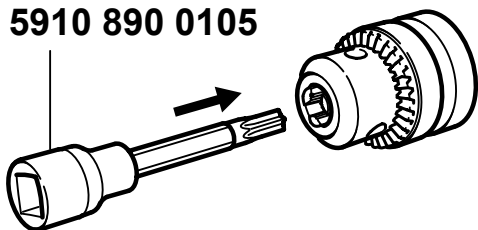


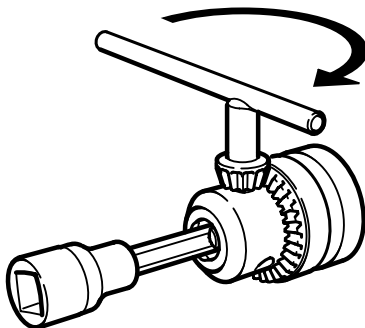
0457 363 0058 B K07

1

5910 890 0105

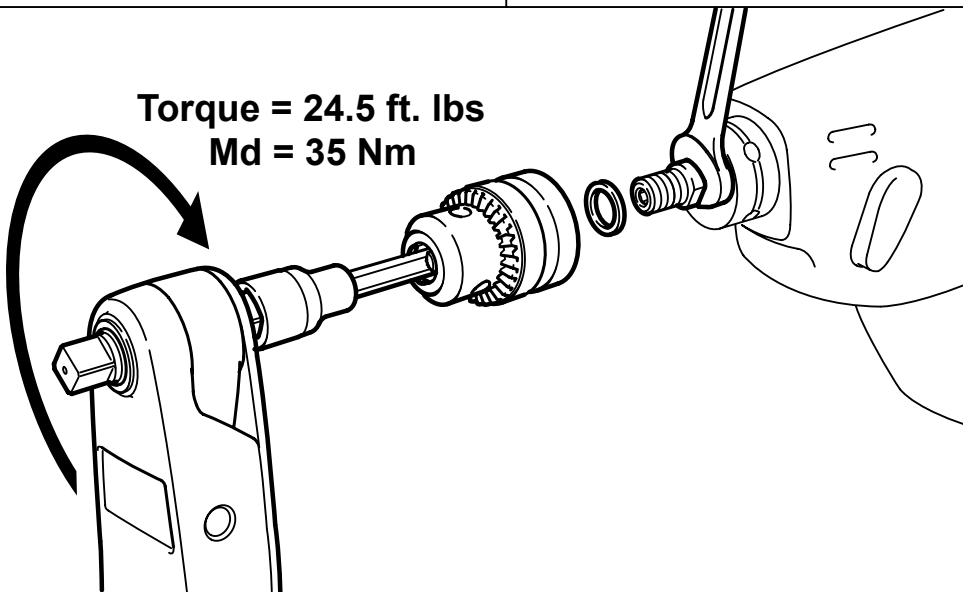


2

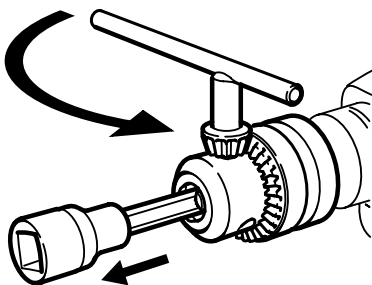


3

Torque = 24.5 ft. lbs
Md = 35 Nm



4



5

Torque = 7 ft. lbs
Md = 10 Nm

