

**STIHL**

# STIHL FSA 57

Instruction Manual





# Contents

<b>1</b>	<b>Introduction</b>	<b>2</b>	<b>8</b>	<b>Adjusting Trimmer for User</b>	<b>17</b>
<b>2</b>	<b>Guide to Using this Manual</b>	<b>2</b>	8.1	Adjusting Length of Shaft	17
2.1	Applicable Documentation	2	8.2	Adjusting the Loop Handle	17
2.2	Symbols used with warnings in the text	3	<b>9</b>	<b>Removing and Fitting the Battery</b>	<b>18</b>
2.3	Symbols in Text	3	9.1	Fitting the Battery	18
<b>3</b>	<b>Overview</b>	<b>3</b>	9.2	Removing the Battery	18
3.1	Trimmer, Battery and Charger	3	<b>10</b>	<b>Switching the Trimmer On/Off</b>	<b>18</b>
3.2	Deflector and Cutting Attachments	4	10.1	Switching On	18
3.3	Symbols	4	10.2	Switching Off	19
<b>4</b>	<b>Safety Precautions</b>	<b>5</b>	<b>11</b>	<b>Testing the Trimmer and Battery</b>	<b>19</b>
4.1	Warning Signs	5	11.1	Checking the Controls	19
4.2	Intended Use	6	11.2	Testing the Battery	19
4.3	The Operator	6	<b>12</b>	<b>Operating the Trimmer</b>	<b>19</b>
4.4	Clothing and Equipment	6	12.1	Holding and Controlling the Trimmer	19
4.5	Work Area and Surroundings	7	12.2	Mowing	20
4.6	Safe Condition	9	12.3	Adjusting Nylon Line	20
4.7	Operation	10	<b>13</b>	<b>After Finishing Work</b>	<b>20</b>
4.8	Charging	11	13.1	After Finishing Work	20
4.9	Connecting to Power Supply	11	<b>14</b>	<b>Transporting</b>	<b>20</b>
4.10	Transporting	12	14.1	Transporting the Trimmer	20
4.11	Storing	13	14.2	Transporting the Battery	20
4.12	Cleaning, Maintenance and Repairs	14	<b>15</b>	<b>Storing</b>	<b>21</b>
<b>5</b>	<b>Preparing Trimmer for Operation</b>	<b>14</b>	15.1	Storing the Trimmer	21
5.1	Preparing Trimmer for Operation	14	15.2	Storing the Battery	21
<b>6</b>	<b>Charging the Battery, LEDs</b>	<b>14</b>	15.3	Storing the Charger	21
6.1	Mounting the Charger on a Wall	14	<b>16</b>	<b>Cleaning</b>	<b>21</b>
6.2	Charging the Battery	15	16.1	Cleaning the Trimmer	21
6.3	State of Charge	15	16.2	Cleaning the Deflector and Cutting Attachment	21
6.4	LEDs on Battery	16	16.3	Cleaning the Battery	22
6.5	LED on Charger	16	16.4	Cleaning the Charger	22
<b>7</b>	<b>Assembling the Trimmer</b>	<b>16</b>	<b>17</b>	<b>Maintenance</b>	<b>22</b>
7.1	Mounting the Deflector	16	17.1	Maintenance Intervals	22
7.2	Mounting and Removing the Mowing Head	16			
7.3	Mounting the Loop Handle	17			

# STIHL

This instruction manual is protected by copyright. All rights reserved, especially the rights to reproduce, translate and process with electronic systems.

<b>18 Repairing</b> .....	<b>22</b>
18.1 Repairing the Trimmer, Battery and Charger .....	22
<b>19 Troubleshooting</b> .....	<b>23</b>
19.1 Troubleshooting Trimmer or Battery .....	23
19.2 Troubleshooting Charger .....	24
<b>20 Specifications</b> .....	<b>25</b>
20.1 STIHL FSA 57 Trimmer .....	25
20.2 STIHL AK Battery .....	25
20.3 Charger STIHL AL 101 .....	25
20.4 Extension Cords .....	25
20.5 Noise and Vibration Data .....	25
20.6 REACH .....	26
<b>21 Combinations of Cutting Attachments and Deflectors</b> .....	<b>26</b>
21.1 STIHL FSA 57 Trimmer .....	26
<b>22 Spare Parts and Accessories</b> .....	<b>26</b>
22.1 Spare Parts and Accessories .....	26
<b>23 Disposal</b> .....	<b>26</b>
23.1 Disposal of Trimmer, Battery and Charger .....	26
<b>24 EC Declaration of Conformity</b> .....	<b>26</b>
24.1 STIHL FSA 57 Trimmer .....	26
24.2 STIHL AL 101 Charger Conformity Notice .....	27

## 1 Introduction

Dear Customer,

Thank you for choosing STIHL. We develop and manufacture our quality products to meet our customers' requirements. The products are designed for reliability even under extreme conditions.

STIHL also stands for premium service quality. Our specialist dealers guarantee competent advice and instruction as well as comprehensive service support.

We thank you for your confidence in us and hope you will enjoy working with your STIHL product.



Dr. Nikolas Stihl

**IMPORTANT: READ BEFORE USE AND KEEP IN A SAFE PLACE.**

## 2 Guide to Using this Manual

### 2.1 Applicable Documentation

Local safety regulations apply.

- ▶ Read, understand and save the following documents in addition to this instruction manual:
  - Instruction manual and packaging of the cutting attachment you are using
  - Safety notices and precautions for STIHL AK battery.
  - Safety information for STIHL batteries and products with built-in batteries: [www.stihl.com/safety-data-sheets](http://www.stihl.com/safety-data-sheets)

## 2.2 Symbols used with warnings in the text

### **WARNING**

This symbol indicates dangers that can cause serious injuries or death.

- ▶ The measures indicated can avoid serious injuries or death.

### **NOTICE**

This symbol indicates dangers that can cause damage to property.

- ▶ The measures indicated can avoid damage to property.

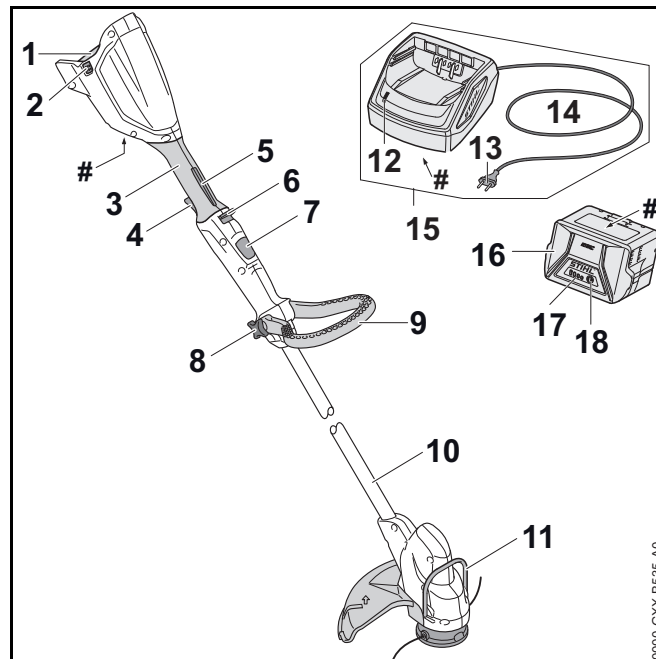
## 2.3 Symbols in Text



This symbol refers to a chapter in this instruction manual.

## 3 Overview

### 3.1 Trimmer, Battery and Charger



#### 1 Battery Compartment

Accommodates the battery.

#### 2 Locking Lever

Secures the battery in the battery compartment.

#### 3 Control Handle

For operating, holding and controlling the trimmer.

#### 4 Trigger

The trigger switches the motor on and off.

#### 5 Trigger Lockout

Unlocks the trigger.

**6 Release Slide**

Operated together with the trigger lockout to unlock the trigger.

**7 Lock Button**

Locks the shaft at the required length.

**8 Star Knob Nut**

Secures loop handle to shaft.

**9 Loop Handle**

For holding and controlling the trimmer.

**10 Shaft**

Connects all components.

**11 Bump Guard**

Helps protect objects from contact with the cutting attachment.

**12 LED**

The LED indicates the operating status of the charger.

**13 Appliance Plug**

Connects cable to wall outlet.

**14 Connecting Cable**

Connects charger to appliance plug.

**15 Charger**

Charges the battery.

**16 Battery**

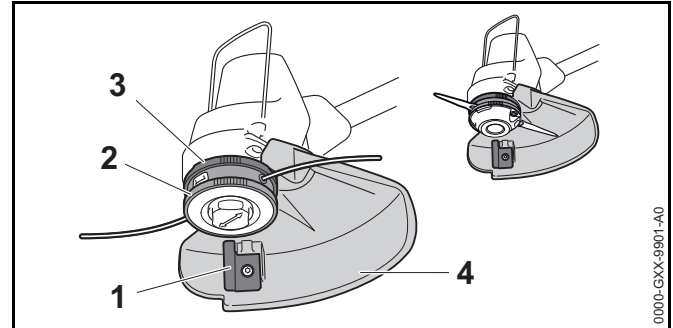
Supplies power to the trimmer.

**17 LEDs**

Indicate battery's state of charge and malfunctions.

**18 Button**

Activates the LEDs on the battery.

**# Rating Label with Serial Number****3.2 Deflector and Cutting Attachments****1 Line Limiting Blade**

Trims nylon lines to correct length.

**2 Mowing Head**

Holds the nylon lines.

**3 Fanwheel**


Cools the electric motor.


**4 Deflector**


Protects user from flying debris and contact with the cutting attachment.

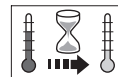
**3.3 Symbols**

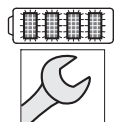
Meanings of symbols that may be on the trimmer, battery and charger:

 This symbol indicates in what direction the release slide has to be pushed.

 This symbol shows the rated speed of the cutting attachment.

 1 LED glows red. Battery too hot or too cold.





4 LEDs flash red. There is a malfunction in the battery.



LED glows green and LEDs on battery glow or flash green. Battery is being charged.



LED flashes red. No electrical contact between battery and charger or malfunction in battery or charger.



**LWA** Guaranteed sound power level according to directive 2000/14/EC in dB(A) in order to make sound emissions of products comparable.



The data next to this symbol indicates the energy content of the battery according to the cell manufacturer's specification. The energy content available during operation is lower.



Operate the electric product in a dry place, indoors only.



Do not dispose of the product with your household waste.

## 4 Safety Precautions

### 4.1 Warning Signs

#### 4.1.1 Warning Signs

Meanings of warning signs and labels on the trimmer, battery and charger:



Observe safety notices and take the necessary precautions.



Read, understand and save the instruction manual.



Wear safety glasses.



Observe safety notices on flying debris and take the necessary precautions.



Always remove the battery during work breaks, transport, storage, maintenance or repairs.



Protect trimmer and charger from rain and dampness.



Maintain safe distance.



Protect battery from heat and fire.



Protect the battery from rain and damp – do not immerse it in fluids.



Observe battery's specified temperature range.

## 4.2 Intended Use

The STIHL FSA 57 trimmer is designed for mowing grass.

The trimmer must not be used in the rain.

The STIHL AK battery supplies power to the trimmer.

The STIHL AL 101 charger recharges the STIHL AK battery.

### **⚠ WARNING**

- Batteries and chargers not explicitly approved for the trimmer by STIHL may cause a fire or explosion. This can result in serious or fatal injuries and damage to property.
  - ▶ Use the trimmer with a STIHL AK battery.
  - ▶ Recharge the STIHL AK battery with a STIHL AL 101, AL 300 or AL 500 charger.
- Using the trimmer, battery or the charger for purposes for which they were not designed may result in serious or fatal injuries, and damage to property may occur.
  - ▶ Use the trimmer, charger and battery as described in this instruction manual.

## 4.3 The Operator

### **⚠ WARNING**

- Users without adequate training or instruction cannot recognize or assess the risks involved in using the trimmer, battery and charger. The user or other persons may sustain serious or fatal injuries.



- ▶ Read, understand and save the instruction manual.

- ▶ If you pass the trimmer, battery and charger on to another person: Always give them the instruction manual.

- ▶ Make sure the user meets the following requirements:
  - The user must be rested.
  - The user must be in good physical condition and mental health to operate and work with the trimmer, battery and charger. If the user's physical, sensory or mental ability is restricted, he or she may work only under the supervision of or as instructed by a responsible person.
  - The user is able to recognize and assess the risks involved in using the trimmer, battery and charger.
  - The user must be of legal age or is being trained in a trade under supervision in accordance with national rules and regulations.
  - The user has received instruction from a STIHL servicing dealer or other experienced user before working with the trimmer for the first time.
  - The user must not be under the influence of alcohol, medication or drugs.
- ▶ If you have any queries: Contact a STIHL servicing dealer for assistance.

## 4.4 Clothing and Equipment

### **⚠ WARNING**

- Objects can be thrown through the air at high speed during operation. This can result in personal injury.





- ▶ Wear close-fitting safety glasses. Suitable safety glasses that have been tested and labeled in accordance with EN 166 or national standards are available from retailers.
- ▶ Wear a face shield.
- ▶ Wear long trousers made of durable material.
- Dust can be whipped up during operation: Whipped up dust can damage the respiratory passages and cause allergic reactions.
  - ▶ Wear a respirator.
- Inappropriate clothing can snag on wood, brush or the trimmer. Not wearing personal protective equipment may result in serious injury.
  - ▶ Wear snug-fitting clothing.
  - ▶ Do not wear a scarf or jewelry.
- The user can come into contact with the rotating cutting attachment during operation. This can result in serious injuries.
  - ▶ Wear footwear made of durable material.
  - ▶ Wear long trousers made of durable material.
- The user can come into contact with the cutting attachment or line limiting blade during cleaning and maintenance work. This can result in personal injury.
  - ▶ Wear work gloves made of durable material.
- Wearing unsuitable footwear may cause you to slip or stumble. This can result in personal injury.
  - ▶ Wear sturdy enclosed footwear with non-slip soles.

## 4.5 Work Area and Surroundings

### 4.5.1 Brushcutter

#### WARNING

- Bystanders, children and animals are not aware of the dangers of the brushcutter and objects being thrown into the air and cannot assess them. Bystanders, children and animals may be seriously injured and property may be damaged.



- ▶ Keep bystanders, children and animals at a distance of 15 m from the working area.

- ▶ Maintain a distance of 15 m from objects.
- ▶ Do not leave the brushcutter unattended.
- ▶ Ensure that children cannot play with the brushcutter.
- The brushcutter is not waterproof. If you work in the rain or in a damp environment, an electric shock may occur. The user may be injured and the brushcutter may be damaged.



- ▶ Do not work in the rain or in a damp environment.

- Electrical components of the brushcutter can produce sparks. Sparks can cause fires and explosions in a flammable or explosive environment. This can result in serious injuries or death and damage to property.
  - ▶ Do not work in a flammable environment or in an explosive environment.

### 4.5.2 Battery

## ⚠ WARNING

- Bystanders, children and animals cannot recognize or assess the dangers of the battery. Bystanders, children and animals may be seriously injured.
  - ▶ Keep bystanders, children and animals away from the work area.
  - ▶ Do not leave the battery unattended.
  - ▶ Make sure that children cannot play with the battery.
- The battery is not protected against all ambient conditions. If the battery is exposed to certain ambient conditions, it may catch fire or explode. This can result in serious injuries and damage to property.



- ▶ Protect battery from heat and fire.
- ▶ Do not throw the battery into a fire.



- ▶ Use and store the battery at temperatures between - 10°C and + 50°C.



- ▶ Protect the battery from rain and damp – do not immerse it in fluids.

- ▶ Keep battery away from metallic objects.
- ▶ Do not expose battery to high pressure.
- ▶ Do not expose battery to microwaves.
- ▶ Protect battery from chemicals and salts.

### 4.5.3 Charger

## ⚠ WARNING

- Innocent children, bystanders and animals are not aware of and cannot assess the dangers of a charger or electric current. Innocent children, bystanders and animals may be seriously injured.
  - ▶ Keep children, bystanders and animals away from the work area.
  - ▶ Do not leave the charger unattended.
  - ▶ Make sure that children cannot play with the charger.
- The charger is not waterproof. Working in the rain or a damp location may result in an electric shock. This can result in injuries to the user and may damage the charger.



- ▶ Do not operate it in the rain or a damp location.

- The charger is not protected against all ambient conditions. If the charger is exposed to certain ambient conditions, it may catch fire or explode. This can result in serious injuries and damage to property.
  - ▶ Operate the charger in a dry place, indoors only.
  - ▶ Do not operate the charger in an easily combustible or explosive environment.
  - ▶ Do not operate the charger on an easily combustible surface.
  - ▶ Use and store the charger at a temperature between +5°C and +40°C.
- Persons may trip over the connecting cable. This can result in injuries and may damage the charger.
  - ▶ Lay the connecting cable flat on the floor.

## 4.6 Safe Condition

### 4.6.1 Trimmer

The trimmer is in a safe condition if the following points are observed:

- The trimmer is not damaged.
- The trimmer is clean and dry.
- The controls function properly and have not been modified.
- A combination of cutting attachment and deflector recommended in this instruction manual is mounted.
- Cutting attachment and deflector are properly mounted.
- Only original STIHL accessories designed for this trimmer are fitted.
- Accessories are properly mounted.

### WARNING

- If components do not comply with safety requirements, they will no longer function properly and safety devices may be rendered inoperative. This can result in serious or fatal injuries.
  - ▶ Work only with an undamaged trimmer.
  - ▶ If the trimmer is dirty or wet: Clean the trimmer and allow it to dry.
  - ▶ Never attempt to modify your trimmer. Exception: Mounting one of the combinations of cutting attachment and deflector recommended in this instruction manual.
  - ▶ If the controls do not function properly: Do not use your trimmer.
  - ▶ Never mount metal cutting attachments.
  - ▶ Only fit original STIHL accessories designed for this trimmer.
  - ▶ Mount the cutting attachment and deflector as described in this instruction manual.
  - ▶ Mount accessories as described in this instruction manual or the instructions supplied with the accessory.

- ▶ Never insert objects in the trimmer's openings.
- ▶ Replace worn or damaged labels.
- ▶ If you have any queries: Contact a STIHL servicing dealer for assistance.

### 4.6.2 Deflector

The deflector is in a safe condition if the following points are observed:

- The deflector is not damaged.
- The line limiter blade is correctly installed.

### WARNING

- If the product does not comply with safety requirements, components will no longer function properly or safety devices may be rendered inoperative. This can result in serious injuries.
  - ▶ Work only with an undamaged deflector.
  - ▶ Work with a correctly installed line limiter blade.
  - ▶ If you have any queries: Contact your STIHL servicing dealer.

### 4.6.3 Mowing Head

The mowing head is in a safe condition if the following points are observed:

- The mowing head is not damaged.
- The mowing head is not jammed.
- The mowing lines are properly installed.

### WARNING

- If they are in an unsafe condition, parts of the mowing head or mowing lines may come off and be thrown at high speed. This can result in serious injuries.
  - ▶ Work only with an undamaged mowing head.
  - ▶ Never use metal elements in place of the nylon mowing lines.

- ▶ If you have any queries: Contact your STIHL servicing dealer for assistance.

#### 4.6.4 Battery

The battery is in safe condition when the following conditions are met:

- The battery is not damaged.
- The battery is clean and dry.
- The battery is working and has not been modified.

### **⚠ WARNING**

- The battery cannot function safely if it is not in safe condition. There is a risk of serious injury to persons.
  - ▶ Use an undamaged and functioning battery.
  - ▶ Do not charge a damaged or defective battery.
  - ▶ If the battery is dirty or wet: clean the battery and allow it to dry.
  - ▶ Do not modify the battery.
  - ▶ Do not insert objects into the apertures in the battery.
  - ▶ Never connect the battery terminals to metallic objects and cause a short circuit.
  - ▶ Do not open the battery.
  - ▶ Replace worn or damaged warning signs.
- Fluid may leak from a damaged battery. If the fluid contacts the skin or eyes, this may cause irritation.
  - ▶ Avoid contact with the fluid.
  - ▶ In the event of contact with the skin: wash the affected areas with plenty of soap and water.
  - ▶ In the event of contact with the eyes: rinse the eyes with plenty of water for at least 15 minutes and seek medical attention.

- A damaged or defective battery may emit an unusual odour, smoke or catch fire. This may result in serious or fatal injury to people and damage to property.
  - ▶ If the battery emits an unusual odour or smoke: do not use the battery and keep it away from flammable materials.
  - ▶ If the battery catches fire: try to extinguish the battery using a fire extinguisher or water.

#### 4.6.5 Charger

The charger is in a safe condition if the following points are observed:

- Charger is undamaged.
- Charger is clean and dry.

### **⚠ WARNING**

- If components do not comply with safety requirements, they will no longer function properly and safety devices may be rendered inoperative. This can result in serious or fatal injuries.
  - ▶ Do not use a damaged charger.
  - ▶ If the charger is dirty or wet: Clean the charger and allow it to dry.
  - ▶ Never attempt to modify the charger.
  - ▶ Never insert objects in the charger's openings.
  - ▶ Never bridge the charger's contacts with metallic objects (short circuit).
  - ▶ Do not open the charger.

#### 4.7 Operation

### **⚠ WARNING**

- The user cannot concentrate on the work in certain situations. The user may stumble, fall and be seriously injured.
  - ▶ Work calmly and carefully.
  - ▶ If light and visibility are poor: Do not use your trimmer.

- ▶ Operate the trimmer alone.
- ▶ Keep the cutting attachment close to the ground.
- ▶ Watch out for obstacles.
- ▶ Stand on the ground while working and keep a good balance.
- ▶ If you begin to feel tired: Take a break.
- The rotating cutting attachment can cut the user. This can result in serious injuries.
  - ▶ Do not touch the rotating cutting attachment.
  - ▶ If the cutting attachment is blocked by an object: Switch off the trimmer and remove the battery. Then remove the object causing the blockage.
- If the behavior of the trimmer changes during operation or feels unusual, it may no longer be in a safe condition. This can result in serious injuries and damage to property.
  - ▶ Stop work, remove the battery and contact your STIHL servicing dealer for assistance.
- Trimmer vibrations may occur during operation.
  - ▶ Wear gloves.
  - ▶ Take regular breaks.
  - ▶ If signs of circulation problems occur: Seek medical advice.
- If the cutting attachment makes contact with a foreign object during operation, the object or parts of it may be thrown at high speed. This may result in personal injuries and damage to property.
  - ▶ Clear away all foreign objects from the work area.
- Note that the cutting attachment continues to rotate for a short period after you release the trigger. This can result in serious injuries.
  - ▶ Wait until the cutting attachment comes to a complete stop.

## 4.8 Charging

### WARNING

- A damaged or defective charger may produce an unusual smell or emit smoke during the charging process. This may result in personal injuries and damage to property.
  - ▶ Disconnect the plug from the wall outlet.
- The charger can overheat and cause a fire if heat dissipation is inadequate. This can result in serious or fatal injuries and damage to property.
  - ▶ Do not cover the charger.

## 4.9 Connecting to Power Supply

Contact with live components may occur for the following reasons:

- The connecting cable or extension cable is damaged.
- Connecting cable plug or extension cable is damaged.
- Wall outlet is not properly installed.


### DANGER

- Contact with live components can result in an electric shock. This can result in serious or fatal injuries.
  - ▶ Check that the connecting cable, extension cable and their plugs are not damaged.



If the connecting cable or extension cable is damaged:

- ▶ Do not touch damaged areas.
- ▶ Disconnect the plug from the wall outlet.
- ▶ Never touch the connecting cable, extension cable or their plugs with wet hands.
- ▶ Insert the plug of the connecting cable or extension cable in a properly installed fused wall outlet with ground contact.
- ▶ Install the charger with a ground fault circuit interrupter (30 mA, 30 ms).

- A damaged or unsuitable extension cable can cause an electric shock. This can result in serious or fatal injuries.
  - ▶ Use an extension cable with the correct wire gauge,  20.4.

## WARNING

- Overvoltage can occur in the charger if the line voltage or frequency are incorrect during charging. The charger may be damaged.
  - ▶ Make sure the line voltage and frequency agree with the data on the charger's rating plate.
- A carelessly laid connecting or extension cable can be damaged and cause others to trip or fall. This can result in injuries and may damage the connecting cable or extension cable.
  - ▶ Position and mark connecting cable and extension cable so they do not represent a trip hazard.
  - ▶ Position the connecting and extension cables so that they are not under tension or entangled.
  - ▶ Position the connecting and extension cables so that they cannot be damaged, kinked, pinched or chafed.
  - ▶ Protect the connecting cable and extension cable from heat, oil and chemicals.
  - ▶ Lay the connecting and extension cables on a dry surface.

- The extension cable becomes hot during operation. If the heat cannot dissipate, it may cause a fire.
  - ▶ If you use a cable drum: Unwind the extension cable to its full length.
- If electric cables or pipes are embedded in the wall, they may be damaged when the charger is mounted on a wall. Contact with electric cables can result in an electric shock. This can result in serious injuries and damage to property.
  - ▶ Check that there are no electric cables or pipes embedded in the wall.
- If the charger is not mounted on the wall as described in this instruction manual, the charger or the battery may fall down or the charger may overheat. This may result in personal injuries and damage to property.
  - ▶ Mount the charger on the wall as described in this instruction manual.
- If the charger is mounted on a wall with the battery inserted, the battery may fall out and be damaged. This may result in personal injuries and damage to property.
  - ▶ Mount the charger on the wall first and then insert the battery.

## 4.10 Transporting

### 4.10.1 Trimmer

## WARNING

- The trimmer may turn over or shift during transport. This may result in personal injuries and damage to property.



- ▶ Remove the battery.
- ▶ Secure the trimmer with lashing straps or a net to prevent it turning over and moving.

### 4.10.2 Battery

## ⚠ WARNING

- The battery is not protected against all ambient conditions. The battery may be damaged if it is exposed to certain ambient conditions and damage to property may occur.
  - ▶ Never transport a damaged battery.
  - ▶ Store the battery in non-conductive packaging.
- The battery may turn over or shift during transport. This may result in personal injuries and damage to property.
  - ▶ Pack the battery in packaging in such a way that it cannot move.
  - ▶ Secure the packaging so that it cannot move.

## 4.11 Storing

### 4.11.1 Trimmer

## ⚠ WARNING

- Children are not aware of and cannot assess the dangers of a trimmer and can be seriously injured.



- ▶ Remove the battery.

- ▶ Store the trimmer out of the reach of children.

- Dampness can corrode the electrical contacts on the trimmer and metal components. This can damage the trimmer.



- ▶ Remove the battery.

- ▶ Store the trimmer in a clean and dry condition.

### 4.11.2 Battery

## ⚠ WARNING

- Children are not aware of and cannot assess the dangers of the battery and can be seriously injured.
  - ▶ Store the battery out of the reach of children.
- The battery is not protected against all ambient conditions. The battery may be damaged if it is exposed to certain ambient conditions.
  - ▶ Store the battery in a clean and dry condition.
  - ▶ Store the battery in a confined space.
  - ▶ Store the battery separately from the trimmer and charger.
  - ▶ Store the battery in non-conductive packaging.
  - ▶ Use and store the battery at temperatures between -10°C and +50°C.

### 4.11.3 Charger

## ⚠ WARNING

- Children are not aware of and cannot assess the dangers of a charger. Children may sustain serious or fatal injuries.
  - ▶ Remove the battery.
  - ▶ Store the charger out of the reach of children.
- The charger is not protected against all ambient conditions. The charger may be damaged if it is exposed to certain ambient conditions.
  - ▶ Remove the battery.
  - ▶ If the charger is hot: Allow charger to cool down.
  - ▶ Store the charger in a clean and dry condition.
  - ▶ Store the charger in a confined space.
  - ▶ Store the charger at a temperature between +5°C and +40°C.

- The connecting cable must not be used for carrying or hanging up the charger. The connecting cable and the charger may be damaged.
  - ▶ Hold the charger by the housing. A recessed handle is provided on the back of the charger.
  - ▶ Hang the charger on the wall bracket.

## 4.12 Cleaning, Maintenance and Repairs

### ⚠ WARNING

- The trimmer may start unintentionally if the battery is left in place during cleaning, maintenance or repair operations. This can result in serious injuries and damage to property.



- ▶ Remove the battery.

- Aggressive cleaning agents, a water jet or pointed objects can damage the trimmer, deflector, cutting attachment, battery and the charger. If the trimmer, deflector, cutting attachment, battery or charger are not cleaned correctly, components may no longer function properly or safety devices may be rendered inoperative. This can result in serious injuries.
  - ▶ Clean the trimmer, deflector, cutting attachment, battery and charger as described in this instruction manual.
- If the trimmer, deflector, cutting attachment, battery and charger are not properly serviced or repaired, components may no longer function properly or safety devices may be rendered inoperative. This can result in serious or fatal injuries.
  - ▶ Do not attempt to service or repair the trimmer, deflector, cutting attachment, battery or charger.
  - ▶ If the trimmer, deflector, cutting attachment, battery or the charger require servicing or repairs: Contact a STIHL servicing dealer for assistance.

## 5 Preparing Trimmer for Operation

### 5.1 Preparing Trimmer for Operation

Perform the following steps before starting work:

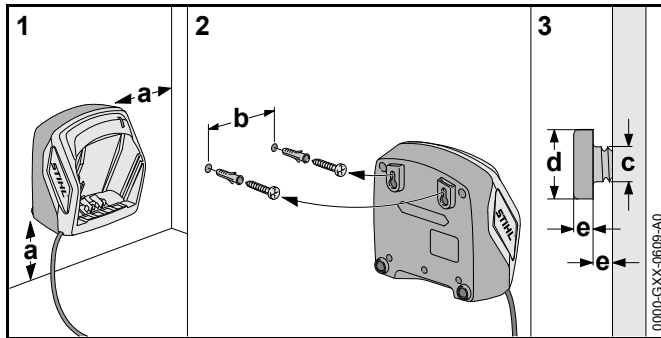
- ▶ Make sure the following components are in a safe condition:
  - Trimmer, 4.6.1.
  - Deflector, 4.6.2.
  - Mowing head, 4.6.3.
  - Battery, 4.6.4.
  - Charger, 4.6.5.
- ▶ Check the battery, 11.2.
- ▶ Fully charge the battery, 6.2.
- ▶ Clean the trimmer, 16.1.
- ▶ Mount the deflector, 7.1.
- ▶ Mount the loop handle, 7.3.
- ▶ Adjust length of shaft, 8.1.
- ▶ Adjust the loop handle, 8.2.
- ▶ Check the controls, 11.1.
  - ▶ If 3 LEDs flash red while you are checking the controls: Remove the battery and contact your STIHL dealer for assistance. There is a malfunction in the trimmer.
- ▶ If you cannot carry out the above steps: Do not use your trimmer and contact your STIHL dealer for assistance.

## 6 Charging the Battery, LEDs

### 6.1 Mounting the Charger on a Wall

The charger can be mounted on a wall.





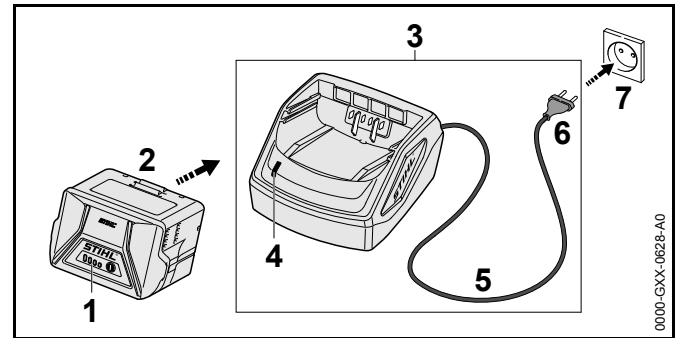
- ▶ Check the following points when mounting the charger on a wall:
  - Suitable fixing materials are used.
  - The charger is level.
  - The following dimensions are maintained:
    - a = at least 100 mm
    - b (for AL 101) = 75 mm
    - b (for AL 300 and AL 500) = 120 mm
    - c = 4.5 mm
    - d = 9 mm
    - e = 2.5 mm

## 6.2 Charging the Battery

The charging time depends on several factors, e.g. temperature of the battery or the ambient temperature. The actual charging time may differ from the specified charging time. For specified charging times see [www.stihl.com/charging-times](http://www.stihl.com/charging-times).

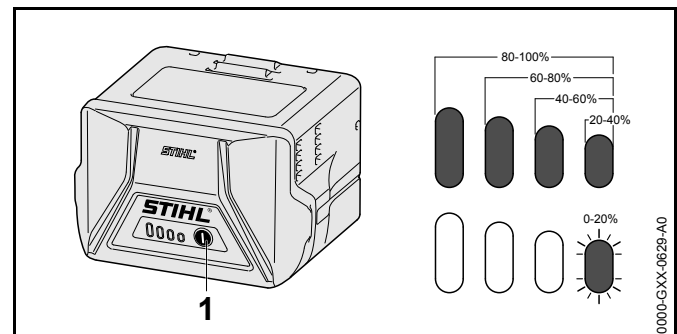
The charging process starts automatically when the plug is inserted in a wall outlet and the battery is fitted in the charger. The charger switches itself off automatically when the battery is fully charged.

The battery and charger heat up during the charging process.



- ▶ Insert the plug (6) in a convenient wall outlet (7). The charger (3) runs a self test. The LED (4) glows green for about 1 second and then red for about 1 second.
- ▶ Lay the connecting cable (5).
- ▶ Insert the battery (2) in the guides in the charger (3) and press it home as far as stop. The LED (4) glows green. The LEDs (1) glow green and the battery (2) is being charged.
- ▶ If the LED (4) and the LEDs (1) stop glowing: Disconnect the plug (6) from the wall outlet (7). Battery is fully charged.
- ▶ Remove the battery (2).

## 6.3 State of Charge




- ▶ Press the button (1). The LEDs (5) glow green for about 5 seconds and indicate the state of charge.

- ▶ If the LED on the right flashes green: Charge the battery.

## 6.4 LEDs on Battery

The LEDs can show the state of charge or malfunctions. The LEDs can glow or flash green or red.

The state of charge is indicated when the LEDs glow or flash green.

- ▶ If the LEDs glow or flash red: Troubleshooting,  19. Malfunction in trimmer or battery.

## 6.5 LED on Charger

The LED indicates the operating status of the charger.

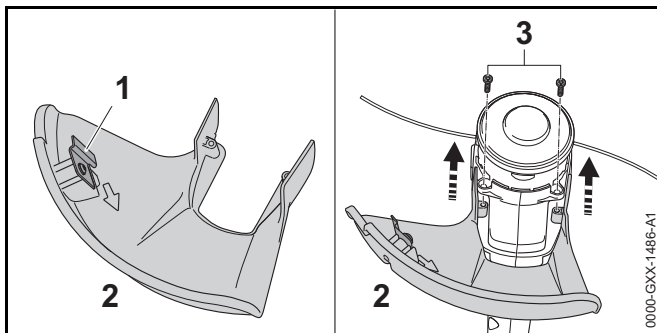
If the LED glows green, the battery is being charged.

- ▶ If the LED flashes red: Rectify the malfunction. Malfunction in charger.

# 7 Assembling the Trimmer

## 7.1 Mounting the Deflector

- ▶ Switch off the trimmer and remove the battery.



The line limiting blade (1) is already installed in the deflector (2) and must not be removed.

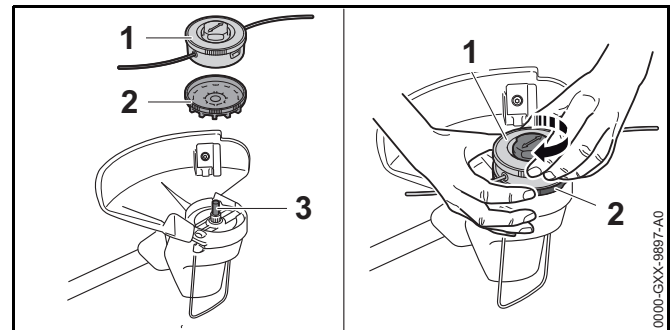
- ▶ Push the deflector (2) into the guides on the housing as far as stop. The deflector (2) is tight against the housing.

- ▶ Insert and tighten down the screws (3) firmly. The deflector (2) must not be removed again.

## 7.2 Mounting and Removing the Mowing Head

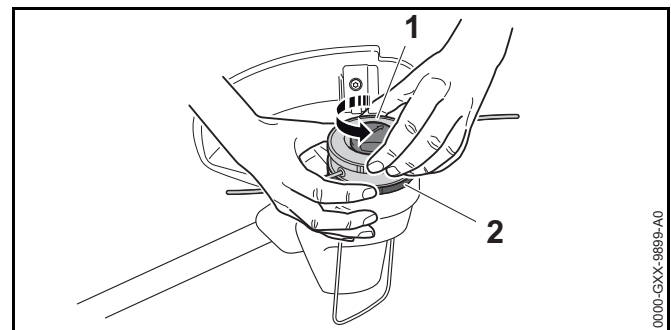
### 7.2.1 Mounting the Mowing Head

- ▶ Switch off the trimmer and remove the battery.



- ▶ Fit the fanwheel (2) on the shaft (3) with fan blades facing down. If the fanwheel is not fitted, the motor will not be cooled properly and the trimmer will cut out during operation.
- ▶ Hold fanwheel (2) steady with one hand.
- ▶ Fit the mowing head (1) on the shaft (3), turn it counterclockwise by hand and tighten it down firmly.

### 7.2.2 Removing the Mowing Head

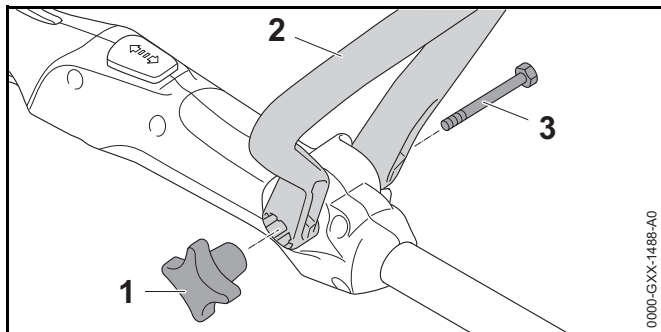


- ▶ Switch off the trimmer and remove the battery.

- ▶ Hold fanwheel (2) steady with one hand.
- ▶ Unscrew the mowing head (1) counterclockwise.
- ▶ Remove the fanwheel.

### 7.3 Mounting the Loop Handle

- ▶ Switch off the trimmer and remove the battery.



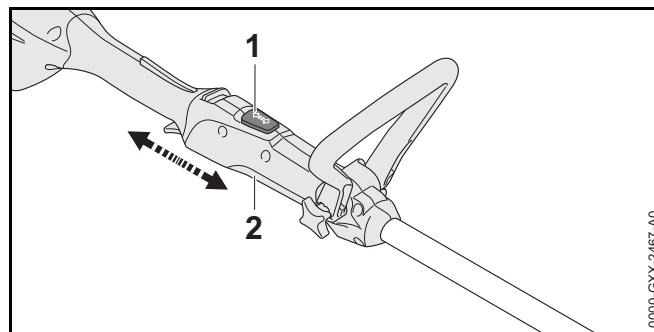
- ▶ Line up the loop handle (2) so that the recess for the star knob nut (1) is on the right of the control handle and the openings in the loop handle (2) are facing the operator.
  - ▶ Ease the ends of the loop handle (2) apart and push it onto the control handle until it engages in position.
  - ▶ Insert the screw (3) through the hole.
  - ▶ Fit the star knob nut (1) and tighten it down.
- The loop handle (2) must not be removed again.

## 8 Adjusting Trimmer for User

### 8.1 Adjusting Length of Shaft

The length of the shaft can be adjusted to suit the height and reach of the user.

- ▶ Switch off the trimmer and remove the battery.
- ▶ Hold the shaft firmly.

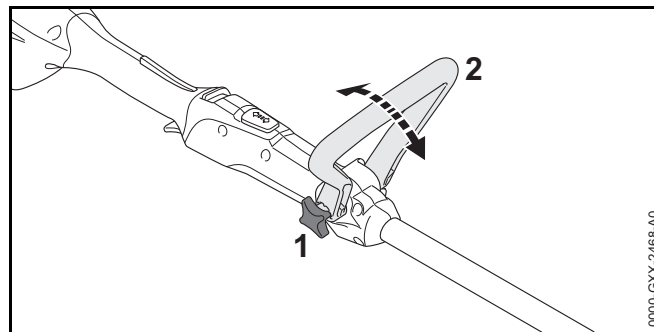


- ▶ Depress lock button (1) and hold it in that position.
- ▶ Pull or push the control handle (2) to the required position.
- ▶ Release the lock button (1).
- ▶ Move the control handle (2) back and forth until it engages.

### 8.2 Adjusting the Loop Handle

The loop handle can be set in different positions to suit the height and reach of the user.

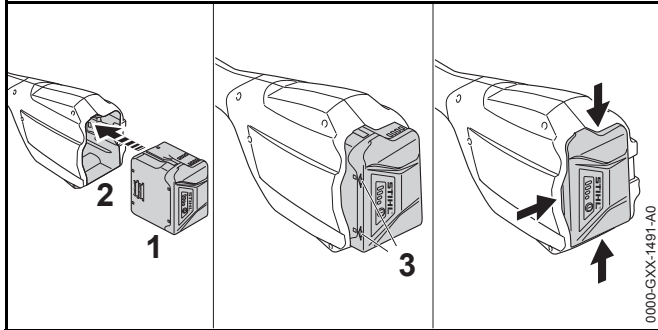
- ▶ Switch off the trimmer and remove the battery.



- ▶ Loosen the star knob nut (1).
- ▶ Swing the loop handle (2) to the required position.
- ▶ Tighten down the star knob nut (1) firmly.

## 9 Removing and Fitting the Battery

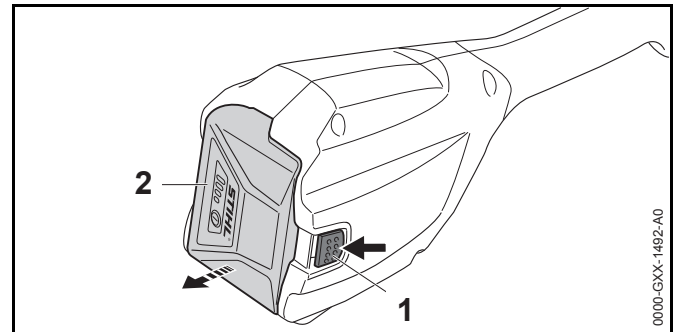
### 9.1 Fitting the Battery



- ▶ Insert the battery (1) in the battery compartment (2) and press it home until you hear a click. Arrows (3) on battery (1) are still visible and battery (1) is held securely in battery compartment (2). There is no electrical contact between the trimmer and battery (1).
- ▶ Push the battery (1) into the battery compartment (2) as far as stop. The battery (1) engages with a second click and is flush with the trimmer's housing.

### 9.2 Removing the Battery

- ▶ Stand the trimmer on a level surface.
- ▶ Hold one hand in front of the battery compartment to ensure the battery does not fall out.

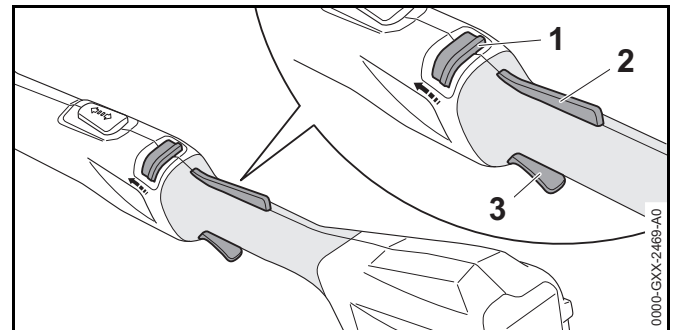


- ▶ Press the locking lever (1) with your other hand. The battery (2) is unlocked and can be removed.

## 10 Switching the Trimmer On/Off

### 10.1 Switching On

- ▶ Hold the trimmer firmly with one hand on the control handle – wrap your thumb around the handle.
- ▶ Hold the trimmer firmly with the other hand on the loop handle – wrap your thumb around the handle.



- ▶ Push the release slide (1) in the direction of the loop handle with your thumb and hold it there.
- ▶ Depress the trigger lockout (2) with your hand and hold it there. You can let go of the release slide (1).

- ▶ Pull the trigger (3) with your index finger and hold it there. The motor accelerates and the cutting attachment rotates.

## 10.2 Switching Off

- ▶ Release the trigger and lockout lever at the same time.
- ▶ Wait for the cutting attachment to come to a standstill.
- ▶ If the cutting attachment continues to rotate: Remove the battery and contact your STIHL servicing dealer. The trimmer has a malfunction.

# 11 Testing the Trimmer and Battery

## 11.1 Checking the Controls

### Release slide, trigger lockout and trigger

- ▶ Remove the battery.
- ▶ Attempt to pull the trigger lever without depressing the release slide and the trigger lockout.
- ▶ If the trigger can be pulled: Do not use your trimmer and contact your STIHL dealer for assistance. Release slide or trigger lockout is faulty.
- ▶ Push the release slide (1) in the direction of the loop handle with your thumb and hold it there.
- ▶ Depress the trigger lockout lever and hold it in that position.
- ▶ Pull the trigger.
- ▶ Let go of the trigger, trigger lockout and release slide.
- ▶ If the trigger, trigger lockout or release slide is stiff or does not spring back to the idle position: Do not use your trimmer and contact your STIHL dealer for assistance. The trigger, trigger lockout or release slide has a malfunction.

### Switching on the trimmer

- ▶ Fit the battery.
- ▶ Push the release slide (1) in the direction of the loop handle with your thumb and hold it there.

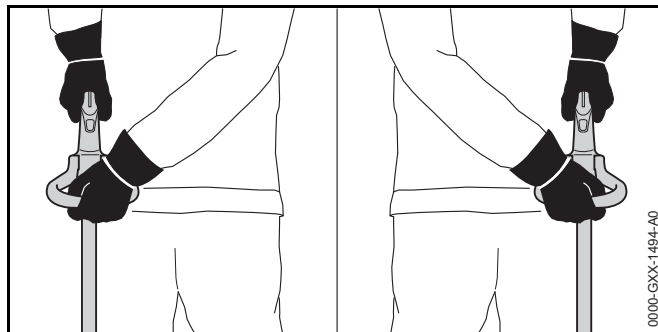
- ▶ Depress the trigger lockout lever and hold it in that position.
- ▶ Pull the trigger and hold it there. The cutting attachment rotates.
- ▶ If 3 LEDs flash red: Remove the battery and contact your STIHL dealer for assistance. There is a malfunction in the trimmer.
- ▶ Release the trigger. The cutting attachment stops rotating after a brief delay.
- ▶ If the cutting attachment continues to rotate: Remove the battery and contact your STIHL dealer for assistance. The trimmer has a malfunction.

## 11.2 Testing the Battery

- ▶ Press button on battery. The LEDs glow or flash.
- ▶ If the LEDs do not glow or flash: Do not use the battery and contact your STIHL servicing dealer. There is a malfunction in the battery.

# 12 Operating the Trimmer

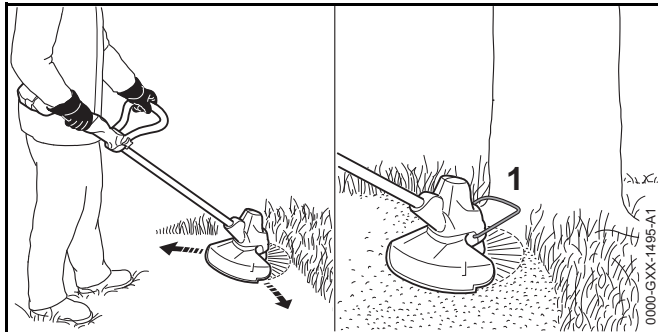
## 12.1 Holding and Controlling the Trimmer



- ▶ Hold the trimmer with one hand on the control handle - wrap your thumb around the control handle.
- ▶ Hold the trimmer with the other hand on the loop handle - wrap your thumb around the loop handle.

## 12.2 Mowing

The cutting height is determined by the distance of the cutting attachment from the ground.



- ▶ Swing the trimmer back and forth in an arc.
- ▶ Walk slowly and steadily forwards.
- ▶ If you work with a bump guard: Extend the bump guard (1) fully.

## 12.3 Adjusting Nylon Line

- ▶ Tap the rotating mowing head on the ground. About 30 mm of fresh nylon line is advanced.

The line limiting blade in the deflector trims the mowing lines to the correct length.

Automatic feed does not operate if the mowing lines are shorter than 25 mm.

- ▶ Switch off the trimmer and remove the battery.
- ▶ Press the button on the mowing head and hold it depressed.
- ▶ Pull out the mowing lines.
- ▶ If the mowing lines cannot be pulled out to required length: Install a new spool with mowing line. The spool is empty.

## 13 After Finishing Work

### 13.1 After Finishing Work

- ▶ Switch off the trimmer and remove the battery.
- ▶ If the trimmer is wet: Allow the trimmer to dry.
- ▶ If the battery is wet: Allow the battery to dry.
- ▶ Clean the trimmer.
- ▶ Clean the deflector.
- ▶ Clean the cutting attachment.
- ▶ Clean the battery.

## 14 Transporting

### 14.1 Transporting the Trimmer

- ▶ Switch off the trimmer and remove the battery.
- ▶ Adjust shaft to its shortest length.
- ▶ Carry the trimmer properly balanced by the shaft with the cutting attachment behind you.
- ▶ Transporting the trimmer in a vehicle: Secure the trimmer to prevent turnover and movement.

### 14.2 Transporting the Battery

- ▶ Switch off the trimmer and remove the battery.
- ▶ Make sure the battery is in a safe condition.
- ▶ Observe the following points when packing the battery:
  - The packaging must be non-conductive.
  - Make sure the battery cannot shift inside the packaging.
- ▶ Secure the packaging so that it cannot move.

The battery is subject to the requirements for the transport of dangerous goods. The battery is classified as UN 3480 (lithium-ion batteries) and has been tested in accordance with UN Manual of Tests and Criteria, Part III, sub-section 38.3.

For transport regulations see [www.stihl.com/safety-data-sheets](http://www.stihl.com/safety-data-sheets)

## 15 Storing

### 15.1 Storing the Trimmer

- ▶ Switch off the trimmer and remove the battery.
- ▶ Remove the spool.
- ▶ Observe the following points when storing the trimmer:
  - The trimmer is out of the reach of children.
  - The trimmer is clean and dry.

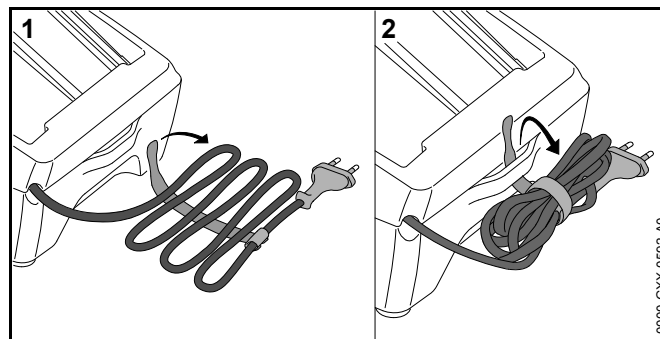
### 15.2 Storing the Battery

STIHL recommends that you store the battery with a charge between 40 % and 60 % (2 LEDs glow green).

- ▶ Observe the following points when storing the battery:
  - Battery is out of the reach of children.
  - Battery is clean and dry.
  - Battery is in an enclosed space.
  - Store the battery separately from the trimmer and charger.
  - Battery is in non-conductive packaging.
  - Battery is in a temperature range between  $-10^{\circ}\text{C}$  and  $+50^{\circ}\text{C}$ .

### 15.3 Storing the Charger

- ▶ Unplug the mains plug from the socket.
- ▶ Remove the battery.



- ▶ Roll up the connecting cord and attach it to the charger.
- ▶ The charger should be stored in such a way that the following conditions are met:
  - The charger is out of the reach of children.
  - The charger is clean and dry.
  - The charger is in an enclosed room.
  - The charger is separate from the battery.
  - The charger is not hung up by the connecting cord.
  - The charger is stored at temperatures between  $+5^{\circ}\text{C}$  and  $+40^{\circ}\text{C}$ .

## 16 Cleaning

### 16.1 Cleaning the Trimmer

- ▶ Switch off the trimmer and remove the battery.
- ▶ Clean the trimmer with a damp cloth.
- ▶ Remove foreign matter from the battery compartment and clean the battery compartment with a damp cloth.
- ▶ Clean electrical contacts in the battery compartment with a soft brush.
- ▶ Clean the area underneath the fanwheel with a soft brush.

### 16.2 Cleaning the Deflector and Cutting Attachment

- ▶ Switch off the trimmer and remove the battery.

- ▶ Clean the deflector and cutting attachment with a damp cloth or a soft brush.

### 16.3 Cleaning the Battery

- ▶ Clean the battery with a damp cloth.

### 16.4 Cleaning the Charger

- ▶ Disconnect the plug from the wall outlet.
- ▶ Clean the charger with a damp cloth.
- ▶ Clean the charger's electrical contacts with a soft brush.

- ▶ If the connecting cable has a malfunction or is damaged: Do not use the charger and have connecting cable replaced by a STIHL servicing dealer.

## 17 Maintenance

### 17.1 Maintenance Intervals

The maintenance intervals are dependent on the environmental and operating conditions. STIHL recommends the following maintenance intervals:

#### Every 12 months

- ▶ Have the trimmer checked by a STIHL servicing dealer.

## 18 Repairing

### 18.1 Repairing the Trimmer, Battery and Charger

The trimmer, cutting attachment, battery and charger are not user serviceable.

- ▶ If the trimmer or cutting attachment is damaged: Do not use your trimmer or cutting attachment and contact your STIHL servicing dealer.
- ▶ If the battery has a malfunction or is damaged: Replace the battery.
- ▶ If the charger has a malfunction or is damaged: Replace the charger.



## 19 Troubleshooting

### 19.1 Troubleshooting Trimmer or Battery

Condition	LEDs on Battery	Cause	Remedy
Trimmer does not start when switched on.	1 LED flashes green.	Battery has low charge.	▶ Charge the battery.
	1 LED glows red.	Battery too hot or too cold.	▶ Remove the battery. ▶ Allow battery to cool down or warm up.
	3 LEDs flash red.	There is a malfunction in the trimmer.	▶ Remove the battery. ▶ Clean contacts in battery compartment. ▶ Fit the battery. ▶ Switch on the trimmer. ▶ If 3 LEDs continue to flash red: Do not use your trimmer and contact your STIHL dealer for assistance.
	3 LEDs glow red.	Trimmer is too hot.	▶ Remove the battery. ▶ Allow trimmer to cool down.
	4 LEDs flash red	There is a malfunction in the battery.	▶ Remove battery and insert it again. ▶ Switch on the trimmer. ▶ If 4 LEDs continue to flash red: Do not use the battery and contact your STIHL dealer for assistance.
		No electrical contact between trimmer and battery.	▶ Remove the battery. ▶ Clean contacts in battery compartment. ▶ Fit the battery.
		Trimmer or battery damp.	▶ Allow trimmer or battery to dry.
Trimmer cuts out during operation.	3 LEDs glow red.	Trimmer is too hot.	▶ Remove the battery. ▶ Allow trimmer to cool down.
		There is a electrical malfunction.	▶ Remove battery and insert it again. ▶ Switch on the trimmer.
Trimmer runtime is too short.		Battery not fully charged.	▶ Fully charge the battery.

Condition	LEDs on Battery	Cause	Remedy
		Normal battery life has been exceeded.	▶ Replace the battery.
Mowing head cannot be unscrewed by hand.		Mowing head overtightened.	▶ Block the fanwheel with the stop pin. ▶ Unscrew mowing head by hand. ▶ Remove stop pin.
Charge process does not start when battery is inserted in the charger.	1 LED glows red.	Battery too hot or too cold.	▶ Leave battery in the charger. Charge process starts automatically as soon as permissible temperature range is reached.

## 19.2 Troubleshooting Charger

Condition	LED on Charger	Cause	Remedy
Battery not being charged.	LED flashes red.	No electrical contact between charger and battery.	▶ Remove the battery. ▶ Clean contacts on charger. ▶ Fit the battery.
		Malfunction in charger.	▶ Do not use the charger and contact your STIHL servicing dealer.

## 20 Specifications

### 20.1 STIHL FSA 57 Trimmer

- Approved battery: STIHL AK
- Weight without battery, cutting attachment and deflector: 2,4 kg
- Length without cutting attachment: 1490 mm up to 1690 mm

For battery life see [www.stihl.com/battery-life](http://www.stihl.com/battery-life).

### 20.2 STIHL AK Battery

- Battery technology: Lithium-ion
- Voltage: 36 V
- Capacity in Ah: see rating label
- Energy content in Wh: see rating label
- Weight in kg: see rating label
- Permissible temperature range for operation and storage: -10°C to +50°C

### 20.3 Charger STIHL AL 101

- Rated voltage: see rating plate
- Frequency: see rating plate
- Rated power: see rating plate
- Charging current: see rating plate
- Permissible temperature range for use and storage: + 5 °C to + 40 °C

The charging times are indicated at [www.stihl.com/charging-times](http://www.stihl.com/charging-times).

### 20.4 Extension Cords

If an extension cord is used, the cross sectional area of its conductors must meet the following minimum requirements – depending on the line voltage and length of the extension cord:

#### If rated voltage on the rating label is 220V to 240V:

- Cord length up to 20 m: AWG 15 / 1.5 mm<sup>2</sup>
- Cord length 20 m up to 50 m: AWG 13 / 2.5 mm<sup>2</sup>

#### If rated voltage on the rating label is 100V to 127V:

- Cord length up to 10 m: AWG 14 / 2.0 mm<sup>2</sup>
- Cord length 10 m up to 30 m: AWG 12 / 3.5 mm<sup>2</sup>

### 20.5 Noise and Vibration Data

K-value (uncertainty) for sound pressure levels is 2 dB(A).  
K-value (uncertainty) for sound power levels is 2 dB(A).  
K-value (uncertainty) for vibration levels is 2 m/s<sup>2</sup>.

STIHL recommends that you wear hearing protection.

- Sound pressure level  $L_{pA}$  measured according to EN 50636-2-91: 74 dB(A)
- Sound power level  $L_{WA}$  measured according to EN 50636-2-91: 89 dB(A)
- Vibration measurement  $a_{hv}$  measured according to EN 50636-2-91; control handle and loop handle: 4,0 m/s<sup>2</sup>

The vibration values quoted above have been measured according to a standardized test procedure and may be used to compare electric power tools. Depending on the type of usage, the vibrations that actually occur may differ from the values quoted. The vibration values quoted may be used for an initial assessment of the user's exposure to vibrations. The actual exposure to vibrations has to be estimated. This process may also take into account times during which the electric power tool is switched off and times during which it is switched on but running off load.

For information on compliance with Vibration Directive 2002/44/EC visit [www.stihl.com/vib](http://www.stihl.com/vib).

## 20.6 REACH

REACH is an EC regulation and stands for the Registration, Evaluation, Authorisation and Restriction of Chemical substances.

For information on compliance with the REACH regulation see [www.stihl.com/reach](http://www.stihl.com/reach).

## 21 Combinations of Cutting Attachments and Deflectors


### 21.1 STIHL FSA 57 Trimmer

The following mowing heads may be mounted with the deflector:

- STIHL AutoCut C 3-2 mowing head:
  - with round, low-noise trimmer line with a diameter of 1.6 mm or 2.0 mm
- PolyCut 3-2 mowing head:
  - with cutting blades

## 22 Spare Parts and Accessories

### 22.1 Spare Parts and Accessories

**STIHL**  These symbols identify original STIHL replacement parts and original STIHL accessories.

STIHL recommends the use of original STIHL replacement parts and accessories.

Original STIHL replacement parts and original STIHL accessories are available from STIHL servicing dealers.

## 23 Disposal

### 23.1 Disposal of Trimmer, Battery and Charger

Contact your STIHL servicing dealer for information on disposal.

- ▶ Dispose of the trimmer, deflector, cutting attachment, battery, charger, accessories and packaging in accordance with local regulations and environmental requirements.

## 24 EC Declaration of Conformity

### 24.1 STIHL FSA 57 Trimmer

ANDREAS STIHL AG & Co. KG  
Badstrasse 115  
D-71336 Waiblingen  
Germany

declare in exclusive responsibility that

- Category: Cordless electric trimmer
- Make: STIHL
- Model: FSA 57
- Serial identification: 4522

conforms to the relevant provisions of Directives 2011/65/EU, 2006/42/EC, 2014/30/EU and 2000/14/EC and has been developed and manufactured in compliance with the following standards in the versions valid on the date of production: EN 55014-1, EN 55014-2, EN 60335-1 and EN ISO 12100 taking EN 50636-2-91 into account.

The measured and guaranteed sound power levels were determined according to Directive 2000/14/EC, Annex V.

Notified body involved: TÜV Rheinland Product Safety GmbH, Am Grauen Stein, 51105 Cologne, Germany

- Measured sound power level: 89 dB(A)
- Guaranteed sound power level: 91 dB(A)

Technical documents are deposited at ANDREAS STIHL AG & Co. KG Produktzulassung (Product Licensing).

The year of manufacture, country of manufacture and serial number are applied to the trimmer.

Done at Waiblingen, 28.10.2019

ANDREAS STIHL AG & Co. KG

A handwritten signature in black ink, reading "Thomas Elsner". The signature is written in a cursive, flowing style.

Thomas Elsner, Director Product Management and Services

## **24.2 STIHL AL 101 Charger Conformity Notice**

This charger has been manufactured and put on the market in accordance with the following directives: 2014/35/EU, 2014/30/EU and 2011/65/EU.

The year of manufacture, country of manufacture and serial number are applied to the blower.

The complete EC Declaration of Conformity is available from ANDREAS STIHL AG & Co. KG, Badstrasse 115, 71336 Waiblingen, Germany.





0458-806-0121-A

englisch



[www.stihl.com](http://www.stihl.com)



0458-806-0121-A