

STIHL

STIHL FSE 52

Instruction Manual



Contents

1	Introduction	2	9	Switching the Trimmer On/Off	15
2	Guide to Using this Manual	2	9.1	Switching On	15
2.1	Applicable Documentation	2	9.2	Switching Off	15
2.2	Symbols used with warnings in the text	3	10	Testing the Trimmer	15
2.3	Symbols in Text	3	10.1	Checking the controls	15
3	Overview	3	11	Operating the Trimmer	16
3.1	Trimmer	3	11.1	Holding and Controlling the Trimmer	16
3.2	Deflector and Cutting Attachments	4	11.2	Mowing	16
3.3	Symbols	4	11.3	Adjusting Nylon Line	16
4	Safety Precautions	5	12	After Finishing Work	17
4.1	Warning Signs	5	12.1	After Finishing Work	17
4.2	Intended Use	5	13	Transporting	17
4.3	The Operator	5	13.1	Transporting the brushcutter	17
4.4	Clothing and equipment	6	14	Storing	17
4.5	Trimmer	6	14.1	Storing the Trimmer	17
4.6	Safe Condition	7	15	Cleaning	17
4.7	Working	8	15.1	Cleaning the Brushcutter	17
4.8	Connecting to Power Supply	9	15.2	Cleaning the Deflector and Cutting Attachment	17
4.9	Transporting	10	16	Maintenance	17
4.10	Storing	10	16.1	Maintenance Intervals	17
4.11	Cleaning, Maintenance and Repair	11	17	Repairing	17
5	Preparing Trimmer for Operation	11	17.1	Repairing the Trimmer and Cutting Attachment	17
5.1	Preparing Trimmer for Operation	11	18	Troubleshooting	18
6	Assembling the Trimmer	11	18.1	Troubleshooting Trimmer	18
6.1	Mounting the Deflector	11	19	Specifications	19
6.2	Mounting and Removing the Mowing Head	12	19.1	STIHL FSE 52 Trimmer	19
6.3	Mounting the Loop Handle	13	19.2	Extension Cords	19
7	Adjusting Trimmer for User	13	19.3	Noise and Vibration Data	19
7.1	Adjusting Length of Shaft	13	19.4	REACH	19
7.2	Adjusting Angle of Control Handle	14	20	Combinations of Cutting Attachments and Deflectors	20
7.3	Adjusting the Loop Handle	14	20.1	STIHL FSE 52 Trimmer	20
8	Connecting to Power Supply	14			
8.1	Connecting Trimmer to Power Supply	14			

STIHL

This instruction manual is protected by copyright. All rights reserved, especially the rights to reproduce, translate and process with electronic systems.

21 Spare Parts and Accessories	20
21.1 Spare parts and accessories	20
22 Disposal	20
22.1 Disposing of Brushcutter	20
23 EC Declaration of Conformity	20
23.1 STIHL FSE 52 Brushcutter	20
24 UKCA Declaration of Conformity	21
24.1 STIHL FSE 52 Brushcutter	21

1 Introduction

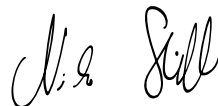
Dear Customer,

Thank you for choosing STIHL. We develop and manufacture our quality products to meet our customers' requirements. The products are designed for reliability even under extreme conditions.

STIHL also stands for premium service quality. Our dealers guarantee competent advice and instruction as well as comprehensive service support.

STIHL expressly commit themselves to a sustainable and responsible handling of natural resources. This user manual is intended to help you use your STIHL product safely and in an environmentally friendly manner over a long service life.

We thank you for your confidence in us and hope you will enjoy working with your STIHL product.



Dr. Nikolas Stihl

IMPORTANT! READ BEFORE USING AND KEEP IN A SAFE PLACE FOR REFERENCE.

2 Guide to Using this Manual

2.1 Applicable Documentation

Local safety regulations apply.

- ▶ Read, understand and save the following documents in addition to this instruction manual:
 - Instruction manual and packaging of the cutting attachment you are using

2.2 Symbols used with warnings in the text

WARNING

This symbol indicates dangers that can cause serious injuries or death.

- ▶ The measures indicated can avoid serious injuries or death.

NOTICE

This symbol indicates dangers that can cause damage to property.

- ▶ The measures indicated can avoid damage to property.

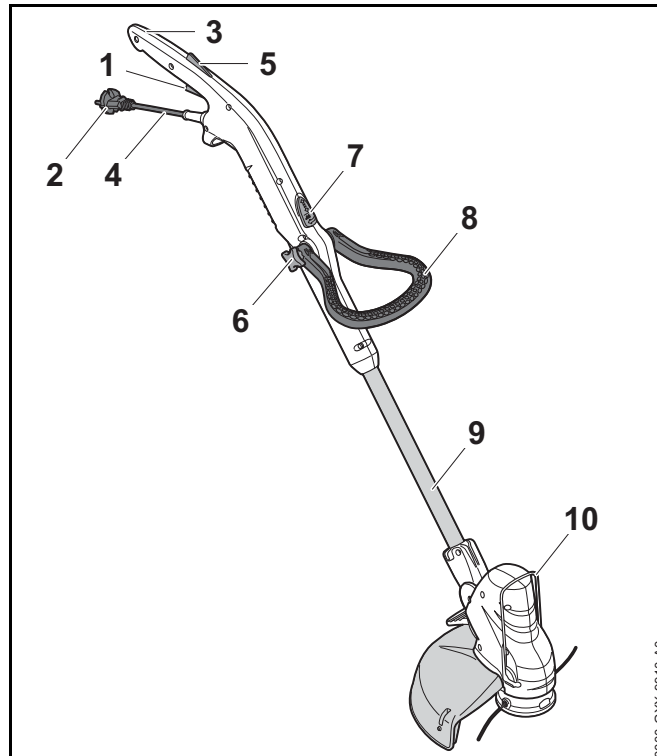
2.3 Symbols in Text



This symbol refers to a chapter in this instruction manual.

3 Overview

3.1 Trimmer



1 Trigger

The trigger switches the motor on and off.

2 Appliance Plug

Connects connecting cable to extension cable.

3 Control Handle

For operating, holding and controlling the trimmer.

4 Connecting Cable

Connects trimmer to appliance plug.

5 Trigger Lockout

Unlocks the trigger.

6 Star Knob Nut

Secures loop handle to shaft.

7 Lock Button

Locks the shaft at the required length.

8 Loop Handle

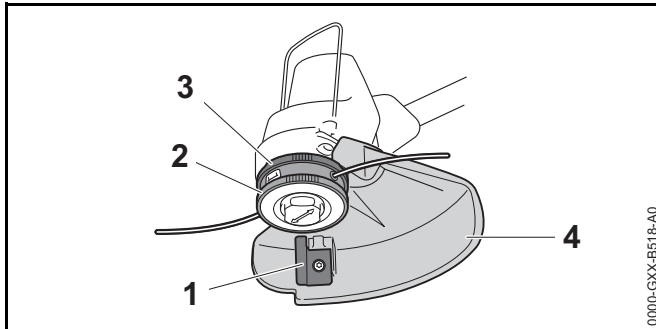
For holding and controlling the trimmer.

9 Shaft

Connects all components.

10 Bump Guard

Helps protect objects from contact with the cutting attachment.

Rating Label with Serial Number**3.2 Deflector and Cutting Attachments****Trimmer with fanwheel****1 Line Limiting Blade**

Trims nylon lines to correct length.

2 Mowing Head

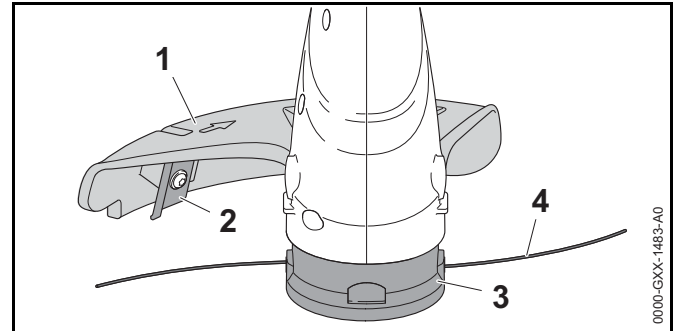
Holds the nylon lines.

3 Fanwheel

Cools the electric motor.

4 Deflector

Protects user from flying debris and contact with the cutting attachment.

Trimmer without fanwheel**1 Deflector**

Protects user from flying debris and contact with the cutting attachment.

2 Line Limiting Blade

Trims nylon lines to correct length.

3 Mowing Head

Accommodates the nylon lines.

4 Mowing Line

The mowing lines cut grass.

3.3 Symbols

Meanings of symbols that may be on the trimmer:



This symbol indicates that the length of the shaft is adjustable.



This symbol indicates that the control handle can be rotated 90°.



LWA Guaranteed sound power level according to directive 2000/14/EC in dB(A) in order to make sound emissions of products comparable.



Do not dispose of the product with your household waste.

4 Safety Precautions

4.1 Warning Signs

4.1.1 Warning Symbols

Meanings of warning signs on the trimmer:



Observe safety notices and take the necessary precautions.



Read, understand and save the instruction manual.



Wear safety glasses.



If the connecting cable or extension cable is damaged: Disconnect the plug from the wall outlet.



Wait until the cutting attachment comes to a complete stop.



Protect the trimmer from rain and dampness.



Maintain safe distance.

4.2 Intended Use

The STIHL FSE 52 trimmer is designed for mowing grass.

The trimmer must not be used in the rain.

⚠ WARNING

- Using the trimmer for purposes for which it is not designed may result in serious or fatal injuries and damage to property.
 - ▶ Use the trimmer with an extension cable.
 - ▶ Use the trimmer as described in this instruction manual.

4.3 The Operator

⚠ WARNING

- Users who have had no instruction cannot recognize or assess the risks involved in using the trimmer. The user or other persons may sustain serious or fatal injuries.



- ▶ Read, understand and save the instruction manual.

- ▶ If the trimmer is passed on to another user: Always give them the instruction manual.
- ▶ Make sure the user meets the following requirements:
 - The user must be rested.
 - The user must be in good physical condition and mental health to operate and work with the trimmer. If the user's physical, sensory or mental ability is

restricted, he or she may work only under the supervision of or as instructed by a responsible person.

- The user is able to recognize and assess the risks involved in using the trimmer.
 - The user must be of legal age or is being trained in a trade under supervision in accordance with national rules and regulations.
 - The user has received instruction from a STIHL servicing dealer or other experienced user before working with the trimmer for the first time.
 - The user must not be under the influence of alcohol, medication or drugs.
- ▶ If you have any queries: Contact a STIHL servicing dealer for assistance.

4.4 Clothing and equipment

⚠ WARNING

- Objects can be thrown at high speed during operation. This may result in injury to the user.
 - ▶ Wear close-fitting safety glasses. Suitable safety glasses are tested in accordance with EN 166 or national regulations and available commercially with the corresponding marking.
- ▶ Wear face protection.
- ▶ Wear long trousers made from resistant material.



- Dust can be whipped up during operation. Whipped up dust can damage the respiratory passages and cause allergic reactions.
 - ▶ If dust is generated: Wear a dust respirator mask.
- Inappropriate clothing can snag on wood, brush or the brushcutter. Users not wearing suitable clothing are at risk of serious injury.
 - ▶ Wear close-fitting clothing.
 - ▶ Remove scarves and jewelry.
- The user may come into contact with the rotating cutting attachment during operation. This may result in serious injury to the user.
 - ▶ Wear robust footwear.
 - ▶ Wear long trousers made from resistant material.
- There is a risk of the user coming into contact with the cutting attachment or the line limiting blade during cleaning and maintenance work and when the cutting attachment is mounted or removed. This may result in injury to the user.
 - ▶ Wear work gloves made from resistant material.
- Wearing unsuitable footwear may cause the user to slip. This may result in injury to the user.
 - ▶ Wear sturdy, closed-toed footwear with high-grip soles.

4.5 Trimmer

⚠ WARNING

- Bystanders, children and animals are not aware of the dangers of the trimmer or flying debris. Bystanders, children and animals may be seriously injured and damage to property may occur.
 - ▶ Do not allow bystanders, children or animals within 15 meters of the work area.
 - ▶ Maintain a clearance of 15 meters from objects.
 - ▶ Do not leave the trimmer unattended.
 - ▶ Make sure that children cannot play with the trimmer.



- The trimmer is not waterproof. Working in the rain or a damp location may result in an electric shock. This can result in injuries to the user and may damage the trimmer.



- ▶ Do not work in the rain or a damp location.

- Electrical components of the trimmer can produce sparks. Sparks may cause a fire or an explosion in an easily combustible or explosive environment. This can result in serious or fatal injuries and damage to property.
 - ▶ Do not work in an easily combustible or explosive environment.
- Persons may trip over the extension cable. This can result in injuries and may damage the trimmer.
 - ▶ Lay the extension cable flat on the ground and make sure it is easily visible.

4.6 Safe Condition

4.6.1 Brushcutter

The brushcutter is in a safe condition if the following points are observed:

- The brushcutter is not damaged.
- The extension cable and its plug are not damaged.
- The brushcutter is clean and dry.
- The controls function properly and have not been modified.
- A combination of cutting attachment and deflector recommended in this user manual is mounted.
- The cutting attachment and deflector are properly mounted.
- Genuine STIHL accessories for this brushcutter are fitted.
- The accessories are correctly attached.

⚠ WARNING

- If not in safe condition, components may no longer operate correctly and safety devices may be disabled. This may result in serious or fatal injury to people.
 - ▶ Work only with an undamaged brushcutter.
 - ▶ Work only with an undamaged extension cable and an undamaged plug.
 - ▶ If the brushcutter is dirty or wet: Clean the brushcutter and allow it to dry.
 - ▶ Never attempt to modify your brushcutter. Exception: Mounting one of the combinations of cutting attachment and deflector recommended in this user manual.
 - ▶ If the controls do not function properly: Do not use your brushcutter.
 - ▶ Never mount metal cutting attachments.
 - ▶ Fit genuine STIHL accessories for this brushcutter.
 - ▶ Mount the cutting attachment and deflector as described in this user manual.
 - ▶ Attach accessories as described in this User Manual or in the User Manual for the accessories.
 - ▶ Never insert objects in the openings of the brushcutter.
 - ▶ Replace worn or damaged labels.
 - ▶ If you have any doubts, be sure to consult a STIHL dealer.

4.6.2 Deflector

The deflector is in a safe condition if the following points are observed:

- The deflector is not damaged.
- The line limiter blade is correctly installed.

▲ WARNING

- If the product does not comply with safety requirements, components will no longer function properly or safety devices may be rendered inoperative. This can result in serious injuries.
 - ▶ Work only with an undamaged deflector.
 - ▶ Work with a correctly installed line limiter blade.
 - ▶ If you have any queries: Contact your STIHL servicing dealer.

4.6.3 Mowing Head

The mowing head is in a safe condition if the following points are observed:

- The mowing head is not damaged.
- The mowing head is not jammed.
- The mowing lines are properly installed.
- The wear limits are not exceeded.

▲ WARNING

- If they are in an unsafe condition, parts of the mowing head or mowing lines may come off and be ejected at high speed. They may cause serious injury to persons.
 - ▶ Work only with an undamaged mowing head.
 - ▶ Never use metal objects in place of the nylon mowing lines.
 - ▶ Observe and remain inside the wear limits.
 - ▶ If you have any doubts, be sure to consult a STIHL dealer.

4.7 Working

▲ WARNING

- In certain situations, the user may no longer be able to concentrate on their work. This may result in the user stumbling, falling and suffering serious injury.
 - ▶ Work carefully and in a considered manner.
 - ▶ If light and visibility are poor: Do not use your trimmer.
 - ▶ Operate the trimmer alone.
 - ▶ Keep the cutting attachment close to the ground.
 - ▶ Watch out for obstacles.
 - ▶ Work standing on the ground and keep your balance.
 - ▶ If you feel tired, take a break.
- The rotating cutting attachment can cut the user. This may result in serious injury to the user.
 - ▶ Do not touch the rotating cutting attachment.
 - ▶ If the cutting attachment is blocked by an object: Switch off the brushcutter and remove the extension cable connection from the brushcutter plug. Only then should you remove the object.
- If the behavior of the trimmer changes during operation or feels unusual, it may no longer be in a safe condition. This can result in serious injury to people and damage to property.
 - ▶ Stop work, remove extension cable connection from brushcutter plug and contact your STIHL servicing dealer for assistance.
- Vibrations may occur during brushcutter operation.
 - ▶ Wear gloves.
 - ▶ Take breaks.
 - ▶ If signs of a circulatory disturbance occur: Consult a doctor.

- If the cutting attachment makes contact with a foreign object during operation, the object or parts of it may be thrown at high speed. Persons may be injured or property damaged.

- ▶ Remove foreign objects from the working area.



Note that the cutting attachment continues to rotate for a short period after you release the trigger. There is a risk of serious injury to persons.

- ▶ Wait until the cutting attachment comes to a complete stop.

- If the rotating cutting attachment makes contact with a hard object, sparks may occur and the cutting attachment may be damaged. Sparks can cause fires in a flammable environment. Persons may be seriously or fatally injured and property may be damaged.

- ▶ Do not use in a flammable environment.
- ▶ Make sure the cutting attachment is in a safe condition.

4.8 Connecting to Power Supply

Contact with live components may occur for the following reasons:



- The connecting cable or extension cable is damaged.
- Connecting cable plug or extension cable is damaged.
- Wall outlet is not properly installed.

DANGER

- Contact with live components can result in an electric shock. This can result in serious or fatal injuries.
- ▶ Check that the connecting cable, extension cable and their plugs are not damaged.



If the connecting cable or extension cable is damaged:

- ▶ Do not touch damaged areas.
- ▶ Disconnect the plug from the wall outlet.
- ▶ Never touch the connecting cable, extension cable or their plugs with wet hands.
- ▶ Insert the plug of the connecting cable or extension cable in a properly installed fused wall outlet with ground contact.
- ▶ Connect the trimmer via a ground fault circuit interrupter (30 mA, 30 ms).
- A damaged or unsuitable extension cable can cause an electric shock. This can result in serious or fatal injuries.
- ▶ Use an extension cable with the correct wire gauge,  19.2.
- ▶ Use a splash-proof extension cable approved for outdoor use.
- ▶ Use an extension cable with the same specifications as the trimmer's connecting cable,  19.2.

⚠ WARNING

- Overvoltage can occur in the trimmer if the line voltage and/or frequency are incorrect during operation. This can damage the trimmer.
 - ▶ Make sure the line voltage and frequency agree with the data on the trimmer's rating label.
- If several electric power tools are connected to a multiple socket, electrical components may be overloaded during operation. The components may overheat and cause a fire. This can result in serious or fatal injuries and damage to property.
 - ▶ Connect the trimmer to a separate wall outlet.
 - ▶ Do not connect the trimmer to a multiple socket.
- A carelessly laid connecting or extension cable can be damaged and cause others to trip or fall. This can result in injuries and may damage the connecting cable or extension cable.
 - ▶ Position the connecting and extension cables so that there is no risk of contact with the cutting attachment.
 - ▶ Position and mark connecting cable and extension cable so they do not represent a trip hazard.
 - ▶ Position the connecting and extension cables so that they are not under tension or entangled.
 - ▶ Position the connecting and extension cables so that they cannot be damaged, kinked, pinched or chafed.
 - ▶ Protect the connecting cable and extension cable from heat, oil and chemicals.
 - ▶ Lay the connecting and extension cables on a dry surface.
- The extension cable becomes hot during operation. If the heat cannot dissipate, it may cause a fire.
 - ▶ If you use a cable drum: Unwind the extension cable to its full length.

4.9 Transporting

4.9.1 Trimmer

⚠ WARNING

- The trimmer may turn over or shift during transport. This may result in personal injuries and damage to property.
 - ▶ Disconnect extension cable's coupling from trimmer's plug.
 - ▶ Secure the trimmer with lashing straps, belts or a net to prevent it turning over and moving.

4.10 Storing

4.10.1 Trimmer

⚠ WARNING

- Children are not aware of and cannot assess the dangers of a trimmer and can be seriously injured.
 - ▶ Disconnect extension cable's coupling from trimmer's plug.
 - ▶ Store the trimmer out of the reach of children.
- Dampness can corrode the electrical contacts on the trimmer and metal components. This can damage the trimmer.
 - ▶ Disconnect extension cable's coupling from trimmer's plug.
 - ▶ Store the trimmer in a clean and dry condition.

4.11 Cleaning, Maintenance and Repair












⚠ WARNING

- The brushcutter may be switched on unintentionally if it remains connected to the power supply during cleaning, maintenance or repair operations. This can result in serious injury to people and damage to property.
 - ▶ Disconnect extension cable connection from brushcutter plug.
- Aggressive cleaning agents, water jets or pointed objects can damage the trimmer, deflector and the cutting attachment. If the brushcutter, deflector and cutting attachment are not cleaned correctly, components may no longer function properly or safety devices may be rendered inoperative. There is a risk of serious injury to persons.
 - ▶ Clean the brushcutter, deflector and cutting attachment as described in this instruction manual.
- If the brushcutter, deflector and cutting attachment are not serviced or repaired correctly, components may no longer function properly or safety devices may be rendered inoperative. This may result in serious or fatal injury to people.
 - ▶ Do not attempt to service or repair the brushcutter, deflector, cutting attachment or battery.
 - ▶ If the brushcutter, deflector, or cutting attachment require servicing or repairs: Contact your STIHL servicing dealer for assistance.

5 Preparing Trimmer for Operation

5.1 Preparing Trimmer for Operation

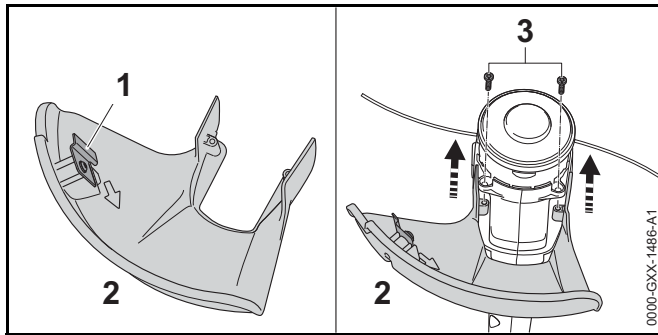
Perform the following steps before starting work:

- ▶ Make sure the following components are in a safe condition:
 - Trimmer and connecting cable,  4.6.1.
 - Deflector,  4.6.2.
 - Mowing head,  4.6.3.
- ▶ Clean the trimmer,  15.1.
- ▶ Mount the deflector,  6.1.
- ▶ Fit spool when using trimmer without fanwheel,  6.2.
- ▶ Fit spool when using trimmer with fanwheel,  6.2
- ▶ Mount the loop handle,  6.3.
- ▶ Adjust length of shaft,  7.1.
- ▶ Adjust the loop handle,  7.3.
- ▶ Connect trimmer's plug to an extension cable and the extension cable's plug to a convenient wall outlet.
- ▶ Check the controls,  10.1.
- ▶ If you cannot carry out the above steps: Do not use your trimmer and contact a STIHL dealer for assistance.

6 Assembling the Trimmer

6.1 Mounting the Deflector

- ▶ Switch off the trimmer and disconnect extension cable's coupling from trimmer's plug.



The line limiting blade (1) is already installed in the deflector (2) and must not be removed.

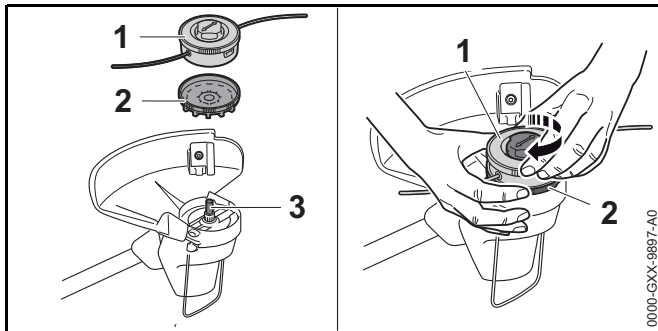
- ▶ Push the deflector (2) into the guides on the housing as far as stop.
The deflector (2) is tight against the housing.
- ▶ Insert and tighten down the screws (3) firmly.
The deflector (2) must not be removed again.

6.2 Mounting and Removing the Mowing Head

6.2.1 Mounting the Mowing Head

Trimmer with fanwheel

- ▶ Switch off the trimmer and disconnect extension cable's coupling from trimmer's plug.

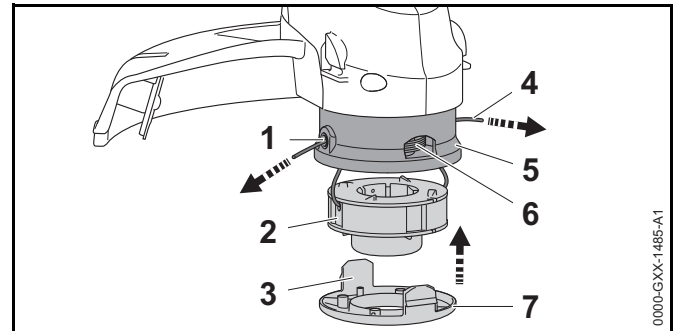


- ▶ Fit the fanwheel (2) on the shaft (3) with fan blades facing down.
If the fanwheel is not fitted, the motor will not be cooled properly and it will not be possible to remove the mowing head.
- ▶ Hold fanwheel (2) steady with one hand.
- ▶ Fit the mowing head (1) on the shaft (3) and screw it on counterclockwise.

Trimmer without fanwheel

The trimmer comes with the AutoCut 2-2 mowing head already mounted. The spool can be fitted by the user.

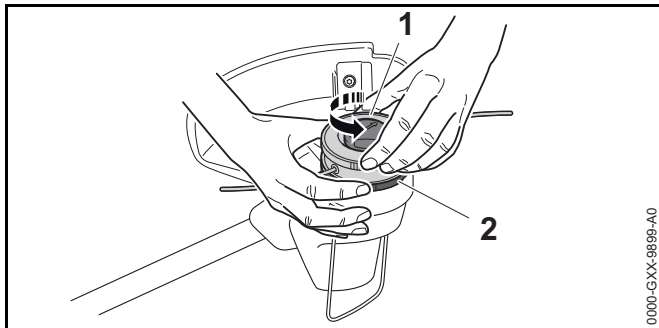
- ▶ Switch off the trimmer and disconnect extension cable's coupling from trimmer's plug.
- ▶ Place spool in a container filled with water for 12 to 24 hours before installing.
This makes the nylon mowing lines supple.



- ▶ Thread the ends of the nylon lines (4) from the spool (2) through the openings (1) in the mowing head (5).
- ▶ Insert the spool (2) in the mowing head (5).
- ▶ Fit the cover (7) on the mowing head (5) so that its tabs (3) line up with the openings (6) in the mowing head (4).
- ▶ Push the cover (7) onto the mowing head (5) as far as stop.
The tabs (3) engage audibly.

6.2.2 Removing the Mowing Head

Trimmer with fanwheel

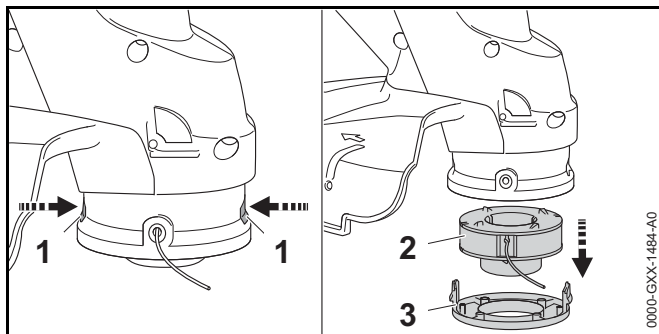


- ▶ Switch off the trimmer and disconnect extension cable's coupling from trimmer's plug.
- ▶ Hold fanwheel (2) steady with one hand.
- ▶ Unscrew the mowing head (1) counterclockwise.
- ▶ Remove the fanwheel.

Trimmer without fanwheel

The trimmer comes with the AutoCut 2-2 mowing head already mounted and cannot be removed by the user.. The spool can be removed by the user.

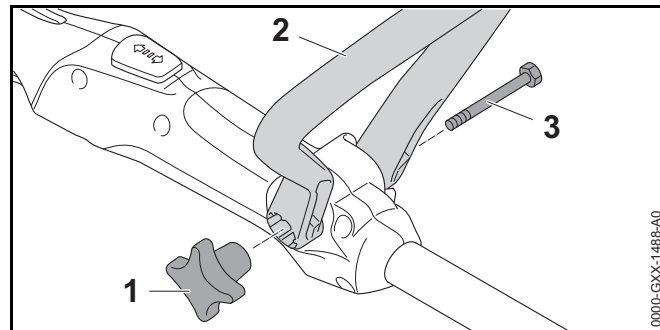
- ▶ Switch off the trimmer and disconnect extension cable's coupling from trimmer's plug.



- ▶ Press in the tabs (1) and remove the cover (3).
- ▶ Remove the spool (2).

6.3 Mounting the Loop Handle

- ▶ Switch off the trimmer and disconnect extension cable's coupling from trimmer's plug.



- ▶ Line up the loop handle (2) so that the recess for the star knob nut (1) is on the right of the control handle and the openings in the loop handle (2) are facing the operator.
- ▶ Ease the ends of the loop handle (2) apart and push it onto the control handle until it engages in position.
- ▶ Insert the screw (3) through the hole.
- ▶ Fit the star knob nut (1) and tighten it down.

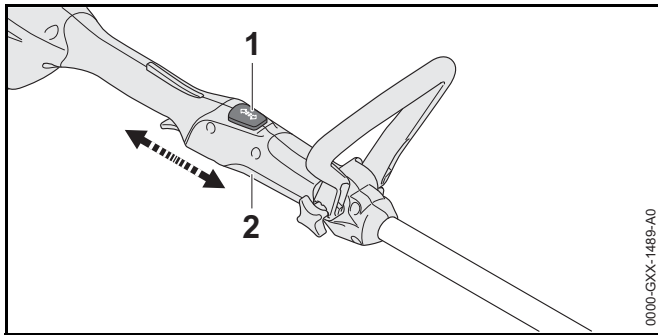
The loop handle (2) must not be removed again.

7 Adjusting Trimmer for User

7.1 Adjusting Length of Shaft

The length of the shaft can be adjusted to suit the height and reach of the user.

- ▶ Switch off the trimmer and disconnect extension cable's coupling from trimmer's plug.
- ▶ Hold the shaft firmly.

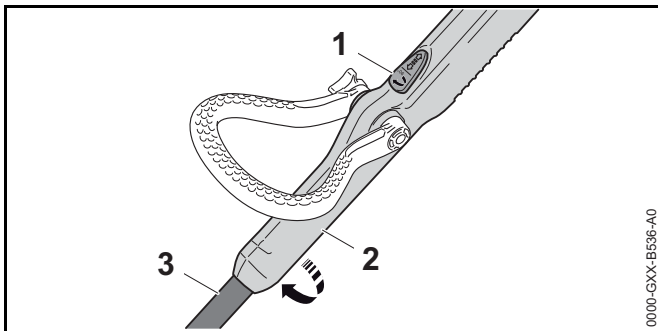


- ▶ Depress lock button (1) and hold it in that position.
- ▶ Pull or push the control handle (2) to the required position.
- ▶ Release the lock button (1).
- ▶ Move the control handle (2) back and forth until it engages.

7.2 Adjusting Angle of Control Handle

The control handle can be set to two positions (0° and 90°).

- ▶ Switch off the trimmer and disconnect extension cable's coupling from trimmer's plug.
- ▶ Hold the shaft firmly.

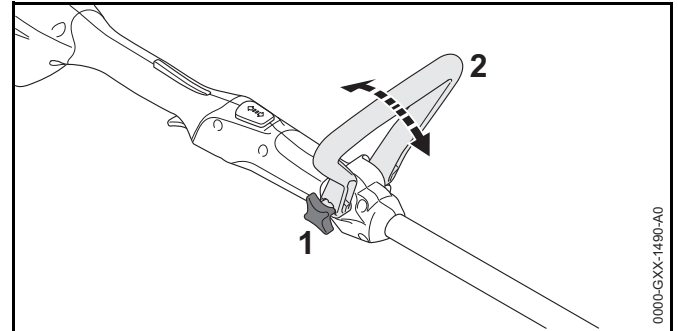


- ▶ Depress lock button (1) and hold it in that position.
- ▶ Turn the control handle (2) 90° on the shaft.
- ▶ Release the lock button (1).
- ▶ Move the control handle (2) back and forth until it engages.

7.3 Adjusting the Loop Handle

The loop handle can be set in different positions to suit the height and reach of the user.

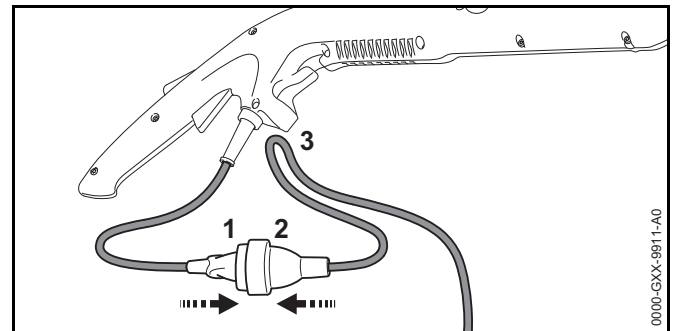
- ▶ Switch off the trimmer and disconnect extension cable's coupling from trimmer's plug.



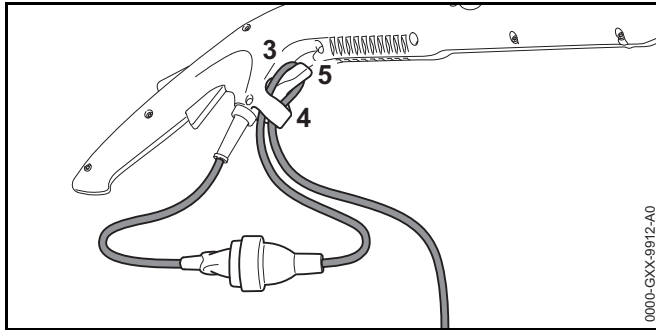
- ▶ Loosen the star knob nut (1).
- ▶ Swing the loop handle (2) to the required position.
- ▶ Tighten down the star knob nut (1) firmly.

8 Connecting to Power Supply

8.1 Connecting Trimmer to Power Supply



- ▶ Insert the plug (1) into the extension cable coupling (2).



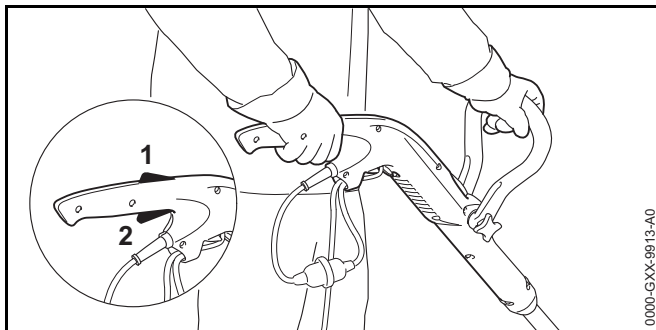
The strain relief (cable retainer) protects the connecting cable from damage.

- ▶ Make a loop in the extension cable.
- ▶ Pass the loop (3) through the opening (4).
- ▶ Slip the loop (3) over the hook (5) and pull it tight.
- ▶ Insert the extension cable's plug in a properly installed wall outlet.

9 Switching the Trimmer On/Off

9.1 Switching On

- ▶ Hold the trimmer firmly with one hand on the control handle – wrap your thumb around the handle.
- ▶ Hold the trimmer firmly with the other hand on the loop handle – wrap your thumb around the handle.



- ▶ Depress the trigger lockout (1) with your hand and hold it there.
- ▶ Pull the trigger (2) with your index finger and hold it there. The motor accelerates and the cutting attachment rotates.

9.2 Switching Off

- ▶ Release the trigger and trigger lockout lever.
- ▶ Wait for the cutting attachment to come to a standstill.
- ▶ If the cutting attachment continues to rotate: Stop work, disconnect extension cable's coupling from trimmer's plug and contact your STIHL servicing dealer for assistance. The trimmer has a malfunction.

10 Testing the Trimmer

10.1 Checking the controls

Trigger lockout and trigger

- ▶ Switch off the brushcutter and remove extension cable connection from brushcutter plug.
- ▶ Try pressing the trigger without pressing the trigger lockout.
- ▶ If you can press the trigger: Stop using your brushcutter and contact a STIHL dealer. The trigger lockout is faulty.
- ▶ Press and hold the trigger lockout.
- ▶ Press and release the trigger.
- ▶ If the trigger or trigger lockout is stiff or does not spring back to the idle position: Do not use your brushcutter and contact your STIHL dealer for assistance. The trigger or the trigger lockout is defective.

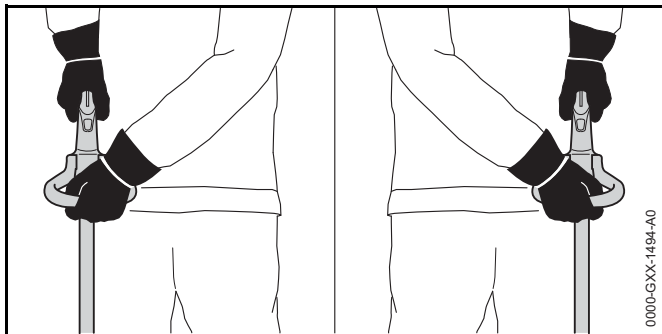
Switching the Brushcutter on

- ▶ Connect the brushcutter to a separate wall outlet.
- ▶ Press and hold the trigger lockout.
- ▶ Press and hold the trigger. The cutting attachment rotates.

- ▶ Release the trigger.
The cutting attachment stops rotating after a brief delay.
- ▶ If the cutting attachment continues to rotate: Stop work, remove extension cable connection from brushcutter plug and contact your STIHL servicing dealer for assistance. The brushcutter is defective.

11 Operating the Trimmer

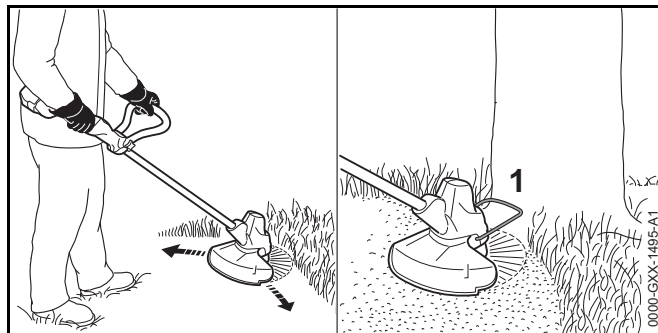
11.1 Holding and Controlling the Trimmer



- ▶ Hold the trimmer with one hand on the control handle - wrap your thumb around the control handle.
- ▶ Hold the trimmer with the other hand on the loop handle - wrap your thumb around the loop handle.

11.2 Mowing

The cutting height is determined by the distance of the cutting attachment from the ground.



- ▶ Swing the brushcutter steadily back and forth in an arc.
- ▶ Move forward slowly in a controlled manner.
- ▶ If you work with a bump guard: Extend the bump guard (1) fully.

11.3 Adjusting Nylon Line

- ▶ Tap the rotating mowing head on the ground. About 30 mm of fresh nylon line is advanced.

The line limiting blade in the deflector trims the mowing lines to the correct length.

Automatic feed will not take place if the mowing lines are shorter than 25 mm.

- ▶ Switch off the trimmer and disconnect extension cable's coupling from trimmer's plug.
- ▶ Press the button on the mowing head and hold it depressed.
- ▶ Pull out the mowing lines.
- ▶ If the mowing lines cannot be pulled out to required length: Install a new spool with mowing line. The spool is empty.

12 After Finishing Work

12.1 After Finishing Work

- ▶ Switch off the trimmer and disconnect extension cable's coupling from trimmer's plug.
- ▶ If the trimmer is wet: Allow the trimmer to dry.
- ▶ Clean the trimmer.
- ▶ Clean the deflector.
- ▶ Clean the cutting attachment.

13 Transporting

13.1 Transporting the brushcutter

- ▶ Switch off the brushcutter and remove extension cable connection from brushcutter plug.
- ▶ Adjust the shaft to its shortest length.

Carrying the brushcutter

- ▶ Carry the brushcutter in one hand properly balanced by the shaft, with the cutting attachment behind you.

Transporting the trimmer in the car

- ▶ Secure the trimmer to prevent turnover and movement.

14 Storing

14.1 Storing the Trimmer

- ▶ Switch off the trimmer and disconnect extension cable's coupling from trimmer's plug.
- ▶ Remove the mowing head.
- ▶ Observe the following points when storing the trimmer:
 - The trimmer is out of the reach of children.
 - The trimmer is clean and dry.

15 Cleaning

15.1 Cleaning the Brushcutter

- ▶ Switch off the brushcutter and remove extension cable connection from brushcutter plug.
- ▶ Clean the brushcutter with a damp cloth.
- ▶ Clean vents with a paintbrush.
- ▶ Clean the area underneath the fanwheel with a soft brush.

15.2 Cleaning the Deflector and Cutting Attachment

- ▶ Switch off the trimmer and disconnect extension cable's coupling from trimmer's plug.
- ▶ Clean the deflector and cutting attachment with a damp cloth or a soft brush.

16 Maintenance

16.1 Maintenance Intervals

The maintenance intervals are dependent on the environmental and operating conditions. STIHL recommends the following maintenance intervals:

Every 12 months

- ▶ Have the trimmer checked by a STIHL servicing dealer.

17 Repairing





17.1 Repairing the Trimmer and Cutting Attachment

The trimmer and cutting attachment cannot be repaired by the user.

- ▶ If the trimmer or cutting attachment is damaged: Do not use your trimmer or cutting attachment and contact your STIHL servicing dealer for assistance.

18 Troubleshooting

18.1 Troubleshooting Trimmer

Condition	Cause	Remedy
Trimmer does not start when switched on.	Connecting cable plug or extension cable plug not connected.	▶ Reconnect connecting cable plug or extension cable plug.
	Miniature circuit breaker (fuse) or ground fault circuit interrupter has tripped. Circuit is overloaded or faulty.	▶ Determine reason for circuit breaker tripping and rectify the problem. Switch on miniature circuit breaker (fuse) or ground fault circuit interrupter. ▶ Switch off other consumers in the same circuit.
	Wall outlet's fuse rating is too low.	▶ Insert the connecting cable plug in a wall outlet with the correct fuse rating,  19.1.
	Wire gauge of extension cable is wrong.	▶ Use an extension cable of the right wire gauge.  19.2
	The extension cable is too long.	▶ Use an extension cable of the correct length,  19.2
Trimmer cuts out during operation.	Connecting cable plug or extension cable plug has been pulled out of wall outlet.	▶ Reconnect connecting cable plug or extension cable plug.
	Miniature circuit breaker (fuse) or ground fault circuit interrupter has tripped. Circuit is overloaded or faulty.	▶ Determine reason for circuit breaker tripping and rectify the problem. Switch on miniature circuit breaker (fuse) or ground fault circuit interrupter. ▶ Switch off other consumers in the same circuit.
	Wall outlet's fuse rating is too low.	▶ Insert the connecting cable plug in a wall outlet with the correct fuse rating,  19.1.
Mowing head cannot be unscrewed by hand.	Mowing head overtightened.	▶ Block the fanwheel with the stop pin. ▶ Unscrew mowing head by hand. ▶ Remove stop pin.

19 Specifications

19.1 STIHL FSE 52 Trimmer

- Supply voltage: 220-240 V
- Frequency: 50/60 Hz
- Rated current: 2.3 A
- Fuse: 10 A
- Power consumption: 500 W
- Rated speed under load: 6000 rpm
- Weight with deflector and cutting attachment
 - Version with 0.3 m cable: 2.2 kg
 - Version with 9.9 m cable: 2.8 kg
- Electrical protection class: II

19.2 Extension Cords

If an extension cord is used, it must have a ground wire and the wire gage of its conductors must meet the following minimum requirements – depending on the line voltage and length of the extension cord:

If rated voltage on the rating label is 220V to 240V:

- Cord length up to 20 m: AWG 15 / 1.5 mm²
- Cord length 20 m up to 50 m: AWG 13 / 2.5 mm²

If rated voltage on the rating label is 100 V to 127 V:

- Cord length up to 10 m: AWG 14 / 2.0 mm²
- Cord length 10 m up to 30 m: AWG 12 / 3.5 mm²

19.3 Noise and Vibration Data

K-value (uncertainty) for sound pressure levels is 2 dB(A).
K-value (uncertainty) for sound power levels is 2 dB(A).
K-value (uncertainty) for vibration levels is 2 m/s².

STIHL recommends that you wear hearing protection.

- Sound pressure level L_{pA} measured according to EN 50636-2-91: 83 dB(A)
- Sound power level L_{WA} measured according to EN 50636-2-91: 94 dB(A)
- Vibration level a_{hv} measured according to EN 50636291
 - Control handle: < 4.5 m/s²
 - Loop handle: 3.0 m/s²

The vibration values quoted above have been measured according to a standardized test procedure and may be used to compare electric power tools. Depending on the type of usage, the vibrations that actually occur may differ from the values quoted. The vibration values quoted may be used for an initial assessment of the user's exposure to vibrations. The actual exposure to vibrations has to be estimated. This process may also take into account times during which the electric power tool is switched off and times during which it is switched on but running off load.

For information on compliance with Vibration Directive 2002/44/EC visit www.stihl.com/vib.

19.4 REACH

REACH is an EC regulation and stands for the Registration, Evaluation, Authorisation and Restriction of Chemical substances.

For information on compliance with the REACH regulation see www.stihl.com/reach.

20 Combinations of Cutting Attachments and Deflectors

20.1 STIHL FSE 52 Trimmer

Trimmer with fanwheel

The following mowing heads may be mounted with the deflector:

- STIHL AutoCut C 3-2 mowing head:
 - with round, low-noise trimmer line with a diameter of 1.6 mm or 2.0 mm


Trimmer without fanwheel

AutoCut 2-2 mowing head cannot be installed by the user.

- ▶ Have the required mowing head installed by a STIHL servicing dealer.

21 Spare Parts and Accessories

21.1 Spare parts and accessories

STIHL  These symbols indicate original STIHL spare parts and original STIHL accessories.

STIHL recommends the use of original STIHL spare parts and accessories.

Despite ongoing market observation, STIHL is unable to judge the reliability, safety and suitability of other manufacturers' spare parts and accessories; accordingly, STIHL cannot warrant for the use of those parts.

Original STIHL spare parts and original STIHL accessories are available from STIHL dealers.

22 Disposal

22.1 Disposing of Brushcutter

Contact the local authorities or your STIHL dealer for information on disposal.

Improper disposal can be harmful to health and pollute the environment.

- ▶ Take STIHL products including packaging to a suitable collection point for recycling in accordance with local regulations.
- ▶ Do not dispose with domestic waste.

23 EC Declaration of Conformity

23.1 STIHL FSE 52 Brushcutter

ANDREAS STIHL AG & Co. KG
Badstraße 115
D-71336 Waiblingen
Germany

declare under our sole responsibility that

- Designation: Electric brushcutter
- Manufacturer's brand: STIHL
- Series: FSE 52
- Serial number: 4816

conforms to the relevant provisions of Directives 2011/65/EU, 2006/42/EC, 2014/30/EU and 2000/14/EC and has been developed and manufactured in compliance with the following standards in the versions valid on the date of production: EN 55014-1, EN 55014-2, EN 60335-1 and EN ISO 12100 taking EN 50636-2-91 into account.

The measured and guaranteed sound power levels were determined according to Directive 2000/14/EC, Annex VI.

Participating notified body: VDE Prüf- u. Zertifizierungsinstitut, Merianstraße 28, 63069 Offenbach, Germany

- Measured sound power level: 94 dB(A)
- Guaranteed sound power level: 96 dB(A)

The technical documents are stored at ANDREAS STIHL AG & Co. KG Produktzulassung.

The year of manufacture, country of manufacture and serial number are specified on the rating plate of the brushcutter.

Waiblingen, 15.07.2021

ANDREAS STIHL AG & Co. KG

pp



Dr. Jürgen Hoffmann, Director Product Certification & Regulatory Affairs

24 UKCA Declaration of Conformity

24.1 STIHL FSE 52 Brushcutter

**UK
CA**

ANDREAS STIHL AG & Co. KG
Badstraße 115
D-71336 Waiblingen
Germany

declare under our sole responsibility that

- Designation: Electric brushcutter
- Manufacturer's brand: STIHL

- Series: FSE 52
- Serial number: 4816

complies with the relevant provisions of the UK regulation The Restriction of the Use of Certain Hazardous Substances in Electrical and Electronic Equipment Regulations 2012, Supply of Machinery (Safety) Regulations 2008, Electromagnetic Compatibility Regulations 2016 and Noise Emission in the Environment by Equipment for use Outdoors Regulations 2001 and has been developed and manufactured in accordance with the versions of the following standards valid on the date of manufacture: EN 55014-1, EN 55014-2, EN 60335-1 and EN ISO 12100 taking into account the standard EN 50636-2-91.

The measured and the guaranteed sound power level have been determined in accordance with UK regulation Noise Emission in the Environment by Equipment for use Outdoors Regulations 2001, Schedule 9..

Participating notified body: INTERTEK Testing & Certification Ltd, Academy Place, 1-9 Brook Street, Brentwood, Essex, CM14 5NQ, United Kingdom

- Measured sound power level: 94 dB(A)
- Guaranteed sound power level: 96 dB(A)


The technical documents are stored at ANDREAS STIHL AG & Co. KG.

The year of manufacture, country of manufacture and serial number are shown on the rating plate of the brushcutter.

Waiblingen, 15.07.2021

ANDREAS STIHL AG & Co. KG

pp



Dr. Jürgen Hoffmann, Director Product Certification & Regulatory Affairs

0458-777-0121-C

englisch



www.stihl.com



0458-777-0121-C