

STIHL

STIHL MSE 141 C

Instruction Manual



Contents

1	Introduction	2	9.1	Checking the Chain Sprocket	18
2	Guide to Using this Manual	2	9.2	Checking the Guide Bar	18
2.1	Symbols used with warnings in the text	2	9.3	Checking the Saw Chain	19
2.2	Symbols in Text	3	9.4	Testing the Chain Brake	19
3	Overview	3	9.5	Checking the Controls	19
3.1	Chainsaw	3	9.6	Checking Chain Lubrication	20
3.2	Symbols	4	10	Operating the Saw	20
4	Safety Precautions	4	10.1	Holding and Controlling the Chain Saw	20
4.1	Warning Signs	4	10.2	Cutting	20
4.2	Intended Use	5	10.3	Limbing	21
4.3	The Operator	5	10.4	Felling	21
4.4	Clothing and Equipment	6	10.5	Resetting Overload Protection	26
4.5	Work Area and Surroundings	7	11	After Finishing Work	26
4.6	Safe Condition	7	11.1	After Finishing Work	26
4.7	Working	8	12	Transporting	26
4.8	Reactive Forces	11	12.1	Transporting the Chainsaw	26
4.9	Connecting to Power Supply	12	13	Storing	27
4.10	Transporting	13	13.1	Storing the Chainsaw	27
4.11	Storing	13	14	Cleaning	27
4.12	Cleaning, Maintenance and Repairs	14	14.1	Cleaning the Saw	27
5	Preparing the Saw for Operation	14	14.2	Cleaning the Bar and Chain	27
5.1	Preparing the Saw for Operation	14	15	Maintenance	27
6	Assembling the Saw	14	15.1	Maintenance Intervals	27
6.1	Mounting and Removing the Bar and Chain	14	15.2	Deburring the Guide Bar	28
6.2	Tensioning the Saw Chain	16	15.3	Sharpening the Saw Chain	28
6.3	Filling Up with Chain Oil	16	16	Repairing	28
7	Engaging and Disengaging the Chain Brake	17	16.1	Repairing the Chain Saw, Guide Bar and Saw Chain	28
7.1	Engaging the Chain Brake	17	17	Troubleshooting	29
7.2	Disengaging the Chain Brake	17	17.1	Troubleshooting Chainsaw	29
8	Switching the Saw On/Off	17	18	Specifications	31
8.1	Switching On	17	18.1	STIHL MSE 141 C Chainsaw	31
8.2	Switching Off	18	18.2	Extension Cords	31
9	Checking the Saw	18			

STIHL

This instruction manual is protected by copyright. All rights reserved, especially the rights to reproduce, translate and process with electronic systems.

18.3 Chain Sprockets and Chain Speeds	31
18.4 Minimum Groove Depth of Guide Bars	31
18.5 Noise and Vibration Data	31
18.6 REACH	32
19 Bar and Chain Combinations	33
19.1 STIHL MSE 141 C Chainsaw	33
20 Spare Parts and Accessories	34
20.1 Spare Parts and Accessories	34
21 Disposal	34
21.1 Disposing of Chain Saw	34
22 EC Declaration of Conformity	34
22.1 STIHL MSE 141 C Chainsaw	34
23 General Power Tool Safety Warnings	34
23.1 Introduction	34
23.2 Work area safety	35
23.3 Electrical safety	35
23.4 Personal safety	35
23.5 Power tool use and care	36
23.6 Service	36
23.7 Chain Saw Safety Warnings	36
23.8 Causes and operator prevention of kickback:	37

1 Introduction

Dear Customer,

Thank you for choosing STIHL. We develop and manufacture our quality products to meet our customers' requirements. The products are designed for reliability even under extreme conditions.

STIHL also stands for premium service quality. Our specialist dealers guarantee competent advice and instruction as well as comprehensive service support.

We thank you for your confidence in us and hope you will enjoy working with your STIHL product.



Dr. Nikolas Stihl

IMPORTANT: READ BEFORE USE AND KEEP IN A SAFE PLACE.

2 Guide to Using this Manual

2.1 Symbols used with warnings in the text



WARNING

This symbol indicates dangers that can cause serious injuries or death.

- The measures indicated can avoid serious injuries or death.

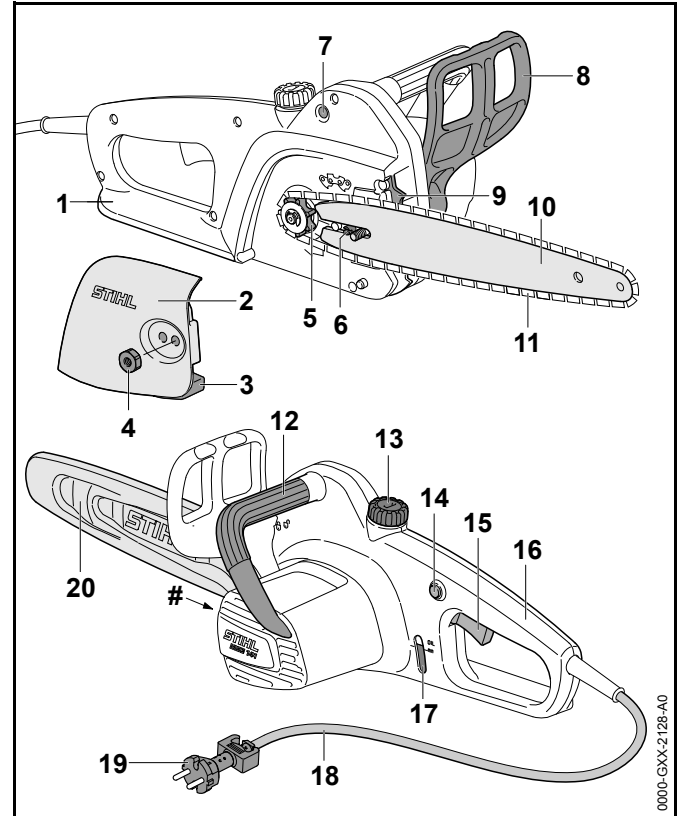
NOTICE

This symbol indicates dangers that can cause damage to property.

- ▶ The measures indicated can avoid damage to property.

2.2 Symbols in Text

This symbol refers to a chapter in this instruction manual.

3 Overview**3.1 Chainsaw****1 Rear Hand Guard**

Protects operator's right hand from contact with the chain if it comes off the bar or breaks.

2 Chain Sprocket Cover

Covers the chain sprocket and secures the guide bar to the chainsaw.

3 Chain Catcher

Reduces risk of operator contact with the chain if it comes off the bar or breaks.

4 Nut

Secures chain sprocket cover to chainsaw.

5 Chain sprocket

Toothed wheel that drives the chain.

6 Tensioning Screw

Adjusts chain tension.

7 Reset Button

Resets overload protection

8 Front Hand Guard

Helps protect operator's left hand from contact with the saw chain, serves to engage the chain brake and activates the chain brake by inertia in certain kickback situations.

9 Spiked Bumper

Toothed stop for holding saw steady against wood while cutting.

10 Guide bar

Supports and guides the saw chain.

11 Saw Chain

Cuts the wood.

12 Handlebar

For holding, controlling and carrying the chainsaw.

13 Oil Tank Cap

Closes the oil tank.

14 Lock button

Unlocks the trigger.

15 Trigger

The trigger switches the chainsaw on and off.

16 Control Handle

For operating, holding and controlling the chainsaw.

17 Inspection Window

For checking chain oil level.

18 Connecting Cable

Connects chainsaw to appliance plug.

19 Appliance Plug

Connects connecting cable to extension cable.

20 Chain Scabbard

Helps protect user from contact with saw chain.

Rating label with serial number**3.2 Symbols**

Meanings of symbols that may be on the chainsaw:



This symbol shows the direction of rotation of the chain.



The chain brake is engaged and disengaged in this direction.



The hand guard disengages the chain brake in this position.



The hand guard engages the chain brake in this position.



Length of guide bar that may be used.



Guaranteed sound power level according to directive 2000/14/EC in dB(A) in order to make sound emissions of products comparable.



Do not dispose of the product with your household waste.

4 Safety Precautions**4.1 Warning Signs**

Meanings of warning signs on the chain saw:



Observe safety notices and take the necessary precautions.



Read, understand and save the instruction manual.



Wear safety glasses, hearing protection and a hard hat.



Observe safety notices on kickback and take the necessary precautions.



If the connecting cord or extension cord is damaged: Disconnect the plug from the wall outlet.



Protect the chain saw from rain and dampness.

4.2 Intended Use

The STIHL MSE 141 chainsaw is suitable for cutting firewood and for other woodworking projects close to the house.

Do not use the chainsaw in the rain.

The use of this chainsaw for limbing (removing branches) and felling is limited because its range of movement is restricted by the connecting and extension cables.

⚠ WARNING

- Using the chainsaw for purposes for which it is not designed may result in serious or fatal injuries and damage to property.
 - ▶ Use the chainsaw with an extension cable.
 - ▶ Use the chainsaw as described in this instruction manual.

4.3 The Operator

⚠ WARNING

- Users without adequate training or instruction cannot recognize or assess the risks involved in using the chainsaw. The user or other persons may sustain serious or fatal injuries.



- ▶ Read, understand and save the instruction manual.

- ▶ If you pass the chainsaw on to another person: Always give them the instruction manual.
- ▶ Make sure the user meets the following requirements:
 - The user must be rested.
 - The user must be in good physical condition and mental health to operate and work with the chainsaw. If the user's physical, sensory or mental ability is

restricted, he or she may work only under the supervision of or as instructed by a responsible person.

- The user is able to recognize and assess the risks involved in using the chainsaw.
 - The user must be of legal age or is being trained in a trade under supervision in accordance with national rules and regulations.
 - The user has received instruction from a STIHL servicing dealer or other experienced user before working with the chainsaw for the first time.
 - The user must not be under the influence of alcohol, medication or drugs.
- ▶ If the user is working with a chainsaw for the first time: Practice cutting logs on a sawhorse or other support.
 - ▶ If you have any queries: Contact a STIHL servicing dealer for assistance.

4.4 Clothing and Equipment

▲ WARNING

- Long hair can become entangled in the saw during operation. This can result in serious injuries.
 - ▶ Tie up and confine long hair so that it cannot be entangled in the saw.
- Objects can be thrown through the air at high speed during operation. This can result in personal injury.



- ▶ Wear close-fitting safety glasses. Suitable safety glasses that have been tested and labeled in accordance with EN 166 or national standards are available from retailers.

- ▶ STIHL recommends that you wear a face shield.
 - ▶ Wear a long-sleeved, snug-fitting upper garment.
- Noise occurs during operation. Noise can harm your hearing.



- ▶ Wear hearing protection.

- Falling objects can cause head injuries.



- ▶ If there is a danger of falling objects during operation: Wear a safety hard hat.

- Dust can be whipped up during operation: Whipped up dust can damage the respiratory passages and cause allergic reactions.
 - ▶ If dust is whipped up and forms a cloud: Wear a dust respirator mask.
- Inappropriate clothing can snag on wood, brush or the saw. Not wearing personal protective equipment may result in serious injury.
 - ▶ Wear snug-fitting clothing.
 - ▶ Do not wear a scarf or jewelry.
- The user can come into contact with the rotating saw chain during operation. This can result in serious injuries.
 - ▶ Wear long trousers with cut-retardant inserts.
- The user can be cut by the wood during operation. The user can come into contact with the saw chain during cleaning and maintenance work. This can result in personal injury.
 - ▶ Wear work gloves made of durable material.
- Wearing unsuitable footwear may cause you to slip or stumble. Contact with the rotating saw chain can result in cuts. This can result in personal injury.
 - ▶ Wear chainsaw boots with cut retardant inserts.

4.5 Work Area and Surroundings

⚠ WARNING

- Bystanders, children and animals are not aware of the dangers of the chainsaw or thrown objects. Bystanders, children and animals may be seriously injured and damage to property may occur.
 - ▶ Keep bystanders, children and animals away from the work area.
 - ▶ Do not leave the chainsaw unattended.
 - ▶ Make sure that children cannot play with the chainsaw.
- The saw is not waterproof. Working in the rain or a damp location may result in an electric shock. This can result in injuries to the user and may damage the saw.



- ▶ Do not work in the rain or a damp location.

- Electrical components of the chainsaw can produce sparks. Sparks may cause a fire or an explosion in an easily combustible or explosive environment. This can result in serious or fatal injuries and damage to property.
 - ▶ Do not work in an easily combustible or explosive environment.

4.6 Safe Condition

4.6.1 Chainsaw

The chainsaw is in a safe condition if the following points are observed:

- The saw is not damaged.
- Connecting cable, extension cable and their plugs are not damaged.
- The saw is clean and dry.
- The chain catcher is not damaged.
- Chain brake is operating properly.

- The controls function properly and have not been modified.
- Chain lubrication is operating properly.
- Wear marks on chain sprocket are not deeper than 0.5 mm.
- A combination of guide bar and saw chain recommended in this instruction manual is mounted.
- The guide bar and chain are properly mounted.
- The chain is properly tensioned.
- Only original STIHL accessories designed for this saw are fitted.
- Accessories are properly mounted.
- The oil tank is closed.


⚠ WARNING

- If components do not comply with safety requirements, they will no longer function properly and safety devices may be rendered inoperative. This can result in serious or fatal injuries.
 - ▶ Work only with an undamaged chainsaw.
 - ▶ Operate the machine only if the connecting cable, extension cable and plug are in good condition.
 - ▶ If the saw is dirty or wet: Clean the saw and allow it to dry.
 - ▶ Work only with an undamaged chain catcher.
 - ▶ Never modify your chainsaw. Exception: Mounting a combination of guide bar and saw chain recommended in this instruction manual.
 - ▶ If the controls do not function properly: Do not use your saw.
 - ▶ Only fit original STIHL accessories designed for this saw model.
 - ▶ Mount the guide bar and chain as described in this instruction manual.
 - ▶ Mount accessories as described in this instruction manual or the instructions supplied with the accessory.

- ▶ Never insert objects in the saw's openings.
- ▶ If you have any queries: Contact your STIHL servicing dealer.

4.6.2 Guide Bar

The guide bar is in a safe condition if the following points are observed:

- Guide bar is not damaged.
- Guide bar is not deformed.
- The minimum groove depth is maintained,  18.4.
- Bar rails are free from burrs.
- Bar groove is not pinched or splayed.

WARNING

- If the guide bar is not in a safe condition, it can no longer support and guide the saw chain properly. The rotating saw chain can jump off the guide bar. This can result in serious or fatal injuries.
 - ▶ Work only with an undamaged guide bar.
 - ▶ If the groove depth is less than the minimum depth: Mount a new guide bar.
 - ▶ Deburr the guide bar every week.
 - ▶ If you have any queries: Contact your STIHL servicing dealer.

4.6.3 Saw Chain

The saw chain is in a safe condition if the following points are observed:

- Chain is not damaged.
- Chain is properly sharpened.
- The service marks on the cutters are still visible.

WARNING

- If components do not comply with safety requirements, they will no longer function properly and safety devices may be rendered inoperative. This can result in serious or fatal injuries.
 - ▶ Work only with an undamaged saw chain.
 - ▶ Sharpen the chain properly.
 - ▶ If you have any queries: Contact your STIHL servicing dealer for assistance.

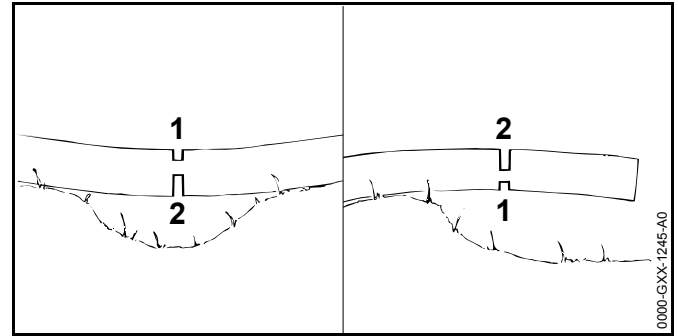
4.7 Working

4.7.1 Sawing

WARNING

- Always work within calling distance of others
 - ▶ in case help is needed.
- The user cannot concentrate on the work in certain situations. The user can lose control of the saw, trip or fall and be seriously injured.
 - ▶ Work calmly and carefully.
 - ▶ If light and visibility are poor: Do not use your saw.
 - ▶ Operate the chain saw alone.
 - ▶ Do not work above shoulder height.
 - ▶ Watch out for obstacles.
 - ▶ Stand on the ground while working and keep a good balance. If it is necessary to work at heights: Use a lift bucket or a safe platform.
 - ▶ If you feel tired. Take a break.
- The rotating saw chain can cut the operator. This can result in serious injuries.
 - ▶ Do not touch the rotating saw chain.
 - ▶ If the saw chain is blocked by an object: Switch off the saw, engage the chain brake and disconnect the extension cable's plug from the wall outlet. Then remove the object causing the blockage.

- The rotating chain becomes hot and expands. If the chain is not lubricated sufficiently and retensioned, it can come off the guide bar or break. This can result in serious injuries and damage to property.
 - ▶ Use special chain oil.
 - ▶ Check chain tension regularly during cutting work. If chain tension is insufficient: Tension the chain.
- If the behavior of the saw changes during operation or feels unusual, it may no longer be in a safe condition. This can result in serious injuries and damage to property.
 - ▶ Engage the chain brake, disconnect extension cable's plug from the wall outlet and contact your STIHL servicing dealer.
- Saw vibrations may occur during operation.
 - ▶ Wear gloves.
 - ▶ Take regular breaks.
 - ▶ If signs of circulation problems occur: Seek medical advice.
- Sparks may occur if the rotating chain makes contact with a hard object. Sparks may cause a fire in an easily combustible location. This can result in serious or fatal injuries and damage to property.
 - ▶ Do not work in an easily combustible location.
- Note that the saw chain continues to rotate for a short period after you release the trigger. The rotating saw chain can cut the user. This can result in serious injuries.
 - ▶ Wait for the chain to come to a standstill.



⚠ WARNING

- The guide bar can be pinched when cutting wood that is under tension. The user can lose control of the saw and be seriously injured.
 - ▶ Make a relieving cut in the compression side (1) first, then perform bucking cut at the tension side (2).

4.7.2 Limbing

⚠ WARNING

- If the underside of the felled tree is limbed first, it will no longer be supported on the ground by branches. The tree can move during cutting work. This can result in serious or fatal injuries.
 - ▶ Cut through large limbs on the underside of the tree only after it has been bucked.
 - ▶ Do not stand on the log while limbing it.
- A branch may fall to the ground during limbing. The user may trip, fall or be seriously injured.
 - ▶ Limb from the base to the crown of the tree.

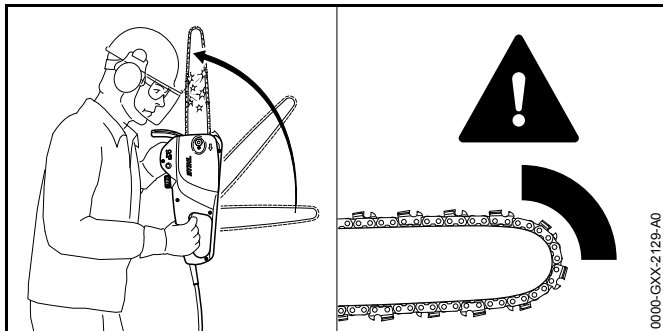
4.7.3 Felling

⚠ WARNING

- Inexperienced users cannot assess the dangers of felling a tree. This can result in serious or fatal injuries and damage to property.
 - ▶ If you have any queries: Do not fell the tree yourself.
- A tree and branches can fall on bystanders or objects during the felling operation. This can result in serious or fatal injuries and damage to property.
 - ▶ Determine direction of fall so that the area in which the tree falls is clear.
 - ▶ Do not allow bystanders, children or animals within 2.5 tree lengths of the felling site.
 - ▶ Remove broken or dead branches from the tree crown before felling.
 - ▶ If broken or dead branches cannot be removed from the crown: Do not fell the tree.
 - ▶ Observe tree crown and crowns of neighboring trees and keep clear of falling branches.
- When the tree falls the trunk can break or spring back in the direction of the user. This can result in serious or fatal injuries.
 - ▶ Plan an escape path sideways behind the tree.
 - ▶ Walk backwards along the escape path and observe the falling tree.
 - ▶ Do not walk backwards down slopes.
- Obstacles in the work area and on the escape path can hinder the user. The user may trip and fall. This can result in serious or fatal injuries.
 - ▶ Remove all obstacles from the work area and escape path.
- If you cut into or through the hinge, stabilizing strap or holding strap too soon, the intended direction of fall cannot be controlled or the tree can fall prematurely. This can result in serious or fatal injuries and damage to property.
 - ▶ Do not cut into or through the hinge.
 - ▶ Cut through the stabilizing strap or holding strap last.
 - ▶ If the tree begins to fall too soon: Abandon the felling cut and retreat along the escape.
- Kickback can occur if the rotating chain in the upper quadrant of the bar nose makes contact with a hard felling wedge and is suddenly braked. This can result in serious or fatal injuries.
 - ▶ Use aluminum or plastic felling wedges.
- If the tree does not fall all the way to the ground or gets caught on another tree, the operator cannot finish the operation in a controlled manner.
 - ▶ Stop the felling operation and use a cable winch or suitable vehicle to pull the tree to the ground.

4.8 Reactive Forces

4.8.1 Kickback

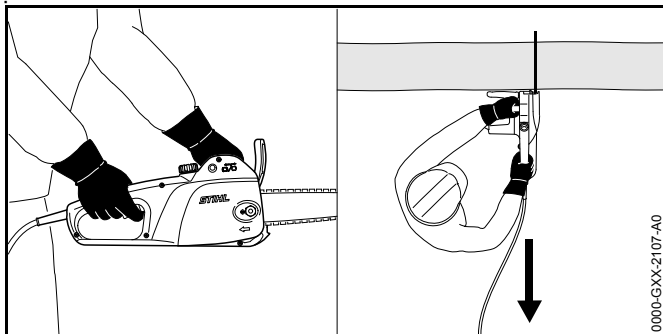


Kickback can be caused for the following reasons:

- The rotating saw chain in the upper quadrant of the bar nose makes contact with a hard object and is suddenly braked.
- The rotating saw chain is pinched at the bar nose.

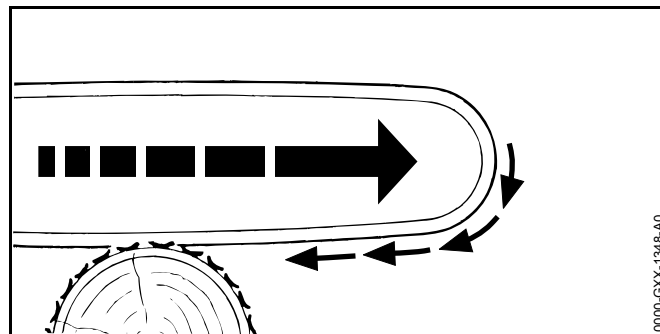
The chain brake cannot prevent kickback.

⚠ WARNING



- If kickback occurs, the saw can be thrown up in the direction of the operator. The operator can lose control of the saw and be seriously or fatally injured.
 - ▶ Hold the saw firmly with both hands.
 - ▶ Always keep your body out of the plane of the cutting attachment.
 - ▶ Operate the saw as described in this instruction manual.
 - ▶ Do not cut with the upper quadrant of the bar nose.
 - ▶ Always cut with a properly sharpened and tensioned saw chain.
 - ▶ Use a reduced kickback saw chain.
 - ▶ Use a guide bar with a narrow radius nose.
 - ▶ Always cut with the chain running at full speed.

4.8.2 Pull-in



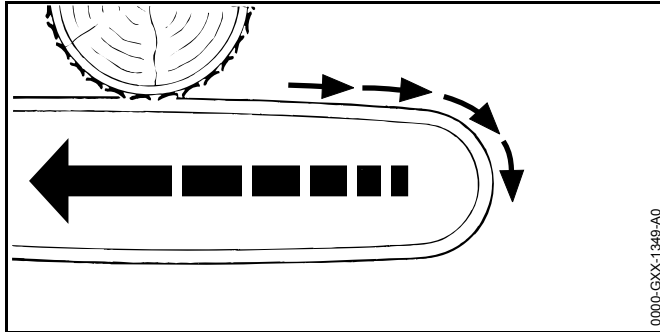
The saw is pulled away from the operator when the bottom of the bar is used for cutting.

⚠ WARNING

- If the rotating chain makes contact with a hard object and is suddenly pinched, the saw is abruptly jerked away from the operator. The operator can lose control of the saw and be seriously or fatally injured.
 - ▶ Hold the saw firmly with both hands.
 - ▶ Operate the saw as described in this instruction manual.
 - ▶ Keep the guide bar straight in the cut.

- ▶ Apply the spiked bumper properly.
- ▶ Always cut with the chain running at full speed.

4.8.3 Pushback



The saw is pushed back toward the operator when the top of the bar is used for cutting.

⚠ WARNING

- If the rotating chain makes contact with a hard object and is suddenly pinched, the saw can be abruptly pushed back toward the operator. The operator can lose control of the saw and be seriously or fatally injured.
 - ▶ Hold the saw firmly with both hands.
 - ▶ Operate the saw as described in this instruction manual.
 - ▶ Keep the guide bar straight in the cut.
 - ▶ Always cut with the chain running at full speed.

4.9 Connecting to Power Supply

Contact with live components may occur for the following reasons:

- The connecting cable or extension cable is damaged.
- Connecting cable plug or extension cable is damaged.
- Wall outlet is not properly installed.

⚠ DANGER

- Contact with live components can result in an electric shock. This can result in serious or fatal injuries.
 - ▶ Check that the connecting cable, extension cable and their plugs are not damaged.



If the connecting cable or extension cable is damaged:

- ▶ Do not touch damaged areas.
 - ▶ Disconnect the plug from the wall outlet.
- ▶ Never touch the connecting cable, extension cable or their plugs with wet hands.
 - ▶ Insert the plug of the connecting cable or extension cable in a properly installed fused wall outlet with ground contact.
 - ▶ Connect the chainsaw via a ground fault circuit interrupter (30 mA, 30 ms).
- A damaged or unsuitable extension cable can cause an electric shock. This can result in serious or fatal injuries.
 - ▶ Use an extension cable with the correct wire gauge, 18.2.
 - ▶ Use a splash-proof extension cable approved for outdoor use.
 - ▶ Use an extension cable with the same specifications as the chainsaw's connecting cable, 18.2.

⚠ WARNING

- Overvoltage can occur in the chainsaw if the line voltage or frequency are incorrect during operation. This can damage the saw.
 - ▶ Make sure the line voltage and frequency agree with the data on the saw's rating label.
- If several saws are connected to one wall outlet, their cables may be overloaded during operation. The cables can overheat and cause a fire. This can result in serious or fatal injuries and damage to property.
 - ▶ Connect each saw to a separate wall outlet.
 - ▶ Do not connect saws to multiple sockets.
- A carelessly laid connecting or extension cable can be damaged and cause others to trip or fall. This can result in injuries and may damage the connecting cable or extension cable.
 - ▶ Position the connecting and extension cables so that there is no risk of contact with the rotating chain.
 - ▶ Position and mark connecting cable and extension cable so they do not represent a trip hazard.
 - ▶ Position the connecting and extension cables so that they are not under tension or entangled.
 - ▶ Position the connecting and extension cables so that they cannot be damaged, kinked, pinched or chafed.
 - ▶ Protect the connecting cable and extension cable from heat, oil and chemicals.
 - ▶ Lay the connecting and extension cables on a dry surface.
- The extension cable becomes hot during operation. If the heat cannot dissipate, it may cause a fire.
 - ▶ If you use a cable drum: Unwind the extension cable to its full length.

4.10 Transporting

⚠ WARNING

- The saw may turn over or shift during transport. This may result in personal injuries and damage to property.
 - ▶ Disconnect the extension cable's plug from the wall outlet.
 - ▶ Disconnect the saw's plug from the extension cable.
 - ▶ Engage the chain brake.
 - ▶ Fit the scabbard so that it completely covers the guide bar.
 - ▶ Secure the chainsaw with lashing straps or a net to prevent it turning over and moving.

4.11 Storing

⚠ WARNING

- Children are not aware of and cannot assess the dangers of a chainsaw and can be seriously injured.
 - ▶ Disconnect the saw's plug from the extension cable.
 - ▶ Disconnect the extension cable's plug from the wall outlet.
 - ▶ Engage the chain brake.
 - ▶ Fit the scabbard so that it completely covers the guide bar.
 - ▶ Store the saw out of the reach of children.
- Dampness can corrode the electrical contacts on the saw and metal components. This can damage the saw.
 - ▶ Store the saw in a clean and dry condition.

4.12 Cleaning, Maintenance and Repairs











⚠ WARNING

- The saw may start unintentionally if the plug is not removed from the wall outlet during cleaning, maintenance or repair operations. This can result in serious injuries and damage to property.
 - ▶ Disconnect the extension cable's plug from the wall outlet.
 - ▶ Disconnect the saw's plug from the extension cable.
 - ▶ Engage the chain brake.
- Aggressive cleaning agents, a water jet or pointed objects can damage the saw, guide bar and saw chain. If the saw, guide bar or saw chain are not cleaned correctly, components may no longer function properly or safety devices may be rendered inoperative. This can result in serious injuries.
 - ▶ Clean the saw, guide bar and saw chain as described in this instruction manual.
- If the saw, guide bar or saw chain are not are not serviced or repaired correctly, components may no longer function properly or safety devices may be rendered inoperative. This can result in serious or fatal injuries.
 - ▶ Do not attempt to service or repair the chainsaw.
 - ▶ If the connecting cable has a malfunction or is damaged: Have connecting cable replaced by a STIHL servicing dealer.
 - ▶ If the chainsaw needs to be serviced or repaired: Contact your STIHL servicing dealer for assistance.
 - ▶ Service or repair the guide bar and chain as described in this instruction manual.
- The user can be cut by the sharp cutters while cleaning or servicing the saw chain. This can result in personal injury.
 - ▶ Wear work gloves made of durable material.

5 Preparing the Saw for Operation

5.1 Preparing the Saw for Operation


Perform the following steps before starting work:

- ▶ Make sure the following components are in a safe condition:
 - Chain saw and connecting cable,  4.6.1.
 - Guide bar,  4.6.2.
 - Saw chain,  4.6.3.
- ▶ Clean the saw,  14.1.
- ▶ Mount the bar and chain,  6.1.1.
- ▶ Tension the saw chain,  6.2.
- ▶ Fill up with chain oil,  6.3.
- ▶ Connect saw's plug to an extension cable and the extension cable's plug to a convenient wall outlet.
- ▶ Check the chain brake,  9.4.
- ▶ Check the controls,  9.5.
- ▶ Check chain lubrication,  9.6.
- ▶ If you cannot carry out this work: Do not use your chainsaw and contact your STIHL servicing dealer.

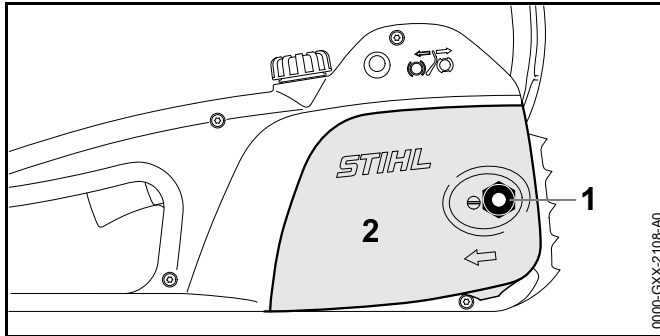
6 Assembling the Saw

6.1 Mounting and Removing the Bar and Chain

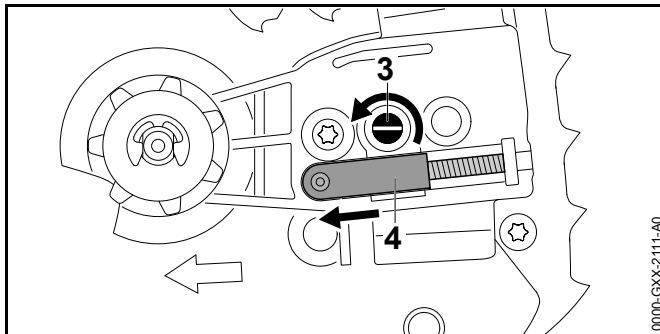
6.1.1 Mounting the Bar and Chain

The bar and chain combinations that can be used with the chain sprocket are listed in the specifications,  19.

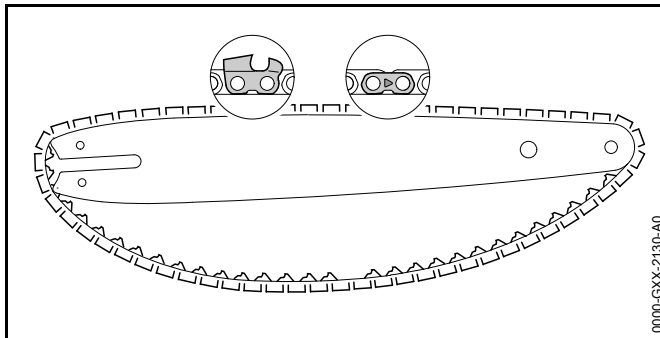
- ▶ Switch off the saw, engage the chain brake and disconnect the extension cord's plug from the wall outlet.



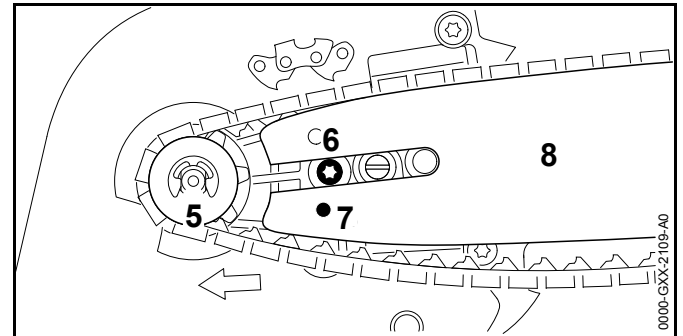
- ▶ Unscrew the nut (1).
- ▶ Remove the chain sprocket cover (2).



- ▶ Turn the tensioning screw (3) counterclockwise until the tensioner slide (4) butts against the left end of the housing.



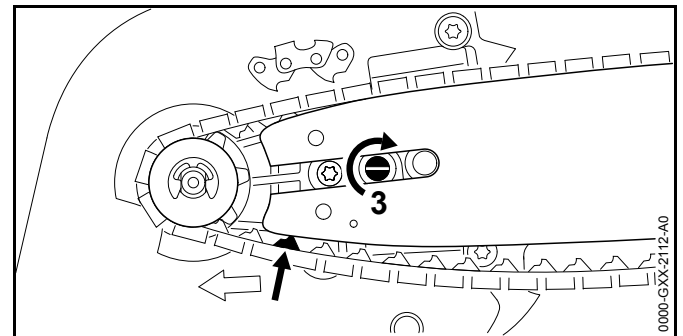
- ▶ Fit the chain in the bar groove so that the arrows on the tie straps on top of the bar point in the direction of rotation.



- ▶ Fit the guide bar and chain on the saw and check the following points:
 - Chain drive links are seated in teeth of chain sprocket (5).
 - Head of screw (6) locates in slot in guide bar (8).
 - Peg of tensioner slide (4) engages hole (7) in guide bar (8).

The guide bar (8) may be either way round. The logo on the guide bar (8) may also be upside down.

- ▶ Disengage the chain brake.



- ▶ Turn the tensioning screw (3) clockwise until the chain fits snugly against the bar. Make sure the drive link tangs engage the bar groove.
- ▶ Fit the sprocket cover (2) so that it is flush with the saw.

- ▶ Fit and tighten down the nut (1).

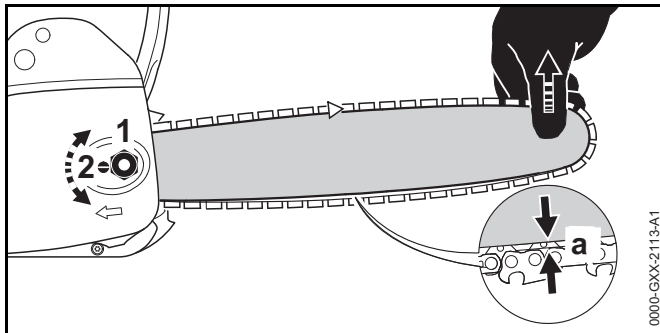
6.1.2 Removing the Bar and Chain

- ▶ Switch off the saw, engage the chain brake and disconnect the extension cable's plug from the wall outlet.
- ▶ Unscrew the nut.
- ▶ Remove the sprocket cover.
- ▶ Turn the tensioning screw counterclockwise as far as stop.
The chain is now slack.
- ▶ Remove the bar and chain.

6.2 Tensioning the Saw Chain

The saw chain expands or contracts during cutting work. Chain tension changes as a result. Check chain tension regularly during operation and readjust if necessary.

- ▶ Switch off the saw, engage the chain brake and disconnect the extension cable's plug from the wall outlet.



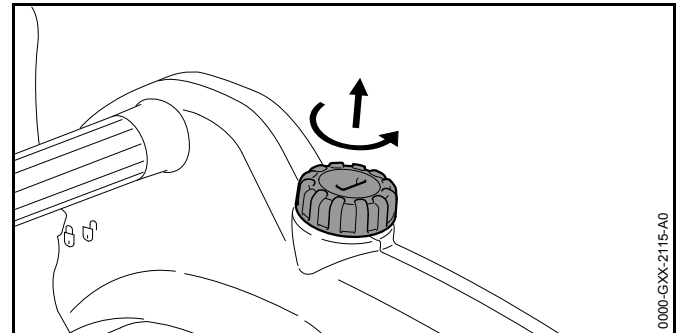
- ▶ Loosen the nut (1).
- ▶ Disengage the chain brake.
- ▶ Hold the bar nose up and turn the tensioning screw (2) clockwise until chain sag 'a' in the center of the bar is 1 - 2 mm.
- ▶ If a Carving guide bar is used: Turn the tensioning screw (2) clockwise until the drive links on the underside of the bar are just half visible.
- ▶ Pull the hand guard back toward the handlebar and hold it there.

- ▶ Pull the chain along the bar with two fingers.
 - ▶ If the effort to pull the chain along the bar by hand is too high: Readjust chain tension.
- ▶ Hold the bar nose up and tighten down the nut (1) firmly.
- ▶ If chain sag 'a' in the center of the bar is not 1 - 2 mm: Readjust chain tension.
- ▶ If you use a Carving bar and the drive links on the underside of the bar are less than half visible: Readjust chain tension.

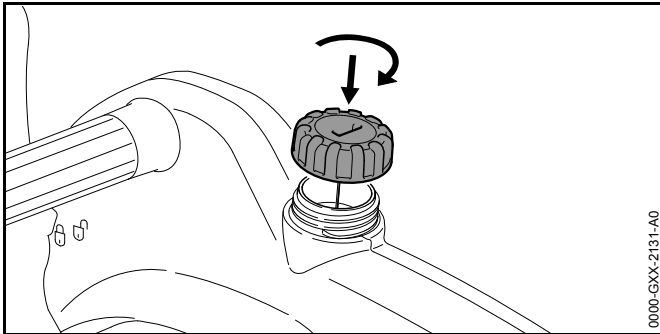
6.3 Filling Up with Chain Oil

Chain oil lubricates and cools the rotating chain.

- ▶ Switch off the saw, engage the chain brake and disconnect the extension cable's plug from the wall outlet.
- ▶ Place your saw on a level surface so that the oil tank cap faces up.
- ▶ Use a damp cloth to clean the tank cap and the area around it.



- ▶ Turn the tank cap counterclockwise until it can be removed.
- ▶ Remove the oil tank cap.
- ▶ Fill up with chain oil, taking care not to spill any oil and do not overfill the tank.



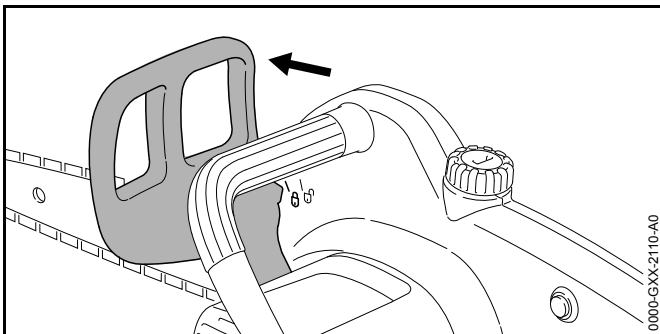
- ▶ Place the tank cap on the tank opening.
- ▶ Turn the tank cap clockwise and tighten it down firmly by hand.
The oil tank is closed.

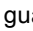
7 Engaging and Disengaging the Chain Brake

7.1 Engaging the Chain Brake

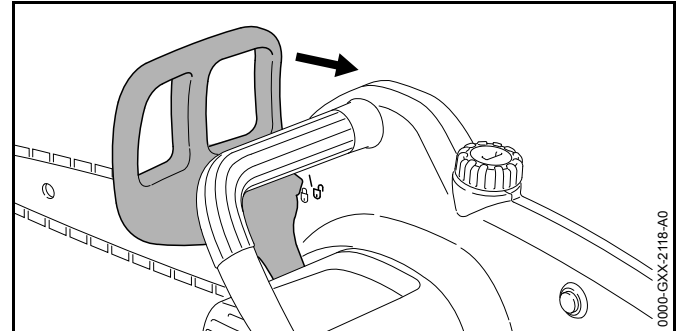
The saw is equipped with a chain brake.

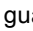
The chain brake is activated by the inertia of the front hand guard if the kickback force is high enough or can be engaged by the operator.



- ▶ Push the hand guard away from the front handle with your left hand.
The hand guard engages with an audible click. The hand guard points to the symbol . The chain brake is engaged.

7.2 Disengaging the Chain Brake

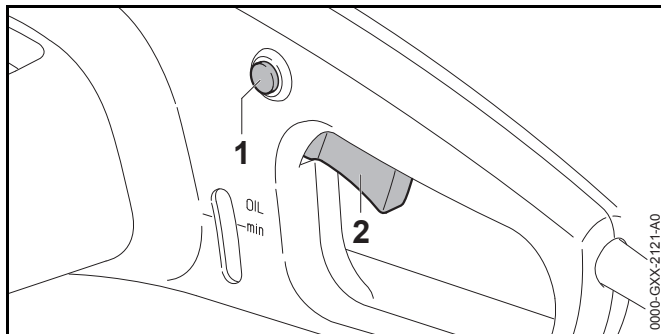


- ▶ Pull the hand guard toward the handlebar with your left hand.
The hand guard engages with an audible click. The hand guard points to the symbol . The chain brake is disengaged.

8 Switching the Saw On/Off

8.1 Switching On

- ▶ Hold the saw with your right hand on the control handle – wrap your thumb around the control handle.
- ▶ Disengage the chain brake.
- ▶ Hold the saw with your left hand on the front handle – wrap your thumb around the handle.



- ▶ Depress the lockout button (1) with your thumb and hold it there.
- ▶ Pull the trigger (2) with your index finger and hold it there. The motor is accelerated and the chain rotates.

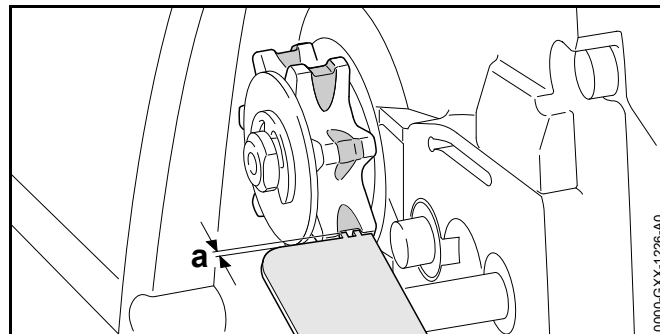
8.2 Switching Off

- ▶ Release the trigger and lockout lever. The chain stops rotating.
- ▶ If the chain continues to rotate: Engage the chain brake, disconnect extension cord's plug from the wall outlet and contact your STIHL servicing dealer. Your saw has a malfunction.

9 Checking the Saw

9.1 Checking the Chain Sprocket

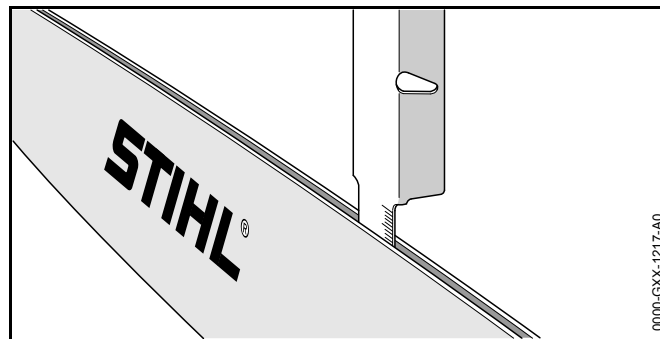
- ▶ Switch off the saw, engage the chain brake and disconnect the extension cord's plug from the wall outlet.
- ▶ Disengage the chain brake.
- ▶ Remove the chain sprocket cover.
- ▶ Remove the bar and chain.




- ▶ Use a STIHL gauge to check the wear marks on the sprocket.
- ▶ If wear marks are deeper than $a = 0.5 \text{ mm}$: Do not use your chain saw and contact your STIHL servicing dealer. The chain sprocket must be replaced.

9.2 Checking the Guide Bar

- ▶ Switch off the saw, engage the chain brake and disconnect the extension cord's plug from the wall outlet.
- ▶ Remove the chain and guide bar.

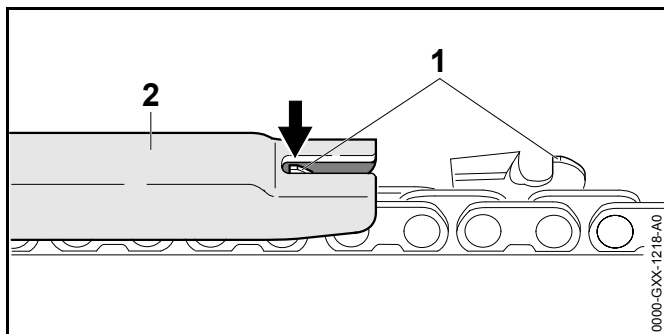



- ▶ Measure depth of bar groove with scale on STIHL filing gauge.
- ▶ Install a new guide bar if one of the following points applies:
 - Guide bar is damaged.
 - Measured bar depth is less than specified minimum depth,  18.4.

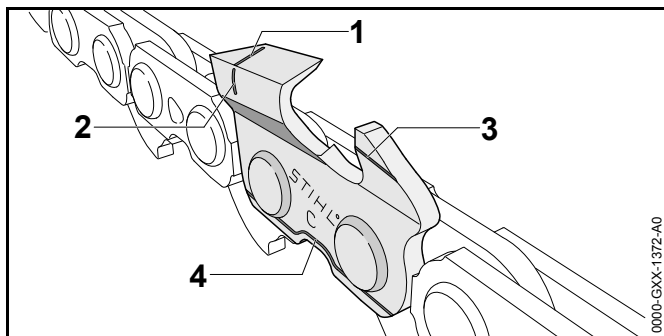
- Bar groove is pinched or splayed.
- ▶ If you have any queries: Contact your STIHL servicing dealer.

9.3 Checking the Saw Chain

- ▶ Switch off the saw, engage the chain brake and disconnect the extension cable's plug from the wall outlet.



- ▶ Use a STIHL filing gauge (2) to check the height of the depth gauges (1). The STIHL filing gauge must match the chain pitch.
- ▶ If a depth gauge (1) projects from the filing gauge (2): Lower the depth gauge (1),  15.3.



- ▶ Make sure the service marks (1 to 4) on the cutters are visible.
- ▶ If one of the service marks is not visible on a cutter: Do not use your chainsaw and contact your STIHL servicing dealer.

- ▶ Use a STIHL filing gauge to check that a filing angle of 30° has been maintained on all cutters. The STIHL filing gauge must match the chain pitch.
- ▶ If a filing angle of 30° has not been maintained: Resharpener the saw chain.
- ▶ If you have any queries: Contact your STIHL servicing dealer.

9.4 Testing the Chain Brake

- ▶ Engage the chain brake and disconnect the extension cable's plug from the wall outlet.

WARNING

The chain's cutters are very sharp. There is a risk of cut injuries.

- ▶ Wear work gloves made of durable material.
- ▶ Try to pull the chain along the guide bar by hand. If the chain cannot be pulled along the bar by hand, the chain brake is functioning.
- ▶ If the chain can be pulled along the bar by hand: Do not use your chainsaw and contact your STIHL servicing dealer. The chain brake is defective.

9.5 Checking the Controls

Lockout button and trigger lever

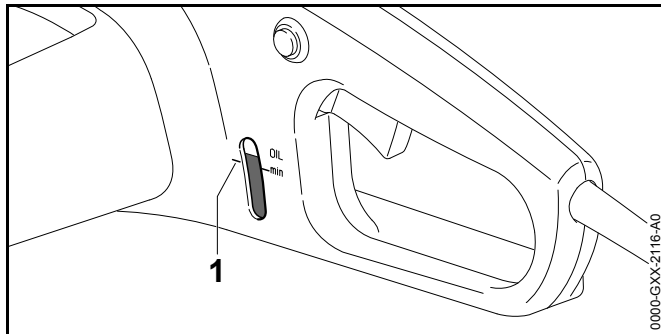
- ▶ Engage the chain brake and disconnect the extension cable's plug from the wall outlet.
- ▶ Attempt to pull the trigger lever without depressing the lockout button.
- ▶ If the trigger can be pulled: Do not use your chainsaw and contact your STIHL servicing dealer. The lockout button is faulty.
- ▶ Depress the lockout button and hold it in that position.
- ▶ Pull the trigger and then let it go.

- ▶ If the trigger is stiff or does not spring back to its idle position: Do not use your chainsaw and contact your STIHL servicing dealer. The trigger has a malfunction.

Switching on

- ▶ Connect the extension cable's plug to a wall outlet.
- ▶ Disengage the chain brake.
- ▶ Depress the lockout button and hold it in that position.
- ▶ Pull the trigger and hold it there. The chain rotates.
- ▶ Release the trigger. The chain stops rotating.
- ▶ If the chain continues to rotate: Engage the chain brake, disconnect extension cable's plug from the wall outlet and contact your STIHL servicing dealer. Your saw has a malfunction.

9.6 Checking Chain Lubrication



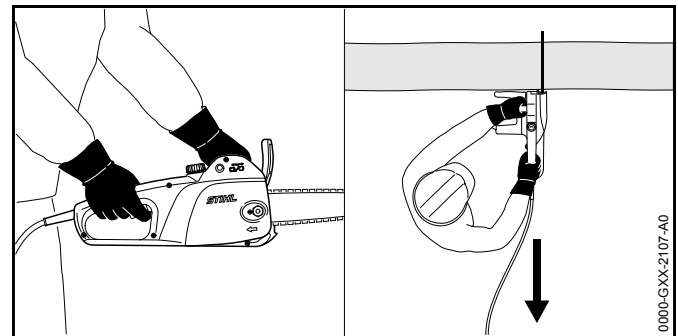
- ▶ Check oil level in inspection window.
- ▶ If level is below "OIL min" (1) mark: Fill up with chain oil. Insufficient chain oil in the tank.
- ▶ Connect the extension cord's plug to a wall outlet.
- ▶ Disengage the chain brake.
- ▶ Hold the guide bar over a light surface.
- ▶ Switch on the saw. Chain oil is thrown off the chain and is visible on the light surface. Chain lubrication is operating properly.

If no chain oil can be seen:

- ▶ Fill up with chain oil.
- ▶ Check chain lubrication again.
- ▶ If chain oil is still not visible on the light surface: Do not use your chain saw and contact your STIHL servicing dealer. Chain lubrication is defective.

10 Operating the Saw

10.1 Holding and Controlling the Chain Saw



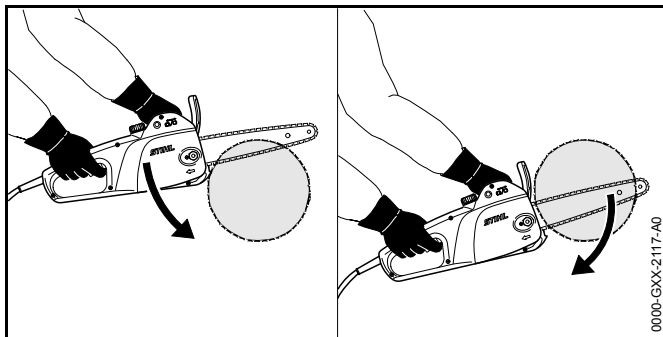
- ▶ Hold and control your saw with your left hand on the front handle and your right hand on the control handle. Wrap thumb of left hand around the front handle and thumb of right handle around the control handle.

10.2 Cutting

WARNING

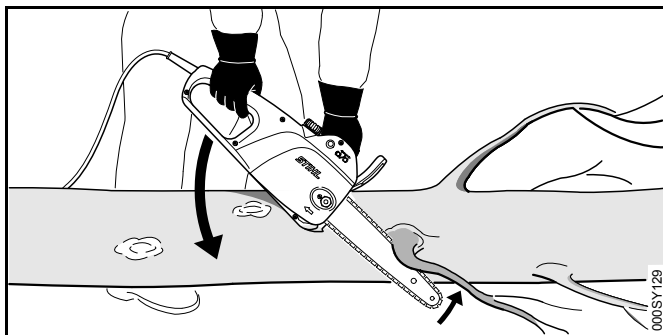
If kickback occurs, the saw can be thrown up in the direction of the operator. This may result in serious or fatal injuries.

- ▶ Always cut with the chain running at full speed.
 - ▶ Do not cut with the upper quadrant of the bar nose.
-
- ▶ Begin the cut with the chain running at full speed and keep the guide bar vertical.

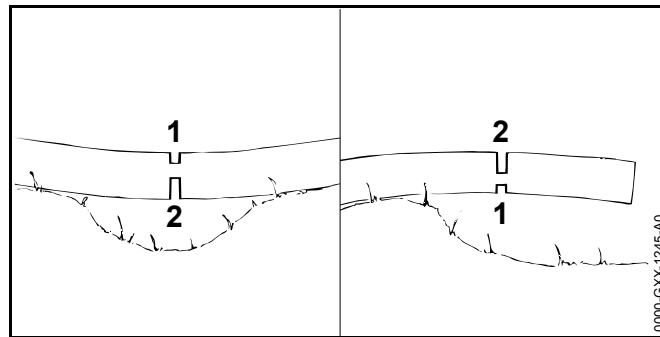


- ▶ Engage the bumper spike and use it as a fulcrum.
- ▶ Guide the full width of the bar into the wood and reposition the bumper spike as required.
- ▶ Take the weight of the saw at the end of the cut.

10.3 Limbing



- ▶ Support the saw on the log.
- ▶ With the chain running a full speed, pivot the bar upwards against the limb.
- ▶ Cut through the limb with the top of the bar.

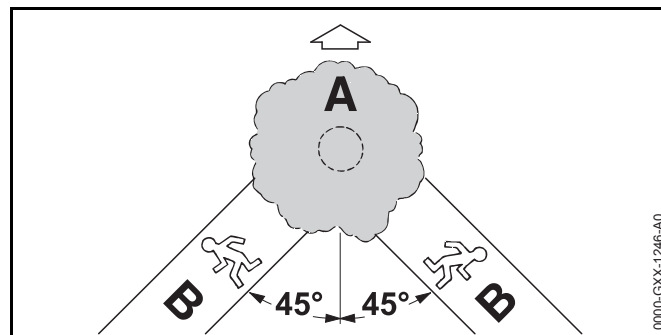


- ▶ If the limb is under tension: Make the relieving cut (1) at the compression side and then perform bucking cut (2) from the tension side.

10.4 Felling

10.4.1 Determining direction of fall and escape path

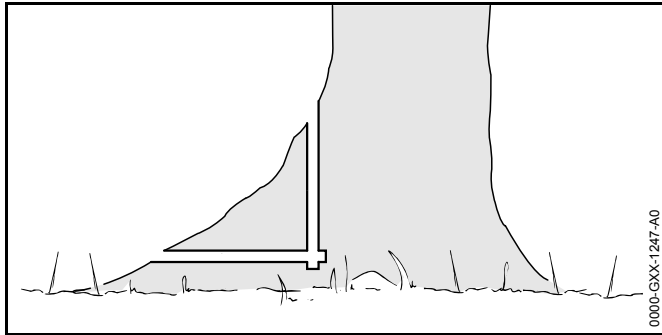
- ▶ Determine direction of fall so that the area in which the tree falls is clear.



- ▶ Observe the following points when planning escape path (B):
 - Escape path (B) at an angle of 45° to direction of fall (A).
 - No obstacles on the escape path (B).
 - The top of the tree can be observed.
 - If the escape path (B) is on a slope, it must be parallel to the slope.

10.4.2 Preparing work area at base of tree

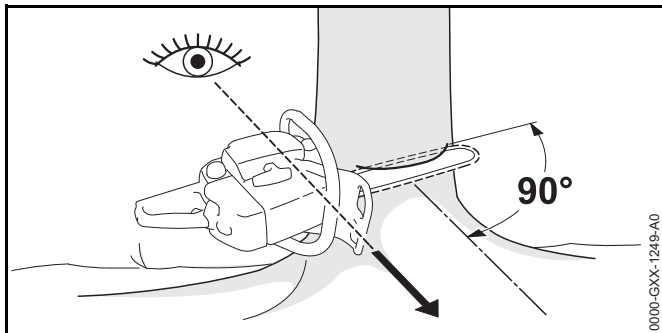
- ▶ Remove obstacles from work area at tree base.
- ▶ Remove growth from tree base.



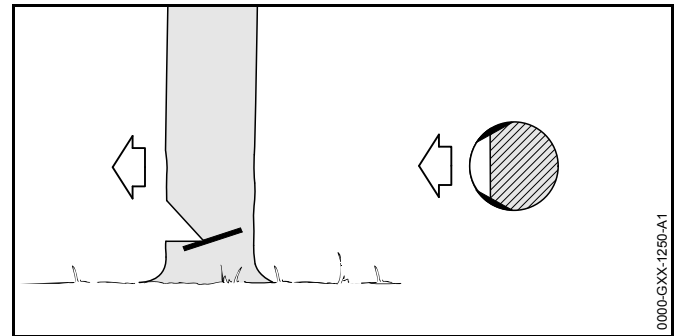
- ▶ If the tree has large, healthy buttress roots: Make vertical cut first and then a horizontal cut, and remove the resulting piece.

10.4.3 Cutting the felling notch

The felling notch determines the direction in which the tree falls. Country-specific standards for making the felling notch must be observed.

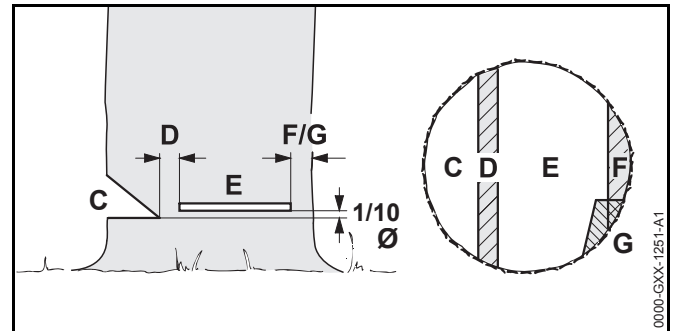


- ▶ Position the saw so that the felling notch is at a right angle to the direction of fall and the saw is close to the ground.
- ▶ Make the horizontal cut.
- ▶ Make the angle cut at 45° to the horizontal cut.



- ▶ If the wood is sound and long-fibered: Observe the following points when making sapwood cuts:
 - The cuts must be the same at both sides.
 - The cuts must be at same height as bottom of felling notch.
 - The width of the cuts is 1/10 of the trunk diameter. The trunk does not splinter when the tree falls.

10.4.4 Basic information on felling cut



C Felling notch

The felling notch determines the direction of fall.

D Hinge

The hinge helps control the falling tree. The width of the hinge is 1/10 of the trunk diameter.

E Felling cut

The tree is felled with the felling cut. The felling cut is 1/10 of the trunk diameter (at least 3 cm) above the bottom of the felling notch.

F Stabilizing strap

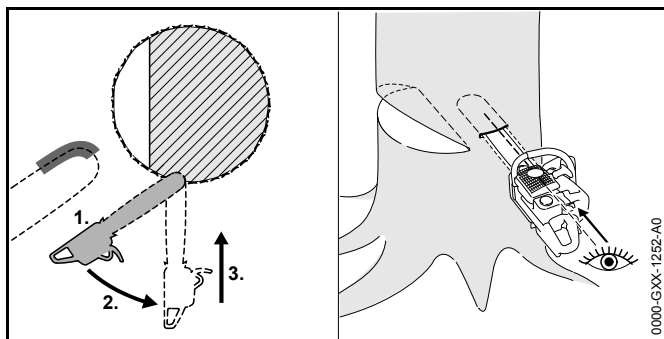
The stabilizing strap supports the tree and helps prevent it from falling prematurely. The width of the stabilizing strap is 1/10 to 1/5 of the trunk diameter.

G Holding strap

The holding strap supports the tree and helps prevent it from falling prematurely. The width of the holding strap is 1/10 to 1/5 of the trunk diameter.

10.4.5 Plunge cutting

Plunge cutting is a technique required for felling.



- ▶ Begin cut with the lower portion of the guide bar nose – with chain running at full speed.
- ▶ Cut until depth of kerf is twice the width of the guide bar.
- ▶ Swing the saw into plunge-cutting position.
- ▶ Perform the plunge cut

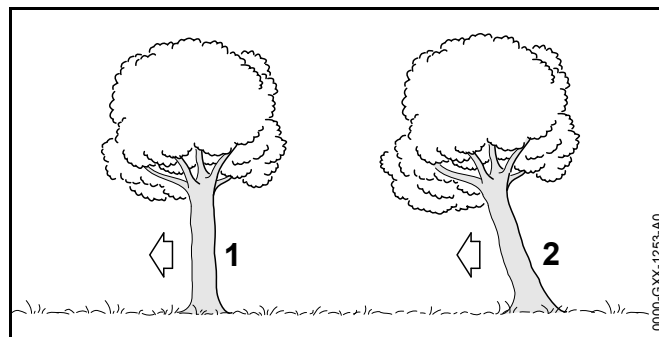
10.4.6 Selecting the Appropriate Felling Cut

The choice of appropriate felling cut depends on the following conditions:

- The natural inclination of the tree
- The tree's branch formation

- Damage to the tree
- The tree's state of health
- If there is snow on the tree: the snow load
- The direction of slope
- Wind direction and speed
- Nearby trees, if any

There are different features of these conditions. Only two features are described in this Instruction Manual.

**1 Normal tree**

A normal tree is vertical and has an even crown.

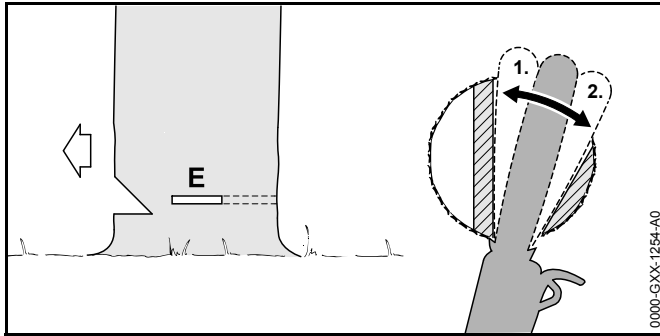
2 Leaner

A leaner stands at an angle and the crown faces in the direction of fall.

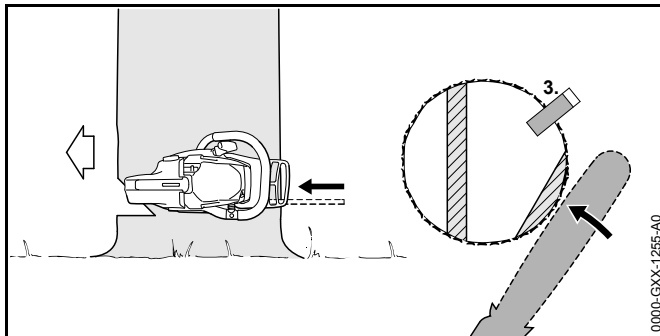
10.4.7 Felling normal, small diameter tree

A normal tree is felled with a felling cut and stabilizing strap. This felling cut must be performed if the tree diameter is less than the guide bar's length.

- ▶ Shout a warning.



- ▶ Plunge the guide bar into the felling cut until it is visible at the other side of the trunk, 10.4.5.
- ▶ Apply the spiked bumper behind the hinge and use it as a pivot.
- ▶ Enlarge felling cut in direction of hinge.
- ▶ Enlarge felling cut in direction of stabilizing strap.

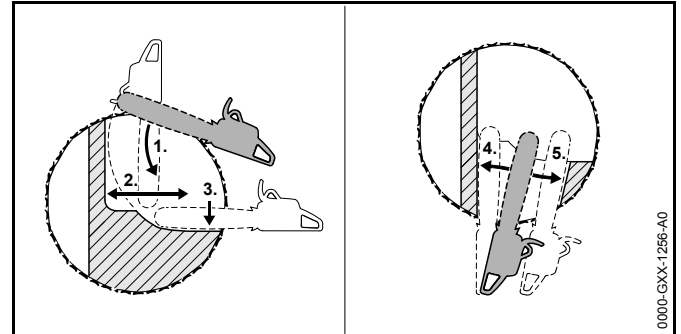


- ▶ Insert a felling wedge. The felling wedge must match the tree diameter and the width of the felling cut.
- ▶ Shout a warning.
- ▶ With outstretched arms, cut through the stabilizing strap horizontally from outside at the same level as the felling cut.
The tree falls.

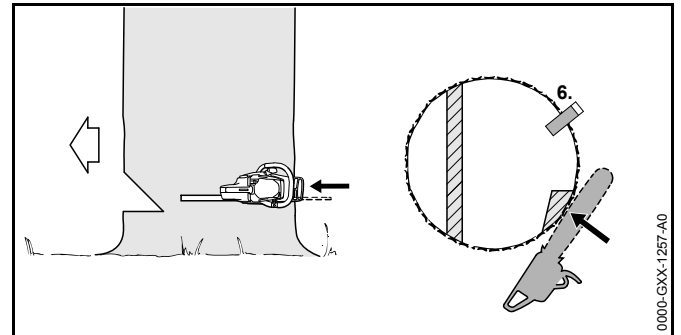
10.4.8 Felling normal, large diameter tree

A normal tree is felled with a felling cut and stabilizing strap. This felling cut must be performed if the tree diameter is greater than the guide bar's length.

- ▶ Shout a warning.



- ▶ Apply the spiked bumper at the same height as the felling cut and use it as a pivot.
- ▶ Hold the saw horizontally and swing it into the felling cut as far as possible.
- ▶ Enlarge felling cut in direction of hinge.
- ▶ Enlarge felling cut in direction of stabilizing strap.
- ▶ Move to the other side of the tree.
- ▶ Plunge the guide bar into the felling cut at the same height.
- ▶ Enlarge felling cut in direction of hinge.
- ▶ Enlarge felling cut in direction of stabilizing strap.

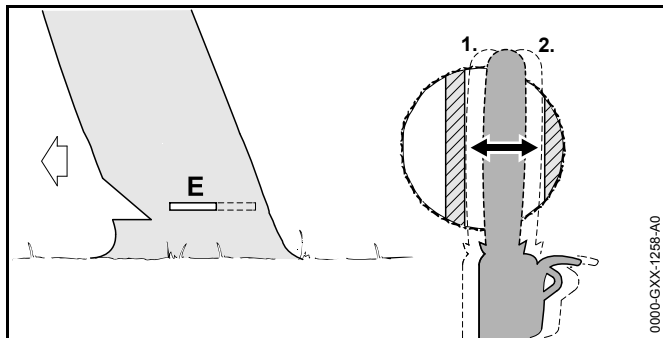


- ▶ Insert a felling wedge. The felling wedge must match the tree diameter and the width of the felling cut.
- ▶ Shout a warning.
- ▶ With outstretched arms, cut through the stabilizing strap horizontally from outside at the same level as the felling cut.
The tree falls.

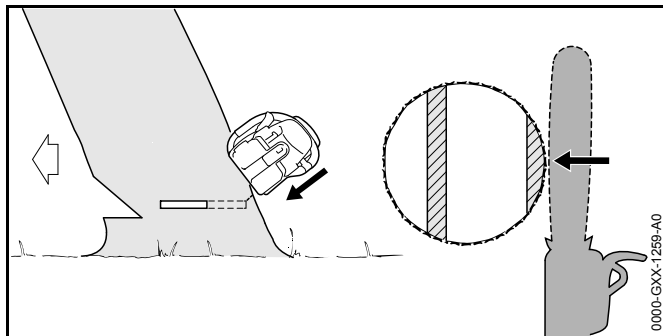
10.4.9 Felling a small diameter leaner

A leaner is felled with a felling cut and holding strap. This felling cut must be performed if the tree diameter is less than the guide bar's length.

- ▶ Shout a warning.



- ▶ Plunge the guide bar into the felling cut until it is visible at the other side of the trunk, 10.4.5.
- ▶ Enlarge felling cut in direction of hinge.
- ▶ Enlarge felling cut in direction of holding strap.

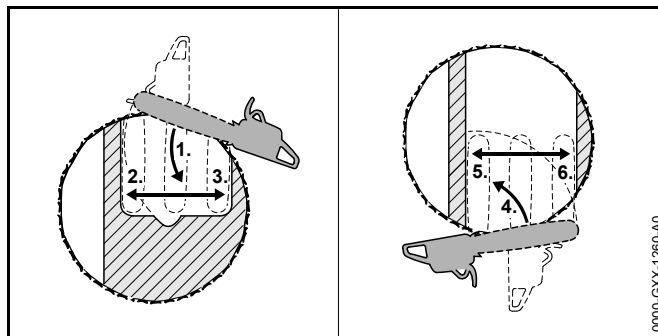


- ▶ Shout a warning.
- ▶ With arms outstretched, cut through the holding strap from outside at a downward angle.
The tree falls.

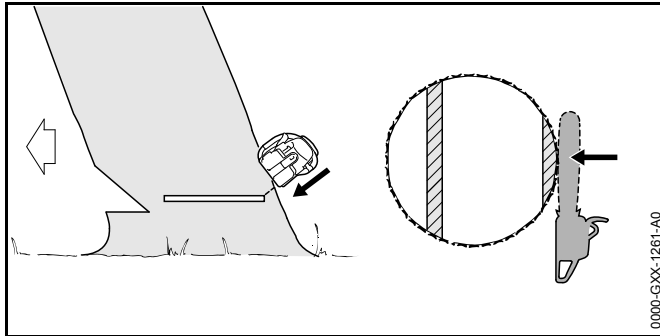
10.4.10 Felling a large diameter leaner

A leaner is felled with a felling cut and holding strap. This felling cut must be performed if the tree diameter is greater than the guide bar's length.

- ▶ Shout a warning.



- ▶ Apply the spiked bumper behind the holding strap at the same height as the felling cut and use it as a pivot.
- ▶ Hold the saw horizontally and swing it into the felling cut as far as possible.
- ▶ Enlarge felling cut in direction of hinge.
- ▶ Enlarge felling cut in direction of holding strap.
- ▶ Move to the other side of the tree.
- ▶ Apply the spiked bumper behind the hinge at the same height as the felling cut and use it as a pivot.
- ▶ Hold the saw horizontally and swing it into the felling cut as far as possible.
- ▶ Enlarge felling cut in direction of hinge.
- ▶ Enlarge felling cut in direction of holding strap.

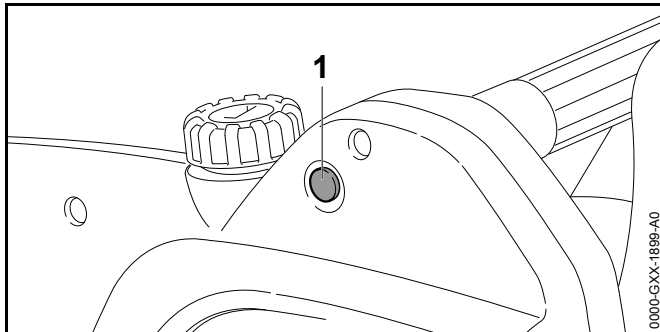


- ▶ Shout a warning.
- ▶ With arms outstretched, cut through the holding strap from outside at a downward angle. The tree falls.

10.5 Resetting Overload Protection

The chain saw is equipped with overload protection. The overload protection interrupts the power supply to the chain saw in the case of mechanical overload. The overload protection thus prevents damage to the saw.

- ▶ Pull the guide bar out of the cut.
- ▶ Wait a few minutes. The chain saw must cool down.



- ▶ Depress the reset button (1). The reset button (1) engages in position. The circuit is no longer interrupted.

- ▶ If the reset button (1) does not engage in position: Wait a few minutes and then depress the reset button (1) again. The saw has not cooled down sufficiently.
- ▶ Switch on the saw and run it at full speed for about 15 seconds. This cools the motor and considerably delays the overload protection tripping again.

11 After Finishing Work

11.1 After Finishing Work

- ▶ Switch off the saw, engage the chain brake and disconnect the extension cable's plug from the wall outlet.
- ▶ Disconnect the saw's plug from the extension cable.
- ▶ Clean the saw.
- ▶ Clean the bar and chain.
- ▶ Loosen nut on the chain sprocket cover.
- ▶ Turn the tensioning screw two full turns counterclockwise. The chain is now slack.
- ▶ Tighten down the nut.
- ▶ Fit the scabbard so that it completely covers the guide bar.

12 Transporting

12.1 Transporting the Chainsaw

- ▶ Switch off the saw, engage the chain brake and disconnect the extension cable's plug from the wall outlet.
- ▶ Disconnect the saw's plug from the extension cable.
- ▶ Fit the scabbard so that it completely covers the guide bar.
- ▶ Carry the saw by holding the front handle in your right hand with the guide bar pointing to the rear.
- ▶ Transporting the saw in a vehicle: Secure the saw to prevent turnover and movement.

13 Storing

13.1 Storing the Chainsaw

- ▶ Switch off the saw, engage the chain brake and disconnect the extension cable's plug from the wall outlet.
- ▶ Disconnect the saw's plug from the extension cable.
- ▶ Fit the scabbard so that it completely covers the guide bar.
- ▶ Observe the following points when storing the saw:
 - Saw is out of the reach of children.
 - The saw is clean and dry.
- ▶ If you store the saw for more than 3 months: Remove the bar and chain.

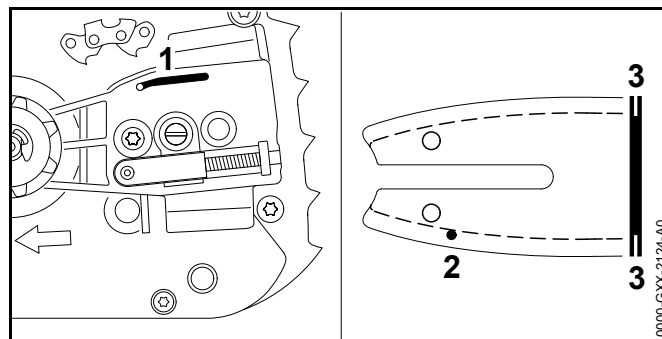
14 Cleaning

14.1 Cleaning the Saw

- ▶ Switch off the saw, engage the chain brake and disconnect the extension cord's plug from the wall outlet.
- ▶ Clean the saw with a damp cloth or STIHL resin solvent.
- ▶ Remove the chain sprocket cover.
- ▶ Clean the area around the sprocket with a damp cloth or STIHL resin solvent.
- ▶ Fit the chain sprocket cover.

14.2 Cleaning the Bar and Chain

- ▶ Switch off the saw, engage the chain brake and disconnect the extension cord's plug from the wall outlet.
- ▶ Remove the bar and chain.



- ▶ Clean the oil port (1), oil inlet hole (2) and bar groove (3) with a soft brush or STIHL resin solvent.
- ▶ Clean the saw chain with a soft brush or STIHL resin solvent.
- ▶ Mount the bar and chain.

15 Maintenance

15.1 Maintenance Intervals

The maintenance intervals are dependent on the environmental and operating conditions. STIHL recommends the following maintenance intervals:

Chain brake

- ▶ Have the chain brake serviced by a STIHL servicing dealer at the following intervals:
 - Full-time usage: every 3 months
 - Part-time usage: every 6 months
 - Occasional usage: every 12 months

Weekly

- ▶ Check the chain sprocket.
- ▶ Check and deburr the guide bar.
- ▶ Check and sharpen the saw chain.

Monthly

- ▶ Have the oil tank cleaned by a STIHL servicing dealer.

15.2 Deburring the Guide Bar

A burr can build up on the outer edge of the guide bar.

- ▶ Remove burr with a flat file or a STIHL guide bar dressing tool.
- ▶ If you have any queries: Contact your STIHL servicing dealer.

15.3 Sharpening the Saw Chain

Correctly sharpening saw chains requires a lot of practice.

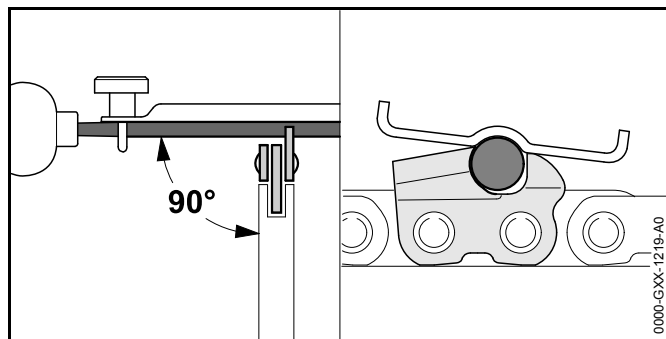
STIHL files, STIHL filing aids, STIHL sharpeners and the brochure "Sharpening STIHL Saw Chains" help you achieve the right results. To obtain the brochure visit <http://www.stihl.com/sharpening-brochure>.

STIHL recommends you have saw chains resharpened by a STIHL servicing dealer.

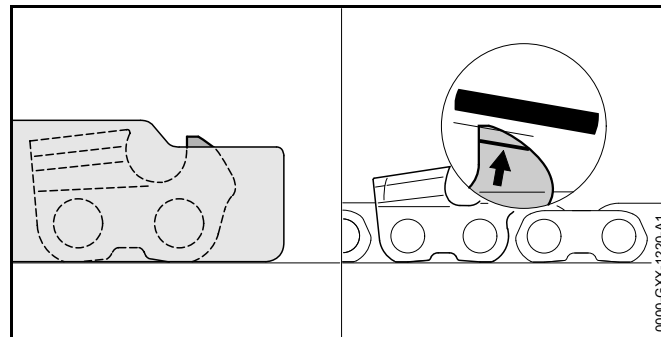
WARNING

The chain's cutters are very sharp. There is a risk of cut injuries.

- ▶ Wear work gloves made of durable material.



- ▶ File each cutter with a round file so that the following points are observed:
 - Round file matches the chain pitch.
 - File from the inside to the outside of the cutter.
 - Hold the file at right angle to the guide bar.
 - Maintain a filing angle of 30°.



- ▶ File down the depth gauges with a flat file so that they are level with the STIHL filing gauge and parallel to the service mark. The STIHL filing gauge must match the chain pitch.
- ▶ If you have any queries: Contact your STIHL servicing dealer for assistance.

16 Repairing





16.1 Repairing the Chain Saw, Guide Bar and Saw Chain

The chain saw, guide bar and saw chain cannot be repaired by the user.

- ▶ If the saw, guide bar or saw chain is damaged: Do not use your saw, guide bar or saw chain, and contact your STIHL servicing dealer.

17 Troubleshooting

17.1 Troubleshooting Chainsaw

Condition	Cause	Remedy
Saw does not start when switched on.	Connecting cable plug or extension cable plug not connected.	▶ Reconnect connecting cable plug or extension cable plug.
	Miniature circuit breaker (fuse) or ground fault circuit interrupter has tripped. Circuit is overloaded or faulty.	▶ Determine reason for circuit breaker tripping and rectify the problem. Switch on miniature circuit breaker (fuse) or ground fault circuit interrupter. ▶ Switch off other consumers in the same circuit.
	Wall outlet's fuse rating is too low.	▶ Insert the connecting cable plug in a wall outlet with the correct fuse rating,  18.1.
	Wire gauge of extension cable is wrong.	▶ Use an extension cable of the right wire gauge.  18.2
	The extension cable is too long.	▶ Use an extension cable of the correct length,  18.2
	The chain brake is engaged.	▶ Disengage the chain brake.
	The chain is over-tensioned.	▶ Tension the chain properly.
Saw cuts out during operation	Bar nose sprocket is blocked.	▶ Clean the bar nose sprocket with STIHL resin solvent.
	Connecting cable plug or extension cable plug has been pulled out of wall outlet.	▶ Reconnect connecting cable plug or extension cable plug.
	Miniature circuit breaker (fuse) or ground fault circuit interrupter has tripped. Circuit is overloaded or faulty.	▶ Determine reason for circuit breaker tripping and rectify the problem. Switch on miniature circuit breaker (fuse) or ground fault circuit interrupter. ▶ Switch off other consumers in the same circuit.
	Wall outlet's fuse rating is too low.	▶ Insert the connecting cable plug in a wall outlet with the correct fuse rating,  18.1.
	The overload protection has tripped.	▶ Clean the saw. ▶ Tension the chain properly. ▶ Reset overload protection.

Condition	Cause	Remedy
Smoke or burning smell while cutting.	Chain is not properly sharpened.	▶ Sharpen the chain properly.
	Chain lubrication system is supplying insufficient chain oil.	▶ Do not use your saw and have chain lubrication checked by a STIHL servicing dealer.
	Chainsaw is not being used properly.	▶ Have correct use explained, then practice.

18 Specifications

18.1 STIHL MSE 141 C Chainsaw

- Rated voltage: see rating label
- Frequency: see rating label
- Fuse: 16 A
- Power consumption: 1400 W
- Weight without guide bar and saw chain: 4.1 kg
- Max. oil tank capacity: 215 cc (0.215 l)
- Electrical protection class: II
- Type of electrical protection: IP20 (protection against contact with fingers; protection against ingress of foreign matter with a diameter > 12 mm)

18.2 Extension Cords

If an extension cord is used, the cross sectional area of its conductors must meet the following minimum requirements – depending on the line voltage and length of the extension cord:

220 V to 240 V

- Cord length up to 20 m: AWG 15 / 1.5 mm²
- Cord length 20 m up to 50 m: AWG 13 / 2.5 mm²

100 V to 127 V

- Cord length up to 10 m: AWG 14 / 2.0 mm²
- Cord length 10 m up to 30 m: AWG 12 / 3.5 mm²

18.3 Chain Sprockets and Chain Speeds

The following chain sprockets may be used:

- 7-tooth for 3/8" P
 - Maximum chain speed according to ISO 11681: 14.6 m/s
- 8-tooth for 1/4" P

- Maximum chain speed according to ISO 11681: 11.1 m/s

18.4 Minimum Groove Depth of Guide Bars

The minimum groove depth depends on the pitch of the guide bar.

- 1/4" P: 4 mm
- 3/8" P: 5 mm

18.5 Noise and Vibration Data

K-value for sound pressure level is 2 dB(A). K-value for sound power level is 2 dB(A). K-value for vibration level is 2 m/s².

STIHL recommends that you wear hearing protection.

- Sound pressure level L_{pA} measured according to EN 60745-2-13: 90 dB(A)
- Sound power level L_{WA} measured according to EN 60745-2-13: 101 dB(A)
- Vibration level a_{hv} measured according to EN 60745-2-13;
 - Control handle: < 4.2 m/s². K-value for vibration level is 2 m/s².
 - Handlebar: < 3.3 m/s².

The vibration values quoted above have been measured according to a standardized test procedure and may be used to compare electric power tools. Depending on the type of usage, the vibrations that actually occur may differ from the values quoted. The vibration values quoted may be used for an initial assessment of the user's exposure to vibrations. The actual exposure to vibrations has to be estimated. This process may also take into account times during which the electric power tool is switched off and times during which it is switched on but running off load.

Information on compliance with Vibration Directive 2002/44/EC is available at www.stihl.com/vib.

18.6 REACH

REACH is an EC regulation and stands for the Registration, Evaluation, Authorisation and Restriction of Chemical substances.

For information on compliance with the REACH regulation see www.stihl.com/reach.

19 Bar and Chain Combinations


19.1 STIHL MSE 141 C Chainsaw

Pitch	Drive link gauge/groove width	Length	Guide bar	Nose sprocket teeth	Number of drive links	Saw chain
1/4" P	1.1 mm	25 cm	Rollomatic E Mini	8	56	71 PM3 (Type 3670)
		30 cm			64	
		35 cm			72	
3/8" P	1.1 mm	30 cm	Rollomatic E Mini	7	44	61 PMM3 (Type 3610)
		35 cm			50	
		40 cm			55	

The cutting length of a guide bar depends on the chainsaw and the saw chain being used. Actual cutting length may be less than the specified length

20 Spare Parts and Accessories

20.1 Spare Parts and Accessories

STIHL  These symbols identify original STIHL replacement parts and original STIHL accessories.

STIHL recommends the use of original STIHL replacement parts and accessories.

Original STIHL replacement parts and original STIHL accessories are available from STIHL servicing dealers.

21 Disposal

21.1 Disposing of Chain Saw

Contact your STIHL servicing dealer for information on disposal.

- ▶ Dispose of the saw, guide bar, saw chain, accessories and packaging in accordance with local regulations and environmental requirements.

22 EC Declaration of Conformity

22.1 STIHL MSE 141 C Chainsaw

ANDREAS STIHL AG & Co. KG
Badstrasse 115
D-71336 Waiblingen
Germany

declare in exclusive responsibility that

- Category: Electric chainsaw
- Make: STIHL
- Model: MSE 141 C
- Serial identification: 1208

conforms to the relevant provisions of Directives 2011/65/EU, 2006/42/EC, 2014/30/EU and 2000/14/EC and has been developed and manufactured in compliance with the following standards in the versions valid on the date of production: EN 55014-1, EN 55014-2, EN 60745-1 and EN 60745-2-13.

The EC type examination in accordance with Directive 2006/42/EC Article 12.3(b) was carried out at VDE Prüf- u. Zertifizierungsinstitut (NB 0366), Merianstraße 28, 63069 Offenbach, Germany

- Certification number 40044665

The measured and guaranteed sound power levels were determined according to Directive 2000/14/EC, Annex V.

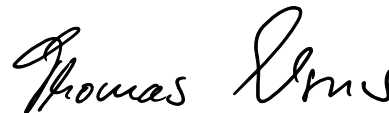
- Measured sound power level: 103 dB(A)
- Guaranteed sound power level: 105 dB(A)

Technical documents are deposited at ANDREAS STIHL AG & Co. KG Produktzulassung (Product Licensing).

The year of manufacture, country of manufacture and serial number are applied to the chainsaw.

Done at Waiblingen, 01.03.2017

ANDREAS STIHL AG & Co. KG



Thomas Elsner, Director Product Management and Services

23 General Power Tool Safety Warnings

23.1 Introduction

This chapter reproduces the pre-formulated, general safety warnings in the EN/IEC 60745 standard (for China only: GB 3883.1) for hand-held motor-operated electric power tools.

STIHL is obliged to publish these texts.


WARNING

Read all the safety precautions, instructions, illustrations and specifications accompanying this electric power tool. Failure to follow the safety warnings and instructions may result in electric shock, fire and/or serious injury. Save all safety warnings and instructions for future reference.

The term "electric power tool" in the safety warnings refers to mains-operated (corded) power tools or battery-operated (cordless) power tools.

23.2 Work area safety

- a) **Keep work area clean and well lit.** Cluttered or dark areas invite accidents.
- b) **Do not operate power tools in explosive atmospheres, such as in the presence of flammable liquids, gases or dust.** Power tools create sparks which may ignite the dust or fumes.
- c) **Keep children and bystanders away while operating a power tool.** Distractions can cause you to lose control.

23.3 Electrical safety

- a) **Power tool plugs must match the outlet. Never modify the plug in any way. Do not use any adapter plugs with earthed (grounded) power tools.** Unmodified plugs and matching outlets will reduce risk of electric shock.
- b) **Avoid body contact with earthed or grounded surfaces, such as pipes, radiators, ranges and refrigerators.** There is an increased risk of electric shock if your body is earthed or grounded.
- c) **Do not expose power tools to rain or wet conditions.** Water entering a power tool will increase the risk of electric shock.

- d) **Do not abuse the cord. Never use the cord for carrying, hanging up, pulling or unplugging the power tool. Keep cord away from heat, oil, sharp edges or moving parts.** Damaged or entangled cords increase the risk of electric shock.
- e) **When operating a power tool outdoors, use an extension cord suitable for outdoor use.** Use of a cord extension suitable for outdoor use reduces the risk of electric shock.
- f) **If operating a power tool in a damp location is unavoidable, use a residual current device (RCD) protected supply.** Use of an RCD reduces the risk of electric shock.

23.4 Personal safety

- a) **Stay alert, watch what you are doing and use common sense when operating a power tool. Do not use a power tool while you are tired or under the influence of drugs, alcohol or medication.** A moment of inattention while operating power tools may result in serious personal injury.
- b) **Use personal protective equipment. Always wear eye protection.** Protective equipment such as dust mask, non-skid safety shoes, hard hat, or hearing protection used for appropriate conditions will reduce personal injuries.
- c) **Prevent unintentional starting. Ensure the switch is in the off position before connecting to power source and/or battery pack, picking up or carrying the power tool.** Carrying power tools with your finger on the switch or energizing power tools that have the switch on invites accidents.
- d) **Remove any adjusting key or wrench before turning the power tool on.** A wrench or a key left attached to a rotating part of the power tool may result in personal injury.
- e) **Do not overreach. Keep proper footing and balance at all times.** This enables better control of the power tool in unexpected situations.
- f) **Dress properly. Do not wear loose clothing or jewelry. Keep your hair, clothing and gloves away from moving parts.** Loose clothes, jewelry or long hair can be caught in moving parts.

- g) **If dust extraction and collection devices can be mounted, they should be connected and used correctly.** Use of dust collection can reduce dust-related hazards.
- h) **Do not be lulled into a false sense of security and do not disregard the safety rules even if you are thoroughly familiar with the electric power tool.** Carelessness can result in serious injuries within fractions of a second.

23.5 Power tool use and care

- a) **Do not force the power tool. Use the correct power tool for your application.** The correct power tool will do the job better and safer at the rate for which it was designed.
- b) **Do not use the power tool if the switch does not turn it on and off.** Any power tool that cannot be controlled with the switch is dangerous and must be repaired.
- c) **Disconnect the plug from the power source and/or take a removable battery pack out of the power tool before making any adjustments, changing accessories, or storing power tools.** Such preventive safety measures reduce the risk of starting the power tool accidentally.
- d) **Store idle power tools out of the reach of children and do not allow persons unfamiliar with the power tool or these instructions to operate the power tool.** Power tools are dangerous in the hands of untrained users.
- e) **Maintain power tools and accessories with care. Check for misalignment or binding of moving parts, breakage of parts and any other condition that may affect the power tool's operation. If damaged, have the power tool repaired before use.** Many accidents are caused by poorly maintained power tools.
- f) **Keep cutting attachments sharp and clean.** Properly maintained cutting attachments with sharp cutting edges are less likely to bind and are easier to control.
- g) **Use the power tool, accessories, tool bits etc. in accordance with these instructions, taking into account the working conditions and the work to be performed.** Use of the power tool for operations different from those intended could result in a hazardous situation.

- h) **Keep handles and grip surfaces dry, clean and free from oil and grease.** Slippery handles and grip surfaces do not allow proper operation and control of the power tool in unforeseen situations.

23.6 Service

- a) **Have your electric power tool serviced by a qualified repair person using only original replacement parts.** This will ensure that the safety of the power tool is maintained.

23.7 Chain Saw Safety Warnings

- **Keep all parts of the body away from the saw chain when the chain saw is operating, make sure the saw chain is not contacting anything.** A moment of inattention while operating chain saws may cause entanglement of your clothing or body with the chain saw.
- **Always hold the chain saw with your right hand on the rear handle and your left hand on the front handle.** Holding the chain saw the other way round increases the risk of injury and may not be used.
- **Always hold your electric power tool by the insulated handles because the saw chain may contact your own power cord.** Any saw chain contact with a live wire may energize metallic parts of the power tool and result in an electric shock.
- **Wear safety glasses and hearing protection. Further protective equipment for head, hands, legs and feet is recommended.** Suitable protective clothing helps reduce the risk of injury from thrown wood chips and accidental contact with the saw chain.
- **Do not operate a chain saw in a tree.** There is an increased risk of injury when working in a tree.
- **Always keep proper footing and operate the chain saw only when standing on a fixed, secure and level surface.** A slippery surface or instable support such as a ladder could cause the operator to lose control of the chain saw.

- **When cutting a limb that is under tension be alert for spring back.** When the tension in the wood fibres is released the spring loaded limb may strike the operator and/or throw the chain saw out of control.
- **Use extreme caution when cutting brush and saplings.** The slender material may catch the saw chain and be whipped toward you or pull you off balance.
- **Carry the chain saw by the front handle with the chain saw switched off and away from your body. When transporting or storing the chain saw always fit the guide bar scabbard.** Proper handling of the chain saw will reduce the likelihood of accidental contact with the moving saw chain.
- **Follow instructions for lubricating, chain tensioning and changing accessories.** Improperly tensioned or lubricated chain may either break or increase the chance for kickback.
- **Keep handles dry, clean and free from oil and grease.** Greasy, oily handles are slippery causing loss of control.
- **Cut wood only. Do not use chain saw for purposes not intended. Example: do not use chain saw for cutting plastic, masonry or non-wood building materials.** Use of the chain saw for operations different than intended could result in a hazardous situation.

23.8 Causes and operator prevention of kickback:

Kickback may occur when the nose or tip of the guide bar touches an object, or when the wood closes in and pinches the saw chain in the cut.

Tip contact in some cases may cause a sudden reverse reaction, kicking the guide bar up and back towards the operator.

Pinching the saw chain along the top of the guide bar may push the guide bar rapidly back towards the operator.

Either of these reactions may cause you to lose control of the saw which could result in serious personal injury. Do not rely exclusively upon the safety devices built into your saw. As a chain saw user, you should take several steps to keep your cutting jobs free from accident or injury.

Kickback is the result of tool misuse and/or incorrect operating procedures and can be avoided by taking proper precautions as given below:

- **Maintain a firm grip, with thumbs and fingers encircling the chain saw handles, with both hands on the saw and position your body and arm to allow you to resist kickback forces.** Kickback forces can be controlled by the operator, if proper precautions are taken. Do not let go of the chain saw.
- **Do not overreach and do not cut above shoulder height.** This helps prevent unintended tip contact and enables better control of the chain saw in unexpected situations.
- **Only use replacement bars and chains specified by the manufacturer.** Incorrect replacement bars and chains may cause chain breakage and/or kickback.
- **Follow the manufacturer's sharpening and maintenance instructions for the saw chain.** Decreasing the depth gauge height can lead to increased kickback.

0458-729-0121-A

englisch



www.stihl.com



0458-729-0121-A