

STIHL

STIHL HTA 135

Instruction Manual



Contents

1	Introduction	2	8	Removing and Fitting the Battery	20
2	Guide to Using this Manual	2	8.1	Inserting the Battery	20
2.1	Applicable Documents	2	8.2	Removing the Battery	20
2.2	Symbols used with warnings in the text	3	9	Switching Pole Pruning On and Off	21
2.3	Symbols in Text	3	9.1	Switching on the Pole Pruner	21
3	Overview	3	9.2	Switching the Pole Pruner Off	21
3.1	STIHL HTA 135 Pole Pruner and Battery	3	10	Checking Pole Pruner and Battery	21
3.2	Icons	4	10.1	Checking the Chain Sprocket	21
4	Safety Precautions	5	10.2	Checking the Guide Bar	21
4.1	Warning Symbols	5	10.3	Checking the Saw Chain	22
4.2	Intended Use	6	10.4	Checking the controls	22
4.3	The Operator	6	10.5	Checking Chain Lubrication	23
4.4	Clothing and equipment	6	10.6	Testing the Battery	23
4.5	Work Area and Surroundings	7	11	Using the Pole Pruner	23
4.6	Safe Condition	8	11.1	Adjusting the shaft length	23
4.7	Working	10	11.2	Aligning the clip	23
4.8	Reactive Forces	12	11.3	Fitting and Adjusting the Shoulder Strap	24
4.9	Transporting	13	11.4	Holding and Controlling the Pole Pruner	24
4.10	Storing	13	11.5	Limbing	25
4.11	Cleaning, Maintenance and Repair	14	12	After Finishing Work	25
5	Preparing Pole Pruner for Operation	15	12.1	When Work is Finished	25
5.1	Preparing the Pole Pruner for Operation	15	13	Transporting	26
6	Charging the Battery, LEDs	15	13.1	Transporting the Pole Pruner	26
6.1	Charging the Battery	15	13.2	Transporting the battery	26
6.2	Displaying State of Charge	15	14	Storing	26
6.3	LEDs on Battery	15	14.1	Storing the Pole Pruner	26
7	Assembling the Pole Pruner	16	14.2	Storing the Battery	26
7.1	Assembling the Pole Pruner	16	15	Cleaning	26
7.2	Attaching the clip	17	15.1	Cleaning the Pole Pruner	26
7.3	Mounting the machine support	17	15.2	Cleaning the Guide Bar and Saw Chain	27
7.4	Mounting and Removing the Bar and Chain	18	15.3	Cleaning the Air Filter	27
7.5	Tensioning the Saw Chain	19	15.4	Cleaning the Battery	27
7.6	Filling Up with Saw Chain Oil	19	16	Maintenance	27

STIHL

This instruction manual is protected by copyright. All rights reserved, especially the rights to reproduce, translate and process with electronic systems.

16.1 Maintenance intervals.....	27
16.2 Deburring the Guide Bar.....	27
16.3 Sharpening the Saw Chain.....	27
17 Repairing.....	28
17.1 Repairing the Pole Pruner and Battery.....	28
18 Troubleshooting.....	29
18.1 Troubleshooting Pole Pruner and Battery.....	29
19 Specifications.....	31
19.1 STIHL HTA 135 pole pruner.....	31
19.2 Chain Sprockets.....	31
19.3 Minimum Groove Depth of Guide Bars.....	31
19.4 STIHL AP battery.....	31
19.5 Sound Values and Vibration Values.....	31
19.6 REACH.....	32
20 Bar and Chain Combinations.....	33
20.1 STIHL HTA 135 pole pruner.....	33
21 Combinations of Carrying Systems.....	34
21.1 Combinations of Carrying Systems.....	34
22 Spare Parts and Accessories.....	35
22.1 Spare parts and accessories.....	35
23 Disposal.....	35
23.1 Disposing of Pole Pruner and Battery.....	35
24 EC Declaration of Conformity.....	35
24.1 STIHL HTA 135 pole pruner.....	35
25 General Power Tool Safety Warnings.....	36
25.1 Introduction.....	36
25.2 Work area safety.....	36
25.3 Electrical safety.....	36
25.4 Personal safety.....	36
25.5 Electric power tool use and care.....	37
25.6 Battery tool use and care.....	37
25.7 Service.....	38

1 Introduction

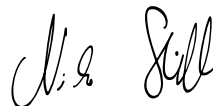
Dear Customer,

Thank you for choosing STIHL. We develop and manufacture our quality products to meet our customers' requirements. The products are designed for reliability even under extreme conditions.

STIHL also stands for premium service quality. Our dealers guarantee competent advice and instruction as well as comprehensive service support.

STIHL expressly commit themselves to a sustainable and responsible handling of natural resources. This user manual is intended to help you use your STIHL product safely and in an environmentally friendly manner over a long service life.

We thank you for your confidence in us and hope you will enjoy working with your STIHL product.



Dr. Nikolas Stihl

IMPORTANT! READ BEFORE USING AND KEEP IN A SAFE PLACE FOR REFERENCE.

2 Guide to Using this Manual

2.1 Applicable Documents

The local safety regulations apply.

- ▶ In addition to this User Manual, read, understand and keep the following documents:
 - User manual of the carrying system you are using
 - User Manual for STIHL AR battery
 - User Manual for "AP belt bag with connecting cable"

- Safety notices and precautions for STIHL AP battery
- User manual for STIHL AL 101, 300, 500 chargers
- Safety information for STIHL batteries and products with built-in battery: www.stihl.com/safety-data-sheets

2.2 Symbols used with warnings in the text

WARNING

This symbol indicates dangers that can cause serious injuries or death.

- ▶ The measures indicated can avoid serious injuries or death.

NOTICE

This symbol indicates dangers that can cause damage to property.

- ▶ The measures indicated can avoid damage to property.

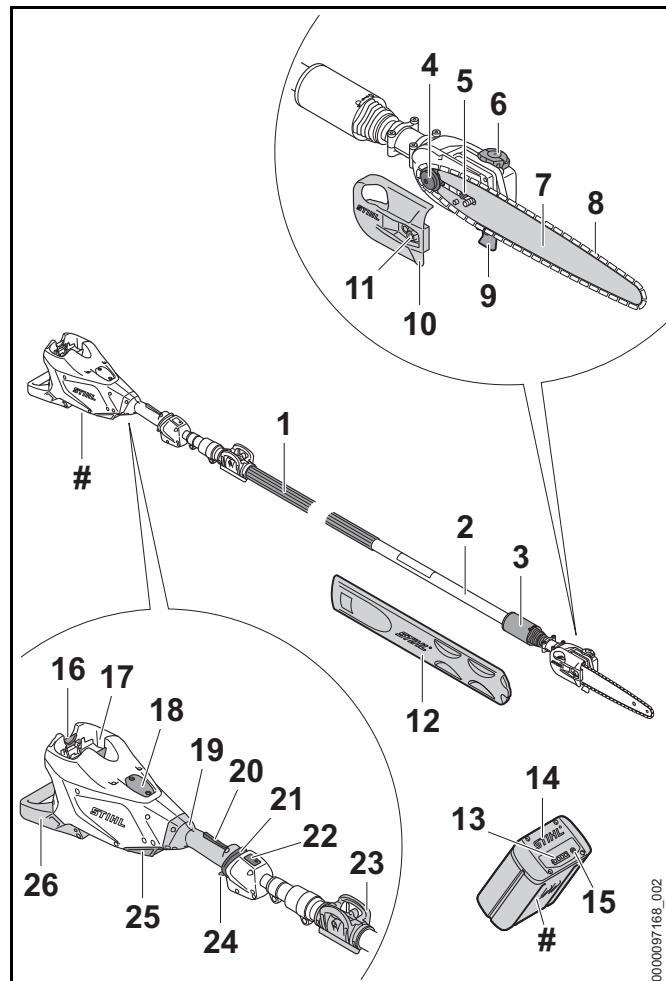
2.3 Symbols in Text



This symbol refers to a chapter in this instruction manual.

3 Overview

3.1 STIHL HTA 135 Pole Pruner and Battery



1 Handle hose

For holding and controlling the pole pruner.

2 Shaft

The shaft connects all components.

3 Clamp nut

Serves to adjust the length of shaft.

4 Chain sprocket

The chain sprocket drives the saw chain.

5 Tensioning screw

Adjusts the chain tension.

6 Oil filler cap

The oil filler cap closes the oil tank.

7 Guide bar

The guide bar supports and guides the saw chain.

8 Saw chain

The saw chain cuts the wood.

9 Limit stop

Holds the pole pruner against the wood while cutting.

10 Chain sprocket cover

Covers the chain sprocket and secures the guide bar to the pole pruner.

11 Nut

Secures the chain sprocket cover to the pole pruner.

12 Chain scabbard

The chain scabbard protects from contact with the saw chain.

13 LEDs

The LEDs indicate the state of charge of the battery and any faults.

14 Battery

Supplies power to the pole pruner.

15 Button

The button activates the LEDs on the battery.

16 Locking lever

The locking lever holds the battery in the battery compartment.

17 Battery compartment

The battery compartment holds the battery.

18 Cover

The cover is the placeholder for a Smart Connector 2 A.

19 Control handle

For holding and controlling the pole pruner.

20 Trigger lockout

The trigger lockout unlocks the trigger.

21 Release slide

The release slide is used to switch on the pole pruner.

22 LED

The LED indicates the status of the pole pruner.

23 Clip

The clip is used to attach the carrying system.

24 Trigger

Switches the pole pruner on and off.

25 Air filter

The air filter filters the air entering the engine.

26 Base

The machine support is used to deposit the pole pruner on the ground.

Rating plate with machine number**3.2 Icons**

Meanings of the icons that may be on the pole pruner and battery:




The clamp nut is unscrewed in this position. The shaft can be extended.





The clamp nut is locked in this position. The shaft cannot be extended.





This icon marks the saw chain oil tank.


 This icon shows the direction of rotation of the saw chain.


 Rotate in this direction to increase the saw chain tension


 1 LED lights up red. The battery is too warm or too cold.

 This icon marks the release slide.

 4 LEDs flashing red. There is a fault in the battery.

 **LWA** Guaranteed sound power level in accordance with Directive 2000/14/EC in dB(A) for the purpose of comparing the sound emissions of products.

 The information next to the symbol indicates the energy content of the battery according to the cell manufacturer's specification. The energy content available in operation is lower.

 Do not dispose of the product with domestic waste.

4 Safety Precautions

4.1 Warning Symbols

Meanings of warning symbols on the pole pruner or battery:



Observe safety notices and take the necessary precautions.



Read, understand and keep the User Manual.



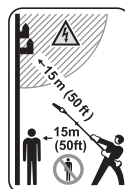
Wear safety glasses, hearing protection and a hard hat.



Wear safety boots.



Wear work gloves.



Maintain a safety distance.



Remove the battery during work stoppages, transport, storage, maintenance or repair.



Protect battery from heat and fire.



Do not immerse battery in fluids.



Observe the permitted battery temperature range.

4.2 Intended Use

The STIHL HTA 135 pole pruner is used to delimit tall trees or prune the branches of tall trees.

The pole pruner must not be used for felling operations.

The pole pruner may be used in the rain.

The pole pruner is powered by a STIHL AP battery or a STIHL AR battery.

⚠ WARNING

- Batteries not explicitly approved for the pole pruner by STIHL may cause a fire or explosion. Persons may be seriously or fatally injured and property may be damaged.
 - ▶ Use the pole pruner with a STIHL AP battery or a STIHL AR battery.
- Using the pole pruner or the battery for purposes for which they were not designed may result in serious or fatal injuries and damage to property.
 - ▶ Use the pole pruner as described in this User Manual.
 - ▶ Always use the battery as described in this User Manual or in the User Manual for the STIHL AR battery.

4.3 The Operator

⚠ WARNING

- Users without adequate training or instruction cannot recognize or assess the risks involved in using the pole pruner and battery. The user or other persons may sustain serious or fatal injuries.



▶ Read, understand and save the instruction manual.

- ▶ If you pass the pole pruner or battery on to another person: Always give them the instruction manual.
- ▶ Make sure the user meets the following requirements:
 - The user must be rested.
 - The user must be in good physical condition and mental health to operate and work with the pole pruner and battery. If the user's physical, sensory or mental ability is restricted, he or she may work only under the supervision of or as instructed by a responsible person.
 - The user is able to recognize and assess the risks involved in using the pole pruner and battery.
 - The user must be of legal age or is being trained in a trade under supervision in accordance with national rules and regulations.
 - The user has received instruction from a STIHL servicing dealer or other experienced user before working with the pole pruner for the first time.
 - The user must not be under the influence of alcohol, medication or drugs.
- ▶ If you have any queries: Contact a STIHL servicing dealer for assistance.

4.4 Clothing and equipment

⚠ WARNING

- Long hair may be pulled into the pole pruner during operation. This may result in serious injury to the user.
 - ▶ Tie up and confine long hair above your shoulders.
- Objects can be thrown at high speed during operation. This may result in injury to the user.



- ▶ Wear close-fitting safety glasses. Suitable safety glasses are tested in accordance with EN 166 or national regulations and available commercially with the corresponding marking.

- Noise is generated during operation. Noise can damage your hearing.



- ▶ Wear ear protection.

- Falling objects can cause head injuries.



- ▶ wear a hard hat.

- Dust can be whipped up during operation. Whipped up dust can damage the respiratory passages and cause allergic reactions.
 - ▶ If dust is generated: Wear a dust respirator mask.
- Unsuitable clothing can snag on wood, brush or the pole pruner. Not wearing suitable clothing may result in serious injury.
 - ▶ Wear close-fitting clothing.
 - ▶ Remove scarves and jewelry.
- The user may cut himself or herself on wood while working. The user may come into contact with the saw chain during cleaning or servicing. This may result in injury to the user.



- ▶ Wear work gloves made from resistant material.

- Wearing unsuitable footwear may cause the user to slip. This may result in injury to the user.



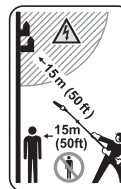
- ▶ Wear sturdy, closed-toed footwear with high-grip soles.

4.5 Work Area and Surroundings

4.5.1 Pole Pruner

⚠ WARNING

- Bystanders, children and animals cannot recognize or assess the dangers of the pole pruner or flying debris. This may result in serious injury to bystanders, children and animals and damage to property.



- ▶ Do not allow bystanders, children or animals within 15 meters of the work area.

- ▶ Maintain a clearance of 15 meters from objects.
- ▶ Never leave the pole pruner unattended.
- ▶ Make sure that children cannot play with the pole pruner.
- Electrical components of the pole pruner may produce sparks. Sparks may cause fires and explosions in highly flammable or explosive environments. Persons may be seriously or fatally injured and property may be damaged.
 - ▶ Do not work in a highly flammable or explosive environment.

4.5.2 Battery

⚠ WARNING

- Bystanding people, children and animals cannot recognise or evaluate the dangers posed by the battery. This may result in serious injury to bystanding people, children and animals.
 - ▶ Keep bystanding people, children and animals out of the way.
 - ▶ Do not leave the battery unattended.
 - ▶ Make sure that children cannot play with the battery.
- The battery is not protected against all ambient conditions. If exposed to certain ambient conditions, the battery may catch fire or explode. This may result in serious injury to people and damage to property.



- ▶ Protect the battery from heat and fire.
- ▶ Do not throw the battery into a fire.



- ▶ Use and store the battery at temperatures between - 10 °C and + 50 °C.



- ▶ Do not immerse the battery in liquids.

- ▶ Keep the battery away from metallic objects.
- ▶ Do not expose the battery to high pressure.
- ▶ Do not expose the battery to microwaves.
- ▶ Protect the battery from chemicals and salts.

4.6 Safe Condition

4.6.1 Pole Pruner

The pole pruner is in a safe condition if the following points are observed:

- The pole pruner is not damaged.
- The oil tank cap is closed.
- The pole pruner is in a clean condition.
- The controls function properly and have not been modified.
- The chain lubrication is operating properly.
- Wear marks on the chain sprocket are not deeper than 0.5 mm.
- A combination of guide bar and saw chain recommended in this User Manual is mounted.
- The guide bar and saw chain are properly mounted.
- The saw chain is properly tensioned.
- Only original STIHL accessories designed for this pole pruner model are fitted.
- The accessories are correctly attached.


⚠ WARNING

- If not in safe condition, components may no longer operate correctly, safety devices may be disabled and fuel leakage may occur. This may result in serious or fatal injury to people.
 - ▶ Work only with an undamaged pole pruner.
 - ▶ Close the oil tank cap.
 - ▶ If the pole pruner is dirty: Clean the pole pruner.
 - ▶ Do not modify the pole pruner. Exception: Mounting a combination of guide bar and saw chain recommended in this User Manual.
 - ▶ If the controls do not function properly: Do not use the pole pruner.

- ▶ Only fit original STIHL accessories designed for this pole pruner model.
- ▶ Mount the guide bar and saw chain as described in this User Manual.
- ▶ Attach accessories as described in this User Manual or in the User Manual for the accessories.
- ▶ Never insert objects in the openings of the pole pruner.
- ▶ Replace worn or damaged labels.
- ▶ If you have any doubts, be sure to consult a STIHL dealer.

4.6.2 Guide Bar

The guide bar is in a safe condition if the following points are observed:

- Guide bar is not damaged.
- Guide bar is not deformed.
- The minimum groove depth is maintained,  19.3.
- Bar rails are free from burrs.
- Bar groove is not pinched or splayed.

WARNING

- If the guide bar is not in a safe condition, it can no longer support and guide the saw chain properly. The rotating saw chain can jump off the guide bar. This can result in serious or fatal injuries.
 - ▶ Work only with an undamaged guide bar.
 - ▶ If the groove depth is less than the minimum depth: Mount a new guide bar.
 - ▶ Deburr the guide bar every week.
 - ▶ If you have any queries: Contact your STIHL servicing dealer.

4.6.3 Saw Chain

The saw chain is in a safe condition if the following points are observed:

- Chain is not damaged.
- Chain is properly sharpened.
- The service marks on the cutters are still visible.

WARNING

- If components do not comply with safety requirements, they will no longer function properly and safety devices may be rendered inoperative. This can result in serious or fatal injuries.
 - ▶ Work only with an undamaged saw chain.
 - ▶ Sharpen the chain properly.
 - ▶ If you have any queries: Contact your STIHL servicing dealer for assistance.

4.6.4 Battery

The battery is in safe condition when the following conditions are met:

- The battery is not damaged.
- The battery is clean and dry.
- The battery is working and has not been modified.

WARNING

- The battery cannot function safely if it is not in safe condition. There is a risk of serious injury to persons.
 - ▶ Use an undamaged and functioning battery.
 - ▶ Do not charge a damaged or defective battery.
 - ▶ If the battery is dirty or wet: clean the battery and allow it to dry.
 - ▶ Do not modify the battery.
 - ▶ Do not insert objects into the apertures in the battery.

- ▶ Never connect the battery terminals to metallic objects and cause a short circuit.
- ▶ Do not open the battery.
- ▶ Replace worn or damaged warning signs.
- Fluid may leak from a damaged battery. If the fluid contacts the skin or eyes, this may cause irritation.
 - ▶ Avoid contact with the fluid.
 - ▶ In the event of contact with the skin: wash the affected areas with plenty of soap and water.
 - ▶ In the event of contact with the eyes: rinse the eyes with plenty of water for at least 15 minutes and seek medical attention.
- A damaged or defective battery may emit an unusual odour, smoke or catch fire. This may result in serious or fatal injury to people and damage to property.
 - ▶ If the battery emits an unusual odour or smoke: do not use the battery and keep it away from flammable materials.
 - ▶ If the battery catches fire: try to extinguish the battery using a fire extinguisher or water.

4.7 Working

4.7.1 Sawing

⚠ WARNING

- Always work within calling distance of others so that you can summon help in an emergency.
 - ▶ Make sure that people are within earshot outside the working area.
- In certain situations, the user may no longer be able to concentrate on their work. The user may lose control of the pole pruner, stumble or fall and be seriously injured.
 - ▶ Keep calm and plan your work.
 - ▶ If light and visibility are poor: Do not use the pole pruner.
 - ▶ Use the pole pruner without assistance.
 - ▶ Watch out for obstacles.

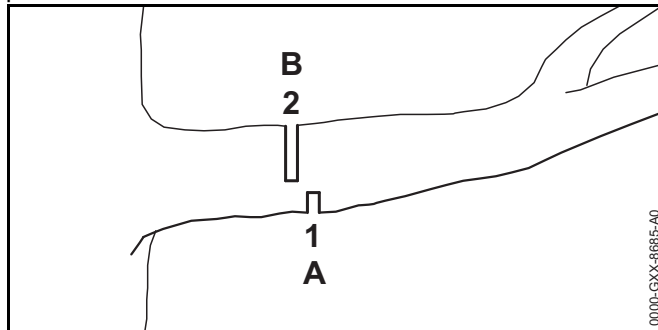
- ▶ Work standing on the ground and keep your balance. If you have to work at a height: Use a mobile elevating work platform or secure scaffolding.
- ▶ If you start feeling fatigue: Take a break.
- The moving saw chain can cut the user. This may result in serious injury to the user.
 - ▶ Do not touch the rotating saw chain.
 - ▶ If the saw chain is blocked by an object: Switch off the pole pruner and remove the battery. before clearing the jam.
- The moving saw chain warms up and expands. If the saw chain is not sufficiently lubricated and retensioned, the saw chain may jump off the guide bar or it may break. This may result in serious injury to people and damage to property.
 - ▶ Use saw chain lubricant.
 - ▶ Check the saw chain tension regularly while working. If saw chain tension is insufficient: Tension the saw chain.
- If the behavior of the pole pruner changes during operation or feels unusual, it may no longer be in a safe condition. This may result in serious injury to people and damage to property.
 - ▶ Stop working, remove the battery and consult a STIHL servicing dealer.
- Vibrations may occur while using the pole pruner.
 - ▶ Wear gloves.



- ▶ Take breaks.
- ▶ If signs of a circulatory disturbance occur: Consult a doctor.

- If the moving saw chain hits a hard object, sparks may occur. Sparks can cause fires in a flammable environment. Persons may be seriously or fatally injured and property may be damaged.
 - ▶ Do not use the chain saw in a flammable environment.
- The saw chain runs on for a short period after you release the trigger. People may be cut by the moving saw chain. They may cause serious injury to persons.
 - ▶ Hold the pole pruner firmly with both hands and wait until the saw chain comes to a standstill.
- In an emergency, the user may start to panic and forget to take off the carrying system. This may result in serious injury to the user.
 - ▶ Practice taking off the carrying system.

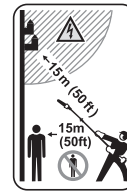
⚠ WARNING



- If you saw wood which is under tension, the guide bar may become jammed. The user may lose control of the pole pruner and be seriously injured.
 - ▶ First make a relief cut (1) on the compression side (A), then a separating cut (2), offset in the direction of the trunk, on the tension side (B).

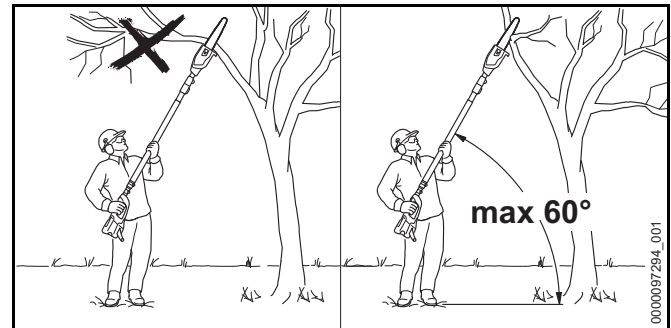
⚠ DANGER

- Working near live electric cables may result in accidental contact with the saw chain and damage the cables. This may result in serious or fatal injury to the user.



- ▶ Maintain a clearance of 15 meters from live cables.

4.7.2 Limbing

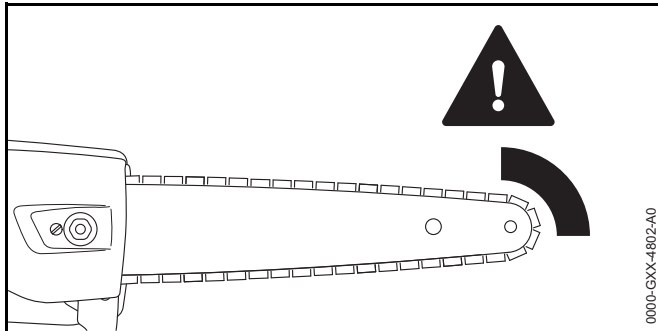


⚠ WARNING

- During delimiting the sawn-off branch may fall to the ground. This may result in serious injury to the user.
 - ▶ Do not stand under the branch which you are sawing.
 - ▶ Maintain an angle of no more than 60° to the horizontal.

4.8 Reactive Forces

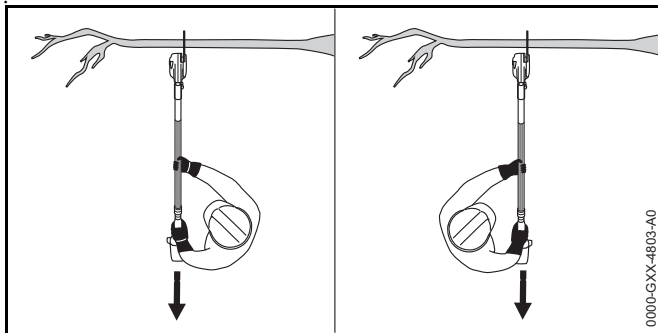
4.8.1 Kickback



Kickback can be caused for the following reasons:

- The rotating saw chain in the upper quadrant of the bar nose makes contact with a hard object and is suddenly braked.
- The rotating saw chain is pinched at the bar nose.

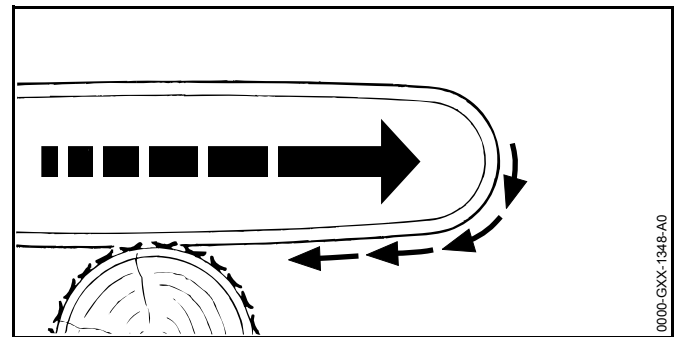
⚠ WARNING



- If kickback occurs, the pole pruner can be thrown upwards and backwards. The user can lose control of the pole pruner and be seriously injured.
 - ▶ Always hold your pole pruner firmly with both hands.
 - ▶ Always keep your body out of the plane of the cutting attachment.

- ▶ Use the working techniques described in this instruction manual.
- ▶ Do not cut with the upper quadrant of the bar nose.
- ▶ Always cut with a properly sharpened and tensioned saw chain.
- ▶ Use a reduced kickback saw chain.
- ▶ Use a guide bar with a narrow radius nose.
- ▶ Always cut with the chain running at full speed.

4.8.2 Pull-In

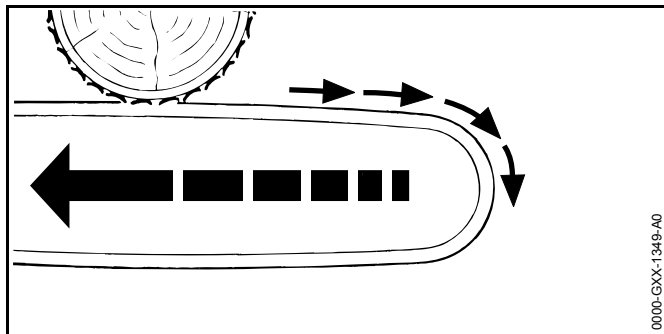


The pole pruner is pulled away from the operator when the bottom of the bar is used for cutting.

⚠ WARNING

- If the rotating chain makes contact with a hard object and is suddenly pinched, the pole pruner is abruptly jerked away from the operator. The user can lose control of the pole pruner and be seriously injured.
 - ▶ Always hold your pole pruner firmly with both hands.
 - ▶ Use the working techniques described in this instruction manual.
 - ▶ Keep the guide bar straight in the cut.
 - ▶ Apply the stop properly.
 - ▶ Always cut with the chain running at full speed.

4.8.3 Pushback



The pole pruner is pushed back toward the operator when the top of the bar is used for cutting.

⚠ WARNING

- If the rotating chain makes contact with a hard object and is suddenly pinched, the pole pruner is abruptly pushed back toward the operator. The user can lose control of the pole pruner and be seriously injured.
 - ▶ Always hold your pole pruner firmly with both hands.
 - ▶ Use the working techniques described in this instruction manual.
 - ▶ Keep the guide bar straight in the cut.
 - ▶ Always cut with the chain running at full speed.

4.9 Transporting

4.9.1 Pole Pruner

⚠ WARNING

- The pole pruner may turn over or shift during transport. Persons may be injured or property damaged.



- ▶ Remove the battery.

- ▶ Fit the chain scabbard so that it completely covers the guide bar.
- ▶ Secure the pole pruner with lashing straps or a net to prevent it from turning over and moving.

4.9.2 Battery

⚠ WARNING

- The battery is not protected against all ambient conditions. The battery may be damaged if it is exposed to certain ambient conditions and damage to property may occur.
 - ▶ Never transport a damaged battery.
 - ▶ Store the battery in non-conductive packaging.
- The battery may turn over or shift during transport. This may result in personal injuries and damage to property.
 - ▶ Pack the battery in packaging in such a way that it cannot move.
 - ▶ Secure the packaging so that it cannot move.

4.10 Storing

4.10.1 Pole Pruner

⚠ WARNING

- Children are not aware of and cannot assess the dangers of the pole pruner and can be seriously injured.



- ▶ Remove the battery.

- ▶ Fit the chain scabbard so that it completely covers the guide bar.
- ▶ Store the pole pruner out of the reach of children.

- Dampness may corrode the electrical contacts on the pole pruner and metal components. This can damage the pole pruner.



- ▶ Remove the battery.

- ▶ Store the pole pruner in a clean and dry condition.

4.10.2 Battery

⚠ WARNING

- Children are not aware of and cannot assess the dangers of the battery and can be seriously injured.
 - ▶ Store the battery out of the reach of children.
- The battery is not protected against all ambient conditions. The battery may be damaged if it is exposed to certain ambient conditions.
 - ▶ Store the battery in a clean and dry condition.
 - ▶ Store the battery in an enclosed location.
 - ▶ Store the battery separately from the pole pruner and charger.
 - ▶ Store the battery in non-conductive packaging.
 - ▶ Store the battery at temperatures between -10°C and +50°C.

4.11 Cleaning, Maintenance and Repair

⚠ WARNING

- The pole pruner may start unintentionally if the battery is left in place during cleaning, maintenance or repair operations. This may result in serious injury to people and damage to property.



- ▶ Remove the battery.

- Aggressive cleaning agents, cleaning with a jet of water or pointed objects may damage the pole pruner, guide bar, saw chain and battery. If the pole pruner, guide bar, saw chain or battery are not cleaned correctly, components may no longer function properly or safety devices may be rendered inoperative. They may cause serious injury to persons.

- ▶ Clean the pole pruner, guide bar, saw chain and battery as described in this User Manual.

- If the pole pruner, guide bar, saw chain or battery are not serviced or repaired correctly, components may no longer function properly or safety devices may be rendered inoperative. This may result in serious or fatal injury to people.

- ▶ Do not attempt to service or repair the pole pruner or battery.

- ▶ If the pole pruner or the battery require servicing or repairs: Contact your STIHL dealer for assistance.

- ▶ Service or repair the guide bar and saw chain as described in this User Manual.

- The user may be cut by the sharp cutters while cleaning or servicing the saw chain. This may result in injury to the user.




















- ▶ Wear work gloves made from resistant material.

5 Preparing Pole Pruner for Operation

5.1 Preparing the Pole Pruner for Operation

The following steps must be performed before commencing work:

- ▶ Ensure that the following components are in safe condition:
 - Pole Pruner,  4.6.1.
 - Guide bar,  4.6.2.
 - Saw chain,  4.6.3.
 - Battery,  4.6.4.
- ▶ Check the battery,  10.6.
- ▶ Charge the battery fully as described in the User Manual for the STIHL AL 101, 300, 500 chargers.
- ▶ Clean the pole pruner,  15.1.
- ▶ Assemble the pole pruner,  7.1.
- ▶ Attach the clip,  7.2.
- ▶ Mount the machine support,  7.3.
- ▶ Mount the guide bar and saw chain,  7.4.1.
- ▶ Tension the saw chain,  7.5.
- ▶ Fill up with saw chain oil,  7.6.
- ▶ Adjust length of shaft,  11.1.
- ▶ Align the clip,  11.2.
- ▶ Fit and adjust the carrying system,  11.3.
- ▶ Check the controls,  10.4.
 - ▶ If 3 LEDs on the battery flash red while you are checking the controls: Remove the battery and contact your STIHL dealer for assistance. There is a malfunction in the pole pruner.
- ▶ Check the chain lubrication,  10.5.
- ▶ If you cannot carry out this work: Do not use your pole pruner and contact your STIHL dealer for assistance.

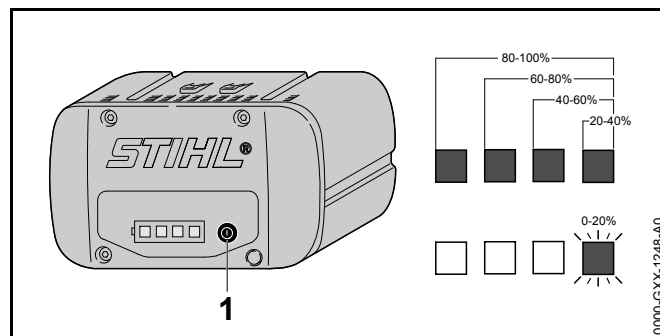
6 Charging the Battery, LEDs

6.1 Charging the Battery

The charging time depends on several factors, e.g. temperature of the battery or the ambient temperature. The actual charging time may differ from the specified charging time. For specified charging times see www.stihl.com/charging-times.

- ▶ Recharge the battery fully as described in the instruction manual for the STIHL AL 101, 300, 500 chargers.

6.2 Displaying State of Charge




- ▶ Press the button (1). The LEDs (5) glow green for about 5 seconds and indicate the state of charge.
- ▶ If the LED on the right flashes green: Charge the battery.

6.3 LEDs on Battery

The LEDs can show the state of charge or malfunctions. The LEDs can glow or flash green or red.

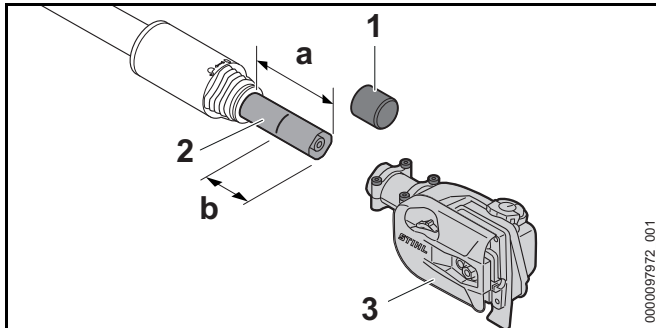
The state of charge is indicated when the LEDs glow or flash green.

- ▶ If the LEDs glow or flash red: Troubleshooting,  18. There is a malfunction in the pole pruner or battery.

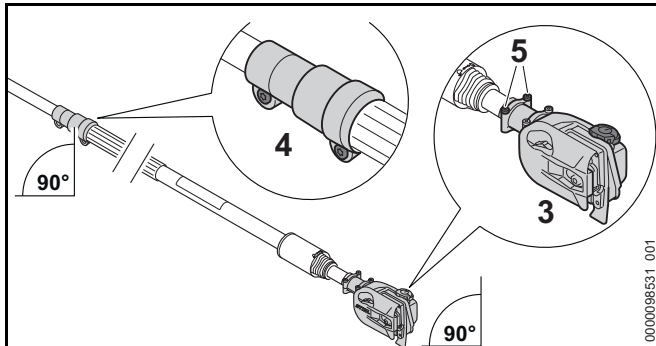
7 Assembling the Pole Pruner

7.1 Assembling the Pole Pruner

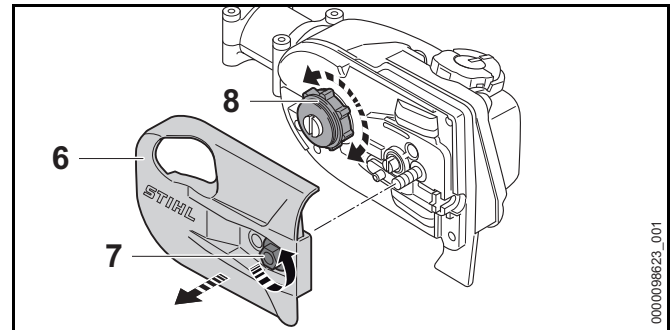
- ▶ Switch off the pole pruner and remove the battery.



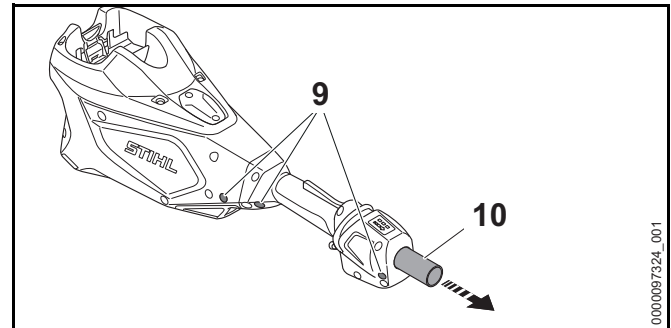
- ▶ Remove the protective cap (1).
- ▶ Adjust the shaft length to $a = 10$ cm.
- ▶ Mark $b = 6$ cm on the shaft (2).



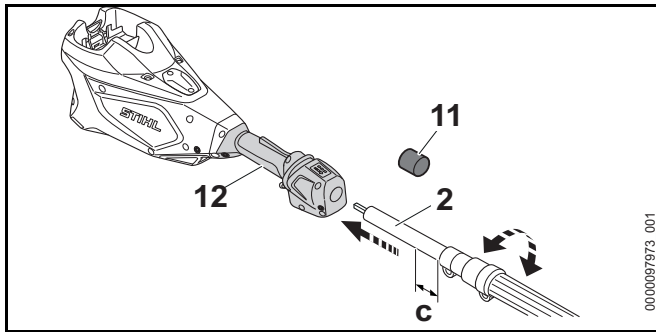
- ▶ Align the collet (4) and transmission (3) as shown.
- ▶ Slide the transmission (3) onto the shaft (2) up to mark b.
- ▶ Tighten down the screws (5) firmly.



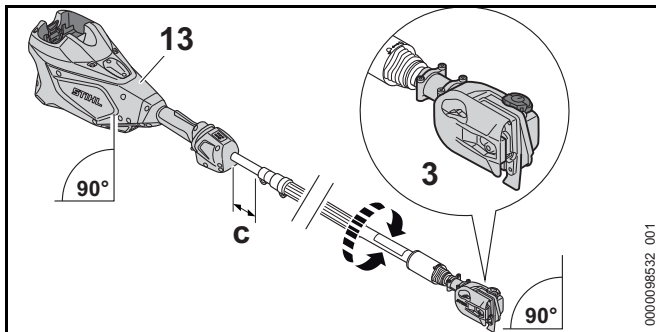
- ▶ If you cannot push the transmission (3) onto the shaft (2) up to mark b:
 - ▶ Rotate the nut (7) counterclockwise until the chain sprocket cover (6) can be removed.
 - ▶ Remove the chain sprocket cover (6).
 - ▶ Turn the chain sprocket (8) and push the transmission (3) onto shaft (2) up to mark b.
 - ▶ Fit the chain sprocket cover (6) so that it is flush with the pole pruner.
 - ▶ Fit the nut (7) and tighten it down firmly.



- ▶ Undo the screws (9).
- ▶ Pull out the protective tube (10).



- ▶ Remove the protective cap (11).
- ▶ Turn the shaft (2) and press it in the direction of the control handle (12) until the distance $c = 2$ cm.

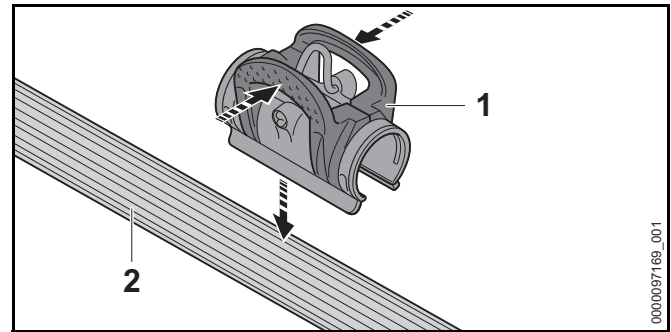


- ▶ Align the housing (13) and transmission (3) as shown.
- ▶ Tighten down the screws (9) firmly.

The pole pruner does not need to be dismantled again.

7.2 Attaching the clip

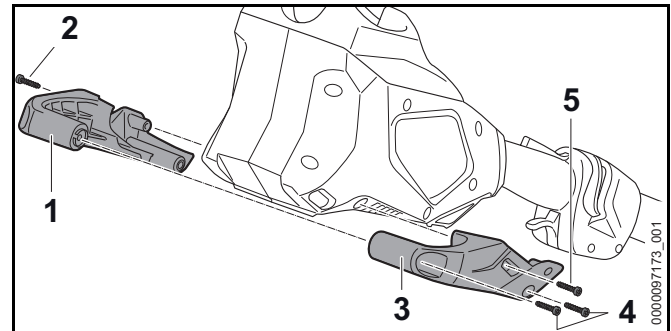
- ▶ Switch off the pole pruner and remove the battery.



- ▶ Press clip (1) together and place on the handle hose (2). It is not necessary to remove the clip again.

7.3 Mounting the machine support

- ▶ Switch off the pole pruner and remove the battery.




- ▶ Position the left half of the machine support (1) against the side of the cover.
- ▶ Fit the screw (2).
- ▶ Position the right half of the machine support (3) against the side of the cover.
- ▶ Fit the screw (5).
- ▶ Insert screws (4) and tighten.
- ▶ Tighten screw (2) and screw (5) firmly.

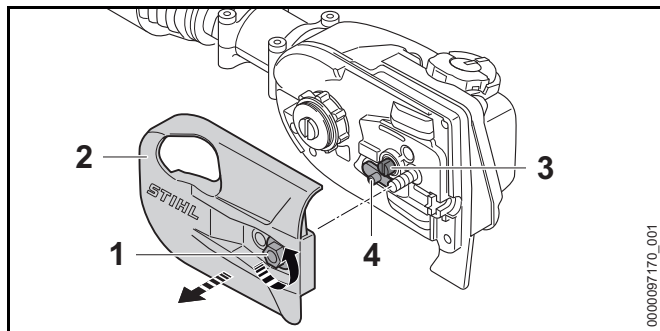
It is not necessary to remove the machine support again.

7.4 Mounting and Removing the Bar and Chain

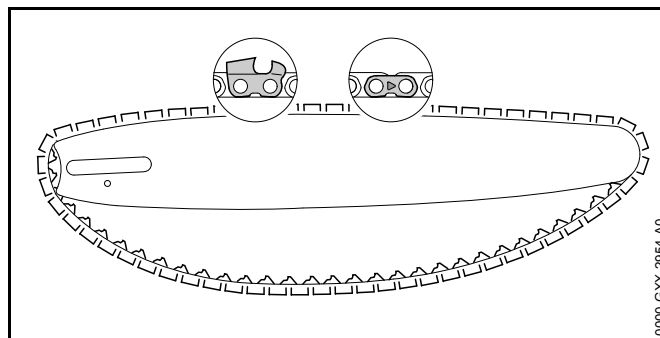
7.4.1 Mounting the Guide Bar and Saw Chain

The guide bar and saw chain combinations that can be used with the chain sprocket are listed in the specifications,  20.1.

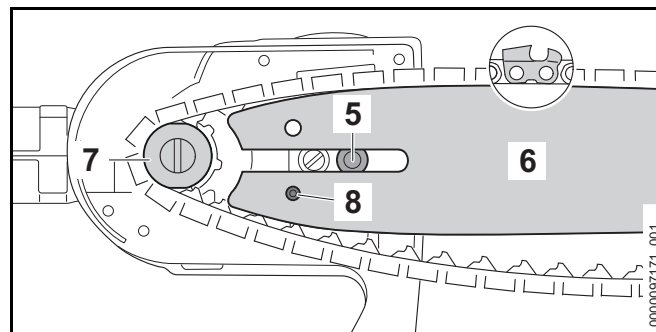
- ▶ Switch off the pole pruner and remove the battery.



- ▶ Rotate the nut (1) counterclockwise until the chain sprocket cover (2) can be removed.
- ▶ Remove the chain sprocket cover (2).
- ▶ Turn the tensioning screw (3) counterclockwise until the tensioner slide (4) butts against the left end of the housing.

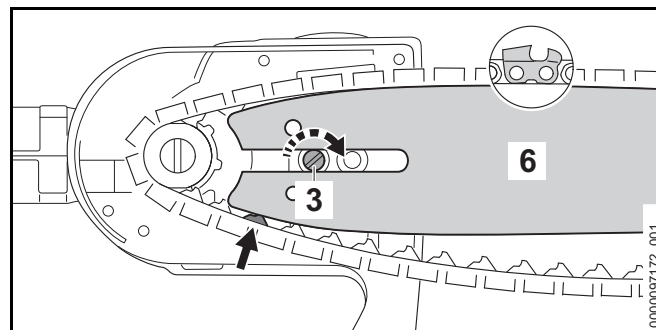


- ▶ Fit the saw chain in the guide bar groove so that the arrows on the tie straps on the top of the bar point in the direction of rotation.



- ▶ Fit the guide bar and saw chain on the pole pruner and check the following points:
 - The drive links of the saw chain are seated in teeth of the chain sprocket (7).
 - The collar stud (5) is located in the slot in the tail of the guide bar (6).
 - The peg of tensioner slide (4) engages the hole (8) in guide bar (6).

The guide bar (6) may be fitted either way round. The logo on the guide bar (6) may also be upside down.



- ▶ Turn the tensioning screw (3) clockwise until the saw chain fits snugly against the guide bar. Make sure the drive links engage the guide bar groove. The guide bar (6) and saw chain fit snugly against the pole pruner.
- ▶ Fit the chain sprocket cover (2) so that it is flush with the pole pruner.
- ▶ Fit the nut (1) and tighten it down firmly.

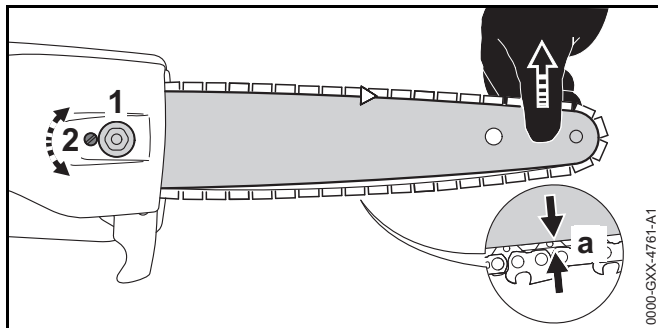
7.4.2 Removing the Guide Bar and Saw Chain

- ▶ Switch off the pole pruner and remove the battery.
- ▶ Rotate the nut counterclockwise until the chain sprocket cover can be removed.
- ▶ Remove the chain sprocket cover.
- ▶ Turn the tensioning screw counterclockwise as far as it will go.
The saw chain is now slack.
- ▶ Remove the guide bar and saw chain.

7.5 Tensioning the Saw Chain

The saw chain expands or contracts during cutting work. The saw chain tension changes as a result. Check the saw chain tension regularly during operation and readjust if necessary.

- ▶ Switch off the pole pruner and remove the battery.

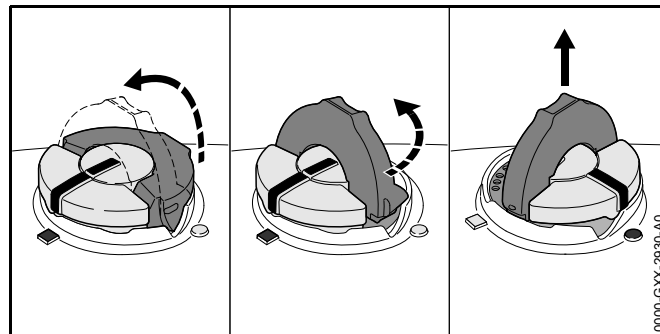


- ▶ Loosen the nut (1).
- ▶ Hold the guide bar nose up and turn the tensioning screw (2) clockwise until the following points apply:
 - The chain sag 'a' in the center of the guide bar is 1 - 2 mm.
 - The saw chain can still be pulled easily along the guide bar with two fingers.
- ▶ Hold the guide bar nose up and tighten down the nut (1) firmly.
- ▶ If the chain sag 'a' in the center of the guide bar is not 1 - 2 mm: Readjust the saw chain tension.

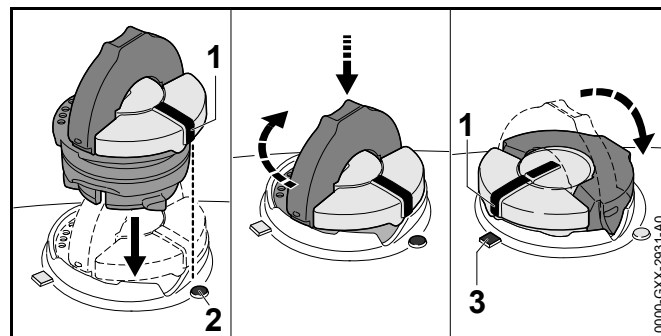
7.6 Filling Up with Saw Chain Oil

The saw chain oil lubricates and cools the rotating chain.

- ▶ Switch off the pole pruner and remove the battery.
- ▶ Place the pole pruner on a level surface so that the oil tank cap faces up.
- ▶ Use a damp cloth to clean the oil tank cap and the area around it.



- ▶ Swing the grip on the oil tank cap to the vertical position.
- ▶ Turn the oil tank cap counterclockwise as far as it will go.
- ▶ Remove the oil tank cap.
- ▶ Fill up with saw chain oil, taking care not to spill any oil and not to overfill the tank.
- ▶ If the grip on the oil tank cap has dropped into the closed position: Raise the grip until it is vertical.

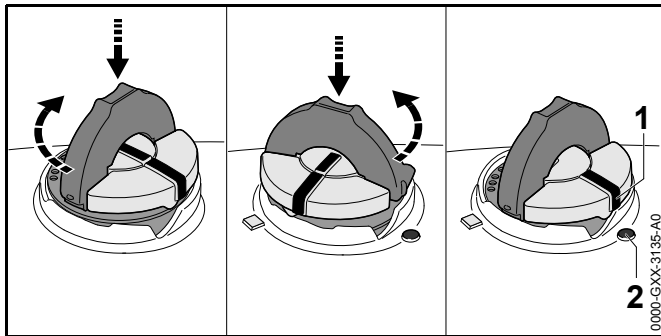


- ▶ Place the oil tank cap in the filler opening so that mark (1) lines up with mark (2).

- ▶ Press the oil tank cap down and rotate it clockwise as far as it will go.
The oil tank cap snaps into place. The mark (1) points to mark (3).
- ▶ Check to see if the oil tank cap can be pulled upwards and off.
- ▶ If the oil tank cap cannot be pulled upwards and off: Fold down the grip on the oil tank cap.
The oil tank is closed.

If the oil tank cap can be pulled upwards and off, perform the following steps:

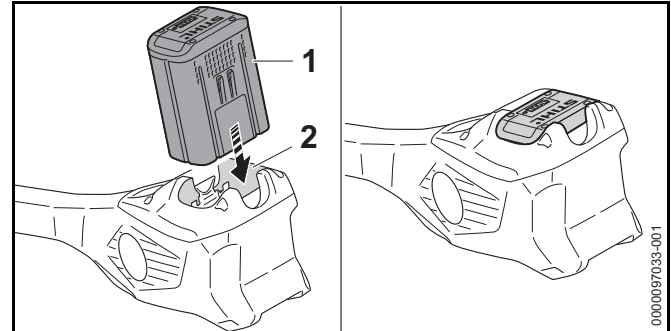
- ▶ Place the oil tank cap in the filler opening – in any position.



- ▶ Press the oil tank cap down and rotate it clockwise as far as it will go.
- ▶ Press the oil tank cap down and rotate it counterclockwise until mark (1) points to mark (2).
- ▶ Now try again to close the oil tank.
- ▶ If the oil tank still cannot be closed properly: Do not use your pole pruner and contact a STIHL dealer for assistance.
The pole pruner is not in a safe condition.

8 Removing and Fitting the Battery

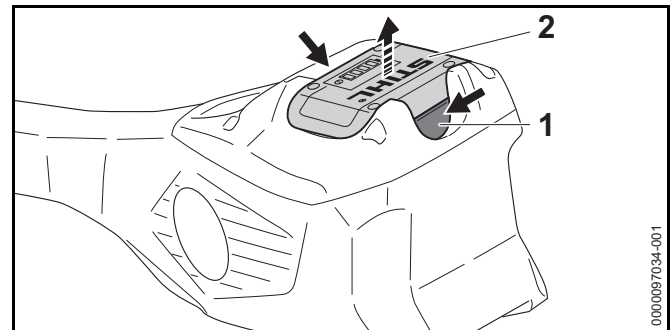
8.1 Inserting the Battery



- ▶ Insert the battery (1) up to the limit stop into the battery compartment (2).
The battery (1) engages with a click and is now locked.

8.2 Removing the Battery

- ▶ Place the pole pruner on a level surface.

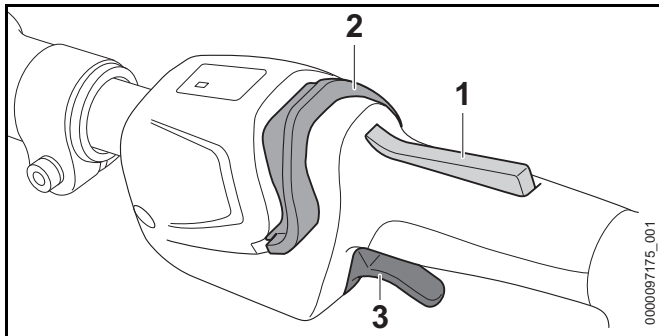


- ▶ Press both locking levers (1).
The battery (2) is released and can be removed.

9 Switching Pole Pruning On and Off

9.1 Switching on the Pole Pruner

- ▶ Hold the pole pruner with one hand by the control handle – wrap your thumb around the control handle.
- ▶ Hold the pole pruner firmly with your other hand by the handle hose - wrap your thumb around the handle hose.



- ▶ Depress the trigger lockout (1) with your hand and keep it pressed.
- ▶ Push the release slide (2) in the direction of the loop handle with your thumb and hold it there. LED is lit.
- ▶ Press the trigger (3) with your index finger and keep depressed. The motor is accelerated and the saw chain rotates.

The more you depress the trigger (3), the faster the saw chain rotates.

If the trigger (3) and the trigger lockout (1) are released after switch-on, the LED flashes for another 5 seconds. As long as the LED flashes, the pole pruner can be switched on again without having to actuate the release slide (2) again.

9.2 Switching the Pole Pruner Off

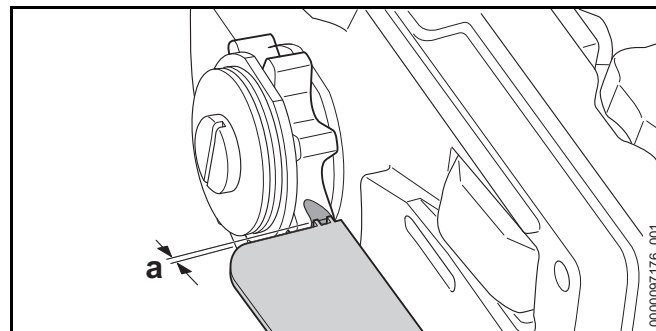
- ▶ Release the trigger and trigger lockout.
- ▶ Wait until the saw chain comes to a complete standstill after about 1 second.

- ▶ If the saw chain continues to run after about 1 second: Remove the battery and contact your STIHL dealer for assistance. The pole pruner has a malfunction.

10 Checking Pole Pruner and Battery

10.1 Checking the Chain Sprocket

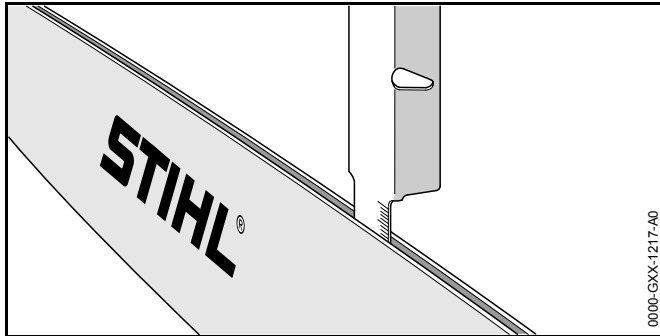
- ▶ Switch off the pole pruner and remove the battery.
- ▶ Remove the chain sprocket cover.
- ▶ Remove the guide bar and saw chain.



- ▶ Use a STIHL gauge to check the wear marks on the chain sprocket.
- ▶ If the wear marks are deeper than $a = 0.5 \text{ mm}$: Do not use your pole pruner and contact your STIHL dealer for assistance. The chain sprocket must be replaced.

10.2 Checking the Guide Bar

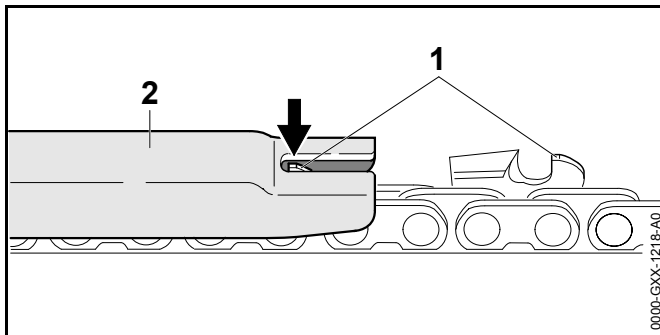
- ▶ Switch off the pole pruner and remove the battery.
- ▶ Remove the saw chain and guide bar.



- ▶ Measure the depth of the guide bar with the scale on a STIHL filing gauge.
- ▶ Install a new guide bar if one of the following points applies:
 - The guide bar is damaged.
 - The measured guide bar groove depth is less than specified minimum depth, 19.3.
 - The guide bar groove is pinched or splayed.
- ▶ If you have any doubts, be sure to consult a STIHL dealer.

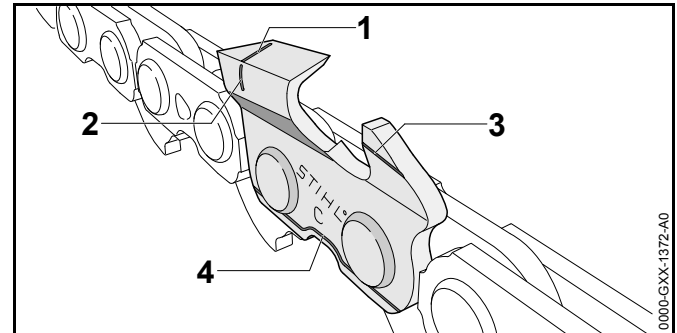
10.3 Checking the Saw Chain

- ▶ Switch off the pole pruner and remove the battery.



- ▶ Measure the height of the depth limiters (1) with a STIHL filing gauge (2). The STIHL filing gauge must match the pitch of the saw chain.

- ▶ If a depth gauge (1) projects from the filing gauge (2): Lower the depth gauge (1) with a file, 16.3.



- ▶ Make sure the service marks (1 to 4) on the cutters are visible.
- ▶ If one of the service marks is not visible on a cutter: Do not use your saw chain and contact your STIHL dealer for assistance.
- ▶ Use a STIHL filing gauge to check that the filing angle is 30° on all cutters. The STIHL filing gauge must match the pitch of the saw chain.
- ▶ If the filing angle of 30° has not been maintained: Resharpener the saw chain.
- ▶ If you have any doubts, be sure to consult a STIHL dealer.

10.4 Checking the controls

Trigger lockout and trigger

- ▶ Remove the battery.
- ▶ Try pressing the trigger without pressing the trigger lockout.
- ▶ If the trigger can be pressed: Do not use the pole pruner and contact a STIHL specialist dealer. The trigger lockout is faulty.
- ▶ Press and hold the trigger lockout.
- ▶ Squeeze and release the trigger.

- ▶ If the trigger or trigger lockout is stiff or does not spring back to the initial position: Do not use the pole pruner and contact a STIHL specialist dealer. The trigger or the trigger lockout is defective.

Switching on the Pole Pruner

- ▶ Insert battery.
- ▶ Press and hold the trigger lockout.
- ▶ Push the release slide with your thumb in the direction of the saw chain.
- ▶ Press and hold the trigger. The saw chain runs.
- ▶ If 3 LEDs on the battery flash red: Remove the battery and contact your STIHL dealer for assistance. There is a malfunction in the pole pruner.
- ▶ Release the trigger. The saw chain stops running after about 1 second.
- ▶ If the saw chain continues to run after about 1 second: Remove the battery and contact your STIHL dealer for assistance. The pole pruner has a malfunction.

10.5 Checking Chain Lubrication

- ▶ Fit the battery.
- ▶ Hold the guide bar over a light surface.
- ▶ Switch on the pole pruner. Chain oil is thrown off the chain and is visible on the light surface. Chain lubrication is operating properly.

If no chain oil can be seen:

- ▶ Fill up with chain oil.
- ▶ Check chain lubrication again.
- ▶ If chain oil is still not visible on the light surface: Do not use your pole pruner and contact your STIHL servicing dealer for assistance. Chain lubrication is defective.

10.6 Testing the Battery

- ▶ Press button on battery. The LEDs glow or flash.

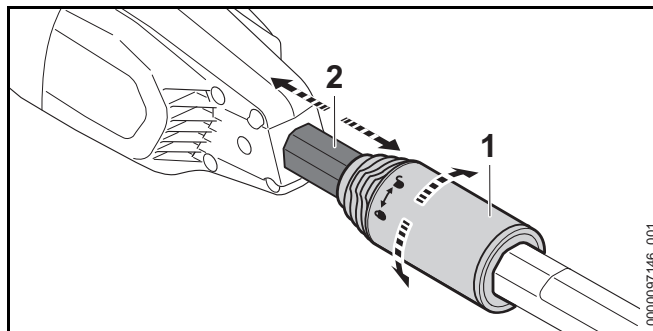
- ▶ If the LEDs do not glow or flash: Do not use the battery and contact your STIHL servicing dealer. There is a malfunction in the battery.

11 Using the Pole Pruner

11.1 Adjusting the shaft length

The shaft can be adjusted to different lengths to suit the application as well as the user's height and reach.

- ▶ Switch off the pole pruner and remove the battery.



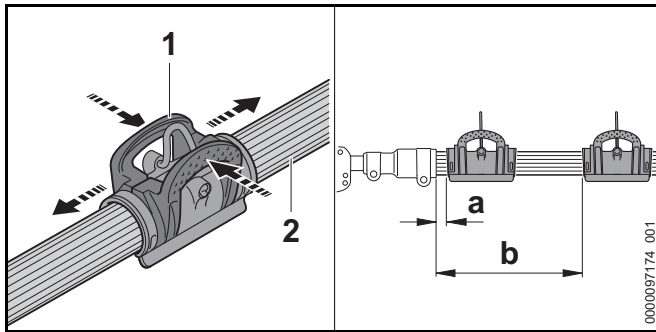
- ▶ Turn the clamp nut (1) a half-rotation towards \odot .
- ▶ Adjust the shaft (2) to the required length.
- ▶ Turn the clamp nut (1) in direction \ominus as far as it will go.
- ▶ Check that the shaft (2) cannot be shifted any more and that the clamp nut (1) is twisted tight in direction \ominus as far as it will go.

The shaft length is properly adjusted if the shaft (2) cannot be pushed in or pulled out and the clamping unit is twisted tight in direction of \ominus as far as it will go.

11.2 Aligning the clip

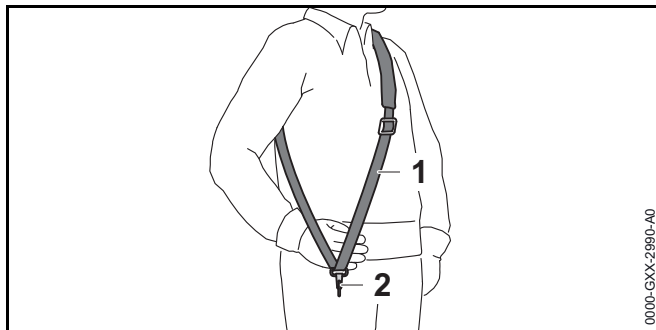
The clip can be moved to different positions depending on the shaft length.

- ▶ Switch off the pole pruner and remove the battery.



- ▶ Press clip (1) together and move on the handle hose (2), ensuring that the following conditions are met:
 - If the shaft has been retracted: $a = 15 \text{ cm}$
 - If the shaft has been fully extended: $b = 50 \text{ cm}$

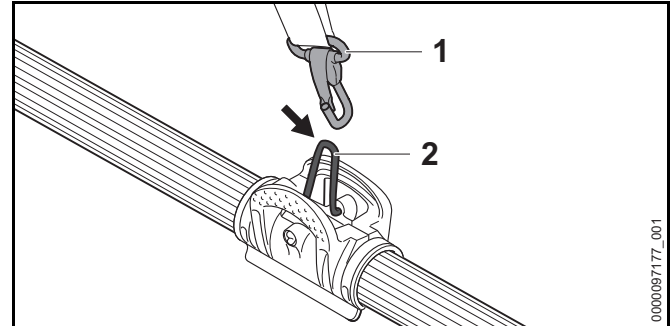
11.3 Fitting and Adjusting the Shoulder Strap



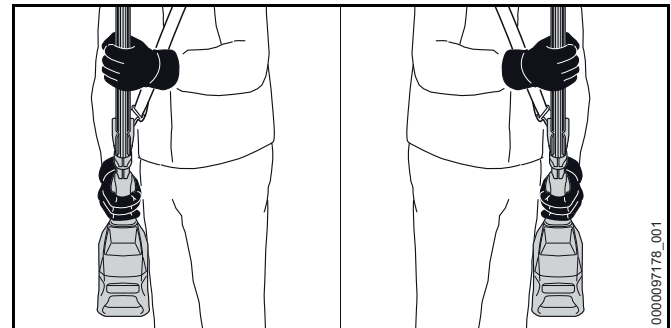
- ▶ Put on the shoulder strap (1).
- ▶ Adjust the shoulder strap (1) so that the carabiner (2) is about a hand's width below your right hip.

Other approved carrying systems are listed in this User Manual, 21.1.

11.4 Holding and Controlling the Pole Pruner



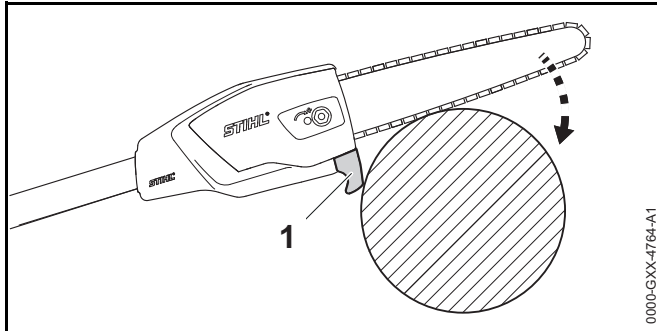
- ▶ Connect the carrying ring (2) to the carabiner (1).



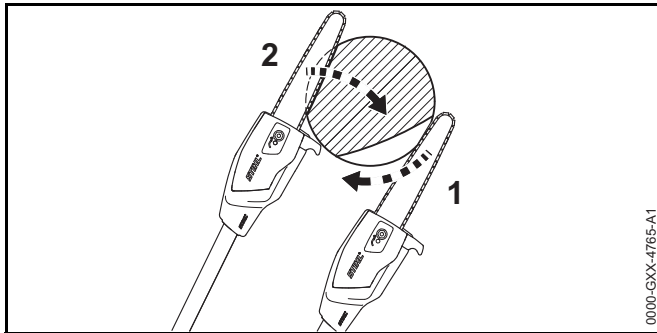
- ▶ Hold the pole pruner with one hand by the control handle – wrap your thumb around the control handle.
- ▶ Hold the pole pruner firmly with your other hand by the handle hose - wrap your thumb around the handle hose.

11.5 Limbing

Cross-cut

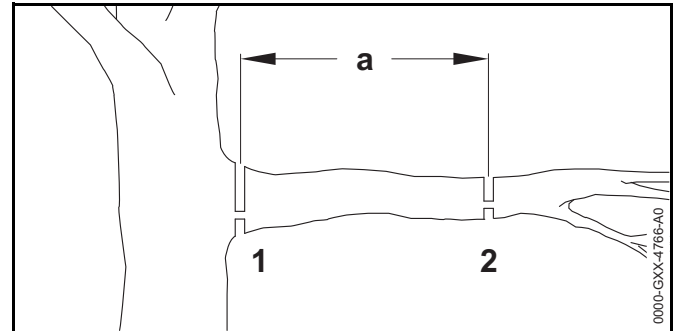


- ▶ Position the stop (1) against the branch.
- ▶ With the chain running a full speed, pivot the guide bar downward against the limb.
- ▶ Cut through the limb with the bottom of the guide bar.



- ▶ If the limb is under tension: Make the relieving cut (1) at the compression side and then perform the bucking cut (2) from the tension side.

Cutting thick branches



- ▶ Perform a relieving cut (2) at cutting point (2) at a distance $a = 20$ cm from the final cross cut (1).
- ▶ Perform a relieving cut and then finish with a cross-cut (1).

12 After Finishing Work

12.1 When Work is Finished

- ▶ Switch off the pole pruner and remove the battery.
- ▶ If the pole pruner is wet: Allow the pole pruner to dry.
- ▶ If the battery is wet: Allow the battery to dry.
- ▶ Clean the pole pruner.
- ▶ Clean the guide bar and saw chain.
- ▶ Loosen the nut on the chain sprocket cover.
- ▶ Back off the tensioning screw 2 turns counterclockwise. The saw chain is now slack.
- ▶ Tighten down the nut on the chain sprocket cover.
- ▶ Fit the chain scabbard so that it completely covers the guide bar.
- ▶ Clean the battery.

13 Transporting

13.1 Transporting the Pole Pruner

- ▶ Switch off the pole pruner and remove the battery.
- ▶ Fit the chain scabbard so that it completely covers the guide bar.
- ▶ Push in shaft completely.

Carrying the pole pruner

- ▶ Carry the pole pruner in one hand by the shaft with the guide bar behind you.

Transporting the pole pruner in the car

- ▶ Secure the pole pruner to prevent turnover and movement.

13.2 Transporting the battery

- ▶ Switch off the pole pruner and remove the battery.
- ▶ Check that the battery is in a safe condition.
- ▶ Pack the battery so that the following points apply:
 - The packaging is electrically non-conductive.
 - The battery cannot move inside the packaging.
- ▶ Secure the packaging so that it cannot move.

The battery is subject to the Carriage of Dangerous Goods regulations. The battery is classified as UN 3480 (lithium ion batteries) and has been tested pursuant to UN Manual Tests and Criteria Part III, Subsection 38.3.

The transport regulations can be found in www.stihl.com/safety-data-sheets.

14 Storing

14.1 Storing the Pole Pruner

- ▶ Switch off the pole pruner and remove the battery.

- ▶ Fit the chain scabbard so that it completely covers the guide bar.
- ▶ Check the following points when storing the pole pruner:
 - The pole pruner is out of the reach of children.
 - The pole pruner is clean and dry.
- ▶ If you store the pole pruner for more than 3 months: Remove the guide bar and saw chain.

14.2 Storing the Battery

STIHL recommends that you store the battery with a charge between 40% and 60% (2 LEDs glow green).

- ▶ Check the following points when storing the battery:
 - Battery is out of the reach of children.
 - Battery is clean and dry.
 - Battery is in an enclosed location.
 - Battery is stored separately from the pole pruner and charger.
 - Battery is in non-conductive packaging.
 - Battery is in a temperature range between -10°C and +50°C.

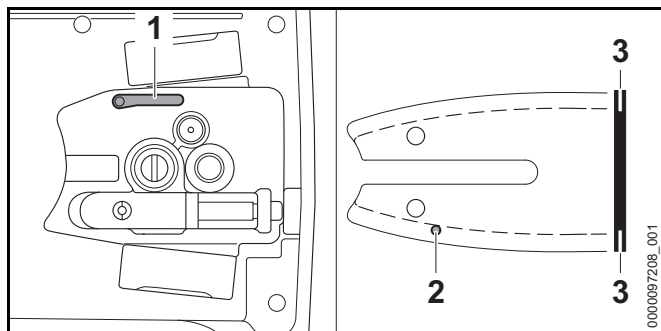
15 Cleaning

15.1 Cleaning the Pole Pruner

- ▶ Switch off the pole pruner and remove the battery.
- ▶ Clean the pole pruner with a damp cloth or STIHL resin solvent.
- ▶ Clean vents with a paintbrush.
- ▶ Remove foreign objects from the battery compartment and clean the battery compartment with a damp cloth.
- ▶ Clean the electrical contacts in the battery compartment with a paintbrush or soft brush.
- ▶ Remove the chain sprocket cover.
- ▶ Clean the area around the chain sprocket with a damp cloth or STIHL resin solvent.
- ▶ Fit the chain sprocket cover.

15.2 Cleaning the Guide Bar and Saw Chain

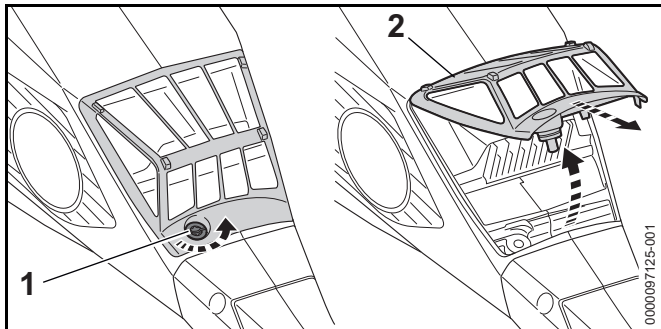
- ▶ Switch off the pole pruner and remove the battery.
- ▶ Remove the guide bar and saw chain.



- ▶ Clean the oil port (1), oil inlet hole (2) and bar groove (3) with a soft brush or STIHL resin solvent.
- ▶ Clean the saw chain with a soft brush or STIHL resin solvent.
- ▶ Mount the guide bar and saw chain.

15.3 Cleaning the Air Filter

- ▶ Switch off the pole pruner and remove the battery.



- ▶ Clean the area around the air filter (2) with a damp cloth or a soft brush.
- ▶ Turn the screw (1) counterclockwise until the air filter (2) can be removed.
- ▶ Swing the air filter (2) upwards and pull it off.

- ▶ Pass the air filter (2) under running water to rinse off coarse dirt from the outside.
- ▶ If the air filter (2) is damaged: Install a new air filter (2).
- ▶ Allow the air filter (2) to dry in the air.
- ▶ Install the air filter (2) in the housing and fold it down. The air filter (2) must sit flush in the housing at all sides.
- ▶ Insert and tighten down the screw (1) firmly.

15.4 Cleaning the Battery

- ▶ Clean the battery with a damp cloth.

16 Maintenance

16.1 Maintenance intervals

Maintenance intervals depend on the ambient conditions and the operating conditions. STIHL recommends the following maintenance intervals:

After every 50 hours of operation

- ▶ Clean the air filter.

Annually

- ▶ Have the pole pruner checked by a STIHL specialist dealer.

16.2 Deburring the Guide Bar

A burr can build up on the outer edge of the guide bar.

- ▶ Remove burr with a flat file or a STIHL guide bar dressing tool.
- ▶ If you have any queries: Contact your STIHL servicing dealer.

16.3 Sharpening the Saw Chain

Correctly sharpening saw chains requires a lot of practice.

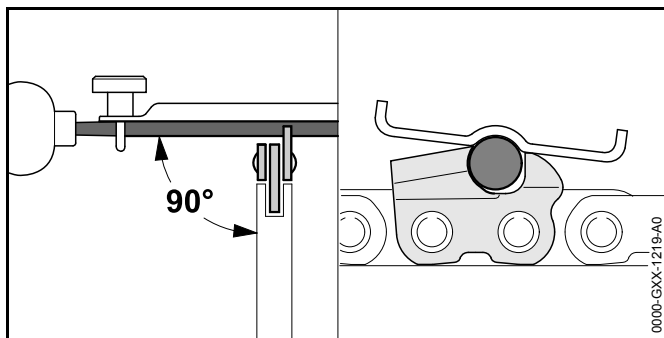
STIHL files, STIHL filing aids, STIHL sharpeners and the brochure "Sharpening STIHL Saw Chains" help you achieve the right results. To obtain the brochure visit <http://www.stihl.com/sharpening-brochure>.

STIHL recommends you have saw chains resharpener by a STIHL servicing dealer.

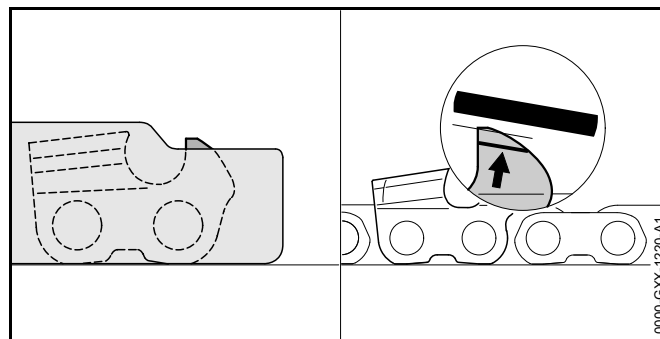
WARNING

The chain's cutters are very sharp. There is a risk of cut injuries.

- ▶ Wear work gloves made of durable material.



- ▶ File each cutter with a round file so that the following points are observed:
 - Round file matches the chain pitch.
 - File from the inside to the outside of the cutter.
 - Hold the file at right angle to the guide bar.
 - Maintain a filing angle of 30°.



- ▶ File down the depth gauges with a flat file so that they are level with the STIHL filing gauge and parallel to the service mark. The STIHL filing gauge must match the chain pitch.
- ▶ If you have any queries: Contact your STIHL servicing dealer for assistance.

17 Repairing

17.1 Repairing the Pole Pruner and Battery

The pole pruner, guide bar, saw chain and battery cannot be repaired by the user.

- ▶ If the pole pruner, guide bar or saw chain are damaged: Do not use your pole pruner and contact your STIHL servicing dealer for assistance.
- ▶ If the battery has a malfunction or is damaged: Replace the battery.

18 Troubleshooting

18.1 Troubleshooting Pole Pruner and Battery

Fault	LEDs on the battery	Cause	Remedy
Pole pruner does not run when switched on.	1 LED flashing green.	State of charge of the battery is too low.	▶ Charge battery as described in the User Manual for chargers STIHL AL 101, 300, 500.
	1 LED emits red light.	The battery is too warm or too cold.	▶ Remove the battery. ▶ Allow the battery to cool down or warm up.
	3 LEDs flash red.	There is a malfunction in the pole pruner.	▶ Remove the battery. ▶ Clean electrical contacts in the battery compartment. ▶ Insert battery. ▶ Switch on the pole pruner. ▶ If 3 LEDs continue flashing red: Do not use the pole pruner and contact a STIHL specialist dealer.
	3 LEDs light up red.	The pole pruner is too hot.	▶ Remove the battery. ▶ Allow the pole pruner to cool down.
	4 LEDs flash red.	There is a fault in the battery.	▶ Remove battery and reinsert it. ▶ Switch on the pole pruner. ▶ If 4 LEDs continue to flash red: Do not use the battery and contact your STIHL dealer for assistance.
		No electrical contact between pole pruner and battery.	▶ Remove the battery. ▶ Clean electrical contacts in the battery compartment. ▶ Insert battery.
		Pole pruner or battery damp.	▶ Allow pole pruner or battery to dry.
Pole pruner cuts out during operation.	3 LEDs light up red.	The pole pruner is too hot.	▶ Remove the battery. ▶ Allow the pole pruner to cool down.
		There is an electrical fault.	▶ Remove battery and reinsert it. ▶ Switch on the pole pruner.
Runtime of pole pruner is too short.		The battery is not fully charged.	▶ Fully charge battery as described in the User Manual for chargers STIHL AL 101, 300, 500.

Fault	LEDs on the battery	Cause	Remedy
		The battery service life has been exceeded.	► Replace battery.
Smell of smoke or burning in the cutting area.		The saw chain has not been correctly sharpened.	Sharpen chain as specified.
		Insufficient saw chain oil in the oil tank.	Fill up with saw chain oil.
		The chain lubrication system is supplying insufficient saw chain oil.	Do not use your pole pruner and contact your STIHL servicing dealer for assistance.
		The saw chain is over-tensioned.	Tension the saw chain as specified.
		The pole pruner is not being used correctly.	Have correct use explained, then practice.

19 Specifications

19.1 STIHL HTA 135 pole pruner

- Permitted batteries:
 - STIHL AP
 - STIHL AR
- Weight without battery: 6.6 kg
- Max. oil tank capacity: 220 cc (0.22 l)
- Degree of electrical protection: IPX4 (protection against splash water from any direction)

The running time is shown at www.stihl.com/battery-life.

19.2 Chain Sprockets

The following chain sprockets may be used:

- 7-tooth for 3/8" P
- 8-tooth for 1/4" P

19.3 Minimum Groove Depth of Guide Bars

The minimum groove depth depends on the pitch of the guide bar.

- 3/8" P: 5 mm
- 1/4" P: 4 mm

19.4 STIHL AP battery

- Battery Technology: Lithium-ion
- Voltage: 36 V
- Capacity in Ah: see rating label
- Energy content in Wh: see rating label
- Weight in kg: see rating label
- Permissible temperature range for operation and storage: -10°C to +50°C

19.5 Sound Values and Vibration Values

K-value (uncertainty) for sound pressure levels is 2 dB(A).
K-value for sound power levels is 2 dB(A). The K-value for vibration levels is 2 m/s².

STIHL recommends wearing ear defenders.

- Sound pressure level L_{pA} measured according to ISO 22868 for 3/8" P: 88 dB(A)
- Sound pressure level L_{pA} measured according to ISO 22868 for 1/4" P: 83 dB(A)
- Sound power level L_{WA} measured according to ISO 22868 for 3/8" P: 102 dB(A)
- Sound power level L_{WA} measured according to ISO 22868 for 1/4" P: 96 dB(A)

Shaft fully compressed:

- Vibration level a_{hv} measured according to ISO 22867
 - Control handle: 4.3 m/s²
 - Handle hose: 5.1 m/s²

Shaft fully extended:

- Vibration level a_{hv} measured according to ISO 22867
 - Control handle: 4.1 m/s²
 - Handle hose: 5.6 m/s²

The vibration levels indicated were measured according to a standardized test method and can be used as a basis for comparing electric power tools. The vibration levels actually occurring may vary from the values indicated, depending on the type of application. The vibration levels indicated can be used for an initial estimate of the vibration stress. The actual vibration stress has to be estimated. The times when the power tool is switched off and the times when it is switched on but running under no load can be taken into account in the estimate.

For information on compliance with Employers' Vibration Directive 2002/44/EC see www.stihl.com/vib.

19.6 REACH

REACH is an EC regulation and stands for the Registration, Evaluation, Authorisation and Restriction of Chemical substances.

For information on compliance with the REACH regulation see www.stihl.com/reach.

20 Bar and Chain Combinations

20.1 STIHL HTA 135 pole pruner

Pitch	Drive link gauge/groove width	Length	Guide bar	Number of teeth, sprocket nose	Number of drive links	Saw chain
3/8" P	1.1 mm	25 cm	Rollomatic E / Light 04	7	39	61 PMM3 (Type 3610)
		30 cm	Rollomatic E Mini / Light 01	7	44	
			Rollomatic E Mini light / Light P01			
		35 cm	Rollomatic E / Light 04	7	50	
1/4" P	1.1 mm	30 cm	Rollomatic E Mini / Light 01	8	64	71 PM3 (Type 3670)

The cutting length of a guide bar depends on the pole pruner being used and the saw chain that is mounted. The actual cutting length of a guide bar may be less than the specified length.

21 Combinations of Carrying Systems

21.1 Combinations of Carrying Systems

The pole pruner may only be used in combination with a carrying system. Approved combinations are listed in this User Manual:



Shoulder strap



Full harness



STIHL AR battery together with the support cushion



Battery belt with strap and attached "AP belt bag with connecting cable" together with the support cushion



Battery belt with attached "AP belt bag with connecting cable" together with the shoulder strap




Carrying system with built-in "AP belt bag with connecting cable" together with the support cushion



RTS backpack carrying system

22 Spare Parts and Accessories

22.1 Spare parts and accessories

STIHL  These symbols indicate original STIHL spare parts and original STIHL accessories.

STIHL recommends the use of original STIHL spare parts and accessories.

Despite ongoing market observation, STIHL is unable to judge the reliability, safety and suitability of other manufacturers' spare parts and accessories; accordingly, STIHL cannot warrant for the use of those parts.

Original STIHL spare parts and original STIHL accessories are available from STIHL dealers.

- Category: Cordless pole pruner
- manufacturer's brand: STIHL
- Model: HTA 135
- serial number: LA01

conforms to the relevant provisions of Directives 2011/65/EU, 2006/42/EC, and 2014/30/EU and has been developed and manufactured in compliance with the following standards in the versions valid on the date of production: EN 55014-1, EN 55014-2, EN 62841-1, taking account of EN ISO 11680-1 and EN 62841-4-1.

The EC type examination test was carried out pursuant to Directive 2006/42/EC, Art. 12.3(b) at: VDE Prüf- u. Zertifizierungsinstitut (NB 0366), Merianstraße 28, 63069 Offenbach, Germany

- HTA 135 certification number: 40051625

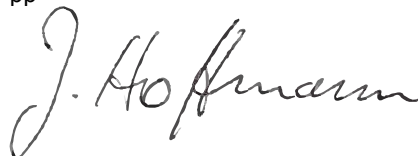
The technical documents are stored at ANDREAS STIHL AG & Co. KG Produktzulassung.

The year of manufacture, country of manufacture and serial number are shown on the pole pruner.

Waiblingen, 20.04.2020

ANDREAS STIHL AG & Co. KG

pp



Dr. Jürgen Hoffmann, Head of Product Data, Regulations and Licensing

23 Disposal

23.1 Disposing of Pole Pruner and Battery

Information on disposal is available from STIHL servicing dealers.

- ▶ Dispose of the pole pruner, guide bar, saw chain, battery, accessories and packaging in accordance with local regulations and environmental requirements.

24 EC Declaration of Conformity

24.1 STIHL HTA 135 pole pruner

ANDREAS STIHL AG & Co. KG
Badstraße 115
D-71336 Waiblingen
Germany

declare under our sole responsibility that

25 General Power Tool Safety Warnings

25.1 Introduction

This chapter reproduces the pre-formulated, general safety precautions specified in the IEC 62841 standard for hand-held motor-operated electric tools.

STIHL is obliged to publish these texts.

The safety precautions and warnings on avoiding an electric shock given under "Electrical Safety" do not apply to STIHL cordless products.

WARNING

Read all the safety precautions, instructions, illustrations and specifications accompanying this electric power tool. Failure to follow the safety warnings and instructions may result in electric shock, fire and/or serious injury. **Save all safety warnings and instructions for future reference.**

The term "electric power tool" in the safety warnings refers to mains-operated (corded) power tools or battery-operated (cordless) power tools.

25.2 Work area safety

- a) **Keep your work area clean and well lit.** Cluttered or dark areas invite accidents.
- b) **Do not work with the electric power tool in potentially explosive environments in which there are inflammable liquids, gases or dusts.** Electric power tools create sparks, which can ignite dusts or fumes.
- c) **Keep children and other people away while you are operating the electric power tool.** Distractions can cause you to lose control of the electric power tool.

25.3 Electrical safety

- a) **Electric power tool plugs must match the outlet. The plug must not be modified in any way. Do not use any adapter plugs with earthed (grounded) electric power tools.** Unmodified plugs and matching outlets will reduce risk of electric shock.
- b) **Avoid touching earthed surfaces such as pipes, radiators, ovens and refrigerators with any part of your body.** There is an increased risk of electric shock if your body is earthed or grounded.
- c) **Keep electric power tools away from rain or moisture.** Water entering an electric power tool will increase the risk of electric shock.
- d) **Do not use the connecting cable for any other purpose. Never carry or pull the electric power tool by the connecting cable or remove the plug by pulling on the cable. Keep the connecting cable away from heat, oil, sharp edges or moving parts.** Damaged or entangled connecting cables increase the risk of electric shock.
- e) **When operating an electric power tool outdoors, use an extension cord suitable for outdoor use.** Use of a cord extension suitable for outdoor use reduces the risk of electric shock.
- f) **If operating an electric power tool in a damp location is unavoidable, use a residual current device (RCD) protected supply.** The use of an RCD reduces the risk of electric shock.

25.4 Personal safety

- a) **Stay alert, watch what you are doing and use common sense when operating an electric power tool. Do not use the electric power tool if you are tired or under the influence of drugs, alcohol or medication.** A moment of inattention while operating the electric power tool may result in serious personal injury.
- b) **Use personal protective equipment. Always wear eye protection.** Protective equipment such as dust mask, non-skid safety shoes, hard hat, or hearing protection fit for the respective type of electric power tool and the respective job will reduce personal injuries.

- c) **Prevent unintentional starting. Check that the electric power tool is switched off before you connect it to the mains, pick it up or carry it.** Accidents can happen if you carry the electric power tool with your finger on the ON / OFF switch or with the electric power tool switched on.
- d) **Remove any setting tools or wrenches before turning the electric power tool on.** A tool or spanner left attached to a rotating part of an electric power tools can lead to injury.
- e) **Avoid placing your body in an unnatural position. Keep proper footing and balance at all times.** This enables better control of the electric power tool in unexpected situations.
- f) **Wear suitable clothing. Do not wear loose clothing or jewelry. Keep your hair and clothes away from moving parts.** Loose clothes, jewelry or long hair may be caught in moving parts.
- g) **If dust extraction and collection devices can be mounted, they should be connected and used correctly.** Use of dust collection can reduce dust-related hazards.
- h) **Do not be lulled into a false sense of security and do not disregard the safety rules even if you are thoroughly familiar with the electric power tool.** Carelessness can result in serious injuries within fractions of a second.
- d) **Unused electric power tools must be stored out of the reach of children. Do not let anyone use the electric power tool who is not familiar with it or has not read the instructions and advice.** Electric power tools are dangerous in the hands of untrained users.
- e) **Maintain electric power tools and accessories with care. Check for misalignment or jamming of moving parts, breakage of parts and any other condition that may affect the functionality of the electric power tool. If damaged, have the electric power tool repaired before use.** Many accidents are caused by poorly maintained electrical power tools.
- f) **Keep cutting tools clean and sharp.** Carefully maintained cutting tools with sharp cutting edges are less likely to jam and are easier to control.
- g) **Use the electric power tool, accessories, tool bits etc. in accordance with these instructions, taking into account the working conditions and the work to be performed.** Use of the electric power tool for operations different from those intended may result in a hazardous situation.
- h) **Keep handles and grip surfaces dry, clean and free from oil and grease.** Slippery handles and grip surfaces do not allow proper operation and control of the electric power tool in unforeseen situations.

25.5 Electric power tool use and care

- a) **Do not force the electric power tool. Use the correct electric power tool for your application.** The correct electric power tool will do the job better and safer at the rate for which it was designed.
- b) **Do not use an electrical power tool if its switch is defective.** Any electric power tool that cannot be switched on or off via the switch is dangerous and must be repaired.
- c) **Disconnect the plug from the power source and/or take a removable battery pack out of the electric power tool before making any adjustments, changing accessories, or storing power tools.** Such preventive safety measures reduce the risk of starting the electric power tool accidentally.

25.6 Battery tool use and care

- a) **Recharge only with the charger specified by the manufacturer.** A charger that is suitable for one type of battery pack may create a risk of fire when used with another battery pack.
- b) **Use power tools only with specifically designated battery packs.** Use of any other battery packs may create a risk of injury and fire.
- c) **When battery pack is not in use, keep it away from other metal objects, like paper clips, coins, keys, nails, screws or other small objects that can make a connection from one terminal to another.** Shorting the battery terminals together may cause burns or a fire.

- d) **Under abusive conditions, liquid may be ejected from the battery; avoid contact. If contact accidentally occurs, flush with water. If liquid contacts eyes, additionally seek medical help.** Liquid ejected from the battery may cause irritation or burns.
- e) **Do not use a battery pack or tool that is damaged or modified.** Damaged or modified batteries may exhibit unpredictable behaviour resulting in fire, explosion or risk of injury.
- f) **Do not expose a battery pack or tool to fire or excessive temperature.** Exposure to fire or temperature above 130 °C (265 °F) may cause explosion.
- g) **Follow all charging instructions and do not charge the battery pack or tool outside the temperature range specified in the instructions.** Charging improperly or at temperatures outside the specified range may damage the battery and increase the risk of fire.

25.7 Service

- a) **Have your power tool serviced by a qualified repair person using only identical replacement parts.** This will ensure that the safety of the power tool is maintained.
- b) **Never service damaged batteries.** Service of battery packs should only be performed by the manufacturer or authorized service providers.

0458-698-0121-A

englisch



www.stihl.com



0458-698-0121-A