

STIHL

STIHL RB 400

Instruction Manual
Notice d'emploi



Ⓞ **Instruction Manual**
1 - 26

Ⓣ **Notice d'emploi**
27 - 56

Contents

Guide to Using this Manual	2
Safety Precautions and Working Techniques	2
Transporting the Unit	11
Before the First Use	12
Connecting and Removing the High-Pressure Hose	13
Connecting the water supply	14
Inserting and Removing the Spray Nozzle	15
Starting the Engine	16
Working	16
Adding Detergent	17
Shutting off the Engine	17
After Finishing Work	18
Storing the Machine	18
Maintenance and Care	19
Maintenance	20
Main Parts	21
Specifications	22
Troubleshooting	24
Maintenance and Repairs	26
Disposal	26

This Manual contains operating and safety instructions for the STIHL RB pressure washer, which is powered by a Kohler gasoline engine. To reduce the risk of serious or fatal injury, it is important that you read, understand and follow the safety precautions and instructions in this instruction manual and the accompanying Kohler owner's manual before using your pressure washer. For further information you can go to www.stihlusa.com (for Canada: www.stihl.ca)

Allow only persons who fully understand this manual to operate your pressure washer.

Contact your STIHL dealer or the STIHL distributor for your area if you do not understand any of the instructions in this manual.

WARNING

Because the pressure washer is gasoline-powered and produces a strong water jet, special safety precautions must be observed to reduce the risk of personal injury. Careless or improper use may cause serious or even fatal injury.

STIHL

Guide to Using this Manual

Symbols in Text

Many operating and safety instructions are supported by illustrations.

The individual steps or procedures described in the manual may be shown in different ways:

- A bullet indicates a step or procedure.

A description of a step or procedure that refers directly to an illustration may contain item numbers that appear in the illustration. For example:

- Remove the screw (1)
- Pull the spark arresting screen (2) upwards out of the muffler

In addition to the operating instructions, this manual may contain paragraphs that require your special attention. Such paragraphs are indicated with the symbols and signal words described below:



DANGER

Indicates a hazardous situation that, if not avoided, will result in death or serious injury.



WARNING

Indicates a hazardous situation that, if not avoided, could result in death or serious injury.



Indicates a risk of property damage, including damage to the machine or its individual components.

Engineering Improvements

STIHL's philosophy is to continually improve all of its products. As a result, engineering changes and improvements are made from time to time. Therefore, some changes, modifications and improvements may not be covered in this manual. If the operating characteristics or the appearance of your machine differs from those described in this manual, please contact your STIHL dealer or the STIHL distributor for your area for assistance.

Safety Precautions and Working Techniques

IMPORTANT SAFETY INSTRUCTIONS



Because the pressure washer is gasoline-powered and produces a powerful water jet, special safety precautions must be observed to reduce the risk of personal injury.



It is important that you read, fully understand and observe the safety precautions and warnings in this instruction manual and the warnings and instructions in the owner's manual for the Kohler engine. Read both manuals before use and periodically thereafter. Careless or improper use may cause serious or fatal injury.

Have your STIHL dealer show you how to operate your pressure washer. A first time operator should obtain practical instruction before using the pressure washer. Observe all applicable national, state and local laws, safety regulations, standards and ordinances.

! WARNING

This pressure washer is to be used only by qualified operators. Minors and untrained persons should never be allowed to use this pressure washer.

Do not lend or rent your pressure washer without the instruction manuals. Be sure that anyone using it understands the information contained in this manual and the accompanying Kohler manual.

! WARNING

Use your pressure washer only for cleaning solid surfaces and other items that will not be damaged by water or the force of the spray jet. Do not use it for other purposes, since misuse may result in personal injury or property damage, including damage to the machine.

! WARNING

To reduce the risk of injury, bystanders, especially children, and animals should not be allowed in the work area while the pressure washer is in use. Close supervision of children is necessary to ensure that they do not enter the work area or play with the machine.

! WARNING

To reduce the risk of injury to bystanders and damage to property, never let your pressure washer run unattended. When it is not in use (e.g., during a work break), shut it off and make sure that unauthorized persons do not use it.

Most of these safety precautions and warnings apply to the use of all STIHL pressure washers. Different models may have different parts and controls. See the appropriate section of this instruction manual and the accompanying Kohler manual for a description of the controls and the function of the parts of your model.

Safe use of a pressure washer involves

1. the operator
2. the pressure washer
3. the use of the pressure washer.

THE OPERATOR**Physical Condition**

You must be in good physical condition and mental health and not under the influence of any substance (drugs, alcohol, etc.) which might impair vision, dexterity or judgment.

! WARNING

Be alert – if you get tired, take a break. Do not operate this machine when you are fatigued. Tiredness may result in loss of control. Working with any pressure washer can be strenuous. If you have any condition that might be aggravated by strenuous work, check with your doctor before operating this machine.

! WARNING

The ignition system of the engine produces an electromagnetic field of a very low intensity. This field may interfere with some pacemakers. To

reduce the risk of serious or fatal injury, persons with a pacemaker should consult their physician and the pacemaker manufacturer before operating this pressure washer.

Proper Clothing**! WARNING**

To reduce the risk of injury, the operator should wear proper protective apparel.

! WARNING

To reduce the risk of eye injury, always wear goggles that are impact-rated and marked as complying with ANSI Z87 "+". Wearers of prescription (Rx) eyewear should wear goggles that can be worn over prescription lenses without disrupting either the prescription eyewear or the proper fit of the goggles.

The noise of the pressure washer may damage your hearing. Always wear sound barriers (ear plugs or ear muffs) to help protect your hearing. Regular users should have their hearing checked regularly.

Be particularly alert and cautious when wearing hearing protection because your ability to hear warnings (shouts, alarms, etc.) is restricted.

Wear boots with non-slip soles.

THE PRESSURE WASHER

For illustrations and definitions of the pressure washer parts, see the chapter on "Main Parts."

WARNING

Never modify this pressure washer in any way. Only attachments supplied by STIHL or expressly approved by STIHL for use with the specific STIHL model are authorized. Although certain unauthorized attachments are usable with STIHL pressure washers, their use may, in fact, be extremely dangerous.

If this pressure washer is subjected to unusually high loads for which it was not designed (e.g., heavy impact or a fall), always check that it is in good condition before continuing work. Check in particular that the fuel system is tight (no leaks) and that the controls and safety devices are working properly. Do not continue operating this machine if it is damaged. In case of doubt, have it checked by your STIHL servicing dealer.

THE USE OF THE PRESSURE WASHER

Transporting the pressure washer

WARNING

Always switch off the engine before transporting the pressure washer. When transporting the pressure washer in a vehicle, properly secure it to prevent turnover, fuel spillage and damage.

STIHL recommends filling the pump with antifreeze if the pressure washer is to be transported or stored at temperatures near or below 32 °F (0 °C). See the storage information at the end of this chapter and the chapter "Storing the Machine."

WARNING

Use caution when opening or folding down the pushbar. Avoid pinching hands or other body parts between the pushbar and housing.

Fuel

WARNING



Gasoline is an extremely flammable fuel. If spilled and ignited by a spark or other ignition source, it can cause fire and serious burn injury or property damage. Use extreme caution when handling gasoline or fuel mix. Do not smoke or bring any fire or flame near the fuel or the pressure washer. Note that combustible fuel vapor may escape from the fuel system or gas can during fueling operations.

WARNING

Incorrect fuels shall not be used as they may prove hazardous.

Fueling Instructions

WARNING

Fuel your pressure washer in well-ventilated areas, outdoors. Always shut off the engine and allow it to cool before refueling. Gasoline vapor pressure may build up inside the fuel tank depending on the fuel used, the weather conditions or other environmental conditions and the use of the machine.

In order to reduce the risk of burns and other personal injury from escaping gas vapor and fumes, remove the fuel filler cap on your pressure washer carefully so as to allow any pressure build-up in the tank to release slowly. Never remove the fuel filler cap while the engine is running.

Select bare ground for fueling and move at least 10 feet (3 m) from the fueling spot before starting the engine. Refuel slowly. Avoid spilling fuel. Wipe off any spilled fuel before starting your machine.

! WARNING

Always refuel slowly and take care to avoid fuel spillage which may cause a risk of fire.

Check for fuel leakage while refueling and during operation. If fuel leakage is found, do not start or run the machine until the leak is fixed and any leaked fuel has been wiped away. Take care not to get fuel on your clothing. If this happens, change your clothing immediately.

Do not overfill the fuel tank. Leave 5/8 inch (16 mm) of space at the top of the tank to allow for fuel expansion.

To reduce the risk of fuel spillage and fire from an improperly installed fuel cap, correctly position and tighten the fuel cap in the fuel tank opening.

! WARNING

Unit vibrations can cause an improperly installed fuel cap to loosen or come off and spill quantities of fuel. In order to reduce the risk of fuel spillage and fire, tighten the fuel filler cap by hand as securely as possible.

See the Kohler owner's manual for additional warnings and instructions related to fuel and fueling.

Connecting the water supply

Do not connect the pressure washer directly to a potable water system.

If hooking up the pressure washer to a potable water system, a backflow preventer must be installed between the water tap and the hose. The design of the backflow preventer must comply with the applicable country-specific regulations.

! WARNING

If potable water has passed through the backflow preventer, it can no longer be regarded as potable water.

Follow the rules laid down by the local water supply company to prevent water flowing back from the pressure washer into the drinking water main.

Do not use the machine with dirty water (i.e., water that contains sand, dirt or other particulate matter). If there is a risk that the water supply is dirty, use an appropriate water filter or find an alternative water source.

Before Starting**! WARNING**

The machine may only be used when all parts are in proper working order. Never operate your pressure washer if it is modified, damaged, improperly adjusted or maintained, or not completely or securely assembled. Never run the

pressure washer with a modified or disconnected governor. Never attempt to modify the controls or safety devices.

! WARNING

Check the fuel system for leaks, especially the visible parts, e.g., filler cap, hose connections. To reduce the risk of personal injury or property damage from fire, do not start the engine if the unit is leaking or showing other signs of damage. Have the machine repaired by an authorized STIHL servicing dealer before using it.

! WARNING

Check that the spark plug boot is securely mounted on the spark plug – a loose boot may cause arcing that could ignite combustible fumes and cause a fire.

! WARNING

Check the on-off switch, choke lever, fuel shut-off and throttle lever for proper function. The throttle lever must move freely.

! WARNING

Ensure that the high-pressure hose is in good condition and not frayed, cracked, deformed or damaged in any way. Never operate the machine with a damaged or worn high-pressure hose – replace it before further use. Using a worn or damaged hose, or one that does not meet the high pressure requirements of the pressure washer, can result in personal injury. If using a replacement or extension high-pressure hose, ensure that it is rated for the maximum PSI of

the pressure washer. STIHL recommends using a STIHL-branded high-pressure replacement/extension hose that is marked for use with your specific model pressure washer.

Protect the high-pressure hose against heat and oil. It must never be crushed, kinked or twisted. Check that all connections are secure and tight before starting work.

 **WARNING**

Inspect the spray lance and spray gun for damage before starting work. The trigger on the spray gun must move easily and automatically return to its starting position when released. The trigger lockout must be in proper working condition. Keep the gripping surfaces clean at all times; it is particularly important to keep them free of pitch, oil, fuel, grease or resin in order for you to maintain a firm grip and properly control your pressure washer.

If using a replacement spray gun or lance, ensure that it is rated for the maximum PSI of the pressure washer. STIHL recommends using STIHL-branded replacement parts that are marked for use with your specific model pressure washer.

To prevent overheating and permanent damage to the pressure washer, always check the engine and pump for proper oil levels before starting work. See also the "Maintenance" chapter in this instruction manual and the appropriate section in the Kohler owner's manual for additional information about maintaining the proper oil level.

Always connect and turn on the water supply to the pump before starting the engine. Do not operate the pressure washer without water. Running the pressure washer without water will cause the pump to overheat, which may result in permanent damage.

Be thoroughly familiar with the controls. Know how to stop the pressure washer and relieve pressures quickly.

Starting

To reduce the risk of fire and burn injuries, start the engine at least 10 feet (3 m) from the fueling spot, outdoors only.

 **WARNING**

Your pressure washer is a one-person machine. To reduce the risk of eye or other injury from water spray and blown or sprayed objects, keep bystanders out of the working area. Engage the trigger lockout on the spray gun and stop the engine immediately if you are approached.

For specific starting instructions, see the appropriate section of your manual. Place the pressure washer on a flat and firm ground or other solid surface in an open area. Maintain good balance and secure footing.

 **WARNING**

When you pull the starter grip, do not wrap the starter rope around your hand. Do not allow the grip to snap back, but guide the starter rope slowly back to permit the rope to rewind properly. Failure to follow this procedure may

result in injuries to your hand or fingers and may damage the starter mechanism.

For specific starting instructions, see the "Starting" chapter in this instruction manual and the appropriate section of the Kohler engine manual.

During Operation

Holding and Controlling the Spray Attachment

 **WARNING**

The spray jet causes reactive forces on the spray attachment in a direction opposite to the direction of the spray (recoil or kickback). Hold the spray attachment firmly with both hands in order to control the reactive forces, including any additional torque produced when using angled spray attachments or an angled spray lance.



! WARNING

To reduce the risk of serious personal injury, always hold the spray attachment with one hand firmly gripping the spray gun and the other hand firmly wrapped around the spray gun or spray lance while you are working. Keep your hands in this position at all times while working in order to help maintain control.

Keep hands and feet and other parts of your body away from the water jet at all times. Severe laceration and fluid injection could result from contact with the water jet.

! WARNING

To reduce the risk of loss of control and personal injury, never operate the pressure washer with the spray gun trigger wired in the open position. To prevent accidental discharge, engage the trigger lockout when not in use.

! WARNING

Do not overreach. Keep proper footing and balance at all times. Special care must be taken in slippery conditions and when working on slopes or uneven ground.

To reduce the risk of stumbling and loss of control, do not walk backward while operating the pressure washer.

! WARNING

To reduce the risk of injury from loss of control, never operate the pressure washer while standing on a ladder or on any other unstable support.

Detergents

! WARNING

This pressure washer was designed for use with water alone or with a detergent specifically designed and approved for use with pressure washers.

Use of unsuitable detergents or cleaning agents can cause personal injury and damage the machine and/or the surface being cleaned.

Always use detergent in the specified dosage – follow the detergent manufacturer's instructions for proper preparation and dilution, as well as safe use and disposal.

Chemical detergents may contain harmful (toxic, caustic, irritant), flammable or explosive substances. In the event of skin or eye contact with detergent, flush the affected body parts with plenty of clean water immediately. If detergent is swallowed, seek medical

attention immediately. Follow all of the detergent manufacturer's warnings and instructions.

Working Conditions

! WARNING



As soon as the engine is running, this machine generates toxic exhaust fumes containing chemicals, such as unburned hydrocarbons (including benzene) and carbon monoxide, that are known to cause respiratory problems, cancer, birth defects, or other reproductive harm and other injuries. Some of the gases (e.g., carbon monoxide) may be colorless and odorless and can cause asphyxiation or death very quickly. To reduce the risk of serious or fatal injury/illness from inhaling toxic fumes, never run the machine indoors, in confined spaces, or in or near areas that are poorly ventilated. If exhaust fumes become concentrated due to insufficient ventilation, move the machine or take other steps to achieve proper ventilation before proceeding.

Maintain adequate distance between the machine and open windows, doors, air intake vents or other openings to prevent exhaust gases from entering

buildings or other confined spaces. Position the machine so that exhaust fumes are directed away from buildings openings.

Never operate the pressure washer in the presence of flammable vapors or combustible dust, gases or other combustible materials.

Exhaust fumes are hot. To reduce the risk of fire, never operate the machine near flammable or combustible materials. Position the machine so that exhaust fumes are directed away from such materials.

WARNING

Aerosols may form while working with a pressure washer. The inhalation of aerosols can be hazardous to health. In order to determine the necessary measures to protect against aqueous aerosols, a risk assessment must be carried out before work starts dependent on the surface to be cleaned and its environment. Class FFP2 or higher respirators are suitable for protection against aqueous aerosols.

WARNING

Hazardous substances (e.g., asbestos or oil) must not be allowed to escape into the environment when working with the pressure washer. Follow all environmental regulations when using your pressure washer.

WARNING

Never spray asbestos-containing materials such as asbestos cement or asbestos siding. Hazardous, breathable asbestos fibers may be released in addition to the dirt.

Breathing asbestos dust is dangerous and can cause severe or fatal injury, respiratory illness or cancer. The use and disposal of asbestos-containing products are strictly regulated by OSHA and the Environmental Protection Agency. If you have any reason to believe that you might be spraying or otherwise disturbing asbestos, or if you cannot be sure, immediately contact your employer or a local OSHA or EPA representative.

WARNING

Never spray any surface containing lead paint. Disturbing lead-based paint is hazardous to human health and can harm the environment. The use and disposal of lead-containing products is strictly regulated by OSHA and the Environmental Protection Agency. If you have any reason to believe that you may be spraying a surface containing lead paint or another lead-containing product, or if you cannot be sure, immediately contact your employer or a local OSHA or EPA representative.

Do not operate the pressure washer at temperatures below 32 °F (0 °C). Protect the pressure washer from freezing temperatures, which can cause cracking of the pump or damage to the high pressure hose or the spray gun.

Operating Instructions

WARNING

In the event of imminent danger or in an emergency, switch off the engine immediately – move the on-off switch to OFF and engage the trigger lockout on the spray gun.

WARNING

Even though bystanders should be kept away from the running pressure washer, never work alone. Keep within calling distance of others in case help is needed.

Stop the engine immediately if you are approached and engage the trigger lockout on the spray gun.

WARNING

Never modify your muffler. Any modification could cause an increase in heat radiation, sparks or sound level, thereby increasing the risk of fire, burn injury or hearing loss. You may also permanently damage the engine. STIHL recommends having your muffler serviced and repaired by a STIHL servicing dealer.

! WARNING

The muffler and other parts of the engine (e.g., fins of the cylinder, spark plug) become hot during operation and remain hot for a while after stopping the engine. To reduce risk of burns, do not touch the muffler and other parts while they are hot. Keep the area around the muffler clean. Do not allow the high pressure hose to make contact with the muffler.

! WARNING

An improperly mounted or damaged cylinder housing or a damaged/deformed muffler shell may interfere with the cooling process of the muffler. To reduce the risk of fire or burn injury, do not continue work with a damaged or improperly mounted cylinder housing or a damaged/deformed muffler shell.

! WARNING

Do not operate your pressure washer if the muffler is damaged, missing or modified. An improperly maintained muffler will increase the risk of fire and hearing loss. Your muffler is equipped with a spark-arresting screen to reduce the risk of fire; never operate your pressure washer if the screen is missing, damaged or clogged. Some state or federal laws or regulations may require a properly maintained spark arrester for certain uses. See the "Maintenance,

Repair and Storing" section of this instruction manual. Remember that the risk of a brush or forest fire is greater in hot or dry weather.

When connecting the water supply to the water inlet, always follow local regulations. If connection to the drinking water main is permitted, never operate the pressure washer without a properly functioning back-flow preventer.

During work**! WARNING**

To reduce the risk of fire/explosion resulting in serious or fatal injury or property damage, never spray flammable or combustible liquids.

**! WARNING**

Never draw fluids into the pump that contain solvents or undiluted acids (e.g., gasoline, heating oil, paint thinner or acetone). These substances damage the materials used in the machine. The spray is highly combustible, explosive and poisonous.

! WARNING

Because of the high pressure and spray velocity, fluids can penetrate the skin and cause fluid injection and/or severe cutting injury. If an accident does occur and the spray appears to have penetrated the skin, seek emergency medical care. Do not treat as a simple cut.

Keep hands and feet and other parts of your body away from the water jet at all times. Severe laceration and fluid injection could result from contact with the water jet.

To reduce the risk of severe laceration or other personal injury, shut off the pressure washer, relieve system pressure and lock the spray gun trigger before changing or adjusting any spray nozzle or accessory.

! WARNING

Never direct the high-pressure jet toward yourself or other persons, not even to clean clothing or shoes. If an accident does occur and the spray appears to have penetrated the skin, seek emergency medical care. Do not treat as a simple cut.

Do not direct the high-pressure jet toward animals.



To reduce the risk of short-circuiting, fire and electrocution, never direct the spray at electrical appliances and equipment, sockets or power cords.

Do not direct the high-pressure jet into places you cannot see.

Never direct the high-pressure jet toward the pressure washer itself or any of its components.

To reduce the risk of property damage, start work at the greatest effective distance from the surface being cleaned. Do not move so close that the surface is damaged by the force of the spray.

Be especially careful when spraying softer materials such as fabric. Caution should be used when directing spray toward fragile materials such as glass. Shattering could result in serious injury.

The machine must not be covered during use or while the engine is still warm. Ensure that the engine is cooled sufficiently before covering.

If you feel sick, if you have a headache, vision problems (e.g., your field of vision gets smaller), hearing problems, dizziness or inability to concentrate, stop work immediately. Such symptoms may be caused by an excessively high concentration of exhaust emissions.

After finishing work

Shut off the engine after finishing work. Then turn off the water supply and squeeze the spray gun trigger to release trapped pressure. Engage the trigger lockout when not in use.

Disconnect the water intake hose between the machine and water supply.

MAINTENANCE, REPAIR AND STORING

If you make a warranty claim for a component which has not been serviced or maintained properly, STIHL may deny coverage.



WARNING

To reduce the risk of serious or fatal injury, STIHL recommends using only authorized STIHL or Kohler replacement parts for maintenance and repair. Strictly follow the maintenance and repair instructions in this instruction manual and the Kohler owner's manual.



WARNING

High-pressure hoses, fittings and couplings are important for machine safety. STIHL recommends using only high-pressure hoses, fittings, couplings and other accessories that have been approved by STIHL for this machine, or technically equivalent parts. Contact your authorized STIHL servicing dealer for a list of authorized parts and accessories.

The high-pressure hose and all fittings, couplings, spray nozzles and accessories must be approved for the permissible excess pressure of the machine.

The permissible excess pressure, the maximum permitted temperature and the date of manufacture are stated on the cladding of the high-pressure hose.



WARNING

Before performing any inspection, maintenance, cleaning or other work on the machine, shut off the engine, turn off the water supply and squeeze the spray gun trigger until the pressure in the system has been fully released. Do not attempt any maintenance or repair work not described in this instruction manual. STIHL recommends that you have such work performed by your STIHL servicing dealer.

Do not clean your machine with a pressure washer. The solid jet of water may damage parts of the machine.



WARNING

To reduce the risk of fire and burn injury or property damage, use only spark plugs authorized by STIHL or Kohler. Always press the spark plug boot snugly onto the spark plug terminal of the proper size. (Note: If terminal has detachable SAE adapter nut, it must be securely attached.) A loose connection between spark plug terminal and the ignition wire connector in the boot may create arcing that could ignite combustible fumes and cause a fire.

Keep the spark plug clean and make sure the ignition lead is in good condition.

! WARNING

Never test the ignition system with the boot removed from the spark plug or with an unseated spark plug, since uncontained sparking may cause a fire.

! WARNING

In California, it is a violation of § 4442 or § 4443 of the Public Resources Code to use or operate gasoline-powered tools on forest-covered, brush-covered or grass-covered land unless the engine's exhaust system is equipped with a complying spark arrester that is maintained in effective working order. The owner/operator of this product is responsible for properly maintaining the spark arrester. Other states or governmental entities/agencies, such as the U.S. Forest Service, may have similar requirements. Contact your local fire agency or forest service for the laws or regulations relating to fire protection requirements.

For maintenance items please also refer to the maintenance chart in this instruction manual.

! WARNING

Do not allow the unit to be used or stored in freezing temperatures. If the pressure washer must be transported or stored in freezing conditions, the pump must be filled with winterize fluid to prevent cracking due to water expansion. See the chapter "Storing the Machine" in this manual.

Store the pressure washer in a dry and locked location out of reach of children.

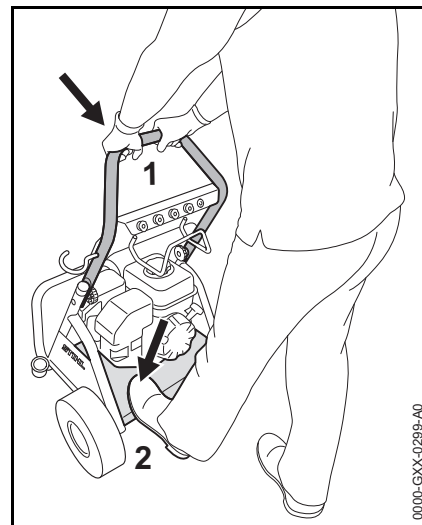
! WARNING

Store fuel in an approved and properly labeled safety-type canister only. To reduce the risk of personal injury or property damage, take care when handling gasoline. Avoid direct contact with the skin and avoid inhaling fuel vapor.

SAVE THESE INSTRUCTIONS!

Transporting the Unit

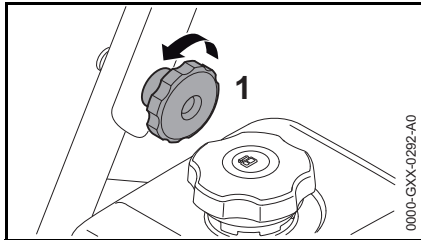
Pushing the pressure washer



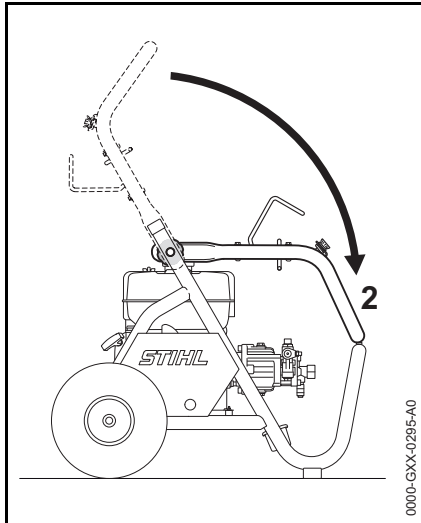
- Press down pushbar (1) with both hands
- Steady the pressure washer with your foot on the kick plate (2)

Folding down the pushbar

The pushbar can be folded down for compact transport and storage.



- Loosen the star knob (1) on both sides



- Swing the pushbar (2) down as far as possible

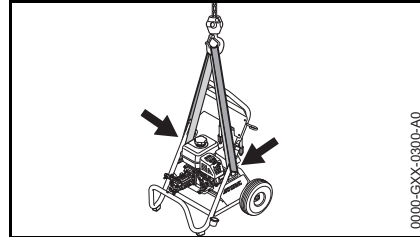
! WARNING

Use caution when opening or folding down the pushbar. Avoid pinching hands or other body parts between the pushbar and housing.

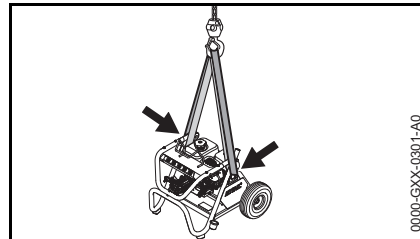
Lifting the pressure washer with a crane

To lift the pressure washer with a crane, secure the straps to the following points on the frame.

Pushbar open



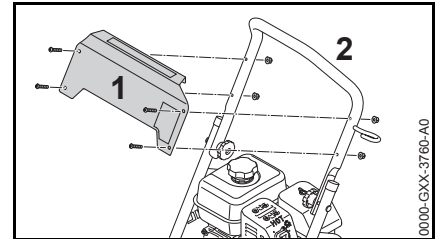
Pushbar folded down



Before the First Use

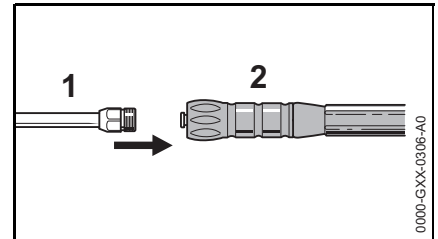
Installing parts and accessories

Dashboard



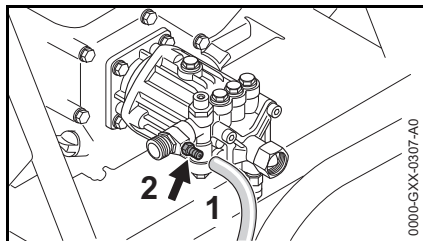
- Attach the dashboard (1) to the frame (2)

Spray lance



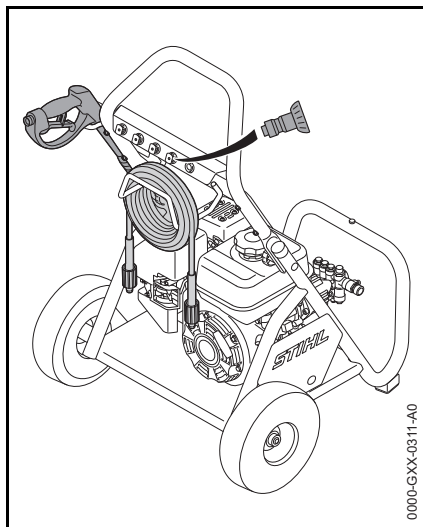
- Attach the spray lance (1) to the spray gun (2)

Suction hose for detergent



- Attach the suction hose for detergent (1) to the low-pressure connector (2) on the pump

Storing accessories



- Place the spray attachment in the holder on the frame
- Hang the high-pressure hose on the holder on the frame
- Insert the high-pressure nozzles in the holders on the frame

Connecting and Removing the High-Pressure Hose

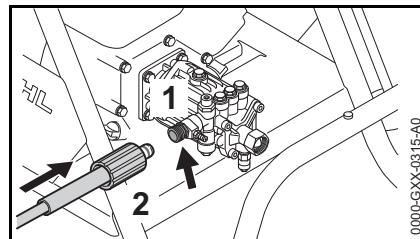
! WARNING

To reduce the risk of severe injury from high pressure spray, always shut off the pressure washer and relieve any remaining pressure in the line by squeezing the spray gun trigger before attempting to remove the high-pressure hose from either the pump or the spray gun.

- Remove all sand and debris from the connections

Connection to the high-pressure pump

Connecting



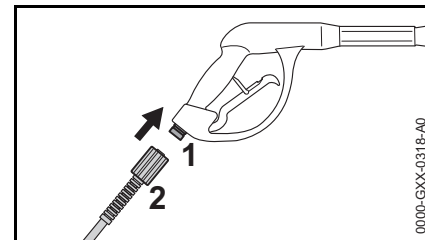
- Push the high-pressure hose into the high pressure connector (1)
- Attach the union nut (2) and screw it on and tighten by hand

Removing

- Unscrew union nut
- Pull the high-pressure hose off pressure connector

Connection to the spray gun

Connecting



- Push the high-pressure hose into the coupling on the spray gun (1)
- Attach the union nut (2) and screw it on and tighten by hand

Removing

- Unscrew the union nut
- Pull the high-pressure hose off the coupling on the spray gun

Connecting the water supply

The pressure washer is equipped with a thermal pressure relief valve, which automatically lets hot water escape from the high-pressure pump. Never use water with a temperature more than 52 °C (125 °F) to run the pressure washer. See the "Working" Chapter in this manual for more information to the thermal pressure relief valve.

Always comply with the water supply requirements in the "Specifications" chapter in this manual.

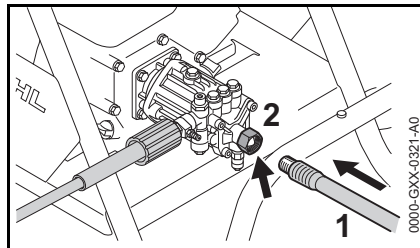


NOTICE

Insufficient water supply can damage the high-pressure pump. Only start the engine when the water hose is connected and the water supply is turned on and delivering the minimum water requirements in the "Specifications" chapter in this manual.

Connecting the water hose

- Remove all sand and debris from the connections
- Connect the water hose to the water supply
- Open the water tap and rinse the water hose so that sand and other particles of dirt cannot get into the high-pressure pump

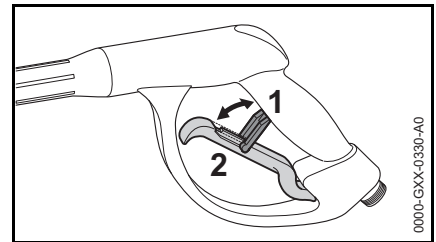


- Turn off the water supply and connect the water hose (1) to the high-pressure pump (2)

Venting the system

Before starting the engine, the high-pressure pump and hose system must be vented:

- After connecting the water supply and high pressure hose to the pressure washer, unroll the high-pressure hose fully and lay it out flat and free from loops
- Turn on the water supply
- Point the spray attachment (without the high-pressure nozzle installed) downward to the ground



- Release the trigger lockout (1)
- Squeeze the spray gun trigger (2) and wait until a uniform water flow emerges from the spray lance
- Release the spray gun trigger and engage the trigger lockout



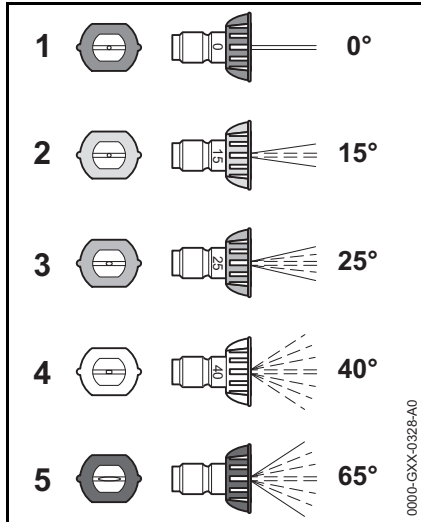
NOTICE

Lack of water can damage the high-pressure pump. Only start the engine when the water hose is connected and the water supply is turned on.

Inserting and Removing the Spray Nozzle

Selecting the appropriate spray nozzle

The pressure washer is offered with a range of high-pressure nozzles that can be connected to the spray lance.



- 1 **Narrow jet nozzle (red) jet angle 0°**
Nozzle for removing stubborn dirt from concrete and metal.
Do not use narrow jet nozzle on wood or other soft surfaces. The concentrated water jet can damage the surface. (Not sold with RB 400, RB 600)
- 2 **Fan-jet nozzle (yellow) jet angle 15°**
Nozzle for removing stubborn dirt.
- 3 **Fan-jet nozzle (green) jet angle 25°**
Universal nozzle for cleaning large surfaces.

- 4 **Fan-jet nozzle (white) jet angle 40°**
Nozzle for cleaning sensitive surfaces.
- 5 **Low-pressure nozzle (black) jet angle 65°**
Nozzle for use with a detergent. Use the low-pressure connector and suction hose to draw detergent from a detergent container. The detergent is added to the water in the high-pressure pump.

Inserting the spray nozzle

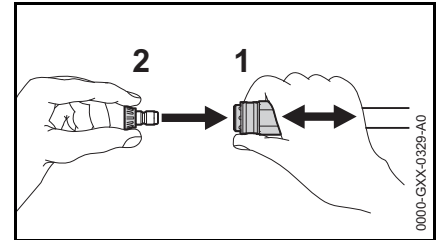
! WARNING

To reduce the risk of severe laceration and other personal injury from fluid injection, shut off the pressure washer, relieve system pressure and lock the spray gun trigger before removing, installing or adjusting any spray nozzle or accessory.

! WARNING

Confirm that the nozzle is fixed securely in the quick-action coupling. If the high-pressure nozzle is not secure, it can fly out of the spray lance during operation and cause injury.

- Shut off the pressure washer and squeeze the spray gun trigger to relieve system pressure
- Lock the spray gun trigger
- Remove all sand and debris from the connection



- Pull back the coupling sleeve (1) as far as it will go and hold it there
- Push the high-pressure nozzle (2) as far as it will go into the coupling
- Push the coupling sleeve forward as far as it will go
- Pull the high-pressure nozzle and confirm that it is seated securely

Removing

- Pull back the coupling sleeve (1) as far as it will go and hold it there
- Pull the high-pressure nozzle (2) out of the coupling
- Release the coupling sleeve

Starting the Engine



NOTICE

Lack of water can damage the high-pressure pump. Only start the engine when the water hose is connected and the water supply is turned on.

- Connect the high-pressure hose
- Connect the water supply hose and turn on the water supply
- Vent the system

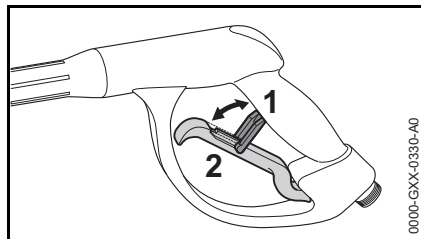
See the sections in this instruction manual on Connecting the Water Supply and Venting the System.

See the Kohler owner's manual for complete starting instructions.

Working

Actuating the spray gun

- Direct the spray attachment towards the surface to be cleaned



- Release the trigger lockout (1)
- Squeeze the spray gun trigger (2)

Standby mode

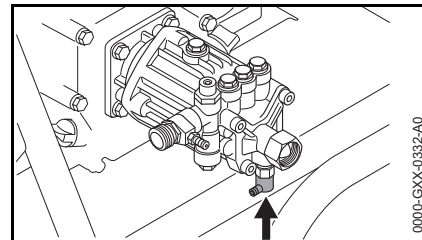
NOTICE

Running the engine for more than 2 minutes without active spraying can cause serious damage to the pressure washer.

Shut off the engine:

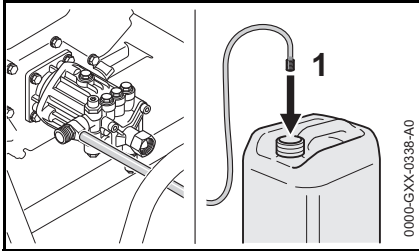
- before taking a break
- if leaving the machine unattended
- any time active spraying will be interrupted for more than 2 minutes

Thermal pressure relief valve



If the engine is running in standby mode without active spraying, the water in the high-pressure pump heats up to 60 °C (140 °F). The thermal pressure relief valve automatically lets the hot water escape from the high-pressure pump so that fresh and cool water can flow into the system.

Adding Detergent



Use the detergent suction hose to draw detergent from a separate container. The detergent is added to the water in the high-pressure pump:

- Add the detergent to a separate container and dilute it with water at the ratio specified by the detergent manufacturer
- Push the pickup body (1) as far as possible into the container
- Connect the black 65° nozzle to the spray lance

Detergent can only be used with the low-pressure, 65° nozzle (black).

When using the detergent suction feature, only use 1 high-pressure hose between the pump and spray gun. Adding extension hoses may cause insufficient detergent suction.

- When applying detergent, start at the bottom and work upwards

For best results, never allow the detergent to dry on the surface to be cleaned. Read and follow the detergent manufacturer's warnings and instructions regarding proper use.

Cleaning the pickup body, hose and injector

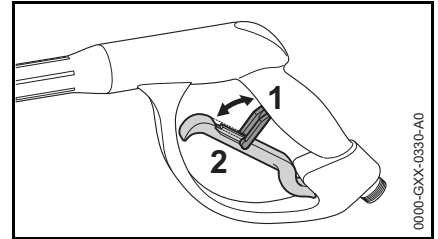
Each time after working with a detergent, run clean water through the pump to clean the hose and other components of the pressure washer.

- Immerse the pickup body in clean, detergent-free water
- Actuate the spray gun for approx. 5 seconds to draw clean water through the hose

Shutting off the Engine

See the Kohler owner's manual for complete instructions on shutting off the engine.

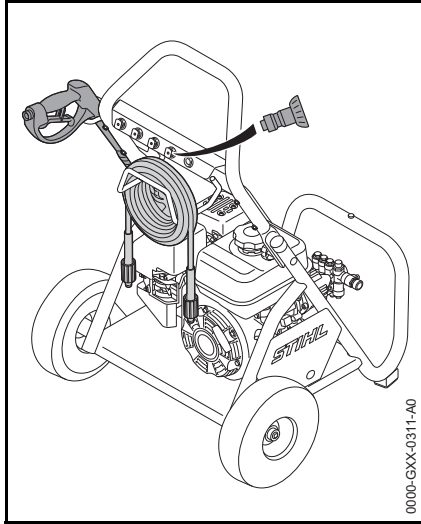
- Shut off the engine
- Turn off the water supply
- Squeeze and hold the spray gun trigger until water only drips from the high-pressure nozzle and the system is depressurized



- Release the spray gun trigger (2) and engage the trigger lockout (1)

After Finishing Work

- Disconnect the water hose
- Disconnect the high-pressure hose



- Roll up the high-pressure hose and hang it on the holder
- Remove the high-pressure nozzle from the spray lance and attach it to the integrated holder on the frame
- Place the spray attachment in the holder
- Wipe down the pressure washer with a damp cloth

Storing the Machine

- Store the pressure washer indoors in a dry room



NOTICE

Freezing temperatures can damage components of the pressure washer. Store the pressure washer indoors in a dry room where it is protected from freezing temperatures.

Frost protection / corrosion protection

If the pressure washer cannot be stored in a room where it is protected from freezing temperatures, carry out the following tasks:

- Drain the water out of the high-pressure hose
- Disconnect the spray lance from the spray gun
- Point the spray lance downward and wait until all the water has flowed out
- Point the spray gun downward, squeeze the spray gun trigger and wait until all the water has flowed out
- Connect a container with winterize fluid either directly or with a suction hose to the water inlet of the high-pressure pump

- When the engine is shut off, pull the starter rope several times until the winterize fluid is drawn into the high-pressure pump and flows out of the high-pressure connector
- Collect the winterize fluid in a container and dispose of it without harming the environment and according to the manufacturer's specifications

Storing the pressure washer for 2 months or longer

If the pressure washer will be out of service for 2 months or more:

Stabilizing the fuel

- Add Kohler PRO Series fuel treatment, or an equivalent fuel stabilizer, to the fuel tank
- To distribute the fuel stabilizer throughout the fuel system, connect the water supply and allow the engine to run for 2 to 3 minutes while squeezing the spray gun



NOTICE

Running the engine for more than 2 minutes without active spraying can cause serious damage to the pressure washer.

Other maintenance work

See the Kohler owner's manual for more information on storing the engine.

Maintenance and Care

Before performing any inspection, maintenance, cleaning or other work on the machine, shut off the engine, turn off the water supply and squeeze the spray gun trigger until the pressure in the system has been fully released.

The information applies in normal operating conditions. The specified intervals must be shortened accordingly for longer daily working hours. If the machine is only used occasionally, the intervals can be extended accordingly. NOTE: Kohler recommends that engine oil be changed after the first 5 hours of operation.		Before starting work	At the end of work and/or daily	Weekly or every 40 operating hours	After the first 5 operating hours	Every 100 operating hours or once a year	If damaged	As required
Entire pressure washer	Visual inspection (condition, leaks)	X						
	Clean		X					X
Oil of the high-pressure pump	Change				X ¹⁾	X ¹⁾		
Connectors on high-pressure hose	Clean		X					X
	Grease							X
Coupling on the spray lance and spray gun	Clean	X						X
Water intake screen at inlet of high-pressure pump	Clean			X				X
	Replace						X	
High-pressure nozzle	Clean							X
	Replace						X	
Ventilation openings / cooling surfaces / air intake ports	Clean	X						X
Injector in outlet of high-pressure pump	Clean							X
Rubber buffer on frame	Check							X
	Replace						X	
Engine	Maintain	Read and follow all maintenance and care instructions in the Kohler engine manual.						

¹⁾ STIHL recommends having work performed by an authorized STIHL servicing dealer

Maintenance

Before carrying out any maintenance or cleaning work:

- Place the pressure washer on a level and clean surface
- Shut off the engine
- Squeeze and hold the spray gun trigger until water only drips from the high-pressure nozzle and the system is depressurized
- Let the pressure washer cool down

General maintenance work

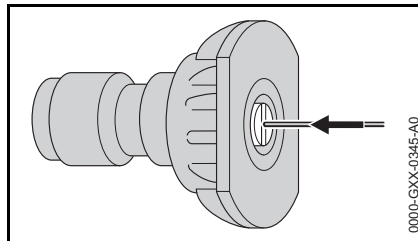
Cleaning the pressure washer

Keep cooling air openings and cylinder fins on engine and high-pressure pump clean to help prevent overheating.

- Clean pressure washer with a damp cloth. Do not clean your machine with a pressure washer. The solid jet of water may damage the machine or its components
- Clean cooling air openings and cylinder fins with a brush or soft brush

Cleaning the high-pressure nozzle

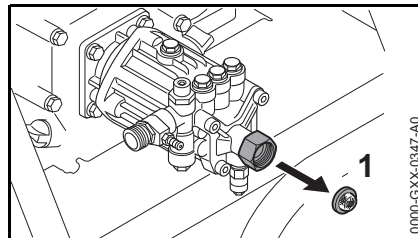
A clogged high pressure nozzle can cause excessive pressure to build in the pump. Clean the high-pressure nozzle if it becomes clogged.



- Remove the high-pressure nozzle
- Clean the high-pressure nozzle from the front with a suitable needle and rinse with water

Maintenance work on the high-pressure pump

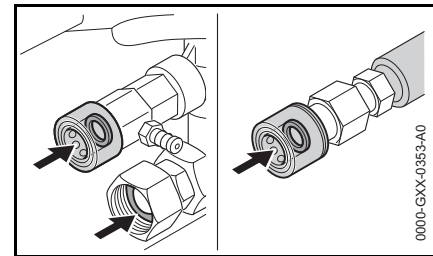
Cleaning the screen in the water inlet



- Remove the screen (1) from the water inlet using a blunt tool, taking care to avoid punching a hole in the screen
- Clean the screen
- Re-insert the screen in the water inlet and press evenly to ensure it is properly seated

Lubricating the connections

Lubricate the following O-rings/gaskets if necessary with a multipurpose grease:

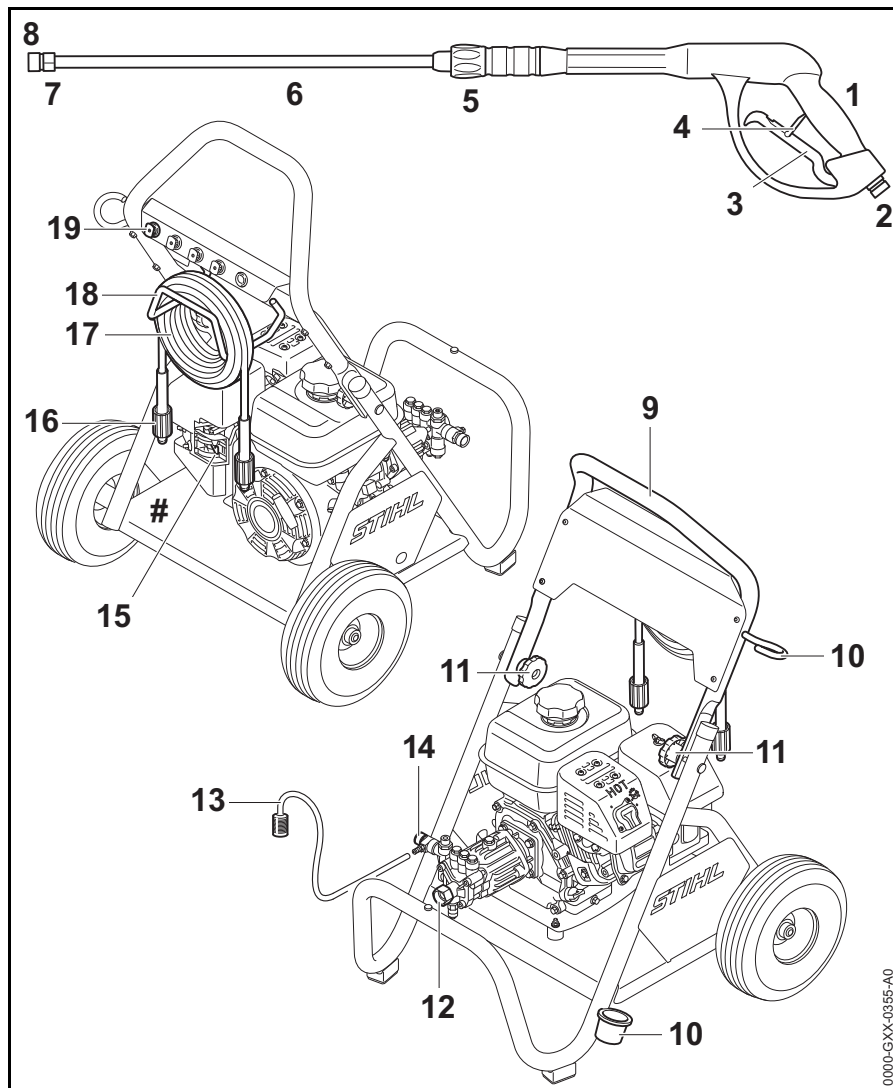


- Gasket on screen in water inlet
- O-ring in coupling sleeve at outlet of high-pressure connector
- O-ring in coupling sleeve on high-pressure hose
- O-ring in coupling on spray lance

Maintenance work on engine

Read and follow the engine operation, care and maintenance instructions in the Kohler owner's manual.

Main Parts



- 1 Spray gun
- 2 Coupling for high-pressure hose
- 3 Spray gun trigger
- 4 Trigger lockout
- 5 Coupling for spray lance
- 6 Spray lance
- 7 Coupling for high-pressure nozzle
- 8 High-pressure nozzle
- 9 Pushbar
- 10 Holder for spray attachment
- 11 Star knob
- 12 Connector for water inlet with screen
- 13 Suction hose for detergent
- 14 Connector for high-pressure hose
- 15 On/Off Switch¹⁾
- 16 Coupling with union nut
- 17 High-pressure hose
- 18 Holder for high-pressure hose
- 19 Holder for high-pressure nozzles
- # Model plate

1) For additional information about the engine and its components, see the Kohler owner's manual.

Definitions

- 1 Spray gun**
Controls the high-pressure jet.
- 2 Coupling for high-pressure hose**
To connect the high-pressure hose to the spray gun.
- 3 Spray gun trigger**
Opens and closes the valve in the spray gun.
- 4 Trigger lockout**
Blocks the Spray gun trigger.
- 5 Coupling for spray lance**
To connect the spray lance to the spray gun.
- 6 Spray lance**
Directs the water from the spray gun to the high-pressure nozzle
- 7 Coupling for high-pressure nozzle**
To connect the high-pressure nozzle to the spray lance.
- 8 High-pressure nozzle**
Creates the form and intensity of the high-pressure jet.
- 9 Pushbar**
To push the pressure washer.
- 10 Holder for spray attachment**
To store the spray attachment.
- 11 Star knob**
To release and fold down the pushbar.
- 12 Connector for water inlet with screen**
To connect the water hose to the high-pressure pump. The screen helps prevent dirt and debris from entering the pump.
- 13 Suction hose for detergent**
To draw detergent from a separate container.
- 14 Connector for high-pressure hose**
To connect the high-pressure hose to the high-pressure pump.
- 15 On/Off Switch**
To start/stop the engine.
- 16 Coupling on high-pressure hose**
To connect the high-pressure hose to the spray gun and to the high-pressure pump.
- 17 High-pressure hose**
Transports the water from the high-pressure pump to the spray gun.
- 18 Holder for high-pressure hose**
To store the high-pressure hose.
- 19 Holder for high-pressure nozzles**
To store the high-pressure nozzles.

Specifications

Engine

Manufacturer:	Kohler
Model designation:	SH 270
Type:	Single cylinder four-stroke engine
Fuel:	Gasoline
See engine instruction manual for additional specifications.	

High-pressure pump

Rated / Permissible Pressure:	psi	2700
	MPa	19
	bar	190
Maximum water throughput:	gpm	2.7
	l/min	10.2
	l/h	620
Maximum kickback force	N	33.1

Water supply

Diameter of water hose:	in.	3/4
Maximum length of water hose:	m	15.25
	ft.	50
Minimum quantity:	gpm	3.7
	l/min	14
	l/h	840
Minimum pressure:	psi	14.5

	bar	1
Maximum pressure:	psi	130
	bar	9
Maximum water temperature	°F	125
	°C	52

Dimensions

Length (approx.):	in.	28.50
	mm	724
Width (approx.):	in.	27.50
	mm	699
Height run position (approx.):	in.	39.50
	mm	1003
Height transport position (approx.):	in.	25.75
	mm	654
Length high-pressure hose (approx.):	ft.	25
	m	7.6
Diameter of high-pressure hose (approx.):	in.	1/4

Weight

Pressure washer with spray attachment and high-pressure hose (approx.):	lbs.	90
	kg	41

Detergent

Mixing ratio: 1:45 detergent to water

Troubleshooting

High-pressure pump

Before performing any inspection, maintenance, cleaning or other work on the machine, shut off the engine, turn off the water supply and squeeze the spray gun trigger until the pressure in the system has been fully released.

Condition	Cause	Remedy
No or too little water coming from the high-pressure nozzle	Water hose kinked	Remove kink
	High-pressure hose kinked	Replace high-pressure hose
Pressure drops or fluctuates	Shortage of water	Open water tap completely Check diameter and length of intake hose
	Engine speed too low	Run engine at full throttle Have the engine repaired ¹⁾
	Water intake screen clogged at inlet of high-pressure pump	Clean water intake screen – see "Maintenance"
	Air in system	Vent system by actuating the spray gun several times at short intervals
	High-pressure pump draws air	Check all connections in water intake, seal if necessary
	High-pressure nozzle clogged / worn	Clean high-pressure nozzle - see "Maintenance" Replace high-pressure nozzle
	Valves in high-pressure pump worn	Have the high-pressure pump repaired ¹⁾
	Gaskets in high-pressure pump worn	Have the high-pressure pump repaired ¹⁾
	High-pressure pump has frozen	Thaw out high-pressure pump
	Water temperature too high	Maintain permissible water temperature – see "Specifications"

¹⁾ STIHL recommends having work performed by an authorized STIHL servicing dealer

Before performing any inspection, maintenance, cleaning or other work on the machine, shut off the engine, turn off the water supply and squeeze the spray gun trigger until the pressure in the system has been fully released.

Condition	Cause	Remedy
Water comes out of the thermal relief valve	Water temperature too high	Do not run pressure washer for longer than 2 minutes without active spraying
	Thermal relief valve leaking	Have the thermal relief valve repaired ¹⁾
Oil comes out of the high-pressure pump	High-pressure pump is leaking	Have the high-pressure pump repaired ¹⁾
No supply of detergents	Detergent tank is empty	Fill detergent tank
	Suction hose or suction intake filter is clogged	Eliminate clog
	Injector dirty or clogged	Clean injector – see "Maintenance"
	Detergent nozzle / low-pressure nozzle not inserted / clogged	Insert / clean detergent nozzle / low-pressure nozzle

Engine


Before performing any inspection, maintenance, cleaning or other work on the machine, shut off the engine, turn off the water supply and squeeze the spray gun trigger until the pressure in the system has been fully released.

Condition	Cause	Remedy
Engine does not start	High-pressure pump has frozen	Thaw out high-pressure pump
	High-pressure pump is blocked	Have the high-pressure pump repaired ¹⁾
	Read and follow the engine operation, care and maintenance instructions in the Kohler engine manual.	
Engine does not start, runs roughly or switches off again straight away	Read and follow the engine operation, care and maintenance instructions in the Kohler engine manual.	
High fuel consumption	Read and follow the engine operation, care and maintenance instructions in the Kohler engine manual.	

¹⁾ STIHL recommends an authorized STIHL servicing dealer

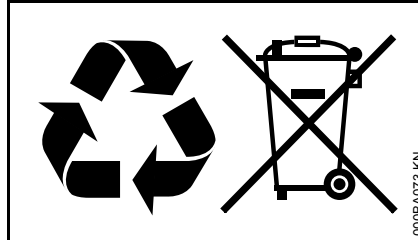
Maintenance and Repairs

Users of this machine should carry out only the maintenance and service work described in this user manual. STIHL recommends that other repair work be performed by authorized STIHL servicing dealers using genuine STIHL replacement parts.

Original STIHL parts can be identified by the STIHL part number, the **STIHL** logo and the STIHL parts symbol  (the symbol may appear alone on small parts).

Disposal

Observe all country-specific waste disposal rules and regulations.



STIHL products must not be thrown in the garbage can. Take the product, accessories and packaging to an approved disposal site for environment-friendly recycling.

Contact your STIHL servicing dealer for the latest information on waste disposal.

Table des matières

Indications concernant la présente Notice d'emploi	28
Prescriptions de sécurité et techniques de travail	28
Transport de l'appareil	39
Avant la première utilisation	40
Raccordement et retrait du flexible haute pression	41
Établissement de l'alimentation en eau	42
Insertion et retrait de la buse de pulvérisation	43
Démarrage du moteur	44
Utilisation	44
Ajout de détergent	45
Arrêt du moteur	46
Après avoir terminé le travail	46
Rangement	46
Instructions pour la maintenance et l'entretien	48
Maintenance	49
Principales pièces	51
Caractéristiques techniques	52
Dépannage	54
Instructions pour les réparations	56
Mise au rebut	56

Le présent manuel contient des instructions d'utilisation et de sécurité pour le nettoyeur à pression STIHL RB, qui est actionné par un moteur à essence Kohler. Pour réduire tout risque de blessure grave ou mortelle, il est très important que vous lisiez, compreniez et observiez les consignes et instructions de sécurité figurant dans le présent manuel ainsi que dans le manuel de l'utilisateur Kohler fourni avant d'utiliser votre nettoyeur à pression. Vous trouverez des informations supplémentaires sur le site www.stihlusa.com (pour le Canada : www.stihl.ca)

N'autorisez l'utilisation du nettoyeur à pression qu'à des personnes qui comprennent parfaitement le présent manuel.

Contactez le distributeur STIHL de votre région si vous ne comprenez pas certaines instructions dans le présent manuel.

AVERTISSEMENT

Du fait que le nettoyeur à pression fonctionne à l'essence et produit un puissant jet d'eau, des précautions particulières doivent être observées pour réduire le risque de blessures. Une utilisation imprudente ou inadaptée peut entraîner des blessures graves ou même mortelles.

STIHL

Indications concernant la présente Notice d'emploi

Symboles employés dans le texte

De nombreuses prescriptions de sécurité et instructions à suivre à l'utilisation de la machine sont illustrées.

Les opérations ou procédures décrites dans la présente Notice d'emploi peuvent être mises en évidence de différentes manières :

- Un point repère une opération ou une procédure.

La description d'une opération ou d'une procédure qui se réfère directement à une illustration reprend les numéros des pièces qui figurent sur l'illustration. Par exemple :

- Enlever la vis (1).
- Enlever la grille pare-étincelles (2) du silencieux en la tirant vers le haut.

En plus des instructions à suivre à l'utilisation, la présente Notice d'emploi peut renfermer des paragraphes dont il faut tout particulièrement tenir compte. De tels paragraphes sont repérés par les symboles et les termes d'avertissement décrits ci-après :



DANGER

Signale une situation dangereuse à éviter car elle causerait un risque de blessure grave, voire mortelle.



AVERTISSEMENT

Signale une situation dangereuse à éviter car elle pourrait causer un risque de blessure grave, voire mortelle.



AVIS

Signale un risque d'endommagement de biens matériels, y compris le risque d'endommagement de la machine ou de ses composants.

Développement technique

La philosophie de STIHL consiste à poursuivre le développement continu de tous ses produits. C'est pourquoi les différents produits font de temps en temps l'objet de modifications et de perfectionnements techniques. Il est donc possible que des modifications et des perfectionnements techniques réalisés entre-temps ne figurent pas encore dans la présente Notice d'emploi. Si par conséquent les caractéristiques de fonctionnement ou la configuration de votre machine diffèrent des descriptions de la présente Notice d'emploi, veuillez consulter votre revendeur spécialisé STIHL ou le distributeur STIHL de votre région qui pourra vous donner des informations complémentaires et vous conseiller.

Prescriptions de sécurité et techniques de travail

CONSIGNES DE SÉCURITÉ IMPORTANTES



Du fait que le nettoyeur à pression fonctionne à l'essence et produit un puissant jet d'eau, des précautions particulières doivent être observées pour réduire le risque de blessures.



Il est important que vous lisiez, compreniez parfaitement et observiez les consignes de sécurité et les avertissements figurant dans le présent manuel ainsi que les avertissements et les instructions dans le manuel d'utilisation du moteur Kohler. Lisez les deux manuels avant l'utilisation et consultez-les ensuite régulièrement. Une utilisation imprudente ou inadaptée peut entraîner des blessures graves, voire mortelles.

Demandez à votre distributeur STIHL de vous montrer comment utiliser le nettoyeur à pression. Il convient qu'un opérateur qui va se servir du nettoyeur à pression pour la première fois reçoive une instruction pratique avant

l'utilisation. Observez toutes les lois, réglementations de sécurité, normes et ordonnances en vigueur au niveau national, régional et local.

AVERTISSEMENT

Seuls des opérateurs qualifiés sont autorisés à utiliser ce nettoyeur à pression. Il convient de ne jamais autoriser les mineurs et les personnes non formées à utiliser ce nettoyeur à pression.

Ne prêtez et ne louez pas votre nettoyeur à pression sans les manuels d'utilisation. Assurez-vous que toute personne qui l'utilise comprend parfaitement les informations contenues dans le présent manuel et dans le manuel Kohler joint.

AVERTISSEMENT

Utilisez votre nettoyeur à pression pour nettoyer des surfaces solides et d'autres objets qui ne seront pas endommagés par la force du jet. Ne l'utilisez pas à d'autres fins, un usage inadapté peut entraîner des lésions corporelles ou des dommages matériels, y compris des dommages à l'appareil.

AVERTISSEMENT

Pour réduire tout risque de blessure, il convient que les spectateurs, notamment les enfants et les animaux ne soient pas autorisés dans la zone de travail pendant l'utilisation du nettoyeur à pression. Une surveillance attentive des enfants est nécessaire pour avoir la certitude qu'ils ne pénètrent pas dans la zone de travail ou jouent avec l'appareil.

AVERTISSEMENT

Pour réduire le risque de blessure aux spectateurs et de dommages matériels, ne laissez jamais votre nettoyeur à pression fonctionner sans surveillance. Lorsqu'il n'est pas utilisé (par exemple pendant une pause), éteignez-le et assurez-vous qu'aucune personne non autorisée ne puisse l'utiliser.

La majorité de ces consignes de sécurité et avertissements s'appliquent à l'utilisation de tous les nettoyeurs à pression STIHL. Les différents modèles peuvent être équipés de pièces et de commandes différentes. Consultez la section appropriée du présent manuel et du manuel Kohler joint pour une description des commandes et de la fonction des commandes et des pièces de votre modèle.

L'utilisation en toute sécurité d'un nettoyeur à pression implique

1. l'opérateur
2. Le nettoyeur à pression
3. l'utilisation du nettoyeur à pression

L'OPÉRATEUR

Condition physique

Vous devez être en bonne condition physique et mentale et ne pas être sous l'influence d'une substance quelconque (médicaments, alcool, etc.) qui peut altérer la vision, la dextérité ou le jugement.

AVERTISSEMENT

Soyez attentif – faites une pause lorsque vous vous sentez fatigué. N'utilisez pas cet appareil lorsque vous êtes fatigué. La fatigue peut provoquer une perte de contrôle. Le travail avec n'importe quel nettoyeur à pression peut être épuisant. Il est conseillé à toute personne qui ne doit pas se fatiguer pour des raisons de santé de consulter son médecin pour savoir si l'utilisation de cet appareil ne présente aucun risque.

AVERTISSEMENT

Le système d'allumage du moteur produit un champ électromagnétique de très faible intensité. Ce champ peut interférer avec certains stimulateurs cardiaques. Pour réduire tout risque de lésion grave ou mortelle, il convient que les porteurs de stimulateur cardiaque consultent leur médecin et le fabricant du stimulateur cardiaque avant d'utiliser ce nettoyeur à pression.

Vêtements adaptés

AVERTISSEMENT

Pour réduire tout risque de blessure, il convient que l'opérateur porte une combinaison protectrice appropriée.

AVERTISSEMENT



Pour réduire tout risque de blessure aux yeux, toujours porter des lunettes à l'épreuve des chocs et conformes à la norme ANSI Z87 « + ». Il convient que les porteurs de verres correcteurs (Rx) portent des lunettes protectrices pouvant être portées par-dessus les verres correcteurs sans perturber la correction prescrite ni l'ajustement des lunettes protectrices.

Le bruit du nettoyeur à pression peut endommager votre audition. Portez toujours des barrières acoustiques (bouchons d'oreille ou coquilles antibruit) pour protéger votre audition. Il convient que les utilisateurs réguliers fassent contrôler périodiquement leur audition.

Soyez particulièrement attentif et prudent lorsque vous portez une protection auditive, car votre aptitude à entendre les alertes (cris, alarmes, etc.) est limitée.

Portez des bottes équipées de semelles antidérapantes.

LE NETTOYEUR À PRESSION

Voir le chapitre « Principales pièces » pour les illustrations et les définitions des pièces du nettoyeur à pression.

AVERTISSEMENT

N'apportez jamais une quelconque modification à ce nettoyeur à pression. Seuls sont autorisés les accessoires fournis par STIHL ou expressément autorisés par STIHL pour une utilisation avec ce modèle STIHL précis. Bien que certains accessoires non autorisés puissent être utilisés avec les nettoyeurs à pression STIHL, leur utilisation peut en réalité s'avérer extrêmement dangereuse.

Si ce nettoyeur à pression a subi des contraintes inhabituelles (par exemple choc ou chute), il faut impérativement vérifier qu'il présente une parfaite sécurité de fonctionnement avant de poursuivre le travail. Vérifiez notamment que le système de carburant est étanche (pas de fuites) et que les commandes et les dispositifs de sécurité fonctionnent correctement. Ne continuez pas d'utiliser cet appareil s'il est endommagé. En cas de doute, faites-le contrôler par votre distributeur agréé STIHL.

L'UTILISATION DU NETTOYEUR À PRESSION

Transport du nettoyeur à pression

AVERTISSEMENT

Arrêtez toujours le moteur avant de transporter le nettoyeur à pression. Si vous transportez le nettoyeur à pression dans un véhicule, bloquez-le de manière appropriée pour éviter qu'il se retourne, les écoulements de carburant et les dommages.

STIHL recommande de remplir la pompe d'antigel si le nettoyeur à pression sera transporté ou entreposé à des températures proches de 32 °F (0 °C) ou plus basses. Consultez les informations relatives à l'entreposage à la fin de ce chapitre et dans le chapitre « Rangement de l'appareil ».

AVERTISSEMENT

Soyez prudent en ouvrant ou en abaissant la barre à pousser. Évitez de vous coincer les mains ou d'autres parties du corps entre la barre à pousser et le boîtier.

Carburant**! AVERTISSEMENT**

L'essence est un carburant extrêmement inflammable. Si elle se répand et s'allume sous l'effet d'une étincelle ou d'une autre source d'allumage, elle peut provoquer un incendie avec pour conséquences de graves brûlures ou des dommages matériels. Soyez extrêmement prudent lorsque vous manipulez de l'essence ou un mélange de carburant. Ne fumez pas et n'approchez ni feu ni flamme à proximité du carburant ou du nettoyeur à pression. Notez que des vapeurs de carburant combustibles peuvent s'échapper du système de carburant ou du bidon d'essence pendant les opérations d'avitaillement.

**! AVERTISSEMENT**

Il ne faut pas utiliser de carburants inadaptés, car ils peuvent d'avérer dangereux.

Instructions d'avitaillement**! AVERTISSEMENT**

Faites le plein de carburant de votre nettoyeur à pression dans des zones bien ventilées à l'extérieur. Arrêtez

toujours le moteur et laissez-le refroidir avant l'avitaillement. Des vapeurs de carburant sous pression peuvent s'accumuler dans le réservoir, suivant le carburant utilisé, les conditions météorologiques ou les autres conditions environnementales et l'utilisation de l'appareil.

Pour réduire le risque de brûlures et d'autres lésions corporelles provoquées par les vapeurs et émanations de carburant qui s'échappent, retirez le bouchon de remplissage de carburant sur votre nettoyeur à pression avec prudence afin que la pression qui s'est éventuellement établie dans le réservoir puisse s'échapper lentement. Ne retirez jamais le bouchon de remplissage pendant que le moteur tourne.

Choisissez un sol nu pour l'avitaillement et éloignez-vous d'au moins 10 pieds (3 m) du point d'avitaillement avant de démarrer le moteur. Versez le carburant lentement. Évitez de répandre du carburant. Essuyez toute trace de carburant répandu avant de démarrer votre appareil.

! AVERTISSEMENT

Remplissez toujours le réservoir lentement et en veillant à éviter de répandre du carburant qui pourrait provoquer un incendie.

Vérifiez l'absence de fuites de carburant pendant l'avitaillement et pendant le fonctionnement. Si vous découvrez une fuite de carburant, ne démarrez pas ni n'utilisez l'appareil avant d'avoir réparé la fuite et essuyé toute trace de carburant qui se serait répandu. Veillez à ne pas répandre de carburant sur vos vêtements. Si cela se produit, changez immédiatement vos vêtements.

Ne remplissez pas trop le réservoir à carburant. Laissez 5/8 de pouce (16 mm) d'espace en haut du réservoir pour permettre l'expansion du carburant.

Pour réduire le risque de dispersion de carburant et d'incendie pouvant résulter d'un bouchon de remplissage mal monté, positionnez correctement et serrez fermement le bouchon du réservoir à essence sur le réservoir.

AVERTISSEMENT



Si le bouchon est mal monté, les vibrations de l'appareil peuvent le desserrer ou même le faire tomber avec pour conséquence la dispersion de carburant. Afin de réduire tout risque de dispersion de carburant et d'incendie, serrez le bouchon du réservoir aussi fort que possible à la main.

Consultez le manuel d'utilisation Kohler pour des avertissements et des instructions supplémentaires concernant le carburant et l'avitaillement.

Raccordement de l'alimentation en eau



Ne raccordez pas le nettoyeur à pression directement à un réseau d'eau potable.

Si vous raccordez le nettoyeur à pression à un réseau d'eau potable, vous devez poser un clapet de non-retour entre le robinet d'eau et le tuyau. La conception du clapet de non-retour doit être en conformité avec la réglementation spécifique du pays.

AVERTISSEMENT

De l'eau potable qui a traversé le clapet de non-retour n'est plus considérée comme de l'eau potable.

Observez les règles définies par la compagnie de distribution d'eau locale pour éviter que de l'eau reflue du nettoyeur à pression dans le réseau d'eau potable.

N'utilisez pas l'appareil avec de l'eau sale (c'est à dire de l'eau contenant du sable, des impuretés ou d'autres matières particulaires). S'il existe un risque quelconque pour que l'eau soit sale, installez un filtre à eau approprié ou trouvez une source d'eau alternative.

Avant de démarrer

AVERTISSEMENT

L'appareil ne doit être mis en service que si aucun de ses composants n'est endommagé. N'utilisez jamais votre nettoyeur à pression s'il est modifié, endommagé, mal réglé ou mal entretenu ou s'il n'est pas assemblé entièrement ou de manière sécurisée. Ne faites jamais fonctionner le nettoyeur à pression avec un régulateur modifié ou débranché. N'apporter aucune modification aux dispositifs de commande et de sécurité.

AVERTISSEMENT

Vérifiez l'absence de fuite au niveau du circuit de carburant, notamment sur les parties visibles, par exemple bouchon de remplissage, raccords des tuyaux. Pour réduire tout risque de blessures ou de dommages matériels résultant d'un incendie, ne démarrez pas le moteur si l'appareil a des fuites ou d'autres signes de dommage. Faites réparer l'appareil par un distributeur agréé STIHL avant de l'utiliser.

AVERTISSEMENT

Vérifiez que la coiffe de la bougie d'allumage est bien en place sur la bougie – une coiffe desserrée peut provoquer des arcs qui risquent d'enflammer des vapeurs combustibles et provoquer un incendie.

AVERTISSEMENT

Vérifiez le bon fonctionnement de l'interrupteur Marche/Arrêt, du levier d'étrangleur, de la vanne d'arrêt de carburant et de la manette des gaz. La manette des gaz doit pouvoir se déplacer librement.

AVERTISSEMENT

Assurez-vous que le flexible haute pression est en bon état non effiloché, fissuré, déformé ou endommagé d'une manière quelconque. N'utilisez jamais l'appareil avec un flexible haute pression endommagé ou usé – remplacez-le avant toute nouvelle utilisation. L'utilisation d'un flexible haute pression usé ou endommagé, ou un modèle qui ne répond pas aux exigences de haute pression du nettoyeur à pression peut provoquer des blessures. Si vous utilisez un flexible haute pression de rechange ou un prolongateur, assurez-vous qu'il est conçu pour la pression maximale du nettoyeur à pression. STIHL recommande d'utiliser un flexible de rechange/prolongateur de marque STIHL qui comporte un marquage indiquant qu'il est conçu pour être utilisé avec votre modèle spécifique de nettoyeur à pression.

Protégez le flexible haute pression de la chaleur et de l'huile. Il ne doit jamais être écrasé, coudé ou torsionné. Vérifiez que tous les raccords sont bloqués et bien serrés avant de commencer le travail.

AVERTISSEMENT

Examinez la lance de pulvérisation et le pistolet pour vérifier l'absence de dommages avant de commencer le travail. La gâchette du pistolet doit pouvoir être actionnée facilement et revenir d'elle-même en position initiale lorsqu'on la relâche. Le bouton de blocage de la gâchette doit être en bon état opérationnel. Gardez les surfaces de préhension propres à tout moment ; il est particulièrement important qu'elles soient exemptes de pois, d'huile, de carburant, de graisse ou de résine afin que vous puissiez garder un maintien ferme et un bon contrôle de votre nettoyeur à pression.

Si vous utilisez un pistolet ou une lance de pulvérisation de rechange, assurez-vous qu'il est conçu pour la pression maximale du nettoyeur à pression. STIHL recommande d'utiliser des pièces de rechange de marque STIHL qui comportent un marquage indiquant qu'elles sont conçues pour être utilisées avec votre modèle spécifique de nettoyeur à pression.

Pour éviter une surchauffe et un dommage permanent au nettoyeur à pression, vérifiez toujours si les niveaux d'huile dans le moteur et la pompe sont corrects avant de commencer le travail. Consultez également le chapitre « Maintenance » dans le présent manuel et dans la section appropriée du

manuel d'utilisation Kohler pour plus d'informations à propos du maintien d'un niveau d'huile correct.

Branchez et ouvrez toujours l'arrivée d'eau vers la pompe avant de démarrer le moteur. Ne faites pas fonctionner le nettoyeur à pression sans eau. Un fonctionnement du nettoyeur à pression sans eau entraînera une surchauffe de la pompe avec risque de dommage permanent.

Soyez parfaitement familiarisé avec les commandes. Sachez comment arrêter le nettoyeur à pression et relâcher la pression rapidement.

Démarrage

Pour réduire le risque d'incendie et de brûlure, démarrez le moteur à une distance minimale de 10 pieds (3 m) du point d'avitaillement et uniquement à l'extérieur.

AVERTISSEMENT

Votre nettoyeur à pression est une machine pour une seule personne. Les autres personnes présentes doivent rester hors de la zone de travail afin de réduire tout risque de blessure oculaire ou autre provoquée par le jet d'eau et des objets soufflés ou pulvérisés. Engagez le verrouillage de la gâchette sur le pistolet de pulvérisation et arrêtez le moteur immédiatement si quelqu'un s'approche.

Reportez-vous à la section appropriée de votre manuel d'utilisation pour les instructions de démarrage spécifiques. Placez le nettoyeur à pression sur un support plan et ferme ou toute autre

surface solide dans un espace ouvert. Gardez un bon équilibre et une posture stable.

AVERTISSEMENT

Lorsque vous tirez sur la poignée du démarreur, n'enroulez pas la corde du démarreur autour de votre main. Ne laissez pas la poignée revenir brusquement en arrière, mais guidez lentement le retour de la corde du démarreur afin de lui permettre de s'enrouler proprement. Le non-respect de cette procédure peut provoquer des blessures à votre main ou vos doigts et peut endommager le mécanisme du démarreur.

Reportez-vous au chapitre « Démarrage » du présent manuel ainsi qu'à la section appropriée du manuel du moteur Kohler pour les instructions de démarrage spécifiques.

Pendant l'utilisation

Tenue et contrôle de l'outil de pulvérisation

AVERTISSEMENT

Le jet pulvérisé produit des forces réactives sur l'outil de pulvérisation dans une direction opposée au sens de la pulvérisation (recul ou rebond). Maintenez toujours l'outil de pulvérisation fermement des deux mains pour pouvoir maîtriser les forces réactives ainsi que le couple supplémentaire qui se produit lors de l'utilisation d'outils de pulvérisation coudés ou d'une lance coudée.



! AVERTISSEMENT

Pour réduire le risque de blessure grave, tenez toujours l'outil de pulvérisation avec une main en maintenant fermement le pistolet de pulvérisation et l'autre main solidement enroulée autour du pistolet de pulvérisation ou de la lance pendant que vous travaillez. Gardez vos mains dans cette position à tout moment pendant le travail pour vous aider à maîtriser l'appareil.

Gardez à tout moment les mains, les pieds et les autres parties du corps à distance du jet d'eau. Un contact avec le jet d'eau pourrait provoquer de sérieuses lacérations et une injection de liquide.

! AVERTISSEMENT

Pour réduire tout risque de perte de contrôle et de blessure, n'utilisez jamais le nettoyeur à pression avec la gâchette

du pistolet de pulvérisation câblée en position ouverte. Pour éviter toute décharge accidentelle, engagez le verrouillage de la gâchette lorsqu'il n'est pas en cours d'utilisation.

! AVERTISSEMENT

Ne vous penchez pas trop. Gardez une bonne tenue sur pieds et un bon équilibre à tout moment. Il faut être particulièrement prudent par conditions glissantes et en travaillant sur des pentes ou un sol irrégulier.

Pour réduire le risque de trébuchement et de perte de contrôle, ne marchez pas en arrière pendant le fonctionnement du nettoyeur à pression.

! AVERTISSEMENT

Pour réduire tout risque de blessure résultant d'une perte de contrôle, n'utilisez jamais le nettoyeur à pression en vous tenant sur une échelle ou tout autre support instable.

Produits de nettoyage

! AVERTISSEMENT

Ce nettoyeur à pression a été conçu pour être utilisé uniquement avec de l'eau ou avec un détergent conçu spécifiquement et homologué pour une utilisation avec les nettoyeurs à pression.

L'utilisation de détergents ou de produits de nettoyage inadaptés peut provoquer des lésions corporelles et des dommages à l'appareil et/ou à la surface nettoyée.

Utilisez toujours le dosage correct de détergent, observez les instructions du fabricant du détergent pour une préparation et une dilution correctes et aussi pour une utilisation et une élimination en toute sécurité.

Les détergents chimiques peuvent renfermer des substances nocives (toxiques, caustiques, irritantes), combustibles ou facilement inflammables. Si du détergent devait entrer en contact avec les yeux ou la peau, rincer immédiatement et abondamment à l'eau claire. Consulter immédiatement un médecin en cas d'ingestion. Respectez tous les avertissements et toutes les instructions du fabricant du détergent.

Conditions de travail



Dès que le moteur tourne, l'appareil génère des vapeurs toxiques contenant des produits chimiques tels que des hydrocarbures non brûlés (y compris du benzène) et du monoxyde de carbone qui sont connus pour provoquer des problèmes respiratoires, le cancer, des malformations congénitales ou d'autres problèmes de reproduction et aussi d'autres lésions. Certains gaz (par exemple le monoxyde de carbone) peuvent être incolores et inodores et peuvent très rapidement entraîner une asphyxie ou même la mort. Pour réduire le risque de blessures/maladies graves ou mortelles résultant de l'inhalation de vapeurs toxiques, ne faites jamais fonctionner l'appareil à l'intérieur ou à proximité de zones qui sont mal ventilées. En présence d'une concentration de gaz d'échappement pour cause de ventilation insuffisante, déplacez l'appareil ou prenez d'autres mesures pour réaliser une ventilation appropriée avant de continuer.

Maintenez une distance adéquate entre l'appareil et les fenêtres, portes et bouches d'aérations ouvertes pour éviter que les gaz d'échappement pénètrent dans les bâtiments ou d'autres espaces confinés. Positionnez l'appareil de telle sorte que les gaz d'échappement soient dirigés à l'opposé des ouvertures des bâtiments.

N'utilisez jamais le nettoyeur à pression en présence de vapeurs inflammables ou de poussières et gaz combustibles ou de toute autre matière combustible.

Les gaz d'échappement sont chauds. Pour réduire les risques d'incendie, ne faites jamais fonctionner l'appareil à proximité de matières inflammables ou combustibles. Positionnez l'appareil de telle sorte que les gaz d'échappement soient dirigés à l'opposé de telles matières.



Des aérosols peuvent se former pendant le travail avec un nettoyeur à pression. L'inhalation des aérosols peut être dangereuse pour la santé. En vue de déterminer les mesures de protection nécessaires contre les aérosols aqueux, il faut procéder à une évaluation des risques avant de commencer le travail en fonction de la surface à nettoyer et de son environnement. Des appareils de protection respiratoire de Classe FFP2 ou supérieure sont adaptés à une protection contre les aérosols aqueux.



Il faut empêcher que des substances dangereuses (par exemple de l'amiante ou de l'huile) se dispersent dans

l'environnement en travaillant avec le nettoyeur à pression. Respectez toutes les règles de protection de l'environnement en utilisant votre nettoyeur à pression.

AVERTISSEMENT

Ne pulvérisez jamais sur des matériaux contenant de l'amiante, tels que le ciment à base d'amiante ou les parements en amiante. Outre les saletés, le jet peut détacher des fibres d'amiante dangereuses car elles risquent de pénétrer dans les poumons.

L'inhalation de poussière d'amiante est dangereuse et peut causer des maladies graves, voire mortelles, des maladies respiratoires ou le cancer. L'utilisation et la mise au rebut des produits contenant de l'amiante sont strictement réglementées par l'OSHA et l'EPA. Si vous avez une raison quelconque de penser que vous pulvérisez sur de l'amiante ou que vous puissiez l'altérer d'une autre manière, ou si vous avez le moindre doute, contactez immédiatement votre employeur ou un représentant local de l'OSHA ou de l'EPA.

AVERTISSEMENT

Ne pulvérisez jamais sur une surface quelconque contenant de la peinture au plomb. L'altération de la peinture à base de plomb est dangereuse pour la santé humaine et peut nuire à l'environnement. L'utilisation et la mise au rebut des produits contenant du plomb sont strictement réglementées par l'OSHA et l'EPA. Si vous avez une raison quelconque de penser que vous pulvérisez sur une surface contenant de

la peinture au plomb ou tout autre produit contenant du plomb, ou si vous avez le moindre doute, contactez immédiatement votre employeur ou un représentant local de l'OSHA ou de l'EPA.

Ne faites pas fonctionner le nettoyeur à pression à des températures inférieures à 32 °F (0 °C). Protégez le nettoyeur à pression des températures glaciales qui peuvent provoquer la formation de fissures dans la pompe ou des dommages au flexible haute pression ou au pistolet de pulvérisation.

Instructions d'utilisation

AVERTISSEMENT

En cas de danger imminent ou en situation d'urgence, arrêtez immédiatement le moteur, amenez l'interrupteur Marche/Arrêt en position OFF et engagez le verrouillage de la gâchette du pistolet de pulvérisation.

AVERTISSEMENT

Ne travaillez jamais seul, même s'il convient de tenir les spectateurs à distance du nettoyeur à pression en fonctionnement. Restez à portée de voix des autres personnes au cas où vous auriez besoin d'aide.

Si quelqu'un s'approche, arrêtez immédiatement le moteur et engagez le verrouillage de la gâchette du pistolet de pulvérisation.

AVERTISSEMENT

Ne modifiez jamais votre pot d'échappement. Toute modification pourrait provoquer un accroissement du

rayonnement thermique, des étincelles ou un niveau sonore accru, augmentant ainsi le risque d'incendie, de brûlure ou de lésions auditives. Vous risquez également d'endommager le moteur de façon irréversible. STIHL recommande de faire réparer et entretenir votre pot d'échappement par un distributeur agréé STIHL.

AVERTISSEMENT



Le pot d'échappement et les autres pièces du moteur (par exemple les ailettes du cylindre, la bougie d'allumage) deviennent chauds pendant le fonctionnement et restent chauds longtemps après l'arrêt du moteur. Pour réduire le risque de brûlures, ne touchez pas le pot d'échappement et les autres pièces pendant qu'ils sont chauds. Gardez la zone autour du pot d'échappement propre. Ne laissez pas le flexible haute pression entrer en contact avec le pot d'échappement.

AVERTISSEMENT

Un carter de cylindre mal monté ou endommagé ou encore une coque de pot d'échappement endommagée/déformée peut interférer avec le processus de refroidissement du pot d'échappement. Pour réduire le risque d'incendie ou de brûlure, ne poursuivez pas votre travail avec un

carter de cylindre endommagé ou mal monté ou avec une coque de pot d'échappement endommagée/déformée.

AVERTISSEMENT

N'utilisez pas votre nettoyeur à pression si le pot d'échappement est endommagé, manquant ou a été modifié. Un pot d'échappement mal entretenu augmentera le risque d'incendie et de lésions auditives. Votre pot d'échappement est équipé d'un écran pare-étincelles destiné à réduire le risque d'incendie ; ne faites jamais fonctionner votre nettoyeur à pression si l'écran est manquant, endommagé ou obstrué. Les lois ou réglementations de certains états ou au niveau fédéral peuvent imposer un pare-étincelles bien entretenu pour certaines applications. Consultez la section « Maintenance, réparation et entreposage » du présent manuel d'utilisation. Rappelez-vous que le risque d'un feu de broussailles ou d'un incendie de forêt est plus élevé par temps chaud ou sec.

Respectez toujours la réglementation locale lorsque vous raccordez l'alimentation en eau à l'entrée d'eau. Si un raccordement au réseau d'eau potable est autorisé, ne faites jamais fonctionner le nettoyeur à pression sans un clapet de non-retour en ordre de marche.

Pendant le travail

AVERTISSEMENT



Pour réduire le risque d'incendie/d'explosion pouvant entraîner des blessures graves ou mortelles ou aussi de sérieux dommages, ne pulvérisez jamais de liquides inflammables ou combustibles.



AVERTISSEMENT

N'aspirez jamais dans la pompe des liquides contenant des solvants ou des acides non dilués (par exemple essence, mazout, diluant pour peinture ou acétone). Ces substances endommagent les matériaux employés sur l'appareil. Le brouillard pulvérisé est hautement inflammable, explosible et toxique.

AVERTISSEMENT



Du fait de la pression élevée et de la vitesse de pulvérisation, les liquides peuvent pénétrer dans la peau et provoquer une injection de liquide et/ou de graves coupures. Consultez immédiatement un médecin si le jet semble avoir pénétré sous la peau suite à un accident. Ne le considérez pas comme une simple coupure.

Gardez à tout moment les mains, les pieds et les autres parties du corps à distance du jet d'eau. Un contact avec le jet d'eau pourrait provoquer de sérieuses lacérations et une injection de liquide.

Pour réduire le risque de sérieuses lacérations ou d'autres blessures, arrêtez le nettoyeur à pression, dépressurisez le système et verrouillez la gâchette du pistolet de pulvérisation avant de modifier ou de régler une buse de pulvérisation ou un accessoire quelconque.

AVERTISSEMENT



Ne dirigez jamais le jet à haute pression sur vous-même ou sur d'autres personnes, pas même pour nettoyer des vêtements ou des chaussures. Consultez immédiatement un médecin si le jet semble avoir pénétré sous la peau suite à un accident. Ne le considérez pas comme une simple coupure.

Ne dirigez pas le jet à haute pression sur des animaux.



Pour réduire tout risque de court-circuit, d'incendie et d'électrocution, ne dirigez jamais le jet sur des appareils et des équipements électriques, des prises ou des cordons d'alimentation.

Ne pas diriger le jet haute pression vers des endroits non visibles.

Ne dirigez jamais le jet à haute pression vers le nettoyeur lui-même ou l'un de ses composants.

Pour réduire tout risque de dommages matériels, commencez par travailler à la plus grande distance efficace de la surface à nettoyer. Ne vous approchez pas trop près pour ne pas endommager la surface avec la force du jet.

Soyez particulièrement prudent lors de la pulvérisation sur des matériaux tendres comme le tissu. Il convient d'être prudent en dirigeant le jet sur des matériaux fragiles comme le verre. Le bris pourrait provoquer de graves blessures.

L'appareil ne doit pas être couvert pendant l'utilisation ou lorsque le moteur est encore chaud. Assurez-vous que le moteur a suffisamment refroidi avant de le couvrir.

Arrêtez immédiatement le travail si vous vous sentez mal, avez des maux de tête, des problèmes de vision (par exemple si votre champ de vision se rétrécit), des problèmes auditifs, des vertiges ou si vous êtes dans l'incapacité de vous concentrer. Ces symptômes peuvent être causés par une concentration excessivement élevée de gaz d'échappement.

Après le travail

Arrêtez le moteur après avoir terminé le travail. Coupez ensuite l'arrivée d'eau et enfoncez la gâchette du pistolet de pulvérisation pour évacuer la pression

dans le système. Engagez le verrouillage de la gâchette lorsque l'appareil n'est pas en cours d'utilisation.

Débranchez le tuyau d'arrivée d'eau entre l'appareil et la source d'eau.

Entretien, entreposage et réparation

Si vous faites une demande de garantie pour un composant qui n'a pas été réparé ou entretenu correctement, la couverture peut être refusée.

AVERTISSEMENT

Pour réduire le risque de blessures graves ou mortelles, STIHL recommande d'utiliser uniquement des pièces de rechange autorisées par STIHL ou Kohler pour l'entretien et les réparations. Respectez scrupuleusement les instructions de maintenance et de réparation dans le présent manuel et dans le manuel d'utilisation Kohler.

AVERTISSEMENT

Les flexibles haute pression, les raccords et les éléments de robinetterie sont essentiels pour la sécurité de l'appareil. STIHL recommande d'utiliser exclusivement des flexibles haute pression, des éléments de robinetterie, des raccords et autres accessoires qui sont autorisés par STIHL pour cet appareil, ou des pièces techniquement équivalentes. Contactez votre distributeur agréé STIHL pour obtenir une liste des pièces détachées et accessoires autorisés.

Le flexible haute pression et tous les raccords, buses de pulvérisation et accessoires doivent être homologués pour la pression de service maximale admissible de l'appareil.

La pression de service maximale admissible, la température maximale admissible et la date de fabrication sont indiquées sur la gaine du flexible haute pression.

AVERTISSEMENT

Avant d'effectuer une quelconque opération d'inspection, d'entretien, de nettoyage ou autre sur l'appareil, arrêtez le moteur, fermez l'arrivée d'eau et enfoncez la gâchette du pistolet jusqu'à ce que le système soit totalement dépressurisé. N'effectuez que les interventions de maintenance et réparations décrites dans le présent manuel. STIHL recommande de faire effectuer ces travaux par un distributeur agréé STIHL.

Ne nettoyez pas votre appareil avec un nettoyeur à pression. Le jet d'eau compact peut endommager des pièces de l'appareil.

AVERTISSEMENT

Pour réduire le risque d'incendie et de brûlure ou de dommages matériels, utilisez uniquement les bougies d'allumage autorisées par STIHL ou Kohler. Enfoncez toujours la coiffe de bougie fermement sur la borne de la bougie de taille appropriée. (Remarque: Si la borne est pourvue d'un écrou adaptateur SAE amovible, il doit être solidement fixé.) Un mauvais contact entre la borne de la bougie d'allumage et

le connecteur du fil d'allumage dans la coiffe peut provoquer des arcs qui risquent d'enflammer des vapeurs combustibles et provoquer un incendie. Gardez la bougie d'allumage propre et assurez-vous que le fil d'allumage est en bon état.

! AVERTISSEMENT

Ne testez jamais le système d'allumage lorsque la coiffe est retirée de la bougie ou avec une bougie sortie de son logement, car les étincelles non confinées peuvent provoquer un incendie.

! AVERTISSEMENT

En Californie, l'utilisation ou le fonctionnement d'outils à essence sur un terrain recouvert de forêt, de buissons ou d'herbe constitue une violation des § 4442 ou § 4443 du Public Resources Code, sauf si le système d'échappement du moteur est équipé d'un pare-étincelles conforme qui est maintenu en ordre de marche effectif. Le propriétaire/opérateur de ce produit est responsable de l'entretien correct du pare-étincelles. D'autres états ou entités/agences gouvernementales, comme l'U.S. Forest Service, peuvent avoir des exigences similaires. Contactez les pompiers ou le service forestier local pour connaître les lois ou réglementations concernant les exigences en matière de protection incendie.

Pour les éléments concernant la maintenance, veuillez également consulter le tableau de maintenance dans le présent manuel.

! AVERTISSEMENT

Ne laissez personne utiliser ou entreposer l'appareil à des températures givrantes. Si le nettoyeur haute pression doit être transporté ou stocké dans des conditions de gel, la pompe doit être remplie de liquide d'hivernage pour éviter les fissures dues à la dilatation de l'eau. Consultez le chapitre « Rangement de l'appareil » dans le présent manuel.

Entreposez le nettoyeur à pression dans un endroit sec et sous clé, hors de portée des enfants.

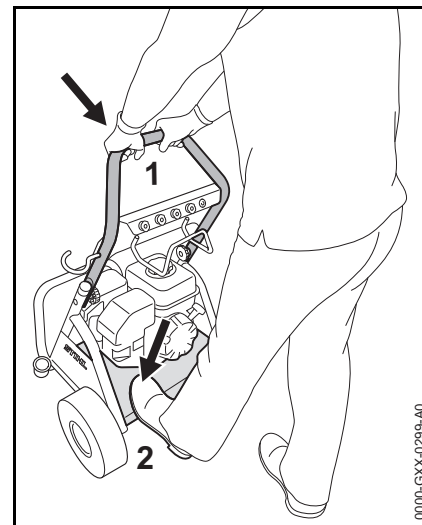
! AVERTISSEMENT

Entreposez le carburant uniquement dans un bidon de sécurité homologué et étiqueté de manière appropriée. Soyez prudent en manipulant de l'essence afin de réduire les risques de lésion corporelle ou de dommages matériels. Évitez tout contact direct avec la peau et l'inhalation de vapeurs de carburant.

CONSERVEZ CES INSTRUCTIONS !

Transport de l'appareil

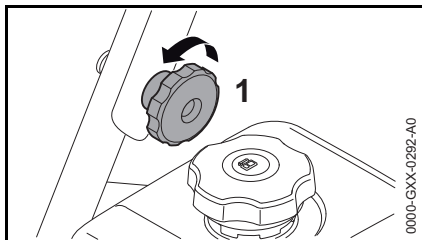
Pousser le nettoyeur à pression



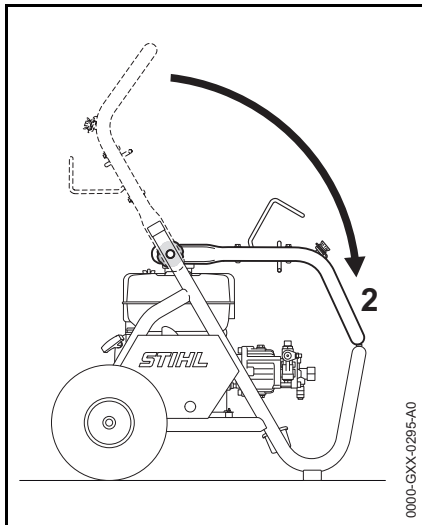
- Appuyez sur la barre à pousser (1) des deux mains.
- Stabilisez le nettoyeur à pression avec votre pied sur la plaque de poussée (2)

Pliage vers le bas de la barre à pousser

La barre à pousser peut être repliée vers le bas afin de réduire l'encombrement au transport et à l'entreposage.



- Desserrez le bouton moleté (1) des deux côtés.



- Basculez la barre à pousser (2) aussi loin que possible vers le bas

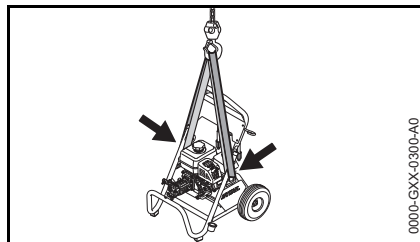
! AVERTISSEMENT

Soyez prudent en ouvrant ou en abaissant la barre à pousser. Évitez de vous coincer les mains ou d'autres parties du corps entre la barre à pousser et le boîtier.

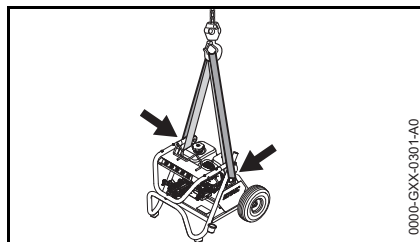
Levage du nettoyeur à pression avec une grue

Pour lever le nettoyeur à pression avec une grue, fixez les sangles aux points suivants sur le cadre.

Barre à pousser ouverte



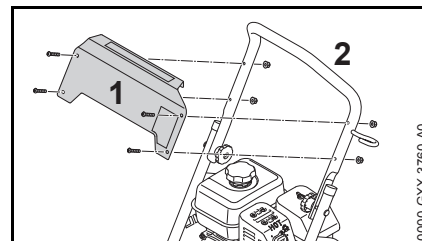
Barre à pousser repliée vers le bas



Avant la première utilisation

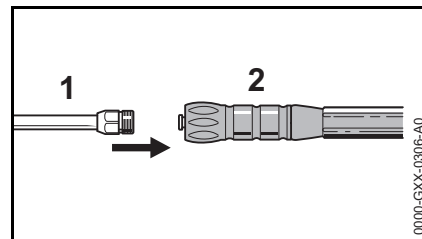
Installation des pièces détachées et des accessoires

Tableau de bord



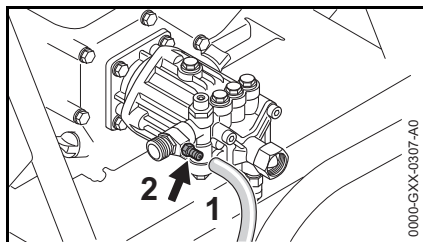
- Fixez le tableau de bord (1) au cadre (2).

Lance de pulvérisation



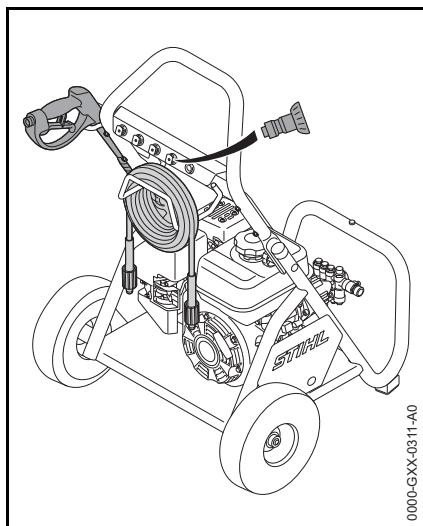
- Fixez la lance de pulvérisation (1) au pistolet (2).

Tuyau d'aspiration de détergent



- Raccordez le tuyau d'aspiration de détergent (1) au connecteur basse pression (2) sur la pompe

Stockage des accessoires



- Placez l'outil de pulvérisation dans le support sur le cadre
- Accrochez le flexible haute pression au support sur le cadre
- Insérez les buses à haute pression dans les supports sur le cadre

Raccordement et retrait du flexible haute pression

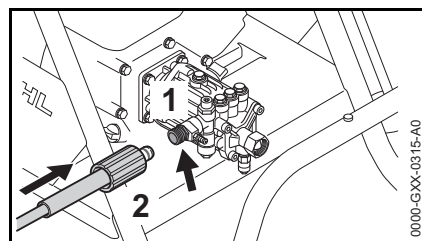
⚠ AVERTISSEMENT

Pour réduire le risque de blessures graves provoquées par un jet à haute pression, éteignez toujours le nettoyeur à pression et libérez la pression résiduelle dans la ligne en enfonçant la gâchette du pistolet avant toute tentative de retirer le flexible haute pression de la pompe ou du pistolet.

- Retirez complètement le sable et les débris des raccords

Raccordement à la pompe à haute pression

Raccordement



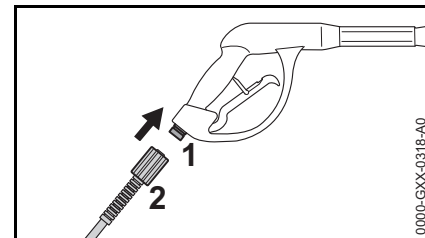
- Enfoncez le flexible haute pression dans le connecteur haute pression (1)
- Montez l'écrou d'accouplement (2), puis vissez-le et serrez-le à la main

Dépose

- Dévissez l'écrou d'accouplement
- Tirez le flexible haute pression pour le séparer du connecteur haute pression

Raccordement au pistolet de pulvérisation

Raccordement



- Enfoncez le flexible haute pression dans le coupleur sur le pistolet (1)
- Montez l'écrou d'accouplement (2), puis vissez-le et serrez-le à la main

Dépose

- Dévissez l'écrou d'accouplement
- Tirez le flexible haute pression pour le séparer du coupleur sur le pistolet

Établissement de l'alimentation en eau

Le nettoyeur à pression est équipé d'une soupape de décharge thermique qui laisse l'eau chaude s'échapper automatiquement de la pompe à haute pression. N'utilisez jamais le nettoyeur à pression avec de l'eau dont la température est supérieure à 52 °C (125 °F). Consultez le chapitre « Travail » dans le présent manuel pour plus d'informations à propos de la soupape de décharge thermique.

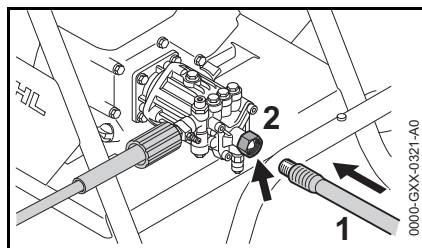
Respectez toujours les exigences en matière d'alimentation en eau figurant dans le chapitre « Spécifications » du présent manuel.



Une alimentation en eau insuffisante peut endommager la pompe à haute pression. Démarrez uniquement le moteur lorsque le tuyau à eau est raccordé et l'arrivée d'eau ouverte, et que cette dernière délivre le débit d'eau minimum exigé dans le chapitre « Spécifications » du présent manuel.

Raccordement du tuyau à eau

- Retirez complètement le sable et les débris des raccords
- Raccordez le tuyau à eau à la source d'eau
- Ouvrez le robinet et rincez le tuyau à eau pour éviter que du sable et d'autres particules pénètrent dans la pompe à haute pression

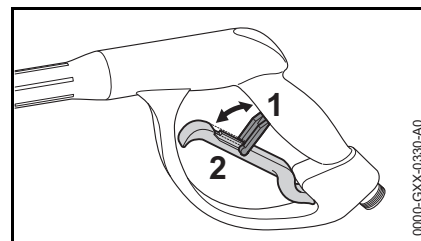


- Fermez l'arrivée d'eau et raccordez le tuyau à eau (1) à la pompe à haute pression (2)

Purge du système

Une purge de la pompe à haute pression et du jeu de tuyaux est nécessaire avant de démarrer le moteur :

- Après avoir branché l'arrivée d'eau et le flexible haute pression au nettoyeur à pression, déroulez complètement le flexible haute pression et posez-le à plat et sans boucles
- Ouvrez l'arrivée d'eau
- Dirigez l'outil de pulvérisation (non équipé de la buse à haute pression) vers le bas, vers le sol



- Libérez le bouton de blocage de la gâchette (1)
- Enfoncez la gâchette (2) du pistolet de pulvérisation et attendez la sortie d'un jet d'eau uniforme de la lance de pulvérisation
- Relâchez la gâchette du pistolet et engagez le bouton de blocage de la gâchette

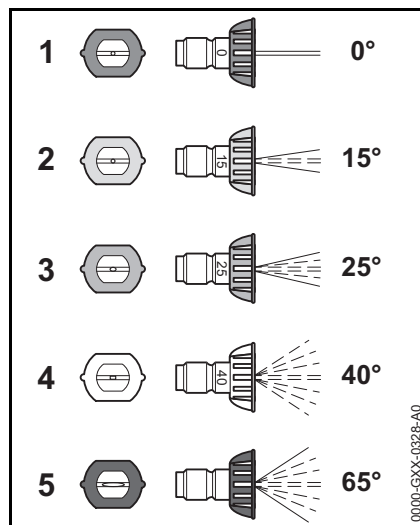


Un manque d'eau peut endommager la pompe à haute pression. Démarrez uniquement le moteur lorsque le tuyau à eau est raccordé et l'arrivée d'eau ouverte.

Insertion et retrait de la buse de pulvérisation

Sélection de la buse de pulvérisation appropriée

Le nettoyeur à pression est livré avec une série de buses à haute pression qui peuvent être raccordées à la lance de pulvérisation.



- 1 **Buse à jet étroit (rouge), angle du jet 0°**
Buse pour éliminer de la saleté tenace du béton et du métal. N'utilisez pas la buse à jet étroit sur le bois ou d'autres surfaces tendres. Le jet d'eau concentré peut endommager la surface. (Non vendue avec RB 400, RB 600)
- 2 **Buse à jet plat (jaune), angle du jet 15°**
Buse pour éliminer de la saleté tenace.
- 3 **Buse à jet plat (verte), angle du jet 25°**
Buse universelle pour le nettoyage de surfaces étendues.

- 4 **Buse à jet plat (blanche), angle du jet 40°**
Buse pour le nettoyage de surfaces sensibles.
- 5 **Buse à basse pression (noire), angle du jet 65°**
Buse à utiliser avec un détergent. Utilisez le connecteur basse pression et le tuyau d'aspiration pour prélever du détergent d'un récipient à détergent. Le détergent est ajouté à l'eau dans la pompe à haute pression.

Insertion de la buse de pulvérisation

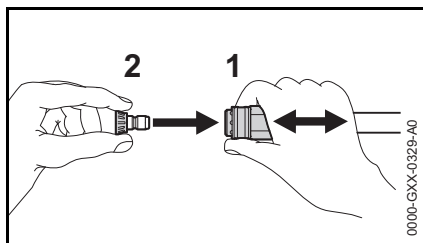
AVERTISSEMENT

Pour réduire le risque de sérieuses lacérations et d'autres blessures provoquées par l'injection de liquide, arrêtez le nettoyeur à pression, dépressurisez le système et verrouillez la gâchette du pistolet de pulvérisation avant de retirer, monter ou régler une buse de pulvérisation ou un accessoire quelconque.

AVERTISSEMENT

Assurez-vous que la buse est solidement fixée dans le coupleur à action rapide. Si la fixation de la buse est incorrecte, elle risque d'être projetée de la lance de pulvérisation pendant le fonctionnement et provoquer des blessures.

- Arrêtez le nettoyeur à pression et enfoncez la gâchette du pistolet pour évacuer la pression dans le système.
- Verrouillez la gâchette du pistolet.
- Retirez complètement le sable et les débris du raccord



- Tirez le manchon d'accouplement (1) aussi loin que possible vers l'arrière et retenez-la dans cette position
- Poussez la buse à haute pression (2) aussi loin que possible dans le coupleur
- Poussez le manchon d'accouplement vers l'avant aussi loin que possible
- Tirez sur la buse à haute pression pour vérifier qu'elle est bien en place

Dépose

- Tirez le manchon d'accouplement (1) aussi loin que possible vers l'arrière et retenez-la dans cette position
- Tirez la buse à haute pression (2) hors du coupleur
- Relâchez le manchon d'accouplement

Démarrage du moteur



Un manque d'eau peut endommager la pompe à haute pression. Démarrez uniquement le moteur lorsque le tuyau à eau est raccordé et l'arrivée d'eau ouverte.

- Raccordez le flexible haute pression
- Raccordez le tuyau d'alimentation en eau et ouvrez l'arrivée d'eau
- Purgez le système

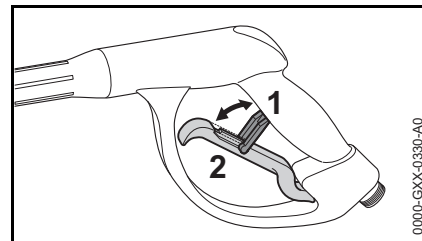
Consultez les sections correspondantes du présent manuel pour le branchement de l'alimentation en eau et la purge du système.

Consultez le manuel d'utilisation Kohler pour les instructions de démarrage complètes.

Utilisation

Actionnement du pistolet de pulvérisation

- Dirigez l'outil de pulvérisation vers la surface à nettoyer



- Libérez le bouton de blocage de la gâchette (1)
- Enfoncez la gâchette du pistolet de pulvérisation (2)

Mode veille

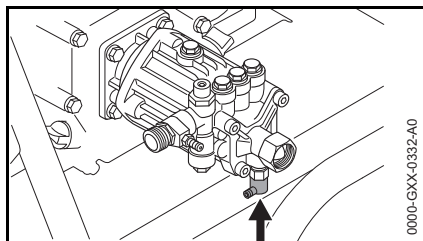
AVIS

Le nettoyeur à pression risque d'être sérieusement endommagé si le moteur tourne pendant plus de 2 minutes sans activer la pulvérisation.

Arrêtez le moteur :

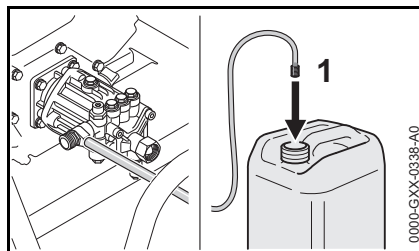
- avant de faire une pause
- si vous laissez l'appareil sans surveillance
- à tout moment lorsque la pulvérisation active sera interrompue pendant plus de 2 minutes

Soupape de décharge thermique



Si le moteur tourne en mode veille sans pulvérisation active, l'eau dans la pompe à haute pression peut chauffer jusqu'à 60 °C (140 °F). La soupape de décharge thermique laisse l'eau s'échapper automatiquement de la pompe à haute pression et permet ainsi à de l'eau fraîche de s'écouler dans le système.

Ajout de détergent



Utilisez le tuyau d'aspiration de détergent pour prélever du détergent d'un récipient séparé. Le détergent est ajouté à l'eau dans la pompe à haute pression.

- Ajoutez le détergent dans un récipient séparé et diluez-le avec de l'eau dans la proportion spécifiée par le fabricant du détergent
- Poussez le corps de captage (1) aussi loin que possible dans le récipient
- Raccordez la buse noire de 65° à la lance de pulvérisation

Le détergent peut uniquement être utilisé avec la buse à basse pression de 65° (noire).

Lorsque vous utilisez la fonction d'aspiration du détergent, utilisez uniquement un tuyau haute pression entre la pompe et le pistolet. L'ajout de tuyaux d'extension peut entraîner une aspiration insuffisante du détergent.

- Lorsque vous appliquez du détergent, commencez par le bas et travaillez vers le haut

Pour des résultats optimaux, ne laissez jamais le détergent sécher sur la surface à nettoyer. Lisez et observez les avertissements et les instructions du fabricant de détergent concernant l'utilisation correcte.

Nettoyage du corps de captage, du tuyau et de l'injecteur

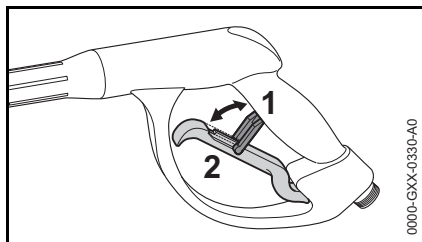
Après chaque utilisation d'un détergent, faites circuler de l'eau propre à travers la pompe afin de nettoyer le tuyau et les autres composants du nettoyeur à pression.

- Immergez le corps de captage dans de l'eau propre sans détergent
- Actionnez le pistolet de pulvérisation pendant 5 secondes environ pour aspirer de l'eau propre à travers le tuyau

Arrêt du moteur

Consultez le manuel d'utilisation Kohler pour les instructions complètes relatives à l'arrêt du moteur.

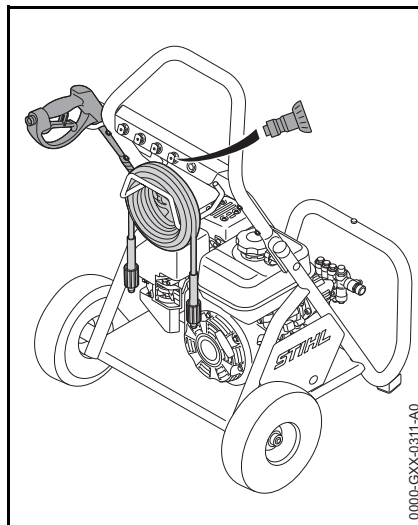
- Arrêtez le moteur
- Fermez l'arrivée d'eau
- Maintenez la gâchette du pistolet enfoncée jusqu'à ce que seules des gouttes d'eau s'écoulent de la buse à haute pression et que le système soit dépressurisé



- Relâchez la gâchette (2) du pistolet et engagez le bouton de blocage de la gâchette (1).

Après avoir terminé le travail

- Débranchez le tuyau à eau
- Débranchez le flexible haute pression



- Enroulez le flexible haute pression et accrochez-le au support
- Retirez la buse à haute pression de la lance de pulvérisation et fixez-la au support intégré sur le cadre
- Placez l'outil de pulvérisation dans le support
- Essuyez le nettoyeur à pression avec un chiffon humide

Rangement

- Entreposez le nettoyeur à pression à l'intérieur dans un local sec



Les températures givrantes peuvent endommager les composants du nettoyeur à pression. Entreposez le nettoyeur à pression à l'intérieur dans un local sec et à l'abri du gel.

Protection contre le gel / protection anticorrosion

Effectuez les opérations suivantes s'il n'est pas possible d'entreposer le nettoyeur à pression dans un local où il est protégé des températures givrantes :

- Évacuez l'eau du tuyau haute pression
- Débranchez la lance de pulvérisation du pistolet de pulvérisation
- Dirigez la lance de pulvérisation vers le bas et attendez que toute l'eau se soit écoulée
- Dirigez le pistolet de pulvérisation vers le bas, enfoncez la gâchette du pistolet et attendez que toute l'eau se soit écoulée
- Raccordez un récipient contenant du liquide d'hivernage soit directement, soit au moyen d'un tuyau d'aspiration, à l'entrée d'eau de la pompe à haute pression

- Lorsque le moteur est arrêté, tirez plusieurs fois sur le câble du démarreur jusqu'à ce que le liquide d'hivernage soit aspiré dans la pompe haute pression et s'écoule par le raccord haute pression
- Recueillez le liquide d'hivernage dans un récipient et l'éliminer sans nuire à l'environnement et conformément aux spécifications du fabricant

Entreposage du nettoyeur à pression pendant 2 mois ou plus

Si le nettoyeur à pression ne sera pas utilisé pendant 2 mois ou plus :

Stabilisation du carburant

- Ajoutez un agent de traitement de carburant de la série Kohler PRO ou un stabilisateur de carburant équivalent dans le réservoir à carburant
- Pour une distribution homogène du stabilisateur de carburant à travers le circuit de carburant, branchez l'alimentation en eau et laissez tourner le moteur pendant 2 à 3 tout en enfonçant la gâchette du pistolet



AVIS

Faire tourner le moteur pendant plus de 2 minutes sans pulvérisation active peut causer de sérieux dommages au nettoyeur haute pression.

Autres travaux de maintenance

Consultez le manuel d'utilisation Kohler pour les informations à propos de l'entreposage du moteur.

Instructions pour la maintenance et l'entretien

Avant d'effectuer une quelconque opération d'inspection, d'entretien, de nettoyage ou autre sur l'appareil, arrêtez le moteur, fermez l'arrivée d'eau et enfoncez la gâchette du pistolet jusqu'à ce que le système soit totalement dépressurisé.

L'information s'applique dans des conditions de fonctionnement normales. Si la durée de travail quotidienne est plus longue, les intervalles spécifiés doivent être raccourcis en conséquence. Si l'appareil est seulement utilisé de manière occasionnelle, les intervalles peuvent être prolongés en conséquence. REMARQUE : Kohler recommande de vidanger l'huile moteur après les 5 premières heures de fonctionnement.		Avant le travail	À la fin du travail et/ou quotidiennement	Chaque semaine ou après 40 heures de fonctionnement	Après les 5 premières heures de fonctionnement	Toutes les 100 heures de fonctionnement ou une fois par an	En cas de dommage	Suivant besoin
Nettoyeur à pression entier	Inspection visuelle (état, fuites)	X						
	Nettoyer		X					X
Huile dans la pompe à haute pression	Remplacer				X ¹⁾	X ¹⁾		
Connecteurs sur le flexible haute pression	Nettoyer		X					X
	Graisser							X
Coupleur sur la lance de pulvérisation et le pistolet de pulvérisation	Nettoyer	X						X
Grille d'admission d'eau à l'entrée de la pompe haute pression	Nettoyer			X				X
	Remplacer						X	
Buse à haute pression	Nettoyer							X
	Remplacer						X	
Ouvertures de ventilation / surfaces de refroidissement / orifices d'admission d'air	Nettoyer	X						X
Injecteur dans la sortie de la pompe à haute pression	Nettoyer							X
Tampon en caoutchouc sur le cadre	Vérifier							X
	Remplacer						X	
Moteur	Maintenance	Lisez et observez toutes les instructions d'entretien et de maintenance figurant dans le manuel du moteur Kohler.						

¹⁾ STIHL recommande de faire effectuer les travaux par un distributeur agréé STIHL

Maintenance

Avant toute opération de maintenance ou de nettoyage :

- Placez le nettoyeur à pression sur une surface plane et propre
- Arrêtez le moteur
- Maintenez la gâchette du pistolet enfoncée jusqu'à ce que seules des gouttes d'eau s'écoulent de la buse à haute pression et que le système soit dépressurisé
- Laissez refroidir le nettoyeur à pression

Travail d'entretien général

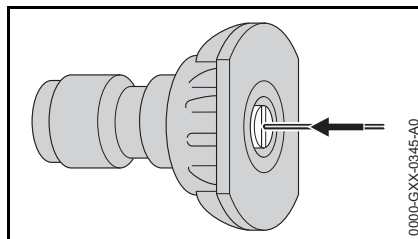
Nettoyage du nettoyeur à pression

Gardez les ouvertures à air de refroidissement et les ailettes du cylindre sur le moteur et la pompe à haute pression propres pour contribuer à éviter toute surchauffe.

- Nettoyez le nettoyeur à pression avec un chiffon humide. Ne nettoyez pas votre appareil avec un nettoyeur à pression. Le jet d'eau compact peut endommager l'appareil ou ses composants.
- Nettoyez les ouvertures à air de refroidissement et les ailettes du cylindre avec un pinceau ou une brosse douce

Nettoyage de la buse à haute pression

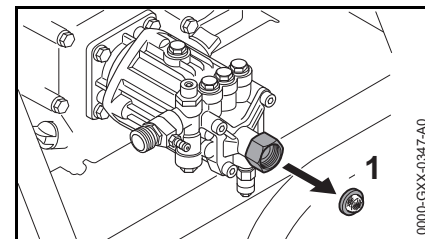
Une buse à haute pression bouchée peut donner lieu à une pression excessive dans la pompe. Nettoyez la buse à haute pression si elle est bouchée.



- Retirez la buse à haute pression
- Nettoyez la buse à haute pression par l'avant avec une aiguille adaptée et rincez à l'eau

Travaux de maintenance sur la pompe à haute pression

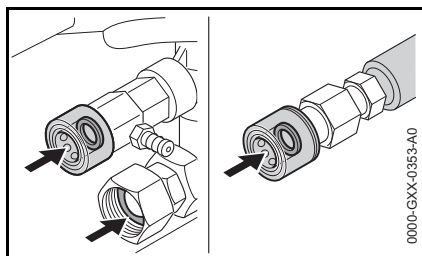
Nettoyage de la grille dans l'entrée d'eau



- Retirez la grille (1) de l'entrée d'eau à l'aide d'un outil non coupant en prenant garde de ne pas perforer la grille
- Nettoyez la grille
- Réinsérez la grille dans l'entrée d'eau et exercez une pression homogène afin qu'elle soit bien en place

Lubrification des raccords

Lubrifiez les joints toriques/joints plats suivants avec une graisse universelle, suivant le besoin :

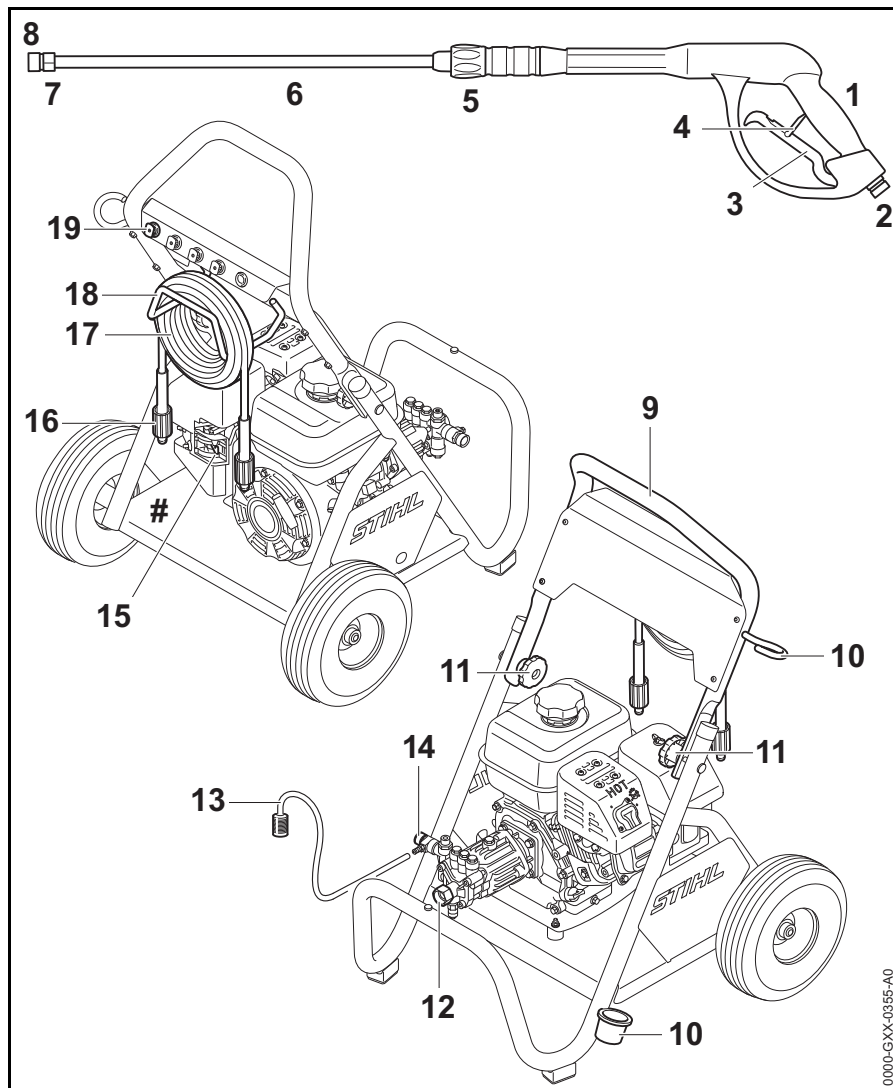


- Joint plat sur la grille dans l'entrée d'eau
- Joint torique dans le manchon d'accouplement à la sortie du connecteur à haute pression
- Joint torique dans le manchon d'accouplement sur le flexible haute pression
- Joint torique dans le coupleur sur la lance de pulvérisation

Travaux de maintenance sur le moteur

Lisez et observez les instructions d'utilisation, d'entretien et de maintenance du moteur dans le manuel d'utilisation Kohler.

Principales pièces



- 1 Pistolet de pulvérisation
- 2 Coupleur pour flexible haute pression
- 3 Gâchette du pistolet de pulvérisation
- 4 Bouton de blocage de la gâchette
- 5 Coupleur pour la lance de pulvérisation
- 6 Lance de pulvérisation
- 7 Coupleur pour buse à haute pression
- 8 Buse à haute pression
- 9 Barre à pousser
- 10 Support pour outil de pulvérisation
- 11 Bouton moleté
- 12 Connecteur d'entrée d'eau avec grille
- 13 Tuyau d'aspiration de détergent
- 14 Connecteur pour flexible haute pression
- 15 Interrupteur Marche/Arrêt¹⁾
- 16 Coupleur avec écrou d'accouplement
- 17 Flexible haute pression
- 18 Support pour flexible haute pression
- 19 Support pour buses à haute pression
- # Plaque signalétique

1) Consultez le manuel d'utilisation Kohler pour des informations supplémentaires concernant le moteur et ses composants.

Définitions

- 1 **Pistolet de pulvérisation**
Commande le jet à haute pression.
- 2 **Coupleur pour flexible haute pression**
Pour raccorder le flexible haute pression au pistolet de pulvérisation.
- 3 **Gâchette du pistolet de pulvérisation**
Ouvre et ferme la vanne dans le pistolet de pulvérisation.
- 4 **Bouton de blocage de la gâchette**
Verrouille la gâchette du pistolet de pulvérisation.
- 5 **Coupleur pour la lance de pulvérisation**
Pour raccorder la lance de pulvérisation au pistolet.
- 6 **Lance de pulvérisation**
Dirige l'eau en provenance du pistolet de pulvérisation vers la buse à haute pression
- 7 **Coupleur pour buse à haute pression**
Pour raccorder la buse haute pression à la lance de pulvérisation.
- 8 **Buse à haute pression**
Crée la forme et l'intensité du jet à haute pression.
- 9 **Barre à pousser**
Pour pousser le nettoyeur à pression.
- 10 **Support pour outil de pulvérisation**
Pour le rangement de l'outil de pulvérisation.

- 11 **Bouton moleté**
Pour libérer et plier la barre à pousser vers le bas.
- 12 **Connecteur d'entrée d'eau avec grille**
Pour raccorder le tuyau à eau à la pompe à haute pression. La grille empêche les impuretés et les débris de pénétrer dans la pompe.
- 13 **Tuyau d'aspiration de détergent**
Pour prélever du détergent depuis un récipient séparé.
- 14 **Connecteur pour flexible haute pression**
Pour raccorder le flexible haute pression à la pompe à haute pression.
- 15 **Interrupteur Marche/Arrêt**
Pour démarrer/arrêter le moteur
- 16 **Coupleur sur le flexible haute pression**
Pour raccorder le flexible haute pression au pistolet de pulvérisation et à la pompe à haute pression.
- 17 **Flexible haute pression**
Transporte l'eau de la pompe à haute pression au pistolet de pulvérisation.
- 18 **Support pour flexible haute pression**
Pour le rangement du flexible haute pression.
- 19 **Support pour buses à haute pression**
Pour le rangement des buses à haute pression.

Caractéristiques techniques

Moteur

Fabricant :	Kohler
Désignation du modèle :	SH 270
Type :	Moteur monocylindre à quatre temps
Carburant :	Essence
Consultez le manuel du moteur pour des spécifications supplémentaires.	

Pompe à haute pression

Pression nominale / admissible :	psi	2700
	MPa	19
	bar	190
Débit d'eau maximum :	gpm	2,7
	l/min	10,2
	l/h	620
Force de rebond maximum	N	33,1

Alimentation en eau

Diamètre du tuyau à eau :	in.	3/4
Longueur maximale du tuyau à eau :	m	15,25
	ft.	50
Quantité minimale :	gpm	3,7
	l/min	14
	l/h	840

Pression minimale :	psi	14,5
	bar	1
Pression maximale :	psi	130
	bar	9
Température d'eau maximale	°F	125
	°C	52

Produits de nettoyage

Rapport de mélange : 1:45 détergent à l'eau

Dimensions

Longueur (approx.) :	in.	28,50
	mm	724
Largeur (approx.) :	in.	27,50
	mm	699
Hauteur en position de fonctionnement (approx.) :	in.	39,50
	mm	1003
Hauteur en position de transport (approx.) :	in.	25,75
	mm	654
Longueur flexible haute pression (approx.) :	ft.	25
	m	7,6
Diamètre flexible haute pression (approx.) :	in.	1/4

Poids

Nettoyeur à pression avec outil de pulvérisation et flexible haute pression (approx.) :	lbs.	90
	kg	41

Dépannage

Pompe à haute pression

Avant d'effectuer une quelconque opération d'inspection, d'entretien, de nettoyage ou autre sur l'appareil, arrêtez le moteur, fermez l'arrivée d'eau et enfoncez la gâchette du pistolet jusqu'à ce que le système soit totalement dépressurisé.

Situation	Cause	Solution
Manque ou insuffisance d'eau en provenance de la buse à haute pression Chute ou fluctuations de la pression	Coude dans le tuyau à eau	Éliminez le coude
	Coude dans le flexible haute pression	Remplacez le flexible haute pression
	Manque d'eau	Ouvrez complètement le robinet à eau Vérifiez le diamètre et la longueur du tuyau d'arrivée
	Vitesse du moteur trop faible	Faites tourner le moteur à plein régime Faites réparer le moteur ¹⁾
	Grille d'admission d'eau obstruée à l'entrée de la pompe haute pression	Nettoyez la grille d'admission d'eau – voir « Maintenance »
	Présence d'air dans le système	Purgez le système en actionnant le pistolet à plusieurs reprises pendant de courts intervalles
	La pompe à haute pression aspire de l'air	Vérifiez tous les raccordements dans l'arrivée d'eau, rétablissez l'étanchéité si nécessaire
	Buse à haute pression bouchée / usée	Nettoyez la buse à haute pression – voir « Maintenance » Remplacez la buse à haute pression
	Vannes usées dans la pompe à haute pression	Faites réparer la pompe à haute pression ¹⁾
	Joints usés dans la pompe à haute pression	Faites réparer la pompe à haute pression ¹⁾
	La pompe à haute pression est gelée	Dégelez la pompe à haute pression
	Température de l'eau trop élevée	Maintenez la température de l'eau dans les limites admissibles – voir « Spécifications »

¹⁾ STIHL recommande de faire effectuer les travaux par un distributeur agréé STIHL

Avant d'effectuer une quelconque opération d'inspection, d'entretien, de nettoyage ou autre sur l'appareil, arrêtez le moteur, fermez l'arrivée d'eau et enfoncez la gâchette du pistolet jusqu'à ce que le système soit totalement dépressurisé.

Situation	Cause	Solution
De l'eau s'écoule de la soupape de décharge thermique	Température de l'eau trop élevée	Ne faites pas fonctionner le nettoyeur à pression pendant plus de 2 minutes sans pulvérisation active
	Fuite au niveau de la soupape de décharge thermique	Faites réparer la soupape de décharge thermique ¹⁾
Écoulement d'huile de la pompe à haute pression	La pompe à haute pression présente une fuite	Faites réparer la pompe à haute pression ¹⁾
Pas d'alimentation en détergents	Le réservoir à détergent est vide	Remplissez le réservoir à détergent
	Le tuyau d'aspiration ou le filtre d'entrée d'aspiration est bouché	Éliminez le bouchon
	Injecteur encrassé ou bouché	Nettoyez l'injecteur – voir « Maintenance »
	Buse à détergent / buse à basse pression non insérée / bouchée	Insérez / nettoyez la buse à détergent / la buse à basse pression

Moteur


Avant d'effectuer une quelconque opération d'inspection, d'entretien, de nettoyage ou autre sur l'appareil, arrêtez le moteur, fermez l'arrivée d'eau et enfoncez la gâchette du pistolet jusqu'à ce que le système soit totalement dépressurisé.

Situation	Cause	Solution
Le moteur ne démarre pas	La pompe à haute pression est gelée	Dégelez la pompe à haute pression
	La pompe à haute pression est bloquée	Faites réparer la pompe à haute pression ¹⁾
	Lisez et observez les instructions d'utilisation, d'entretien et de maintenance du moteur dans le manuel du moteur Kohler.	
Le moteur ne démarre pas, tourne difficilement ou s'arrête immédiatement sans cesse	Lisez et observez les instructions d'utilisation, d'entretien et de maintenance du moteur dans le manuel du moteur Kohler.	
Consommation de carburant élevée	Lisez et observez les instructions d'utilisation, d'entretien et de maintenance du moteur dans le manuel du moteur Kohler.	

¹⁾)STIHL recommande un distributeur agréé STIHL

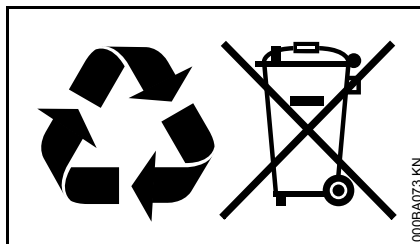
Instructions pour les réparations

Il convient que les utilisateurs de cet appareil effectuent uniquement les opérations de maintenance et d'entretien décrites dans le présent manuel. STIHL recommande de faire effectuer les autres réparations par des distributeurs agréés STIHL qui utilisent des pièces de rechange STIHL authentiques.

Les pièces STIHL originales peuvent être identifiées par le numéro de référence STIHL, le logo **STIHL**® et par le symbole des pièces STIHL  (le symbole peut figurer seul sur les pièces de petite taille).

Mise au rebut

Pour l'élimination des déchets, respecter les prescriptions nationales spécifiques.



Les produits STIHL ne doivent pas être jetés à la poubelle. Le produit STIHL, la batterie, les accessoires et leur emballage doivent être mis au recyclage.

Consulter le revendeur spécialisé STIHL pour obtenir les informations d'actualité concernant l'élimination écocpatible des déchets.

0458-691-8221-B

CDN



www.stihl.com



0458-691-8221-B