

STIHL

STIHL FSB-KM

Instruction Manual



Contents

KombiSystem	2
Guide to Using this Manual	2
Safety Precautions and Working Techniques	2
Approved KombiEngines	7
Approved Combinations of Cutting Attachment, Deflector, Handle and Harness	8
Mounting the KombiTool	9
Mounting the Deflector	9
Mounting the Cutting Attachment	10
Fitting the Harness	13
Starting / Stopping the Engine	14
Storing the Machine	14
Maintaining the Mowing Head	15
Maintenance and Care	16
Minimize Wear and Avoid Damage	16
Main Parts	17
Specifications	17
Maintenance and Repairs	18
Disposal	18
EC Declaration of Conformity	19

STIHL

FSB-KM

Dear Customer,

Thank you for choosing a quality engineered STIHL product.

It has been built using modern production techniques and comprehensive quality assurance. Every effort has been made to ensure your satisfaction and trouble-free use of the product.

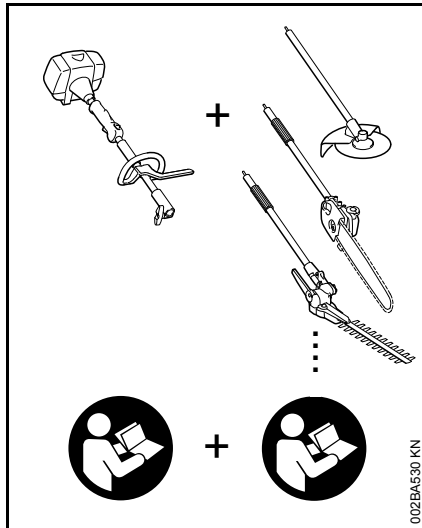
Please contact your dealer or our sales company if you have any queries concerning this product.

Your



Dr. Nikolas Stihl

KombiSystem



In the STIHL KombiSystem a number of different KombiEngines and KombiTools can be combined to produce a power tool. In this instruction manual the functional unit formed by the KombiEngine **and** KombiTool is referred to as the power tool.

Therefore, the separate instruction manuals for the KombiEngine and KombiTool should be used together for the power tool.

Always read and and make sure you understand **both** instruction manuals before using your power tool for the first time and keep them in a safe place for future reference.

Guide to Using this Manual

Pictograms

All the pictograms attached to the machine are shown and explained in this manual.

Symbols in text



WARNING

Warning where there is a risk of an accident or personal injury or serious damage to property.



NOTICE

Caution where there is a risk of damaging the machine or its individual components.

Engineering improvements

STIHL's philosophy is to continually improve all of its products. For this reason we may modify the design, engineering and appearance of our products periodically.

Therefore, some changes, modifications and improvements may not be covered in this manual.

Safety Precautions and Working Techniques



Some special safety precautions must be observed to reduce the risk of personal injury when operating this power tool because of the very high speed of its cutting attachment.



Always read and and make sure you understand both instruction manuals (KombiEngine and KombiTool) before using your power tool for the first time and keep them in a safe place for future reference. Non-observance of the safety precautions may result in serious or even fatal injury.

Lend or rent your power tool only to persons who are familiar with this model and its operation – do not lend or rent your power tool without the KombiEngine and KombiTool instruction manuals.

Depending on the cutting attachment fitted, use your trimmer only for cutting grass, wild growth and similar materials.

Do not use your power tool for any other purpose because of the **increased risk of accidents**.

Only use cutting attachments and accessories that are explicitly approved for this power tool model by STIHL or

are technically identical. If you have any questions in this respect, consult a servicing dealer.

Use only high quality tools and accessories in order to avoid the risk of accidents and damage to the machine.

STIHL recommends the use of genuine STIHL tools and accessories. They are specifically designed to match the product and meet your performance requirements.

The deflector on this power tool cannot protect the operator from all objects thrown by the cutting attachment (stones, glass, wire, etc.). Such objects may ricochet and then hit the operator.

Never attempt to modify your machine in any way since this may increase the risk of personal injury. STIHL excludes all liability for personal injury and damage to property caused while using unauthorized attachments.

Do not use a pressure washer to clean the unit. The solid jet of water may damage parts of the unit.

Clothing and Equipment

Wear proper protective clothing and equipment.



Clothing must be sturdy but allow complete freedom of movement. Wear snug-fitting clothing, an overall and jacket combination, do not wear a work coat.

Avoid clothing that could get caught on branches or brush or moving parts of the machine. Do not wear a scarf, necktie or jewelry. Tie up and confine long hair (e.g. with a hair net, cap, hard hat, etc.).



Wear sturdy shoes with non-slip soles.



WARNING



To reduce the risk of eye injuries, wear snug-fitting safety glasses in accordance with European Standard EN 166. Make sure the safety glasses are a good fit.

Wear a face shield and make sure it is a good fit. A face shield alone does not provide adequate eye protection.

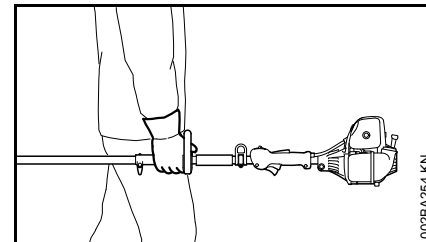
Wear hearing protection, e.g. earplugs or ear muffs.



Wear heavy-duty work gloves made of durable material (e.g. leather).

STIHL offers a comprehensive range of personal protective clothing and equipment.

Transporting the Power Tool



Always turn off the engine.

Carry the unit properly balanced by the drive tube or loop handle.

Transporting by vehicle: Properly secure your power tool to prevent turnover, fuel spillage and damage.

Before Starting

Check that your power tool is properly assembled and in good condition – refer to appropriate chapters in the KombiEngine and KombiTool instruction manuals.

- Use only an approved combination of cutting attachment, deflector, handle and harness. All parts must be assembled properly and securely.
- Check cutting attachment for correct and secure assembly and good condition.
- Check protective devices (e.g. deflector for cutting attachment) for damage or wear. Always replace damaged parts. Never operate the unit with a damaged deflector.

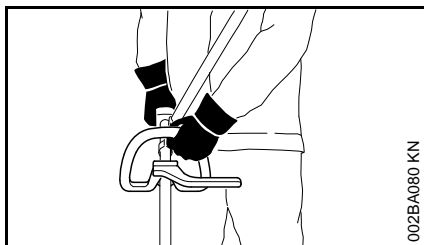
- Never attempt to modify the controls or safety devices in any way.
- Keep the handles dry and clean – free from oil and dirt – for safe control of the power tool.
- Adjust harness and handle to suit your height and reach. See chapter on "Fitting the Harness".

To reduce the risk of accidents, do not operate your power tool if it is damaged or not properly assembled.

If you use a shoulder strap or full harness: Practice removing and putting down the machine as you would in an emergency. To avoid damage, do not throw the machine to the ground when practicing.

See also notes on "Before Starting" in the instruction manual of the KombiEngine you are using.

Holding and Controlling the Power Tool



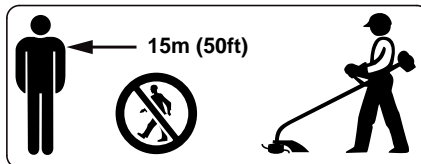
Always hold the power tool firmly with both hands on the handles.

On units with a loop handle and barrier bar, left hand on loop handle, right hand on control handle, even if you are left-handed.

Make sure you always have good balance and secure footing.

During Operation

In the event of impending danger or in an emergency, switch off the engine immediately by moving the slide control / stop switch/button to **0** or **STOP**.



The cutting attachment may catch and fling objects a great distance and cause injury - therefore, do not allow any other persons within a radius of 15 meters of your own position. **To reduce the risk of damage to property**, also maintain this distance from other objects (vehicles, windows). Even maintaining a distance of 15 meters or more cannot exclude the potential danger.

The correct engine idle speed is important to ensure that the cutting attachment stops rotating when you let go of the throttle trigger. Check and correct the idle speed setting regularly. If the attachment still rotates when the engine is idling, have your dealer check your machine and make proper adjustments or repairs – see KombiEngine instruction manual.

Take special care in slippery conditions (ice, wet ground, snow), on slopes or uneven ground.

Watch out for obstacles: Roots and tree stumps which **could cause you to trip or stumble**.

Make sure you always have good balance and secure footing.

Never operate your power tool with one hand.

Be particularly alert and cautious when wearing hearing protection because your ability to hear warnings (shouts, alarms, etc.) is restricted.

To reduce the risk of accidents, take a break in good time to avoid tiredness or exhaustion.

Work calmly and carefully – in daylight conditions and only when visibility is good. Stay alert so as not to endanger others.

If your power tool is subjected to unusually high loads for which it was not designed (e.g. heavy impact or a fall), always check that it is in good condition before continuing work – see also "Before Starting". Make sure the safety devices are working properly. Do not continue operating your power tool if it is damaged. In case of doubt, consult your servicing dealer.



Deflector may be used with mowing heads. Do not use metal cutting attachments – **risk of injury**.



To reduce the risk of injury from thrown objects, never operate the unit without the proper deflector for the type of cutting attachment being used.



Inspect the work area: Stones, pieces of metal or other solid objects may be thrown more than 15 meters and **cause personal injury** or damage the cutting attachment and property (e.g. parked vehicles, windows).

Special care must be taken when working in difficult, over-grown terrain.

When cutting high scrub, under bushes and hedges: Keep cutting attachment at a minimum height of 15 cm to avoid harming small animals.

Check the cutting attachment at regular short intervals during operation or immediately if there is a noticeable change in cutting behavior:

- Turn off the engine. Hold the unit firmly and press the cutting attachment into the ground to bring it to a standstill.
- Check condition and tightness, look for cracks.
- Replace damaged cutting attachments immediately, even if they have only superficial cracks.

Clean grass and plant residue off the cutting attachment mounting at regular intervals – remove any build up of material from the cutting attachment and deflector.

To reduce the risk of injury, shut off the engine before changing the cutting attachment.

After finishing work or before leaving the unit unattended: Shut off the engine.

Never continue using or attempt to repair damaged or cracked cutting attachments.

This may cause parts of the cutting attachment to come off and hit the operator or bystanders at high speed and **result in serious or fatal injuries**.

Use only the deflector with properly mounted line limiting blade to ensure the mowing lines are automatically trimmed to the approved length.

To reduce the risk of injury, always turn off the engine before adjusting the nylon line of manually adjustable mowing heads

Using the unit with over-long nylon cutting lines reduces the motor's operating speed. The clutch then slips continuously and this causes overheating and damage to important components (e.g. clutch, polymer housing components) – **and this can increase the risk of injury** from the cutting attachment rotating while the engine is idling.

Maintenance and Repairs

Service the machine regularly. Do not attempt any maintenance or repair work not described in the KombiTool and KombiEngine instruction manuals. Have all other work performed by a servicing dealer.

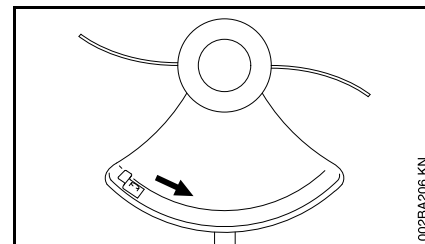
STIHL recommends that you have servicing and repair work carried out exclusively by an authorized STIHL servicing dealer. STIHL dealers are regularly given the opportunity to attend training courses and are supplied with the necessary technical information.

Only use high-quality replacement parts in order to avoid the risk of accidents and damage to the machine. If you have any questions in this respect, consult a servicing dealer.

STIHL recommends the use of genuine STIHL replacement parts. They are specifically designed to match your model and meet your performance requirements.

To reduce the risk of injury, **always shut off the engine** before carrying out any maintenance or repairs or cleaning the machine.

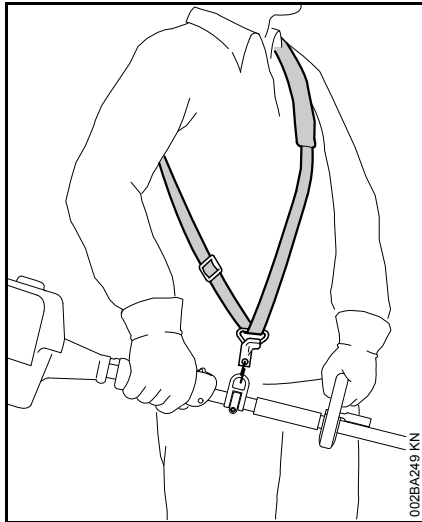
Symbols on Deflectors



An arrow on the deflector (inside and outside) shows the correct direction of rotation of the cutting attachments.

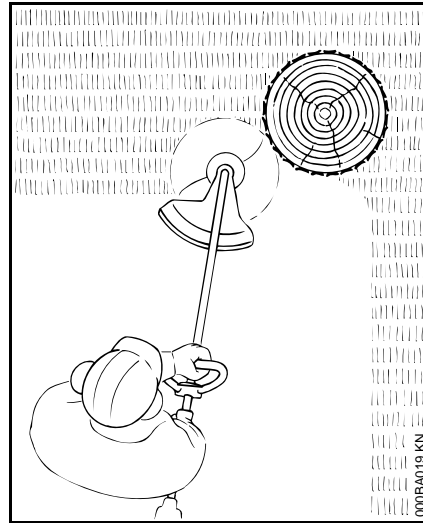
Shoulder strap

The power tool may be used without a shoulder strap. Shoulder strap and carrying ring are special accessories.



- With the engine running, attach the machine to the shoulder strap.

Mowing Head with Nylon Lines

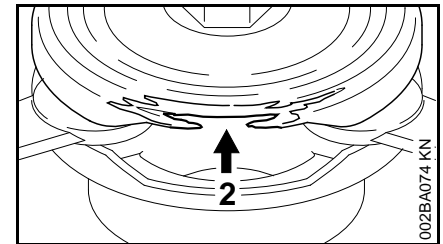
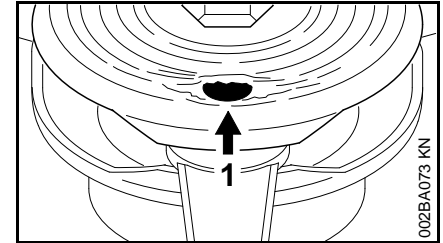


Nylon line achieves a soft cut for edging and trimming around fence posts, trees, etc. – less risk of damaging tree bark.

WARNING

To reduce the **risk of injury**, **never** use steel wire in place of the nylon cutting line.

STIHL PolyCut 6-3 Mowing Head with Polymer Blades



For mowing unobstructed edges of meadows (without posts, fences, trees or similar obstacles).

It is important to follow the maintenance instructions for the Polycut mowing head.

Check the wear limit marks!

Wear limit marks are integrated in the base of the Polycut.

Do not continue using the PolyCut 6-3 if one of the circular holes (1; arrow) becomes visible or if the projecting rim (2; arrow) has worn away. Install a new mowing head.


WARNING

If the wear limit marks are ignored, there is a risk of the cutting tool shattering and flying parts injuring the operator or bystanders.

To reduce the risk of accidents from shattered blades, avoid contact with stones, metal and similar solid objects.

Check PolyCut blades for cracks at regular intervals. If a crack is found in one of the blades, always replace **all** the blades.

Approved KombiEngines

KombiEngines

Only KombiEngines supplied by STIHL or expressly approved by STIHL for use with the specific model are authorized.

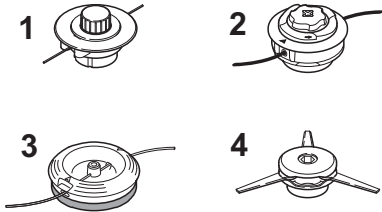
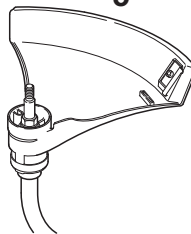
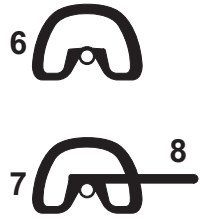

Depending on the cutting attachment used, always observe the chapter "Permissible combinations of cutting attachment, deflector, grip and harness".

Only use this KombiTool with the following KombiEngines:

STIHL KM 55 R, KM 56 R, KM 85 R¹⁾,
KM 94 R

¹⁾ Only outside EU

Approved Combinations of Cutting Attachment, Deflector, Handle and Harness

Cutting attachment	Deflector	Handle	Carrying strap
			

D000-GXX-3935-A1

Permissible combinations

Choose the proper combination from the table depending on the cutting attachment.

! WARNING

For safety reasons, other combinations are not permissible – risk of accident!
Risk of accidents!

Cutting attachments

Mowing heads

- 1 STIHL AutoCut 5-2
- 2 STIHL AutoCut C 6-2
- 3 STIHL DuroCut 5-2
- 4 STIHL PolyCut 6-3

Deflector

- 5 Guard with blade for mowing heads

8

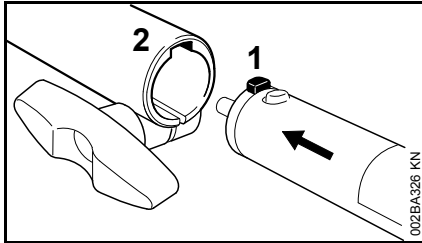
Handle

- 6 Loop handle
- 7 Loop handle **with**
- 8 Clip (barrier bar)

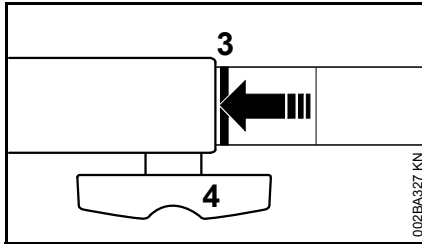
Carrying strap

- 9 Shoulder strap can be used

Mounting the KombiTool



- Push the lug (1) on the drive tube into the slot (2) in the coupling sleeve as far as stop.



When correctly installed, the red line (3) (arrow point) must be flush with the end of the coupling sleeve.

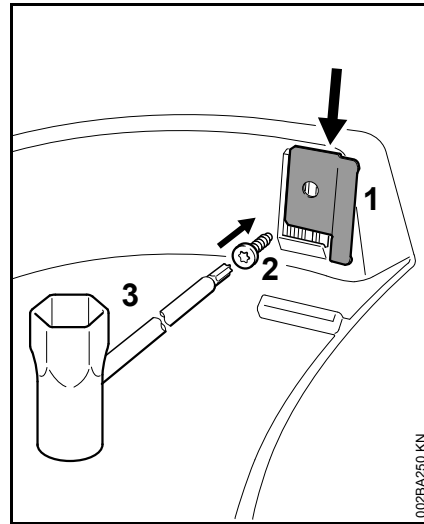
- Tighten down the star knob (4) **firmly**.

Removing the KombiTool

- Reverse the above sequence to remove the drive tube.

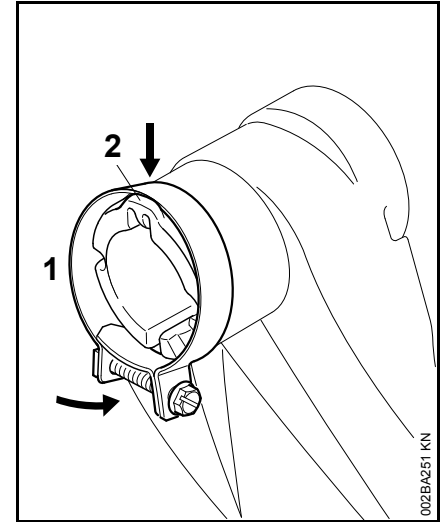
Mounting the Deflector

Fitting the line limiter blade

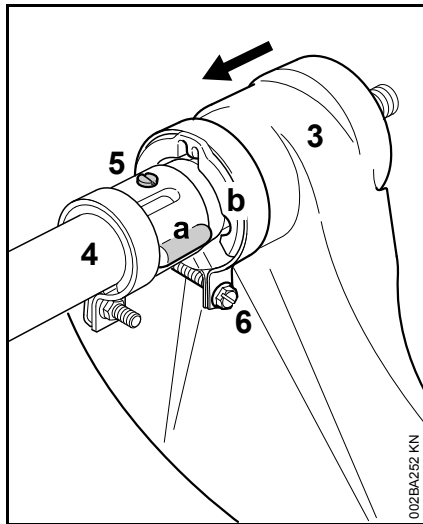


- Slide the blade (1) into the deflector's guide.
- Insert and tighten down the screw (2) with the combination wrench (3) – supplied with KombiEngine or available as special accessory.

Mounting the deflector



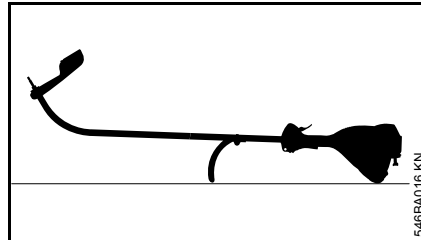
- Push the clamp (1) over the lug (2) on the deflector and hold it there.
- Push the other side of the clamp (1) over the deflector.



- Slide the deflector (3) onto the drive tube (4) so that the bead (a) on the drive tube engages the guide (b) in the deflector.
- Push the deflector (3) into position until the set screw (5) engages.
- Tighten down the clamp screw (6) firmly.

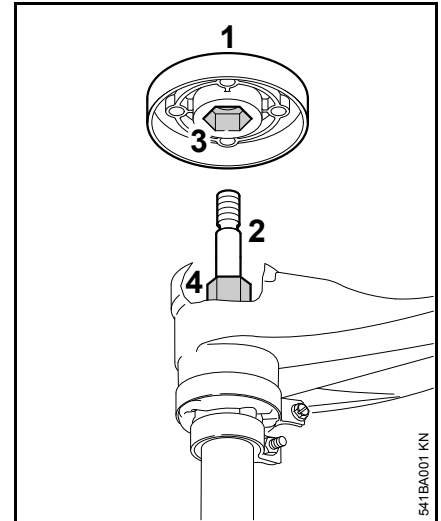
Mounting the Cutting Attachment

Placing power tool on the ground



- Switch off the engine.
- Lay your trimmer on its back with the loop handle and shroud pointing down and the output shaft facing up.

Thrust plate



The thrust plate is supplied with the DuroCut 5-2 and the PolyCut 6-3. It is only required when using these mowing heads.

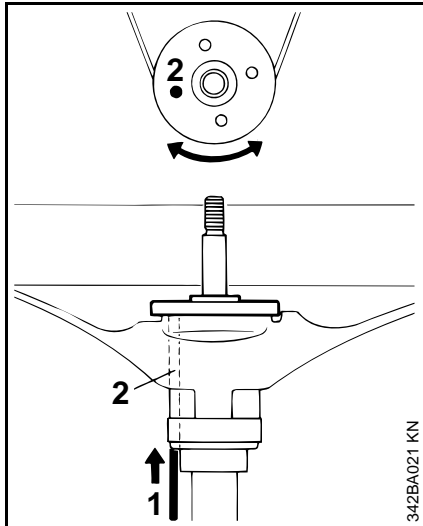
Mowing head STIHL AutoCut 5-2, mowing head STIHL AutoCut C 6-2

- Remove thrust plate (1), if present, from shaft (2)

Mowing head STIHL DuroCut 5-2, mowing head STIHL PolyCut 6-3

- Push the thrust plate (1) onto the shaft (2) by inserting the internal hexagon (3) onto the hexagon (4)

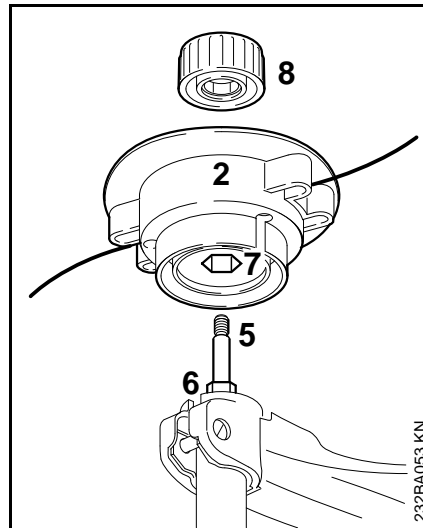
Blocking the shaft



- To block the shaft, push tool (1) into the holes (2) in the protector and the thrust plate. To do so, rotate the shaft until the shaft is blocked

STIHL AutoCut 5-2

Keep the supplement sheet for the mowing head in a safe place.



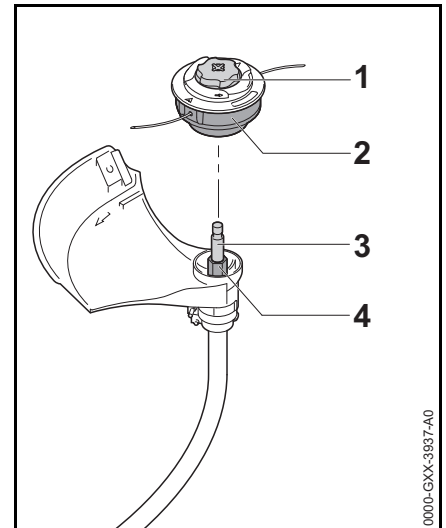
- Push the upper part (2) onto the shaft (5), while inserting the internal hexagon (7) onto the hexagon (6)
- Place the cap (8) on the upper part
- Hold the upper part (2) by hand
- Turn cap (8) clockwise and tighten by hand

Removing the mowing head

- Hold the mowing head by hand
- Turn the cap counterclockwise until the cap can be removed
- Remove mowing head

STIHL AutoCut C 6-2

Keep the supplement sheet for the mowing head in a safe place.



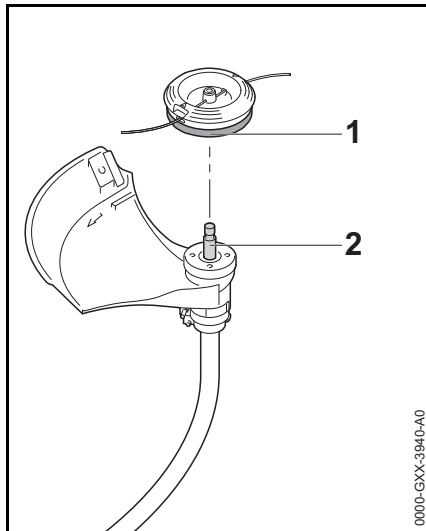
- Place the mowing head (2) on the shaft (3), while inserting the internal hexagon (2) on the hexagon (4)
- Hold the mowing head (2) by hand
- Turn cap (1) clockwise and tighten by hand.

Removing the mowing head

- Hold the mowing head by hand
- Rotate the cap counterclockwise until the mowing head can be removed
- Removing the mowing head

Adding STIHL DuroCut 5-2

Keep the supplement sheet for the mowing head in a safe place.



- Turn the mowing head (1) clockwise until it engages the shaft (2)
- Block the shaft, see "Blocking the shaft"
- Tighten the mowing head (1)



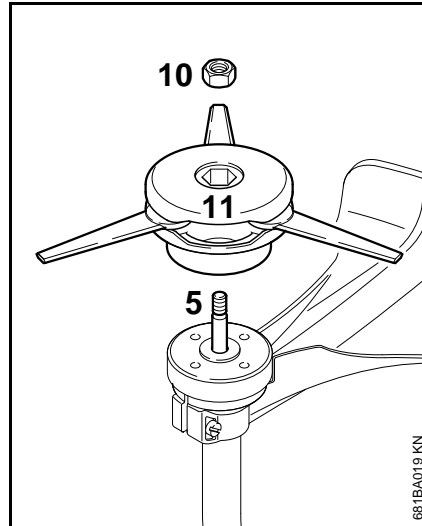
NOTICE

Remove the tool again used to block the shaft.

Removing the mowing head

- Block the shaft, see "Blocking the shaft"
- Turn the mowing head counterclockwise

STIHL PolyCut 6-3



- Push thrust plate onto the shaft
- Insert the nut (10) into the mowing head
- Turn the mowing head (11) clockwise until it engages the shaft (5)
- Block the shaft
- Tighten the mowing head



Nuts that move too easily must be replaced.



NOTICE

Remove the tool again used to block the shaft.

Removing the mowing head

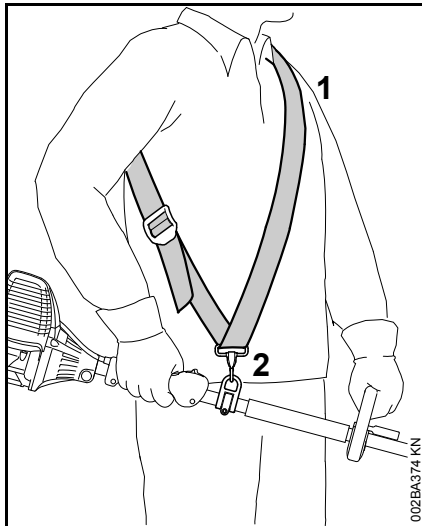
- Block the shaft, see "Blocking the shaft"
- Turn the mowing head counterclockwise

Fitting the Harness

The type and style of the harness, carrying ring and carabiner (spring hook) depend on the market.

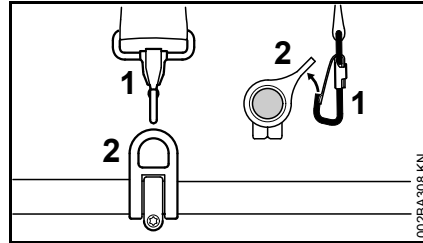
The use of the harness is described in the chapter on "Approved Combinations of Cutting Attachment, Deflector, Handle and Harness".

Shoulder strap



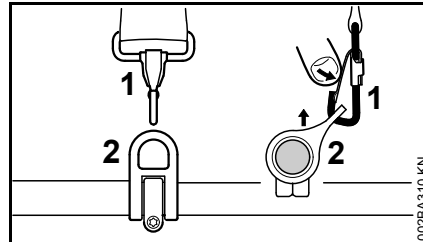
- Put on the shoulder strap (1).
- Adjust the length of the strap so that the carabiner (2) is about a hand's width below your right hip.

Attaching Machine to Harness



- Attach the carabiner (1) to the carrying ring (2) on the drive tube – hold the carrying ring steady.

Detaching Machine from Harness



- Press down the bar on the carabiner (1) and pull the carrying ring (2) out of the carabiner.

Throwing Off the Machine

WARNING

The machine must be quickly thrown off in the event of imminent danger. Practice removing and putting down the power tool as you would in an emergency. To avoid damage, do not throw the power tool to the ground when practicing.

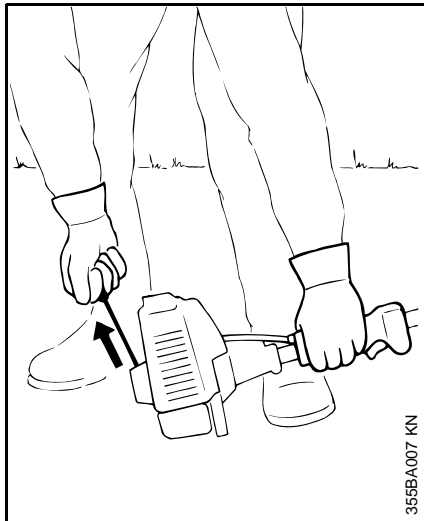
Practice quickly detaching the power tool from the carabiner as described under "Detaching Machine from Harness".

Practice slipping the strap off your shoulder.

Starting / Stopping the Engine

Starting the Engine

Always follow the operating instructions for the KombiEngine and basic power tool.



- Place the machine on the ground – it must rest securely on the machine support and the gearbox.

To reduce the risk of accidents, check that the cutting attachment is not touching the ground of any other obstacles.

- Make sure you have a firm footing, either standing, stooping or kneeling.
- Hold the machine with you left hand and press it down **firmly** – do not touch the controls on the control handle – see KombiEngine or basic power tool instruction manual.

NOTICE

Do not stand or kneel on the drive tube.

WARNING

The cutting attachment may begin to move as soon as the engine starts. For this reason, blip the throttle after starting – the engine returns to idling speed.

The starting procedure is now as described in the instruction manual of the KombiEngine or basic power tool you are using.

Stopping the Engine

- See KombiEngine or basic power tool instruction manual.

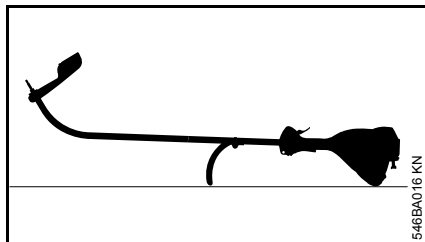
Storing the Machine

For periods of 3 months or longer

- Remove, clean and inspect the cutting attachment.
- If the KombiTool is removed from the KombiEngine and stored separately: Fit the protective cap on the drive tube to avoid dirt getting into the coupling.
- Store the machine in a dry, high or locked location – out of the reach of children and other unauthorized persons.

Maintaining the Mowing Head

Placing power tool on the ground



- Switch off the engine.
- Lay your trimmer on its back with the loop handle and shroud pointing down and the output shaft facing up.

Replacing Nylon Line

Always check the mowing head for signs of wear before replacing the nylon line.

! WARNING

If there are signs of serious wear, replace the complete mowing head.

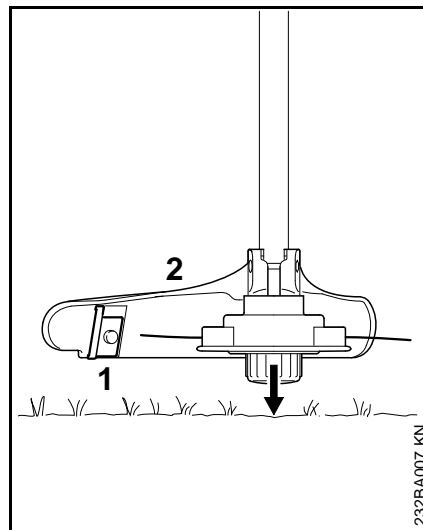
The nylon mowing line is referred to as "nylon line" or "line" in the following.

The mowing head is supplied with illustrated instructions for replacing the nylon line. Keep the instructions for the mowing head in a safe place.

- If necessary, remove the mowing head.

Adjusting Nylon Line

STIHL AutoCut



- Hold the rotating mowing head above the ground – tap it on the ground once – about 3 cm (1.2 in) of fresh line is advanced.
- The blade (1) on the deflector (2) trims surplus line to the correct length – avoid tapping the mowing head more than once at a time.

Line feed operates only if **both** lines still have a minimum length of **2.5 cm (1 in)**.

If the line is shorter than 2.5 cm (1 in):

! WARNING

To reduce the risk of injury, always shut off the engine before adjusting the nylon mowing line by hand.

- Turn the machine over.
- Press down the cap on the spool as far as stop.
- Pull the ends of the lines out of the spool.

If the spool is empty, refill with nylon line.

All other mowing heads

Refer to the leaflet supplied with the mowing head.

! WARNING

To reduce the risk of injury, always shut off the engine before adjusting the nylon mowing line by hand.

Replacing Nylon Line

STIHL DuroCut

! WARNING

To reduce the risk of injury, always shut off the engine before refilling the mowing head.

- Fit nylon line in the mowing head as described in the instructions supplied.

Replacing Cutting Blades

STIHL PolyCut

Always check the mowing head for signs of wear before installing new cutting blades.

WARNING

If there are signs of serious wear, replace the complete mowing head.

The thermoplastic cutting blades are referred to as "blades" in the following.

The mowing head is supplied with illustrated instructions for replacing the blades. Keep the instructions for the mowing head in a safe place.

WARNING

To reduce the risk of injury, always shut off the engine before installing the blades.

- Remove the mowing head.
- Replace blades as shown in the illustrated instructions.
- Mount the mowing head on the machine.

Maintenance and Care

The following intervals apply to normal operating conditions only. If your daily working time is longer or operating conditions are difficult (very dusty work area, etc.), shorten the specified intervals accordingly.

All accessible screws and nuts

- Retighten if necessary

Cutting attachments

- Check condition, check tightness before starting work and after every fueling stop
- Replace if damaged

Safety labels

- Replace illegible safety labels

Minimize Wear and Avoid Damage

Observing the instructions in this manual and the KombiEngine manual helps reduce the risk of unnecessary wear and damage to the power tool.

The power tool must be operated, maintained and stored with the due care and attention described in these instruction manuals.

The user is responsible for all damage caused by non-observance of the safety precautions, operating and maintenance instructions. This includes in particular:

- Alterations or modifications to the product not approved by STIHL.
- Using tools or accessories which are neither approved or suitable for the product or are of a poor quality.
- Using the product for purposes for which it was not designed.
- Using the product for sports or competitive events.
- Consequential damage caused by continuing to use the product with defective components.

Maintenance Work

All the operations described in the chapter on "Maintenance and Care" must be performed on a regular basis. If these maintenance operations cannot be performed by the owner, they should be performed by a servicing dealer.

STIHL recommends that you have servicing and repair work carried out exclusively by an authorized STIHL

servicing dealer. STIHL dealers are regularly given the opportunity to attend training courses and are supplied with the necessary technical information.

If these maintenance operations are not carried out as specified, the user assumes responsibility for any damage that may occur. Among other parts, this includes:

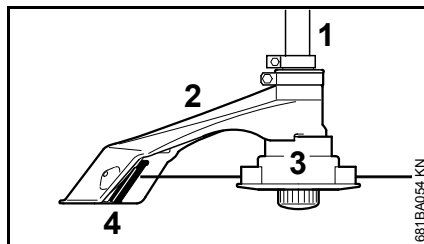
- Corrosion and other consequential damage resulting from improper storage.
- Damage to the product resulting from the use of poor quality replacement parts.

Parts Subject to Wear and Tear

Some parts of the power tool are subject to normal wear and tear even during regular operation in accordance with instructions and, depending on the type and duration of use, have to be replaced in good time. Among other parts, this includes:

- Cutting attachments (all types)
- Mounting hardware for cutting attachments
- Deflectors for cutting attachments

Main Parts



- 1 Drive tube
- 2 Deflector
- 3 Mowing head
- 4 Line limiting blade

Specifications

Speed

Max. output shaft speed on cutting attachment with KombiEngine:

KM 55 R:	10,400 rpm
KM 56 R:	10,600 rpm
KM 85 R:	11,000 rpm
KM 94 R:	10,200 rpm

Weight

without cutting attachment
and deflector: 0.7 kg

Noise and Vibration Data

Noise and vibration data measurements on power tools with the FSB-KM KombiTool include idling and rated maximum speed with the same duration of exposure.

For further details on compliance with Vibration Directive 2002/44/EC visit www.stihl.com/vib.

Sound pressure level L_p to ISO 22868

with mowing head

KM 55 R with loop handle:	94 dB(A)
KM 56 R with loop handle:	95 dB(A)
KM 85 R with loop handle:	96 dB(A)
KM 94 R with loop handle:	91 dB(A)

Sound power level L_w to ISO 22868

with mowing head

KM 55 R with loop handle: 109 dB(A)

KM 56 R with loop handle: 109 dB(A)

KM 85 R with loop handle: 112 dB(A)

KM 94 R with loop handle: 109 dB(A)

Vibration level $a_{hv,eq}$ to ISO 22867

with mowing head	Handle, left	Handle, right
KM 55 R with loop handle:	8.9 m/s ²	8.0 m/s ²
KM 56 R with loop handle:	6.7 m/s ²	7.0 m/s ²
KM 85 R with loop handle:	7.3 m/s ²	7.5 m/s ²
KM 94 R with loop handle:	7.2 m/s ²	6.4 m/s ²

The K-factor in accordance with Directive 2006/42/EC is 2.0 dB(A) for the sound pressure level and sound power level; the K-factor in accordance with Directive 2006/42/EC is 2.0 m/s² for the vibration level.

REACH

REACH is an EC regulation and stands for the Registration, Evaluation, Authorisation and Restriction of Chemical substances.

For information on compliance with the REACH regulation (EC) No. 1907/2006 see www.stihl.com/reach.


Maintenance and Repairs

Users of this machine may only carry out the maintenance and service work described in this user manual. All other repairs must be carried out by a servicing dealer.

STIHL recommends that you have servicing and repair work carried out exclusively by an authorized STIHL servicing dealer. STIHL dealers are regularly given the opportunity to attend training courses and are supplied with the necessary technical information.

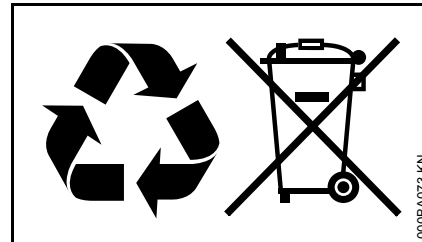
When repairing the machine, only use replacement parts which have been approved by STIHL for this power tool or are technically identical. Only use high-quality replacement parts in order to avoid the risk of accidents and damage to the machine.

STIHL recommends the use of original STIHL replacement parts.

Original STIHL parts can be identified by the STIHL part number, the **STIHL** logo and the STIHL parts symbol  (the symbol may appear alone on small parts).

Disposal

Observe all country-specific waste disposal rules and regulations.



STIHL products must not be thrown in the garbage can. Take the product, accessories and packaging to an approved disposal site for environment-friendly recycling.

Contact your STIHL servicing dealer for the latest information on waste disposal.

EC Declaration of Conformity

ANDREAS STIHL AG & Co. KG
Badstr. 115
D-71336 Waiblingen

Germany

declare in exclusive responsibility that

Category: Brushcutter
 KombiTool

Make: STIHL

Model: FSB-KM

Serial identification: 4137

conforms to the relevant provisions of Directives 2006/42/EC and 2000/14/EC and has been developed and manufactured in compliance with the following standards in the versions valid on the date of production:

EN ISO 12100, EN ISO 11806-1 (in conjunction with the specified KM models).

The measured and guaranteed sound power levels were determined according to Directive 2000/14/EC, Annex V, using the ISO 10884 standard.

Measured sound power level

with KM 55 R: 109 dB(A)

with KM 56 R: 109 dB(A)

with KM 85 R: 112 dB(A)

with KM 94 R: 109 dB(A)

Guaranteed sound power level

with KM 55 R: 111 dB(A)

with KM 56 R: 111 dB(A)

with KM 85 R: 114 dB(A)

with KM 94 R: 111 dB(A)

FSB-KM

Technical documents deposited at:

ANDREAS STIHL AG & Co. KG
Produktzulassung (Product Licensing)

The year of manufacture is applied to the power tool.

Done at Waiblingen, 01.08.2017

ANDREAS STIHL AG & Co. KG



Thomas Elsner

Director Product Management and Services



0458-541-0121-B

englisch



www.stihl.com



0458-541-0121-B