

STIHL

STIHL BG 50

Instruction Manual



Contents

Guide to Using this Manual	2
Safety Precautions and Working Techniques	2
Assembling the Blower	7
Fuel	8
Fueling	9
Starting / Stopping the Engine	9
Cleaning the Air Filter	11
Adjusting the Carburetor	12
Spark Plug	13
Engine Running Behavior	14
Storing the Machine	14
Maintenance and Care	15
Main Parts	16
Specifications	17
Maintenance and Repairs	18
Disposal	18
EC Declaration of Conformity	18

Dear Customer,

Thank you for choosing a quality engineered STIHL product.

It has been built using modern production techniques and comprehensive quality assurance. Every effort has been made to ensure your satisfaction and trouble-free use of the product.

Please contact your dealer or our sales company if you have any queries concerning this product.

Your



Dr. Nikolas Stihl

STIHL

Guide to Using this Manual

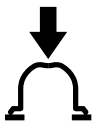
Pictograms

The meanings of the pictograms attached to the machine are explained in this manual.

Depending on the model concerned, the following pictograms may be attached to your machine.



Fuel tank; fuel mixture of gasoline and engine oil



Operate manual fuel pump

Symbols in text



WARNING

Warning where there is a risk of an accident or personal injury or serious damage to property.



NOTICE

Caution where there is a risk of damaging the machine or its individual components.

Engineering improvements

STIHL's philosophy is to continually improve all of its products. For this reason we may modify the design, engineering and appearance of our products periodically.

Therefore, some changes, modifications and improvements may not be covered in this manual.

Safety Precautions and Working Techniques



Special safety precautions must be observed when operating a power tool.



It is important you read and understand the User Manual before commissioning and keep it in a safe place for future reference. Non-compliance with the User Manual may cause serious or even fatal injury.

Observe all applicable local safety regulations, e.g. by trade organizations, social insurance institutions, labor safety authorities etc.

If you have not used this machine before: Have your dealer or other experienced user show you how to handle your machine safely or attend a specialist course.

Minors must never work with the machine – except for young people over the age of 16 who are being trained under supervision.

Children, animals and bystanders must remain at a distance.

When the machine is not in use, put it in a place where it does not endanger others. Secure the machine against unauthorized access.

The user is responsible for accidents or risks involving third parties or their property.

Do not pass on or lend the machine to persons who are not familiar with this model and its handling – always include the User Manual.

In some countries the operation of noise emitting power tools is restricted by local regulations. Observe country-specific requirements and regulations.

Do not use a high-pressure washer to clean the power tool. The solid jet of water may damage parts of the unit.

Accessories and spare parts

Only use parts and accessories that are explicitly approved for this power tool by STIHL or are technically identical. If you have any questions in this respect, consult your dealer. Use only high quality parts and accessories. In order to avoid the risk of accidents and damage to the unit.

STIHL recommends the use of original STIHL parts and accessories. They are specifically designed to match the product and meet your performance requirements.

Never attempt to modify your power tool in any way since this may increase the risk of personal injury. STIHL excludes all liability for personal injury and damage to property caused while using unauthorized attachments.

Physical fitness

To operate the power tool you must be rested, in good physical condition and mental health. If you have any condition

which may be aggravated by strenuous work, check with your doctor before operating a power tool.

If you have a pacemaker: The ignition system of your machine produces an electromagnetic field of very low intensity. This field may interfere with some pacemakers. To reduce health risks, STIHL recommends that persons with pacemakers consult their physician and the pacemaker manufacturer before operating this tool.

Do not operate the power tool if you have consumed alcohol or taken medication, which may impair responsiveness, or taken drugs.

Intended Use

The blower is designed for blow-sweeping leaves, grass, paper and similar materials, e.g. in gardens, sports stadiums, car parks and driveways. It is also suitable for blow-sweeping forest paths.

The machine must not be used for any other purposes – **risk of accidents!**

Do not operate or store your machine at temperatures below -10 °C – extreme cold may damage machine components.

Personal Protective Equipment / Personal Protective Clothing

Wear proper protective clothing and equipment.



Clothing must be sturdy but allow complete freedom of movement. Wear close-fitting clothes such as a boiler suit, not a loose jacket.

Avoid wearing any clothing, scarves, neckties or jewelry which could get into the air intake. Tie up and confine long hair above your shoulders.

Wear sturdy shoes with non-slip soles.



WARNING



To reduce the risk of eye injuries, wear close-fitting safety glasses in accordance with European Standard EN 166. Make sure the safety glasses are a snug fit.

Wear "personal" sound protection, e.g. ear defenders.

Transporting the machine

Always stop the engine.

Transporting in a vehicle:

- Secure the machine against overturning, damage and fuel spillage

Refueling



Gasoline is extremely flammable – keep it away from naked flames – do not spill any fuel – no smoking.

Always **shut off the engine** before refueling.

Do not fuel a hot engine – **fuel may spill and cause a fire.**

Open the fuel cap carefully to allow any pressure build-up in the tank to release slowly and avoid fuel spillage.

Only refuel the machine in a well ventilated place. If you spill fuel, wipe the machine immediately – if fuel gets on your clothing, change immediately.



Check for fuel leakage! Never start the engine if fuel has been spilled or is leaking – **Fatal burns may result!**



After fueling, tighten down the screw-type fuel cap as securely as possible.

This helps reduce the risk of unit vibrations causing an incorrectly tightened fuel cap to loosen or come off and spill quantities of fuel.

Before starting

Check that your power tool is properly assembled and in good condition – refer to appropriate chapters in the User Manual:

- Check the fuel system for leaks, especially the visible parts, e. g., fuel cap, hose connections, manual fuel pump (only in machines with a manual fuel pump). In case of leakage and damage, do not start the engine – **risk of fire!** Have the machine serviced by a dealer before using it
- Throttle trigger must move freely and spring back by itself to the idle position
- Stop switch must move easily to 0
- Check that the spark plug boot is secure – a loose boot may cause sparking that could ignite combustible fumes **and cause a fire!**
- Check condition of blower wheel and blower housing – see chapter on "Using the Blower"
- A worn fan housing (cracks, nicks, chips) may result in an increased risk of injury from thrown foreign objects
- If either the blower wheel or blower housing is damaged, consult your dealer – STIHL recommends you contact a STIHL servicing dealer
- Never attempt to modify the controls or safety devices

To reduce the risk of accidents and personal injury, do not operate your power tool if it is not properly assembled and in good condition

Starting the engine

Start the engine at least 3 meters from the fueling spot, outdoors only.

Your power tool is designed to be operated by one person only. Do not allow other persons in the work area – even when starting.

Do not drop-start the power tool – start the engine as described in the user manual.

Place the machine on level ground only, ensure that you have a secure footing and hold the machine securely.

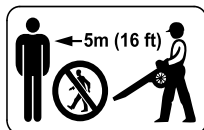
As soon as the engine starts, the increasing air flow may eject objects (e.g. stones).

While working



Do not direct the air blast towards bystanders or animals – the machine may eject small objects at high speed – **risk of injury!**

In the event of impending danger or in an emergency, switch off the engine immediately – move the stop switch to 0



To reduce the risk of injury from thrown objects, do not allow any other persons within 5 meters of your own position.

Never leave a running machine unattended.

Take special care in slippery and wet conditions, in snow, on ice, on slopes or uneven ground – **Risk of slipping!**

Watch out for obstacles such as tree stumps, roots and ditches which could cause you to **trip or stumble**.

Do not work on a ladder or in unstable locations.

Be particularly alert and cautious when wearing hearing protection because your ability to hear warnings (shouts, alarms, etc.) is restricted.

Take breaks when you start getting tired or feeling fatigue – **risk of accidents!**

Work calmly and carefully – in daylight conditions and only when visibility is good. Proceed with caution, do not put others in danger.

When blow-sweeping (in open terrain and in gardens), look out for small animals to prevent endangering them.

After work, place the machine on a level, non-flammable surface. Do not place the machine near easily flammable materials (e.g. wood chips, bark, dry grass, fuel) – **risk of fire!**



Your power tool produces **toxic exhaust fumes** as soon as the engine is running. These gases may be odorless and invisible and may contain unburned hydrocarbons and benzene. Never run the engine indoors or in poorly ventilated locations, even if your model is equipped with a catalytic converter.

To reduce the risk of **serious or fatal injury from breathing toxic fumes**, ensure proper ventilation when working in trenches, hollows or other confined locations.

Stop work immediately if you start suffering from nausea, headaches, impaired vision (e.g. your field of vision gets smaller), impaired hearing, dizziness, or impaired concentration – these symptoms may possibly be the result of too-high exhaust gas concentration – **Risk of accidents!**

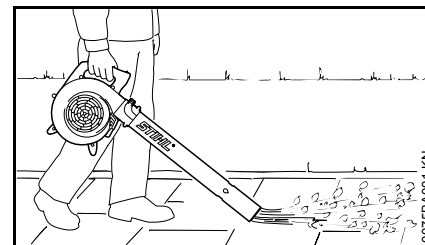
The dust, which is swirled up during operation, may be harmful to health. Wear a dust mask in case of dust formation.

To reduce the risk of fire, do not smoke while operating or standing near your power tool. Combustible fuel vapor may escape from the fuel system.

If the machine was exposed to a load for which it was not designed (e.g. heavy impact or a fall), always check that it is in good condition before continuing work – see also "Before Starting". Check in particular that the fuel system has no leaks and the safety equipment is fully

operative. Do not continue operating the machine if it is damaged. In case of doubt, contact a dealer.

Using the blower



The blower is designed for one-handed operation. The operator must carry the blower with his right hand on the control handle.

Always hold the power tool firmly in your hand.

When blow-sweeping in open terrain and in gardens, look out for small animals.

Work only slowly, moving in a forwards direction – always observe the discharge area of the blower tube – do not move backwards – **risk of tripping!**

! WARNING

Operate the machine only with the blower tube completely mounted – **risk of injury!**

Working Technique

To minimize blowing time, use a rake and broom to loosen dirt particles before you start blowing.

Recommended working technique to minimize air pollution:

- If necessary, dampen the surface to be cleaned in order to avoid creating too much dust.
- Do not blow particles in the direction of bystanders, in particular in the direction of children, pets, open windows or freshly washed vehicles. Take special care in such situations.
- Remove the blow-swept debris in rubbish bins – do not blow it onto the neighbor's land.

Recommended working technique to minimize noise:

- Operate your power tool at reasonable times only – not early in the morning, late at night or during midday rest periods when people could be disturbed. Observe local rest periods.
- Operate blowers at the lowest engine speed necessary to accomplish the task.
- Check your blower before starting work. Pay special attention to the muffler, air intakes and air filter.

Vibrations

Prolonged use of the power tool may result in vibration-induced circulation problems in the hands (whitefinger disease).

No general recommendation can be given for the length of usage because it depends on several factors.

The period of usage is prolonged by:

- Hand protection (wearing warm gloves)
- Work breaks

The period of usage is shortened by:

- Any personal tendency to suffer from poor circulation (symptoms: frequently cold fingers, tingling sensations).
- Low outside temperatures.
- The force with which the handles are held (a tight grip restricts circulation).

Continual and regular users should monitor closely the condition of their hands and fingers. If any of the above symptoms appear (e.g. tingling sensation in fingers), seek medical advice.

Maintenance and Repairs

Service the machine regularly. Do not attempt any maintenance or repair work not described in the instruction manual. Have all other work performed by a servicing dealer.

STIHL recommends that you have servicing and repair work carried out exclusively by an authorized STIHL servicing dealer. STIHL dealers are regularly given the opportunity to attend training courses and are supplied with the necessary technical information.

Only use high-quality replacement parts in order to avoid the risk of accidents and damage to the machine. If you have any questions in this respect, consult a servicing dealer.

STIHL recommends the use of original STIHL replacement parts. They are specifically designed to match your model and meet your performance requirements.

To reduce the risk of injury, **always shut off the engine** before carrying out any maintenance or repairs or cleaning the machine. – Exception: Carburetor and idle speed adjustments.

Do not turn the engine over on the starter with the spark plug boot or spark plug removed unless the slide control / stop switch is on **STOP** or **0** since there is otherwise a **risk of fire** from uncontained sparking.

To reduce the **risk of fire**, do not service or store your machine near open flames.

Check the fuel filler cap for leaks at regular intervals.

Use only a spark plug of the type approved by STIHL and make sure it is in good condition – see "Specifications".

Inspect the ignition lead (insulation in good condition, secure connection).

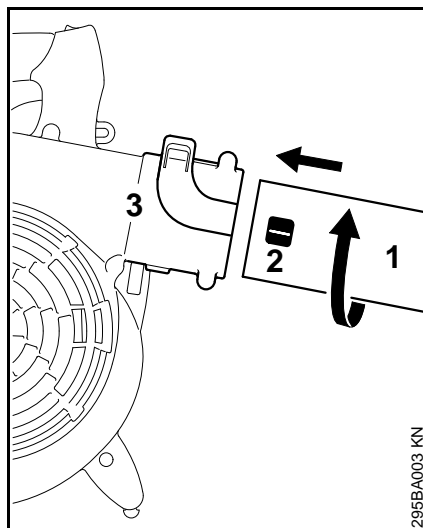
Check the condition of the muffler.

To reduce the **risk of fire and damage to hearing**, do not operate your machine if the muffler is damaged or missing. –

Do not touch a hot muffler since **burn injury** will result.

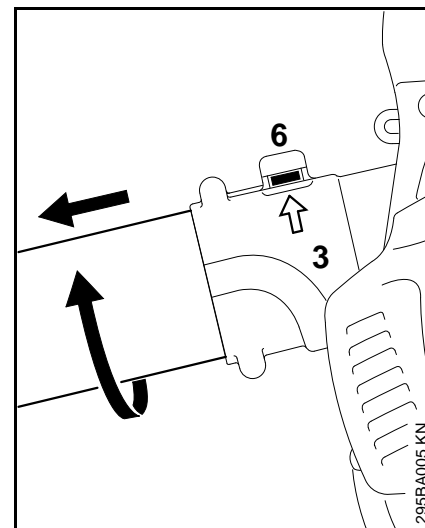
Assembling the Blower

Mounting the Blower Tube



- Push the blower tube (1) with lug (2) into the fan housing stub (3) and rotate it in the direction of the arrow to lock in position.

Removing the Blower Tube



- Use a suitable tool to lift the tab (6) on the fan housing stub (3).
- Rotate the blower tube in the direction of the arrow and then pull it out.

Fuel

Your engine requires a mixture of gasoline and engine oil.

WARNING

For health reasons, avoid direct skin contact with gasoline and avoid inhaling gasoline vapor.

STIHL MotoMix

STIHL recommends the use of STIHL MotoMix. This ready-to-use fuel mix contains no benzol or lead, has a high octane rating and ensures that you always use the right mix ratio.

STIHL MotoMix uses STIHL HP Ultra two-stroke engine oil for an extra long engine life.

MotoMix is not available in all markets.

Mixing Fuel

NOTICE

Unsuitable fuels or lubricants or mix ratios other than those specified may result in serious damage to the engine. Poor quality gasoline or engine oil may damage the engine, sealing rings, hoses and the fuel tank.

Gasoline

Use only high-quality **brand-name** gasoline with a minimum octane rating of 90 – leaded or unleaded.

Gasoline with an ethanol content of more than 10% can cause running problems in engines with a manually adjustable carburetor and should not be used in such engines.

Engines equipped with M-Tronic deliver full power when run on gasoline with an ethanol content of up to 25% (E25).

Engine Oil

If you mix the fuel yourself, use only STIHL two-stroke engine oil or another high-performance engine oil in accordance with JASO FB, JASO FC, JASO FD, ISO-L-EGB, ISO-L-EGC or ISO-L-EGD.

STIHL specifies STIHL HP Ultra two-stroke engine oil or an equivalent high-performance engine oil in order to maintain emission limits over the machine's service life.

Mix Ratio

STIHL 50:1 two-stroke engine oil: 50 parts gasoline to 1 part oil

Examples

Gasoline Liters	STIHL engine oil 50:1 Liters	(ml)
1	0.02	(20)
5	0.10	(100)
10	0.20	(200)
15	0.30	(300)
20	0.40	(400)
25	0.50	(500)

- Use a canister approved for storing fuel. Pour oil into canister first, then add gasoline and mix thoroughly.

Storing Fuel

Store fuel only in approved safety-type fuel canisters in a dry, cool and safe location protected from light and the sun.

Fuel mix ages – only mix sufficient fuel for a few weeks work. Do not store fuel mix for longer than 30 days. Exposure to light, the sun, low or high temperatures can quickly make the fuel mix unusable.

STIHL MotoMix may be stored for up to 2 years without any problems.

- Thoroughly shake the mixture in the canister before fueling your machine.

WARNING

Pressure may build up in the canister – open it carefully.

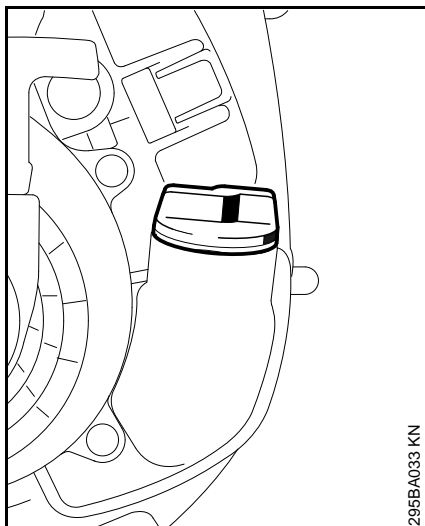
- Clean the fuel tank and canister from time to time.

Dispose of remaining fuel and cleaning fluid properly in accordance with local regulations and environmental requirements.

Fueling



Preparations



- Before fueling, clean the filler cap and the area around it to ensure that no dirt falls into the tank.
- Position the machine so that the tank cap faces up.

STIHL recommends you use the STIHL filler nozzle for fuel (special accessory).

Filling Up with Fuel

Take care not to spill fuel while fueling and do not overfill the tank.

- Open the cap.
- Fill up with fuel.
- Close the cap.

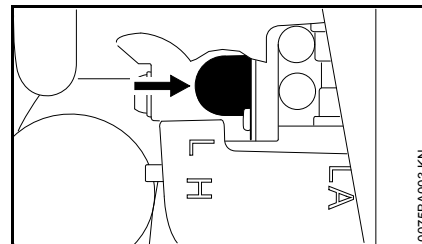


After fueling, tighten down the filler cap as securely as possible by hand.

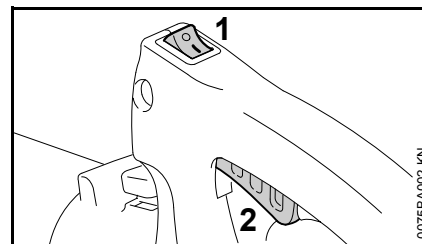
Starting / Stopping the Engine

Starting the Engine

- Observe safety precautions.



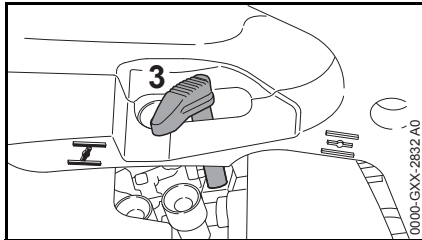
- Press the fuel pump bulb at least five times – even if the bulb is already filled with fuel.



- Move the stop switch (1) to the run position I

Setting the choke lever

If the engine is cold



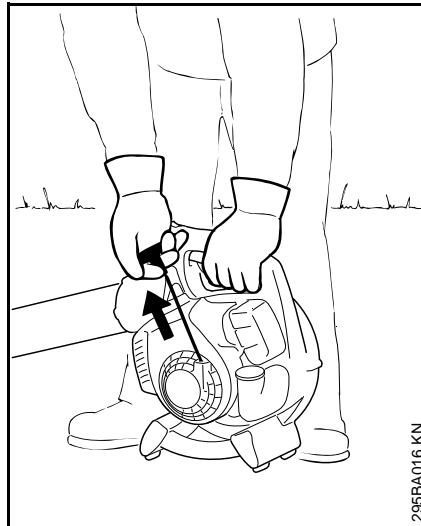
- Move the choke lever (3) to **I**
- Pull the throttle trigger (2) and hold it there.
- Crank engine until it begins to fire.
- Move the choke lever (3) to **II**
- Pull the throttle trigger (2) and hold it there.
- Continue cranking until the engine runs.

If the engine is warm

Also use this setting if the engine has been running but is still cold.

- Move the choke lever (3) to **II**
- Pull the throttle trigger (2) and hold it there.
- Continue cranking until the engine runs.

Cranking



- Place the unit on the ground so that it is secure.
- Make sure you have a firm footing: Hold the unit firmly with your left hand on the housing and press down.
- Hold the starter grip with your right hand.
- Pull the starter grip slowly until you feel it engage and then give it a brisk strong pull.

NOTICE

Do not pull out the starter rope all the way – it might otherwise break.

- Do not let the starter grip snap back. Guide it slowly back into the housing so that the starter rope can rewind properly.

Stopping the Engine

- Move the stop switch to **0**

Other Hints on Starting

If the engine stops during warm-up or acceleration

- Repeat the starting procedure – see "If the engine is cold".

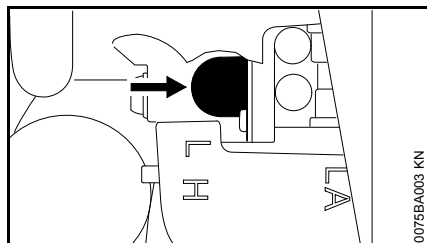
If engine does not start

- Make sure all settings are correct (choke shutter, stop switch in run position I).
- Repeat the starting procedure.

If the engine still does not start

- Move the stop switch to **0**
- Remove the spark plug – see "Spark Plug".
- Dry the spark plug.
- Crank the engine several times with the starter to clear the combustion chamber.
- Refit the spark plug – see "Spark Plug".
- Move the stop switch to **I**
- set the choke lever to **II** – even if the engine is cold.
- Pull the throttle trigger (2) and hold it there.
- Now start the engine.

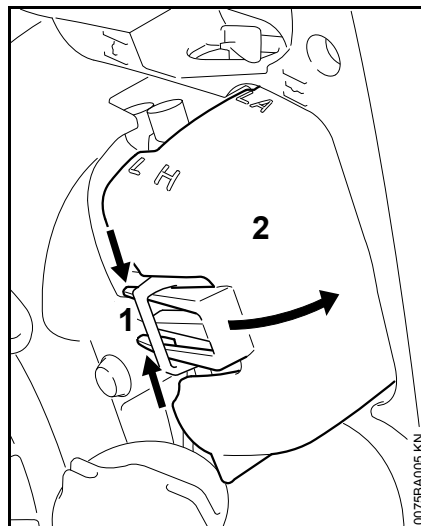
If fuel tank has been run completely dry and then refueled



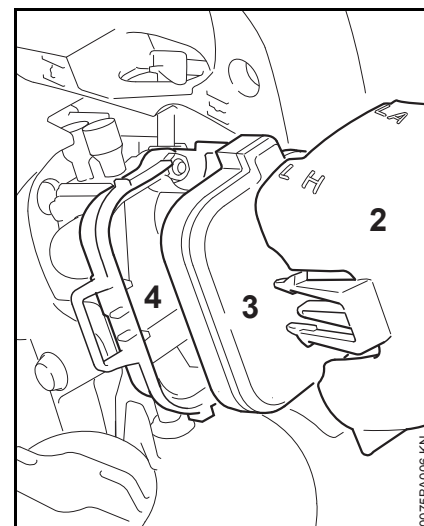
- Press the fuel pump bulb at least five times – even if the bulb is already filled with fuel.
- Set the choke lever according to engine temperature.
- Now start the engine.

Cleaning the Air Filter

If there is a noticeable loss of engine power



- Move the choke lever to \overline{I}
- Squeeze the tabs (1) together.
- Swing the filter cover (2) open and take it away.
- Clean away loose dirt from around the filter.



- Take the filter (3) out of the filter housing (4).
- Install a new filter. Temporary measure: wash the filter.

Replace any damaged parts.

- Fit the filter (3) in the filter housing (4).
- Fit the filter cover (2) so that it snaps into position.

Adjusting the Carburetor

General Information

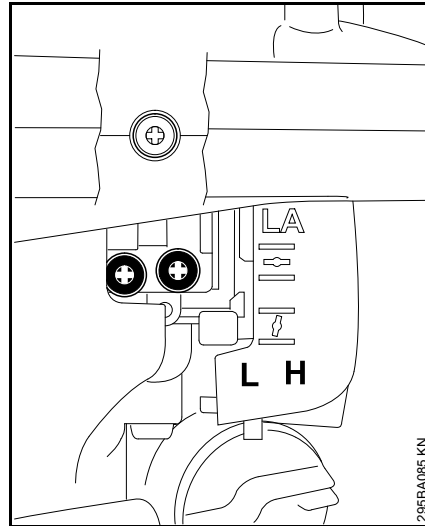
The carburetor comes from the factory with a standard setting.

This setting provides an optimum fuel-air mixture under most operating conditions.

Preparations

- Shut off the engine.
- Check the air filter and clean or replace if necessary.
- Check the spark arresting screen (not in all models, country-specific) in the muffler and clean or replace if necessary.

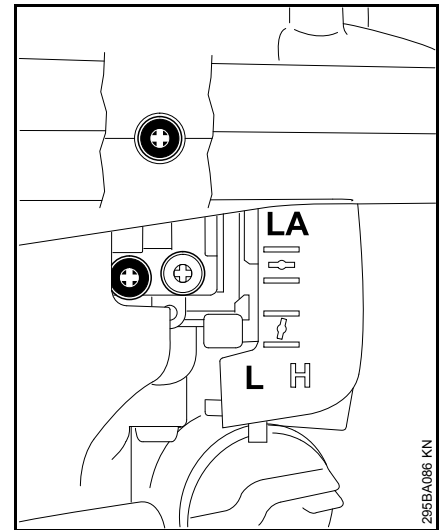
Standard Setting



- Turn high speed screw (H) counterclockwise as far as stop (no more than 3/4 turn).
- Turn the low speed screw (L) clockwise as far as stop, then turn it back 3/4 turn.

Adjusting Idle Speed

- Carry out the standard setting.
- Start and warm up the engine.



Engine stops while idling

- Turn the idle speed screw (LA) clockwise until the engine runs smoothly – then back it off a 1/4 turn from that position.

Erratic idling behavior, poor acceleration (despite correction to setting of LA screw).

Idle setting is too lean

- Turn the low speed screw (L) carefully counterclockwise, no further than stop, until the engine runs smoothly and accelerates well.

Erratic idling behavior, engine speed drops when swinging the machine

Idle setting is too rich

- Turn the low speed screw (L) slowly clockwise until the engine runs and accelerates smoothly.

It is usually necessary to change the setting of the idle speed screw (LA) after every correction to the low speed screw (L).

Fine Tuning for Operation at High Altitude

A slight correction of the setting may be necessary if the engine does not run satisfactorily:

- Carry out the standard setting.
- Warm up the engine.
- Turn high speed screw (H) slightly clockwise (leaner) – no further than stop.



NOTICE

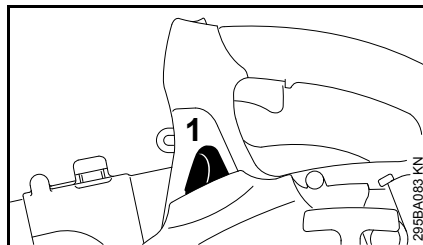
After returning from high altitude, reset the carburetor to the standard setting.

If the setting is too lean there is a risk of engine damage due to insufficient lubrication and overheating.

Spark Plug

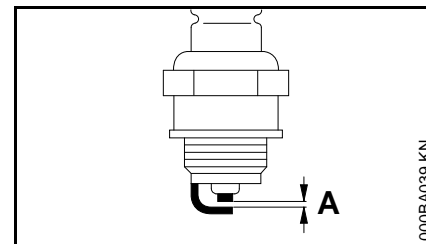
- If the engine is down on power, difficult to start or runs poorly at idle speed, first check the spark plug.
- Fit a new spark plug after about 100 operating hours – or sooner if the electrodes are badly eroded. Install only suppressed spark plugs of the type approved by STIHL – see "Specifications".

Removing the Spark Plug



- Pull off the spark plug boot (1).
- Unscrew the spark plug.

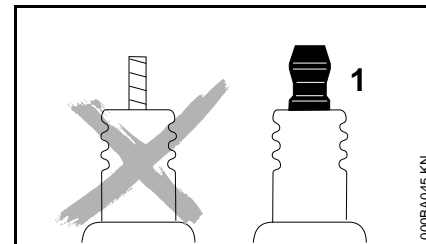
Checking the Spark Plug



- Clean dirty spark plug.
- Check electrode gap (A) and readjust if necessary – see "Specifications".
- Rectify the problems which have caused fouling of the spark plug.

Possible causes are:

- Too much oil in fuel mix.
- Dirty air filter.
- Unfavorable running conditions.

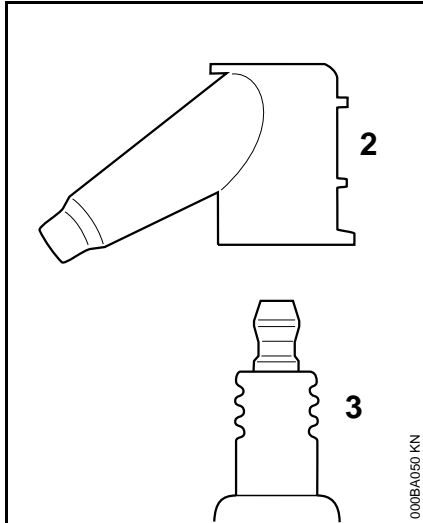


! WARNING

Arcing may occur if the adapter nut (1) is loose or missing. Working in an easily combustible or explosive atmosphere may cause a fire or an explosion. This can result in serious injuries or damage to property.

- Use resistor type spark plugs with a properly tightened adapter nut.

Installing the Spark Plug



- Screw the spark plug (3) into the cylinder and fit the boot (2) (press it down firmly).

Engine Running Behavior

If engine running behavior is unsatisfactory even though the air filter is clean and the carburetor is properly adjusted, the cause may be the muffler.

Have the muffler checked for contamination (carbonization) by your servicing dealer.

STIHL recommends that you have servicing and repair work carried out exclusively by an authorized STIHL servicing dealer.

Storing the Machine

For periods of 3 months or longer

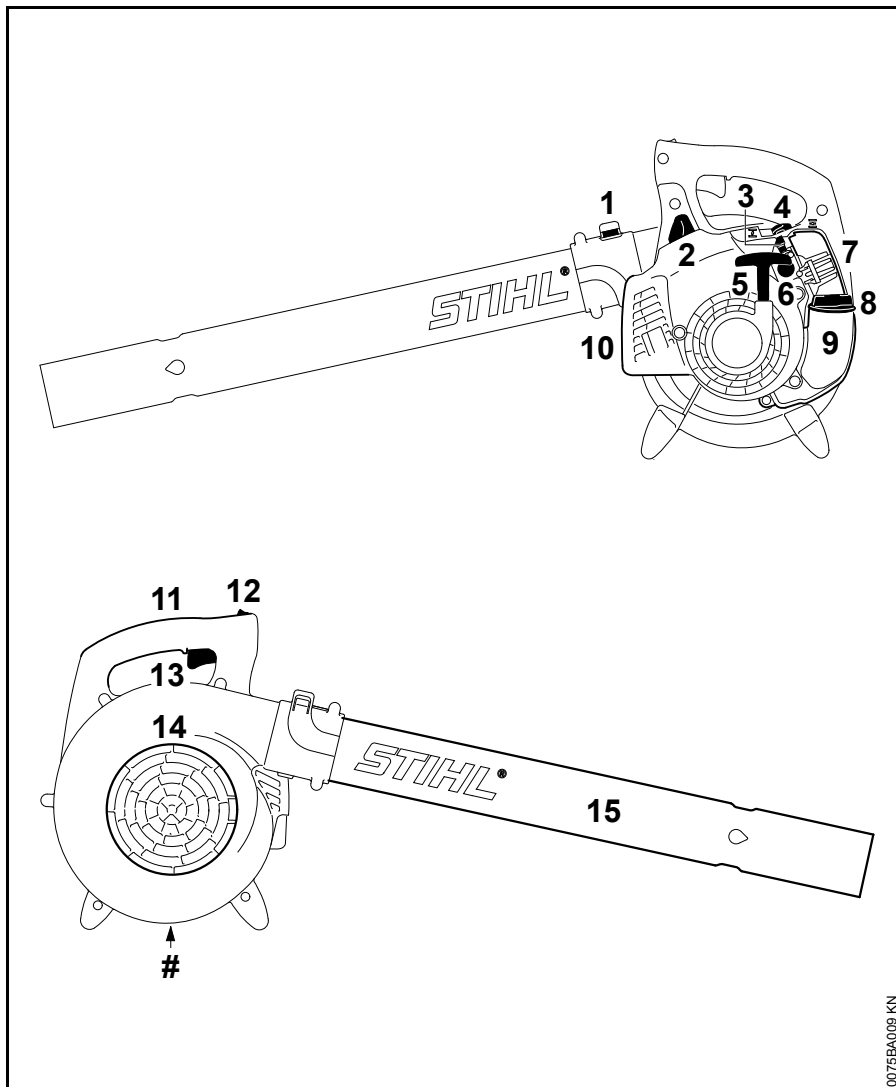
- Drain and clean the fuel tank in a well ventilated area.
- Dispose of fuel properly in accordance with local environmental requirements.
- Run the engine until the carburetor is dry – this helps prevent the carburetor diaphragms sticking together.
- Thoroughly clean the machine – pay special attention to the cylinder fins and air filter.
- Store the machine in a dry, high or locked location, – out of the reach of children and other unauthorized persons.

Maintenance and Care

The following intervals apply to normal operating conditions only. If your daily working time is longer or operating conditions are difficult (very dusty work area, etc.), shorten the specified intervals accordingly.		before starting work	after finishing work or daily	after each refueling stop	weekly	monthly	every 12 months	if problem	if damaged	as required
Complete machine	Visual inspection (condition, wear, leaks)	x		x						
	Clean		x							
Control handle	Check operation	x		x						
Air filter	Clean							x		x
	Replace								x	x
Manual fuel pump	Check	X								
	Have repaired by servicing dealer ¹⁾								X	
Pickup body in fuel tank	Check							x		
	Have replaced by dealer ¹⁾						x		x	x
Fuel tank	Clean							x		x
Carburetor	Check idle setting	x		x						
	Readjust idle									x
Spark plug	Readjust electrode gap							x		
	Replace after 100 operating hours									
Cooling inlets	Clean									x
All accessible screws and nuts (not adjusting screws)	Retighten									x
Safety labels	Replace								x	

¹⁾ STIHL recommends an authorized STIHL servicing dealer.

Main Parts



- 1 Tab
- 2 Spark plug boot
- 3 Carburetor adjusting screw
- 4 Choke lever
- 5 Starter grip
- 6 Manual fuel pump
- 7 Filter housing
- 8 Tank cap
- 9 Fuel tank
- 10 Muffler
- 11 Control handle
- 12 Switch
- 13 Throttle trigger
- 14 Intake screen
- 15 Blower tube
- # Serial number

0075BA009 KN

Specifications

Engine

STIHL single cylinder two-stroke engine

Displacement:	27.2 cc
Bore:	34 mm
Stroke:	30 mm
Idle speed:	2,800 rpm

Ignition System

Electronic magneto ignition

Spark plug (resistor type):	Bosch WSR 6 F, NGK BPMR 7 A
Electrode gap:	0.5 mm

Fuel System

All position diaphragm carburetor with integral fuel pump

Fuel tank capacity:	430 cc (0.43 l)
---------------------	-----------------

Blowing performance

Blowing force:	13 N
Air velocity:	60 m/s
Air flow rate:	700 m ³ /h
Maximum air velocity	71 m/s

Weight

dry:	3.6 kg
------	--------

Noise and Vibration Data

Noise and vibration data are measured at idling and maximum rated speed in a ratio of 1:6.

For further details on compliance with Vibration Directive 2002/44/EC see www.stihl.com/vib.

Sound pressure level L_{peq} to DIN EN 15503

BG 50:	92 dB(A)
--------	----------

Sound power level L_w to DIN EN 15503

BG 50:	105 dB(A)
--------	-----------

Vibration measurement $a_{hv,eq}$ to DIN EN 15503

	Handle, right
BG 50:	10,5 m/s ²

The K-factor in accordance with Directive 2006/42/EC is 2.0 dB(A) for the sound pressure level and sound power level; the K-factor in accordance with Directive 2006/42/EC is 2.0 m/s² for the vibration level.

REACH

REACH is an EC regulation and stands for the Registration, Evaluation, Authorisation and Restriction of Chemical substances.

For information on compliance with the REACH regulation (EC) No. 1907/2006 see www.stihl.com/reach.

Exhaust Emissions

The CO₂ value measured in the EU type approval procedure is specified at www.stihl.com/co2.

The measured CO₂ value was determined on a representative engine in accordance with a standardized test procedure under laboratory conditions and does not represent either an explicit or implied guarantee of the performance of a specific engine.

The applicable exhaust emission requirements are fulfilled by the intended usage and maintenance described in this instruction manual. The type approval expires if the engine is modified in any way.


Maintenance and Repairs

Users of this machine may only carry out the maintenance and service work described in this user manual. All other repairs must be carried out by a servicing dealer.

STIHL recommends that you have servicing and repair work carried out exclusively by an authorized STIHL servicing dealer. STIHL dealers are regularly given the opportunity to attend training courses and are supplied with the necessary technical information.

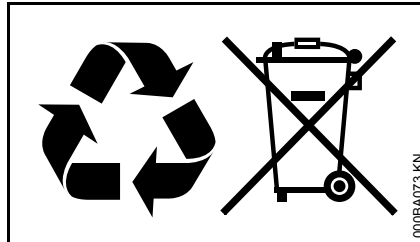
When repairing the machine, only use replacement parts which have been approved by STIHL for this power tool or are technically identical. Only use high-quality replacement parts in order to avoid the risk of accidents and damage to the machine.

STIHL recommends the use of original STIHL replacement parts.

Original STIHL parts can be identified by the STIHL part number, the **STIHL** logo and the STIHL parts symbol  (the symbol may appear alone on small parts).

Disposal

Observe all country-specific waste disposal rules and regulations.



STIHL products must not be thrown in the garbage can. Take the product, accessories and packaging to an approved disposal site for environment-friendly recycling.

Contact your STIHL servicing dealer for the latest information on waste disposal.

EC Declaration of Conformity

ANDREAS STIHL AG & Co. KG
Badstr. 115
D-71336 Waiblingen

Germany

declares under our sole responsibility that

Designation:	Blower
Make:	STIHL
Series:	BG 50
Serial identification number:	4229
Displacement:	27.2 ³

conforms to the relevant provisions of Directives 2011/65/EU, 2006/42/EC, 2014/30/EU and 2000/14/EC and has been developed and manufactured in compliance with the following standards in the versions valid on the date of production:

EN ISO 12100, EN 55012,
EN 61000-6-1

The measured and the guaranteed sound power level have been determined in accordance with Directive 2000/14/EC, Annex V, and standard ISO 11094.

Measured sound power level

BG 50: 103 dB(A)

Guaranteed sound power level

BG 50: 105 dB(A)

Technical documents deposited at:

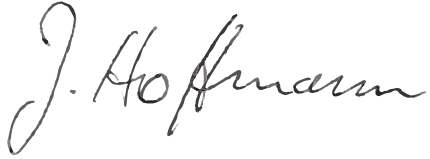
ANDREAS STIHL AG & Co. KG
Produktzulassung

The year of manufacture and serial number are applied to the product.

Done at Waiblingen, 03.02.2020

ANDREAS STIHL AG & Co. KG

pp

A handwritten signature in black ink, appearing to read "J. Hoffmann". The signature is written in a cursive style with a large initial "J".

Dr. Jürgen Hoffmann

Head of Product Data, Regulations and
Licensing

The CE mark, consisting of the letters "C" and "E" in a stylized, bold font.

0458-425-0121-C

englisch



www.stihl.com



0458-425-0121-C