

STIHL[®]

STIHL FS 55

Instruction Manual
Notice d'emploi



GB Instruction Manual
1 - 38

F Notice d'emploi
39 - 79

Contents

Guide to Using this Manual	2	STIHL Limited Emission Control	
Safety Precautions and Working Techniques	2	Warranty Statement	37
Approved Combinations of Cutting Attachment, Deflector, Handle and Harness	11		
Mounting the Bike Handle	12		
Mounting the Loop Handle	13		
Fitting the Carrying Ring	15		
Mounting the Deflector	15		
Mounting the Cutting Attachment	16		
Fuel	18		
Fueling	19		
Fitting the Harness	20		
Balancing the Trimmer/Brushcutter	20		
Starting / Stopping the Engine	21		
Operating Instructions	25		
Cleaning the Air Filter	25		
Engine Management	26		
Adjusting the Carburetor	26		
Spark Plug	28		
Engine Running Behavior	29		
Rewind Starter	29		
Storing the Machine	29		
Sharpening Metal Cutting Blades	30		
Inspections and Maintenance by Dealer	30		
Maintenance and Care	31		
Main Parts	33		
Specifications	35		
Special Accessories	36		
Maintenance and Repairs	36		

Dear Customer,

Thank you for choosing a quality engineered STIHL product.

This machine has been built using modern production techniques and comprehensive quality assurance. Every effort has been made to ensure your satisfaction and troublefree use of the machine.

Please contact your dealer or our sales company if you have any queries concerning your machine.

Your



Hans Peter Stihl



FS 55, FS 55 C, FS 55 R, FS 55 RC

Guide to Using this Manual

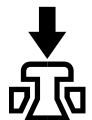
Pictograms

The meanings of the pictograms attached to the machine are explained in this manual.

Depending on the model concerned, the following pictograms may be attached to your machine.



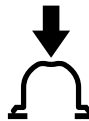
Fuel tank; fuel mixture of gasoline and engine oil



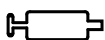
Operate decompression valve



Manual fuel pump



Operate manual fuel pump



Tube of grease



Intake air: Summer operation



Intake air: Winter operation



Handle heating

Symbols in text



Warning where there is a risk of an accident or personal injury or serious damage to property.



Caution where there is a risk of damaging the machine or its individual components.

Engineering improvements

STIHL's philosophy is to continually improve all of its products. For this reason we may modify the design, engineering and appearance of our products periodically.

Therefore, some changes, modifications and improvements may not be covered in this manual.

Safety Precautions and Working Techniques



Some special safety precautions must be observed to reduce the risk of personal injury when operating this power tool because of the very high speed of its cutting attachment.



It is important you read and understand the instruction manual before using your power tool for the first time and keep the manual in a safe place for future reference. Non-observance of the safety precautions may result in serious or even fatal injury.

Observe all applicable local safety regulations, standards and ordinances.

If you have not used this type of power tool before: Have your dealer or other experienced user show you how to operate your power tool or attend a special course in its operation.

Minors should never be allowed to use a power tool.

Keep bystanders, especially children, and animals away from the work area.

When the power tool is not in use, shut it off so that it does not endanger others. Secure it against unauthorized use.

The user is responsible for avoiding injury to third parties or damage to their property.

Do not lend or rent your power tool without the instruction manual. Be sure that anyone using it understands the information contained in this manual.

The use of noise emitting power tools may be restricted to certain times by national or local regulations.

To operate the power tool you must be rested, in good physical condition and mental health.

If you have any condition that might be aggravated by strenuous work, check with your doctor before operating a power tool.

Persons with pacemakers only: The ignition system of your power tool produces an electromagnetic field of a very low intensity. This field may interfere with some pacemakers. To reduce health risks, STIHL recommends that persons with pacemakers consult their physician and the pacemaker manufacturer before operating this tool.

Do not operate the power tool if you are under the influence of any substance (drugs, alcohol) which might impair vision, dexterity or judgment.

Depending on the cutting attachment fitted, use your power tool only for cutting grass, wild growth, shrubs, scrub, bushes, small diameter trees and similar materials.

Do not use your power tool for any other purpose since **this may result in accidents.**

Only use cutting attachments and accessories that are explicitly approved for this power tool model by STIHL or are technically identical. If you have any questions in this respect, consult a

servicing dealer. Use only high quality parts and accessories in order to avoid the risk of accidents and damage to the machine.

STIHL recommends the use of original STIHL replacement parts. They are specifically designed to match your model and meet your performance requirements.

Never attempt to modify your power tool in any way since this may increase the risk of personal injury. STIHL excludes all liability for personal injury and damage to property caused while using unauthorized attachments.

Do not use a pressure washer to clean the unit. The solid jet of water may damage parts of the unit.

The deflector on this power tool cannot protect the operator from all objects thrown by the cutting attachment (stones, glass, wire, etc.). Such objects may ricochet and then hit the operator.

Clothing and Equipment

Wear proper protective clothing and equipment.



Clothing must be sturdy but allow complete freedom of movement. Wear snug-fitting clothing, an overall and jacket combination, do not wear a work coat.

Avoid clothing that could get caught on branches or brush or moving parts of the machine. Do not wear a scarf, necktie or jewelry. Tie up and confine long hair (e.g. with a hair net, cap, hard hat, etc.).



Wear steel-toed safety boots with non-slip soles.

Sturdy shoes with non-slip soles may be worn as an alternative only when using mowing heads.



Wear a safety hard hat for thinning operations, when working in high scrub and where there is a danger of head injuries from falling objects. To reduce the risk of injury from thrown objects, always wear a face shield and safety glasses.

A face shield alone does not provide adequate eye protection.

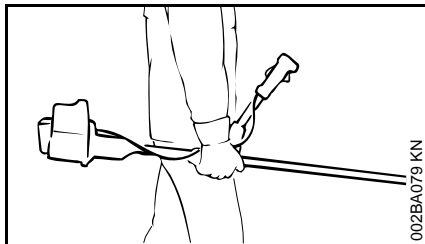
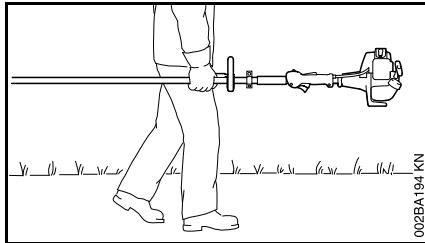
Wear hearing protection, e.g. earplugs or ear muffs.



Wear heavy-duty gloves.

STIHL offers a comprehensive range of personal protective clothing and equipment.

Transporting the Power Tool



Always turn off the engine.

Carry the unit hanging from the shoulder strap or properly balanced by the drive tube. Fit transport guard on metal cutting attachments to avoid the risk of injury from blade contact

Transporting in a vehicle: Properly secure your power tool to prevent turnover, fuel spillage and damage.

Fueling



Gasoline is an extremely flammable fuel. Keep clear of naked flames. Do not spill any fuel – do not smoke.

Always shut off the engine before refueling.

Do not fuel a hot engine – **fuel may spill and cause a fire.**

Open the fuel cap carefully to allow any pressure build-up in the tank to release slowly and avoid fuel spillage.

Fuel your power tool only in well-ventilated areas. If you spill fuel, wipe the machine immediately – if fuel gets on your clothing, change immediately.

Your power tool comes standard with either a screw-type or bayonet-type fuel cap.



After fueling, tighten down the screw-type fuel cap as securely as possible.



Insert the fuel cap with hinged grip (bayonet-type cap) correctly in the opening, turn it clockwise as far as stop and fold the grip down.

This reduces the risk of unit vibrations causing the fuel cap to loosen or come off and spill quantities of fuel.

To reduce the **risk of serious or fatal burn injuries**, check for fuel leakage. If fuel leakage is found, do not start or run the engine until leak is fixed.

Before starting

Check that your power tool is properly assembled and in good condition – refer to appropriate chapters in the instruction manual.

- Use only an approved combination of cutting attachment, deflector, handle and harness. All parts must be assembled properly and securely.
- Slide control / stop switch must move easily to **STOP** or **0**
- Smooth action of throttle trigger interlock (if fitted) and throttle trigger – the throttle trigger must return automatically to the idle position.
- Check that the spark plug boot is secure – a loose boot may cause arcing that could ignite combustible fumes **and cause a fire.**
- Cutting tool or attachment: Check for correct and secure assembly and good condition.
- Check protective devices (e.g. deflector for cutting tool, rider plate) for damage or wear. Always replace damaged parts. Do not operate your machine with a damaged deflector or worn rider plate (lettering and arrows no longer legible).
- Never attempt to modify the controls or the safety devices in any way.
- Keep the handles dry and clean – free from oil and dirt – for safe control of the power tool.
- Adjust the harness and handle(s) to suit your height and reach. See chapters on "Fitting the Harness" and "Balancing the Trimmer/Brushcutter".

To reduce the risk of personal injury, do not operate your power tool if it is damaged or not properly assembled.

If you use a shoulder strap or full harness: Practise removing and putting down the machine as you would in an emergency. To avoid damage, do not throw the machine to the ground when practising.

Starting the engine

Start the engine at least 3 meters from the fueling spot, outdoors only.

Place the unit on firm ground in an open area. Make sure you have good balance and secure footing. Hold the unit securely. The cutting attachment must be clear of the ground and all other obstructions because it may begin to run when the engine starts.

Your power tool is a one-person unit. **To reduce the risk of injury** from thrown objects, do not allow other persons within a radius of 15 meters of your own position – even when starting.



To reduce the risk of injury, avoid contact with the cutting attachment.



Do not drop start the power tool – start the engine as described in the instruction manual. Note that the cutting attachment continues to run for a short period after you let go of the throttle trigger – **fly-wheel effect**.

Check idle speed setting: The cutting attachment must not rotate when the engine is idling with the throttle trigger released.

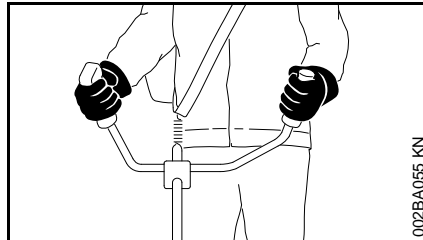
To reduce the risk of fire, keep hot exhaust gases and hot muffler away from easily combustible materials (e.g. wood chips, bark, dry grass, fuel).

Holding and Controlling the Power Tool

Always hold the unit firmly with both hands on the handles.

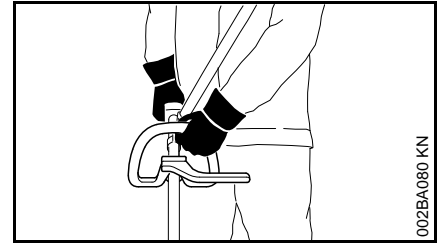
Make sure you always have good balance and secure footing.

Models with bike handle



Right handle on control handle, left hand on left handle.

Models with loop handle

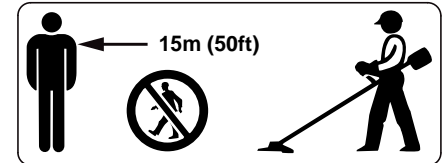


On units with a loop handle and barrier bar, left hand on loop handle, right hand on control handle, even if you are left-handed.

During Operation

Make sure you always have good balance and secure footing.

In the event of impending danger or in an emergency, switch off the engine immediately by moving the slide control / stop switch to **STOP** or **0**.



To reduce the risk of personal injury, do not allow any other persons within a radius of 15 meters of your own position. To reduce the risk of damage to property, also maintain this distance from other objects (vehicles, windows).

The correct engine idle speed is important to ensure that the cutting attachment stops rotating when you let go of the throttle trigger.

Check and correct the idle speed setting at regular intervals. If the cutting attachment still rotates at idle speed, have your dealer make proper adjustments or repairs. STIHL recommends a STIHL servicing dealer.

Take special care in slippery conditions – damp, snow, ice, on slopes or uneven ground.

Watch out for obstacles: Roots, tree stumps or holes which could cause you to trip or stumble.

Always stand on the ground while working, never on a ladder, work platform or any other insecure support.

Be particularly alert and cautious when wearing hearing protection because your ability to hear warnings (shouts, alarms, etc.) is restricted.

To reduce the risk of accidents, take a break in good time to avoid tiredness or exhaustion.

Work calmly and carefully – in daylight conditions and only when visibility is good. Stay alert so as not to endanger others.



Your power tool produces toxic exhaust fumes as soon as the engine is running. These fumes may be colorless and odorless and contain unburned hydrocarbons and benzol. Never run the engine indoors or in poorly ventilated locations, even if your model is equipped with a catalytic converter.

To reduce the risk of serious or fatal injury from breathing toxic fumes, ensure proper ventilation when working in trenches, hollows or other confined locations.

To reduce the risk of accidents, stop work immediately in the event of nausea, headache, visual disturbances (e.g. reduced field of vision), problems with hearing, dizziness, deterioration in ability to concentrate. Apart from other possibilities, these symptoms may be caused by an excessively high concentration of exhaust gases in the work area.

Operate your power tool so that it produces a minimum of noise and emissions – do not run the engine unnecessarily, accelerate the engine only for cutting.

To reduce the risk of fire, do not smoke while operating or standing near your power tool. Note that combustible fuel vapor may escape from the fuel system.

The dusts, vapor and smoke produced during operation may be dangerous to health. If the work area is very dusty or smoky, wear a respirator.

If your power tool is subjected to unusually high loads for which it was not designed (e.g. heavy impact or a fall), always check that it is in good condition before continuing work – see also "Before Starting".

Check the fuel system in particular for leaks and make sure the safety devices are working properly. Do not continue operating your power tool if it is

damaged. In case of doubt, have the machine checked by your servicing dealer.

Do not operate your power tool with the starting throttle lock engaged – engine speed cannot be controlled in this position.



To reduce the risk of injury from thrown objects, never operate the unit without the proper deflector for the type of cutting attachment being used.



Inspect the work area: Stones, pieces of metal or other solid objects can be thrown and cause personal injury or damage the cutting attachment and property (e.g. parked vehicles, windows).

Special care must be taken when working in difficult, over-grown terrain.

When cutting high scrub, under bushes and hedges: Keep cutting tool at minimum height of 15 cm to avoid harming small animals.

Always shut off the engine before leaving the unit unattended.

Check the cutting attachment at regular short intervals during operation or immediately if there is a noticeable change in cutting behavior:

- Turn off the engine. Hold the unit firmly and wait for the cutting attachment to come to a standstill.
- Check condition and tightness, look for cracks.
- Check sharpness.
- Replace damaged or dull cutting attachments immediately, even if they have only superficial cracks.

Clean grass and plant residue off the cutting attachment mounting at regular intervals – remove any build up of material from the cutting attachment and deflector.

To **reduce the risk of injury**, shut off the engine before replacing the cutting attachment.

Do not continue using or attempt to repair damaged or cracked cutting attachments by welding, straightening or modifying the shape (out of balance).

This may cause parts of the cutting attachment to come off and hit the operator or bystanders at high speed and **result in serious or fatal injuries**.

When using mowing heads

Equip the deflector with the additional components specified in the instruction manual.

Use only the deflector with properly mounted line limiting blade to ensure the mowing lines are automatically trimmed to the approved length.

To **reduce the risk of injury**, always turn off the engine before adjusting the nylon line of manually adjustable mowing heads

Using the unit with over-long nylon cutting lines reduces the motor's operating speed. The clutch then slips continuously and this causes overheating and damage to important components (e.g. clutch, polymer housing components) – and this can increase the risk of injury from the cutting attachment rotating while the engine is idling.

When using metal cutting tools

STIHL recommends the use of original STIHL metal cutting attachments. They are specifically designed to match your model and meet your performance requirements.

Metal cutting attachments rotate at very high speed. The forces that occur act on the machine, the attachment and the material being cut.

Sharpen metal cutting attachments regularly as specified.

Unevenly sharpened metal cutting attachments cause out-of-balance which can impose extremely high loads on the machine and increase the **risk of breakage**.

Dull or improperly sharpened cutting edges can put a higher load on the cutting attachment and increase the **risk of injury** from cracked or broken parts.

Inspect metal cutting attachments for cracks or warping after every contact with hard objects (e.g. stones, rocks, pieces of metal). To **reduce the risk of injury**, remove burrs and other visible build-ups of material (use a file) because they may become detached and be thrown at high speed during operation.

To reduce the above-mentioned risks when using a metal cutting attachment, never use a metal cutting attachment with a diameter larger than specified. It must not be too heavy. It must be manufactured from materials of adequate quality and its geometry must be correct (shape, thickness).

To **reduce the risk of injury**, a metal cutting attachment not manufactured by STIHL must not be heavier, thicker, have a different shape or a diameter larger than the largest metal cutting attachment approved by STIHL for this power tool model.

Vibrations

Prolonged use of the power tool may result in vibration-induced circulation problems in the hands (whitefinger disease).

No general recommendation can be given for the length of usage because it depends on several factors.

The period of usage is prolonged by:

- Hand protection (wearing warm gloves)
- Work breaks

The period of usage is shortened by:

- Any personal tendency to suffer from poor circulation (symptoms: frequently cold fingers, tingling sensations).
- Low outside temperatures.
- The force with which the handles are held (a tight grip restricts circulation).

Continual and regular users should monitor closely the condition of their hands and fingers. If any of the above symptoms appear (e.g. tingling sensation in fingers), seek medical advice.

Maintenance and Repairs

Service the machine regularly. Do not attempt any maintenance or repair work not described in the instruction manual. Have all other work performed by a servicing dealer.

STIHL recommends that you have servicing and repair work carried out exclusively by an authorized STIHL servicing dealer. STIHL dealers are regularly given the opportunity to attend training courses and are supplied with the necessary technical information.

Only use high-quality replacement parts in order to avoid the risk of accidents and damage to the machine. If you have any questions in this respect, consult a servicing dealer.

STIHL recommends the use of original STIHL replacement parts. They are specifically designed to match your model and meet your performance requirements.

To reduce the risk of injury, **always shut off the engine** before carrying out any maintenance or repairs or cleaning the machine. – Exception: Carburetor and idle speed adjustments.

Do not turn the engine over on the starter with the spark plug boot or spark plug removed unless the slide control /

stop switch is on **STOP** or **0** since there is otherwise a **risk of fire** from uncontained sparking.

To reduce the **risk of fire**, do not service or store your machine near open flames.

Check the fuel filler cap for leaks at regular intervals.

Use only a spark plug of the type approved by STIHL and make sure it is in good condition – see "Specifications".

Inspect the ignition lead (insulation in good condition, secure connection).

Check the condition of the muffler.

To reduce the **risk of fire and damage to hearing**, do not operate your machine if the muffler is damaged or missing. –

Do not touch a hot muffler since **burn injury** will result.

Maintenance, replacement, or repair of the emission control devices and systems may be performed by any nonroad engine repair establishment or individual. However, if you make a warranty claim for a component which has not been serviced or maintained properly or if nonapproved replacement parts were used, STIHL may deny coverage.

For any maintenance please refer to the maintenance chart and to the warranty statement near the end of the instruction manual.

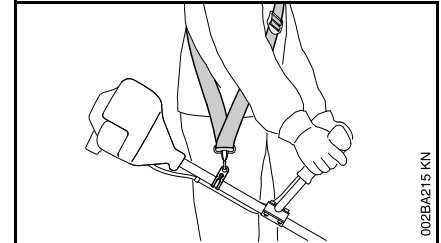
Symbols on Deflectors

An arrow on the deflector shows the correct direction of rotation of the cutting attachments.



Use deflector in combination with mowing heads only. Do not use metal cutting attachments.

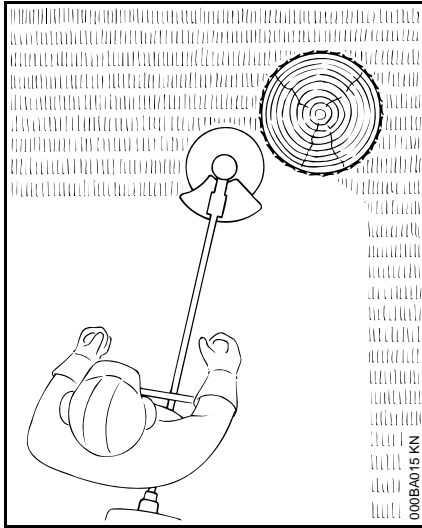
Shoulder strap



- Use a shoulder strap.
- With the engine running, attach the machine to the shoulder strap.

Grass cutting blades must always be used in combination with a shoulder strap.

Mowing Head with Nylon Lines

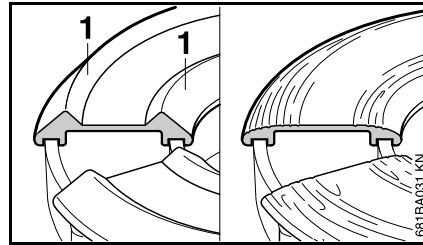


Nylon line achieves a soft cut for edging and trimming around trees, fence posts, etc. – less risk of damaging tree bark.

! To reduce the risk of injury, **never** use steel wire in place of the nylon cutting line.

STIHL FixCut

Check the wear limit marks!

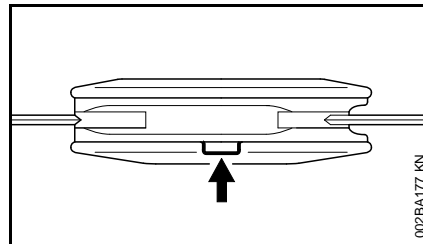


- If the raised moldings (1) on the base of the attachment are worn as shown in the illustration (above right), do not continue using the mowing head. Install a new one. There is otherwise a **risk of injury** from thrown parts of the head.

STIHL Polycut Mowing Head with Polymer Blades

For mowing unobstructed edges of meadows (without posts, fences, trees or similar obstacles).

Check the wear limit marks!

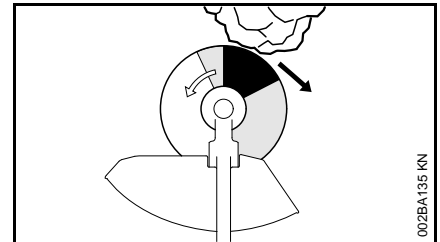


If one of the wear limit marks on the PolyCut mowing head is worn through (arrow): Do not continue using the mowing head. Install a new one. There is otherwise a **risk of injury** from thrown parts of the head.

It is important to follow the maintenance instructions for the Polycut mowing head.

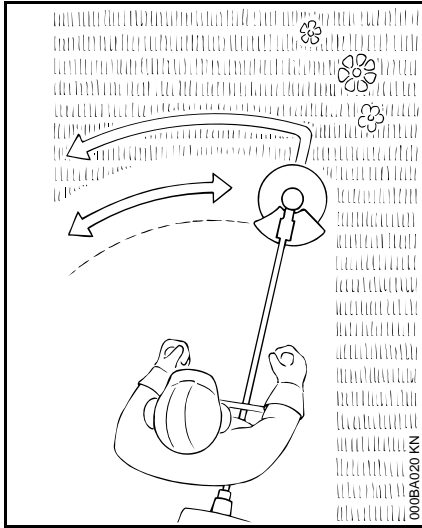
Risk of Kickout (Blade Thrust) with Metal Cutting Blades

When using grass cutting blades there is a risk of kickout when the rotating blade comes into contact with a solid object like a tree trunk, branch, tree stump, rock or similar. The machine is thrown to the right or to the rear – opposite to the blade's direction of rotation.



The risk of kickout is greatest when the black area of the rotating blade comes into contact with a solid object.

Grass Cutting Blade

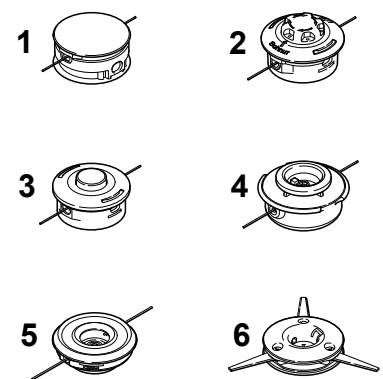
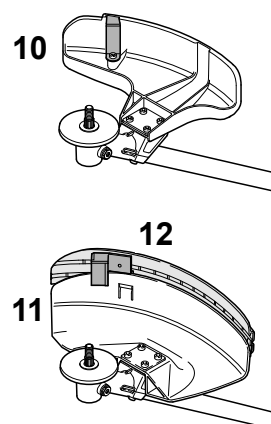
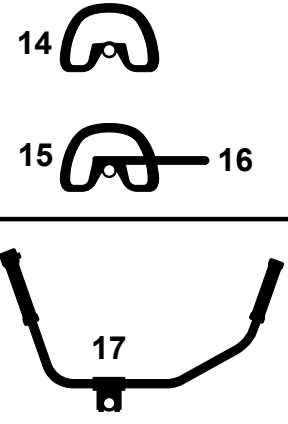
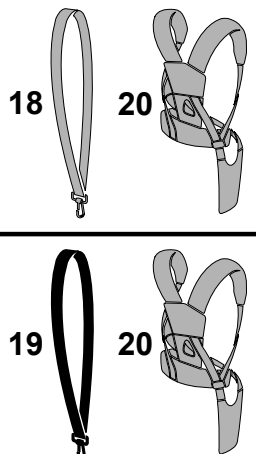
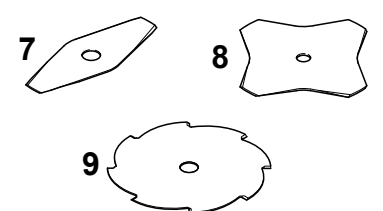
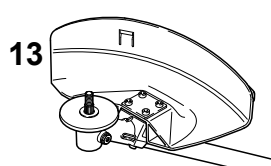
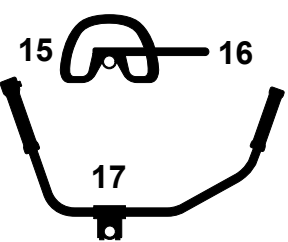
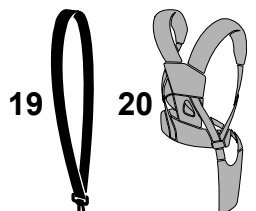


Use for grass and weeds only – sweep the brushcutter in an arc like a scythe.

! Improper use may damage the grass cutting blade – **risk of injury** from thrown parts.

Resharpener the grass cutting blade according to instructions when it has dulled noticeably.

Approved Combinations of Cutting Attachment, Deflector, Handle and Harness

Cutting Attachment	Deflector	Handle	Harness / Shoulder Strap
 <p>1 2 3 4 5 6</p>	 <p>10 11 12</p>	 <p>14 15 16 17</p>	 <p>18 20 19 20</p>
 <p>7 8 9</p>	 <p>13</p>	 <p>15 16 17</p>	 <p>19 20</p>

88 IBA120 KN

Approved Combinations

Select correct combination from the table according to the cutting attachment you intend to use.



For safety reasons only the cutting attachments, deflectors, handles and harnesses/shoulder straps shown in each row of the table may be used together. No other combinations are permitted because of the **risk of accidents**.

Cutting Attachments

Mowing heads

- 1 STIHL SuperCut 20-2
- 2 STIHL AutoCut C 25--2
- 3 STIHL AutoCut 25-2
- 4 STIHL TrimCut 31-2
- 5 STIHL FixCut 25-2


6 STIHL PolyCut 20-3

Metal mowing attachments

7 Grass cutting blade 230-2

8 Grass cutting blade 230-4

9 Grass cutting blade 230-8

 Non-metal grass cutting blades are not approved.

Deflectors

10 Deflector **only** for mowing heads

11 Deflector **with**

12 Skirt and blade for all mowing heads

13 Deflector **without** skirt and blade for all metal mowing attachments

Handles

14 Loop handle

15 Loop handle **with**

16 Barrier bar

17 Bike handle

Harnesses

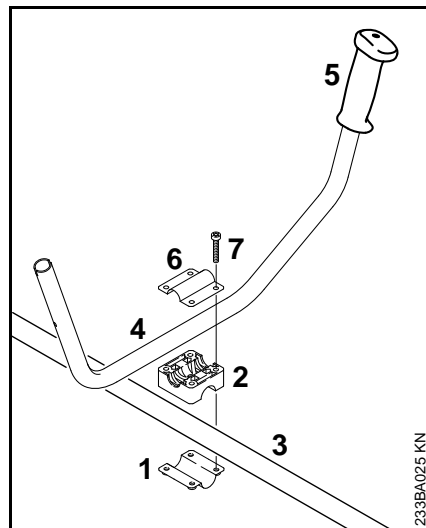
18 Shoulder strap may be used

19 Shoulder strap must be used

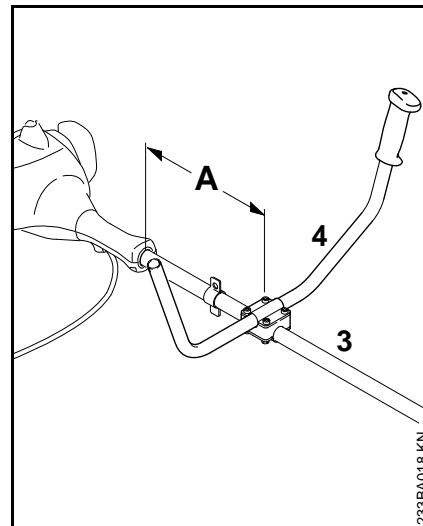
20 Full harness may be used

Mounting the Bike Handle

Mounting the handlebar

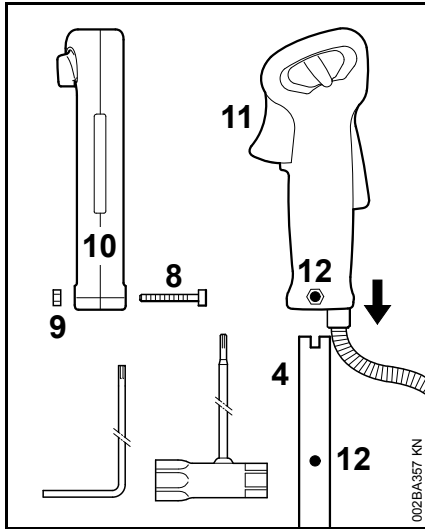


- Position the clamp (1) and handlebar support (2) on the shaft (3)
- Place the handlebar (4) in the handlebar support – the rubber handle (5) must be on the left (viewing direction from engine to handlebar)
- Place the clamp (6) on the handlebar support
- Insert screws (7) through the holes in the parts and screw them into the clamp (6) as far as they will go



- Fasten handlebar (4) at a distance (A) of approx. 15 cm (6 in) ahead of the engine housing on the shaft (3)
- Align the handlebar and tighten the screws

Attaching the control handle

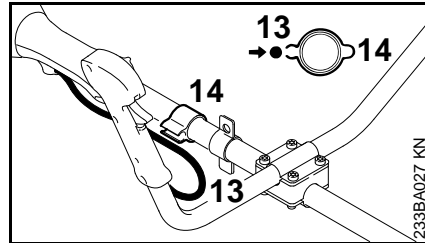


- Unscrew bolt (8) with a combination wrench or Allen wrench – the nut (9) remains in the control handle (10)
- Push the control handle with the throttle trigger (11) facing toward the gearbox onto the handlebar (4) until the holes (12) align
- Screw in the bolt (8) and tighten up

Fasten the throttle cable



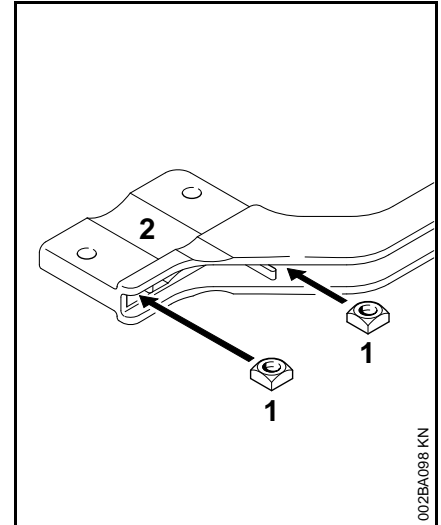
Do not kink the throttle cable or run it in tight radiuses – the throttle trigger must move freely!



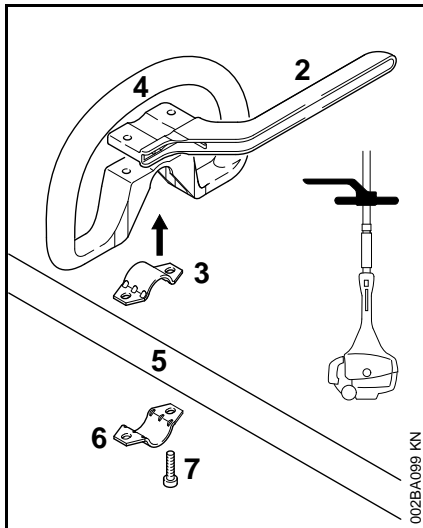
- Press throttle cable (13) into the throttle cable support (14)

Mounting the Loop Handle

Loop handle with barrier bar

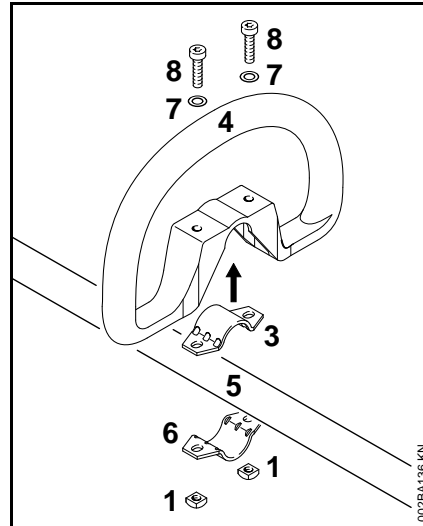


- Fit the square nuts (1) in the barrier bar (2); the holes must line up.



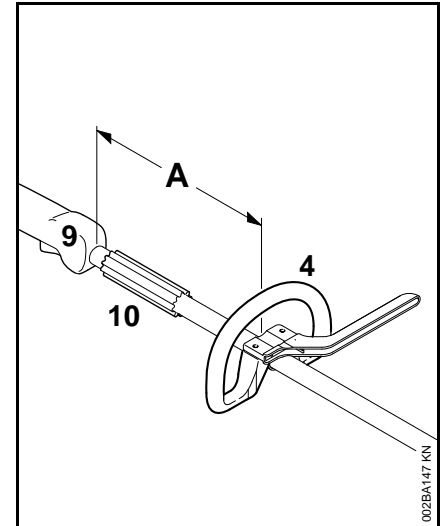
- Fit the clamp (3) in the loop handle (4) and place them both on the drive tube (5).
- Place the clamp (6) in position.
- Place the barrier bar (2) in position as shown.
- Line up the holes.
- Insert the screws (7) and tighten them down moderately against the barrier bar.
- Go to "Securing the loop handle".

Loop handle without barrier bar



- Fit the clamp (3) in the loop handle (4) and place them both on the drive tube (5).
- Place the clamp (6) in position.
- Line up the holes.
- Fit washers (7) on the screws (8) and insert the screws in the holes. Fit the square nuts (1) and screw them down as far as stop.
- Go to "Securing the loop handle".

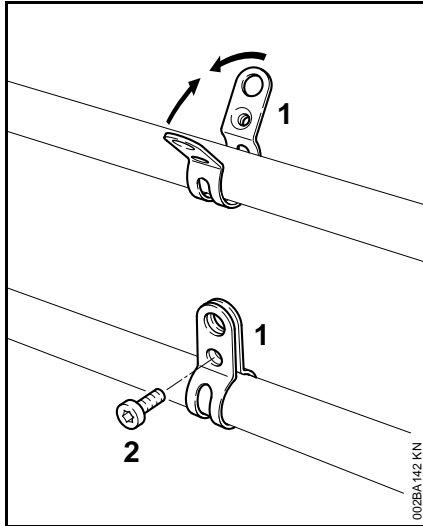
Securing the loop handle



- Secure the loop handle (4) about 20cm/8in (A) forward of the control handle (9).
 - Line up the loop handle.
 - Tighten down the screws firmly – lock the nuts if necessary.
- The sleeve (10) (not fitted on all models) must be between the loop handle and the control handle.

Fitting the Carrying Ring

The carrying ring comes standard with the machine or is available as a special accessory.

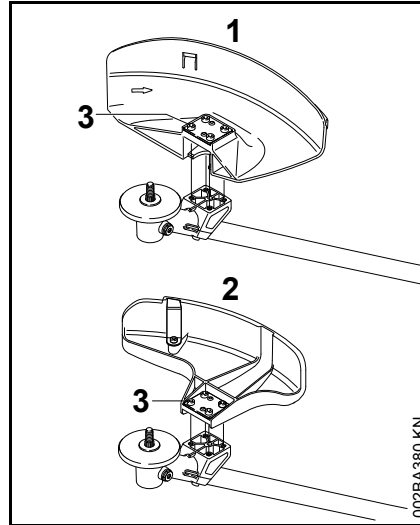


For position of carrying ring see "Main Parts".

- Place the clamp (1) against the drive tube **with the tapped hole on the left** (viewed from engine).
- Squeeze the two ends of the clamp together and hold in that position.
- Insert the M6x14 screw (2).
- Line up the carrying ring.
- Tighten down the screw firmly.

Mounting the Deflector

Mounting the Deflector

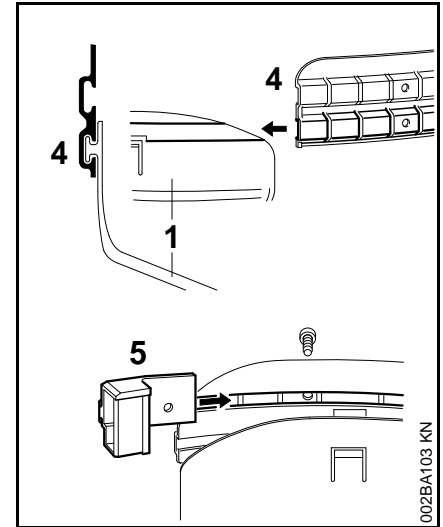


- 1 Deflector for mowing attachments
- 2 Deflector for mowing heads

Deflectors (1) and (2) are both mounted to the gearbox in the same way.

- Place the deflector on the gearbox flange.
- Insert the screws (3) and tighten them down firmly.

Fitting the Skirt and Blade

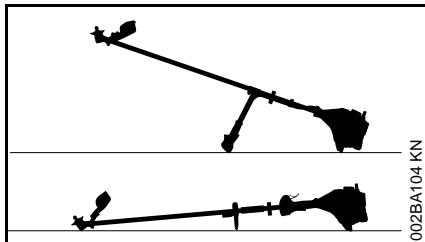


! These parts must be fitted to the deflector (1) when you use a mowing head.

- Slide the lower guide slot of the skirt (4) onto the deflector (1) – it must snap into position.
- Push the blade (5) into the upper guide slot on the skirt and line it up with the first hole.
- Insert the screw and tighten it down firmly.

Mounting the Cutting Attachment

Preparations



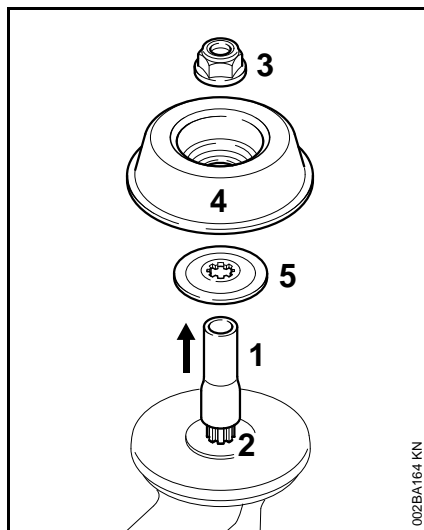
- Lay your brushcutter on its back so that the cutting attachment mounting face is facing up.

Mounting hardware for cutting attachments

The mounting hardware supplied depends on the cutting attachment that comes as original equipment with the new machine.

Mounting hardware is not packed with machine

Only mowing heads can be mounted.



- Pull the hose (1) (protector for shipping) off the shaft (2).
- Go to "Mounting the mowing head".

If you want to mount a metal cutting attachment in place of a mowing head, you will need the following additional parts: Nut (3), rider plate (4) and thrust washer (5) (special accessories).

Mounting hardware is packed with machine

Mowing heads and metal cutting attachments may be mounted.

If the parts are packed with the machine

- Pull the hose (1) (protector for shipping) off the shaft (2).

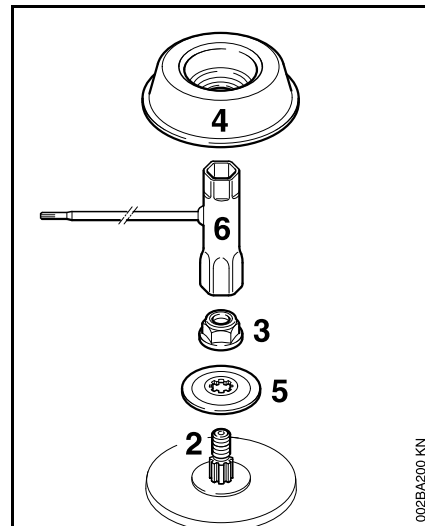
The nut (3), rider plate (4) and thrust washer (5) are in the parts kit supplied with the machine.

- Go to "Mounting the mowing head" or "Mounting the metal cutting attachment".

If the parts are mounted to the gearbox

- Go to "Removing the mounting hardware".

Removing the mounting hardware

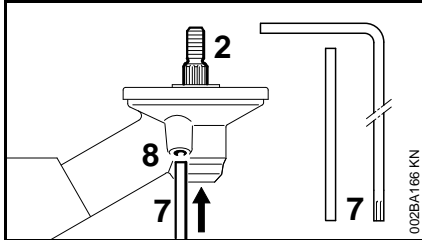


- Block the shaft – see next chapter on "Blocking the output shaft".
- Use the combination wrench (6) – comes standard with machine or is available as special accessory – to unscrew the nut (3) clockwise (left-hand thread) from the shaft (2).
- Pull the thrust washer (5) off the shaft (2).

The rider plate (4) is in the parts kit supplied with the machine.

- Go to "Mounting the mowing head" or "Mounting the metal cutting attachment".

Blocking the output shaft



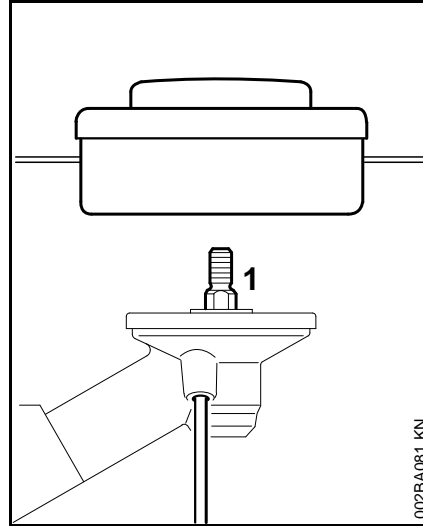
- Insert the stop pin (7) or screwdriver – come standard with machine or are available as special accessories – in the hole (8) in the gearbox as far as stop, and apply slight pressure.
- Rotate the nut or cutting attachment on the shaft (2) until the stop pin slips into position and blocks the shaft.

Mounting the Mowing Head

Keep the instruction sheet for the mowing head in a safe place.

STIHL SuperCut 20-2,
STIHL AutoCut 25-2,
STIHL AutoCut C 25-2,

STIHL TrimCut 31-2,
STIHL FixCut 25-2,
STIHL PolyCut 20-3



- Screw the mowing head counterclockwise on to the shaft (1) as far as stop.
- Block the shaft.
- Tighten down the mowing head.



Remove the tool used to block the shaft.

Removing the Mowing Head

- Block the shaft.

STIHL SuperCut 20-2,
STIHL AutoCut 25-2,
STIHL AutoCut C 25-2,

STIHL TrimCut 31-2,
STIHL FixCut 25-2,
STIHL PolyCut 20-3

- Unscrew the mowing head clockwise.

Adjusting Nylon Line

STIHL SuperCut

Fresh line is advanced automatically if remaining line is still at least **6 cm** long. The blade on the deflector trims surplus line to the correct length.

STIHL AutoCut

- Hold the rotating mowing head above the ground – tap it on the ground once – about **3 cm** fresh line is advanced.

The blade on the deflector trims surplus line to the correct length – avoid tapping the mowing head more than once at a time.

Line feed operates only if **both** lines still have a minimum length of **2.5 cm**.

All other mowing heads

Refer to the instructions supplied with the mowing head.

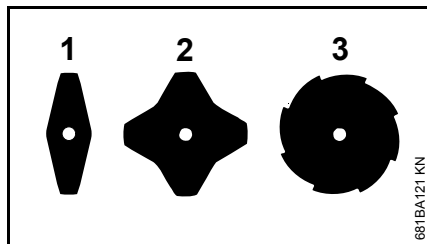


To reduce the risk of injury, always shut off the engine before adjusting the mowing line by hand.


Replacing Nylon Line or Cutting Blades

Refer to the instructions supplied with the mowing head.

Fitting metal cutting attachments



For the grass cutting blades 230-2 (1), 230-4 (2) and 230-8 (3) the attached parts **skirt and blade are not necessary** are not necessary on the mowing tool deflector – see "Mounting the deflector".


 For metal cutting attachments, use a special version of the thrust plate (5, next fig.) – to this end, if necessary, have the machine checked by a servicing dealer.

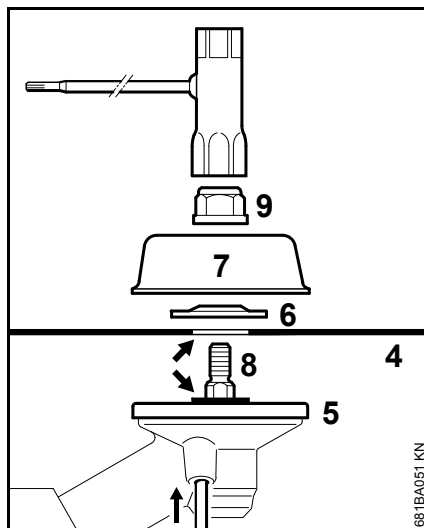
If the machine is supplied already equipped with a metal cutting attachment, then the correct thrust plate (5, next fig.) is already mounted.

- Lay down the trimmer with the mount for the cutting attachment facing upward


With the grass cutting blades (1) and (2), the cutting edges may face in either direction.

With grass cutting blade (3), the cutting edges must face clockwise.


 Observe the arrow for the direction of rotation on the inside of the mowing tool deflector.



- Position the blade (4) on the thrust plate (5).

 The collar (arrow) must engage the hole in the blade.

- Push the thrust plate (6) and rider plate (7) onto the shaft (8)
- Block the shaft and screw the nut (9) counterclockwise onto the shaft and tighten it

 A nut that moves too easily should be replaced.

Removing the metal cutting attachment

- Block the shaft
- Unscrew the nut clockwise
- Remove parts from the shaft – do **not** remove the thrust plate (5) in doing so

Fuel

This engine is certified to operate on unleaded gasoline and with the mix ratio 50:1.

Your engine requires a mixture of high-quality premium gasoline and high-quality two-stroke air-cooled engine oil.

Use premium branded unleaded gasoline with a minimum octane rating of 89 RON.

Note: Models equipped with a **catalytic converter** require **unleaded** gasoline. A few tankfuls of leaded gasoline can reduce the efficiency of the catalytic converter by more than 50%.

Fuel with a lower octane rating may result in preignition (causing "pinging") which is accompanied by an increase in engine temperature. This, in turn, increases the risk of the piston seizure and damage to the engine.

The chemical composition of the fuel is also important. Some fuel additives not only detrimentally affect elastomers (carburetor diaphragms, oil seals, fuel lines etc.), but magnesium castings as well. This could cause running problems or even damage the engine. For this reason it is essential that you use only high-quality fuels!

Fuels with different percentages of ethanol are being offered. Ethanol can affect the running behaviour of the engine and increase the risk of lean seizure.

Gasoline with an ethanol content of more than 10% can cause running problems and major damage in engines with a manually adjustable carburetor and should not be used in such engines.

Engines equipped with M-Tronic can be run on gasoline with an ethanol content of up to 25% (E25).

Use only STIHL two-stroke engine oil or equivalent high-quality two-stroke air-cooled engine oils for mixing.

We recommend STIHL 50:1 two-stroke engine oil since it is specially formulated for use in STIHL engines.

Do not use BIA or TCW (two-stroke water cooled) mix oils!

Use only **STIHL 50:1 heavy-duty engine oil** or an equivalent quality two-stroke engine oil for the fuel mix in models equipped with a **catalytic converter**.

Take care when handling gasoline. Avoid direct contact with the skin and avoid inhaling fuel vapour.

The canister should be kept tightly closed in order to avoid any moisture getting into the mixture.

The fuel tank and the canister in which fuel mix is stored should be cleaned from time to time.

Fuel mix ratio

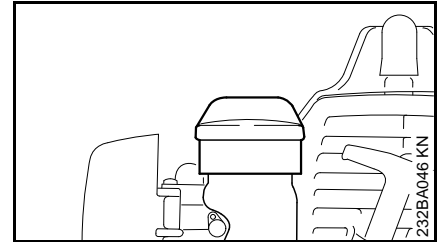
Only mix sufficient fuel for a few days work, not to exceed 3 months of storage. Store in approved safety fuel-canisters only. When mixing, pour oil into the canister first, and then add gasoline.

Examples

Gasoline	Oil (STIHL 50:1 or equivalent high-quality oils)	
liters	liters	(ml)
1	0.02	(20)
5	0.10	(100)
10	0.20	(200)
15	0.30	(300)
20	0.40	(400)
25	0.50	(500)

Dispose of empty mixing-oil canisters only at authorized disposal locations.

Fueling



- Before fueling, clean the filler cap and the area around it to ensure that no dirt falls into the tank.
- Position the machine so that the filler cap is facing up.
- Open the filler cap.

Take care not to spill fuel while fueling and do not overfill the tank. STIHL recommends you use the STIHL filler nozzle (special accessory).

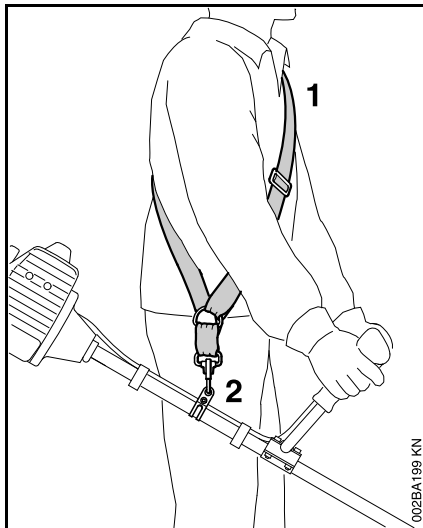
- ⚠ After fueling, tighten down the filler cap as securely as possible by hand.

Fitting the Harness

The type and style of the harness depend on the market.

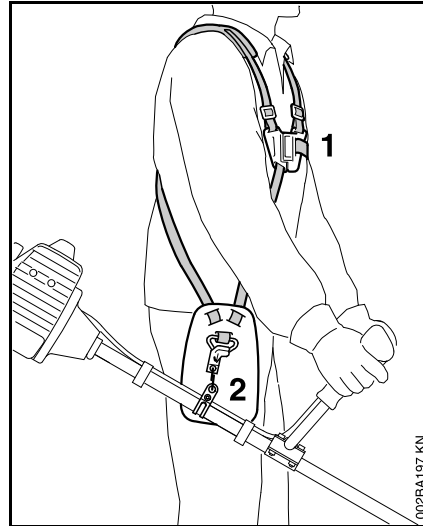
The use of the shoulder strap is described in the chapter on "Approved Combinations of Cutting Attachment, Deflector, Handle and Harness".

Shoulder strap



- Put on the shoulder strap (1).
- Adjust the length of the strap so that the spring hook (2) is about a hand's width below your right hip.
- Balance the trimmer/brushcutter.

Full harness



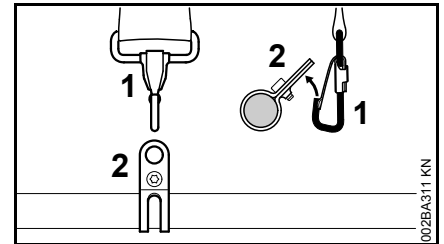
- Put on the full harness (1).
- Adjust the length of the strap so that the spring hook (2) is about a hand's width below your right hip.
- Balance the trimmer/brushcutter.

Balancing the Trimmer/Brushcutter

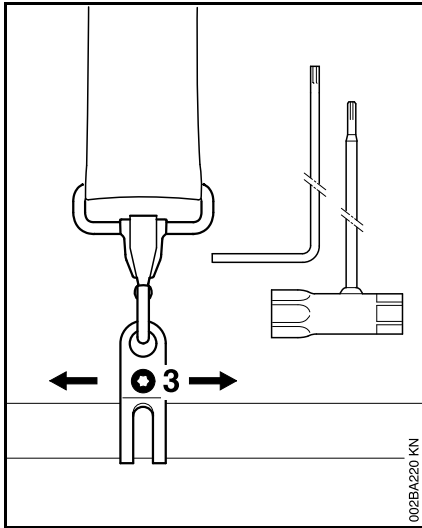
The type and style of the harness and carabiner (spring hook) depend on the market.

The carrying ring is integrated in the control handle on loop-handled units—see "Main Parts". Loop-handled units do not need to be balanced.

Attaching the unit to the harness

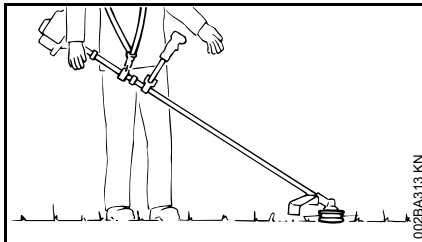


- Attach the carabiner (1) to the carrying ring (2) on the drive tube.



- Loosen the screw (3).

Floating position



- Mowing heads and grass cutting blades should just touch the ground.

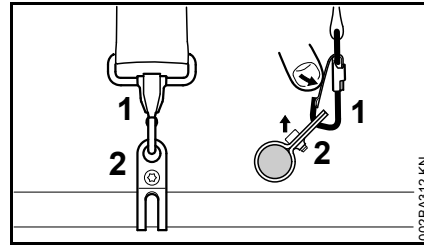
Proceed as follows to adjust the floating position:

- Move the carrying ring up or down the drive tube – tighten the screw moderately – let the unit go and wait until it is balanced – then check the floating position.

When the correct floating position has been reached:

- Tighten down the screw on the carrying ring firmly.

Detaching the unit from the harness

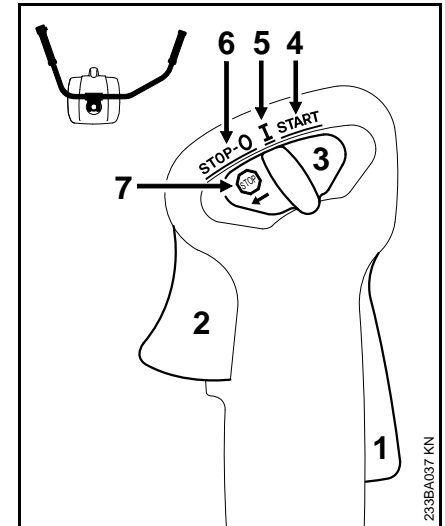


- Press down the bar on the carabiner (1) and pull the carrying ring (2) out of the carabiner.

Starting / Stopping the Engine

Version with bike handle

Controls





- 1 Throttle trigger lockout
- 2 Throttle trigger
- 3 Slide control

Positions of slide control

- 4 **START** – the ignition is switched on – the engine can start
- 5 **I** – normal run position – the engine is running or can start
- 6 **STOP-0** – engine off – the ignition is switched off

Symbol on slide control

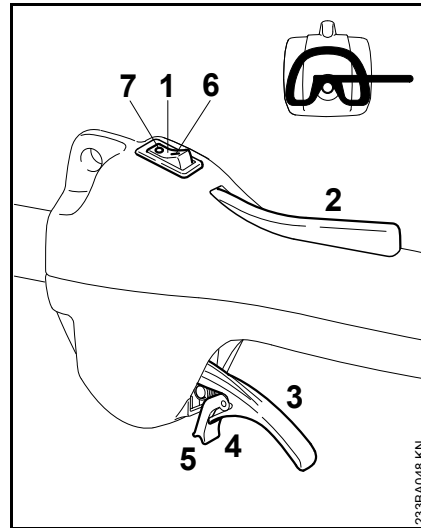
- 7  – stop symbol and arrow. To stop the engine, push the slide control in the direction of the arrow on the stop symbol () to **STOP-0**.

Starting

- Press down the trigger lockout lever and squeeze the throttle trigger.
- and hold them in that position.
- Move the slide control to **START** and hold it there.
- Now release the throttle trigger, slide control and trigger lockout in that order. This is the **starting throttle position**.
- Go to "All versions".

Version with loop handle

Controls

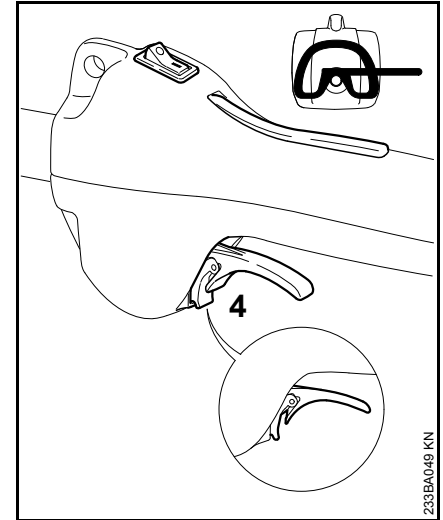


- 1 Stop switch
- 2 Throttle trigger lockout
- 3 Throttle trigger
- 4 Tongue of throttle trigger
- 5 Catch

Positions of stop switch

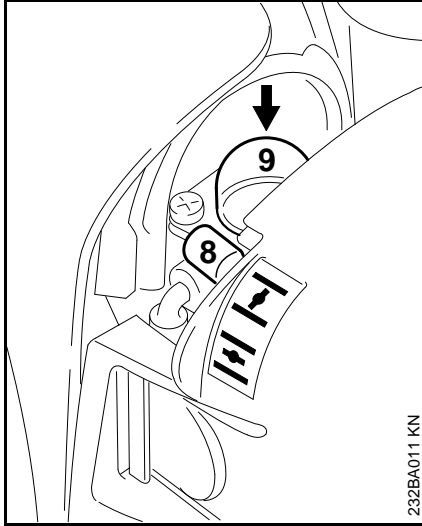
- 6 **I** – normal run position – the engine can start or is running
- 7 **0** – Stop – engine off – the ignition is switched off



Starting



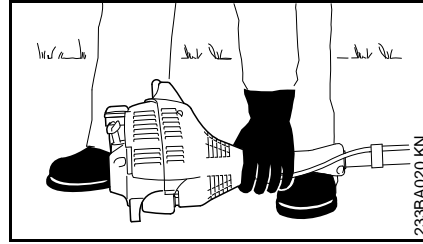
- Move the stop switch to **I**.
- Press down the throttle trigger lockout and hold it there.
- Squeeze the throttle trigger until the catch on the tongue (4) can be engaged on the housing.
- Now release the throttle trigger, tongue and trigger lockout in that order. This is the **starting throttle position**.
- Go to "All versions".

All versions




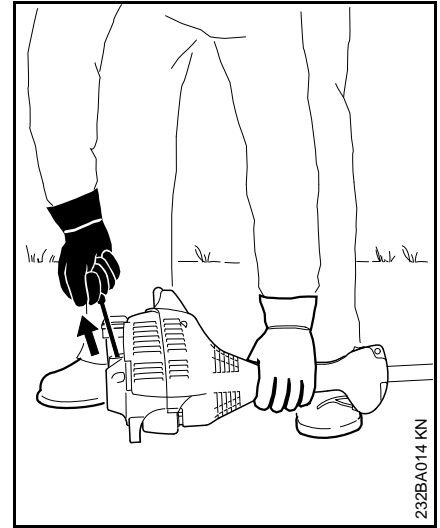
- Set the choke lever (8) to
 -  if the engine is cold
 -  for warm start – also use this position if the engine has been running but is still cold.
- Press the fuel pump bulb (9) at least five times – even if the bulb is already filled with fuel.

Starting



- Place the unit on the ground: It must rest securely on the engine support and the deflector. Check that the cutting attachment is not touching the ground or any other obstacles.
- Make sure you have a safe and secure footing.
- Hold the unit with your left hand and press it down **firmly** – your thumb should be under the fan housing.


 Do not stand or kneel on the drive tube.



- Hold the starter grip with your right hand.


Version without Easy2Start

- Pull the starter grip slowly until you feel it engage and then give it a brisk strong pull.

 Do not pull out the starter rope all the way – **it might otherwise break.**

Version with Easy2Start

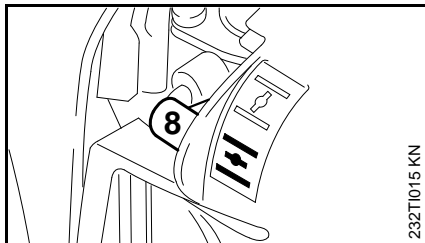
- Pull the starter grip slowly until you feel it engage and then pull it out slowly and steadily.

 Do not pull out the starter rope all the way – **it might otherwise break.**

Both versions

- Do not let the starter grip snap back. Guide it slowly back into the housing so that the starter rope can rewind properly.
- Continue cranking.

When the engine begins to fire:



- After no more than **five** pulls, move the choke lever (8) to **I**.
- Continue cranking.

As soon as the engine runs


Version with **bike handle**

- Blip the throttle trigger – the engine settles down to idle speed.

Version with **loop handle**

- Squeeze the throttle trigger to disengage the tongue – the engine will settle down to idle speed.

Your machine is now ready for operation.

 Make sure the carburetor is correctly adjusted. The cutting attachment must not rotate when the engine is idling.

Stopping the engine

- Move the slide control in direction of the arrow (STOP) to **STOP-0** or the stop switch to **STOP / 0**.

If the engine does not start

Choke lever

If you did not move the choke lever to **I** quickly enough after the engine began to fire, the combustion chamber is flooded.

- Set the choke lever to **I**.
- Set the slide control, trigger lockout lever and throttle trigger to the **starting throttle position**.
- Start the engine by pulling the starter rope briskly – 10 to 20 pulls may be necessary.

If the engine still does not start

- Move the slide control or stop switch to **STOP / 0**.
- Remove the spark plug – see "Spark Plug".
- Dry the spark plug.
- Crank the engine several times with the starter to clear the combustion chamber.
- Refit the spark plug – see "Spark Plug".
- Move the slide control or stop switch to **I / I**.
- Set the choke lever to **I** – even if the engine is cold.
- Now start the engine.

Fuel tank run until completely dry

- After refueling, press the fuel pump bulb at least five times – even if the bulb is filled with fuel.
- Set the choke lever to suit the engine temperature.
- Start the engine.

Operating Instructions

During break-in period

A factory-new machine should not be run at high revs (full throttle off load) for the first three tank fillings. This avoids unnecessary high loads during the break-in period. As all moving parts have to bed in during the break-in period, the frictional resistances in the engine are greater during this period. The engine develops its maximum power after about 5 to 15 tank fillings.

During Operation

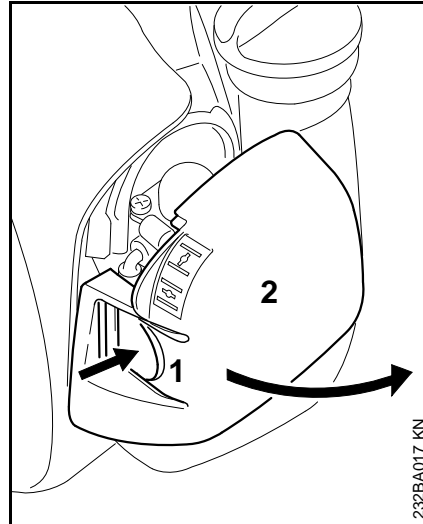
After a long period of full throttle operation, allow the engine to run for a short while at idle speed so that engine heat can be dissipated by the flow of cooling air. This protects engine-mounted components (ignition, carburetor) from thermal overload.

After Finishing Work

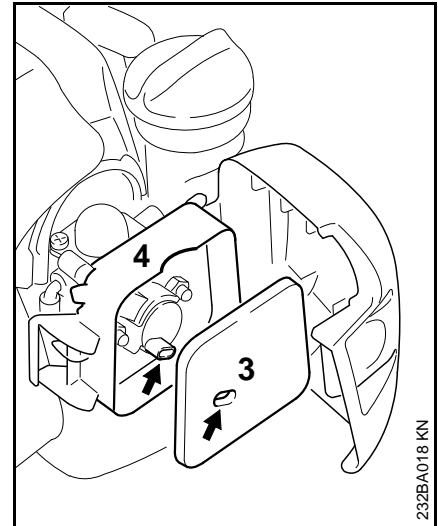
Storing for a short period: Wait for the engine to cool down. Empty the fuel tank and keep the machine in a dry place, well away from sources of ignition, until you need it again. For longer out-of-service periods – see "Storing the Machine".

Cleaning the Air Filter

If there is a noticeable loss of engine power



- Set the choke lever to **I**.
- Press in the tab (1) and swing the filter cover (2) down.
- Clean away loose dirt from around the filter.



- Remove the felt element (3) from the filter housing (4) and replace it – knock out or blow out as a temporary measure – do not wash.
- Replace damaged parts.
- Fit the felt element (3) in the filter housing (4).
- Close the filter cover so that it snaps into position.

Engine Management

Exhaust emissions are controlled by the design of the fundamental engine parameters and components (e.g. carburation, ignition, timing and valve or port timing) without the addition of any major hardware.

Adjusting the Carburetor

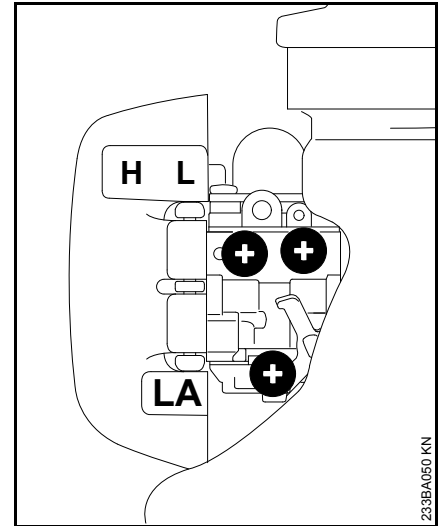
The carburetor comes from the factory with a standard setting.

This setting provides an optimum fuel-air mixture under most operating conditions.

With this carburetor it is only possible to adjust the high speed screw within fine limits.

Standard Setting

- Stopping the Engine
- Mounting the cutting attachment
- Check the air filter and replace it if necessary.
- Have the spark arrestor checked – see “Inspection and Maintenance by Dealer”



- Turn high speed screw (H) counterclockwise as far as stop (no more than 3/4 turn).
- Turn the low speed screw (L) carefully clockwise as far as stop, then turn it back 1.5 turns.
- Start and warm up the engine if necessary.
- Adjust idle speed with the idle speed screw (LA) so that the cutting attachment does not rotate.


Fine Tuning

A slight correction of the setting of the high speed screw (H) may be necessary if engine power is not satisfactory when operating at high altitude, sea level or after changing the cutting attachment.

Rule of thumb:

Turn the high speed screw (H) about one quarter of a turn for every 1000 m (3300 ft) change in altitude.

Conditions for adjustment

 Adjust the high speed screw (H) only if you are using a mowing head, making sure the cutting lines are full length (as far as the line limiter blade on the deflector).

If a metal cutting attachment is mounted, use the standard setting and adjust the high speed screw (H) as described above under "Rule of thumb".

- Carry out the standard setting.
- Start the engine and, with the mowing head mounted, warm it up for about 3 minutes.
- Open the throttle wide.

At high altitude

- Turn the high speed screw (H) clockwise (leaner), no further than stop, until there is no further noticeable increase in engine speed.

At sea level

- Turn the high speed screw (H) counterclockwise (richer), no further than stop, until there is no further noticeable increase in engine speed.

It is possible that maximum engine speed may be reached with the standard setting in each case.

Aadjusting Idle Speed

It is usually necessary to change the setting of the idle speed screw (LA) after every correction to the low speed screw (L).


- Warm up the engine.

Engine stops while idling

- Turn the idle speed screw (LA) slowly clockwise until the engine runs smoothly – the cutting attachment must not turn.

Cutting attachment rotates when engine is idling

- Turn the idle speed screw (LA) counterclockwise until the cutting attachment stops moving and then rotate the screw another 1/2 to 1 turn in the same direction.

 If the cutting attachment continues to run when the engine is idling, have your machine checked and repaired by your servicing dealer.

Erratic idling behavior, engine stops even though setting of LA-screw has been corrected, poor acceleration

Idle setting is too lean:

- Idle setting is too lean: Rotate the low speed screw (L) about 1/4 turn counterclockwise until the engine runs and accelerates smoothly.

Erratic idling behavior

Idle setting is too rich

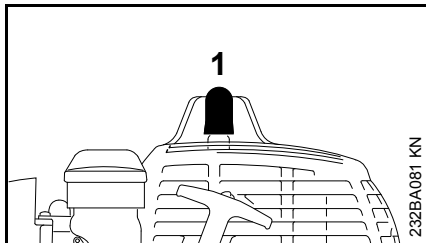
- Rotate the low speed screw (L) about 1/4 turn clockwise until the engine runs and accelerates smoothly.

Spark Plug

- If the engine is down on power, difficult to start or runs poorly at idle speed, first check the spark plug.
- Fit a new spark plug after about 100 operating hours – or sooner if the electrodes are badly eroded. Install only suppressed spark plugs of the type approved by STIHL – see "Specifications".

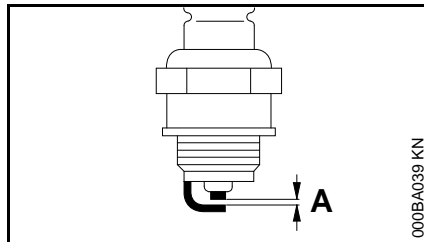
Removing the Spark Plug

- Move the stop switch to 0.



- Pull off the spark plug boot (1).
- Unscrew the spark plug.

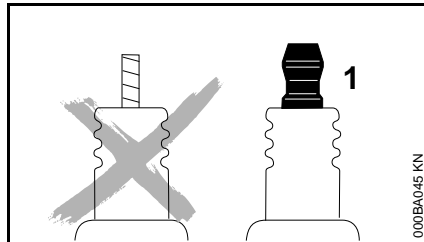
Checking the spark plug



- Clean dirty spark plug.
- Check electrode gap (A) and readjust if necessary – see "Specifications".
- Rectify the problems which have caused fouling of the spark plug.

Possible causes are:

- Too much oil in fuel mix.
- Dirty air filter.
- Unfavorable running conditions.



! If the spark plug comes with a detachable adapter nut (1), screw the adapter onto the thread and tighten it down **firmly** to reduce the **risk of arcing and fire**.

Installing the spark plug

- Screw home the spark plug, fit the boot and press it down firmly.

Engine Running Behavior

If engine running behavior is unsatisfactory even though the air filter is clean and the carburetor is properly adjusted, the cause may be the muffler.

Have the muffler checked for contamination (carbonization) by your servicing dealer.

STIHL recommends that you have servicing and repair work carried out exclusively by an authorized STIHL servicing dealer.

Rewind Starter

To help prolong the wear life of the starter rope, observe the following points:

- Pull the starter rope only in the direction specified.
- Do not pull the rope over the edge of the guide bushing.
- Do not pull out the rope more than specified.
- Do not allow the starter grip to snap back, guide it back into the housing slowly – see chapter on "Starting / Stopping the Engine."

Have a damaged starter rope replaced by your dealer before it breaks completely. STIHL recommends that you have servicing and repair work carried out exclusively by an authorized STIHL servicing dealer.

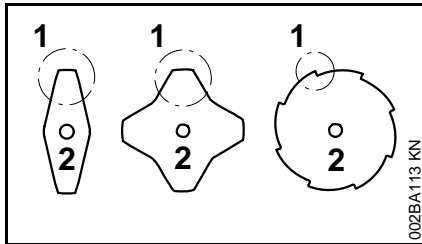
Storing the Machine

For periods of 3 months or longer

- Drain and clean the fuel tank in a well ventilated area.
- Dispose of fuel properly in accordance with local environmental requirements.
- Run the engine until the carburetor is dry – this helps prevent the carburetor diaphragms sticking together.
- Remove, clean and inspect the cutting attachment.
- Thoroughly clean the machine – pay special attention to the cylinder fins and air filter.
- Store the machine in a dry and secure location – out of the reach of children and other unauthorized persons.

Sharpening Metal Cutting Blades

- Use a sharpening file (see "Special Accessories") to sharpen dull cutting attachments. In case of more serious wear or nicks: Resharpener with a grinder or have the work done by a dealer – STIHL recommends a STIHL servicing dealer.
- Resharpener frequently, take away as little material as possible: two or three strokes of the file are usually enough.



- Resharpener the cutters (1) uniformly – do not alter the contour or the parent blade (2) in any way.

See cutting attachment packaging for additional sharpening instructions.

Balancing

- After resharpening about 5 times, check the cutting attachment for out-of-balance on a STIHL balancer – see "Special Accessories" – or have it checked by a dealer and re-balanced as necessary – STIHL recommends a STIHL servicing dealer.

Inspections and Maintenance by Dealer

Maintenance Work

STIHL recommends that you have servicing and repair work carried out exclusively by an authorized STIHL servicing dealer.

Fuel Pickup Body in Tank

- Have the pickup body in the fuel tank replaced every year.

Spark Arrestor in Muffler

- If the engine is down on power, have the spark arrestor in the muffler checked. The spark arrestor is not installed in all markets

Lubricating the Gearbox

- Have the grease level in the gearbox checked regularly – about every 25 hours of operation.

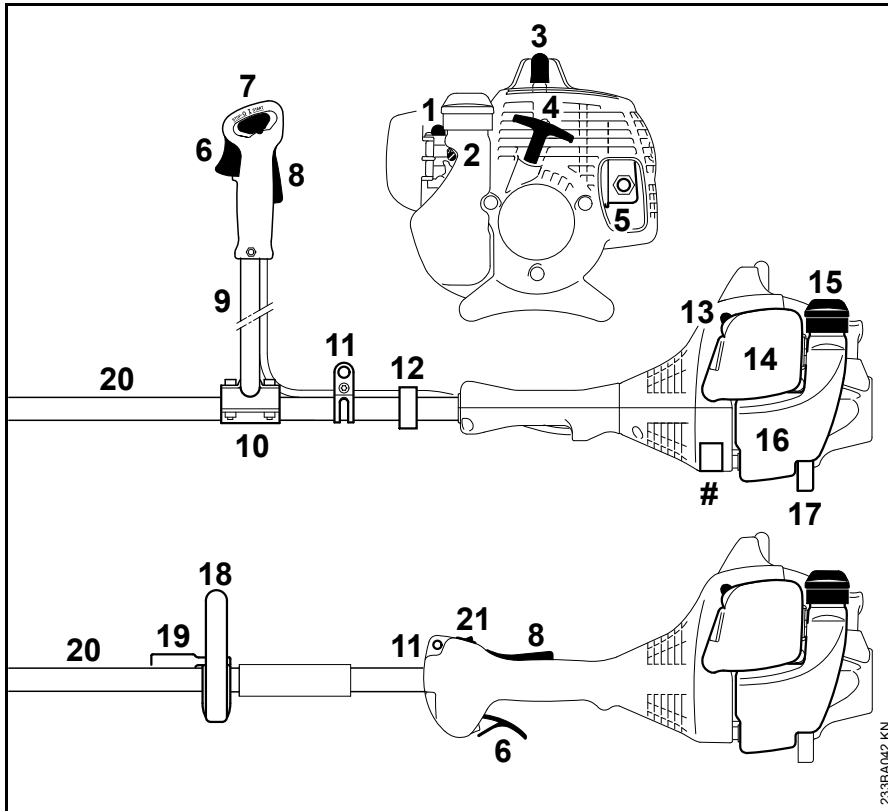
Maintenance and Care

The following intervals apply to normal operating conditions only. If your daily working time is longer or operating conditions are difficult (very dusty work area, etc.), shorten the specified intervals accordingly.		before starting work	after finishing work or daily	after each refueling stop	weekly	monthly	every 12 months	if problem	if damaged	if required
Complete machine	Visual inspection (condition, leaks)	X		X						
	Clean		X							
Control handle	Check operation	X		X						
Air filter	Clean							X		X
	Replace								X	
Pickup body in fuel tank	Check							X		
	Have replaced by dealer ¹⁾					X			X	X
Fuel tank	Clean							X		X
Carburetor	Check idle adjustment – the cutting attachment must not turn	X		X						
	Readjust idle speed									X
Spark plug	Readjust electrode gap							X		
	Replace after every 100 operating hours									
Cooling inlets	Visual Inspection		X							
	Clean									X
Spark Arrestor in Muffler	Have checked by dealer ¹⁾		X					X		
	Have cleaned or replaced by servicing dealer ¹⁾								X	X
All accessible screws and nuts (not adjusting screws)	Retighten									X

The following intervals apply to normal operating conditions only. If your daily working time is longer or operating conditions are difficult (very dusty work area, etc.), shorten the specified intervals accordingly.		before starting work	after finishing work or daily	after each refueling stop	weekly	monthly	every 12 months	if problem	if damaged	if required
Cutting Attachment	Visual Inspection	X		X						
	Replace								X	
	Check tightness	X		X						
Metal cutting attachment	Sharpen	X								X
Safety labels	Replace								X	

¹⁾ STIHL recommends a STIHL servicing dealer.

Main Parts



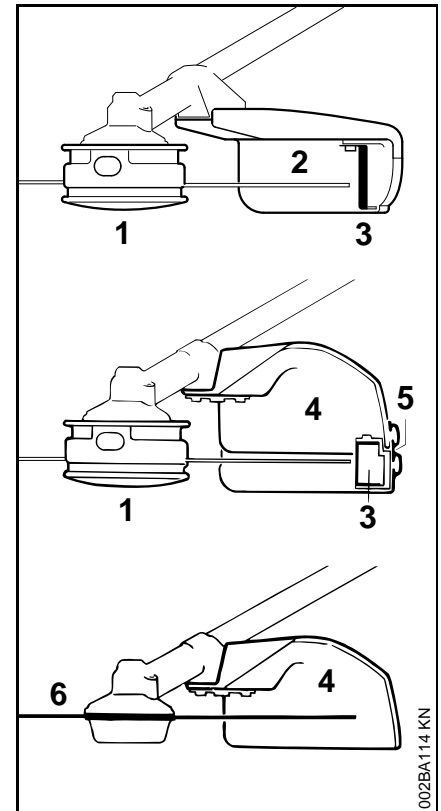
- 1 Fuel Pump
- 2 Carburetor Adjusting Screws
- 3 Spark Plug Boot
- 4 Starter Grip
- 5 Muffler with Spark Arresting Screen
- 6 Throttle Trigger
- 7 Slide Control
- 8 Throttle Trigger Lockout
- 9 Bike Handle
- 10 Handle Support
- 11 Carrying Ring
- 12 Throttle Cable Retainer
- 13 Choke Lever
- 14 Air Filter Cover
- 15 Fuel Filler Cap
- 16 Fuel Tank
- 17 Machine Support
- 18 Loop Handle
- 19 Barrier Bar
- 20 Drive Tube
- 21 Stop Switch
- # Serial Number

233BA042 KN

Definitions

- 1 Fuel Pump**
Provides additional fuel feed for a cold start.
- 2 Carburetor Adjusting Screws**
For tuning the carburetor.
- 3 Spark Plug Boot**
Connects the spark plug with the ignition lead.
- 4 Starter Grip**
The grip of the pull starter, for starting the engine.
- 5 Muffler with Spark Arresting Screen**
Muffler reduces engine exhaust noise and diverts exhaust gases away from operator. Spark arresting screen is designed to reduce the risk of fire.
- 6 Throttle Trigger**
Controls the speed of the engine.
- 7 Slide Control**
For starting throttle, run and stop. Keeps the choke partially open during starting and switches off the ignition to stop the engine.
- 8 Throttle Trigger Lockout**
Must be depressed before the throttle trigger can be activated.
- 9 Bike Handle**
For easy control of the machine with both hands during cutting work.
- 10 Handle Support**
Connects the shaft and bike handle.

- 11 Carrying Ring**
Connects the trimmer/brushcutter to the harness.
- 12 Throttle Cable Retainer**
Secures the throttle cable to the drive tube.
- 13 Choke Lever**
Eases engine starting by enriching mixture.
- 14 Air Filter Cover**
Covers and protects the air filter element.
- 15 Fuel Filler Cap**
For closing the fuel tank.
- 16 Fuel Tank**
For fuel and oil mixture.
- 17 Machine Support**
For resting machine on the ground.
- 18 Loop Handle**
For easy control of machine during cutting work.
- 19 Barrier Bar**
Helps keep user's feet and legs clear of the cutting attachment.
- 20 Drive Tube**
Encloses and protects the drive shaft between the engine and gearbox.
- 21 Stop Switch**
Switches the engine's ignition off and stops the engine.



- 1** Mowing Head
- 2** Deflector for Mowing Heads
- 3** Line Limiting Blade
- 4** Deflector with Skirt for all Mowing Attachments
- 5** Skirt
- 6** Metal Mowing Tool

Definitions

1 Mowing Head

The cutting attachment, i. e. mowing head, for different purposes.

2 Deflector for Mowing Heads

The deflector is designed to reduce the risk of injury from foreign objects flung backwards toward the operator by the cutting attachment and from contact with the cutting attachment.

3 Line Limiting blade

Metal blade at the deflector in order to keep the line of the mowing head at the proper length.

4 Deflector with Skirt for all Mowing Attachments

The deflector is designed to reduce the risk of injury from foreign objects flung backwards toward the operator by the cutting attachment and from contact with the cutting attachment. Is not designed to contain fragmented metal blades.

5 Skirt

The skirt at the bottom of the deflector must be utilized as described in the chapter "Mounting the Deflector".

6 Metal Mowing Tool

The cutting attachment, i. e. blade, made from metal for different purposes.

Specifications

EPA / CEPA

The Emission Compliance Period referred to on the Emissions Compliance Label indicates the number of operating hours for which the engine has been shown to meet Federal emission requirements.

Category

A = 300 hours

B = 125 hours

C = 50 hours

Engine

Single cylinder two-stroke engine

Displacement: 27.2 cm³

Bore: 34 mm

Stroke: 30 mm

Engine power to ISO 8893: 0.75 kW (1 HP) at 7,000 rpm

Idle speed: 2,800 rpm

Cut-off speed (rated): 9,500 rpm

Max. output shaft speed (cutting attachment): 7,700 rpm

Ignition System

Electronic magneto ignition

Spark plug (resistor type): Bosch WSR 6 F, NGK BPMR 7 A

Electrode gap: 0.5 mm

This spark ignition system meets all requirements of the Canadian Interference-Causing Equipment Regulations ICES-002.

Fuel System

All position diaphragm carburetor with integral fuel pump

Fuel tank capacity: 0.33 l

Weight

dry, without cutting attachment and deflector

FS 55: 5.0 kg

FS 55 C with ErgoStart: 5.2 kg

FS 55 R: 4.8 kg

FS 55 RC with ErgoStart: 5.0 kg

Special Accessories

Cutting attachments

Mowing heads

- 1 Mowing head STIHL SuperCut 20-2
- 2 Mowing head STIHL AutoCut C 25-2
- 3 Mowing head STIHL AutoCut 25-2
- 4 Mowing head STIHL TrimCut 31-2
- 5 Mowing head STIHL FixCut 25-2
- 6 Mowing head STIHL PolyCut 20-3

Metal cutting attachments

- 7 Grass cutting blade 230-2
- 8 Grass cutting blade 230-4
- 9 Grass cutting blade 230-8



The cutting attachments may only be used in accordance with the instructions in the chapter "Selecting the cutting attachment".

Special accessories for cutting attachments

- Mowing line for mowing heads, for Items 1 – 6
- Spool with mowing line, for Items 1 – 4
- Plastic blades, set of 12, for Item 6
- Transport guard for Items 7 – 9

Sharpening aids for metal cutting attachments

- Flat sharpening files for Items 7 – 9
- STIHL balancer for Items 7 – 9

Fasteners for metal cutting attachments

- Thrust plate
- Thrust washer
- Rider plate
- Nut

Other special accessories

- Safety glasses
- Barrier bar
- Shoulder strap
- Full harness
- Combination wrench
- Locking pin
- Allen wrench
- Carburetor screwdriver
- STIHL ElastoStart (starter rope with grip) for machines without ErgoStart

Ask your STIHL dealer for current information on this and other special accessories.


Maintenance and Repairs

Users of this machine may only carry out the maintenance and service work described in this user manual. All other repairs must be carried out by a servicing dealer.

STIHL recommends that you have servicing and repair work carried out exclusively by an authorized STIHL servicing dealer. STIHL dealers are regularly given the opportunity to attend training courses and are supplied with the necessary technical information.

When repairing the machine, only use replacement parts which have been approved by STIHL for this power tool or are technically identical. Only use high-quality replacement parts in order to avoid the risk of accidents and damage to the machine.

STIHL recommends the use of original STIHL replacement parts.

Original STIHL parts can be identified by the STIHL part number, the **STIHL** logo and the STIHL parts symbol  (the symbol may appear alone on small parts).

STIHL Limited Emission Control Warranty Statement

This statement is given voluntarily, based on the MOU (Memorandum of Understanding) as agreed in April 1999 between Environmental Canada and STIHL Limited

Your Warranty Rights and Obligations

STIHL Limited is pleased to explain the Emission Control System Warranty on your equipment type engine. In Canada new 1999 and later model year small off-road equipment engines must be designed, built and equipped, at the time of sale, to meet the U.S. EPA regulations for small non road engines. The equipment engine must be free from defects in materials and workmanship which cause it to fail to conform with U.S. EPA standards for the first two years of engine use from the date of sale to the ultimate purchaser.

STIHL Limited must warrant the emission control system on your small off-road engine for the period of time listed below provided there has been no abuse, neglect or improper maintenance of your small off-road equipment engine.

Your emission control system includes parts such as the carburetor and the ignition system. Also included may be hoses, and connectors and other emission-related assemblies.

Where a warrantable condition exists, STIHL Limited will repair your small off-road equipment engine at no cost to you,

including diagnosis (if the diagnostic work is performed at an authorized dealer), parts, and labor.

Manufacturer's Warranty Coverage

In Canada 1999 and later model year small off-road equipment engines are warranted for two years. If any emission-related part on your engine is defective, the part will be repaired or replaced by STIHL Limited free of charge.

Owner's Warranty Responsibilities:

As the small off-road equipment engine owner, you are responsible for the performance of the required maintenance listed in your instruction manual. STIHL Limited recommends that you retain all receipts covering maintenance on your small off-road equipment engine, but STIHL Limited cannot deny warranty solely for the lack of receipts or for your failure to ensure the performance of all scheduled maintenance.

Any replacement part or service that is equivalent in performance and durability may be used in non-warranty maintenance or repairs, and shall not reduce the warranty obligations of the engine manufacturer.

As the small off-road equipment engine owner, you should be aware, however, that STIHL Limited may deny you warranty coverage if your small off-road equipment engine or a part has failed due to abuse, neglect, improper maintenance or unapproved modifications.

You are responsible for presenting your small off-road equipment engine to a STIHL service center as soon as a

problem exists. The warranty repairs will be completed in a reasonable amount of time, not to exceed 30 days.

If you have any questions regarding your warranty rights and responsibilities, please contact a STIHL customer service representative at www.stihl.ca

or you can write to:

STIHL Ltd.,
1515 Sise Road
Box 5666
CA-LONDON ONTARIO; N6A 4L6

Coverage by STIHL Limited

STIHL Limited warrants to the ultimate purchaser and each subsequent purchaser that your small off-road equipment engine will be designed, built and equipped, at the time of sale, to meet all applicable regulations. STIHL Limited also warrants to the initial purchaser and each subsequent purchaser that your engine is free from defects in materials and workmanship which cause the engine to fail to conform with applicable regulations for a period of two years.

Warranty Period

The warranty period will begin on the date the utility equipment engine is purchased by the initial purchaser and you have signed and sent back the warranty card to STIHL Ltd. If any emission-related part on your engine is defective, the part will be replaced by STIHL Limited at no cost to the owner. Any warranted part which is not scheduled for replacement as required maintenance, or which is scheduled only for regular inspection to the effect of "repair or replace as necessary" will be warranted for the warranty period. Any

warranted part which is scheduled for replacement as required maintenance will be warranted for the period of time up to the first scheduled replacement point for that part.

Diagnosis

You, as the owner, shall not be charged for diagnostic labor which leads to the determination that a warranted part is defective. However, if you claim warranty for a component and the machine is tested as non-defective, STIHL Limited will charge you for the cost of the emission test. Mechanical diagnostic work will be performed at an authorized STIHL servicing dealer. Emission test may be performed either at

STIHL Incorporated,
536 Viking Drive, P.O. Box 2015,
Virginia Beach, VA 23452

or at any independent test laboratory.

Warranty Work

STIHL Limited shall remedy warranty defects at any authorized STIHL servicing dealer or warranty station. Any such work shall be free of charge to the owner if it is determined that a warranted part is defective. Any manufacturer-approved or equivalent replacement part may be used for any warranty maintenance or repairs on emission-related parts and must be provided without charge to the owner. STIHL Limited is liable for damages to other engine components caused by the failure of a warranted part still under warranty.

The following list specifically defines the emission-related warranted parts:

- Air Filter
- Carburetor
- Fuel Pump
- Choke (Cold Start Enrichment System)
- Control Linkages
- Intake Manifold
- Magneto or Electronic Ignition System (Ignition Module)
- Spark Plug
- Catalytic Converter (if applicable)
- Fuel Tank
- Fuel Cap
- Fuel Line
- Fuel Line Fittings
- Clamps
- Fasteners

Where to make a Claim for Warranty Service

Bring the product to any authorized STIHL servicing dealer and present the signed warranty card.

Maintenance Requirements

The maintenance instructions in this manual are based on the application of the recommended 2-stroke fuel-oil mixture (see also instruction "Fuel"). Deviations from this recommendation regarding quality and mixing ratio of fuel and oil may require shorter maintenance intervals.

Limitations

This Emission Control Systems Warranty shall not cover any of the following:

1. repair or replacement required because of misuse, neglect or lack of required maintenance
2. repairs improperly performed or replacements not conforming to STIHL Limited specifications that adversely affect performance and/or durability, and alterations or modifications not recommended or approved in writing by STIHL Limited
3. replacement of parts and other services and adjustments necessary for required maintenance at and after the first scheduled replacement point

Table des matières

Indications concernant la présente Notice d'emploi	40	Caractéristiques techniques	75
Prescriptions de sécurité et techniques de travail	40	Accessoires optionnels	76
Combinaisons autorisées d'outil de coupe, de capot protecteur, de poignée et de harnais	50	Instructions pour les réparations	77
Montage du guidon	51	Garantie de la Société STIHL Limited relative au système antipollution	77
Montage de la poignée circulaire	52		
Montage de l'anneau de suspension	54		
Montage des dispositifs de sécurité	54		
Montage de l'outil de coupe	55		
Carburant	58		
Ravitaillement en carburant	59		
Utilisation du harnais	59		
Équilibrage du dispositif	60		
Mise en route / arrêt du moteur	61		
Instructions de service	64		
Nettoyage du filtre à air	65		
Gestion moteur	65		
Réglage du carburateur	66		
Bougie	67		
Fonctionnement du moteur	68		
Lanceur	69		
Rangement du dispositif	69		
Affûtage des outils de coupe métalliques	69		
Contrôle et maintenance par le revendeur spécialisé	70		
Instructions pour la maintenance et l'entretien	71		
Principales pièces	73		

Chère cliente, cher client,

nous vous félicitons d'avoir choisi un produit de qualité de la société STIHL.

Ce produit a été fabriqué avec les procédés les plus modernes et les méthodes de surveillance de qualité les plus évoluées. Nous mettons tout en œuvre pour que ce dispositif vous assure les meilleurs services, de telle sorte que vous puissiez en être parfaitement satisfait.

Pour toute demande de renseignements complémentaires, veuillez vous adresser à votre revendeur ou directement à l'importateur de votre pays.



Hans Peter Stihl



FS 55, FS 55 C, FS 55 R, FS 55 RC

Indications concernant la présente Notice d'emploi

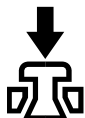
Pictogrammes

Les pictogrammes appliqués sur la machine sont expliqués dans la présente Notice d'emploi.

Suivant la machine et son équipement spécifique, les pictogrammes suivants peuvent y être appliqués.



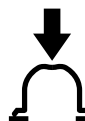
Réservoir à carburant ; mélange d'essence et d'huile moteur



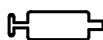
Actionner la soupape de décompression



Pompe d'amorçage manuelle



Actionner la pompe d'amorçage manuelle



Tube de graisse



Canalisation de l'air aspiré : utilisation en été



Canalisation de l'air aspiré : utilisation en hiver



Chauffage de poignées

Repérage des différents types de textes



Avertissement contre un risque d'accident et de blessure ainsi que de graves dégâts matériels.



Avertissement contre un risque de détérioration de la machine ou de certains composants.

Développement technique

La philosophie de STIHL consiste à poursuivre le développement continu de toutes ses machines et de tous ses dispositifs ; c'est pourquoi nous devons nous réserver tout droit de modification de nos produits, en ce qui concerne la forme, la technique et les équipements.

On ne pourra donc en aucun cas se prévaloir des indications et illustrations de la présente Notice d'emploi à l'appui de revendications quelconques.

Prescriptions de sécurité et techniques de travail



En travaillant avec cette machine, il faut respecter des prescriptions de sécurité particulières, parce que l'outil de coupe tourne à très haute vitesse.



Avant la première mise en service, lire attentivement et intégralement la présente Notice d'emploi. La conserver précieusement pour pouvoir la relire lors d'une utilisation ultérieure. Un utilisateur qui ne respecte pas les instructions de la Notice d'emploi risque d'occasionner un accident grave, voire même mortel.

Respecter les prescriptions de sécurité nationales spécifiques publiées par ex. par les caisses professionnelles d'assurances mutuelles, caisses de sécurité sociale, services pour la protection du travail et autres organismes compétents.

Une personne qui travaille pour la première fois avec cette machine doit demander au vendeur ou à une autre personne compétente de lui montrer comment l'utiliser en toute sécurité – ou participer à un stage de formation.

Les jeunes encore mineurs ne sont pas autorisés à travailler avec la machine – une seule exception est permise pour des apprentis de plus de 16 ans travaillant sous surveillance.

Veiller à ce que des spectateurs éventuels, en particulier des enfants, ou des animaux restent à une distance suffisante.

Lorsque la machine n'est pas utilisée, la ranger en veillant à ce qu'elle ne présente aucun danger pour d'autres personnes. Conserver la machine à un endroit adéquat, de telle sorte qu'elle ne puisse pas être utilisée sans autorisation.

L'utilisateur est responsable des blessures qui pourraient être infligées à d'autres personnes, de même que des dégâts matériels causés.

Ne prêter ou louer la machine qu'à des personnes familiarisées avec ce modèle et sa manipulation – toujours y joindre la Notice d'emploi.

L'utilisation de dispositifs à moteur bruyants peut être soumise à des prescriptions nationales ou locales précisant les créneaux horaires à respecter.

L'utilisateur de la machine doit être reposé, en bonne santé et en bonne condition physique.

Une personne à laquelle il est interdit d'effectuer des travaux fatigants – pour des questions de santé – devrait consulter son médecin et lui demander si elle peut travailler avec un dispositif à moteur.

Uniquement pour les personnes qui portent un stimulateur cardiaque : le système d'allumage de cette machine engendre un champ électromagnétique de très faible intensité. Une influence sur certains types de stimulateurs cardiaques ne peut pas être totalement exclue. Afin d'écartier tout risque pour la santé, STIHL recommande aux personnes portant un stimulateur cardiaque de consulter leur médecin traitant et le fabricant du stimulateur cardiaque.

Il est interdit de travailler avec la machine après avoir consommé de l'alcool ou de la drogue ou bien après avoir pris des médicaments qui risquent de limiter la capacité de réaction.

Utiliser la machine – suivant les outils de coupe assignés – exclusivement pour faucher de l'herbe ou pour couper des plantes sauvages, des buissons, des broussailles, des arbustes etc.

Ne pas utiliser la machine pour d'autres travaux – **risque d'accident !**

Monter exclusivement des outils de coupe ou accessoires autorisés par STIHL pour cette machine, ou des pièces similaires du point de vue technique. Pour toute question à ce sujet, s'adresser à un revendeur spécialisé. Utiliser exclusivement des outils ou accessoires de haute qualité. Sinon, des accidents pourraient survenir ou la machine risquerait d'être endommagée.

STIHL recommande d'utiliser des outils et accessoires d'origine STIHL. Leurs caractéristiques sont optimisées tout spécialement pour ce produit, et pour répondre aux exigences de l'utilisateur.

N'apporter aucune modification à cette machine – cela risquerait d'en compromettre la sécurité. STIHL décline toute responsabilité pour des blessures ou des dégâts matériels occasionnés en cas d'utilisation d'équipements rapportés non autorisés.

Pour le nettoyage de cette machine, ne pas utiliser un nettoyeur haute pression. Le puissant jet d'eau risquerait d'endommager certaines pièces de la machine.

Le capot protecteur de la machine ne peut pas protéger l'utilisateur contre tous les objets (pierres, morceaux de verre ou de fil de fer etc.) projetés par l'outil de coupe. Ces objets peuvent ricocher et toucher l'utilisateur.

Vêtements et équipement

Porter des vêtements et équipements de protection réglementaires.



Les vêtements doivent être fonctionnels et garantir une liberté de mouvement totale. Porter des vêtements bien ajustés – ne pas porter une blouse de travail, mais une combinaison.

Ne pas porter des vêtements qui risqueraient de se prendre dans le bois, les broussailles ou les pièces en mouvement de la machine. Ne porter ni écharpe ou cravate, ni bijoux. Les personnes aux cheveux longs doivent les nouer et les assurer (foulard, casquette, casque etc.).



Porter des chaussures de sécurité avec semelle antidérapante et coquille d'acier.

Seulement pour le travail avec des têtes faucheuses, il est permis de porter des chaussures robustes avec semelle crantée antidérapante.



Pour les travaux de dépressage, la coupe de broussailles assez hautes et chaque fois qu'un risque de chute d'objets se présente, porter un casque. Porter une visière pour la protection du visage et, en plus, porter impérativement des lunettes de protection – risque de blessure par des objets soulevés par le déplacement d'air ou projetés.

Une visière n'offre pas une protection oculaire suffisante.

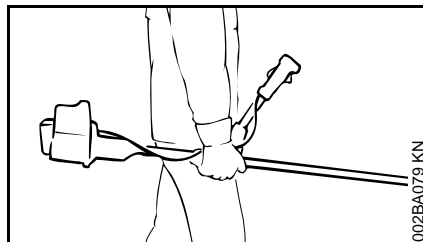
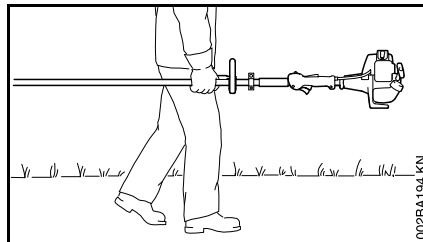
Porter un dispositif antibruit « individuel » – par ex. des capsules protège-oreilles.



Porter des gants robustes.

STIHL propose une gamme complète d'équipements pour la protection personnelle.

Transport de la machine



Toujours arrêter le moteur.

Porter la machine en la laissant suspendue au harnais ou en la tenant par le tube, de telle sorte qu'elle soit bien équilibrée. Pour éviter le risque de blessure en cas de contact avec l'outil de coupe métallique – monter le protecteur de transport sur l'outil de coupe.

Pour le transport dans un véhicule : assurer la machine de telle sorte qu'elle ne risque pas de se renverser, d'être endommagée ou de perdre du carburant.

Ravitaillement



L'essence est un carburant extrêmement inflammable – rester à une distance suffisante de toute flamme ou source d'inflammation – ne pas renverser du carburant – ne pas fumer.

Arrêter le moteur avant de refaire le plein.

Ne pas refaire le plein tant que le moteur est très chaud – du carburant peut déborder – **risque d'incendie !**

Ouvrir prudemment le bouchon du réservoir à carburant, afin que la surpression interne s'échappe lentement et que du carburant ne soit pas éjecté.

Faire le plein exclusivement à un endroit bien aéré. Si l'on a renversé du carburant, essuyer immédiatement la machine. Ne pas se renverser du carburant sur les vêtements – le cas échéant, se changer immédiatement.

De série, les machines peuvent être équipées de différents bouchons de réservoir.



Après le ravitaillement, le bouchon de réservoir à visser doit être serré le plus fermement possible.



Dans le cas du bouchon de réservoir à ailette rabattable (verrouillage à baïonnette), le présenter correctement, le faire tourner jusqu'en butée et rabattre l'ailette.

Cela réduit le risque de desserrage du bouchon du réservoir sous l'effet des vibrations du moteur, et de fuite de carburant.

S'assurer que la machine ne présente pas de fuite – si l'on constate une fuite de carburant, ne pas mettre le moteur en marche – **danger de mort par suite de brûlures !**

Avant la mise en route

S'assurer que la machine se trouve en parfait état pour un fonctionnement en toute sécurité – conformément aux indications des chapitres correspondants de la Notice d'emploi :

- utiliser exclusivement la combinaison autorisée d'outil de coupe, de capot protecteur, de poignée et de harnais ; toutes les pièces doivent être montées impeccablement ;
- le curseur combiné / commutateur d'arrêt doit pouvoir être amené facilement sur la position **STOP** ou **0** ;

- le blocage de gâchette d'accélérateur (si la machine en est équipée) et la gâchette d'accélérateur doivent fonctionner facilement – la gâchette d'accélérateur doit revenir automatiquement en position de ralenti, sous l'effet de son ressort ;
- contrôler le serrage du contact de câble d'allumage sur la bougie – un contact desserré peut provoquer un jaillissement d'étincelles risquant d'enflammer le mélange carburé qui aurait pu s'échapper – **risque d'incendie !**
- outil de coupe ou outil à rapporter : monté correctement, bien serré et dans un état impeccable ;
- contrôler si les dispositifs de protection (par ex. le capot protecteur de l'outil de coupe, le bol glisseur) ne sont pas endommagés ou usés. Remplacer les pièces endommagées. Il est interdit d'utiliser la machine avec un capot protecteur endommagé ou un bol glisseur usé (lorsque l'inscription et les flèches ne sont plus reconnaissables) ;
- n'apporter aucune modification aux dispositifs de commande et de sécurité ;

- les poignées doivent être propres et sèches – sans huile ni autres salissures – un point très important pour que l'on puisse manier la machine en toute sécurité ;
- ajuster le harnais et la poignée (les poignées) suivant la taille de l'utilisateur. Suivre les indications du chapitre « Utilisation du harnais » – « Équilibrage du dispositif ».

Il est interdit d'utiliser la machine si elle ne se trouve pas en parfait état de fonctionnement – **risque d'accident !**

Pour parer à toute éventualité, à l'utilisation d'un harnais : s'entraîner pour savoir se dégager rapidement de la machine. Lors de cet exercice, ne pas jeter la machine sur le sol, pour ne pas risquer de l'endommager.

Mise en route du moteur

Aller au moins à 3 m du lieu où l'on a fait le plein – et ne pas lancer le moteur dans un local fermé.

Pour lancer le moteur, il faut impérativement se tenir bien d'aplomb, sur une aire stable et plane – l'outil de coupe ne doit entrer en contact ni avec le sol, ni avec un objet quelconque, car il peut déjà être entraîné au démarrage du moteur.

La machine doit être maniée par une seule personne – ne pas tolérer la présence d'autres personnes dans un rayon de 15 m – pas même à la mise en route du moteur – **risque de blessure** par des objets projetés !



Éviter tout contact avec l'outil de coupe – **risque de blessure !**



Ne pas lancer le moteur en tenant la machine « à bout de bras » – pour la mise en route du moteur, procéder comme décrit dans la Notice d'emploi. Lorsqu'on relâche la gâchette d'accélérateur, l'outil de coupe tourne encore pendant quelques instants – **par inertie !**

Contrôler le ralenti du moteur : au ralenti – avec gâchette d'accélérateur relâchée – l'outil de coupe doit être arrêté.

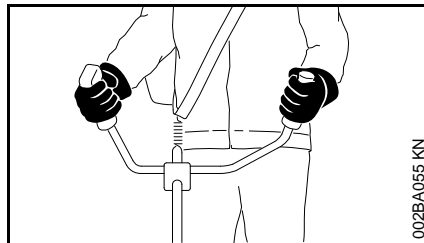
Écarter toute matière aisément inflammable (par ex. copeaux, morceaux d'écorce, herbe sèche, carburant) du flux des gaz d'échappement et du silencieux très chauds – **risque d'incendie !**

Prise en main et utilisation

Toujours tenir fermement la machine à deux mains, par les poignées.

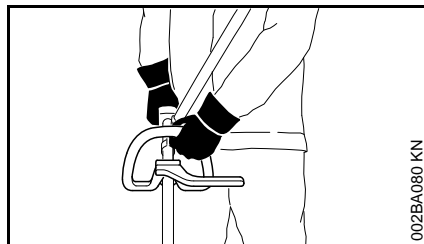
Toujours se tenir dans une position stable et sûre.

Sur les versions à guidon



Tenir la poignée de commande de la main droite et l'autre poignée du guidon de la main gauche.

Sur les versions à poignée circulaire

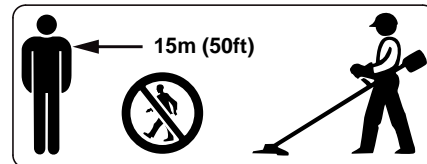


Sur les versions à poignée circulaire ou à poignée circulaire avec protection (pour garder une distance de sécurité entre l'outil de coupe et les pieds et jambes de l'utilisateur), tenir la poignée circulaire de la main gauche et la poignée de commande de la main droite – ceci est également valable pour les gauchers.

Au cours du travail

Toujours se tenir dans une position stable et sûre.

En cas d'urgence ou de danger imminent, arrêter immédiatement le moteur – placer le curseur combiné / commutateur d'arrêt sur la position **STOP** ou **0**.



À part l'utilisateur, personne ne doit se trouver dans un rayon de 15 m de la machine en marche – **risque de blessure par des objets projetés !** Respecter également cette distance par ex. par rapport à des véhicules garés, vitres etc. – **pour éviter de causer des dégâts matériels !**

Veiller à ce que le ralenti soit correctement réglé – de telle sorte qu'après le relâchement de la gâchette d'accélérateur l'outil de coupe ne soit plus entraîné et s'arrête.

Contrôler régulièrement et rectifier si nécessaire le réglage du ralenti. Si l'outil de coupe est entraîné au ralenti, malgré un réglage correct, faire réparer la machine par le revendeur spécialisé. STIHL recommande de s'adresser au revendeur spécialisé STIHL.

Faire particulièrement attention sur un sol glissant – mouillé, couvert de neige ou de verglas – de même qu'en travaillant à flanc de coteau ou sur un sol inégal etc. – **risque de dérapage !**

Faire attention aux obstacles : souches d'arbres, racines – **pour ne pas risquer de trébucher !**

Travailler seulement depuis le sol, ne jamais monter sur un échafaudage instable – jamais sur une échelle ou une nacelle élévatrice.

En travaillant avec des protège-oreilles, il faut faire tout particulièrement attention – parce que des bruits signalant un danger (cris, signaux sonores etc.) sont moins bien perceptibles.

Faire des pauses à temps pour ne pas risquer d'atteindre un état de fatigue ou d'épuisement qui pourrait **entraîner un accident !**

Travailler calmement, de manière bien réfléchie – seulement dans de bonnes conditions de visibilité et d'éclairage. Prendre les précautions utiles pour exclure le risque de blesser d'autres personnes.



Dès que le moteur est en marche, il dégage des gaz d'échappement toxiques. Ces gaz peuvent être inodores et invisibles, et renfermer des hydrocarbures imbrûlés et du benzène. Ne jamais travailler avec le dispositif à moteur dans des locaux fermés ou mal aérés – pas non plus si le moteur est équipé d'un catalyseur.

En travaillant dans des fossés, des dépressions de terrain ou des espaces restreints, toujours prendre soin d'assurer une ventilation suffisante – **danger de mort par intoxication !**

En cas de nausée, de maux de tête, de troubles de la vue (par ex. rétrécissement du champ de vision) ou de l'ouïe, de vertige ou de manque de concentration croissant, arrêter immédiatement le travail – ces symptômes peuvent, entre autres, être causés par une trop forte concentration de gaz d'échappement dans l'air ambiant – **risque d'accident !**

Éviter les émissions de bruits et de gaz d'échappement inutiles. Ne pas laisser le moteur en marche lorsque la machine n'est pas utilisée – accélérer seulement pour travailler.

Ne pas fumer en travaillant ou à proximité de la machine – **risque d'incendie !** Des vapeurs d'essence inflammables peuvent s'échapper du système d'alimentation en carburant.

Les poussières, les vapeurs et les fumées dégagées au cours du travail peuvent nuire à la santé. En cas de fort dégagement de poussière ou de fumée, porter un masque respiratoire.

Si la machine a été soumise à des sollicitations sortant du cadre de l'utilisation normale (par ex. si elle a été soumise à des efforts violents, en cas de choc ou de chute), avant de la remettre en marche, il faut impérativement s'assurer qu'elle se trouve en parfait état de fonctionnement – voir également « Avant la mise en route du moteur ».

Contrôler tout particulièrement l'étanchéité du système de carburant et la fiabilité des dispositifs de sécurité. Il ne faut en aucun cas continuer d'utiliser la machine si la sécurité de son fonctionnement n'est pas garantie. En cas de doute, consulter le revendeur spécialisé.

Ne pas travailler avec la commande d'accélérateur en position de démarrage – dans cette position de la gâchette d'accélérateur, il n'est pas possible de régler le régime du moteur.



Ne jamais travailler sans le capot protecteur qui convient pour la machine et l'outil de coupe utilisé – **risque de blessure par des objets projetés !**



Examiner le terrain : des objets durs – pierres, morceaux de métal ou autres – peuvent se transformer en projectiles – **risque de blessure !** – et risquent d'endommager l'outil de coupe ou de causer des dégâts matériels (par ex. sur des véhicules garés, vitres etc.).

Il faut prendre des précautions particulières en travaillant sur des terrains difficiles, à végétation dense.

En fauchant dans les broussailles hautes ou sous les buissons et haies : tenir l'outil de coupe à une hauteur de travail d'au moins 15 cm du sol – pour ne pas mettre en danger les animaux cachés, tels que les hérissons.

Avant de quitter la machine : arrêter le moteur.

Vérifier l'outil de coupe à de courts intervalles réguliers – et immédiatement si le comportement de l'outil change :

- arrêter le moteur, maintenir fermement la machine, attendre que l'outil de coupe s'arrête ;
- contrôler l'état et la bonne fixation – on ne doit constater aucun début de fissuration ;
- vérifier l'affûtage ;
- des outils de coupe défectueux ou émoussés doivent être remplacés immédiatement, même en cas de fissures capillaires minimales.

Enlever régulièrement l'herbe et les broussailles enchevêtrées dans la prise de l'outil de coupe – en cas d'engorgement, nettoyer la zone de l'outil de coupe ou du capot protecteur.

Pour le remplacement de l'outil de coupe, arrêter le moteur – **risque de blessure !**

Ne pas continuer d'utiliser des outils de coupe endommagés ou présentant un début de fissuration – et ne pas non plus les réparer – par ex. par soudage ou redressage – modification de la forme (balourd).

Des particules ou des éclats pourraient se détacher, être projetés à haute vitesse et toucher l'utilisateur ou une autre personne – **risque de blessures très graves !**

Utilisation de têtes faucheuses

Compléter le capot protecteur de l'outil de coupe avec les pièces à rapporter indiquées dans la Notice d'emploi.

Utiliser exclusivement un capot protecteur muni d'un couteau monté conformément aux prescriptions, pour rogner les fils de coupe à la longueur autorisée.

Pour réajuster la longueur du fil de coupe sur les têtes faucheuses à sortie de fil manuelle, il faut impérativement arrêter le moteur – **risque de blessure !**

L'utilisation, interdite, avec des fils de coupe trop longs réduit le régime de travail du moteur. L'embrayage patine alors continuellement, ce qui entraîne une surchauffe et la détérioration d'éléments fonctionnels importants (par ex. embrayage, pièces en matière synthétique du carter) – des dommages subséquents, par ex. le fait que l'outil de coupe soit entraîné au ralenti, présentent un **risque de blessure !**

Utilisation d'outils de coupe métalliques

STIHL recommande d'utiliser des outils de coupe métalliques d'origine STIHL. Leurs caractéristiques sont optimisées tout spécialement pour cette machine, et pour répondre aux exigences de l'utilisateur.

Les outils de coupe métalliques tournent à très haute vitesse. Cela engendre des forces qui agissent sur la machine, sur l'outil de coupe et sur les végétaux coupés.

Il faut impérativement affûter les outils de coupe métalliques à intervalles réguliers, en respectant les prescriptions.

Des outils de coupe métalliques affûtés de façon irrégulière engendrent un balourd qui peut soumettre la machine à des sollicitations extrêmes – **des pièces risquent de casser !**

Des tranchants émoussés ou pas correctement affûtés peuvent soumettre l'outil de coupe métallique à des contraintes supérieures à la normale – l'outil risque de se fissurer ou d'éclater – **risque de blessure !**

Après tout contact avec des objets durs (par ex. pierres, roches, objets métalliques), contrôler si l'outil de coupe métallique n'a pas été endommagé (début de fissuration, déformations etc.). Il faut impérativement éliminer (de préférence avec une lime) les bavures ou autres refoulements de matière visibles, car ils risquent de se détacher à l'utilisation de l'outil de coupe et les éclats peuvent être projetés au loin – **risque de blessure !**

Afin de réduire les risques décrits ci-dessus, qui peuvent se présenter à l'utilisation d'un outil de coupe métallique, il faut veiller à ne jamais employer un outil de coupe métallique de trop grand diamètre. L'outil ne doit être trop lourd. Il doit être fabriqué en matières de qualité suffisante et avoir la géométrie (forme, épaisseur) qui convient.

Si l'on utilise un outil de coupe métallique qui n'a pas été fabriqué par STIHL, son poids, son épaisseur et son diamètre ne doivent en aucun cas dépasser ceux du plus gros outil de coupe métallique STIHL autorisé pour cette machine, et il doit avoir exactement la même forme que cet outil d'origine STIHL – **risque de blessure !**

Vibrations

Au bout d'une assez longue durée d'utilisation de la machine, les vibrations peuvent provoquer une perturbation de l'irrigation sanguine des mains (« maladie des doigts blancs »).

Il n'est pas possible de fixer une durée d'utilisation valable d'une manière générale, car l'effet des vibrations dépend de plusieurs facteurs.

Les précautions suivantes permettent de prolonger la durée d'utilisation :

- garder les mains au chaud (porter des gants chauds) ;
- faire des pauses.

Les facteurs suivants raccourcissent la durée d'utilisation :

- tendance personnelle à souffrir d'une mauvaise irrigation sanguine (symptômes : doigts souvent froids, fourmillements) ;
- utilisation à de basses températures ambiantes ;
- effort exercé sur les poignées (une prise très ferme gêne l'irrigation sanguine).

Si l'on utilise régulièrement la machine pendant de longues périodes et que les symptômes indiqués ci-avant (par ex. fourmillements dans les doigts) se manifestent à plusieurs reprises, il est recommandé de se faire ausculter par un médecin.

Maintenance et réparations

La machine doit faire l'objet d'une maintenance régulière. Effectuer exclusivement les opérations de maintenance et les réparations décrites dans la Notice d'emploi. Faire exécuter toutes les autres opérations par un revendeur spécialisé.

STIHL recommande de faire effectuer les opérations de maintenance et les réparations exclusivement chez le revendeur spécialisé STIHL. Les revendeurs spécialisés STIHL participent régulièrement à des stages de perfectionnement et ont à leur disposition les informations techniques requises.

Utiliser exclusivement des pièces de rechange de haute qualité. Sinon, des accidents pourraient survenir et la machine risquerait d'être endommagée. Pour toute question à ce sujet, s'adresser à un revendeur spécialisé.

STIHL recommande d'utiliser des pièces de rechange d'origine STIHL. Leurs caractéristiques sont optimisées tout spécialement pour cette machine, et pour répondre aux exigences de l'utilisateur.

Pour la réparation, la maintenance et le nettoyage, toujours **arrêter le moteur – risque de blessure !** – Exception : réglage du carburateur et du ralenti.

Lorsque le contact du câble d'allumage est débranché de la bougie ou que la bougie est dévissée, ne jamais faire tourner le moteur avec le lanceur sans avoir préalablement placé le curseur combiné / le commutateur d'arrêt en

position **STOP** ou **0 – risque d'incendie** par suite d'un jaillissement d'étincelles d'allumage à l'extérieur du cylindre.

Ne pas procéder à la maintenance de la machine à proximité d'un feu et ne pas non plus ranger la machine à proximité d'un feu – le carburant présente un **risque d'incendie !**

Contrôler régulièrement l'étanchéité du bouchon du réservoir à carburant.

Utiliser exclusivement une bougie autorisée par STIHL – voir « Caractéristiques techniques » – et dans un état impeccable.

Vérifier le câble d'allumage (isolement dans un état impeccable, bon serrage du raccord).

S'assurer que le silencieux est dans un état impeccable.

Ne pas travailler avec un silencieux endommagé ou sans silencieux – **risque d'incendie ! – lésions de l'ouïe !**

Ne pas toucher au silencieux très chaud – **risque de brûlure !**

La maintenance, le remplacement ou la réparation de pièces du système antipollution peuvent être exécutés par une entreprise ou une personne compétente pour la réparation de moteurs d'engins mobiles non routiers. STIHL peut rejeter toute demande de garantie pour un composant dont l'entretien ou la maintenance n'a pas été effectué correctement ou si l'on a utilisé des pièces de rechange non autorisées.

Pour toute opération de maintenance, se référer au tableau de maintenance et d'entretien et aux clauses de garantie qui figurent à la fin de la présente Notice d'emploi.

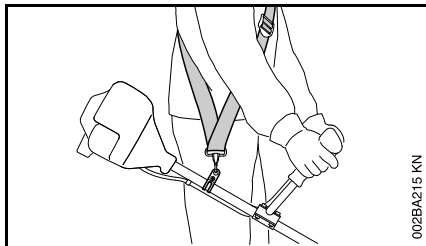
Symboles appliqués sur les dispositifs de protection

Une flèche sur le capot protecteur pour outils de coupe indique le sens de rotation des outils de coupe.



Utiliser ce capot protecteur exclusivement avec des têtes faucheuses – ne pas l'utiliser avec des outils de coupe métalliques.

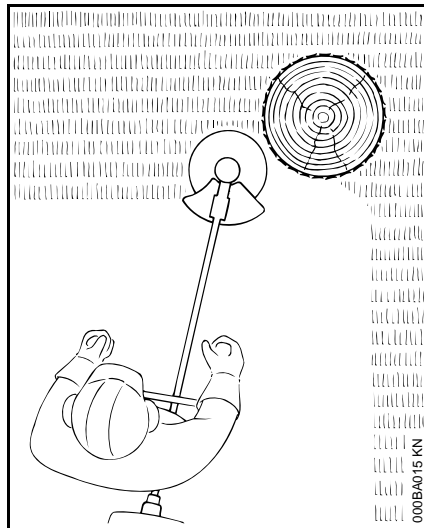
Harnais



- Utiliser le harnais ;
- accrocher le dispositif à moteur au harnais après avoir mis le moteur en marche.

Pour l'utilisation des couteaux à herbe le port d'un harnais (simple) est obligatoire !

Tête faucheuse avec fil de coupe

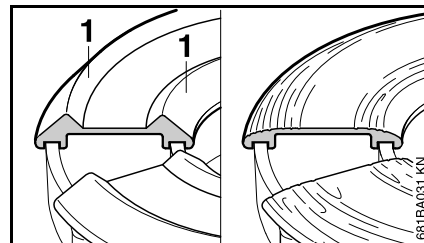


Pour une coupe « en douceur » – pour couper proprement même les bordures irrégulières, autour des arbres, des poteaux etc. – moindre risque d'endommager l'écorce des arbres.

⚠ Ne pas remplacer le fil de coupe par un fil d'acier – risque de blessure !

STIHL FixCut

Faire attention aux témoins d'usure !

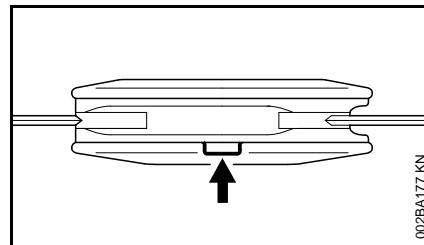


- Si les bourrelets (1) de la face inférieure ont disparu sous l'effet de l'usure – comme montré sur l'image de droite de l'illustration – il ne faut plus utiliser cette tête faucheuse, mais la remplacer par une tête faucheuse neuve ! **Risque de blessure** par des éclats de l'outil projetés !

Tête faucheuse avec couteaux en matière synthétique – STIHL PolyCut

Pour faucher les bordures de près dégagées (sans poteaux, clôtures, arbres ou obstacles similaires).

Faire attention aux témoins d'usure !



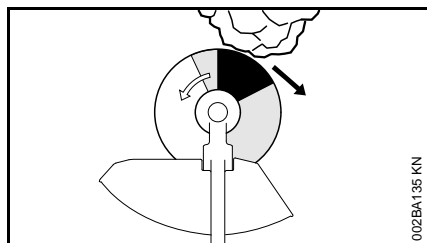
Si, sur la tête faucheuse PolyCut, l'un des témoins d'usure est cassé, du côté inférieur (flèche) : ne plus utiliser cette tête faucheuse, mais la remplacer par

une tête faucheuse neuve ! **Risque de blessure** par des éclats de l'outil projetés !

Respecter impérativement les instructions à suivre pour la maintenance de la tête faucheuse PolyCut !

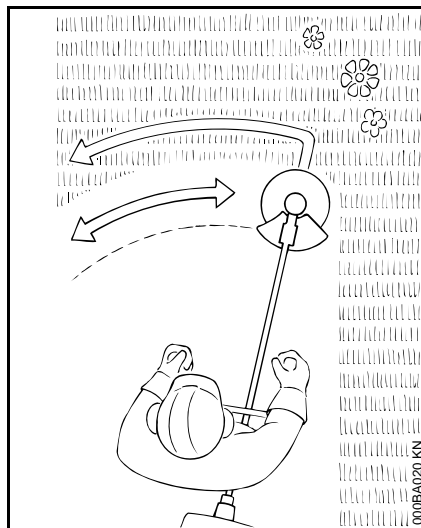
Risque de rebond avec les outils de coupe métalliques

L'utilisation de couteaux à herbe présente un risque de rebond, si l'outil entre en contact avec un objet solide (tronc d'arbre, branche, souche d'arbre, pierre etc.). Le dispositif est alors projeté en arrière – dans la direction opposée au sens de rotation de l'outil.



Un risque de rebond accru se présente lorsque le secteur de l'outil dessiné en noir touche un obstacle.

Couteau à herbe



Uniquement pour l'herbe et les plantes adventices – mener le dispositif comme une faux.

! Une utilisation incorrecte peut entraîner la détérioration du couteau à herbe – risque de projection d'éclats de l'outil – **risque de blessure !**

Lorsque le couteau à herbe est nettement émoussé, il faut le réaffûter conformément aux prescriptions.

Combinaisons autorisées d'outil de coupe, de capot protecteur, de poignée et de harnais

Outil de coupe	Capot protecteur	Poignée	Harnais

681BA120 KN

Combinaisons autorisées

Suivant l'outil de coupe utilisé, choisir la combinaison correcte indiquée sur le tableau !

⚠ Pour des questions de sécurité, il ne faut combiner que les versions d'outil de coupe, de capot protecteur, de poignée et de harnais qui se trouvent sur la même ligne du tableau. D'autres combinaisons sont interdites – **risque d'accident !**

Outils de coupe

Têtes faucheuses

- 1 STIHL SuperCut 20-2
- 2 STIHL AutoCut C 25-2
- 3 STIHL AutoCut 25-2
- 4 STIHL TrimCut 31-2
- 5 STIHL FixCut 25-2


6 STIHL PolyCut 20-3

Outils de fauchage métallique

7 Couteau à herbe 230-2

8 Couteau à herbe 230-4

9 Couteau à herbe 230-8

 Les couteaux à herbe sont des outils de coupe métalliques. Il est interdit d'utiliser des couteaux à herbe non métalliques.

Capots protecteurs

10 Capot protecteur **exclusivement** pour têtes faucheuses

11 Capot protecteur **avec**

12 Tablier et couteau rogneur, pour toutes les têtes faucheuses

13 Capot protecteur **sans** tablier ni couteau rogneur, pour tous les outils de fauchage métalliques

Poignées

14 Poignée circulaire

15 Poignée circulaire **avec**

16 Protection (pour garder la distance de sécurité entre l'outil de coupe et les pieds et jambes de l'utilisateur)

17 Guidon

Harnais

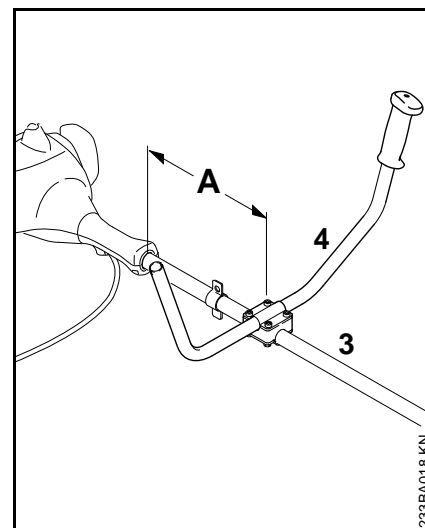
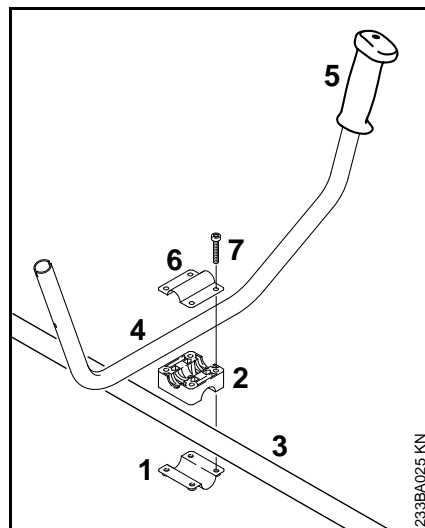
18 Harnais simple – peut être utilisé

19 Harnais simple – obligatoire

20 Harnais double – peut être utilisé

Montage du guidon

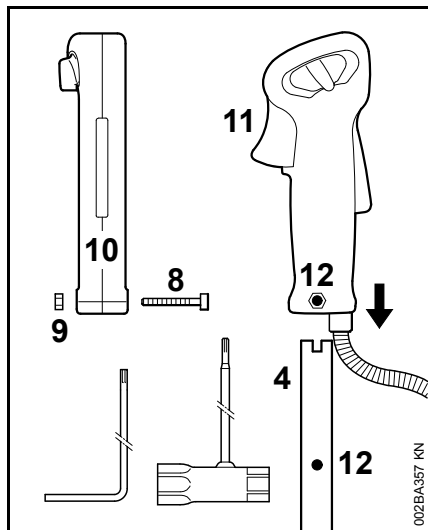
Montage du guidon



- fixer le tube du guidon (4) sur le tube (3) à une distance (A) d'env. 15 cm (6 po) du carter du moteur ;
- ajuster le guidon et serrer les vis.

- Appliquer la bride de serrage (1) et le support de guidon (2) sur le tube (3) ;
- poser le tube du guidon (4) dans le support de guidon – la poignée en caoutchouc (5) doit alors se trouver à gauche (vu depuis le moteur, en direction du guidon) ;
- poser la bride de serrage (6) sur le support de guidon ;
- passer les vis (7) à travers les trous des pièces et les visser à fond dans la bride de serrage (6) ;

Montage de la poignée de commande

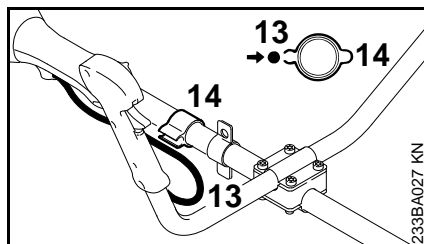


- Dévisser la vis (8) à l'aide de la clé multiple ou du tournevis coudé – l'écrou (9) reste alors dans la poignée de commande (10) ;
- présenter la poignée de commande avec la gâchette d'accélérateur (11) orientée en direction du réducteur et la glisser sur le guidon (4) de telle sorte que les trous (12) coïncident ;
- visser et serrer la vis (8).

Fixation du câble de commande des gaz



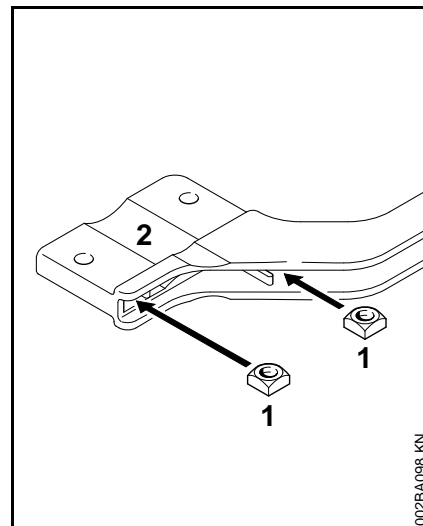
En posant le câble de commande des gaz, veiller à ce qu'il ne soit pas plié et ne forme pas de courbes trop serrées – la gâchette d'accélérateur doit pouvoir être actionnée facilement !



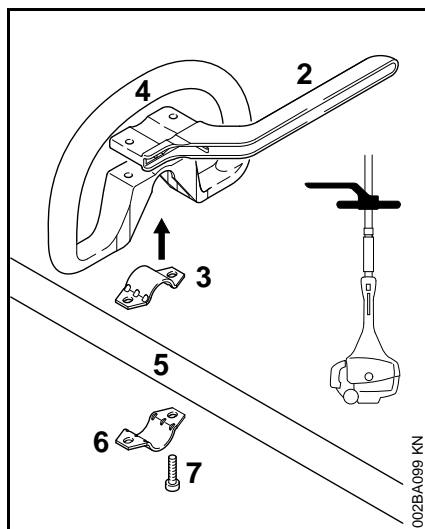
- Enfoncer le câble de commande des gaz (13) dans l'attache de câble de commande des gaz (14).

Montage de la poignée circulaire

Montage de la poignée circulaire avec protection

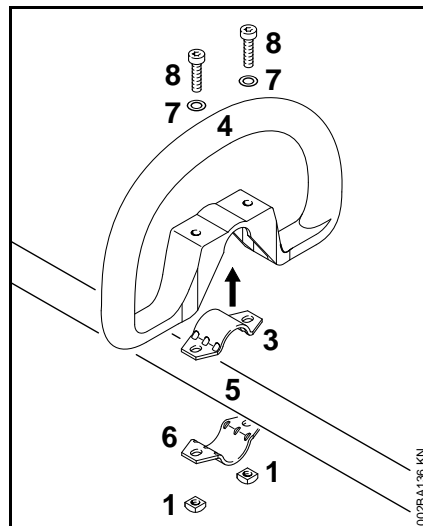


- Introduire les écrous à quatre pans (1) dans la protection (2) – faire coïncider les trous ;



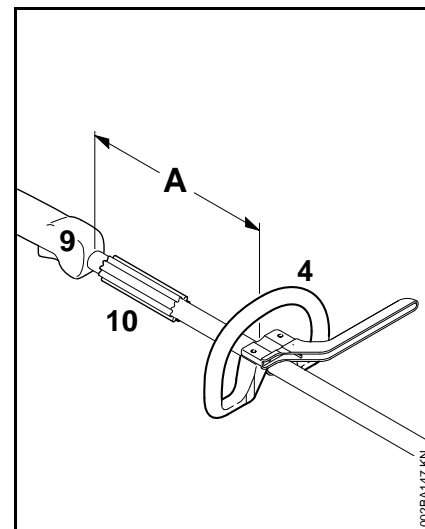
- loger le collier (3) dans la poignée circulaire (4) et le poser avec la poignée sur le tube (5) ;
- poser le collier (6) ;
- appliquer la protection (2) – en veillant au positionnement correct !
- faire coïncider les trous ;
- introduire les vis (7) à travers les trous des pièces – et les visser à fond dans la protection ;
- pour continuer, voir « Fixation de la poignée circulaire ».

Montage de la poignée circulaire sans protection



- loger le collier (3) dans la poignée circulaire (4) et le poser avec la poignée sur le tube (5) ;
- poser le collier (6) ;
- faire coïncider les trous ;
- poser la rondelle (7) sur la vis (8) et introduire la vis dans le trou ; visser l'écrou à quatre pans (1) sur la vis – jusqu'en appui ;
- pour continuer, voir « Fixation de la poignée circulaire ».

Fixation de la poignée circulaire

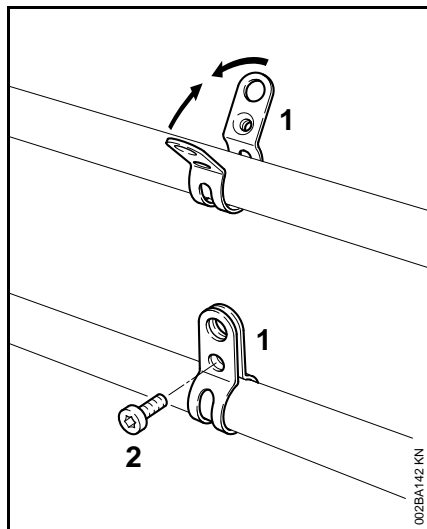


- Fixer la poignée circulaire (4) à une distance (A) d'env. 20 cm (8 po) de la poignée de commande (9) ;
- ajuster la poignée circulaire ;
- serrer les vis – en retenant les écrous si nécessaire.

La douille (10) n'est montée que sur les modèles destinés à certains pays ; le cas échéant, elle doit se trouver entre la poignée circulaire et la poignée de commande.

Montage de l'anneau de suspension

L'anneau de suspension fait partie du jeu de pièces joint à la livraison du dispositif ou est livrable à titre d'accessoire optionnel.

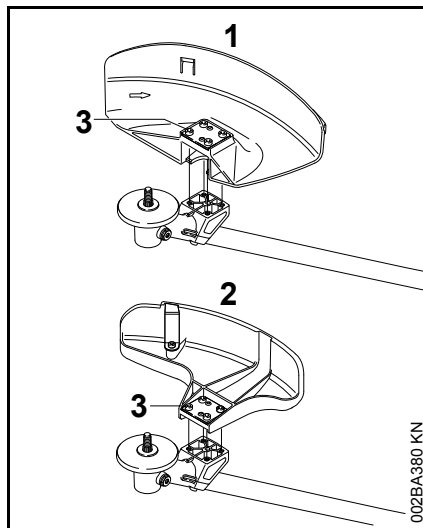


Position de l'anneau de suspension : voir « Principales pièces ».

- Appliquer le collier (1) sur le tube **avec le filetage du côté gauche** (côté utilisateur) ;
- pincer les pattes du collier et les maintenir ;
- visser la vis (2) M6x14 ;
- ajuster l'anneau de suspension ;
- serrer la vis.

Montage des dispositifs de sécurité

Montage du capot protecteur

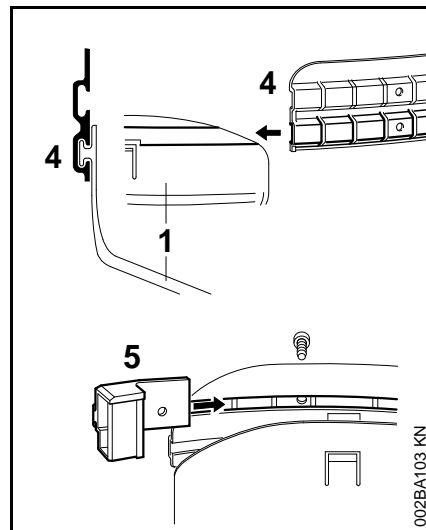


- 1 Capot protecteur pour outils de fauchage
- 2 Capot protecteur pour têtes faucheuses

Les capots protecteurs (1) et (2) se fixent de la même manière, sur le réducteur.

- Poser le capot protecteur sur le réducteur ;
- visser et serrer les vis (3).

Montage du tablier et du couteau

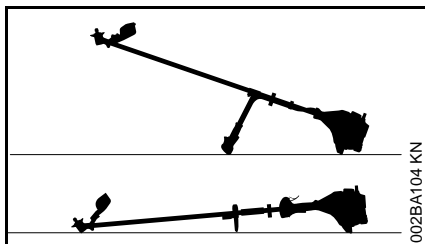


! Ces pièces doivent être montées sur le capot protecteur (1) lorsqu'on utilise des têtes faucheuses.

- Glisser la rainure de guidage inférieure du tablier (4) sur le rebord du capot protecteur (1) jusqu'à ce que le tablier s'encliquette ;
- glisser le couteau (5) dans la rainure de guidage supérieure du tablier et le faire coïncider avec le premier trou de fixation ;
- visser et serrer la vis.

Montage de l'outil de coupe

Préparation du dispositif à moteur



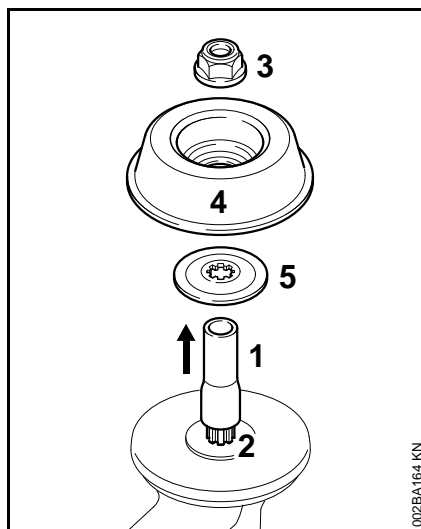
- Poser la débroussailleuse de telle sorte que la prise pour outil de coupe soit orientée vers le haut.

Pièces de fixation pour outils de coupe

Le jeu de pièces joint pour la fixation de l'outil de coupe peut différer suivant l'outil de coupe livré avec l'équipement de première monte d'un dispositif à moteur neuf.

Livraison sans pièces de fixation

Il est seulement possible de monter des têtes faucheuses.



- Enlever la protection montée pour le transport ; pour cela, arracher la gaine (1) de l'arbre (2).
- pour continuer, voir « Montage de la tête faucheuse ».

Si l'on veut monter un outil de coupe métallique à la place d'une tête faucheuse, l'écrou (3), le bol glisseur (4) et la rondelle de pression (5) sont nécessaires, en plus (accessoires optionnels).

Livraison avec pièces de fixation

Il est possible de monter des têtes faucheuses et des outils de coupe métalliques.

Si les pièces sont jointes

- Enlever la protection montée pour le transport ; pour cela, arracher la gaine (1) de l'arbre (2).

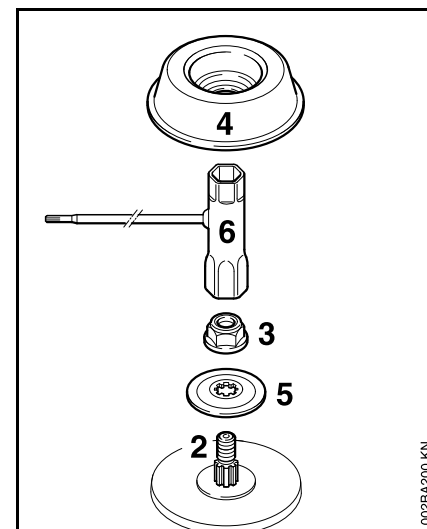
L'écrou (3), le bol glisseur (4) et la rondelle de pression (5) font partie du jeu de pièces livré avec le dispositif.

- Pour continuer, voir « Montage de la tête faucheuse » ou « Montage de l'outil de coupe métallique ».

Si les pièces sont fixées sur le réducteur

- pour continuer, voir « Démontage des pièces de fixation ».

Démontage des pièces de fixation



- Bloquer l'arbre – voir la section suivante « Blocage de l'arbre » ;
- en tournant dans le sens des aiguilles d'une montre (filetage à gauche) à l'aide de la clé multiple (6) – comprise dans le jeu de pièces fourni à la livraison ou

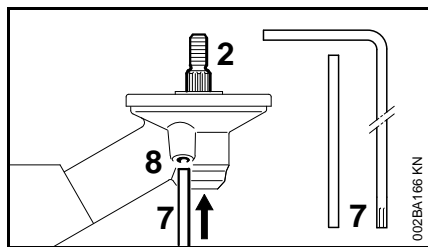
livrable en tant qu'accessoire optionnel – enlever l'écrou (3) de l'arbre (2) ;

- enlever la rondelle de pression (5) de l'arbre (2).

Le bol glisseur (4) fait partie du jeu de pièces livré avec l'appareil.

- Pour continuer, voir « Montage de la tête faucheuse » ou « Montage de l'outil de coupe métallique ».

Blocage de l'arbre

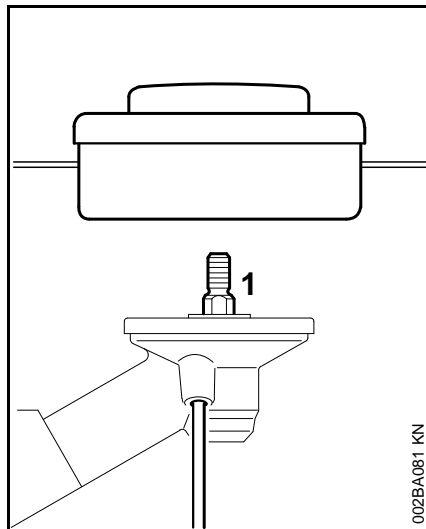


- Glisser le mandrin de calage (7) ou le tournevis coudé – compris dans le jeu de pièces fourni à la livraison ou livrable en tant qu'accessoire optionnel – dans l'orifice (8) du réducteur – jusqu'en butée – en exerçant seulement une légère pression ;
- faire jouer l'arbre (2), l'écrou ou l'outil de coupe jusqu'à ce que le mandrin s'encliquette et bloque l'arbre.

Montage de la tête faucheuse

Conserver précieusement le folio joint à la tête faucheuse.

**STIHL SuperCut 20-2,
STIHL AutoCut 25-2,
STIHL AutoCut C 25-2,
STIHL TrimCut 31-2,
STIHL FixCut 25-2,
STIHL PolyCut 20-3**



- Visser la tête faucheuse sur l'arbre (1) en tournant dans le sens inverse des aiguilles d'une montre, jusqu'en butée ;
- bloquer l'arbre ;
- serrer fermement la tête faucheuse.



Enlever l'outil préalablement inséré pour bloquer l'arbre.

Démontage de la tête faucheuse

- Bloquer l'arbre ;

**STIHL SuperCut 20-2,
STIHL AutoCut 25-2,
STIHL AutoCut C 25-2,**

**STIHL TrimCut 31-2,
STIHL FixCut 25-2,
STIHL PolyCut 20-3**

- faire tourner la tête faucheuse dans le sens des aiguilles d'une montre.

Ajustage du fil de coupe

STIHL SuperCut

Le fil de coupe est débité automatiquement au cours des travaux de fauchage à condition que la longueur du fil de coupe atteigne encore au moins **6 cm** – et, s'il devient trop long, il est rogné à la longueur optimale par le couteau monté sur le capot protecteur.

STIHL AutoCut

- Présenter la tête faucheuse en rotation parallèlement à la surface d'herbe – frapper brièvement sur le sol – la bobine débite env. **3 cm** de fil.

Si les fils de coupe deviennent trop longs, ils sont rognés à la longueur optimale par le couteau monté sur le capot protecteur – c'est pourquoi il faut éviter de frapper plusieurs fois de suite sur le sol !

La sortie de fil de coupe n'est toutefois possible que si les extrémités des **deux** fils de coupe atteignent encore une longueur minimale de **2,5 cm** !

Sur toutes les autres têtes faucheuses

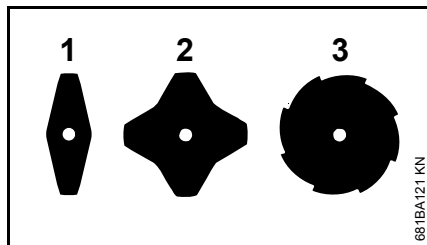
Procéder comme décrit sur le folio joint à la tête faucheuse.

- ⚠ Pour réajuster la longueur du fil de coupe sur les têtes faucheuses à sortie de fil manuelle, il faut impérativement arrêter le moteur – risque de blessure !

Remplacement du fil de coupe ou des couteaux

Procéder comme décrit sur le folio joint à la tête faucheuse.

Montage d'outils de coupe métalliques



Pour les couteaux à herbe 230-2 (1), 230-4 (2) et 230-8 (3), les pièces amovibles, **tablier et couteau rogneur, ne sont pas nécessaires** – voir « Montage des dispositifs de protection ».

- ⚙ Pour les outils de coupe métalliques, utiliser une version spéciale du disque de pression (5, illustration suivante) livrable à titre d'accessoire optionnel – pour cela, si nécessaire, faire contrôler la machine par le revendeur spécialisé.

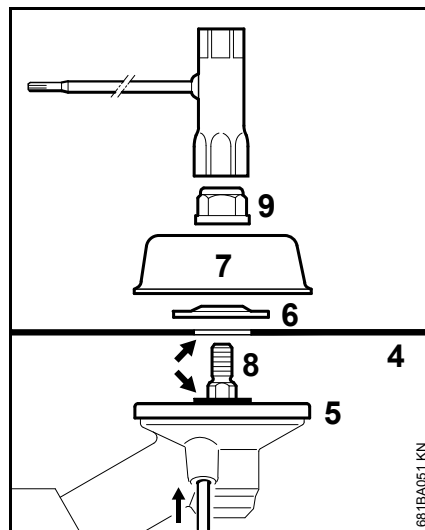
Si à la livraison, avec l'équipement de première monte, la machine est munie d'un outil de coupe métallique, le disque de pression (5, illustration suivante) qui convient est déjà monté.

- Poser la débroussailleuse de telle sorte que la prise pour outil de coupe soit orientée vers le haut.

Sur les couteaux à herbe (1) et (2), les tranchants peuvent être orientés dans n'importe quel sens.

Sur le couteau à herbe (3), les tranchants doivent être orientés dans le sens des aiguilles d'une montre.

- ⚠ Tenir compte du sens de rotation indiqué sur la face intérieure du capot protecteur de l'outil de fauchage.



- Poser l'outil de coupe (4) sur le disque de pression (5) ;

- ⚠ Le collet (flèche) doit s'engager dans l'orifice de l'outil de coupe.

- Glisser la rondelle de pression (6) et le bol glisseur (7) sur l'arbre (8) ;
- bloquer l'arbre puis visser et serrer l'écrou (9) sur l'arbre en tournant dans le sens inverse des aiguilles d'une montre.

- ⚠ S'il tourne facilement sur le filetage, l'écrou doit être remplacé.

Démontage d'un outil de coupe métallique

- Bloquer l'arbre ;
- desserrer l'écrou en tournant dans le sens des aiguilles d'une montre ;
- enlever les pièces glissées sur l'arbre – le disque de pression (5) **ne doit pas** être enlevé.

Carburant

Ce moteur est homologué pour l'utilisation avec de l'essence sans plomb et un taux de mélange de 50:1.

Votre moteur doit être alimenté avec un mélange composé de supercarburant (premium gasoline) de haute qualité et d'huile de haute qualité pour moteur deux-temps refroidi par air.

Utiliser du supercarburant de marque, sans plomb, dont l'indice d'octane atteint au moins 89 RON.

Nota : Sur les machines munies d'un **catalyseur**, il faut faire le plein avec de l'essence **sans plomb**. Il suffirait de faire quelques fois le plein avec de l'essence plombée pour que l'efficacité du catalyseur se trouve réduite de plus de 50%.

Du carburant à indice d'octane inférieur provoque un allumage anticipé (produisant un « cliquetis »), accompagné d'une élévation de la température du moteur. Cette surchauffe, à son tour, augmente le risque de grippage du piston et de détérioration du moteur.

La composition chimique du carburant est également importante. Certains additifs mélangés au carburant ne présentent pas seulement l'inconvénient de détériorer les élastomères (membranes du carburateur, bagues d'étanchéité, conduits de carburant etc.), mais encore les carters en magnésium. Cela peut perturber le fonctionnement ou même endommager le moteur. C'est pour cette raison qu'il

est extrêmement important d'utiliser exclusivement des carburants de haute qualité !

Des carburants à différentes teneurs en éthanol sont proposés. L'éthanol peut dégrader les caractéristiques de fonctionnement du moteur et accroît le risque de grippage par suite d'un appauvrissement excessif du mélange carburé.

De l'essence avec une teneur en éthanol supérieure à 10% peut causer une dégradation des caractéristiques de fonctionnement et de graves endommagements sur les moteurs munis d'un carburateur à réglage manuel, et c'est pourquoi il n'est pas permis d'utiliser ce carburant sur de tels moteurs.

Les moteurs équipés du système de gestion moteur électronique M-Tronic peuvent fonctionner avec de l'essence contenant jusqu'à 25% d'éthanol (E25).

Pour la composition du mélange, utiliser exclusivement l'huile STIHL pour moteur deux-temps ou de l'huile de marque de qualité équivalente pour moteur deux-temps refroidi par air.

Nous recommandons l'utilisation de l'huile STIHL 50:1 pour moteur deux-temps, car c'est la seule huile spécialement élaborée pour l'utilisation dans les moteurs STIHL.

Ne pas utiliser d'huiles de mélange BIA ou TCW (pour moteurs deux-temps refroidis par eau) !

Pour composer le mélange des modèles à **catalyseur**, utiliser exclusivement **l'huile moteur hautes performances STIHL 50:1** ou une huile de qualité équivalente pour moteur deux-temps.

Manipuler le carburant avec précaution. Éviter tout contact direct de la peau avec le carburant et ne pas inhaler les vapeurs de carburant.

Le bouchon du bidon doit être toujours bien serré, pour éviter que de l'humidité pénètre dans le mélange.

Il convient de nettoyer de temps en temps le réservoir à carburant et les bidons utilisés pour le stockage du mélange.

Taux de mélange

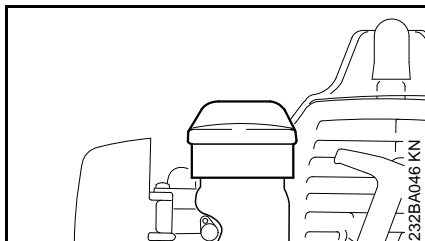
Ne mélanger que la quantité de carburant nécessaire pour quelques journées de travail ; ne pas dépasser une durée de stockage de 3 mois. Conserver le mélange exclusivement dans des bidons de sécurité homologués pour le carburant. Pour la composition du mélange, verser dans le bidon tout d'abord l'huile, puis rajouter l'essence.

Exemples

litres	Essence	Huile (STIHL 50:1 ou huiles de haute qualité équivalentes)
1	0.02	(20)
5	0.10	(100)
10	0.20	(200)
15	0.30	(300)
20	0.40	(400)
25	0.50	(500)

Entreposer les bidons remplis de mélange exclusivement à un endroit autorisé pour le stockage de carburants.

Ravitaillement en carburant



- Avant de faire le plein, nettoyer le bouchon du réservoir et son voisinage, afin qu'aucune impureté ne risque de pénétrer dans le réservoir ;
- positionner la machine de telle sorte que le bouchon du réservoir soit orienté vers le haut ;
- ouvrir le bouchon du réservoir.

En faisant le plein, ne pas renverser du carburant et ne pas remplir le réservoir jusqu'au bord. STIHL recommande d'utiliser le système de remplissage STIHL (accessoire optionnel).

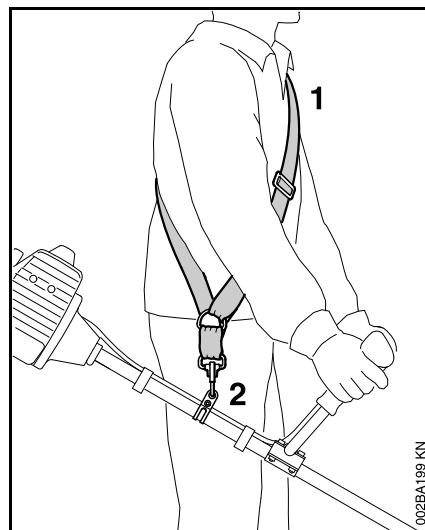
! Après le ravitaillement, visser le bouchon du réservoir et le serrer à la main, le plus fermement possible.

Utilisation du harnais

Le type et la version du harnais diffèrent suivant les marchés.

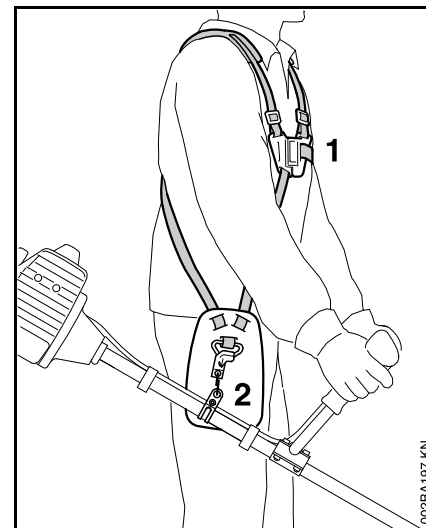
Utilisation du harnais – voir « Combinaisons autorisées d'outil de coupe, de capot protecteur, de poignée et de harnais ».

Harnais simple



- Mettre le harnais simple (1) ;
- régler la longueur des sangles de telle sorte que le mousqueton (2) se trouve environ à une largeur de paume en dessous de la hanche droite ;
- équilibrer le dispositif.

Harnais double



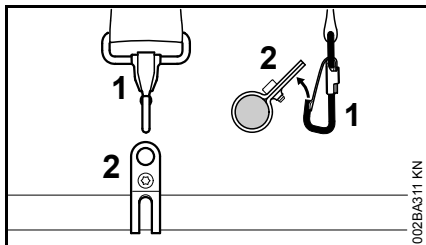
- Mettre le harnais double (1) ;
- régler la longueur des sangles de telle sorte que le mousqueton (2) se trouve environ à une largeur de paume en dessous de la hanche droite ;
- équilibrer le dispositif.

Équilibrage du dispositif

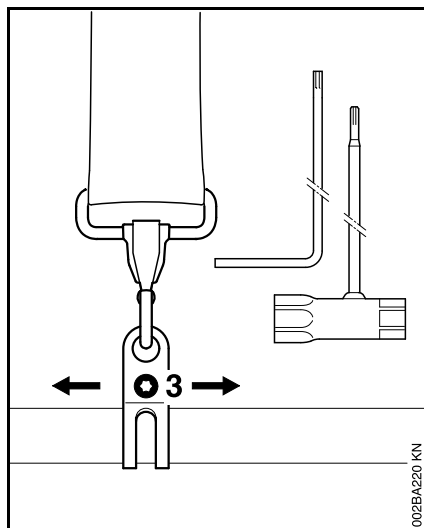
Le type et la version du harnais et du mousqueton diffèrent suivant les marchés.

Sur les dispositifs à poignée circulaire, l'anneau de suspension est monté dans la poignée de commande : voir « Principales pièces ». Les dispositifs à poignée circulaire n'ont pas besoin d'être équilibrés.

Accrochage du dispositif au harnais

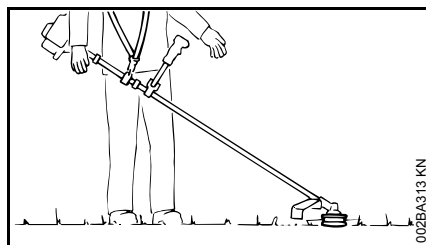


- Accrocher le mousqueton (1) à l'anneau de suspension (2) fixé sur le tube ;



- desserrer la vis (3).

Position d'équilibre



- Les têtes faucheuses et les couteaux à herbe doivent légèrement porter sur le sol.

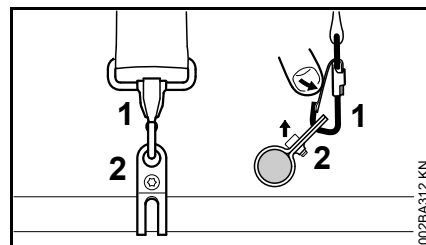
Pour obtenir la position d'équilibre, procéder comme suit :

- faire coulisser l'anneau de suspension – resserrer légèrement la vis – laisser le dispositif s'équilibrer – contrôler la position d'équilibre.

Une fois que la position d'équilibre est correcte :

- serrer fermement la vis de l'anneau de suspension.

Décrochage du dispositif du harnais

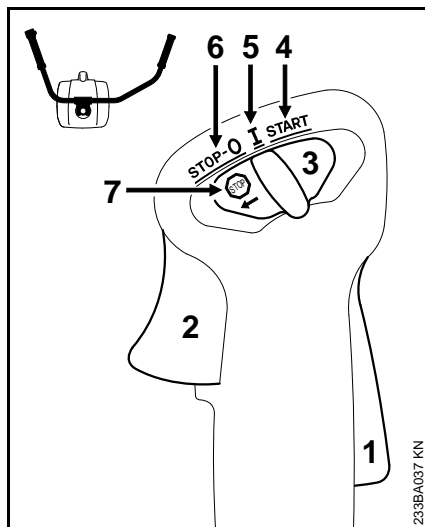


- Appuyer sur la languette du mousqueton (1) et sortir l'anneau de suspension (2) du mousqueton.

Mise en route / arrêt du moteur

Version à guidon

Éléments de commande

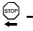



- 1 Blocage de gâchette d'accélérateur
- 2 Gâchette d'accélérateur
- 3 Curseur combiné

Positions du curseur combiné

- 4 **START** – démarrage – le contact est mis – le moteur peut démarrer
- 5 **I** – marche normale – le moteur tourne ou peut démarrer
- 6 **STOP-0** – arrêt du moteur – le contact est coupé

Symbole sur le curseur combiné

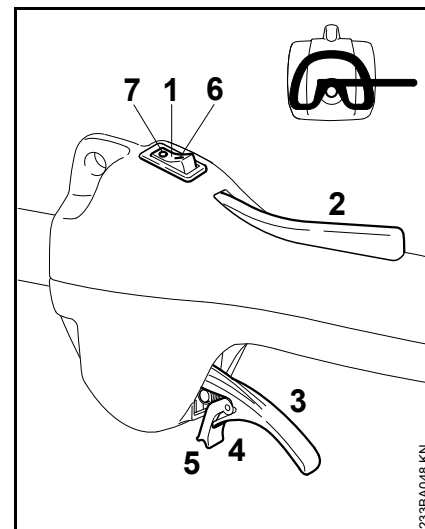
- 7  – symbole d'arrêt et flèche – pour arrêter le moteur, pousser le curseur combiné dans le sens de la flèche () , sur la position **STOP-0**

Mise en route

- Enfoncer successivement le blocage de gâchette d'accélérateur et la gâchette d'accélérateur ;
- maintenir ces deux commandes enfoncées ;
- pousser le curseur combiné en position **START** et le maintenir aussi dans cette position ;
- relâcher successivement la gâchette d'accélérateur, le curseur combiné et le blocage de gâchette d'accélérateur = **position de démarrage** ;
- pour continuer, voir « Toutes les versions ».

Version à poignée circulaire

Éléments de commande

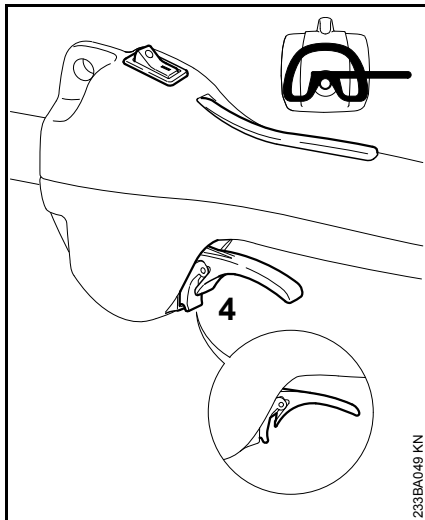


- 1 Commutateur d'arrêt
- 2 Blocage de gâchette d'accélérateur
- 3 Gâchette d'accélérateur
- 4 Languette à ressort de la gâchette d'accélérateur
- 5 Cran d'encliquetage

Positions du commutateur d'arrêt

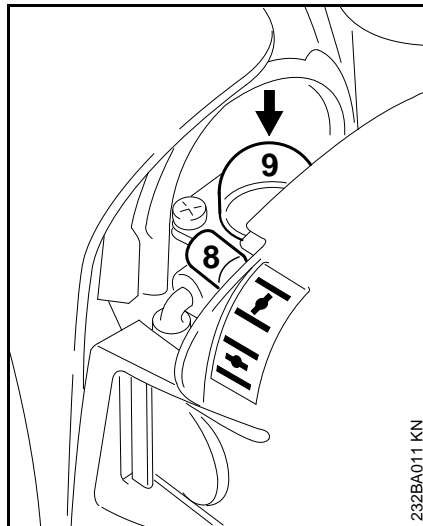
- 6 **I** – marche normale – le moteur peut démarrer ou est en marche
- 7 **0** – Stop – arrêt du moteur – le contact est coupé



Mise en route



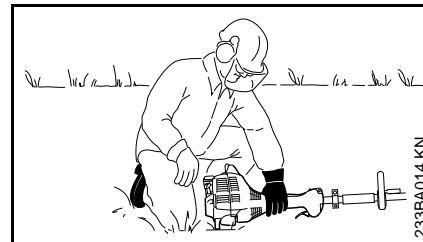
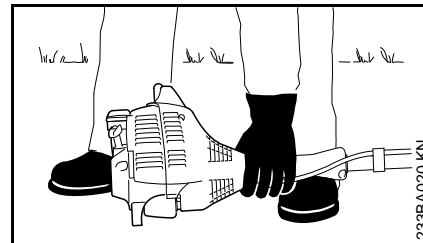
- Placer le commutateur d'arrêt sur la position I ;
- enfoncer le blocage de gâchette d'accélérateur et le maintenir enfoncé ;
- enfoncer la gâchette d'accélérateur jusqu'à ce que le cliquet de la languette (4) puisse être encliqueté sur le boîtier ;
- relâcher successivement la gâchette d'accélérateur, la languette et le blocage de gâchette d'accélérateur = **position de démarrage** ;
- pour continuer, voir « Toutes les versions » ;


Toutes les versions

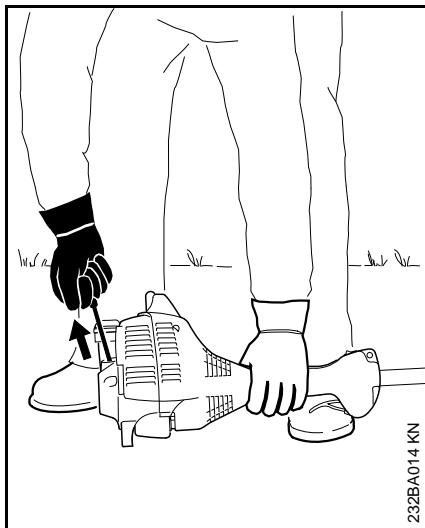


- placer le levier (8) du volet de starter en position
-  si le moteur est froid ;
 si le moteur est chaud – également si le moteur a déjà tourné mais est encore froid ;
- enfoncer au moins 5 fois le soufflet (9) de la pompe d'amorçage manuelle – même si le soufflet est rempli de carburant ;

Lancement du moteur



- poser la machine sur le sol, dans une position sûre : la patte d'appui du moteur et le capot protecteur de l'outil de coupe servent d'appuis. L'outil de coupe ne doit entrer en contact ni avec le sol, ni avec un objet quelconque !
 - se tenir dans une position stable ;
 - avec la main gauche, plaquer **fermement** la machine sur le sol – passer le pouce sous le carter de ventilateur ;
-  Ne pas poser le pied ou le genou sur le tube !



- avec la main droite, saisir la poignée du lanceur ;

Sur la version sans Easy2Start

- tirer lentement la poignée du lanceur jusqu'à la première résistance perceptible, puis tirer vigoureusement d'un coup sec ;



Ne pas sortir le câble sur toute sa longueur – **il risquerait de casser !**

Sur la version avec Easy2Start

- tirer lentement la poignée du lanceur jusqu'à la première résistance perceptible, puis actionner le lanceur en tirant lentement et régulièrement sur le câble ;

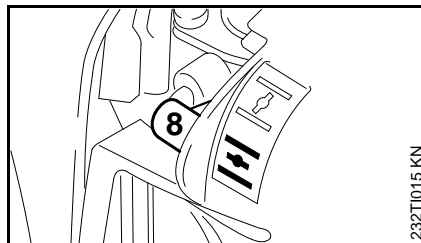



Ne pas sortir le câble sur toute sa longueur – **il risquerait de casser !**

Sur les deux versions

- ne pas lâcher la poignée du lanceur – la guider à la main dans le sens opposé à la traction, de telle sorte que le câble de lancement puisse s'enrouler correctement ;
- continuer de lancer le moteur ;

Après le premier coup d'allumage



- au plus tard après le **cinquième lancement**, amener le levier (8) du volet de starter en position  ;
- continuer de lancer le moteur ;

Dès que le moteur tourne

Version à guidon

- donner une impulsion sur la gâchette d'accélérateur – le moteur passe au ralenti ;

Version à poignée circulaire


- enfoncer la gâchette d'accélérateur jusqu'à ce que la languette se dégage – le moteur passe au ralenti.

La machine est prête à l'utilisation.



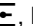
Si le carburateur est correctement réglé, l'outil de coupe ne doit pas tourner au ralenti !

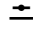
Arrêt du moteur

- Pousser le curseur combiné en direction de la flèche () sur la position **STOP-0** ou placer le commutateur d'arrêt sur la position **STOP / 0**.

Si le moteur ne démarre pas


Levier du volet de starter

Si, après le premier coup d'allumage du moteur, le levier du volet de starter n'a pas été amené à temps dans la position , le moteur est noyé.

- Placer le levier du volet de starter dans la position  ;
- amener le curseur combiné, le blocage de gâchette d'accélérateur et la gâchette d'accélérateur en **position de démarrage** ;
- lancer le moteur – en tirant vigoureusement sur le câble de lancement – 10 à 20 lancements peuvent être nécessaires.

Si malgré tout le moteur ne démarre pas

- placer le curseur combiné ou le commutateur d'arrêt sur la position **STOP / 0** ;
- démonter la bougie – voir « Bougie » ;
- sécher la bougie ;
- tirer plusieurs fois sur le câble de lancement – pour ventiler la chambre de combustion ;
- remonter la bougie – voir « Bougie » ;

- placer le curseur combiné ou le commutateur d'arrêt sur la position **I / I** ;
- placer le levier du volet de starter dans la position  – même si le moteur est froid ;
- relancer le moteur.

Si le moteur est tombé en panne sèche

- Après avoir fait le plein, enfoncer au moins 5 fois le soufflet de la pompe d'amorçage – même si le soufflet est rempli de carburant ;
- placer le levier du volet de starter dans la position requise en fonction de la température du moteur ;
- redémarrer le moteur.

Instructions de service

Au cours de la première période d'utilisation

Jusqu'à épuisement des trois premiers pleins du réservoir, ne pas faire tourner le dispositif à moteur neuf à haut régime, à vide, afin d'éviter une sollicitation supplémentaire au cours du rodage. Durant le rodage, les éléments mobiles doivent s'adapter les uns aux autres – les frictions à l'intérieur du bloc-moteur offrent une résistance assez élevée. Le moteur n'atteint sa puissance maximale qu'au bout d'une période d'utilisation correspondant à la consommation de 5 à 15 pleins du réservoir.

Au cours du travail

Après une assez longue phase de fonctionnement à pleine charge, laisser le moteur tourner au ralenti pendant quelques instants – le plus gros de la chaleur est alors dissipé par le flux d'air de refroidissement, ce qui évite une accumulation de chaleur qui soumettrait les pièces rapportées sur le bloc-moteur (allumage, carburateur) à des sollicitations thermiques extrêmes.

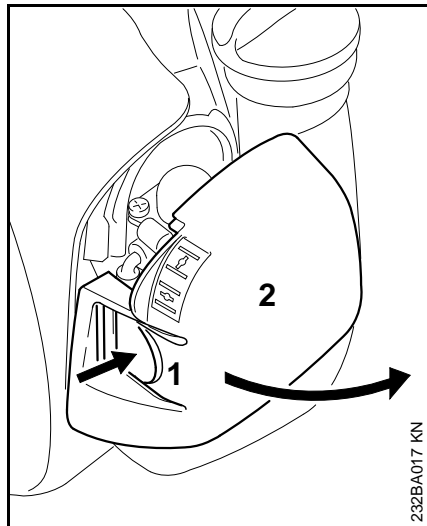
Après le travail

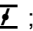
Pour une courte période d'immobilisation : laisser le moteur refroidir. Veiller à ce que le réservoir à carburant soit complètement vide et, jusqu'à la prochaine utilisation, ranger le dispositif à un endroit sec, à l'écart de

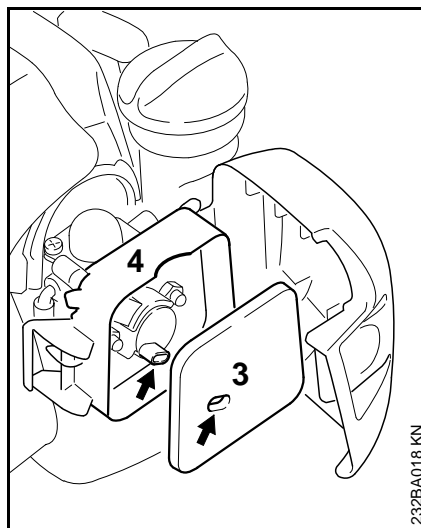
toute source d'inflammation. Pour une assez longue période d'immobilisation – voir « Rangement du dispositif » !

Nettoyage du filtre à air

Si la puissance du moteur baisse sensiblement



- Placer le levier du volet de starter dans la position  ;
- enfoncer la languette (1) et écarter le couvercle de filtre (2) ;
- nettoyer grossièrement le voisinage du filtre ;



- sortir le filtre en feutre (3) du boîtier de filtre (4) et le remplacer – pour un dépannage provisoire, le battre ou le nettoyer à la soufflette – ne pas le laver ;
- remplacer les pièces endommagées ;
- mettre le filtre en feutre (3) dans le boîtier de filtre (4) ;
- fermer le couvercle de filtre et l'encliqueter.

Gestion moteur

La régulation des émissions de nuisances à l'échappement est assurée par la définition des paramètres et la configuration des composants du moteur de base (par ex. carburation, allumage, calage de l'allumage et de la distribution), sans aucun autre composant important.

Réglage du carburateur

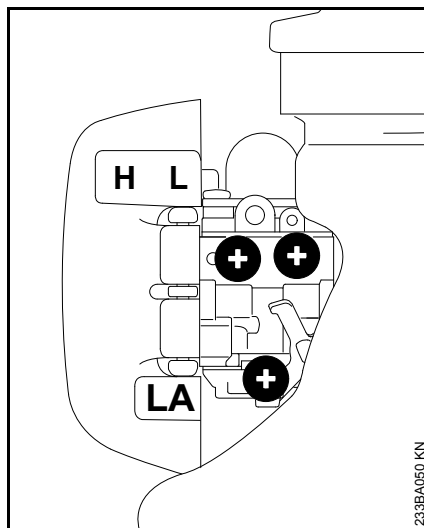
Départ usine, le carburateur est livré avec le réglage standard.

Le carburateur est ajusté de telle sorte que dans toutes les conditions de fonctionnement le moteur soit alimenté avec un mélange carburé de composition optimale.

Sur ce carburateur, des corrections au niveau de la vis de réglage de richesse à haut régime (vis H) ne sont possibles que dans d'étroites limites !

Réglage standard

- Arrêter le moteur ;
- monter l'outil de coupe ;
- contrôler le filtre à air – le remplacer si nécessaire ;
- faire contrôler le pare-étincelles – voir « Contrôle et maintenance par le revendeur spécialisé » ;



- tourner la vis de réglage de richesse à haut régime (H) dans le sens inverse des aiguilles d'une montre, jusqu'en butée – au maximum de 3/4 de tour ;
- en tournant avec doigté dans le sens des aiguilles d'une montre, serrer à fond la vis de réglage de richesse au ralenti (L), puis exécuter 1,5 tour dans le sens inverse des aiguilles d'une montre ;
- mettre le moteur en route et le faire chauffer si nécessaire ;
- en agissant sur la vis de butée de réglage de régime de ralenti (LA), régler le ralenti de telle sorte que l'outil de coupe ne soit pas entraîné.

Réglage de précision

Si, à l'utilisation en montagne ou au niveau de la mer, ou bien après un changement d'outil de coupe, le rendement du moteur n'est pas satisfaisant, il peut s'avérer nécessaire de corriger légèrement l'ajustage de la vis de réglage de richesse à haut régime (H).

Valeur de référence

Par palier de 1000 m (3300 pi) de variation d'altitude, il convient de faire tourner la vis de réglage de richesse à haut régime (H) d'env. 1/4 de tour.

Conditions de réglage

⚠ L'ajustage de la vis de réglage de richesse à haut régime (H) doit être effectué exclusivement avec une tête faucheuse ; les fils de coupe doivent alors atteindre le couteau monté sur le capot protecteur.

En cas d'utilisation d'outils de coupe métalliques, il faut conserver le réglage de base et ajuster la vis de réglage de richesse à haut régime (H) suivant la valeur de consigne.

- Procéder au réglage standard ;
- une tête faucheuse étant montée, mettre le moteur en route et le faire chauffer pendant env. 3 mn ;
- accélérer à pleins gaz ;

En montagne

- tourner la vis de réglage de richesse à haut régime (H) dans le sens des aiguilles d'une montre

(appauvrissement du mélange carburé) – jusqu'à ce que l'on ne constate plus d'augmentation sensible du régime – au maximum jusqu'en butée ;

Au niveau de la mer

- tourner la vis de réglage de richesse à haut régime (H) dans le sens inverse des aiguilles d'une montre (enrichissement du mélange carburé) – jusqu'à ce que l'on ne constate plus d'augmentation sensible du régime – au maximum jusqu'en butée.

Il est toutefois possible que le régime maximal soit déjà atteint avec le réglage standard.

Réglage du ralenti

Après chaque correction effectuée à la vis de réglage de richesse au ralenti (L), il faut généralement corriger aussi l'ajustage de la vis de butée de réglage de régime de ralenti (LA).

- Faire chauffer le moteur.


Si le moteur cale au ralenti

- Tourner lentement la vis de butée de réglage de régime de ralenti (LA) dans le sens des aiguilles d'une montre, jusqu'à ce que le moteur tourne rond – l'outil de coupe ne doit pas être entraîné.

Si l'outil de coupe est entraîné au ralenti

- Tourner la vis de butée de réglage de régime de ralenti (LA) dans le sens inverse des aiguilles d'une

montre, jusqu'à ce que l'outil de coupe s'arrête, puis exécuter encore entre 1/2 et 1 tour complet dans le même sens.

 Si l'outil de coupe ne s'arrête pas au ralenti, malgré le réglage correct, faire réparer la machine par le revendeur spécialisé.

Si le régime de ralenti n'est pas régulier, si le moteur cale malgré une correction avec la vis LA, si l'accélération n'est pas satisfaisante

Le réglage du ralenti est trop pauvre :

- tourner la vis de réglage de richesse au ralenti (L) dans le sens inverse des aiguilles d'une montre (d'env. 1/4 de tour), jusqu'à ce que le moteur tourne rond et accélère bien.

Si le régime de ralenti est irrégulier

Le réglage du ralenti est trop riche :

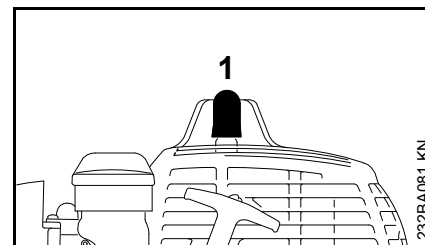
- tourner la vis de réglage de richesse au ralenti (L) dans le sens des aiguilles d'une montre (d'env. 1/4 de tour), jusqu'à ce que le moteur tourne rond et accélère encore bien.

Bougie

- En cas de manque de puissance du moteur, de difficultés de démarrage ou de perturbations au ralenti, contrôler tout d'abord la bougie ;
- après env. 100 heures de fonctionnement, remplacer la bougie – la remplacer plus tôt si les électrodes sont fortement usées – utiliser exclusivement les bougies antiparasitées autorisées par STIHL – voir « Caractéristiques techniques ».

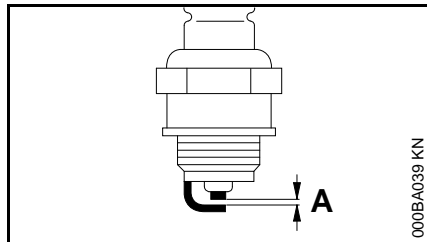
Démontage de la bougie

- Placer le commutateur d'arrêt sur la position **0** ;



- débrancher le contact de câble d'allumage de la bougie (1) ;
- dévisser la bougie.

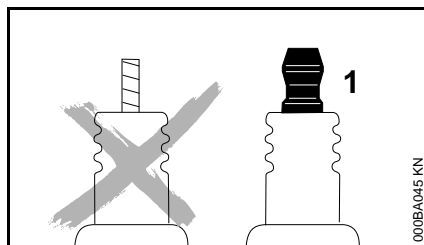
Contrôle de la bougie




- Nettoyer la bougie si elle est encrassée ;
- contrôler l'écartement des électrodes (A) et le rectifier si nécessaire – pour la valeur correcte, voir « Caractéristiques techniques » ;
- éliminer les causes de l'encrassement de la bougie.

Causes possibles :

- trop d'huile moteur dans le carburant ;
- filtre à air encrassé ;
- conditions d'utilisation défavorables.



 Sur une bougie avec écrou de bougie séparé (1), il faut impérativement visser l'écrou sur le filetage et le serrer **fermement** – sinon, un jaillissement d'étincelles pourrait se produire **risque d'incendie !**

Montage de la bougie

- Visser la bougie et emboîter fermement le contact de câble d'allumage sur la bougie.

Fonctionnement du moteur

Si le moteur ne fonctionne pas parfaitement, bien que le filtre à air ait été nettoyé et que le carburateur soit réglé correctement, ce défaut peut aussi provenir du silencieux d'échappement.

Demander au revendeur spécialisé de contrôler si le silencieux n'est pas encrassé (calaminé) !

STIHL recommande de faire effectuer les opérations de maintenance et les réparations exclusivement chez le revendeur spécialisé STIHL.

Lanceur

Pour accroître la longévité du câble de lancement, respecter les indications suivantes :

- tirer sur le câble de lancement uniquement dans le sens de traction prescrit ;
- ne pas faire frotter le câble sur le bord de la douille de guidage de câble ;
- ne pas sortir le câble au-delà de la longueur indiquée ;
- ne pas lâcher la poignée du lanceur, mais la guider à la main dans le sens opposé à la traction – voir « Mise en route / arrêt du moteur ».

Si le câble de lancement est endommagé, le faire remplacer à temps, par le revendeur spécialisé. STIHL recommande de faire effectuer les opérations de maintenance et les réparations exclusivement chez le revendeur spécialisé STIHL.

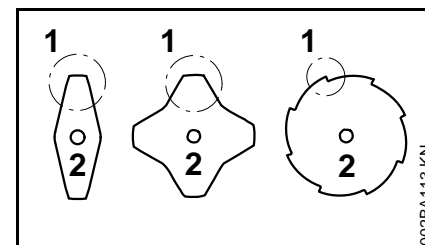
Rangement du dispositif

Pour un arrêt de travail de 3 mois ou plus,

- vider et nettoyer le réservoir à carburant à un endroit bien aéré ;
- éliminer le carburant conformément à la législation et aux prescriptions pour la protection de l'environnement ;
- mettre le moteur en marche et le laisser tourner jusqu'à ce que le carburateur soit vide, sinon les membranes du carburateur risqueraient de se coller !
- enlever l'outil de coupe, le nettoyer et le contrôler ;
- nettoyer soigneusement le dispositif, en particulier les ailettes de refroidissement du cylindre et le filtre à air !
- conserver le dispositif à un endroit sec et sûr – le ranger de telle sorte qu'il ne puisse pas être utilisé sans autorisation (par ex. par des enfants).

Affûtage des outils de coupe métalliques

- En cas d'usure minime, réaffûter les outils de coupe avec une lime d'affûtage « accessoire optionnel » – en cas d'usure prononcée ou d'ébréchure, les réaffûter avec une affûteuse ou les faire réaffûter par le revendeur spécialisé – STIHL recommande de s'adresser au revendeur spécialisé STIHL ;
- affûter assez souvent, mais en enlevant peu de matière : pour un simple réaffûtage, il suffit généralement de donner deux ou trois coups de lime ;



- affûter uniformément les lames (1) du couteau – ne pas modifier le contour du corps de l'outil (2).

D'autres instructions à suivre pour l'affûtage sont imprimées sur l'emballage de l'outil de coupe.

Équilibrage

- Après le 5e réaffûtage, environ, contrôler le balourd avec l'équilibreuse STIHL « accessoire optionnel » – au besoin, rééquilibrer l'outil de coupe ou le faire rééquilibrer par le revendeur

spécialisé – STIHL recommande de s'adresser au revendeur spécialisé STIHL.

Contrôle et maintenance par le revendeur spécialisé

Travaux de maintenance

STIHL recommande de faire effectuer les opérations de maintenance et les réparations exclusivement chez le revendeur spécialisé STIHL.

Crépine d'aspiration du réservoir à carburant

- Remplacer la crépine d'aspiration du réservoir à carburant une fois par an.

Pare-étincelles dans le silencieux

- Si la puissance du moteur baisse, faire contrôler le pare-étincelles du silencieux. Le pare-étincelles n'est monté que certains pays.

Graissage du réducteur

- Faire contrôler régulièrement la charge de graisse du réducteur, environ toutes les 25 heures de fonctionnement.

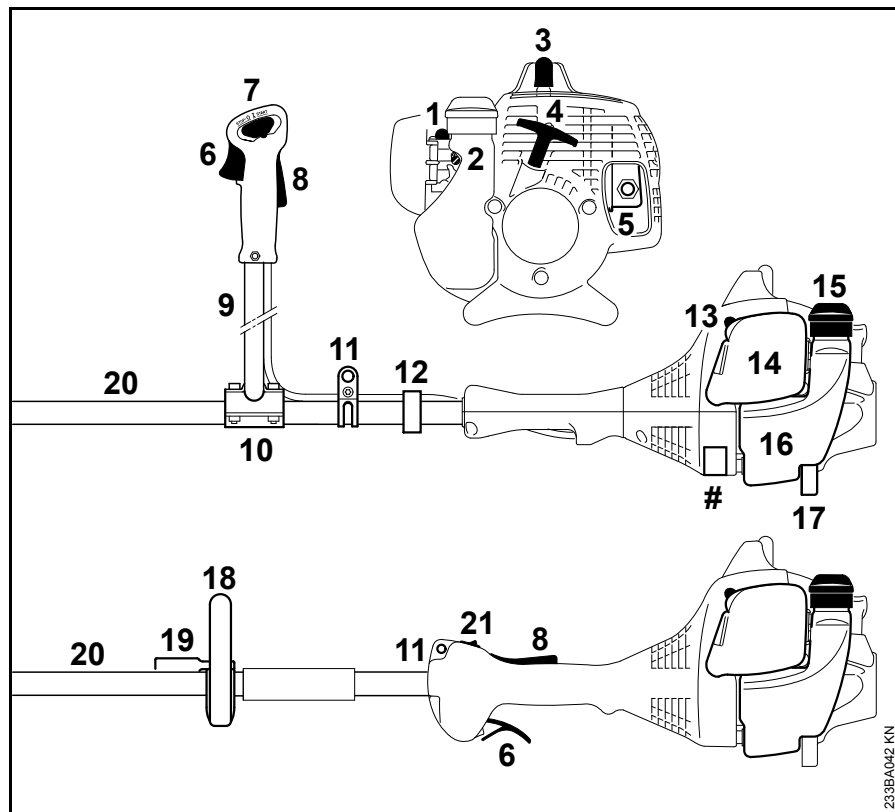
Instructions pour la maintenance et l'entretien

Les indications ci-après sont valables pour des conditions d'utilisation normales. Pour des conditions plus difficiles (ambiance très poussiéreuse etc.) et des journées de travail plus longues, réduire en conséquence les intervalles indiqués.		avant de commencer le travail	après le travail ou une fois par jour	après chaque ravitaillement	une fois par semaine	une fois par mois	une fois par an	en cas de panne	en cas de détérioration	au besoin
Machine complète	Contrôle visuel (état, étanchéité)	X		X						
	Nettoyage		X							
Poignée de commande	Contrôle du fonctionnement	X		X						
Filtre à air	Nettoyage							X		X
	Remplacement								X	
Crépine d'aspiration dans le réservoir à carburant	Contrôle							X		
	Remplacement par revendeur spécialisé ¹⁾						X		X	X
Réservoir à carburant	Nettoyage							X		X
Carburateur	Contrôle du ralenti, l'outil de coupe ne doit pas être entraîné	X		X						
	Correction du ralenti									X
Bougie	Réglage de l'écartement des électrodes							X		
	Remplacement toutes les 100 heures de fonctionnement									
Orifice d'aspiration d'air de refroidissement	Contrôle visuel		X							
	Nettoyage									X
Pare-étincelles dans le silencieux	Contrôle par revendeur spécialisé ¹⁾		X					X		
	Nettoyage ou remplacement par revendeur spécialisé ¹⁾								X	X
Vis et écrous accessibles (sauf les vis de réglage)	Resserrage									X

Les indications ci-après sont valables pour des conditions d'utilisation normales. Pour des conditions plus difficiles (ambiance très poussiéreuse etc.) et des journées de travail plus longues, réduire en conséquence les intervalles indiqués.		avant de commencer le travail	après le travail ou une fois par jour	après chaque ravitaillement	une fois par semaine	une fois par mois	une fois par an	en cas de panne	en cas de détérioration	au besoin
Outil de coupe	Contrôle visuel	X		X						
	Remplacement								X	
	Contrôle du serrage	X		X						
Outil de coupe métallique	Affûtage	X								X
Étiquettes de sécurité	Remplacement								X	

¹⁾ STIHL recommande de s'adresser au revendeur spécialisé STIHL.

Principales pièces



Définitions

1 Pompe d'amorçage manuelle

Assure une alimentation en carburant supplémentaire pour le démarrage à froid.

2 Vis de réglage du carburateur

Pour le réglage du carburateur.

3 Contact de câble d'allumage sur la bougie

Connecte la bougie avec le câble d'allumage.

4 Poignée du lanceur

La poignée du dispositif de lancement qui sert à la mise en route du moteur.

5 Silencieux avec grille pare-étincelles

Le silencieux atténue les bruits d'échappement du moteur et dirige les gaz d'échappement dans le sens opposé à l'utilisateur. La grille pare-étincelles sert à réduire le risque d'incendie.

6 Gâchette d'accélérateur

Contrôle le régime du moteur.

7 Curseur combiné

Pour positions démarrage, marche et arrêt. Maintient le volet de starter partiellement ouvert au cours du lancement, et coupe le contact d'allumage pour arrêter le moteur.

8 Blocage de gâchette d'accélérateur

Il faut l'enfoncer pour pouvoir actionner la gâchette d'accélérateur.

9 Guidon

Pour manier facilement la machine à deux mains, au cours du travail.

10 Support de guidon

Assemble le tube de protection et le guidon.

11 Anneau de suspension

Pour attacher la débroussailleuse au harnais.

12 Attache de câble de commande des gaz

Fixe le câble de commande des gaz sur le tube.

13 Levier du volet de starter

Facilite le démarrage du moteur par un enrichissement du mélange carburé.

14 Couvercle du filtre à air

Recouvre et protège le filtre à air.

15 Bouchon du réservoir à carburant

Pour fermer le réservoir à carburant.

16 Réservoir à carburant

Pour le mélange d'essence et d'huile.

17 Patte d'appui de la machine

Pour supporter la machine lorsqu'elle est posée sur le sol.

18 Poignée circulaire

Pour le guidage facile de la machine, pour travailler en sécurité avec l'outil de coupe.

19 Protection

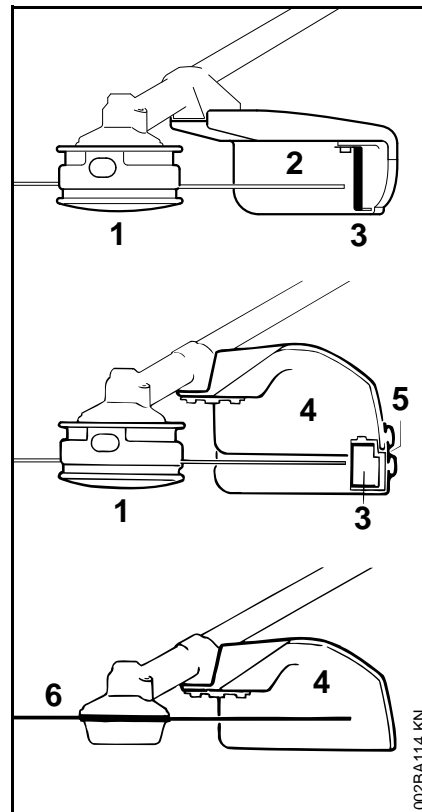
Pour garder la distance de sécurité entre l'outil de coupe et les pieds et jambes de l'utilisateur.

20 Tube

Renferme et protège l'arbre d'entraînement entre le moteur et le réducteur.

21 Commutateur d'arrêt

Le commutateur coupe le circuit du système d'allumage du moteur et arrête le moteur.



- 1 Tête faucheuse
- 2 Capot protecteur pour têtes faucheuses
- 3 Couteau rogneur

- 4 Capot protecteur avec tablier pour toutes les têtes faucheuses
- 5 Tablier
- 6 Outil de fauchage métallique

Définitions

- 1 Tête faucheuse**
L'outil de coupe, par ex. une tête faucheuse pour différentes utilisations.
- 2 Capot protecteur pour têtes faucheuses**
Le capot protecteur réduit le risque d'être blessé par des corps étrangers projetés en arrière, vers l'utilisateur, par l'outil de coupe, ou par un contact avec l'outil de coupe.
- 3 Couteau rogneur**
Couteau métallique fixé sur le capot protecteur pour rogner le fil de coupe de la tête faucheuse à la longueur correcte.
- 4 Capot protecteur avec tablier pour toutes les têtes faucheuses**
Le capot protecteur réduit le risque d'être blessé par des corps étrangers projetés en arrière, vers l'utilisateur, par l'outil de coupe, ou par un contact avec l'outil de coupe. Il n'est pas conçu pour retenir les fragments d'outils de coupe métalliques.
- 5 Tablier**
Le tablier rapporté au bas du capot protecteur doit être utilisé comme décrit au chapitre « Montage du capot protecteur ».
- 6 Outil de fauchage métallique**
L'outil de coupe métallique, par ex. un couteau, pour différentes utilisations.

Caractéristiques techniques

EPA / CEPA

L'étiquette d'homologation relative aux émissions de nuisances à l'échappement indique le nombre d'heures de fonctionnement durant lequel ce moteur satisfait aux exigences des normes antipollution fédérales.

Catégorie

A = 300 heures

B = 125 heures

C = 50 heures

Moteur

Moteur deux-temps, monocylindrique

Cylindrée : 27,2 cm³

Alésage du cylindre : 34 mm

Course du piston : 30 mm

Puissance suivant ISO 8893 : 0,75 kW à 7000 tr/mn

Régime de ralenti : 2800 tr/mn

Limitation de régime (valeur nominale) : 9500 tr/mn

Régime max. de l'arbre de sortie (prise pour outil de coupe) : 7700 tr/mn

Dispositif d'allumage

Volant magnétique à commande électronique

Bougie Bosch WSR 6 F,
(antiparasitée) : NGK BPMR 7 A
Écartement des
électrodes : 0,5 mm

Ce système d'allumage respecte toutes les exigences du règlement sur le matériel blindé du Canada ICES-002 (dispositions relatives à l'antiparasitage).

Dispositif d'alimentation

Carburateur à membrane toutes positions avec pompe à carburant intégrée

Capacité du réservoir à carburant : 0,33 l

Poids

réservoir vide, sans outil de coupe ni capot protecteur

FS 55 : 5,0 kg
FS 55 C avec ErgoStart : 5,2 kg
FS 55 R : 4,8 kg
FS 55 RC avec ErgoStart : 5,0 kg

Accessoires optionnels

Outils de coupe

Têtes faucheuses

- 1 Tête faucheuse STIHL SuperCut 20-2
- 2 Tête faucheuse STIHL AutoCut C 25-2
- 3 Tête faucheuse STIHL AutoCut 25-2
- 4 Tête faucheuse STIHL TrimCut 31-2
- 5 Tête faucheuse STIHL FixCut 25-2
- 6 Tête faucheuse STIHL PolyCut 20-3

Outils de coupe métalliques

- 7 Couteau à herbe 230-2
- 8 Couteau à herbe 230-4
- 9 Couteau à herbe 230-8



Utiliser exclusivement les outils de coupe autorisés conformément aux indications du chapitre « Combinaisons autorisées d'outil de coupe, de capot protecteur, de poignée et de harnais ».

Accessoires optionnels pour outils de coupe

- Fil de coupe pour têtes faucheuses, pour 1 à 6
- Bobine avec fil de coupe, pour 1 à 4
- Couteaux en matière synthétique, jeu de 12 pièces, pour 6
- Protecteurs de transport, pour 7 à 9

Outils d'affûtage pour outils de coupe métalliques

- Limes d'affûtage plates, pour 7 à 9
- Équilibruse STIHL, pour 7 à 9

Pièces de fixation pour outils de coupe métalliques

- Disque de pression
- Rondelle de pression
- Bol glisseur
- Écrou

Autres accessoires optionnels

- Lunettes de protection
- Protection (pour garder la distance de sécurité entre l'outil de coupe et les pieds et jambes de l'utilisateur)
- Harnais simple
- Harnais double
- Clé multiple
- Mandrin de calage
- Tournevis coudé
- Tournevis pour carburateur
- ElastoStart STIHL (câble de lancement avec poignée) pour les machines sans ErgoStart

Pour obtenir des informations d'actualité sur ces accessoires ou sur d'autres accessoires optionnels, veuillez vous adresser au revendeur spécialisé STIHL.


Instructions pour les réparations

L'utilisateur de ce dispositif est autorisé à effectuer uniquement les opérations de maintenance et les réparations décrites dans la présente Notice d'emploi. Les réparations plus poussées ne doivent être effectuées que par le revendeur spécialisé.

STIHL recommande de faire effectuer les opérations de maintenance et les réparations exclusivement chez le revendeur spécialisé STIHL. Les revendeurs spécialisés STIHL participent régulièrement à des stages de perfectionnement et ont à leur disposition les informations techniques requises.

Pour les réparations, monter exclusivement des pièces de rechange autorisées par STIHL pour ce dispositif ou des pièces similaires du point de vue technique. Utiliser exclusivement des pièces de rechange de haute qualité. Sinon, des accidents pourraient survenir et le dispositif risquerait d'être endommagé.

STIHL recommande d'utiliser des pièces de rechange d'origine STIHL.

Les pièces de rechange d'origine STIHL sont reconnaissables à leur référence de pièce de rechange STIHL, au nom **STIHL** et, le cas échéant, au symbole d'identification des pièces de rechange STIHL  (les petites pièces ne portent parfois que ce symbole).

Garantie de la Société STIHL Limited relative au système antipollution

Cette déclaration est fournie volontairement et elle se base sur l'accord conclu en avril 1999 entre l'Office de l'Environnement du Canada et STIHL Limited.

Vos droits et obligations dans le cadre de la garantie

STIHL Limited expose ici la garantie relative au système antipollution du moteur de votre type de dispositif. Au Canada, sur le plan construction et équipement, les moteurs neufs de petits dispositifs à moteur non-routiers, du millésime 1999 ou d'un millésime ultérieur, doivent, au moment de la vente, être conformes aux dispositions U.S. EPA pour petits moteurs qui ne sont pas destinés à des véhicules routiers. Le moteur du dispositif doit être exempt de vices de matériaux et de fabrication qui entraîneraient une non-conformité avec les dispositions U.S. EPA au cours des deux premières années de service du moteur, à dater de la vente au consommateur final.

Pour la période ci-dessus, STIHL Limited doit assumer la garantie sur le système antipollution du moteur de votre petit dispositif non-routier, à condition que votre moteur n'ait pas été utilisé de façon inadéquate et que sa maintenance n'ait pas été négligée ou incorrectement effectuée.

Votre système antipollution comprend aussi des pièces telles que le carburateur et l'allumage. Il peut aussi

englober des flexibles, raccords et autres composants influant sur les émissions de nuisances.

Dans un cas de garantie, STIHL Limited devra réparer le moteur de votre dispositif non-routier et ce, gratuitement pour vous. La garantie englobe le diagnostic (s'il est exécuté par un revendeur autorisé) ainsi que les pièces et la main-d'œuvre.

Durée de la garantie du fabricant

Au Canada, les moteurs de petits dispositifs à moteur non-routiers, du millésime 1999 ou d'un millésime ultérieur, bénéficient d'une garantie de deux ans. Si une pièce du système antipollution du moteur de votre dispositif s'avère défectueuse, elle est réparée ou remplacée gratuitement par STIHL Limited.

Obligations du propriétaire :

En tant que propriétaire du moteur du petit dispositif à moteur non-routier, vous êtes responsable de l'exécution de la maintenance indispensable prescrite dans la notice d'emploi de votre dispositif. STIHL Limited recommande de conserver toutes les quittances des opérations de maintenance exécutées sur le moteur de votre dispositif non-routier. STIHL Limited ne peut toutefois pas vous refuser une garantie sur votre moteur pour la seule raison que des quittances manqueraient ou que vous auriez négligé d'assurer l'exécution de toutes les opérations de maintenance prévues.

Pour la maintenance ou les réparations qui ne sont pas effectuées sous garantie, il est permis d'employer des pièces de rechange ou des méthodes de

travail assurant une exécution et une longévité équivalant à celles de l'équipement de première monte et ce, sans que cela réduise, pour le fabricant du moteur, l'obligation de fournir une garantie.

En tant que propriétaire du petit dispositif à moteur non-routier, vous devez toutefois savoir que STIHL Limited peut vous refuser la garantie si le moteur ou une partie du moteur de votre dispositif tombe en panne par suite d'une utilisation inadéquate, d'un manque de précaution, d'une maintenance incorrecte ou de modifications non autorisées.

Vous êtes tenu d'amener le moteur de votre petit dispositif à moteur non-routier à un centre de Service Après-Vente STIHL dès qu'un problème survient. Les travaux sous garantie seront exécutés dans un délai raisonnable qui ne devra pas dépasser 30 jours.

Si vous avez des questions concernant vos droits et obligations dans le cadre de la garantie, veuillez consulter un conseiller du Service Après-Vente STIHL (www.stihl.ca)

ou écrire à :

STIHL Ltd.,
1515 Sise Road
Box 5666
CA-LONDON ONTARIO ; N6A 4L6

Étendue de la garantie fournie par STIHL Limited

STIHL Limited garantit à l'acheteur final, et à tout acquéreur ultérieur, que le moteur de votre petit dispositif non-routier satisfait à toutes les prescriptions en vigueur au moment de la vente, sur le plan construction, fabrication et

équipement. STIHL Limited garantit en outre au premier acquéreur et à tous les acquéreurs ultérieurs, pour une période de deux ans, que votre moteur est exempt de tout vice de matériaux et de tout vice de fabrication entraînant une non-conformité avec les prescriptions en vigueur.

Période de garantie

La période de garantie commence le jour où le premier acheteur fait l'acquisition du moteur du dispositif et où vous avez retourné à STIHL Ltd. la carte de garantie portant votre signature. Si une pièce faisant partie du système antipollution de votre dispositif est défectueuse, la pièce est remplacée gratuitement par STIHL Limited. Durant la période de garantie, une garantie est fournie pour toute pièce sous garantie qui ne doit pas être remplacée à l'occasion d'une opération de maintenance prescrite ou pour laquelle « la réparation ou le remplacement, si nécessaire » n'est prévu qu'à l'occasion de l'inspection périodique. Pour toute pièce sous garantie qui doit être remplacée dans le cadre d'une opération de maintenance prescrite, la garantie est fournie pour la période qui précède le premier remplacement prévu.

Diagnostic

Les coûts occasionnés pour le diagnostic ne sont pas facturés au propriétaire, si ce diagnostic confirme qu'une pièce sous garantie est défectueuse. Si, par contre, vous revendiquez un droit à la garantie pour une pièce et qu'une défectuosité n'est pas constatée au diagnostic, STIHL Limited vous facturera les coûts du test

des émissions de nuisances. Le diagnostic de la partie mécanique doit être exécuté par un revendeur spécialisé STIHL. Le test des émissions de nuisances peut être exécuté soit par

STIHL Incorporated,
536 Viking Drive, P.O. Box 2015,
Virginia Beach, VA 23452,

soit par un laboratoire indépendant.

Travaux sous garantie

STIHL Limited doit faire éliminer les défauts sous garantie par un revendeur spécialisé STIHL ou par une station de garantie. Tous les travaux seront effectués sans facturation au propriétaire, si l'on constate qu'une pièce sous garantie est effectivement défectueuse. Toute pièce autorisée par le fabricant ou pièce de rechange équivalente peut être utilisée pour toute opération de maintenance ou réparation sous garantie touchant une pièce du système antipollution et elle doit être mise gratuitement à la disposition du propriétaire, si la pièce en question est encore sous garantie. STIHL Limited assume la responsabilité de dommages causés à d'autres composants du moteur par la pièce encore couverte par la garantie.

La liste suivante précise les pièces couvertes par la garantie antipollution :

- Filtre à air
- Carburateur
- Pompe d'amorçage
- Starter (volet de starter / enrichissement de démarrage à froid)
- Tringleries de commande

- Coude d'admission
- Volant magnétique ou allumage électronique (module d'allumage)
- Bougie
- Catalyseur (le cas échéant)
- Réservoir à carburant
- Bouchon du réservoir à carburant
- Conduit de carburant
- Raccords du conduit de carburant
- Colliers
- Pièces de fixation

Pour faire valoir un droit à la garantie

Présenter le dispositif à un revendeur spécialisé STIHL, avec la carte de garantie signée.

Prescriptions de maintenance

Les prescriptions de maintenance qui figurent dans la présente Notice d'emploi présument que l'on utilise le mélange d'essence et d'huile prescrit pour moteur deux-temps (voir aussi chapitre « Carburant »). En cas d'utilisation de carburants et d'huiles d'autre qualité ou d'un taux de mélange différent, il peut être nécessaire de raccourcir les intervalles de maintenance.

Restrictions

Cette garantie sur le système antipollution ne couvre pas :

1. les réparations et remplacements nécessaires par suite d'une utilisation inadéquate ou bien d'une négligence ou de l'omission des opérations de maintenance indispensables ;
2. les réparations exécutées incorrectement ou les remplacements effectués avec des pièces non conformes aux spécifications de STIHL Limited et ayant un effet défavorable sur le rendement et/ou la longévité, et les transformations ou modifications que STIHL Limited n'a ni recommandées, ni autorisées par écrit ;
3. le remplacement de pièces et d'autres prestations de services et réglages qui s'avèrent nécessaires dans le cadre des travaux de maintenance indispensables, à l'échéance du premier remplacement prévu, et par la suite.

0458-233-8221-C

CDN



www.stihl.com



0458-233-8221-C