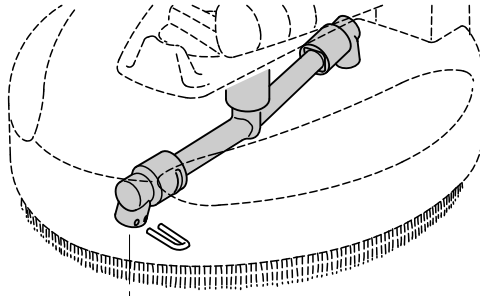


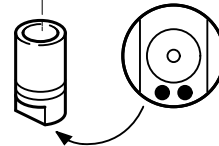
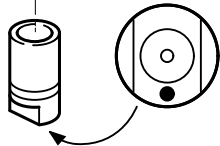
003BB005 KN

1



RA 101

RE 88, RE 90, RE 95
 RE 106 K, RE 107 (60 Hz in JP)
 RE 116 K, RE 117 (60 Hz in JP, TT, GY)
 RE 107 (60 Hz in BR: 127V, 220V)
 RE 110 (60 Hz in BR: 127V, 220V)
 RE 141/161 K, RE 142/162, RE 143/163



RE 98
 RE 106/116/126 K
 RE 106 K, RE 107 (60 Hz in PH, TT, GY)
 RE 107/117/127 PLUS, RE 108/118/128 PLUS
 RE 109/119/129 PLUS
 RE 100/110/120/130 PLUS

RA 101

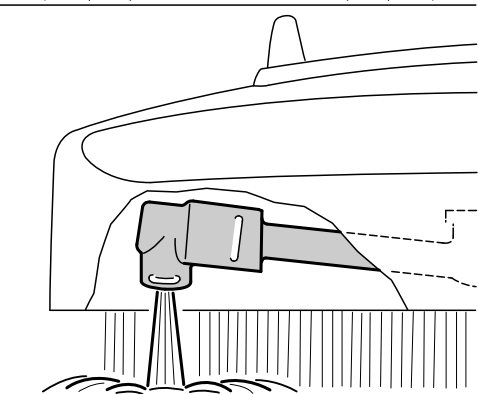
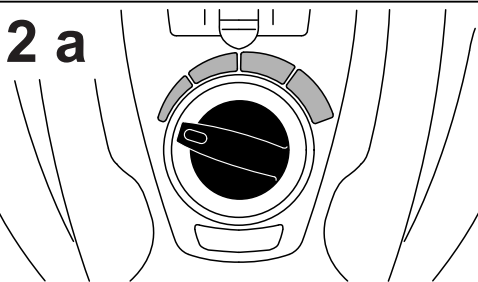
RE 250/260 K
 RB 220 K

+

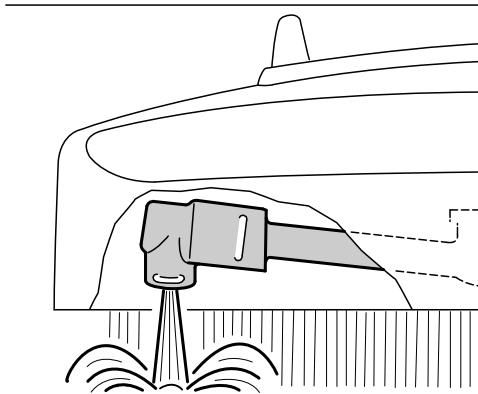
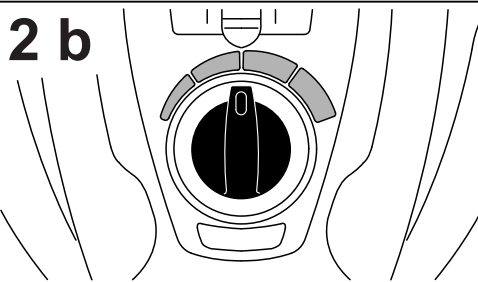
4915 500 6701

RE 104 K
 RE 106 K (→ 2001)
 RE 220 K
 RE 240 K

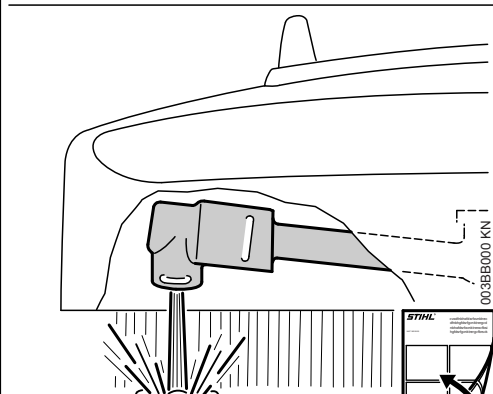
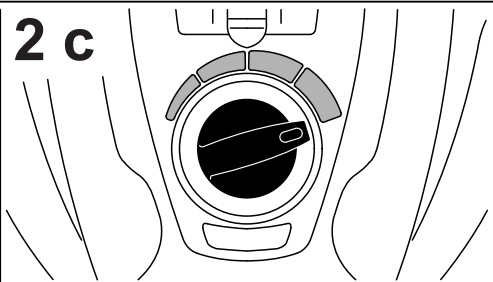
2 a



2 b

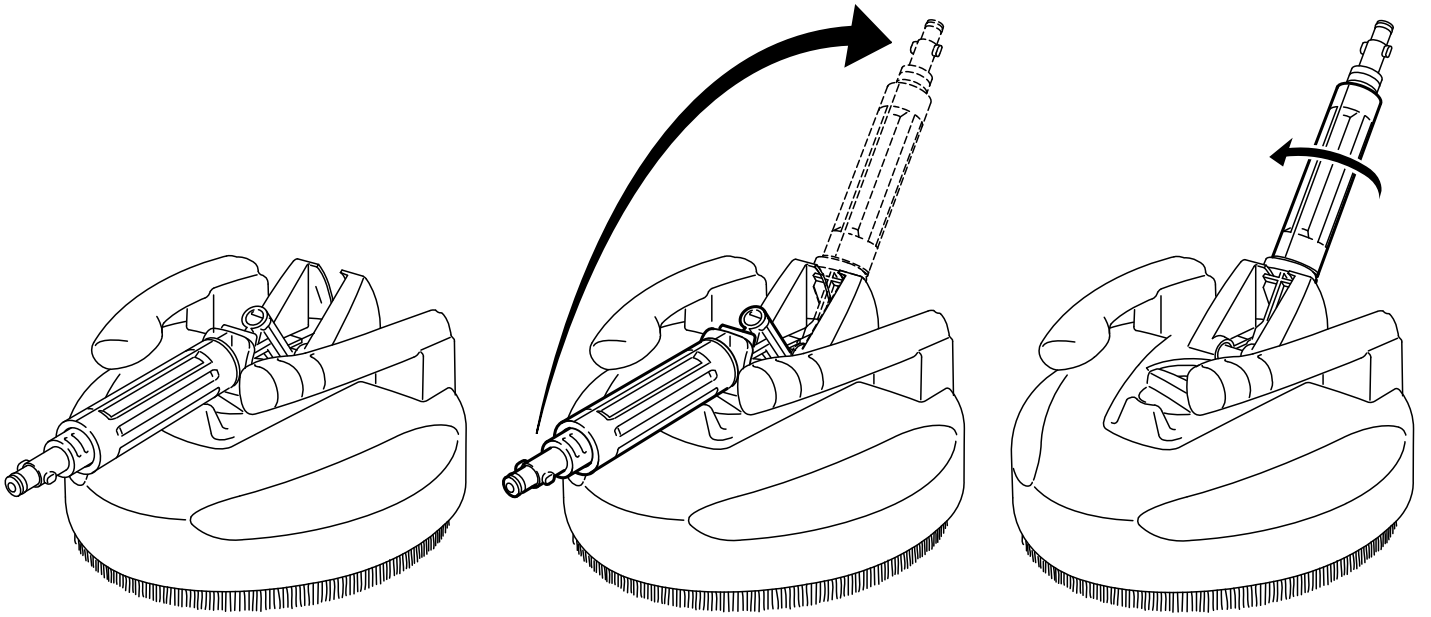


2 c

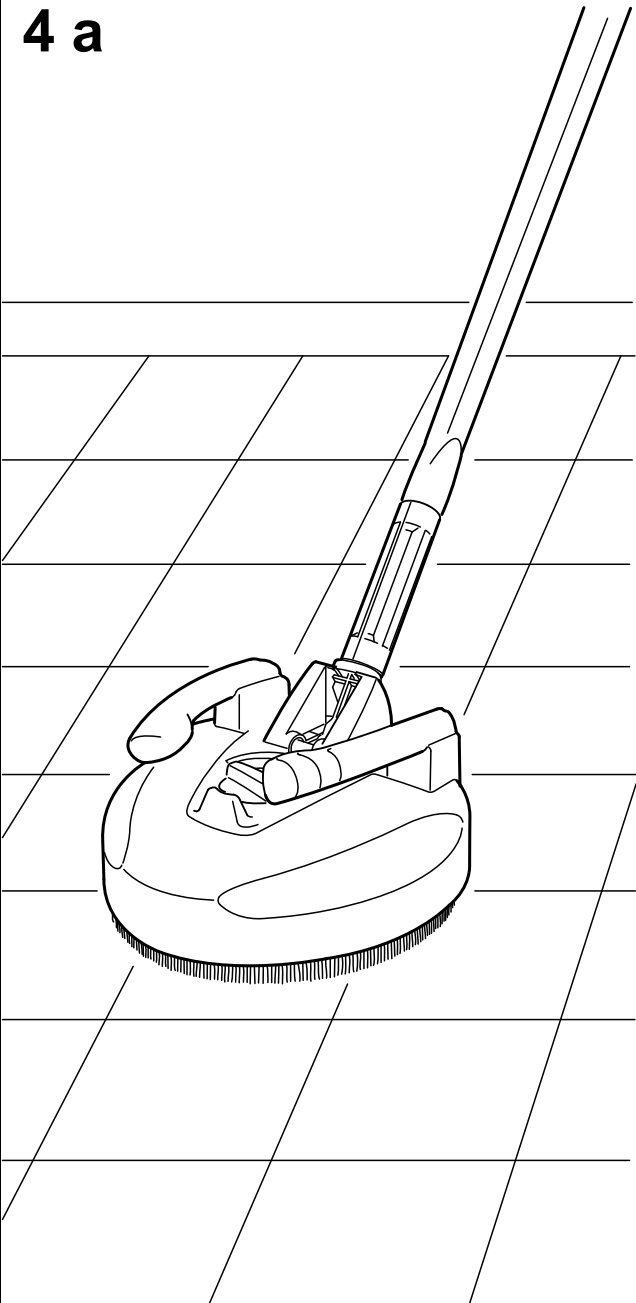


003BB000 KN

3



4 a



4 b

