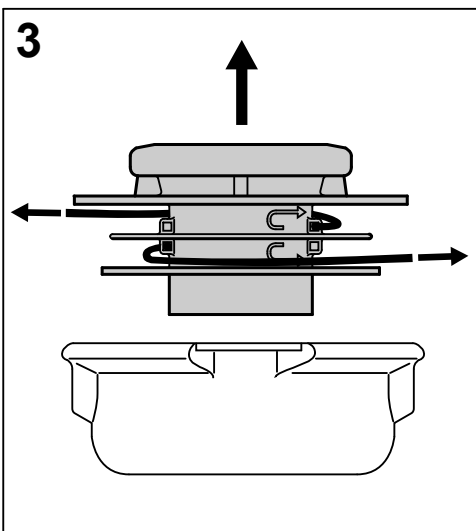
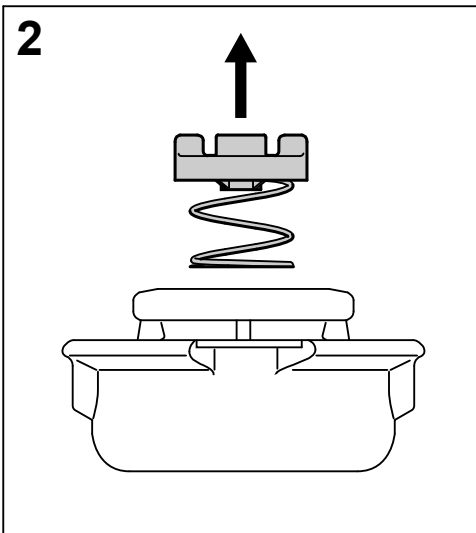
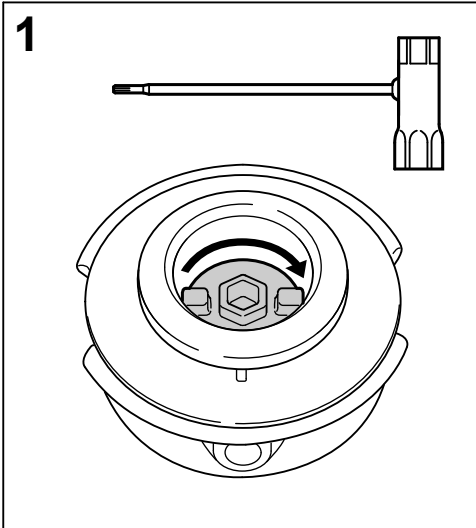
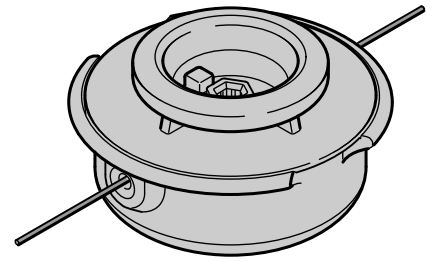


TrimCut 31-2

TrimCut 41-2

TrimCut 51-2



4

TrimCut 31-2			
A	2,4 mm 0.095 in.	2,7 mm 0.105 in.	3,0 mm 0.120 in.
B1, B2	8 m 26 ft.	6 m 19 ft.	5 m 16 ft.

TrimCut 41-2			
A	2,4 mm 0.095 in.	2,7 mm 0.105 in.	3,0 mm 0.120 in.
B1, B2	8 m 26 ft.	6 m 19 ft.	5 m 16 ft.

TrimCut 51-2			
A	2,7 mm 0.105 in.	3,0 mm 0.120 in.	3,3 mm 0.130 in.
B1, B2	6 m 19 ft.	5 m 16 ft.	4 m 13 ft.

