

STIHL[®]

STIHL FSE 60, 71, 81

Instruction Manual



Contents

Guide to Using this Manual	2
Safety Precautions and Working Techniques	3
Approved Combinations of Cutting Tool, Deflector, Handle and Harness	9
Mounting the Drive Tube	10
Mounting the Loop Handle	10
Mounting the Deflector	11
Mounting Cutting Tools	11
Connecting to Power Supply	13
Fitting the Harness	14
Switching On	15
Switching Off	15
Storing the Machine	15
Replacing the Nylon Line	16
Maintenance Chart	20
Main Parts and Controls	21
Specifications	22
Special Accessories	23
Maintenance and Repairs	23
Certificate of Conformity	24
Disposal	24

Dear Customer,

Thank you for choosing a quality engineered STIHL product.

This machine has been built using modern production techniques and comprehensive quality assurance. Every effort has been made to ensure your satisfaction and troublefree use of the machine.

Please contact your dealer or our sales company if you have any queries concerning your machine.



Hans Peter Stihl



STIHL®

FSE 60, FSE 71, FSE 81

Guide to Using this Manual

Pictograms

All the pictograms attached to the machine are shown and explained in this manual.

The operating and handling instructions are supported by illustrations.

Symbols in text

The individual steps or procedures described in the manual may be marked in different ways:

- A bullet marks a step or procedure without direct reference to an illustration.


A description of a step or procedure that refers directly to an illustration may contain item numbers that appear in the illustration.


Example:


Loosen the screw (1)


Lever (2) ...

In addition to the operating instructions, this manual may contain paragraphs that require your special attention. Such paragraphs are marked with the symbols described below:

 Warning where there is a risk of an accident or personal injury or serious damage to property.

 Caution where there is a risk of damaging the machine or its individual components.

 Note or hint which is not essential for using the machine, but may improve the operator's understanding of the situation and result in better use of the machine.

 Note or hint on correct procedure in order to avoid damage to the environment.

* Equipment and features

This instruction manual may refer to several models with different features. Components that are not installed on all models and related applications are marked with an asterisk (*). Such components may be available as special accessories from your STIHL dealer.

Engineering improvements

STIHL's philosophy is to continually improve all of its products. As a result, engineering changes and improvements are made from time to time. If the operating characteristics or the appearance of your machine differ from those described in this manual, please contact your STIHL dealer for assistance.

Therefore some changes, modifications and improvements may not be covered in this manual.

Safety Precautions and Working Techniques



Special safety precautions must be observed when working with this electric power tool because of its high-speed cutting attachment.



It is important that you read and understand the instruction manual before using your power tool for the first time. Keep it in a safe place for later

reference. Non-observance of the following safety precautions may cause serious or even fatal injury.

Always observe local safety regulations, standards and ordinances.

If you have never used this power tool model before: Have your servicing dealer or a trained expert show you how to operate your power tool or attend a special course of training in power tool operation.

Minors should never be allowed to use this power tool.

Children, bystanders and animals should not be allowed in the area where a power tool is in use.

When the machine is not in use, shut it off so that it does not endanger others and secure it against unauthorized use.

The operator is responsible for avoiding injury to third parties and damage to their property.

Do not lend or rent your power tool without the instruction manual. Be sure that anyone using your power tool understands the information contained in this manual.

You must be rested, healthy and in good physical condition to operate a power tool.

If you have any condition that may be aggravated by strenuous work, check with your doctor before operating the power tool.

Do not operate this power tool while under the influence of any substance (drugs, alcohol) which might impair vision, dexterity or judgment.

Depending on the cutting tool fitted, use your power tool only for cutting grass, wild growth and similar materials.

Do not use your power tool for any other purpose since this may result in accidents or damage to the machine.

Never attempt to modify your power tool in any way since this may also result in accidents or damage to the machine.

To reduce the risk of accidents, always disconnect the plug from the power supply before carrying out any work on the power tool.

Never jerk the power cord to disconnect the plug from the wall outlet. To unplug, grasp the plug, not the cord.

Unsuitable extension cords can be extremely dangerous.

Make sure that the conductor cross section (wire gauge) of the extension cord meets the minimum requirements (see "Connecting to Power Supply").

The plug and coupling of the extension cord must be waterproof and positioned so that they cannot come into contact with water.

Only use cutting attachments and accessories that are explicitly approved for this power tool model by STIHL or are technically identical. If you have any questions in this respect, consult a specialist dealer. To reduce the risk of accidents or damage to the machine, use only high quality tools and replacement parts.

STIHL recommends the use of STIHL original tools and accessories. The characteristics of these components are specifically designed to match your machine and meet your performance requirements.

The deflector provided with your machine may not protect the operator from all foreign objects (stones, glass, wire, etc.) thrown by the rotating cutting attachment. Thrown objects may also ricochet and strike the operator.

Clothing and Equipment

Wear proper protective clothing and equipment.



Clothing must be sturdy but allow complete freedom of movement. Wear snug-fitting clothing – an overall and jacket combination is recommended, do not wear a coat.

Do not wear loose-fitting garments, scarves, jewelry or anything that could restrict movement or become entangled with wood, brush or moving parts of the machine. Tie up and confine long hair (e.g. with a hair net, cap, hard hat, etc.).



Wear **sturdy shoes** with non-slip soles.



To reduce the risk of injury from thrown objects, always wear a face shield and **safety glasses**.

Warning! A face shield alone does not provide adequate eye protection.

Wear hearing protection, e.g. ear plugs or ear muffs.



Wear **heavy-duty gloves**, preferably made of leather.

STIHL offers a comprehensive range of safety clothing and equipment for personal protection.

Transporting the Power Tool

Always switch off the power tool and unplug it from the power supply.

Carry the unit hanging from the shoulder strap or properly balanced by the drive tube or loop handle.

By vehicle: Properly secure the power tool to prevent turnover and damage.

Before Starting Work

Check that your power tool is properly assembled and in good condition – refer to appropriate chapters in the instruction manual:

- Voltage and frequency of the machine (see rating plate) and the voltage and frequency of your power supply must be the same.
- Check the connecting cord, plug and extension cord for damage. Never use damaged cords, couplings and plugs or connecting cords that do not comply with regulations.
- Receptacles of extension cords must be splash-proof.
- The combination of cutting tool, deflector, handle and shoulder strap must be approved and all parts properly assembled.

To reduce the risk of injury, do not use metal cutting tools.

- To reduce the risk of stumbling, position and mark the connecting cord so that it cannot be damaged or endanger others.
- Starting lockout lever and trigger switch must move freely – the switch must return to the idle position when it is released.
- Check that the cutting tool is properly and securely mounted and in good condition.
- Check protective devices (e.g. deflector for cutting tool) for damage and wear. Replace damaged parts. Never operate your power tool with a damaged deflector.
- Never attempt to modify the controls or safety devices.
- Keep handles dry and clean, free from dirt, for safe control.
- Adjust handle to suit your height.

To reduce risk of personal injury, do not operate your machine if it is damaged or not properly assembled.

To reduce the risk of electric shock:

- Always connect the power tool to a properly installed wall outlet.
- Make sure the extension cord used complies with the regulations for the intended application.
- Check that insulation of power cord extension cord, plug and coupling is in good condition.

Before switching on the power tool, make sure the cutting tool is not touching the ground or any other object.



To reduce the risk of injury, avoid contact with the cutting tool.

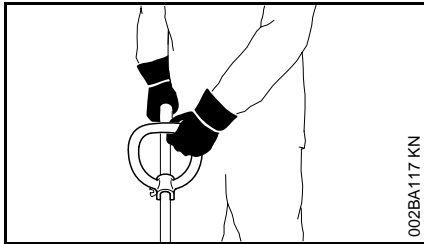


Note that the cutting tool continues to rotate for a short period after the power tool is switched off – **flywheel effect**.

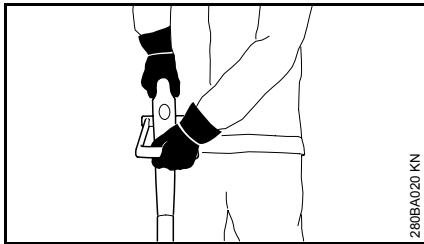
Holding and Controlling the Unit

Always hold the machine **firmly with both hands** on the handles. Make sure you always have a firm footing.

Always hold the machine on the right-hand side of your body.



Left hand on loop handle, right hand on the control handle.



Left hand on loop handle, right hand on the control handle.

During Operation

In case of imminent danger or in an emergency, switch off the motor immediately – release the trigger switch and starting lockout.



To reduce the risk of personal injury from thrown objects, do not allow any other persons within a radius of 15 meters of your own position.

Also maintain this distance to reduce the risk of damage to property (parked vehicles, windows).



The drive motor is not waterproof. To reduce the risk a short circuit or electrocution, never work with the power tool in the rain or in wet or very damp locations.

Do not leave the machine outdoors in the rain.

Do not cut wet grass.

Take special care in slippery conditions on slopes, uneven ground, etc.

Avoid stumbling on stumps, roots, rocks or in ditches.

Be particularly alert and cautious when wearing hearing protection because your ability to hear warnings (shouts, alarms, etc.) is restricted.

To reduce the risk of accidents, take a break in good time to avoid tiredness or exhaustion.

Work calmly and carefully – in daylight conditions and only when visibility is good – ensure you do not endanger others – stay alert at all times.

If your power tool is subjected to unusually high loads for which it was not designed (e.g. heavy impact or a fall), always check that it is in good condition before continuing work – see also "Before Starting Work".

Make sure the safety devices are working properly. Do not continue operating your power tool if it is damaged. In case of doubt, have the machine checked by your servicing dealer.

To **reduce the risk of personal injury** from thrown objects, never operate the unit without the proper deflector for the type of cutting tool being used.



Before cutting, inspect the area for stones, glass, pieces of metal or other solid objects which could damage the cutting tool or be thrown and cause

damage to property (e.g. parked vehicles, windows).

Special care must be taken when working in difficult, over-grown terrain.



If the power cord is damaged, immediately disconnect the plug from the power supply to avoid the risk of electrocution.

Never jerk the power cord to disconnect the plug from the wall outlet. To unplug, grasp the plug, not the cord.

Avoid damage to the connecting cord. Do not drive over it, pinch or pull it.

Position the connecting and extension cords correctly:

- Do not chafe on edges, pointed or sharp objects
- Do not squeeze through gaps in doors or windows
- If cords are twisted – unplug the power tool and straighten them out.
- Never touch the rotating cutting tool
- Always unwind cord from cable drums to full length to reduce the risk of fire from overheating.

Before leaving the machine unattended: Switch off and disconnect the plug from the power supply.

Check the cutting tool at regular short intervals. If behavior of cutting tool changes, check it immediately:

- Switch off the machine, hold it firmly and press the cutting tool into the ground to bring it to a standstill, and disconnect the plug from the power supply.
- Check condition and tightness – look for cracks.

- Replace damaged cutting tools immediately, even if they have only superficial cracks.
- Clean grass and plant residue off the cutting tool mounting at regular intervals – remove obstructions from around the cutting tool and deflector.

To reduce the risk of unintentional motor start and injury, always switch off the machine and disconnect the plug from the power supply before replacing the cutting tool.

Do not continue using damaged or cracked cutting tools and do not attempt to repair them by welding, straightening or modifying the shape (out of balance).

This may cause parts of the cutting tool to come off and hit the operator or bystanders at high speed and result in serious or fatal injuries.

Use only the deflector with properly mounted line limiter blade to ensure that the mowing lines are automatically trimmed to the approved length.

To reduce the risk of injury, always switch off the machine and disconnect the plug from the power supply before manually adjusting the nylon line.

Using the unit with over-long nylon cutting lines reduces the motor's operating speed. This results in overheating and damage to the motor.

Maintenance and Repairs

To **reduce the risk of injury** from the motor starting unintentionally, always switch off the machine and disconnect the plug from the power supply before carrying out any maintenance work on the machine.

Service the machine regularly. Do not attempt any maintenance or repair work not described in the instruction manual. Have all other work performed by a servicing dealer.

STIHL recommends that you have servicing and repair work carried out exclusively by an authorized STIHL servicing dealer. STIHL dealers are regularly given the opportunity to attend training courses and receive technical information bulletins on engineering changes.

Use only high quality replacement parts since there is otherwise a risk of accidents or damage to the machine. If you have any questions in this respect, consult a servicing dealer.

STIHL recommends you use only original STIHL replacement parts. The characteristics of these parts are specifically designed to match your machine model and meet your performance requirements.

Never attempt to modify your machine in any way since this can be extremely dangerous.

Regularly check that the insulation of the power cord and plug is in good condition and shows no signs of ageing (brittleness).

Electrical components, e.g. power cord, may only be repaired or replaced by a qualified electrician.

Use a cloth to clean plastic parts of the machine. Aggressive cleaning agents may damage plastics.

Do not spray the machine with water.

Check tightness of mounting screws on safety devices and cutting tool and retighten if necessary.

Clean the cooling air inlets in the motor housing as required.

Store the machine in a safe and dry place.

Approved Combinations of Cutting Tool, Deflector, Handle and Harness

Cutting tools

- 1 STIHL AutoCut C 5-2 mowing head
- 2 STIHL AutoCut 5-2 mowing head

Deflector

- 3 Deflector with blade for mowing heads **only** (see “Mounting the Deflector”)

Handle

- 4 Loop handle

Harness

- 5 Shoulder strap may be used

Equipment

Among other parts, the complete trimmer includes:

- Cutting tool
- Deflector
- Handle
- Shoulder strap (special accessory)

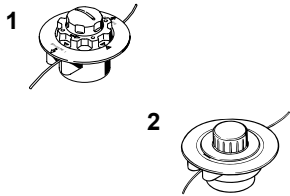
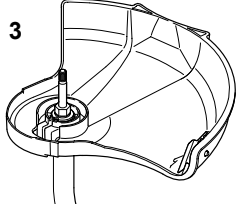


Approved Combinations

Select correct combination from the table according to the cutting tool you intend to use.

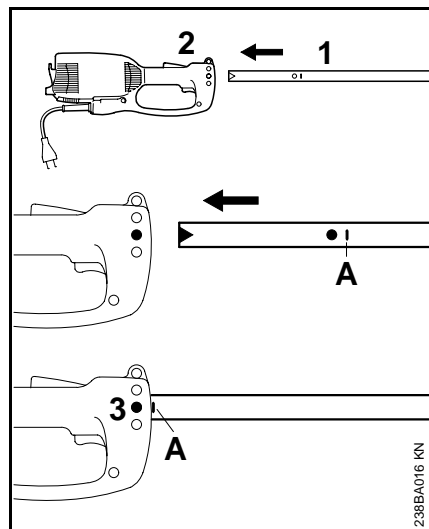
⚠ For safety reasons only the tool, deflector, handle and harness versions shown in the table may be used together. No other combinations are permitted because of the **risk of accidents and personal injury**.

Only mowing heads (1, 2) may be used on trimmers with a curved drive tube and loop handle.

⚠ To reduce the risk of personal injury, take special care to avoid contact with the rotating cutting tool.

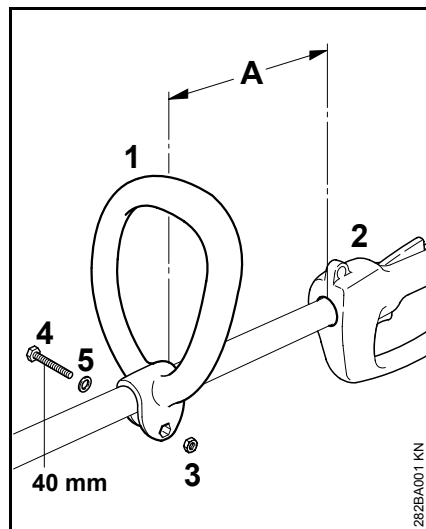
Cutting tool	Deflector	Handle	Harness/Strap
			

Mounting the Drive Tube



- Pull the protective cap off the drive tube.
- Push the drive tube (1) into the motor housing (2) as far as the mark (A), turning the drive tube back and forth at the same time.
- Tighten down the screw (3) in the housing.

Mounting the Loop Handle



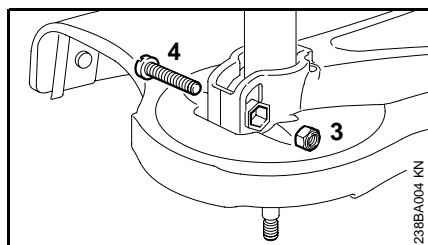
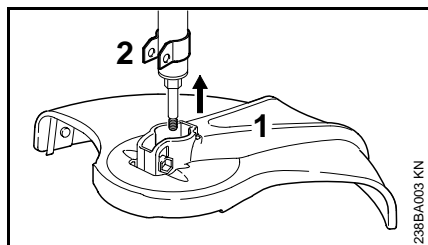
Mounting the Loop Handle

- Fit the loop handle (1) on the drive tube at a distance A of about 30 cm from the control handle (2).
- Insert the hex nut (3) in the loop handle.
- Squeeze the ends of the clamp together, fit the M6x40 screw (4) with washer (5) from the other wise and tighten down firmly.

Adjusting Loop Handle to Most Comfortable Position

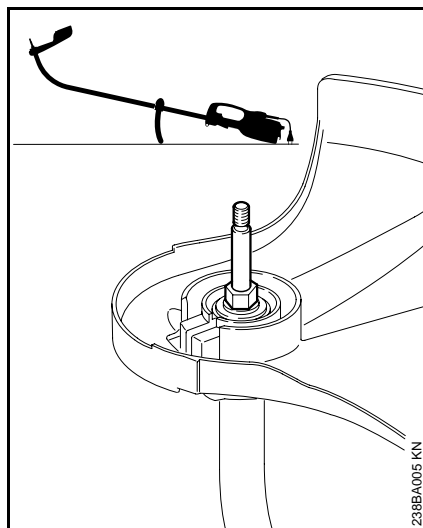
- Loosen the screw (4).
- Move the loop handle along the drive tube to the required position – tighten down the screw firmly.

Mounting the Deflector



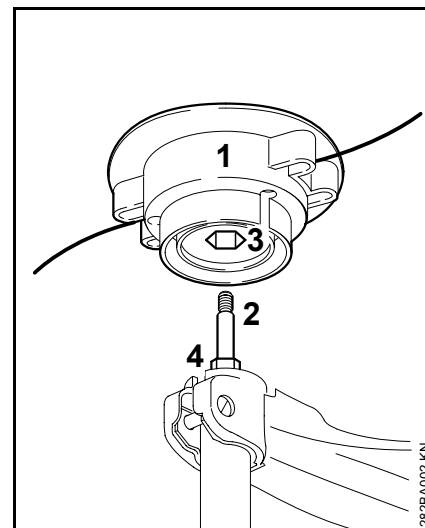
- Push the deflector (1) onto the clamp (2) as far as stop.
- Fit the locknut (3) in the hex recess on the deflector.
- Make sure the holes line up.
- Insert the M6x30 screw (4) and tighten it down firmly.

Mounting Cutting Tools



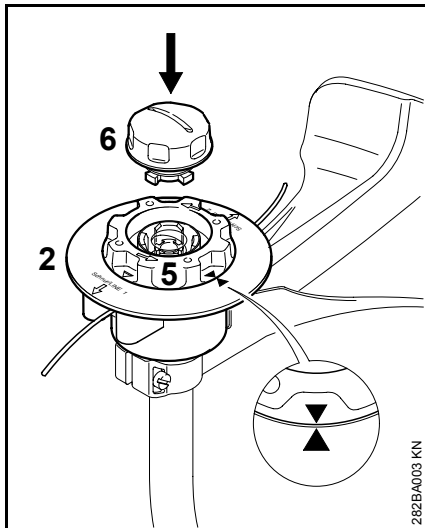
Preparations

- Switch off the motor.
- Lay your trimmer on its back with the loop handle pointing down and the output shaft facing up.

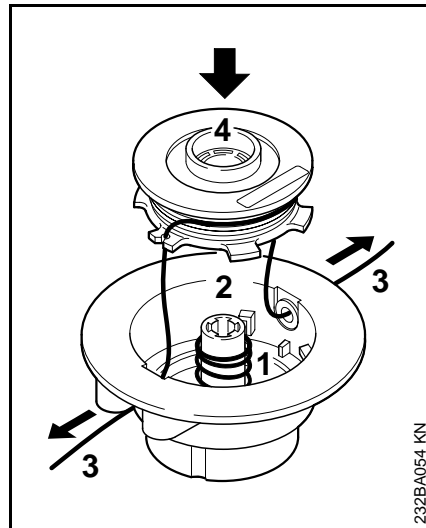


Mounting STIHL AutoCut C 5-2 Mowing Head

- Slide the mowing head (1) over the shaft (2) and engage hexagon recess (3) on external hexagon (4).



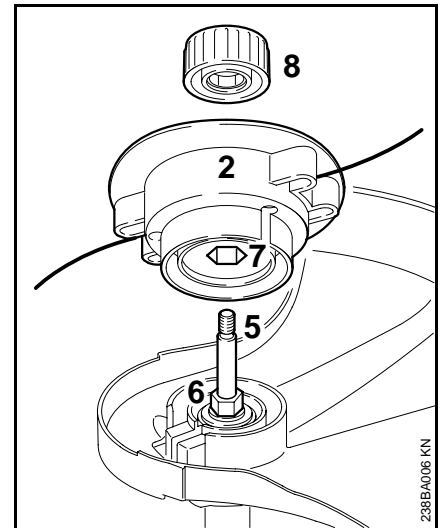
- Screw the spool (5) clockwise until the two arrow points are in alignment – secure the spool in this position.
- Fit cap (6) in the spool, press it down as far as stop and rotate it clockwise at the same time.
- Rotate cap as far as stop and tighten down by hand.



Mounting the STIHL AutoCut 5-2

Assembling the Mowing Head

- Fit the spring (1) in the head (2).
- All other steps are described in the instruction sheet provided.
- Wind the nylon lines (3) onto the spool (4).
 - Thread the ends of the nylon lines through the sleeves and place the spool in the head.



Mounting the Mowing Head

- Push the mowing head (2) over the shaft (5) and engage the hex recess (7) on the external hexagon (6).
- Place the cap (8) on the head – turn it clockwise as far as stop and then tighten it down firmly.

Keep instruction sheet for mowing head in a safe place.

Connecting to Power Supply

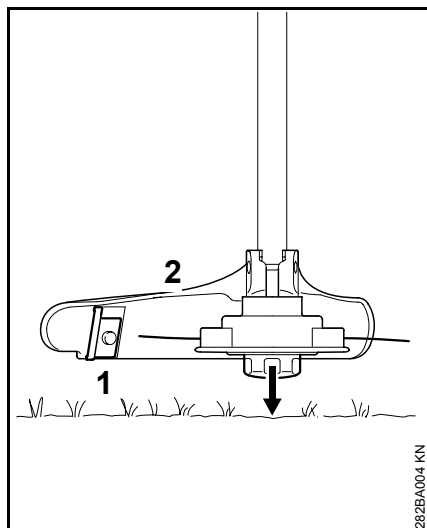
Mains voltage and operating voltage must be the same.

The machine must be connected to the power supply via a ground-fault circuit interrupter.

The mains connection must comply with IEC 60364 and country-specific regulations.

Check the minimum conductor cross section required for extension cords.

Cord length	Cross section
up to 25 m	1.0 mm ²
25 m to 50 m	1.5 mm ²



Adjusting Nylon Line

STIHL AutoCut mowing head

- Hold the rotating mowing head horizontal to the ground – tap it on the ground – about **3cm** fresh line is advanced.
- The blade (1) on the deflector (2) trims surplus line to the correct length. Avoid tapping the head more than once.

💡 Line feed operates only if **both** lines are at least **2.5cm** long.

If the nylon lines are shorter than 2.5cm:

- Switch off the machine.
- Unplug the power cord from the power supply.
- Turn the machine in its back.
- Push home the cap on the spool as far as stop.
- Pull the ends of the nylon line out of the spool to the required length.

If the spool is empty, see “Replacing Nylon Line”.

Removing the Mowing Head

STIHL AutoCut

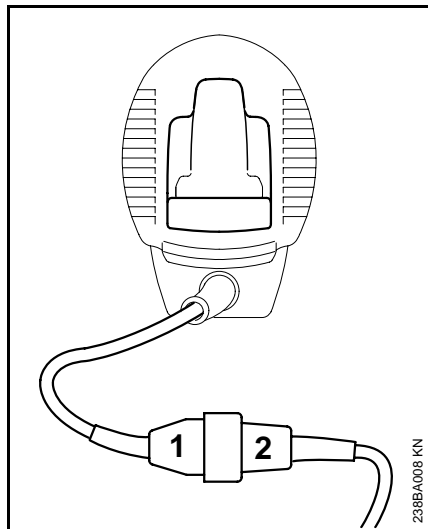
- Hold the mowing head steady.
- Unscrew the cap counterclockwise.

Replacing Cutting Line

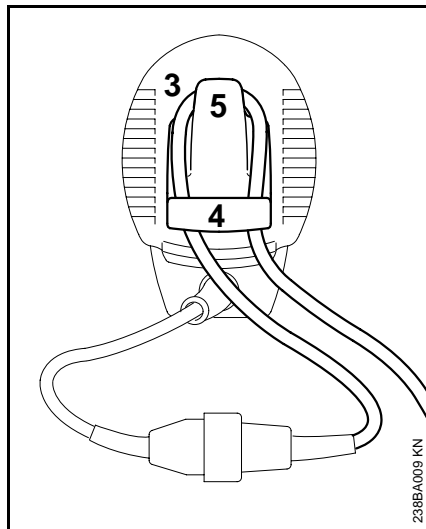
STIHL AutoCut

See chapter on “Replacing Nylon Line”.

Fitting the Harness



- Insert the unit's plug (1) into extension cord coupling (2).



Strain Relief

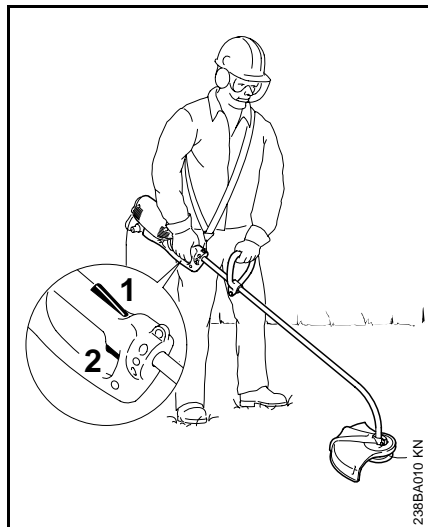
- Make a loop (3) in the extension cord and pass it through the opening (4).
- Slip the loop over the hook (5) and pull it tight.
- Connect the extension cord plug to a properly installed power outlet.

A Harness is available as special accessory.

Wear the harness over your left shoulder and adjust its length so that the spring hook lies against your right hip.

The open side of the hook should face away from your body. Attach the spring hook to the carrying loop.

Switching On



- Make sure you have a secure and balanced footing.
- Hold the unit with both hands – right hand on the control handle – left hand on the loop handle.
- Stand upright – hold the unit in a relaxed position and always on the right-hand side of your body.
- Make sure the cutting tool is not touching the ground or any other object.
- Press down the starting lockout lever (1) and hold it in that position.
- Squeeze the trigger switch (2).

Switching Off

- Release the trigger switch and the starting lockout lever.

⚠ Note that cutting tool continues to rotate for a brief period after you release the trigger switch and starting lockout lever – **flywheel effect!**

During long work breaks – disconnect the plug from the power supply.

When the power tool is not in use, store it in such a way that it does not endanger others.

Secure your power tool against unauthorized use.

Storing the Machine


For periods of about 3 months or longer:

- Thoroughly clean the machine, especially the cooling air inlets.
- Take out the spool with nylon lines and attach the ends of the lines in the spool's notches. Clean and inspect the spool.
- 💡 The resilience and service life of the nylon line can be increased by storing it in water.
- Store the machine in a dry, high or locked location – out of the reach of children and other unauthorized persons.

Replacing the Nylon Line

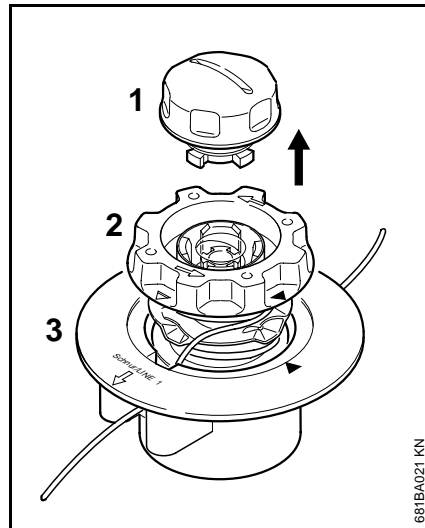
STIHL AutoCut C 5-2

Always inspect the mowing head for signs of wear before replacing the nylon line.


 If there are signs of serious wear, install a completely new mowing head.

Preparations

- Switch off the machine.
- Lay your trimmer on its back with the mowing head facing up.

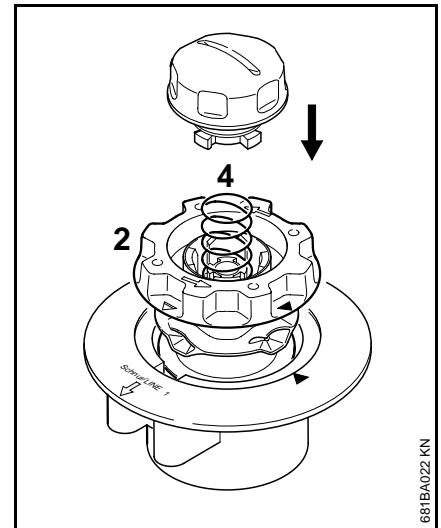


Removing Remaining Nylon Line

 In normal operation, the line in the mowing head is used up almost completely.

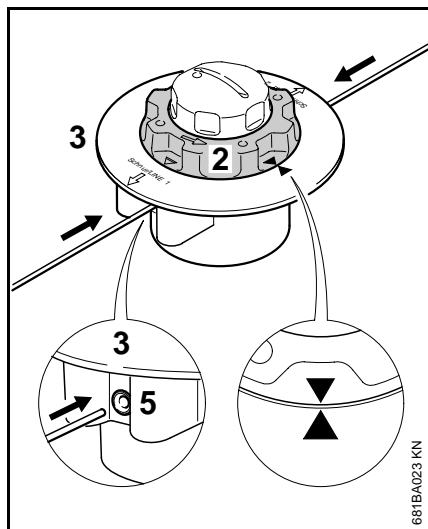
Disassembling the mowing head

- To remove the remaining line:
- Hold the mowing head steady and rotate the cap (1) counterclockwise until it can be removed.
 - Pull the spool (2) out of the mowing head (3) and remove the remaining line.



Assembling the mowing head

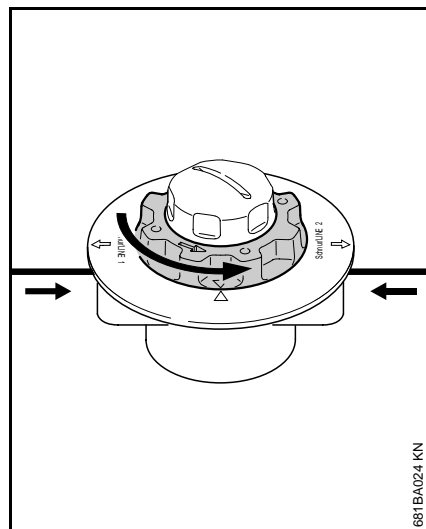
- Fit the **empty** spool in the mowing head.
If the spring (4) has popped out, push it into the spool (2) until it engages in position with an audible click.
- Mount the mowing head – see chapter on “Mounting the Mowing Head”.



Winding Line onto Spool

- Use green-coded nylon line with a diameter of 2 mm.
- Cut two 2 m lengths of nylon line from the reel**.
- Rotate the spool (2) counterclockwise until the two arrow points are in alignment.
- Push the **straight end of each line** through the sleeves (5) in the mowing head (3) until you feel noticeable resistance – and then continuing pushing as far as stop.

** see “Special Accessories”



- Hold the mowing head steady.
- Rotate the spool counterclockwise until the shortest line is about 10 cm long.
- If necessary, cut the longer line to a length of about 10 cm.

The mowing head is now full.

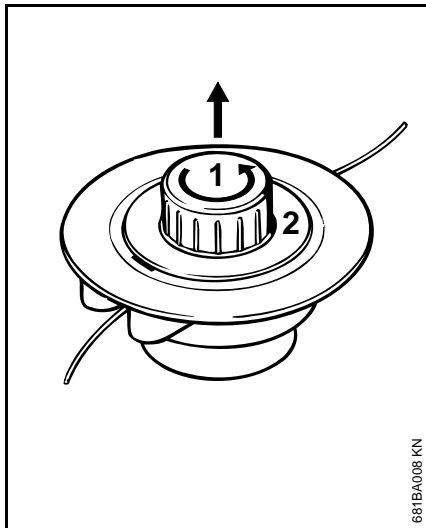
STIHL AutoCut 5-2

Always inspect the mowing head for wear before replacing the nylon line.

⚠ If there are signs of serious wear, replace the parts concerned or install a new mowing head.

Preparations

- Switch off the motor.
- Lay the trimmer on its back with the mowing head facing up.



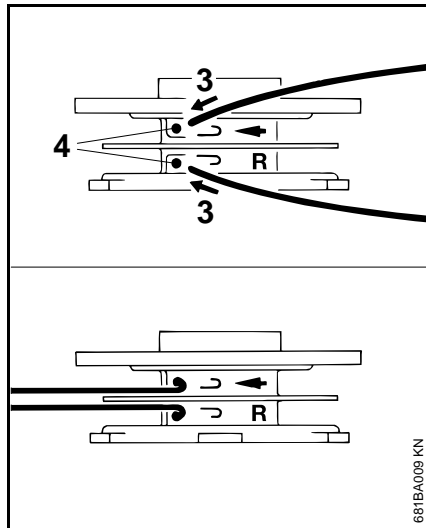
Removing Remaining Nylon Line

- Open the mowing head – hold it steady with one hand and unscrew the cap (1) counterclockwise.
- Disengage the spool (2), take it out of the mowing head and remove the remaining nylon line.

Winding Line Onto Spool

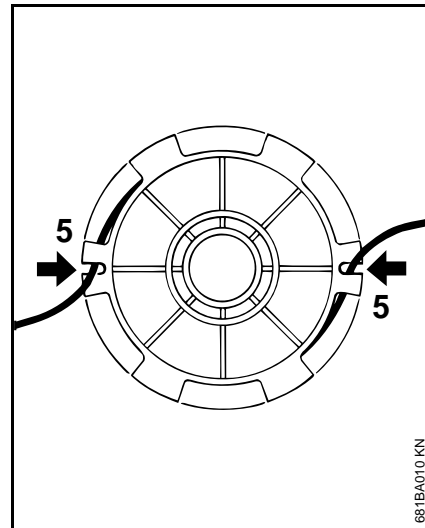
- 💡 A prewound spool** may be installed instead of fitting individual lines.

** see "Special Accessories"



- Use green-coded nylon line with a diameter of 2 mm.
- Cut two 3 m lengths of nylon line from the replacement reel**
Insert the end of each line (3) in the holes (4) in the spool.
- Bend the ends of the lines over the edge of the holes to form a hook.

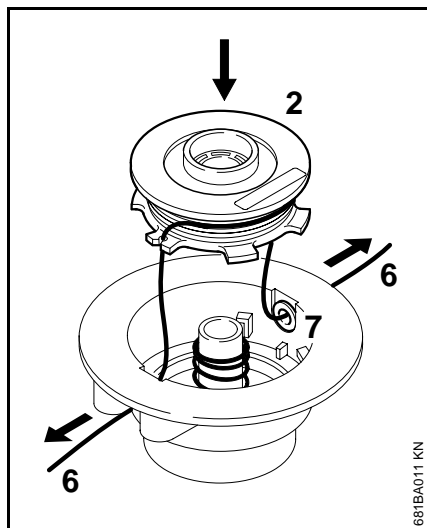
** see "Special Accessories"



- Straighten out the nylon lines and wind them tightly onto the spool – one nylon line in each chamber.
- Engage the ends of the nylon lines in the notches (5).

Assembling the Mowing Head

- ⚙️ Check that the compression spring is installed (see "Mounting the Mowing Head").



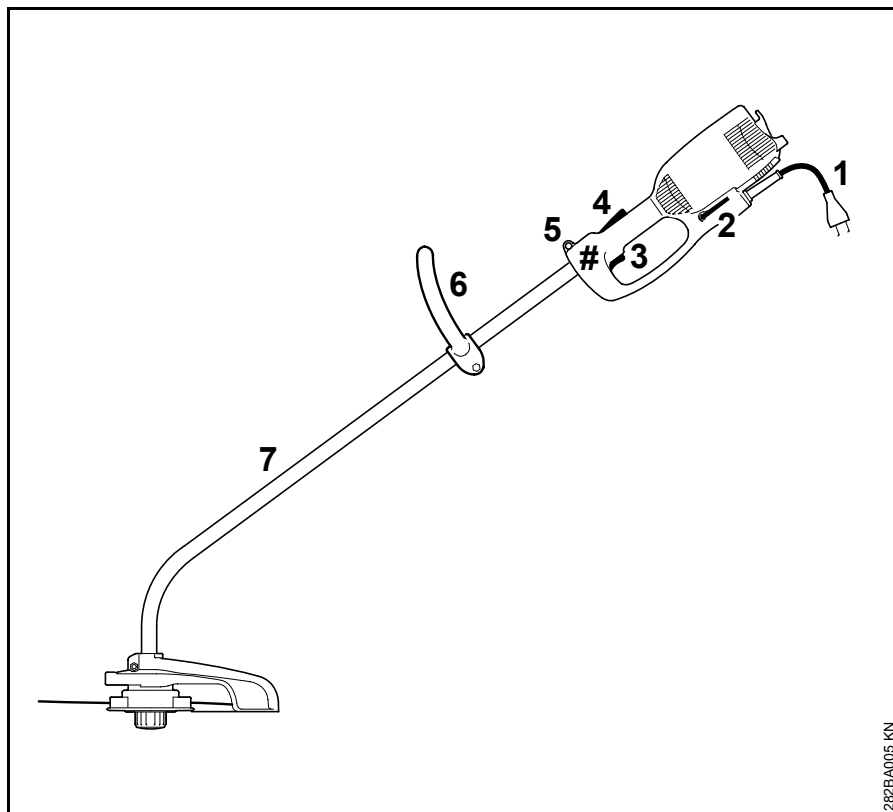
- Thread the ends of the lines (6) through the sleeves (7) and push the spool (2) into the head so that snaps into position.
- 💡 Nylon lines must disengage from the notches (5) as the spool is pushed into position.
- Pull out the ends of the lines as far as stop.
- Mount the mowing head on the machine.

Maintenance Chart

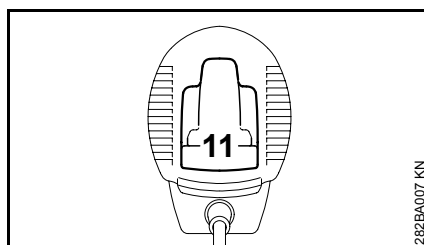
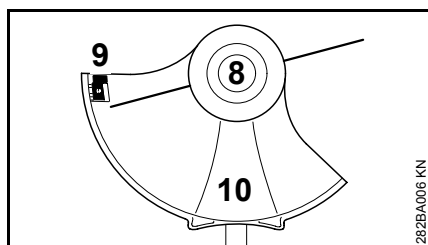
Please note that the following maintenance intervals apply for normal operating conditions. If your daily working time is longer than normal or cutting conditions are difficult (very dusty work area, etc.), shorten the specified intervals accordingly.		before starting work	after finishing work or daily	weekly	monthly	if problem	if damaged	as required
Complete machine	Visual inspection (condition)	X						
	Clean		X					
Power cord	Check	X						
	Have replaced by dealer ¹⁾						X	
Switch, starting lockout	Check operation	X						
	Have replaced by dealer ¹⁾					X	X	
Carbon brushes	Have replaced by dealer ¹⁾							X
Cooling inlets	Clean		X					
All accessible screws and nuts	Retighten							X
Cutting tools (mowing head)	Visual inspection	X						
	Replace						X	
	Check tightness	X						
Safety label	Replace						X	

¹⁾ STIHL recommends a STIHL servicing dealer

Main Parts and Controls






- 1 Power supply cord
- 2 Allen key
- 3 STrigger switch
- 4 Starting lockout lever
- 5 Carrying loop
- 6 Loop handle
- 7 Drive tube
- # Serial number



- 8 Mowing head
- 9 Line limiter blade
- 10 Deflector
- 11 Strain relief hook

Specifications

Motor

	FSE 60	FSE 71	FSE 81
Voltage:	230 V ¹⁾	230 V ¹⁾	230 V ¹⁾
Frequency:	50 Hz	50 Hz	50 Hz
Rated current:	2.1 A	2.1 A	3.9 A
Rating:	540 W	540 W	1000 W
Speed at mowing line diameter of 360 mm:	7400 rpm	7400 rpm	7400 rpm
Fuse:	10 A	10 A	10 A
Insulation:	II 	II 	II 

Dimensions

Length:	1530 mm	1530 mm	1530 mm
---------	---------	---------	---------

Weight

complete with mowing head and deflector	3.9 kg 4.5 kg ²⁾	4.0 kg 4.6 kg ²⁾	4.7 kg 5.3 kg ²⁾
---	--------------------------------	--------------------------------	--------------------------------

1) Version for Australia: 240 V

2) Version with 10 meter connecting cord for Great Britain

Special Accessories

Vibration Data

Tool: Mowing head

Vibration measurement

$a_{hv,eq}$ to ISO 8662 ¹⁾²⁾

Left handle	2.7 m/s ²
Right handle	2.5 m/s ²

- 1) Weighted level includes rated maximum speed
- 2) For further details on compliance with the employers' directive on vibrations 2002/44/EC see www.stihl.com/vib/

Cutting Tools

- 1 STIHL AutoCut C 5-2 mowing head
- 2 STIHL AutoCut 5-2 mowing head (not available in all markets)



Use the cutting tools only in accordance with the notes in chapter "Approved Combinations of Cutting Tool, Deflector, Handle and Harness".

Special accessories for cutting tools

Prewound spool, for 2

Nylon line for mowing heads, for 1 and 2

Other Special Accessories

Safety glasses

Shoulder strap

Contact your STIHL dealer for the latest information on these and other special accessories.


Maintenance and Repairs

Users of this machine may only carry out the maintenance and service work described in this user manual. All other repairs must be carried out by a servicing dealer.

STIHL recommends that all maintenance and repair work be carried out by an authorized STIHL dealer. STIHL dealers regularly attend training courses and are supplied with the necessary technical information.

When repairing the machine, only use replacement parts which have been approved by STIHL for this power tool or are technically equivalent. Only use high-quality replacement parts in order to avoid the risk of accidents or damage to the machine.

STIHL recommends the use of genuine STIHL replacement parts.

Original STIHL parts can be identified by the STIHL part number, the **STIHL** logo and the STIHL parts symbol . The symbol may appear alone on small parts.

Certificate of Conformity

ANDREAS STIHL AG & Co. KG
Badstr. 115
71336 Waiblingen

certify that the new machine described below

Category: Electric trimmer
Make: STIHL
Model: FSE 60, 71, 81
Series identification: 4809

conforms to the specifications of Directives 98/37/EC, 2006/95/EC, 89/336/EEC and 2000/14/EC.

The product has been developed and manufactured in compliance with the following standards:
EN ISO 12100, EN 786, EN 60335, EN 55014, EN 61000

The measured and guaranteed sound power level was determined according to Directive 2000/14/EC, Annex VI, using the ISO 11094.

Measured sound power level:
FSE 60: 93 dB(A)
FSE 71: 93 dB(A)
FSE 81: 94 dB(A)

Guaranteed sound power level:
96 dB(A)

Technical documents deposited at:
ANDREAS STIHL AG & Co. KG
Produktzulassung
(Product Licensing)

See CE label for machine's year of manufacture.

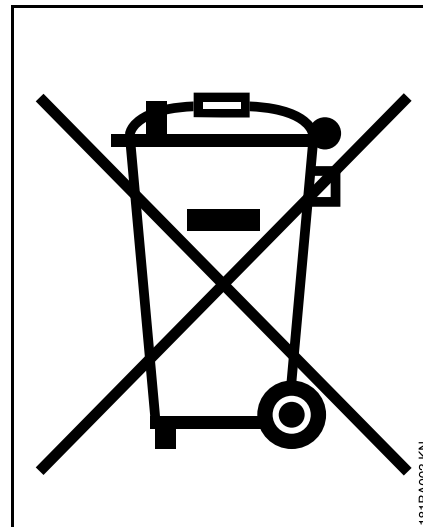
Done at Waiblingen,
July 2, 2007

ANDREAS STIHL AG & Co. KG



Elsner
Manager
Product Group Management

Disposal



Electrical appliances must not be thrown in the garbage can. Take the unit, accessories and packaging to an approved disposal site for environment-friendly recycling.

0458 282 0121 A
englisch / English



0458 282 0121 A