

STIHL RMI 522 C

STIHL



- EN** Instruction manual
- ES** Manual de instrucciones
- PT** Manual de utilização
- SL** Navodila za uporabo
- SK** Návod na obsluhu
- CS** Návod k použití

RMI 522.0 C

C

OST 1



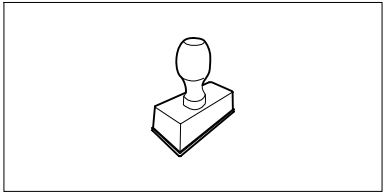


1



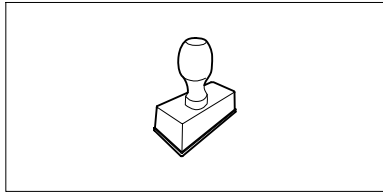
2

UU _____ 2.0



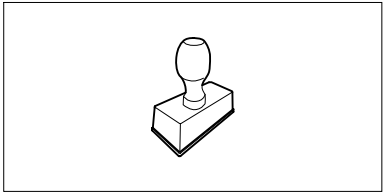
UU _____ 2.0

UU _____ 2.0



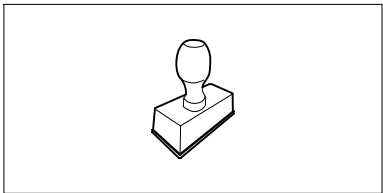
UU _____ 2.0

UU _____ 2.0



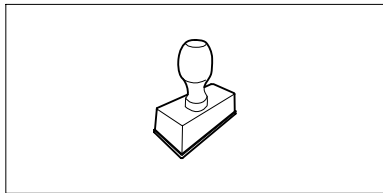
UU _____ 2.0

UU _____ 2.0



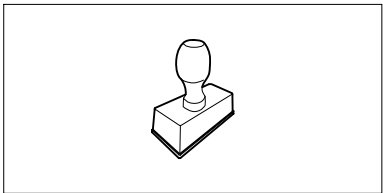
UU _____ 2.0

UU _____ 2.0



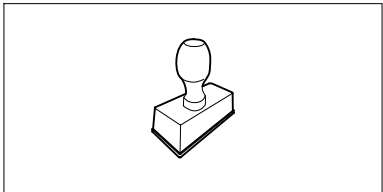
UU _____ 2.0

UU _____ 2.0



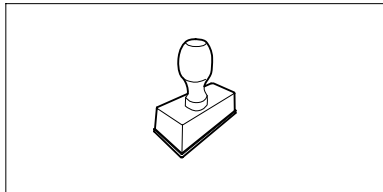
UU _____ 2.0

UU _____ 2.0



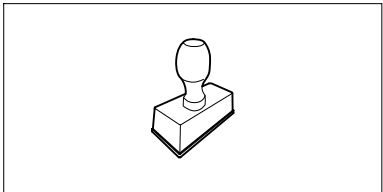
UU _____ 2.0

UU _____ 2.0



UU _____ 2.0

UU _____ 2.0



UU _____ 2.0

Dear Customer,

Thank you for choosing STIHL. We develop and manufacture our quality products to meet our customers' requirements. The products are designed for reliability even under extreme conditions.

STIHL also stands for premium service quality. Our specialist dealers guarantee competent advice and instruction as well as comprehensive service support.

We thank you for your confidence in us and hope you will enjoy working with your STIHL product.



Dr. Nikolas Stihl

**IMPORTANT: READ BEFORE USE AND
KEEP IN A SAFE PLACE.**

1. Table of contents

Notes on the instruction manual	4	Disposal	17
General	4	Description of symbols	17
Country-specific versions	4	Standard equipment	18
Instructions for reading the instruction manual	5	Initial installation	18
Machine overview	6	Notes on the docking station	22
Robotic mower	6	Docking station connections	24
Docking station	7	Connecting the power cable to the docking station	25
Display	8	Installation material	26
How the robotic mower works	9	Adjusting the cutting height	26
Operating principle	9	Notes on initial installation	26
Safety devices	10	Setting the language, date and time	27
STOP button	10	Installing the docking station	27
Disabling device	10	Routing the perimeter wire	28
Protective covers	10	Connecting the perimeter wire	31
Impact sensor	10	Linking the robotic mower and docking station	35
Lifting protection	11	Checking installation	36
Tilt sensor	11	Programming the robotic mower	38
Display illumination	11	Completing initial installation	39
PIN request	11	First mowing operation after initial installation	39
GPS protection	11	iMOW® app	39
For your safety	11	Menu	40
General	11	Operating instructions	40
Clothing and equipment	12	Status screen	41
Warning – dangers caused by electrical current	13	Information area	42
Battery	13	Main menu	43
Transporting the machine	14	Start	43
Before initial operation	14	Drive home	43
Programming	15	Mowing plan	43
During operation	15	More	45
Maintenance and repairs	16	Settings	45
Storage for prolonged periods without operation	17	iMOW® – machine settings	45
		Setting the rain sensor	46
		Configuring the status screen	46

Installation	46	Preparation	63	Messages	76
Setting starting points	47	Flap	63	Troubleshooting	83
Direct drive home	48	Adapting the programming	63	Service schedule	87
Safety	49	Automatic mowing	64	Handover confirmation	87
Service	50	Mowing independently of active times	64	Service confirmation	87
Information	50	Docking the robotic mower	65	Installation examples	88
Perimeter wire	51	Charging the battery	65	Open source software	92
Planning routing of the perimeter wire	52	Maintenance	66	2. Notes on the instruction manual	
Making a sketch of the mowing area	52	Maintenance schedule	66		
Routing the perimeter wire	53	Cleaning the machine	66	<hr/>	
Connecting the perimeter wire	53	Checking the mowing blade wear limits	67	2.1 General	
Wire clearances – use iMOW® Ruler	53	Removing and installing the mowing blade	67	This instruction manual constitutes original manufacturer's instructions in the sense of EC Directive 2006/42/EC.	
Acute corners	54	Sharpening the mowing blade	68	STIHL is continually striving to further develop its range of products; we therefore reserve the right to make alterations to the form, technical specifications and equipment level of our standard equipment.	
Confined areas	54	Removing and installing the carrier plate	68	For this reason, the information and illustrations in this manual are subject to alterations.	
Installing linking sections	55	Finding a wire break	69	This instruction manual may describe models that are not available in all countries.	
No-go areas	55	Storage and winter break	70	This instruction manual is protected by copyright. All rights reserved, especially the right of reproduction, translation and processing using electronic systems.	
Secondary areas	56	Removing the docking station	71	<hr/>	
Corridors	56	Standard spare parts	71	2.2 Country-specific versions	
Guide loops for offset drive home	58	Accessories	71	STIHL supplies machines with different plugs and switches, depending on the country of sale.	
Accurate mowing along edges	59	Minimising wear and preventing damage	72		
Sloping terrain along the perimeter wire	59	Environmental protection	72		
Installing reserve wire	60	Removing the battery	72		
Using wire connectors	60	Transport	74		
Narrow edge clearances	60	Lifting or carrying the machine	74		
Docking station	61	Securing the machine (lashing)	74		
Docking station controls	61	Declaration of conformity	74		
Notes on mowing	62	EU declaration of conformity – Cordless, electric robotic mower (RMI) with docking station (ADO)	74		
General	62	UKCA-Declaration of Conformity STIHL RMI 522.0 C Cordless, Electric Robotic Mower	75		
Mulching	62	Technical specifications	75		
Active times	62				
Mowing duration	62				
Home area	63				
Operating the machine	63				

Machines with European plugs are shown in the illustrations. Machines with other types of plug are connected to the mains in a similar way.

2.3 Instructions for reading the instruction manual

Illustrations and texts describe specific operating steps.

All symbols which are affixed to the machine are explained in this instruction manual.

Viewing direction:

Viewing direction when "left" and "right" are used in the instruction manual: the user is standing behind the machine and is looking forwards in the direction of travel.

Section reference:

References to relevant sections and subsections for further descriptions are made using arrows. The following example shows a reference to a section: (⇒ 3.)

Designation of text passages:

The instructions described can be identified as in the following examples.

Operating steps which require intervention on the part of the user:

- Release bolt (1) using a screwdriver, operate lever (2)...

General lists:

- Use of the product for sporting or competitive events

Texts with added significance:

Text passages with added significance are identified using the symbols described below in order to especially emphasise them in the instruction manual:



Danger

Risk of accident and severe injury to persons. A certain type of behaviour is necessary or must be avoided.



Warning

Risk of injury to persons. A certain type of behaviour prevents possible or probable injuries.



Caution

Minor injuries or material damage can be prevented by a certain type of behaviour.



Note

Information for better use of the machine and in order to avoid possible operating errors.

Texts relating to illustrations:

Some Illustrations which are necessary for use of the machine can be found at the front of this instruction manual.

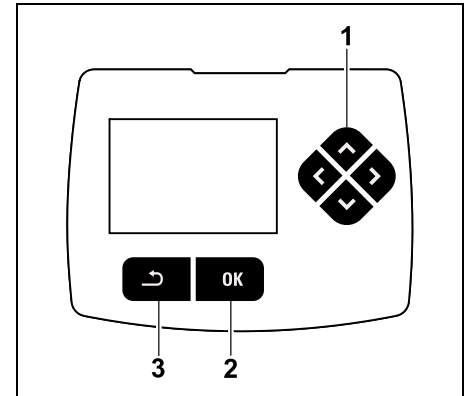
The camera symbol serves to link the figures on the illustration pages with the corresponding text passages in the instruction manual.



Illustrations with text passages:

Operating steps relating directly to the illustration can be found immediately after the illustration, with a corresponding reference to the item numbers.

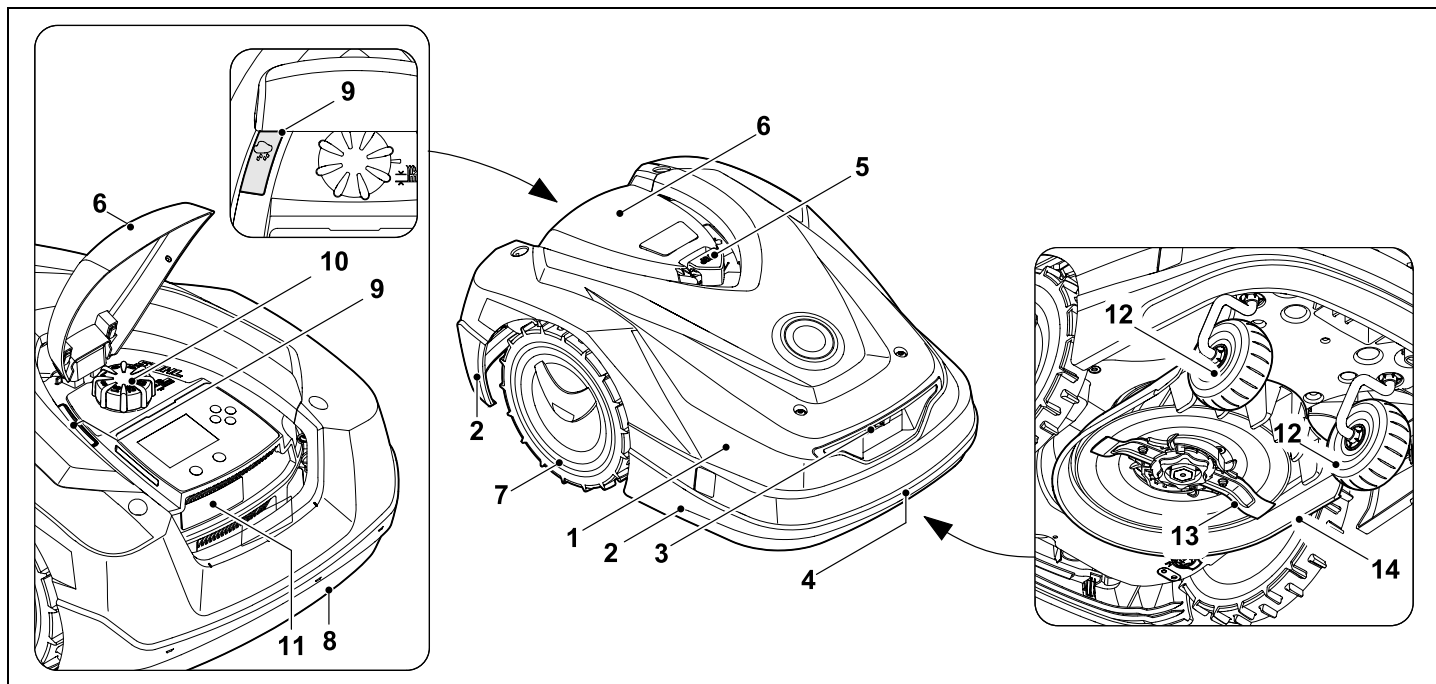
Example:



The control pad (1) serves for navigation in the menus. Settings are confirmed and menus opened using the OK button (2). Menus can be exited again using the Back button (3).

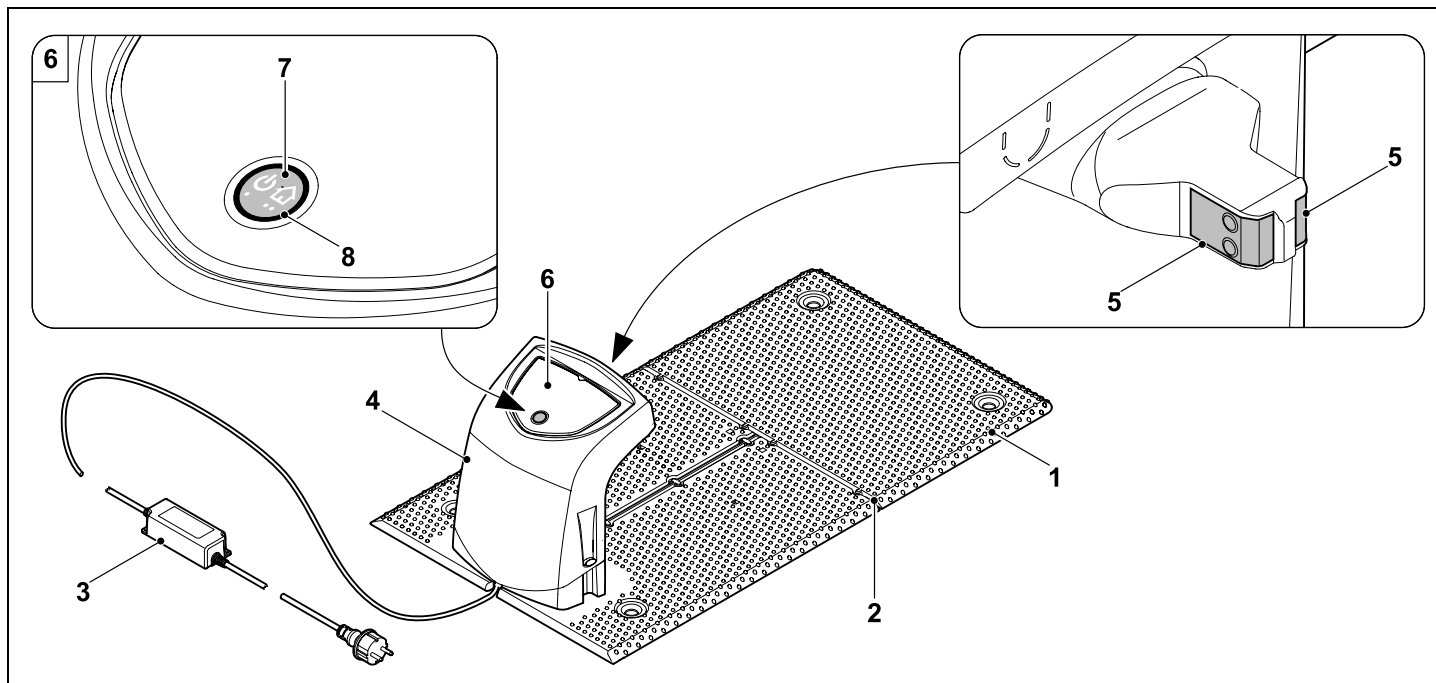
3. Machine overview

3.1 Robotic mower



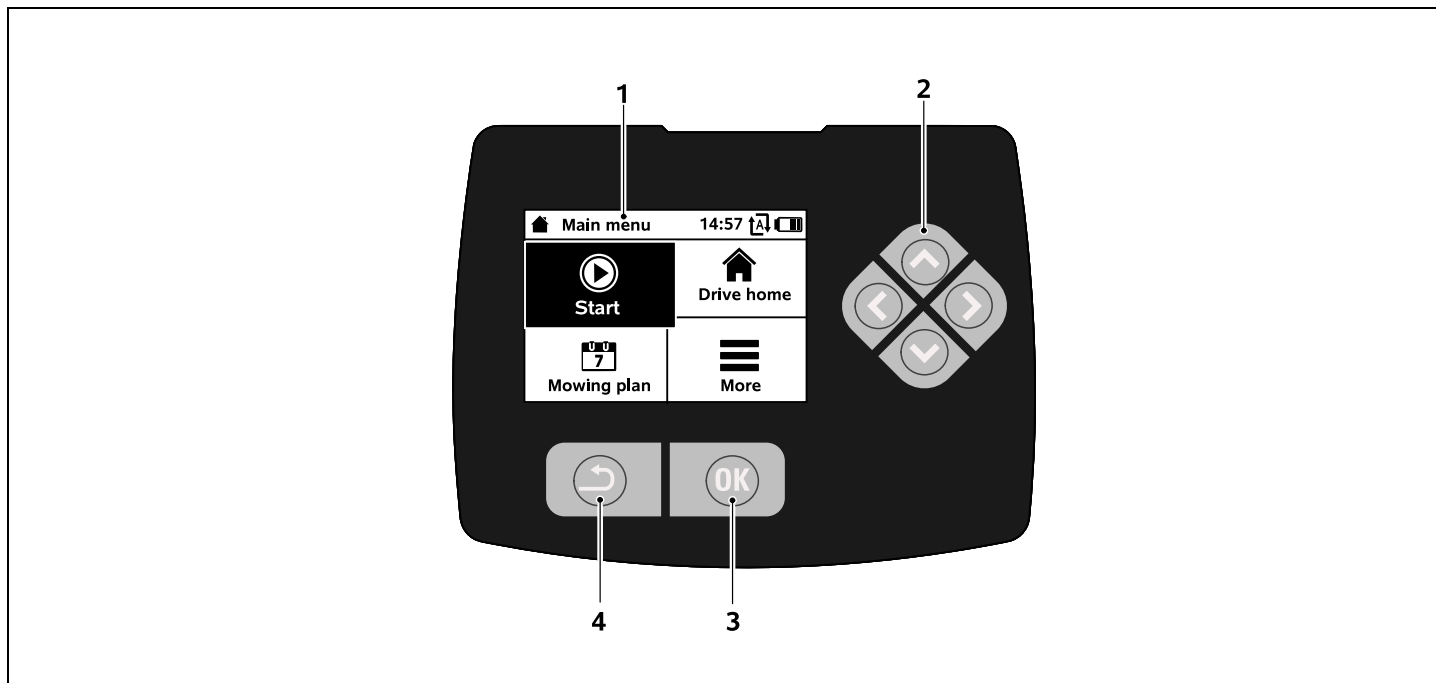
- | | | | |
|---|--|----|--|
| 1 | Movably mounted hood (⇒ 5.4), (⇒ 5.5) | 8 | Rear carrying handle (integrated in the movable hood) (⇒ 21.1) |
| 2 | Impact protector | 9 | Rain sensor (⇒ 11.10) |
| 3 | Charging contacts:
Connecting contacts to the docking station | 10 | Rotary handle for cutting height adjustment (⇒ 9.5) |
| 4 | Front carrying handle (integrated in the movable hood) (⇒ 21.1) | 11 | Identification plate with machine number |
| 5 | STOP button (⇒ 5.1) | 12 | Front wheel |
| 6 | Flap (⇒ 15.2) | 13 | Dual-ground mowing blade (⇒ 16.4) |
| 7 | Drive wheel | 14 | Mowing deck |

3.2 Docking station



- 1 Floor plate
- 2 Cable guides for retaining the perimeter wire (⇒ 9.10)
- 3 Power supply unit
- 4 Removable cover (⇒ 9.2)
- 5 Charging contacts:
Connecting contacts to the robotic mower
- 6 Control panel
with button and LED (⇒ 13.1)
- 7 Button
- 8 LED display

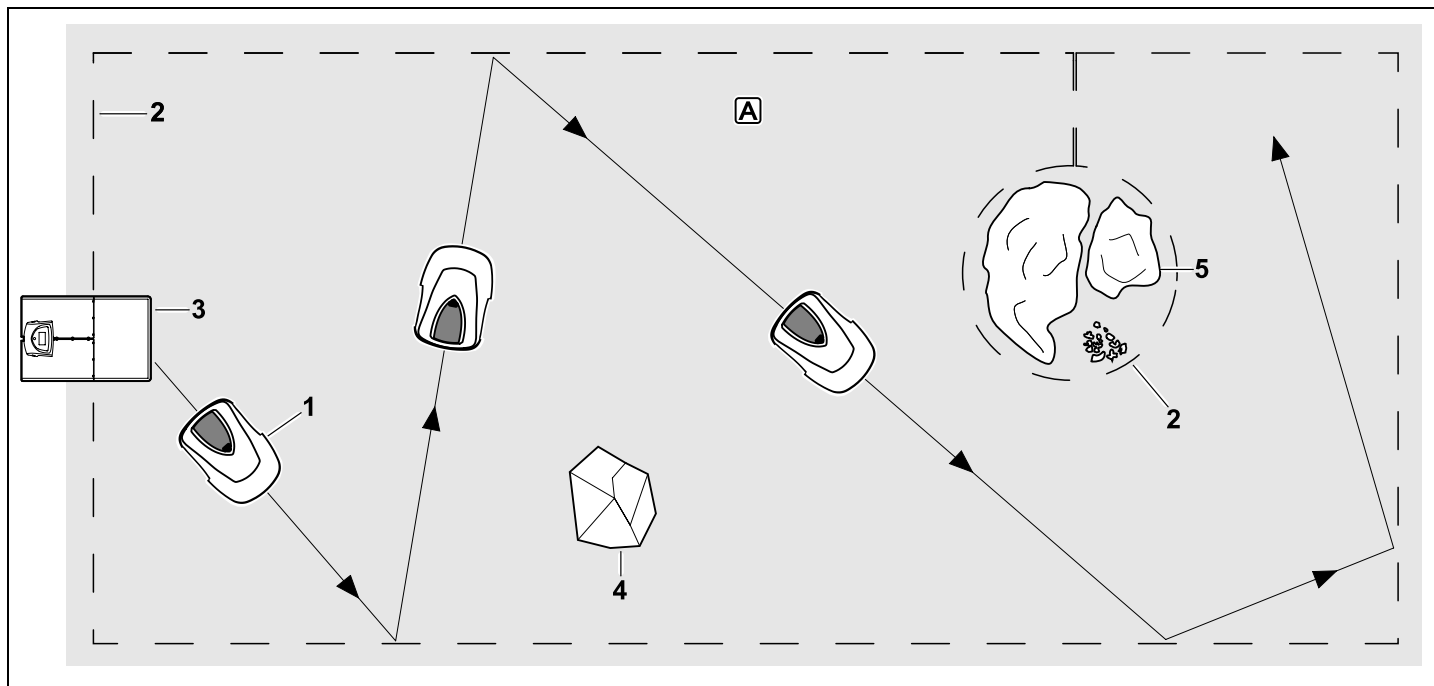
3.3 Display



- 1 Graphical display
- 2 Control pad:
Navigating in menus (⇒ 11.1)
- 3 OK button:
Navigating in menus (⇒ 11.1)
- 4 Back button:
Navigating in menus

4. How the robotic mower works

4.1 Operating principle



The robotic mower (1) is designed for the automatic mowing of lawns. It mows the lawn in randomly selected paths.

In order for the robotic mower to detect the borders of the mowing area **A**, a perimeter wire (2) must be routed around that area. A wire signal generated by the docking station (3) flows through this perimeter wire.

Solid obstacles (4) in the mowing area are reliably detected by the robotic mower by means of an impact sensor. Areas (5) that

the robotic mower is not to enter and obstacles that need to be avoided must be separated from the remaining mowing area using the perimeter wire.

When automatic mowing is switched on,

the robotic mower independently leaves the docking station and mows the lawn **during the active times** (⇒ 14.3). The robotic mower automatically travels to the docking station to recharge the battery. If the mow plan type "Standard" is selected, the robotic mower mows and

charges throughout the entire active time. If the mow plan type "Dynamic" is selected, the number and duration of mowing and charging operations within the active times are adapted fully automatically.

When automatic mowing is switched off and for mowing operations **independent of active times**, a mowing operation can be activated in the "Start" menu. (⇒ 11.5)



The STIHL robotic mower can be operated reliably and without interference in close vicinity to other robotic mowers. The wire signal meets the EGMF (European Garden

Machinery Federation) standard with regard to electromagnetic emissions.

5. Safety devices

The machine is equipped with several safety devices for safe operation and for the prevention of improper use.



Risk of injury!

If a safety device is found to be defective, the machine must not be operated. Consult a specialist dealer; STIHL recommends STIHL specialist dealers.

5.1 STOP button

When the red STOP button on the top of the robotic mower is pressed, operation of the machine is stopped immediately. The mowing blade comes to a standstill within a few seconds and the message "STOP button pressed" appears on the display. The robotic mower cannot be operated and is safe while the message is active. (⇒ 24.)

When **automatic mowing is switched on**, following confirmation of the message with OK, the system enquires whether automatic operation is to be continued.



If the response is **Yes**, the robotic mower continues to mow the mowing area in accordance with the mowing plan.

If the response is **No**, the robotic mower remains stationary in the mowing area and automatic mowing is switched off. (⇒ 15.4)



Pressing and holding the STOP button also activates the disabling device. (⇒ 5.2)

5.2 Disabling device

The robotic mower must be disabled prior to any maintenance or cleaning work, prior to transportation and prior to inspection.



The robotic mower cannot be operated when the disabling device is activated.

Activating the disabling device:

- Press and hold the **STOP button**
- in the **More** menu,
- in the **Safety** menu.

Activating the disabling device via the More menu:

- In the "More" menu, select the "Lock iMOW®" entry and confirm with the OK button. (⇒ 11.8)

Activating the disabling device via the Safety menu:

- In the "More" menu, open the "Settings" and "Safety" submenus. (⇒ 11.16)
- Select the "Disab. device" entry and confirm with the OK button.

Deactivating the disabling device:

- When required, wake up the machine by pressing any button.

- Unlock the robotic mower using the illustrated button combination. For this purpose, press the **OK button** and the **Back button** in the sequence shown on the display.



5.3 Protective covers

The robotic mower is equipped with protective covers that prevent inadvertent contact with the mowing blade and the clippings.

These include, in particular, the hood.

5.4 Impact sensor

The robotic mower is equipped with a movable hood which serves as an impact sensor. During automatic operation, it immediately comes to a standstill if it contacts a solid obstacle which has a specific minimum height (8 cm) and is firmly attached to the ground. It then turns to face another direction and continues mowing. If the impact sensor is triggered too frequently, the mowing blade is also stopped.



Impacts against obstacles occur with a certain force. Sensitive obstacles, e.g. light objects such as small flower pots, can therefore be knocked over or damaged.

STIHL recommends removing obstacles or blocking them off by means of no-go areas. (⇒ 12.9)

5.5 Lifting protection

If the robotic mower is lifted by the hood, mowing is stopped immediately. The mowing blade comes to a standstill within a few seconds.

5.6 Tilt sensor

If the permissible slope inclination is exceeded during operation, the robotic mower immediately changes its direction of travel. In the event of a rollover, the self-propulsion and mowing motor are switched off.

5.7 Display illumination

The display illumination is activated during operation. Thanks to this illumination, the robotic mower is easily recognisable, even in darkness.

5.8 PIN request

When the PIN request is activated, an alarm signal sounds when the robotic mower is lifted unless the PIN code is entered within one minute. (⇒ 11.16)

The robotic mower can only be operated in conjunction with the docking station supplied. A further docking station must be linked with the robotic mower. (⇒ 11.16)



STIHL recommends that one of the **safety levels** "Low", "Medium" or "High" be set. This ensures that unauthorised people cannot operate the robotic mower using other docking stations and are unable to change settings or the programming.

5.9 GPS protection

The robotic mower is equipped with a GPS receiver. When GPS protection is activated, the owner of the machine is notified if the machine is operated outside the home area. The PIN code is also requested on the display. (⇒ 14.5)



Recommendation:

Always activate GPS protection.
(⇒ 11.16)

6. For your safety

6.1 General



These safety regulations must be observed when working with the machine.



Read the entire instruction manual before using the machine for the first time. Keep the instruction manual in a safe place for future reference.

These safety precautions are essential for your safety, however the list is not exhaustive. Always use the machine in a reasonable and responsible manner and be aware that the user is responsible for accidents involving third parties or their property.

The term "use" covers all work on the robotic mower, the docking station and the perimeter wire.

A "user" is defined as:

- A person who reprograms the robotic mower or changes the existing programming.

- A person who performs work on the robotic mower.
- A person who activates or operates the machine.
- A person who installs or removes the perimeter wire or docking station.

The use of the **iMOW® app** also falls under the term "use" for the purpose of this instruction manual.

The machine must only be operated by persons who are well rested and in good physical and mental condition. If your health is impaired, you should consult your doctor to determine whether working with the machine is possible. The machine should not be operated after the consumption of alcohol, drugs or medications which impair reactions.

Make sure that you are familiar with the controls and use of the machine.

The machine must only be used by persons who have read the instruction manual and are familiar with operation of the machine. The user should seek expert and practical instruction prior to initial operation. The user must receive instruction on safe use of the machine from the vendor or another expert.

During this instruction, the user should be made aware that the utmost care and concentration are required for working with the machine.

Residual risks persist even if you operate this machine according to the instructions.



Risk of death from suffocation!

Packaging material is not a toy - danger of suffocation! Keep packaging material away from children.

Only give or lend the machine to persons who are familiar with this model and how to operate it. The instruction manual forms part of the machine and must always be provided to persons operating it.

Make sure that the user is physically, sensorily and mentally capable of operating the machine and working with it. If the user is physically, sensorily or mentally impaired, the machine must only be used under supervision or following instruction by a responsible person.

Make sure that the user is of legal age or being trained under supervision in a profession in accordance with national regulations.

Caution - risk of accident!



Children must be kept away from the machine and mowing area during mowing operation.



Dogs and other pets must be kept away from the machine and mowing area during mowing operation.

For safety reasons, any modification to the machine, except the proper installation of accessories or attachments approved by STIHL, is forbidden and results in voiding of the warranty cover. Information regarding approved accessories and attachments can be obtained from your STIHL specialist dealer.

In particular, any tampering with the machine which increases the power output or speed of the motors is forbidden.

It is not permissible to make any modifications to the machine that could lead to increased noise emissions.

For safety reasons, the machine software must never be modified or tampered with.

Particular care is required during use in public green spaces, parks, sports fields, along roads and in agricultural and forestry businesses.

It is not permitted to transport objects, animals or persons, particularly children, on the machine.

Never allow people, particularly children, to ride or sit on the robotic mower.

Caution – risk of accident!

The robotic mower is intended for automatic lawn care. Its use for other purposes is not permitted and may be dangerous or result in damage to the machine.

Due to the physical danger to the user, the machine must not be used for the following applications (incomplete list):

- for trimming bushes, hedges and shrubs,
- for cutting creepers,
- for the care of lawn roofs and balcony boxes,
- for shredding or chipping tree or hedge cuttings,
- for clearing paths (vacuuming, blowing),
- for levelling earth mounds, e.g. mole hills.

6.2 Clothing and equipment



Wear sturdy footwear with high-grip soles and never work barefoot or when wearing e.g.

sandals

- when approaching the robotic mower during operation.



Wear suitable work clothes during installation, maintenance operations and all other work on the machine and docking

station.

Never wear loose clothes which may become caught on moving parts – do not wear jewellery, ties or scarves.

In particular, wear long trousers

- when approaching the robotic mower during operation.



Always wear thick gloves during maintenance and cleaning operations, when laying and removing wires and when

securing the docking station.

In particular, protect the hands when working on the mowing blade and when driving in the fixing pins or the docking station pegs.

Long hair must always be tied up and secured (headscarf, cap, etc.) when working on the machine.



Suitable safety glasses must be worn when driving in the fixing pins and the docking station pegs.

6.3 Warning – dangers caused by electrical current

Warning: **Risk of electric shock!**

Particularly important for electrical safety are an intact power cable and mains plug on the power supply unit. Damaged cables, connectors and plugs, or electric cables that do not conform to regulations must not be used, to prevent any risk of electric shocks.



Therefore, check the electric cable regularly for signs of damage or ageing (brittleness).

Only use an original power supply unit.

The power supply unit must not be used:

- if it is damaged or worn,
- if the cables are damaged or worn.
Check the power cable in particular for damage and ageing.

Maintenance and repair work on power cables and power supply units must only be performed by specially qualified technicians.

Danger of electric shock!

Do not connect a damaged cable to the mains and only touch a damaged cable once it has been disconnected from the mains.

The electric cable on the power supply unit must not be modified (e.g. shortened). The cable between the power supply unit and docking station must not be extended.

The power supply unit plug must only be connected to the docking station electronics in dry and clean condition.

The power supply unit and cable must not be left on wet ground for prolonged periods.

Danger of electric shock!

Damaged cables, connectors and plugs, or electric cables which do not conform with regulations may not be used.

Always ensure that the power cables used are adequately protected by a fuse.

Detach electric cables at the plug and socket and not by pulling on the electric cable.

Only connect the machine to a power supply that is protected by means of a residual current-operated protective device with a release current of a maximum of 30 mA. Your electrician can provide further information.

If the power supply unit is connected to the mains supply outside a building, the socket must be approved for outdoor use. Your electrician can provide further information about country-specific legislation.

It must be noted that current fluctuations can damage the machine when it is connected to a power generator.

6.4 Battery

Only use original batteries.


The battery is intended exclusively for fixed installation in a STIHL robotic mower. There, it is optimally protected and is charged when the robotic mower is in the docking station. No other charger must be used. The use of an unsuitable charger can result in danger due to electric shock, overheating or escaping corrosive battery fluid.

Never open the battery.

Do not drop the battery.

Never use a defective or deformed battery.

Store the battery out of reach of children.

 **Explosive hazard!**
Protect the battery against direct sunlight, heat and fire – never throw it into a fire.



Only use or store the battery at temperatures from -10°C to max. +50°C.



Protect the battery against rain and moisture – do not immerse in liquids.



Do not subject the battery to microwaves or high pressure.

Never connect the battery terminals with metallic objects (short-circuit). The battery can be damaged through short circuits.

Keep the unused battery away from metallic objects (e.g. nails, coins, jewellery). Do not use metallic transport containers – **explosive and fire hazard!**

Fluid may escape from the battery due to improper use – avoid contact! In the case of inadvertent contact, rinse with water. Seek medical attention if the fluid comes into contact with the eyes. Escaping battery fluid can cause skin irritation and burns.

Do not insert any objects in the ventilation slots of the battery.

For further safety instructions, see <http://www.stihl.com/safety-data-sheets>

6.5 Transporting the machine

Before transporting, and especially before lifting the robotic mower, activate the disabling device. (⇒ 5.2)

Allow the machine to cool down before transporting.

Avoid contact with the mowing blade when lifting and carrying the machine. The robotic mower must only be lifted at both carrying handles. Never reach under the machine.

Take the weight of the machine into account and use suitable loading aids (lifters) if required.

Secure the machine and other machine parts being transported (e.g. docking station) on the load floor using fastening materials (straps, ropes, etc.) of an adequate size at the fastening points described in this instruction manual. (⇒ 21.)

When transporting the machine, always observe regional legislation, especially regarding load security and the transport of objects on load floors.

Do not leave the battery inside a vehicle and never expose it to direct sunlight.

Lithium-ion batteries must be treated with special care during transport. In particular, short-circuit protection must be ensured. Only transport the battery in the robotic mower.

6.6 Before initial operation

It must be ensured that all persons who use the machine are familiar with the instruction manual.

Carefully follow the instructions for installing the docking station (⇒ 9.1) and perimeter wire (⇒ 12.).

The perimeter wire and the power cable must be securely fastened to the ground so that they do not present a tripping hazard. Avoid routing the perimeter wire and power cable over edges (e.g. edges of pathways or paving stones). When routing the perimeter wire and power cable on ground into which the supplied fixing pins cannot be driven (e.g. paving stones, pathways), a cable duct must be used.

Correct routing of the perimeter wire and power cable must be regularly checked.

To prevent the risk of stumbling, always drive in the fixing pins all the way.

Do not install the docking station in a place where it is difficult to see and could become a tripping hazard (e.g. around the corner of a house).

If possible, install the docking station out of the reach of pests such as ants or slugs – in particular avoid the area around anthills and composting units.

Areas in which the robotic mower cannot operate safely (e.g. due to danger of falling) must be blocked off through appropriate routing of the perimeter wire. STIHL recommends that the robotic mower is only operated on lawns and surfaced paths (e.g. paved drives).

The robotic mower does not detect any sudden drops such as edges, steps, swimming pools or ponds. If the perimeter wire is routed along potential sudden drops, a clearance of at least **1 m** must be maintained between the perimeter wire and the danger area for safety reasons.

Regularly inspect the area on which the machine is to be used and remove any sticks, stones, wires, bones and all other foreign objects that could be thrown up by the machine.

After installing the perimeter wire, particularly remove all tools from the mowing area. Broken or damaged fixing pins must be removed from the lawn and disposed of.

Regularly check the area to be mown for uneven areas and level them out.

Never use the machine with damaged safety devices or with safety devices removed.

The switch and safety devices installed in the machine must not be removed or bypassed.

All faulty, worn or damaged parts must be replaced before using the machine. Replace any illegible or damaged danger signs and warnings on the machine. Your STIHL specialist has a supply of replacement stickers and all the other spare parts.



Risk of injury!

Worn or damaged parts (e.g. blunt blades) can affect the safety of the machine and result in injury to the user.

Before initial operation, it must be ensured

- that the machine is in good operational condition. This means that the covers, guards and the flap must be in place and in good condition.
- that the docking station is in a safe operating condition. Here, all covers must be properly installed and be in good condition.

- that the power supply unit has been connected to a properly installed socket.
- that the insulation of the electric cable and the mains plug on the power supply unit is in good condition.
- that the entire machine (housing, hood, flap, fastening elements, mowing blade, blade shaft, etc.) is neither worn nor damaged.
- that the mowing blade and the blade fastening are in proper condition (secure seating, damage, wear). (⇒ 16.3)
- that all screws, bolts, nuts and other fastening elements are in place and properly tightened. Tighten any loose screws, bolts and nuts prior to initial operation (observe tightening torques).

Carry out any necessary work or consult a specialist dealer. STIHL recommends STIHL specialist dealers.

6.7 Programming

Observe local regulations regarding permitted operating times for gardening power tools with motors and programme the active times accordingly. (⇒ 14.3)

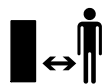
In particular, programming must also be adapted so that no children, spectators or animals are in the area to be mown during operation.

Changing the programming using the **iMOW® app** can result in activities that will not be expected by other people. Changes to the mowing plan must therefore be communicated in advance to all affected people.

The robotic mower must not operate at the same time as a sprinkler system. Adapt the programming accordingly.

Ensure that the correct date and the correct time are set on the robotic mower. Correct the settings if necessary. Incorrect values may cause the robotic mower to start up unintentionally.

6.8 During operation



Keep others, particularly children and animals, out of the danger area.

Never allow children to approach or play with the robotic mower.

Starting a mowing operation using the **iMOW® app** may not be expected by third parties. Affected people must therefore be notified in advance about possible activity of the robotic mower.

Never allow the robotic mower to operate if you know that animals or people, particularly children, are in the vicinity.

When operating the robotic mower in public places, signs with the following notice must be affixed around the mowing area:

"Warning! Automatic lawn mower! Keep away from the machine! Children must be supervised!"



Caution – risk of injury!

Never put hands or feet on or underneath rotating parts. Never touch the rotating blade.

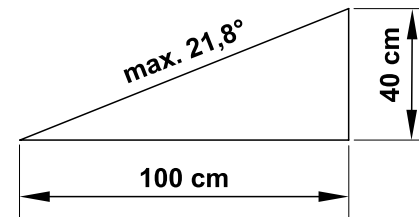
Before thunderstorms, or if there is a danger of lightning strikes, disconnect the power supply unit from the mains. The robotic mower must not be operated.

The robotic mower must never be tilted or lifted when the motor is running.

Never attempt to change settings on the machine when one of the motors is running.

For safety reasons, the machine must not be used on slopes with an incline of more than 21,8° (40 %).

Risk of injury! A slope inclination of 21,8° corresponds to a vertical height increase of 40 cm for a 100 cm horizontal distance.



STOP

Beware of the cutting tool running on for several seconds before coming to a standstill.

Press the **STOP button** (⇒ 5.1) during running operation

- before opening the flap.

Activate the **disabling device** (⇒ 5.2)

- before lifting or carrying the machine,
- before transporting the machine,
- before removing blockages,
- before carrying out any work on the mowing blade,
- before checking or cleaning the machine,

- after hitting a foreign object or if the robotic mower begins to vibrate excessively. In these cases, check the machine, in particular the cutting unit (blade, blade shaft, blade fastening) for damage and carry out the necessary repairs before restarting and working with the machine.



Risk of injury!

Strong vibration is normally an indication of a fault. In particular, the robotic mower must not be operated with a damaged or bent blade shaft or mowing blade. If you do not have the appropriate expertise, have the necessary repairs carried out by a specialist dealer (STIHL recommends STIHL specialist dealers).

Before leaving the machine unattended, the safety settings of the robotic mower must be adapted so that it cannot be operated by unauthorised persons. (⇒ 5.)

Do not lean forward and always ensure that you maintain your balance and a firm footing on inclines when operating the machine and its peripherals. Always walk, do not run.

Never operate the machine in the vicinity of naked flames.

6.9 Maintenance and repairs

Before starting cleaning, repair or maintenance operations, activate the disabling device and park the robotic mower on firm and level ground.



Disconnect the mains plug of the power supply unit before performing any work on the docking station and the perimeter wire.



Allow the robotic mower to cool down for approx. 5 minutes before performing any maintenance operations.

The power cable must only be repaired or replaced by authorised electricians.

Following any work on the machine, check and, if necessary, correct the programming of the robotic mower before putting it back into operation. In particular, the date and time must be set.

Cleaning:

The complete machine must be cleaned carefully at regular intervals. (⇒ 16.2)

Never spray water (particularly high-pressure cleaners) onto motor components, seals, electric components or bearing points. This may result in damage and expensive repairs. Do not clean the machine under running water (e.g. using a garden hose). Do not use aggressive cleaning agents. These can damage plastics and metals, impairing the safe operation of your STIHL machine.

Maintenance operations:

Only maintenance operations described in this instruction manual may be carried out. Have all other work performed by a specialist dealer.

If you do not have the necessary expertise or auxiliary equipment, please **always** contact a specialist dealer. STIHL recommends that you have maintenance operations and repairs performed exclusively by a STIHL specialist dealer.

STIHL specialist dealers regularly attend training courses and are provided with technical information.

Only use tools, accessories or attachments approved for this machine by STIHL or technically identical parts. Otherwise, there may be a risk of accidents resulting in personal injury or damage to the machine. If you have any questions, please consult a specialist dealer.

The characteristics of original STIHL tools, accessories and spare parts are optimally adapted to the machine and the user's requirements. Genuine STIHL spare parts can be recognised by the STIHL spare parts number, by the STIHL lettering and, if present, by the STIHL spare parts symbol. On smaller parts, only the symbol may be present.

Always keep warning and information stickers clean and readable. Damaged or missing stickers must be replaced by new, original plates from your STIHL specialist dealer. If a component is replaced with a new component, ensure that the new component is provided with the same stickers.

Only perform work on the cutting unit when wearing protective gloves and exercising extreme care.

Ensure that all screws and nuts, especially all screws and fastening elements of the cutting unit, are securely tightened, so that the machine is in a safe operating condition.

Check the entire machine for wear or damage on a regular basis, particularly before extended periods when the machine is not in use (e.g. over winter). For safety reasons, worn or damaged

parts must be replaced immediately to ensure that the machine is always in a safe operating condition.

Components or guards that are removed for maintenance operations must be properly reinstalled immediately.

6.10 Storage for prolonged periods without operation

Before putting into storage

- Charge the battery (⇒ 15.7)
- Set the highest safety level (⇒ 11.16)
- Place the robotic mower in hibernation (⇒ 11.17)

Ensure that the machine is protected from unauthorised use (e.g. by children).

Store the machine in good operational condition.

Thoroughly clean the machine before storage (e.g. winter break).

Allow the machine to cool for approx. 5 minutes before storing it in an enclosed space.

The storage room must be dry, frost-free and lockable.

Never store the machine close to naked flames or powerful heat sources (e.g. oven).

6.11 Disposal

Waste products can be harmful to people, animals and the environment. They must consequently be disposed of properly.

Consult your recycling centre or your specialist dealer for information on the proper disposal of waste products. STIHL recommends STIHL specialist dealers.

Ensure that old machines are properly disposed of. Render the machine unusable prior to disposal. In particular, remove the power cable of the power supply unit, as well as the battery of the robotic mower in order to prevent accidents.

Risk of injury due to the mowing blade!

Always store an old lawn mower in a safe place prior to scrapping. Ensure that the machine and particularly the mowing blade are kept out of the reach of children.

The battery must be disposed of separately from the machine. Ensure that batteries are disposed of safely and in an environmentally friendly manner.

7. Description of symbols



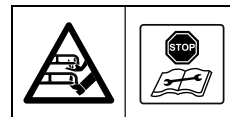
Warning!

Read the instruction manual before initial use.



Warning!

Keep a safe distance from the machine during operation. Keep other persons out of the danger area.



Warning!

Never touch the rotating blade.

Warning!

Disable the machine before lifting it and before working on it.



Warning!

Do not climb onto or sit on the machine.



Warning!

Never touch the rotating blade.



Warning!

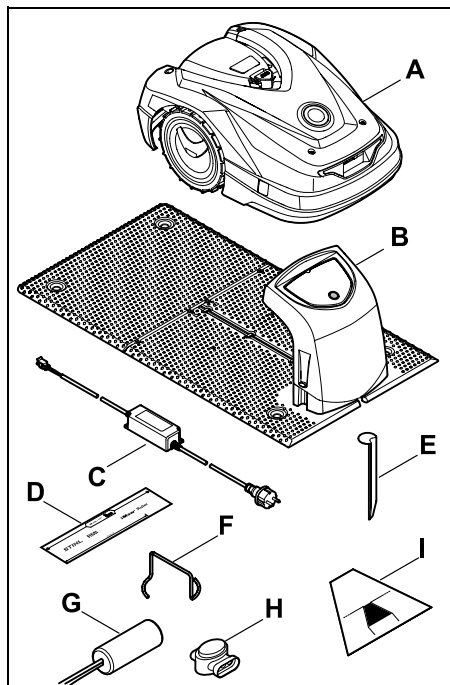
Keep children away from the machine and mowing area during mowing operation.



Warning!

Keep dogs and other pets away from the machine and mowing area during mowing operation.

8. Standard equipment



Item	Designation	Qty.
A	Robotic mower	1
B	Docking station	1
C	Power supply unit	1
D	iMOW® Ruler*	2
E	Peg for docking station	4
F	Puller for carrier plate	1
G	AKM 100	1
H	Wire connector	2
I	Corridor template*	1
–	Instruction manual	1

* must be separated from the cardboard insert in the packaging.

9. Initial installation

For a quick, easy and robust installation, read and comply with the specifications and instructions, especially the wire clearance of 28 cm during routing. (⇒ 12.)

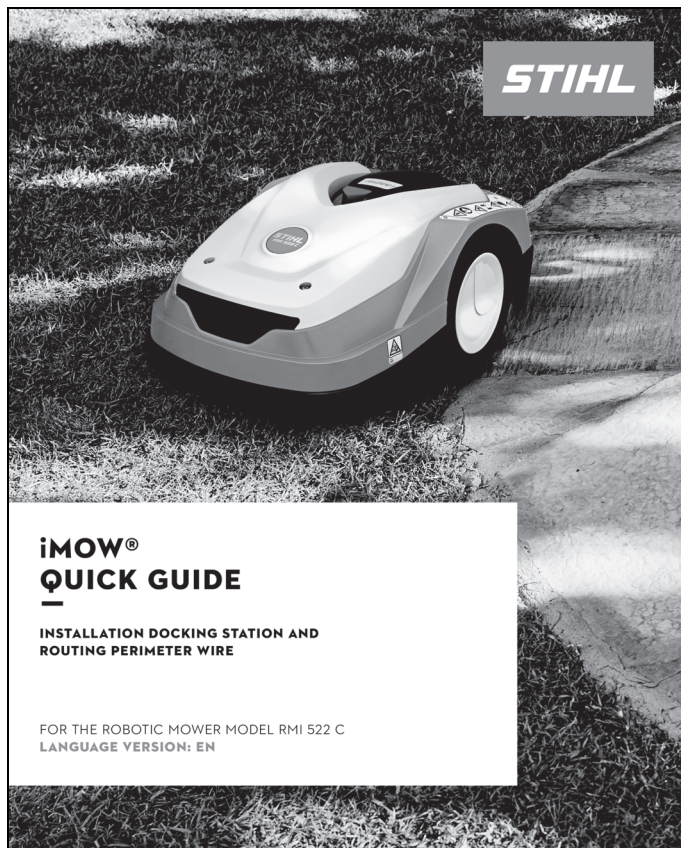
It is possible to increase the mown area by routing the perimeter wire closer to the edge. (⇒ 12.17) For reliable operation, the wire clearance must be adapted to the on-site conditions during routing.

iMOW® quick guide

A separate quick guide on installing the docking station and routing the perimeter wire is enclosed with the robotic mower to assist you. More detailed information can be found in the respective chapters of this instruction manual. Always use the quick guide in combination with the instruction manual for the robotic mower.

iMOW® quick guide

Reduced view of page 1:



EN

ES

PT

SL

SK

CS

BASIC INSTALLATION

POSITIONING OF INTERNAL DOCKING STATION AND INSTALLATION OF PERIMETER WIRE

THIS QUICK GUIDE SHOULD ONLY BE USED IN COMBINATION WITH THE INSTRUCTION MANUAL FOR YOUR MOWING ROBOT.

1. Before installation draw a sketch of the garden.
2. Install the docking station in a suitable location and charge the iMOW® in it.
3. Wake up the iMOW® by pressing the "OK" button and follow the instructions as far as "Install wire".
4. Install the perimeter wire. Use the iMOW® Ruler and the corridor template to establish the clearances.
5. Continue the installation with "Connect wire" and follow the instructions to the end.

The STIHL iMOW® robotic mowers comply with all applicable safety standards.
Nevertheless, the iMOW® robotic mower is not a toy. During the iMOW® robotic mower's active times, in particular children, bystanders and animals must be kept out of the working area.

Preparatory installation measures:

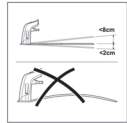
- Cut mowing area to ± 6 cm using a conventional lawn mower.
- Mowing areas must not overlap. Minimum clearance ≥ 1 m between the perimeter wires.
- Maximum distance between iMOW® robotic mower and perimeter wire: 17 m.
- Set iMOW® cutting height. Recommendation: Cutting level 4.
- The removal of interference sources such as metals is recommended.

☞ 9/1/95/99

Accessory AKM 100 for small gardens:

- For perimeter wire lengths ≥ 80 m.

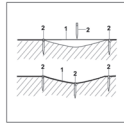
☞ 9/9



Docking station position:

- Shady, protected, level
- Clearance to no-go area: ≥ 2 m
- Socket with overvoltage protection is recommended.

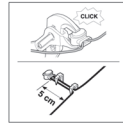
☞ 9/1/12/9



Installing the perimeter wire:

Install the perimeter wire (1) above ground at regular intervals and fasten using fixing pins (2). Use additional fixing pins on uneven ground. Install wire without crossover.

☞ 12/3



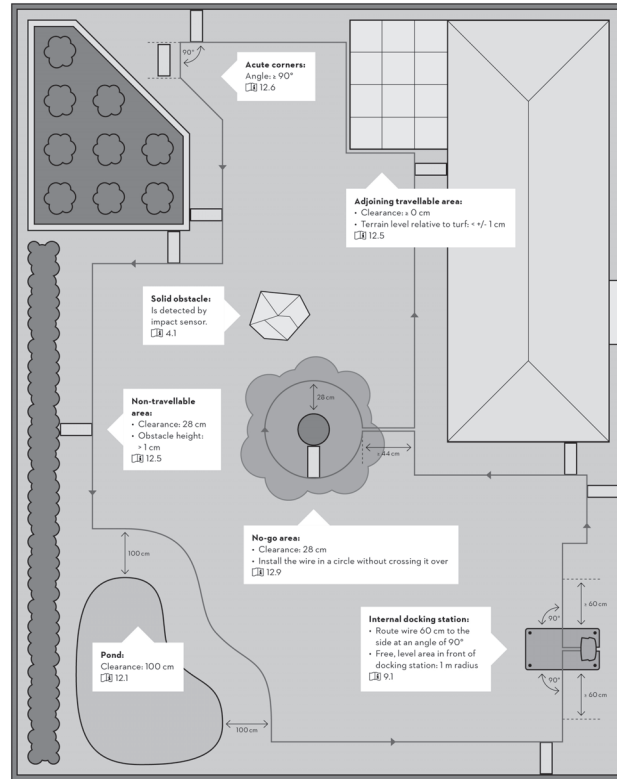
Correct installation of wire connectors:

Insert loose, unstripped wire ends to the stop in the wire connector. Press the wire connector together using suitable pliers - ensure correct engagement.

☞ 12/16

Support: <https://support.stihl.com/>

☞ Instruction manual | → Perimeter wire | iMOW® Ruler | ☞ Corridor template



ADVANCED INSTALLATION

POSITIONING OF EXTERNAL DOCKING STATION AND INSTALLATION OF PERIMETER WIRE IN SPECIAL CASES



Sloping terrain in the mowing area:

In order for the mowing robot to automatically mow a slope in the mowing area without any trouble, the perimeter wire must be installed in the slope (1) with a minimum clearance to the edge of the incline. Clearance: 0.5 m
 [12.14

Starting points:

Mowing areas reached via a corridor or external docking station must have one starting point.
 [9.8/11.13/11.14/12.11

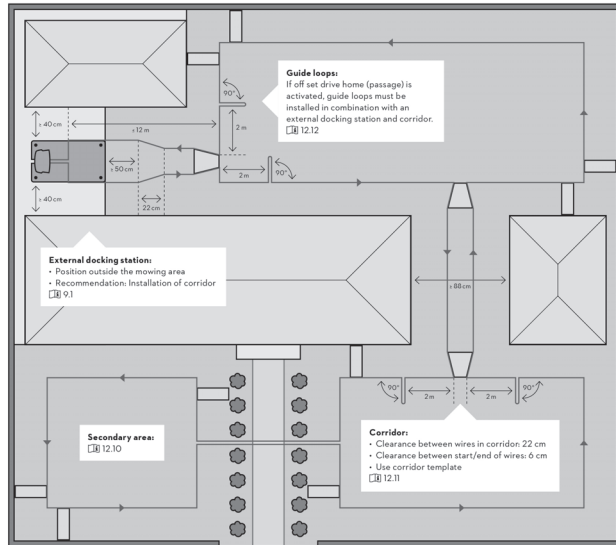


Illustration not to scale

Support: <https://support.stihl.com/>

0477-810-8071 EN-2

9.1 Notes on the docking station

Requirements for the docking station location:

– Protected, shady.

Direct sunlight can lead to increased temperatures in the machine and longer battery charging times.

A canopy top available as an accessory can be mounted on the docking station. This provides better protection for the robotic mower against the weather.

– Easily visible.

The docking station should be easily visible in its chosen location to prevent the risk of tripping over it.

– In the immediate vicinity of a suitable socket.

The mains connection must be close enough to the docking station that the respective power cables can be connected to both the docking station and the mains connection – do not change the power cable of the power supply unit.

A socket with overvoltage protection is recommended.

– Free from sources of interference.

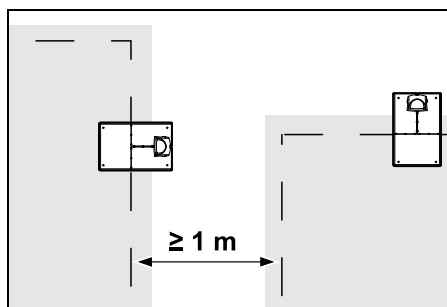
Metal, iron oxides and magnetic or electrically conductive materials as well as old perimeter wire installations can interfere with the mower's operation. It is recommended to remove these sources of interference.

– Level and flat.

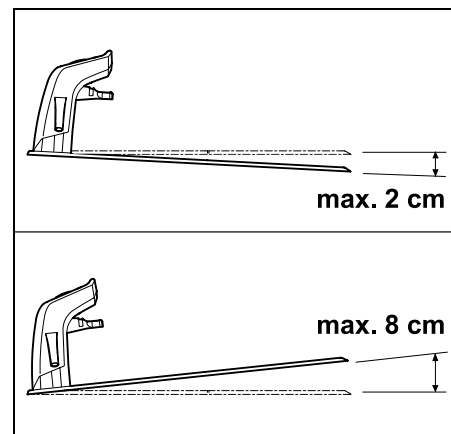
Uneven ground has a significant influence on the robotic mower's docking. It must be ensured that the ground underneath the docking station floor plate is level and flat. Level or flatten the ground if necessary.

Preparatory measures:

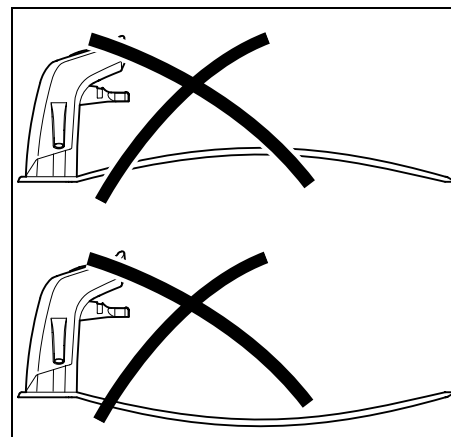
- Mow the lawn using a conventional lawn mower prior to initial installation (ideal grass height max. 6 cm).
- In the case of a hard and dry surface, water the mowing area lightly in order to make it easier to drive in the fixing pins.



Mowing areas must not overlap. Maintain a minimum clearance of ≥ 1 m between the perimeter wires of two mowing areas.



The docking station must not be inclined by more than 8 cm rearwards or 2 cm forwards.

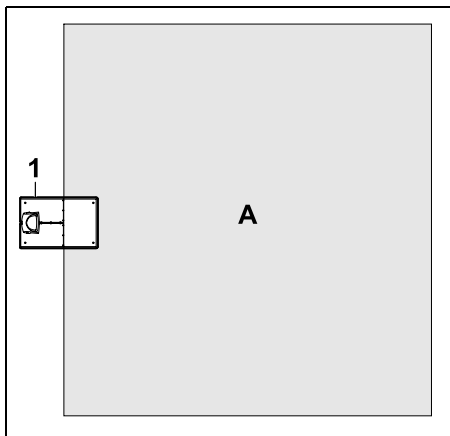


Never bend the floor plate. Any unevenness must be removed under the floor plate so that it fully contacts the ground.

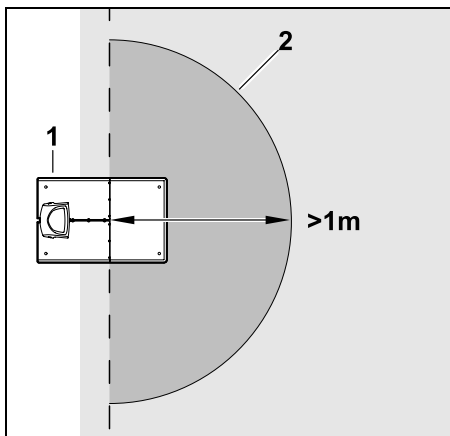
Installation options:

The docking station can be installed internally and externally.

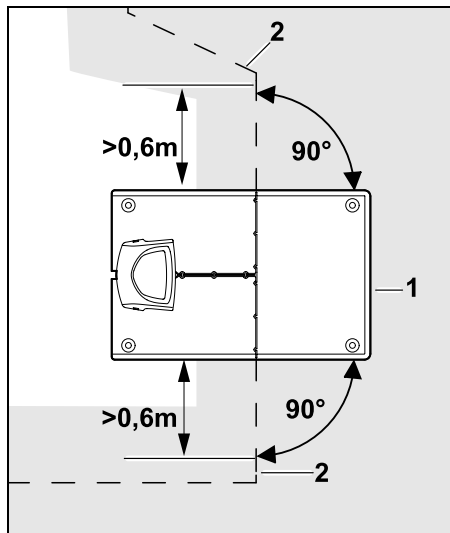
Internal docking station:



The docking station (1) is installed within the mowing area (A), right at the edge.

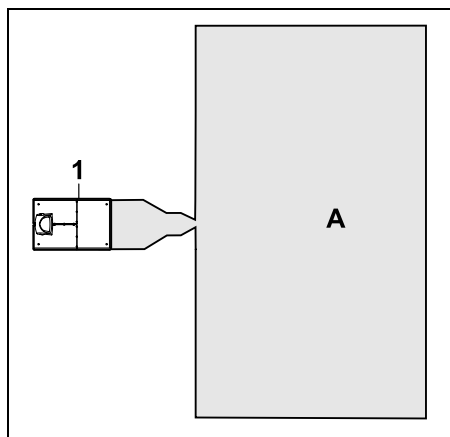


There must be a free, level area (2) with a radius of at least 1 m in front of the docking station (1). Remove any bumps or depressions.



Route the perimeter wire (2) in front of and behind the docking station (1) for **0.6 m** in a straight line and at right angles to the floor plate. Then follow the edge of the mowing area with the perimeter wire.

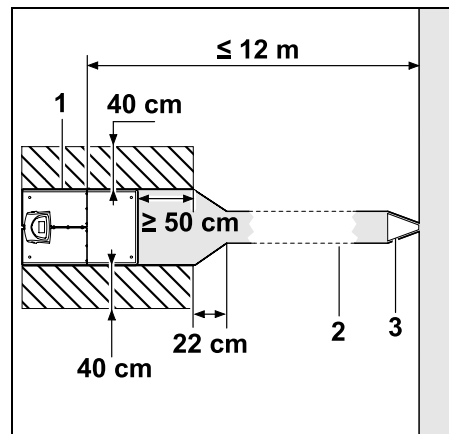
External docking station:



The docking station (1) is installed outside the mowing area (A).

i In conjunction with an external docking station, **guide loops** must be installed for offset drive home. (⇒ 12.12)

Space requirement for external docking station:



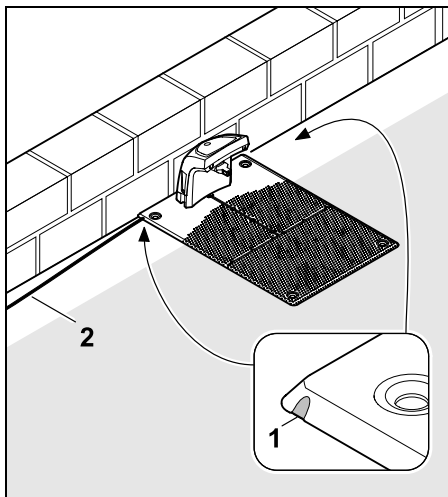
The docking station (1) can be installed as illustrated with a corridor (2) for docking and undocking to take place correctly. The areas around the docking station and outside of the perimeter wire must be flat and freely travelable. Remove any bumps or depressions.

The corridor (2) is installed using the corridor template (3). (⇒ 12.11)

Minimum clearance from the floor plate to the start of the corridor: ≥ 50 cm

Width of the free area to the side: 40 cm
Maximum clearance to the mowing area: ≤ 12 m

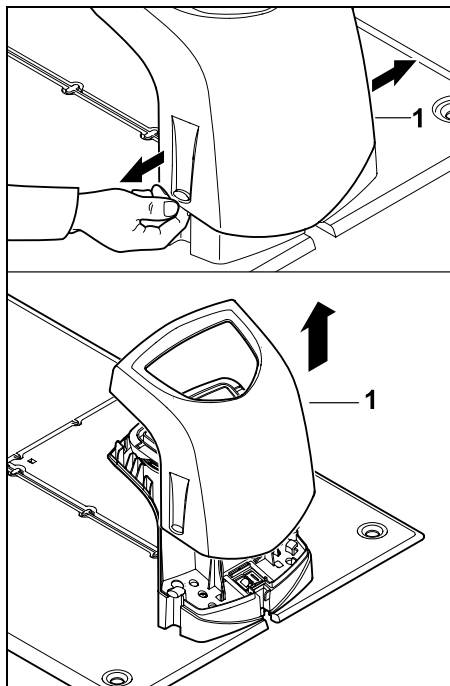
Installing the docking station on a wall:



If the docking station is installed on a wall, a recess (1) must be made on the left or right of the floor plate using a pliers to make space for the power cable (2).

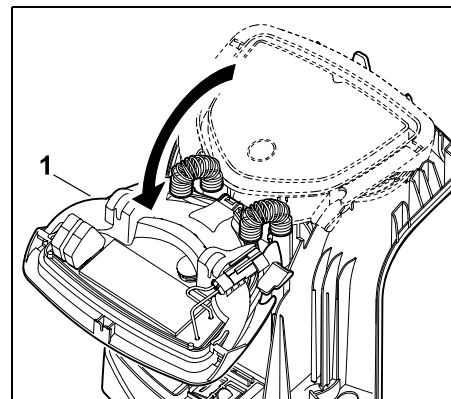
9.2 Docking station connections

Removing the cover:

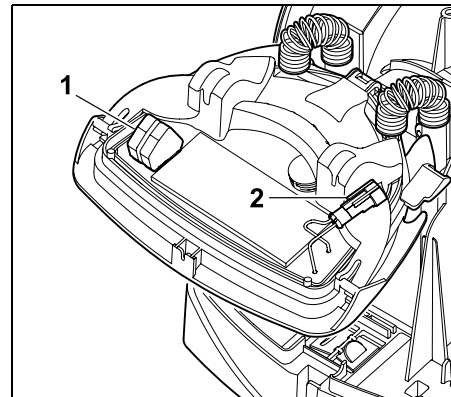


Pull the cover (1) apart slightly on the left and right as illustrated and remove upwards.

Opening the panel:

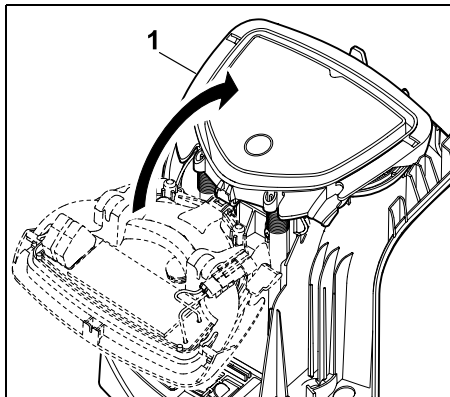


Fold the panel (1) forwards. Hold the panel in the opened position as the hinge springs will close it automatically.



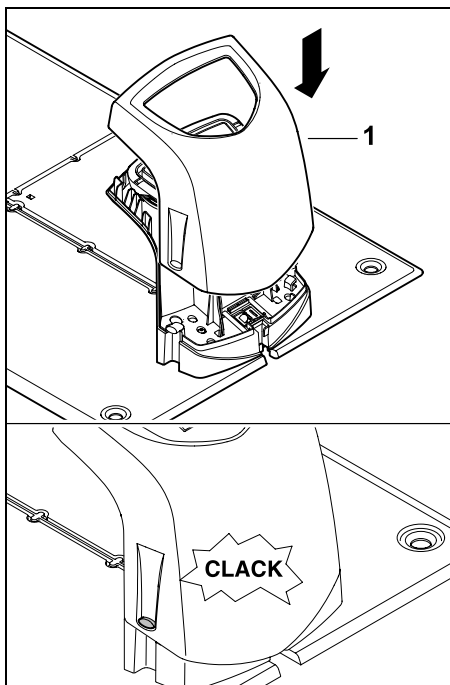
The connections for the perimeter wire (1) and the power cable (2) are protected against the weather when the panel is closed.

Closing the panel:



Fold the panel (1) rearwards – do not pinch any cables.

Fitting the cover:



Fit the cover (1) onto the docking station and allow it to engage – do not pinch any cables.

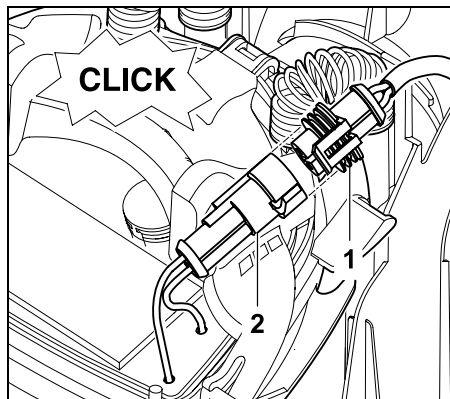
9.3 Connecting the power cable to the docking station



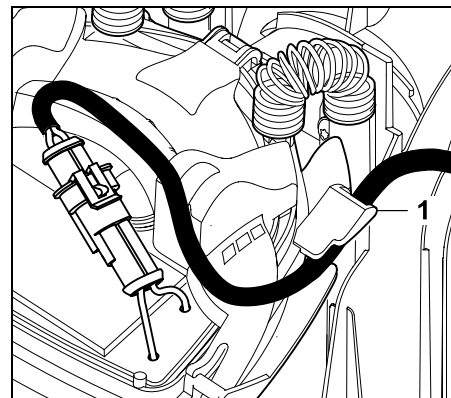
Note:

The plug and connection socket must be clean.

- Remove the docking station cover and open the panel. (⇒ 9.2)

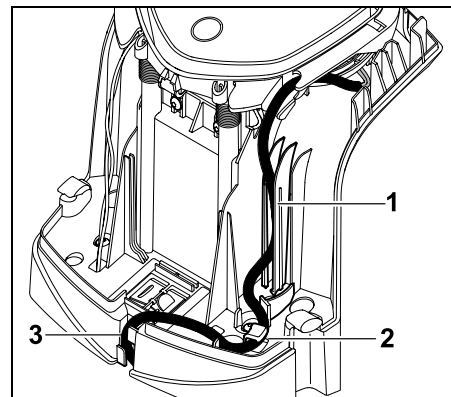


Connect the connector of the power supply unit (1) to the connector of the docking station (2).



Guide the power cable through the cable guide (1) on the panel.

- Close the panel. (⇒ 9.2)

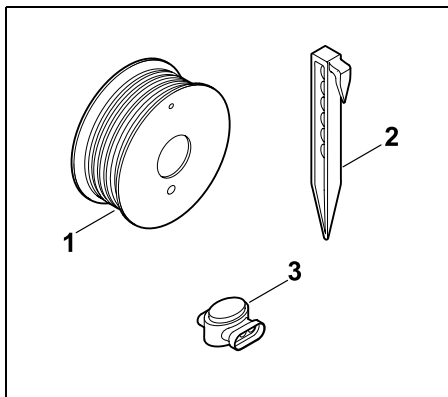


Press the power cable into the cable guide (1) as illustrated and guide through the strain relief (2) and the cable duct (3) to the power supply unit.

- Close the docking station cover. (⇒ 9.2)

9.4 Installation material

If the perimeter wire is not routed by the specialist dealer, additional installation material not included in the standard equipment will be required to be able to operate the robotic mower. (⇒ 18.)



The installation kits contain perimeter wire on a reel (1) as well as fixing pins (2) and wire connectors (3). The standard equipment in the installation kits may include additional parts not required for the installation.

9.5 Adjusting the cutting height

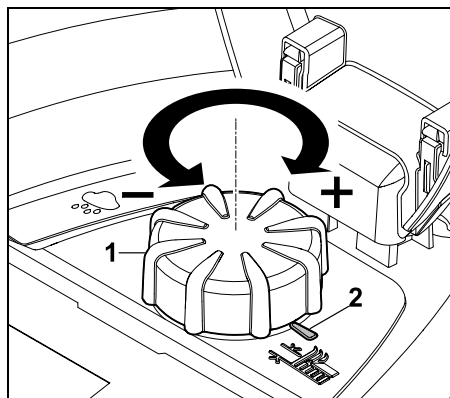
i Set the cutting height to at least **level 4** in the first weeks (until the grass has grown over the perimeter wire) to guarantee reliable operation.

Levels **S1**, **S2** and **S3** are special heights for very level lawns (ground unevenness < +/- 1 cm).

Lowest cutting height:
Level S1 (20 mm)

Highest cutting height:
Level 8 (60 mm)

– Open the flap. (⇒ 15.2)



Turn the rotary knob (1). The marking (2) indicates the set cutting height.

i The rotary knob can be removed upwards from the adjustment element. This design serves a safety function (it ensures that the machine cannot be lifted and carried by the rotary knob) and to prevent the cutting height from being modified by unauthorised persons.

9.6 Notes on initial installation

An installation assistant is available for installation of the robotic mower. This program guides you through the entire initial installation process:

- Setting the language, date and time
- Installing the docking station
- Routing the perimeter wire
- Connecting the perimeter wire



- Linking the robotic mower and docking station
- Checking installation
- Programming the robotic mower
- Completing initial installation

The installation assistant must be worked through in its entirety. Only then is the robotic mower ready for operation.

i The installation assistant is re-activated following a reset (reset to factory defaults). (⇒ 11.17)

Preparatory measures:

- Mow the lawn using a conventional lawn mower prior to initial installation (ideal grass height max. 6 cm).
- In the case of a hard and dry surface, water the mowing area lightly in order to make it easier to drive in the fixing pins.
- The robotic mower must be activated by a STIHL specialist dealer and assigned to the owner's e-mail address. (⇒ 10.)

i When navigating through the menus, follow the instructions in the "Operating instructions" section. (⇒ 11.1)

You can select options, menu items and buttons using the **control pad**.

You can open submenus and confirm selections using the **OK button**.



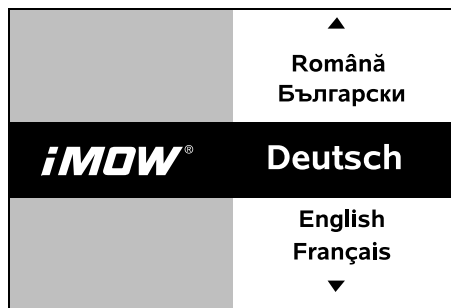
Use the **Back button** to leave the active menu or jump one step back in the installation assistant.



If errors or faults occur during the initial installation, a corresponding message appears on the display. (⇒ 24.)

9.7 Setting the language, date and time

- Pressing any button on the display activates the machine and thus the installation assistant.

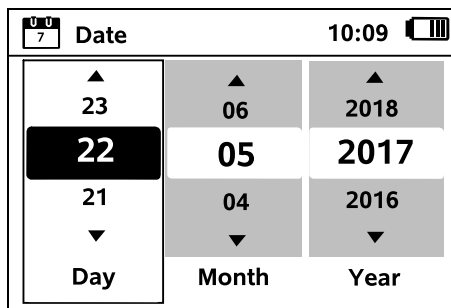


Select the required display language and confirm with the OK button. **OK**

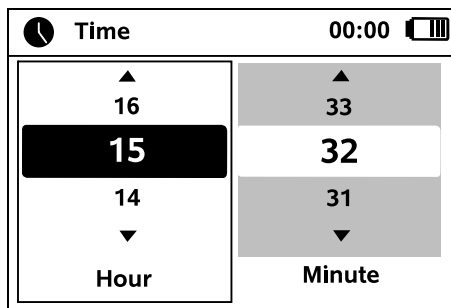


Confirm your language selection with the OK button or select "Change" and repeat the language selection. **OK**

- If necessary, enter the 9-digit serial number of the robotic mower. This number is printed on the identification plate (see Machine overview). (⇒ 3.)



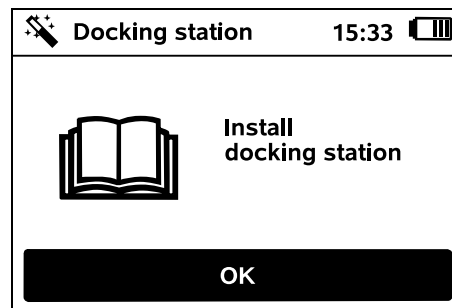
Set the current date using the control pad and confirm with the OK button. **OK**



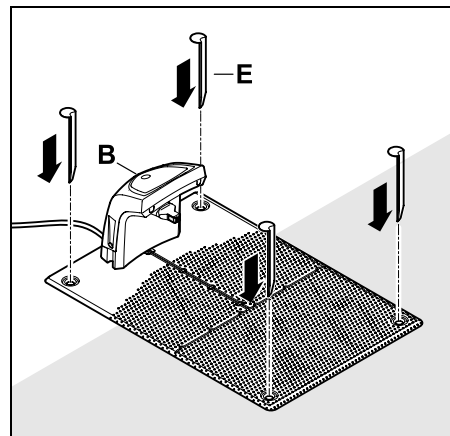
Set the current time using the control pad and confirm with the OK button. **OK**

9.8 Installing the docking station

- i** Read the "Notes on the docking station" section (⇒ 9.1) and study the installation examples (⇒ 27.) in this instruction manual.



- Connect the power cable to the docking station. (⇒ 9.3)
- Route the power cable under the floor plate when the docking station is installed at a wall. (⇒ 9.1)



- i** **Note:** Drive the pegs into the ground in such a way that the docking station floor plate does not bend.

Fix the docking station (B) into position at the chosen location using four pegs (E).

- Install the power supply unit outside the mowing area, protected from direct sunlight, humidity and moisture – fasten to a wall if necessary.

! Correct operation of the power supply unit is only ensured at an **ambient temperature** between **0° C** and **40° C**.

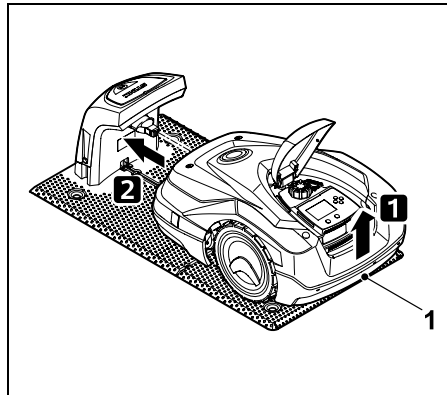
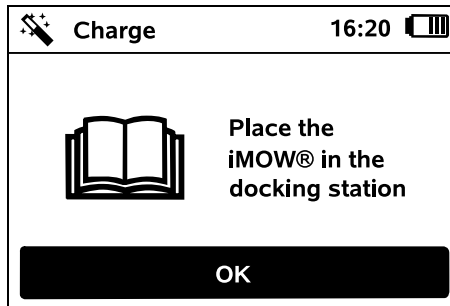
- Route all power cables outside the mowing area, in particular out of reach of the mowing blade, and fasten them to the ground or accommodate in a cable duct.
- Unreel power cables in the vicinity of the docking station in order to avoid interference with the wire signal.
- Connect the mains plug.

i The red LED on the docking station flashes rapidly as long as no perimeter wire is connected. (⇒ 13.1)

- After completing this installation work, press the OK button.

OK

i **With external docking station:** Define at least one starting point outside the corridor to the docking station after initial installation is complete. Define the starting frequency so that 0 of 10 mowing operations (0/10) are started at the docking station (starting point 0). (⇒ 11.14)



Lift the robotic mower slightly by the carrying handle (1) to relieve the weight on the drive wheels. Push the machine, resting on its front wheels, into the docking station.

Then press the OK button on the display.

OK

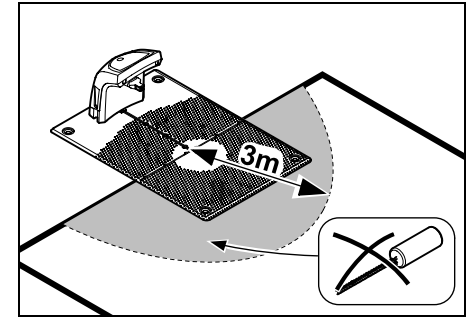
i If the battery is discharged, a plug symbol appears instead of the battery symbol at the top right corner of the display after docking and the battery is charged while the perimeter wire is being routed. (⇒ 15.7)

9.9 Routing the perimeter wire

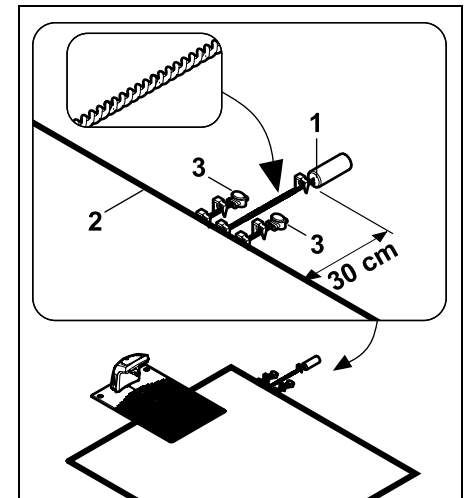
i Please read and observe the entire "Perimeter wire" section before performing wire routing. (⇒ 12.)

In particular, **plan** the routing, observe the **wire clearances** and install **no-go areas**, **reserve wire**, **linking sections**, **secondary areas** and **corridors** during wire routing.

For smaller mowing areas with a wire length of less than 80 m, the **AKM 100** supplied must be installed together with the perimeter wire. If the wire lengths are too short, the docking station flashes SOS and no wire signal is output.



Install the AKM 100 with a minimum clearance to the docking station of 3 m.



Fasten the AKM 100 (1) 30 cm outside the mowing area using a fixing pin. Twist the wire ends as far as the mowing area and fasten using a fixing pin.

Cut the perimeter wire (2) and connect the ends to the ends of the AKM 100's perimeter wire using wire connectors (3) (⇒ 12.16). Fasten the left and right connecting pieces as illustrated using fixing pins.

i Only use genuine fixing pins and genuine perimeter wire. Installation kits with the necessary installation material are available as an accessory from the STIHL specialist dealer. (⇒ 18.)

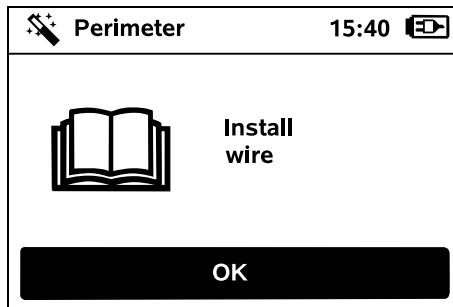
Draw the wire routing in the garden sketch. Content of the sketch:

- **Contour of the mowing area** including important obstacles, borders and any no-go areas which the robotic mower must not mow. (⇒ 27.)
- Position of the **docking station** (⇒ 9.1)
- Position of the **perimeter wire**
After a short while, the perimeter wire is overgrown and is no longer visible. Make a note of the routing of the wire around obstacles in particular.
- Position of the **wire connectors**
After a short while, the wire connectors used are no longer visible. Their position should be noted in order to replace them as required. (⇒ 12.16)

The perimeter wire must be routed in a continuous loop around the entire mowing area.

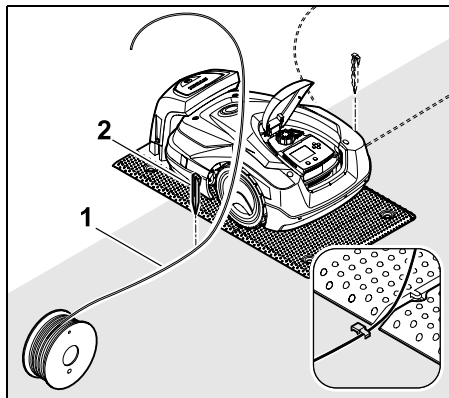
Maximum length: **500 m**

i The robotic mower must not be more than 17 m from the perimeter wire at any point, as this would prevent the wire signal being picked up.

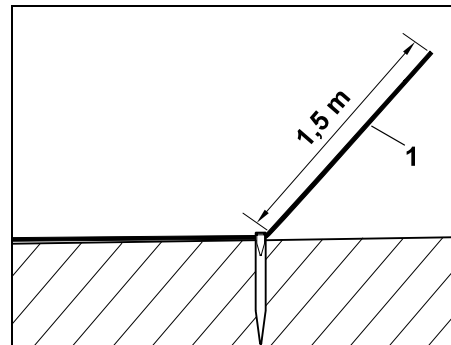


Route the perimeter wire starting at the docking station. A distinction must be made between an **internal docking station** and an **external docking station** here.

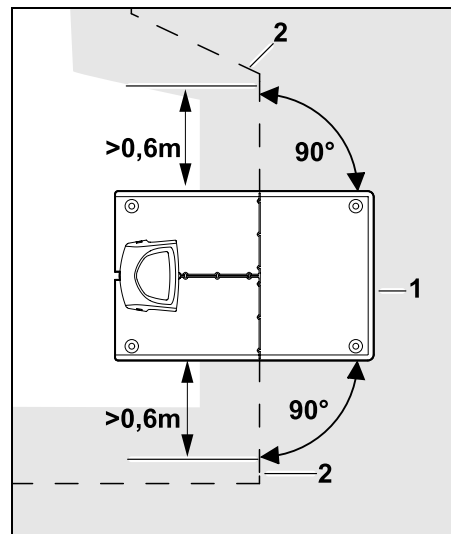
Starting routing with an internal docking station:



Fasten the perimeter wire (1) to the ground on the **left or right** as appropriate, next to the floor plate, directly next to a wire outlet, using a fixing pin (2).



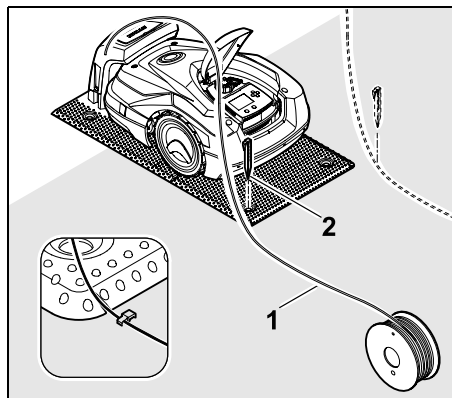
Provide a free wire end (1) with a length of approx. **1.5 m**.



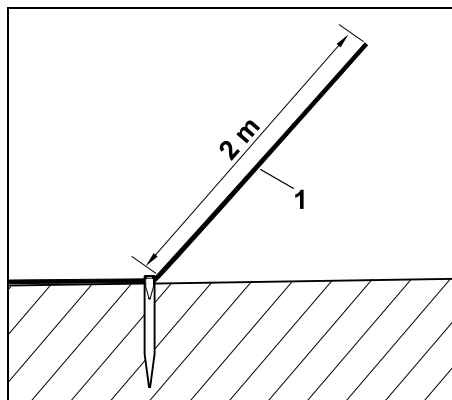
Route the perimeter wire (2) in front of and behind the docking station (1) for **0.6 m** in a straight line and at right angles to the floor plate. Then follow the edge of the mowing area with the perimeter wire.

i If offset drive home (passage) is used, the perimeter wire must be routed at least **1.5 m** in front of and behind the docking station in a straight line and at right angles to the floor plate. (⇒ 11.13)

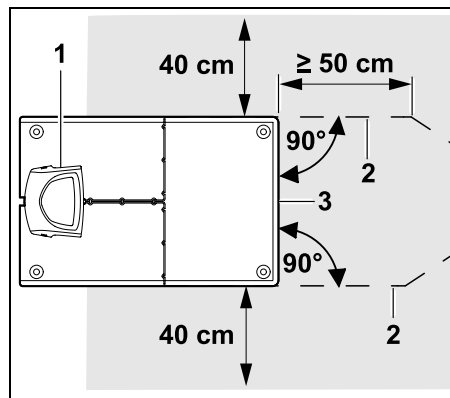
Starting routing with an external docking station:



Fasten the perimeter wire (1) to the ground on the **left** or **right** as appropriate, behind the floor plate, directly next to a wire outlet, using a fixing pin (2).



Provide a free wire end (1) with a length of approx. **2 m**.

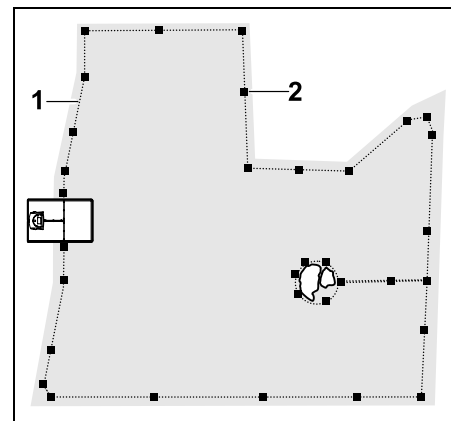


Route the perimeter wire (1) in front of and behind the docking station (1) with 50 cm of clearance and at right angles to the floor plate. A corridor can then be installed (⇒ 12.11) or the edge of the mowing area followed with the perimeter wire.

A freely travelable area with a minimum width of 40 cm must be available to the side of the floor plate (3).

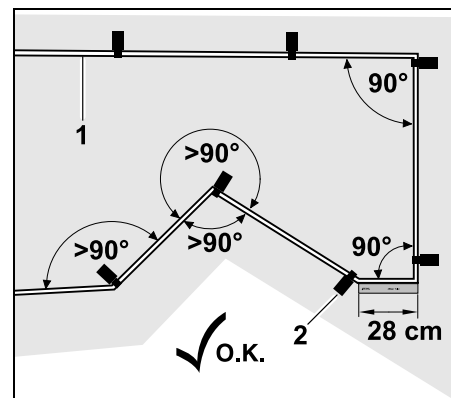
i Further information on installation of the external docking station is contained in the "Installation examples" section. (⇒ 27.)

Wire routing in the mowing area:



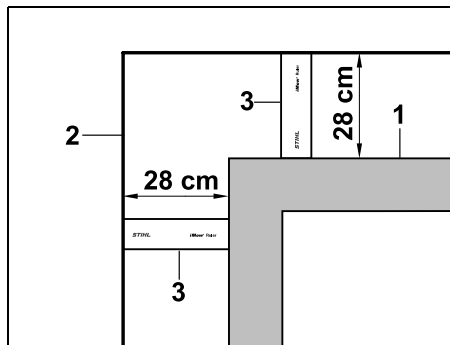
Route the perimeter wire (1) around the mowing area and around any obstacles (⇒ 12.9) and fasten it to the ground using fixing pins (2). Check the clearances using the iMOW® Ruler. (⇒ 12.5)

i The robotic mower must not be more than 17 m from the perimeter wire at any point, as this would prevent the wire signal being picked up.



Avoid routing at acute angles (less than 90°). In acutely angled lawn corners, fasten the perimeter wire (1) to the ground with fixing pins (2) as illustrated. (⇒ 12.6)

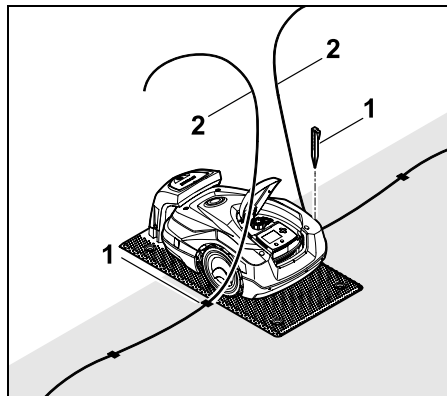
After a 90° corner, at least the length of an iMOW® Ruler must be routed in a straight line before the next corner is installed.



When routing around high obstacles such as wall corners or high flowerbeds (1), the wire clearance must be maintained at the corners to prevent the robotic mower from scraping against the obstacle. Route the perimeter wire (2) with the aid of the iMOW® Ruler (3) as illustrated.

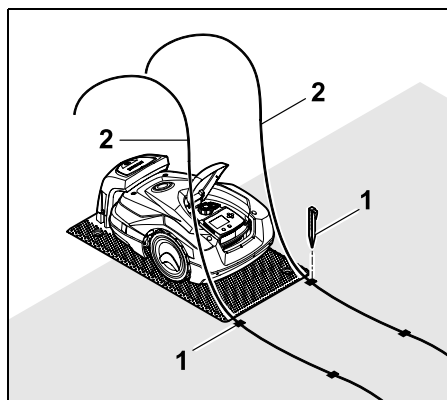
- If necessary, extend the perimeter wire using the wire connectors supplied. (⇒ 12.16)
- In the case of several adjacent mowing areas, install secondary areas (⇒ 12.10) or join the mowing areas with corridors. (⇒ 12.8)

Last fixing pin with internal docking station:



Drive in the last fixing pin (1) on the left or right next to the floor plate, directly next to the wire outlet. Cut off the perimeter wire (2) to a free length of approx. 1.5 m.

Last fixing pin with external docking station:



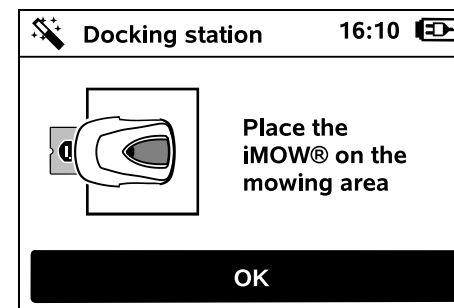
Drive in the last fixing pin (1) on the left or right behind the floor plate, directly next to the wire outlet. Cut off the perimeter wire (2) to a free length of approx. 2 m.

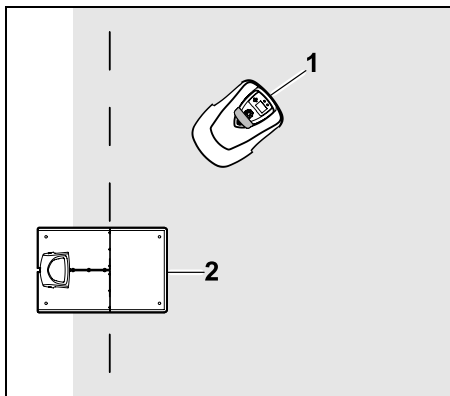
Completing wire routing:

- Check the fastening of the perimeter wire to the ground. One fixing pin per metre is sufficient as a rough guide. The perimeter wire must always lie on the lawn. Drive the fixing pins fully into the ground.
- After completing this installation work, press the OK button. **OK**

! If the battery is not sufficiently charged to work through the remaining steps of the installation assistant, an appropriate message is displayed. In this case, leave the robotic mower in the master docking station and continue charging the battery. Jumping to the next step of the installation assistant with the OK button is only possible once the necessary battery voltage is available.

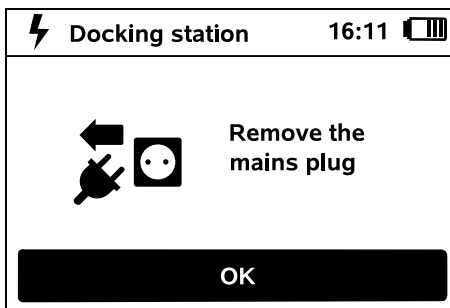
9.10 Connecting the perimeter wire





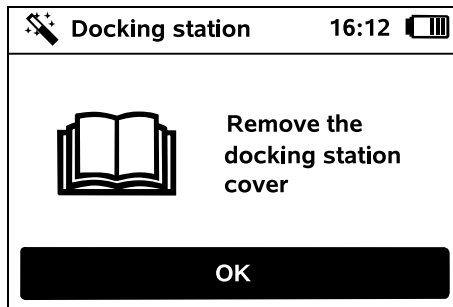
Place the robotic mower (1) within the mowing area, behind the docking station (2) as illustrated, then press the OK button.

OK



Disconnect the power supply unit plug from the mains, then press the OK button.

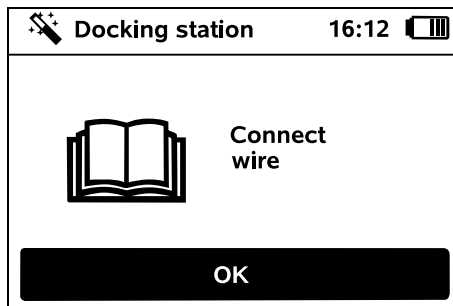
OK



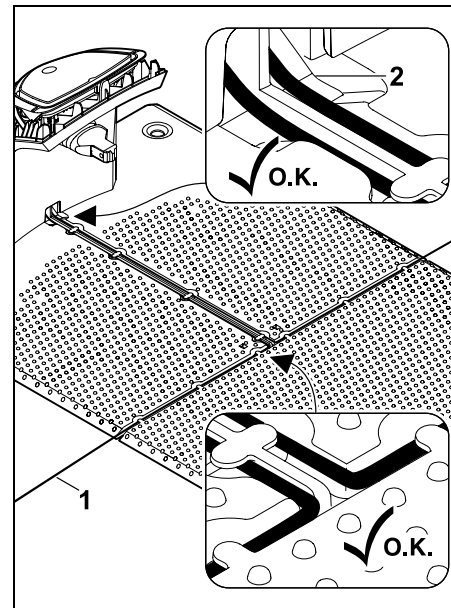
Remove the cover. (⇒ 9.2)

Press the OK button.

OK

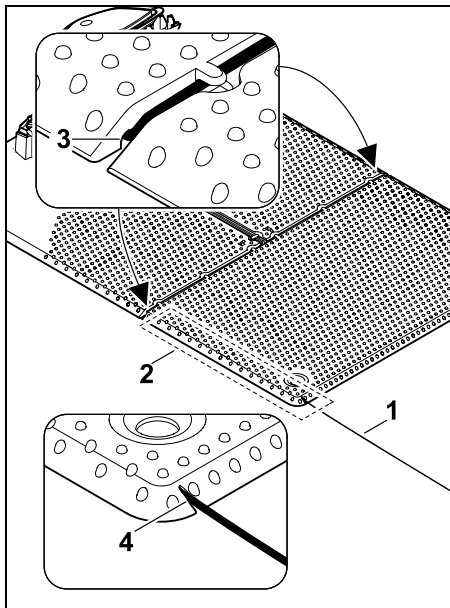


Perimeter wire with internal docking station:

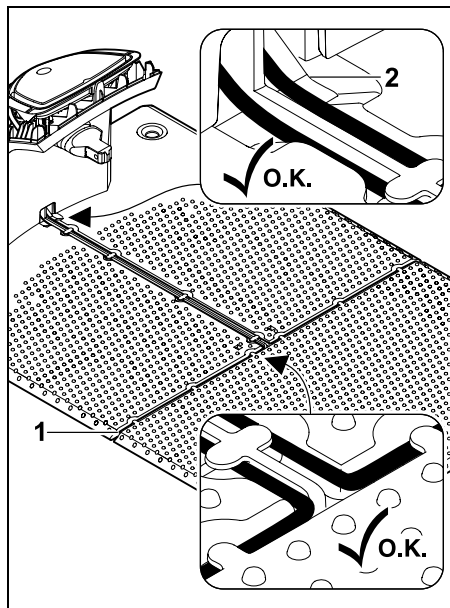


Insert the perimeter wire (1) into the cable guides in the floor plate and guide it through the socket (2).

Perimeter wire with external docking station:



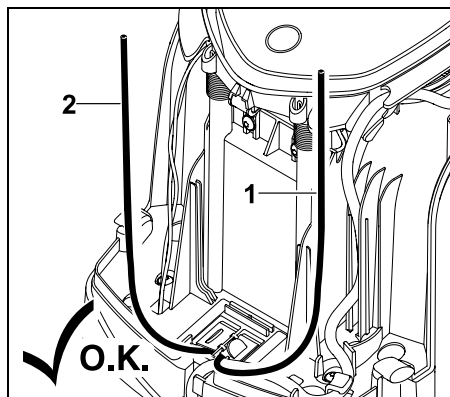
Route the perimeter wire (1) in the area (2) under the floor plate. To do this, guide the wire into the wire outlets (3, 4) – loosen the pegs if necessary.



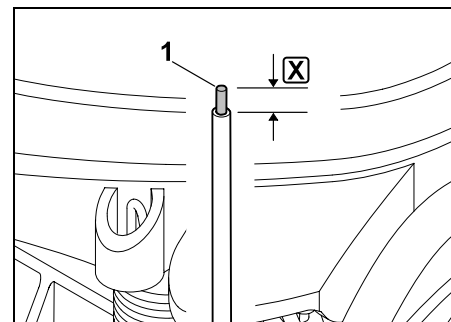
Insert the perimeter wire (1) into the cable guides in the floor plate and guide it through the socket (2).

Connecting the perimeter wire:

i Note:
Make sure that the contacts are clean (not corroded, dirty, etc).

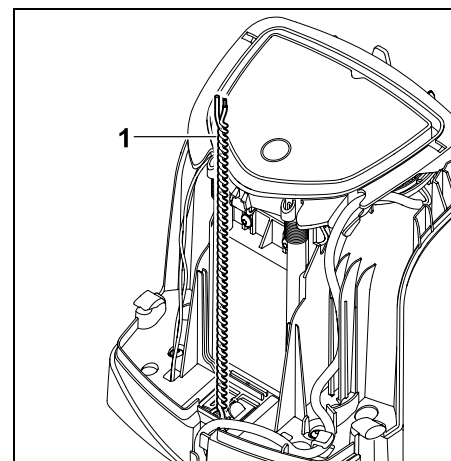


Shorten the left wire end (1) and right wire end (2) to the same length. Length from the wire outlet to the wire end: **40 cm**



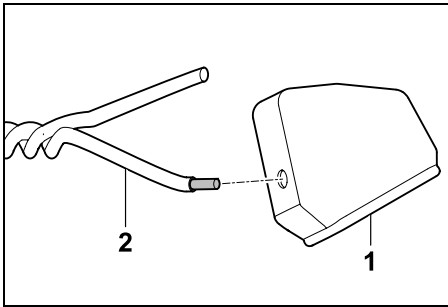
Strip the left wire end (1) to the specified length **X** using a suitable tool and twist the wire strands.

X = 10-12 mm

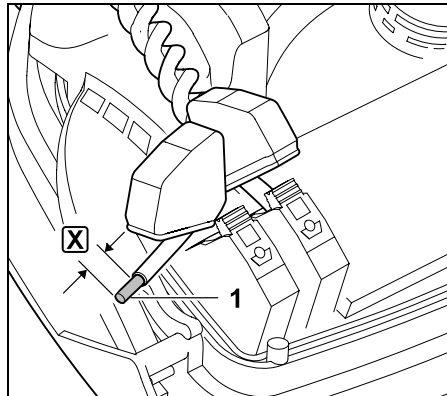


Twist the free wire ends (1) together as illustrated.

- Open the panel and hold. (⇒ 9.2)

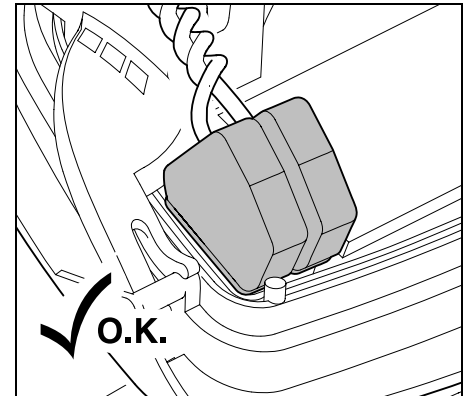


Thread a grommet (1) onto each of the two wire ends (2).



Strip the right wire end (1) to the specified length **X** using a suitable tool and twist the wire strands.

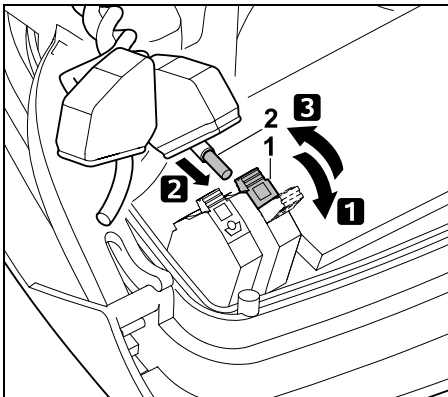
X = 10-12 mm



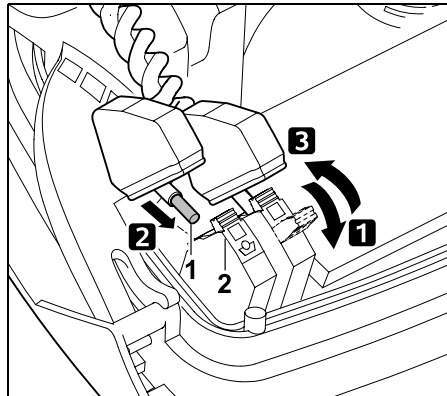
Fit the grommets over the terminal blocks.

Check the seating of the wire ends in the terminal block: the two wire ends must be firmly fastened.

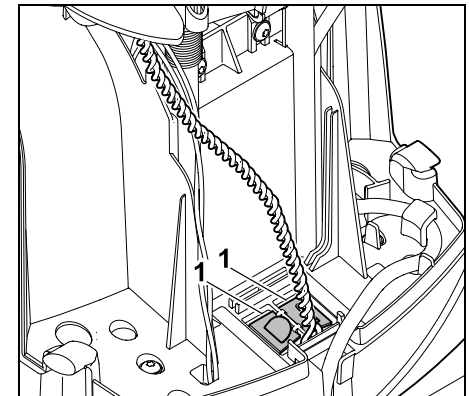
- Close the panel. (⇒ 9.2)



- 1** Fold open the left clamping lever (1).
- 2** Insert the stripped wire end (2) into the terminal block as far as it will go.
- 3** Close the clamping lever (1).



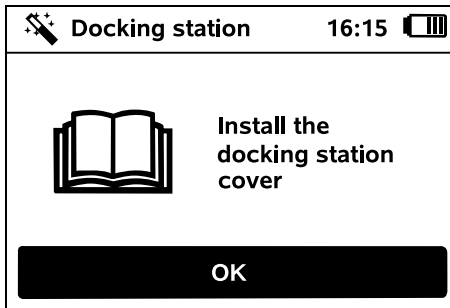
- 1** Fold open the right clamping lever (1).
- 2** Insert the stripped wire end (2) into the terminal block as far as it will go.
- 3** Close the clamping lever (1).



Close the cover of the cable duct (1).

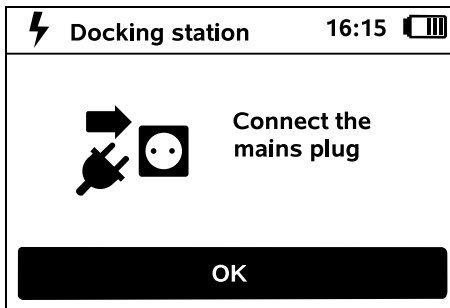
- After completing this installation work, press the OK button.

OK



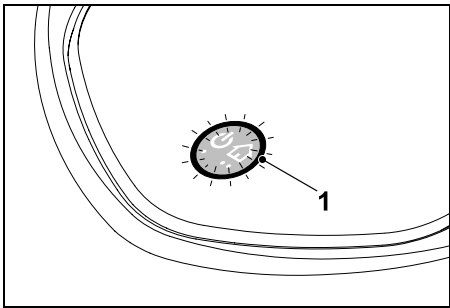
Install the cover. (⇒ 9.2)
Press the OK button.

OK



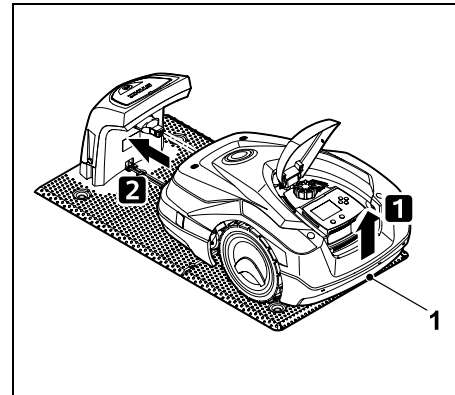
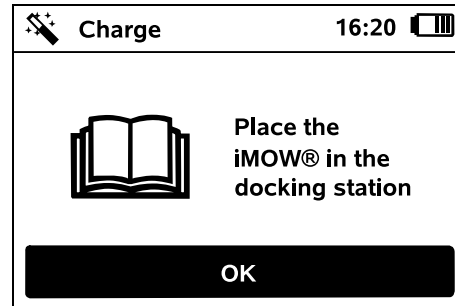
Connect the power supply unit plug to the mains, then press the OK button.

OK



When the perimeter wire is correctly installed and the docking station is connected to the mains power supply, the LED (1) illuminates.

i Note the "Docking station controls" section, particularly if the LED does not illuminate as described. (⇒ 9.2)



Lift the robotic mower slightly by the carrying handle (1) to relieve the weight on the drive wheels. Push the machine, resting on its front wheels, into the docking station.

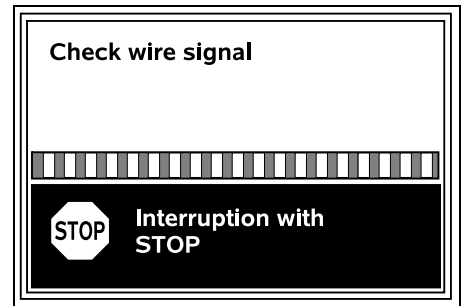
Then press the OK button on the display.

OK

i If the battery is discharged, a plug symbol appears instead of the battery symbol at the top right corner of the display after docking and the battery is charged while the perimeter wire is being routed. (⇒ 15.7)

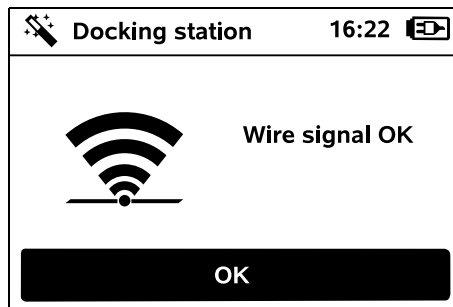
9.11 Linking the robotic mower and docking station

i The robotic mower can only be operated if it correctly receives the wire signal emitted by the docking station. (⇒ 11.16)



Checking the wire signal may take several minutes. The red STOP button on top of the machine terminates the link, the previous installation assistant step is called up.

Normal reception




Wire signal OK:

The text "Wire signal OK" appears on the display. The robotic mower and docking station are correctly linked.



Continue initial installation by pressing the OK button.



 "Standard" energy mode is activated following successful linking. (⇒ 11.10)

Interrupted reception

The robotic mower receives **no wire signal**:

The text "No wire signal" appears on the display.



The robotic mower receives a **faulty wire signal**:

The text "Check wire signal" appears on the display.



The robotic mower receives a **reversed-polarity wire signal**:

The text "Connections swapped or iMOW® outside" appears on the display.



Possible cause:

- Temporary malfunction
- Robotic mower is not docked

- Perimeter wire has been connected incorrectly (reversed polarity)
- Docking station is switched off or not connected to mains supply
- Faulty plug connections
- Minimum perimeter wire length not reached
- A coiled power cable in the vicinity of the docking station
- Perimeter wire ends excessively long or not sufficiently twisted together
- Perimeter wire break
- Extraneous signals such as a mobile phone or the signal from another docking station
- Live underground cables, reinforced concrete or disruptive metals in the ground under the docking station
- Maximum length of the perimeter wire exceeded (⇒ 12.1)


Remedy:

- Repeat linking without other corrective action
- Dock the robotic mower (⇒ 15.6)
- Connect the perimeter wire ends correctly (⇒ 9.10)
- Check the docking station mains connection, roll out the power cable in the vicinity of the docking station, do not set down coiled
- Check the seating of the wire ends in the terminal block, shorten excessively long wire ends and twist the wire ends together (⇒ 9.10)

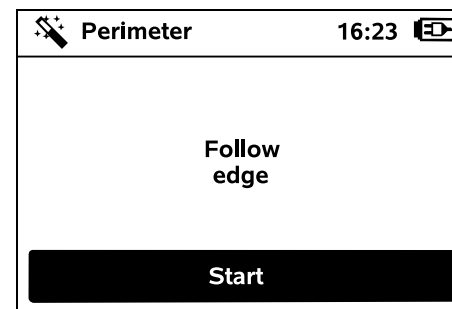
- For smaller mowing areas with a wire length of less than 80 m, the AKM 100 supplied must be installed together with the perimeter wire (⇒ 9.9)
- Check the LED indicator on the docking station (⇒ 13.1)
- Repair the wire break
- Switch off mobile phones or nearby docking stations
- Change the position of the docking station or remove interference sources under the docking station
- Use a perimeter wire with larger cross section (special accessory)

Following the appropriate corrective action, repeat linking by pressing the



 Contact your specialist dealer if the measures described above do not result in a correct wire signal.

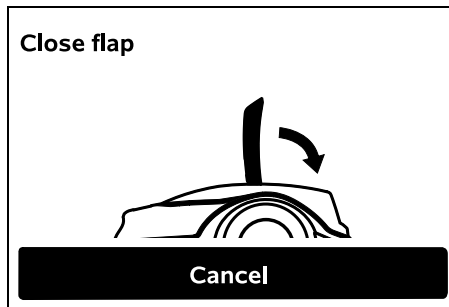
9.12 Checking installation



Start edge following by pressing the OK button – this does not activate the mowing blade.



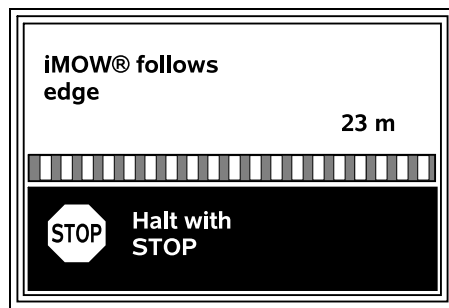
i The robotic mower alternately follows the edge of the mowing area in both directions during running operation after initial installation. Edge following should therefore also be checked in both directions during initial installation.



Close the flap of the robotic mower. (⇒ 15.2) Only once the flap has been closed does the robotic mower start automatically and follow the edge along the perimeter wire.

i Edge following is used to define the **home area** of the robotic mower. (⇒ 14.5)

If the robotic mower is not receiving a GPS signal before starting edge following, the text "Waiting for GPS" appears on the display. The robotic mower starts edge following after a few minutes despite no GPS signal being received. The "Test edge" function (⇒ 11.13) must be performed later in order to use GPS protection, as otherwise no home area is defined.



As the robotic mower follows the edge, walk behind it and ensure

- that the robotic mower follows the edge of the mowing area as planned,
- that the clearances to obstacles and the borders of the mowing area are correct,
- that docking in and out takes place correctly.

The distance covered is shown on the display – this metric specification is required for setting **starting points** at the edge of the mowing area. (⇒ 11.14)

- Read off the displayed value at the required location and write it down. Manually set starting points after initial installation.

The following of edges is automatically interrupted by obstacles, during operation on excessively steep slopes or by pressing the STOP button.

- If edge following has been interrupted automatically, correct the position of the perimeter wire and remove any obstacles.

- Check the position of the robotic mower before continuing edge following. The machine must either be located on the perimeter wire or within the mowing area with the front facing the perimeter wire.

Continuation following interruption:

After an interruption, continue edge following with **OK**.

- i** It is recommended by STIHL not to interrupt edge following. Possible problems when following the edge of the mowing area or when docking may not be recognised.

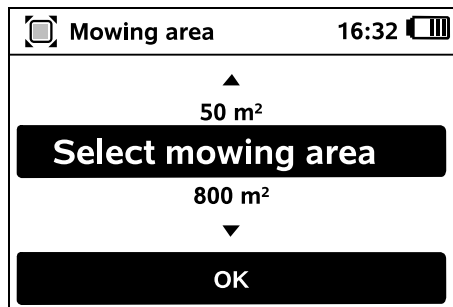
Edge following can be repeated following initial installation if necessary. (⇒ 11.13)

The robotic mower docks after one complete circuit around the mowing area. The system then queries as to whether a second circuit in the opposite direction should be started.

Automatic completion of edge following:

The next step of the installation assistant is called up when the robotic mower docks following the second complete circuit or if edge following in the opposite direction is refused.

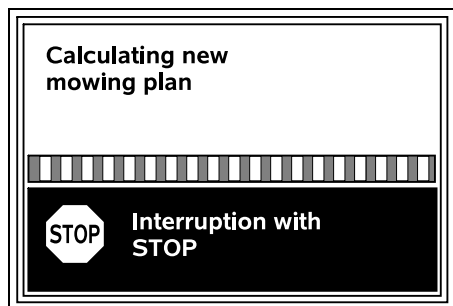
9.13 Programming the robotic mower



Enter the size of the lawn and confirm with OK.

OK

i Installed no-go areas and secondary areas must not be included when calculating the size of the mowing area.



A new mowing plan is being calculated. The procedure can be cancelled using the red STOP button on the top of the machine.



Confirm the message "Confirm each day individually or change active time" by pressing the OK button.

OK



The active times for Monday are displayed and the menu item **Confirm active times** is enabled.

Hand icon

All the active times are confirmed with OK and the next day is displayed.

OK

i In the case of small mowing areas, not all the week days are used for mowing. In this case, no active times are displayed and the menu item "Delete all active times" is omitted. Days without active times must also be confirmed with OK.

The displayed **active times** can be changed. For this purpose, select the required time interval using the control pad and open with OK. (⇒ 14.3)

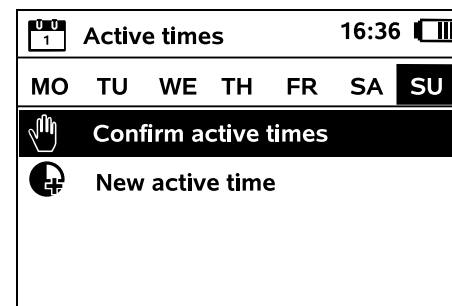
Checkmark icon

If additional active times are required, select the menu item **New active time** and open with OK. Specify the start and end times of the new active time in the selection window and confirm with OK. Up to three active times per day are possible.

Plus icon

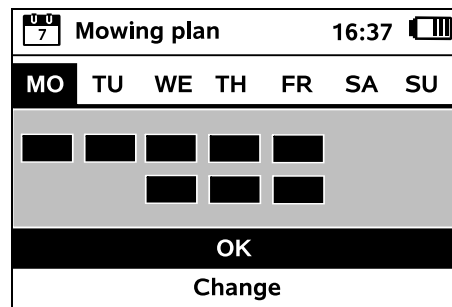
If all the displayed active times are to be deleted, select the menu item **Delete all active times** and confirm with OK.

X icon



The mowing plan is displayed after the active times for Sunday have been confirmed.

OK



The displayed mowing plan is confirmed with OK and the final step of the installation assistant is called up.

OK

If changes are necessary, select **Change** and individually adapt active times.



During the active times, third parties must keep out of the danger area. The active times should be adapted accordingly. Moreover, the applicable local regulations on the use of robotic mowers as well as the information in the "For your safety" section (⇒ 6.) must be observed and the active times changed accordingly in the "Mowing plan" menu as required, either immediately or after completion of initial installation. (⇒ 11.7) In particular, you should check the times of the day and night at which it is permissible to use the machine with the responsible authorities.

9.14 Completing initial installation



Remove all foreign bodies (e.g. toys, tools) from the mowing area.



Complete initial installation by pressing the OK button.

OK



After initial installation, the safety level "None" is activated.

Recommendation:

Set the safety level to "Low", "Medium" or "High". This ensures that unauthorised people cannot change any settings or operate the robotic mower using other docking stations. (⇒ 11.16) In addition, activate GPS protection. (⇒ 5.9)



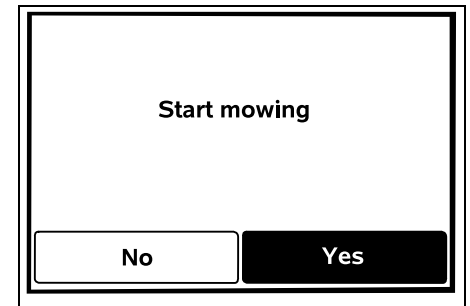
To be able to use all the functions of the robotic mower, the **iMOW® app** must be installed on a smartphone or tablet with an Internet connection and GPS receiver, and started. (⇒ 10.)

Close the dialog window by pressing the OK button.

OK

9.15 First mowing operation after initial installation

If completion of initial installation occurs during an active time, the robotic mower will begin to mow the mowing area immediately.



If completion of the initial installation occurs outside the active time, a mowing operation can be started by pressing the OK button. If you do not wish the robotic mower to mow, select "No".

OK

10. iMOW® app

The robotic mower can be operated using the **iMOW® app**. The app is available for the most popular operating systems in respective app stores.



Further information is available on the web.imow.stihl.com/systems/homepage.



The regulations in the "For your safety" section apply in particular to all users of the **iMOW® app**. (⇒ 6.)

Activation:

In order for the app and robotic mower to be able to exchange data, the machine must be activated with the owner's e-mail address by the specialist dealer. An activation link is sent to the e-mail address. The **iMOW® app** should be installed on a smartphone or tablet with an Internet connection and GPS receiver. The e-mail

recipient is defined as the administrator and primary user; this person has full access to all functions.

i Keep the e-mail address and password safe so that the **iMOW® app** can be reinstalled should the smartphone or tablet be changed (e.g. if the mobile phone is lost).

Data traffic:

Data transmission from the robotic mower to the Internet (M2M service) is included in the purchase price.

Data transmission does not take place continuously and can therefore take a few minutes.

The transmission of data from the app to the Internet will result in costs that must be borne by the user; these costs will be determined by the contract with the mobile phone provider or Internet provider.

i GPS protection is only available without e-mail, SMS and push notifications without a mobile radio connection and app.

Main functions of the app:

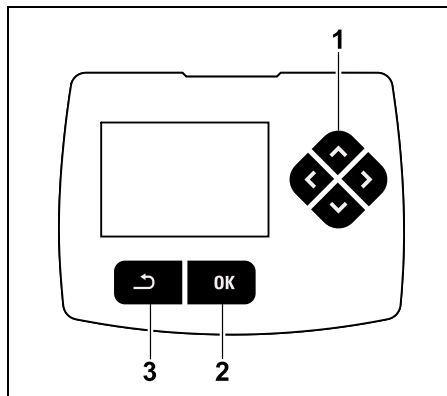
- Viewing and editing the mowing plan
- Starting mowing
- Switching automatic mowing on and off
- Sending the robotic mower to the docking station
- Changing the date and time

! Changing the mowing plan, starting a mowing operation, switching automatic mowing on and off, sending the robotic mower home and changing the date and time can result in activities that will not be expected by other people. Affected people must therefore always be notified in advance about possible activities of the robotic mower.

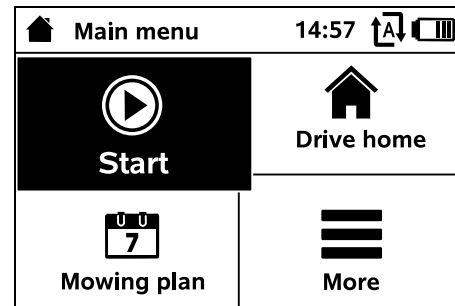
- Calling up machine information and the location of the robotic mower

11. Menu

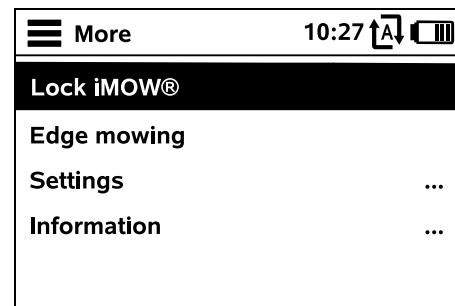
11.1 Operating instructions



The control pad comprises four direction buttons (1). It serves for navigation in the menus. Settings are confirmed and menus opened using the OK button (2). Menus can be exited again using the Back button (3).



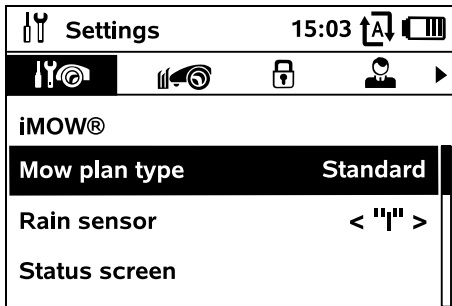
The main menu comprises 4 submenus, displayed as buttons. The selected submenu has a black background and is opened using the OK button.



The second menu level is displayed as a list. You move up and down through the submenus by pressing the control pad. Active menu entries have a black background.

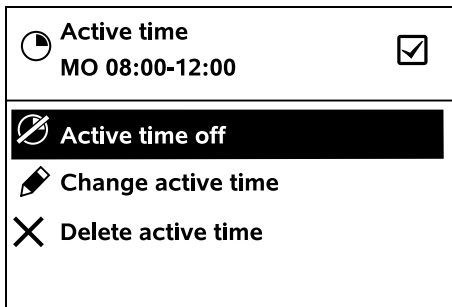
The scroll bar at the right edge of the display indicates that further entries can be displayed by pressing the control pad downwards or upwards.

Submenus are opened by pressing the OK button.



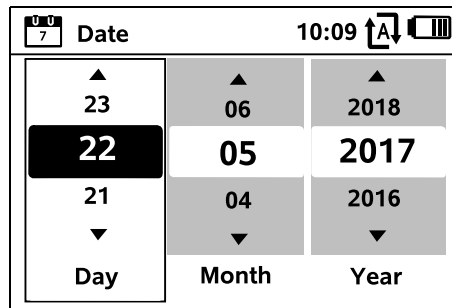
The "Settings" and "Information" submenus are shown as tabs.

The tabs can be selected by pressing the control pad to the left or right, submenus by pressing the control pad downwards or upwards. Active tabs and menu entries have a black background.



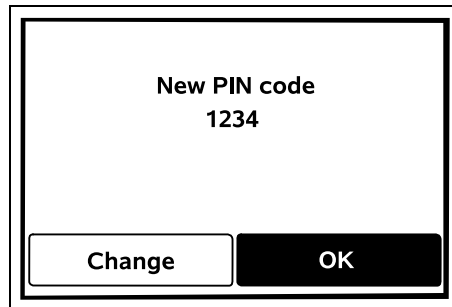
Options are listed in the submenus. Active list entries have a black background. Pressing the OK button opens a selection or a dialog window.

Selection window:



Settings can be changed by pressing the control pad. The current value is highlighted in black. The OK button confirms all the values.

Dialog window:

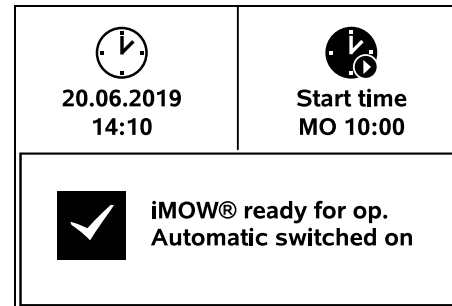


If changes have to be saved or messages confirmed, a dialog window appears on the display. The active button has a black background.

In the case of selection options, the relevant button can be activated by pressing the control pad to the left or right.

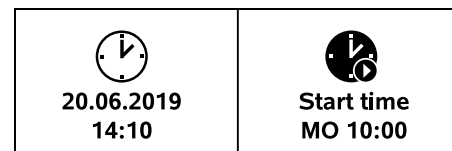
The selected option is confirmed and the higher-level menu called up using the OK button.

11.2 Status screen



The status screen appears


- when standby mode of the robotic mower is ended by pressing a button,
- when the Back button is pressed in the main menu,
- during running operation.



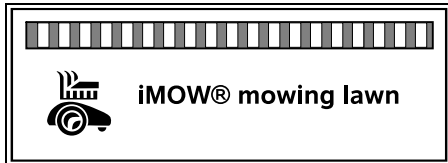
There are two configurable fields in the top display area. Various information regarding the robotic mower and the mowing operations can be displayed here. (⇒ 11.12)


Status information with no running activity:

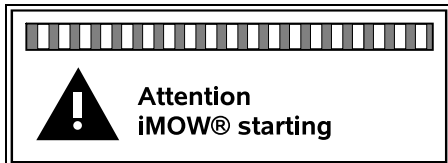


The name of the robotic mower (⇒ 10.) and the text "iMOW® ready for op." are displayed in the bottom area of the screen together with the symbol shown, the automatic mowing status (⇒ 15.4) and information on GPS protection (⇒ 5.9). 


Status information during running activities:




The text "iMOW® mowing lawn" and a corresponding symbol are shown on the display during a running **mowing operation**. The text and symbol are adapted to the respective active operation. 




The text "Attention – iMOW® starting" and a warning symbol are displayed **before the mowing operation**.

 Flashing of the display illumination and a signal tone additionally indicate the impending start of the mowing motor. The mowing blade is only activated a few seconds after the robotic mower has been set into motion.


Edge mowing:

While the robotic mower mows the edges of the mowing area, the text "Mowing edge" is displayed. 


Drive to docking station:

When the robotic mower returns to the docking station, the relevant reason is indicated in the display (e.g. Battery discharged, Mowing completed). 


Battery charging:

The text "Charging battery" appears during charging of the battery. 

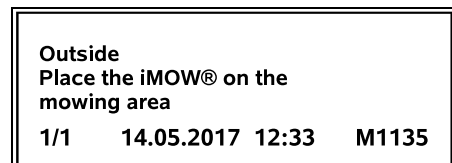
Approach starting points:

When the robotic mower approaches a starting point when a mowing operation starts, the text "Approaching starting point" is displayed. 


Travel to desired zone:

When the robotic mower approaches a desired zone when a mowing operation starts, the text "Travel to desired zone" is displayed. 

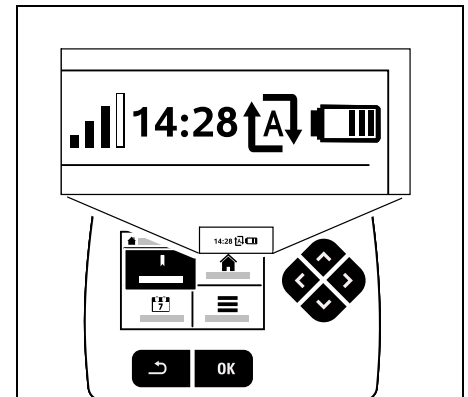
Message screen:



Errors, faults or recommendations are displayed together with warning symbol, date, time and message code. If several messages are active, they appear alternately. (⇒ 24.)

 The message and status information appear alternately if the robotic mower is ready for operation.

11.3 Information area



The following information is shown in the top right corner of the display:

1. Charge state of the battery or charging in progress
2. Automatic mowing status
3. Time
4. Mobile radio signal

1. Charge state:

The **battery symbol** serves to indicate the charge state.

No bars – battery discharged
1 to 5 bars – battery partially discharged
6 bars – battery fully charged



During charging, the **mains plug symbol** is shown instead of the battery symbol.



2. Automatic mowing status:

When automatic mowing is switched on, the **Automatic symbol** appears.



3. Time:

The current time is indicated in 24 hour format.

4. Mobile radio signal:

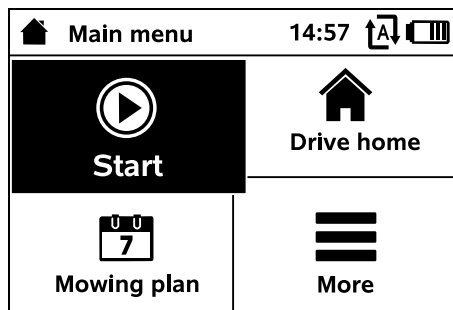
The **signal strength** of the mobile radio connection is indicated using 4 bars. The more bars visible, the better the reception.



A reception symbol with a small x indicates that there is no connection with the Internet.

A question mark is shown during initialisation of the radio module (checking hardware and software, e.g. after switching on the robotic mower).

11.4 Main menu



The main menu is displayed,

- when the status screen (⇒ 11.2) is left by pressing the OK button,
- when the Back button is pressed in the second menu level.

1. Start (⇒ 11.5)

Mowing time
Starting pt.
Mowing on



2. Drive home (⇒ 11.6)



3. Mowing plan (⇒ 11.7)

Automatic mowing
Mowing duration
Active times
New mowing plan

4. More (⇒ 11.8)

Lock iMOW®
Edge mowing
Settings
Information



11.5 Start

	Start mowing	15:02		
Mowing time		1.5 h		
Starting pt.		Starting pt. 1		
Mowing on		Main area		

1. Mowing time:

The mowing time can be defined.

2. Starting pt.:

The starting point where the robotic mower starts mowing can be selected. This selection is only available if starting points are defined and if the robotic mower is in the docking station.

3. Mowing on:

The area to be mown can be selected. This selection is only available if there is a secondary area installed.

11.6 Drive home

The robotic mower travels back to the docking station and charges the battery. If automatic mowing is switched on, the robotic mower will mow the mowing area again at the next possible active time.



The robotic mower can also be sent back to the docking station using the app. (⇒ 10.)

11.7 Mowing plan

	Mowing plan	11:02		
Automatic mowing		On		
Mowing duration		18 h		
Active times		...		
New mowing plan				

Automatic mowing

On - Automatic mowing is switched on. The robotic mower mows the lawn until the next active time.

Off - All active times are disabled.


Pause today - The robotic mower suspends automatic mowing until the next day. This selection is only available if there are more active times scheduled on the current day.

Mowing duration

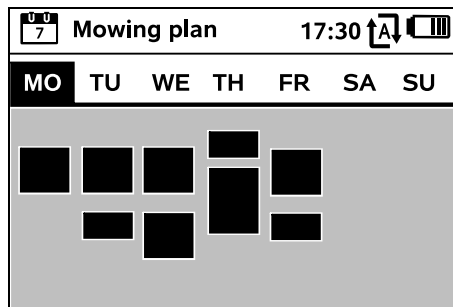
The weekly mowing duration can be set. This setting is only possible with the mow plan type "Dynamic". The preset value is adapted to the size of the

mowing area. (⇒ 14.4)


Follow the instructions in the "Adapting the programming" section. (⇒ 15.3)

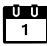
 The mowing duration can also be set using the app. (⇒ 10.)

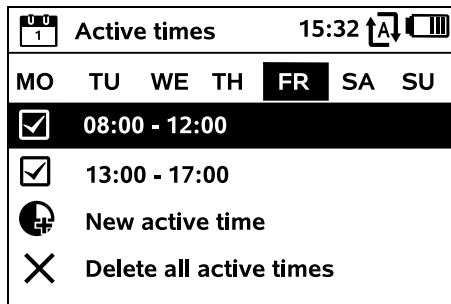
Active times





The **saved mowing plan** can be called up via the "Active times" menu in the "Mowing plan" menu. The rectangular blocks beneath the respective days represent the saved active times. Mowing is possible in active times marked in black. Grey blocks represent active times without mowing operations – e.g. in the case of a disabled active time.


 When automatic mowing is switched off, the entire mowing plan is disabled and all active times are shown in grey.

If the active times for an **individual day** need to be edited, the day must be activated via the control pad  (press to the left or right) and the **Active times** submenu must be opened.




Mowing is permitted during **ticked** active times; these times are marked in black in the mowing plan. 


Mowing is not permitted during **unticked** active times; these times are marked in grey in the mowing plan. 


 Follow the instructions in the "Notes on mowing – Active times" section. (⇒ 14.3)

In particular, third parties must keep out of the danger area during the active times.

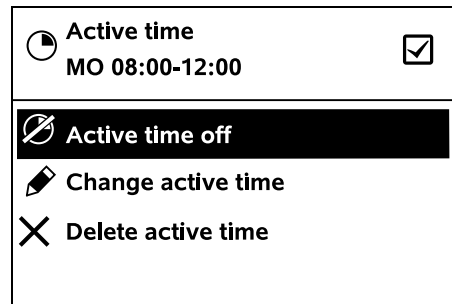
 Active times can also be edited using the app. (⇒ 10.)



The saved active times can be individually selected and edited.


The **New active time** menu item  can be selected provided fewer than 3 active times per day have been saved. An additional active time must not overlap with other active times.


If the robotic mower is not to mow on the selected day, the menu item **Delete all active times**  should be selected.


Changing active times:




The selected active time for automatic mowing can be disabled or enabled using **Active time off**  and **Active time on**  respectively.


The time window can be changed with **Change active time**. 

If the selected active time is no longer required, the menu item **Delete active time**  should be selected.

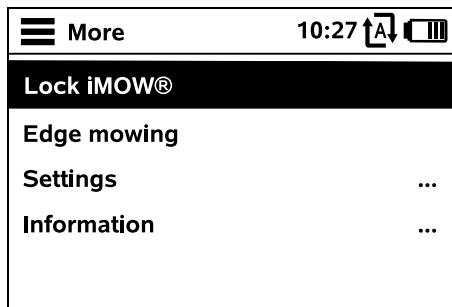
 If the time windows for the necessary mowing and charging operations are not sufficient, active times must be extended or added, or the mowing duration must be reduced. A corresponding display message appears.

New mowing plan

The command **New mowing plan**  deletes all stored active times. The step "Program the robotic mower" of the installation assistant is called up. (⇒ 9.13)

 If completion of the reprogramming occurs during an active time, the robotic mower begins an automatic mowing operation after the individual daily plans have been confirmed.

11.8 More



1. Lock iMOW®:

Activates the **disabling device**.

Press the illustrated button combination to unlock. (⇒ 5.2)

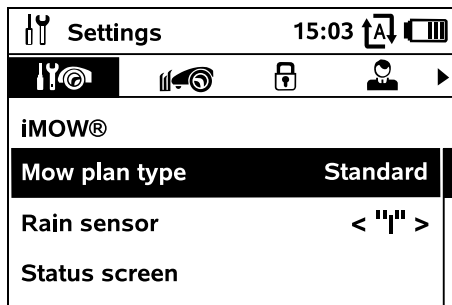
2. Edge mowing:

Following activation, the robotic mower mows the edge of the mowing area. After completing one circuit, it travels back to the docking station and charges the battery.

3. Settings (⇒ 11.9)

4. Information (⇒ 11.18)

11.9 Settings



1. iMOW®:

Adapt machine settings

(⇒ 11.10)



2. Installation:

Adapt and test the installation

(⇒ 11.13)



3. Safety:

Adapt the safety settings (⇒ 11.16)



4. Service:

Maintenance and service (⇒ 11.17)



5. Dealer area:

The menu is protected by the

dealer code. Your specialist dealer performs a variety of maintenance and service operations with the aid of this menu.



11.10 iMOW® – machine settings

1. Mow plan type:

Standard: The robotic mower mows the lawn throughout the entire active time.

Mowing operations are only interrupted for charging. The mow plan type Standard is preset.

Dynamic: The number and duration of mowing and charging times are adapted fully automatically within the active times.

2. Rain sensor:

The rain sensor can be set so that mowing is interrupted or does not start when it is raining.

- Setting the rain sensor (⇒ 11.11)



3. Status screen:

Select the information that is to appear in the status screen. (⇒ 11.2)



- Configuring the status screen (⇒ 11.12)

4 Time:

Set the current time.

The set time must correspond to the actual time in order to prevent inadvertent mowing by the robotic mower.



The time can also be set using the app. (⇒ 10.)



5 Date:

Set the current date.

The set date must correspond to the actual calendar date in order to prevent inadvertent operation of the robotic mower.



The date can also be set using the app. (⇒ 10.)



6. Date format:

Set the required date format.



7. Language:

Set the required display language. The language selected during initial installation is set as the default.



8. Contrast:

The display contrast can be adjusted as required.



9. Energy mode:

In **Standard**, the robotic mower is connected to the Internet at all times and can be reached using the app. (⇒ 10.) In **ECO**, radio communication is deactivated during rest periods to reduce energy consumption; the robotic mower cannot be reached using the app. The most recent available data is shown in the app.



11.11 Setting the rain sensor

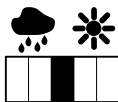
In order to set the 5-stage sensor, press the control pad to the left or right. The current value is displayed in the "Settings" menu by means of a line diagram.



Moving the control influences

- the sensitivity of the rain sensor,
- the time the robotic mower waits for the sensor surface to dry following rain.

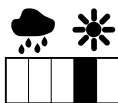
In the case of **medium sensitivity**, the robotic mower is ready for operation under normal ambient conditions.



Move the bar further **to the left** for mowing at a higher humidity. If the bar is moved all the way to the left, the robotic mower will mow even in wet external conditions and will not interrupt the mowing operation if rain drops land on the sensor.



Move the bar further **to the right** for mowing at a lower humidity. If the bar is moved all the way to the right, the robotic mower will only mow if the rain sensor is completely dry.



11.12 Configuring the status screen

In order to configure the status screen, select the left or right screen with the control pad and confirm with OK.

Charge state:

Shows the battery symbol with the charge state in percent



Rem. time:

The remaining mowing duration during the current week in hours and minutes. This display is only available with the mow plan type "Dynamic".



Time and date:

Current time and current date



Start time:

Start of the next planned mowing operation. During a running active time, the text "active" is displayed.



Mowing ops:

Total number of mowing operations performed



Mowing hours:

Total duration of all mowing operations performed



Distance:

Total distance covered



Network:

Signal strength of the mobile radio connection with network ID. A small x or question mark indicates that the robotic mower is not connected to the Internet. (⇒ 11.3), (⇒ 11.18)



GPS reception:

GPS coordinates of the robotic mower. (⇒ 11.18)



i If no mapping for the direct drive home (⇒ 11.15) is stored, the robotic mower's drive home will be executed at the edge and the settings for the passage will be taken into consideration.

Three versions can be selected:

Off – Default setting

The robotic mower travels along the perimeter wire.

Narrow – 40 cm

The robotic mower alternatively travels along the perimeter wire or offset by 40 cm.

Wide – 40 - 80 cm

The distance to the perimeter wire is selected randomly within this passage during each drive home.

i In conjunction with an external docking station as well as with corridors and confined areas, **guide loops** must be installed for offset drive home. (⇒ 12.12)

Observe a minimum wire clearance of 2 m for offset drive home.

2. Starting points:

The robotic mower either starts the mowing at the docking station (default setting) or at a starting point.



Starting points are to be defined

- if partial areas are to be travelled to in a targeted manner because they are insufficiently mowed,
- if areas can only be accessed via a corridor. At least one starting point must be defined in these partial areas.

The starting points can be assigned a **radius**. If the robotic mower starts mowing at the relevant starting point, it always mows within a circle around the starting


point first. Once it has mown this partial area, it continues mowing in the remaining area.

- Setting starting points (⇒ 11.14)

3. Direct drive home:

Create internal mapping of the mowing area for the direct drive home. (⇒ 11.15)

4. Secondary areas:

Enable secondary areas. 

Inactive – Default setting

Active – Setting if secondary areas are to be mown. The mowing area (main area/secondary area) must be selected in the "Start" menu. (⇒ 12.10)

5. Edge mowing:

Define the mowing frequency. 


Never – The edges are never mown.

Once – Default setting, the edges are mown once a week.


Twice/Three times/Four times/Five times

– The edges are mown twice/three times/four times/five times per week.

6. Test edge:


Start edge following for checking correct wire routing. 

The step "Check installation" of the installation assistant is called up. (⇒ 9.12)

 To check correct wire routing around no-go areas, position the robotic mower in the mowing area with the front facing the no-go area and start edge following.

The home area of the robotic mower is defined during edge following. If necessary, a home area already stored in the memory is extended. (⇒ 14.5)

7. New installation:


The installation assistant is started again, the existing mowing plan is deleted. (⇒ 9.) 


11.14 Setting starting points

To set, either


- learn starting points
- or
- select the required starting point and define it manually.

Learn start points:

After pressing the OK button, the robotic mower begins a new learning run along the perimeter wire. If it is not docked, it first travels to the docking station. All the existing starting points are deleted. 

 The home area of the robotic mower is defined during the learning run. If necessary, a home area already stored in the memory is extended. (⇒ 14.5)

During travel, up to 4 starting points can be specified by pressing the OK button after opening the flap.

 Avoid pressing the STOP button before opening the flap as this interrupts the learning run. Interruption is generally only necessary to change the wire position or remove obstacles.

Interrupting the learning procedure:

Manually – by pressing the STOP button.
Automatically – by obstacles at the edge of the mowing area.

- If the learning run has been interrupted automatically, correct the position of the perimeter wire and remove any obstacles.
- Check the position of the robotic mower before continuing the learning run. The machine must either be located on the perimeter wire or within the mowing area with the front facing the perimeter wire.

Ending the learning procedure:

Manually – following an interruption.
Automatically – after docking.
After docking or after the interruption, the new starting points are saved by confirming with OK (after opening the flap).

Starting frequency:

The starting frequency defines how often a mowing operation is to begin from a starting point. The default setting is 2 of 10 mowing operations (2/10) at each starting point.

- Change the starting frequency as required after learning.
- If the learning procedure has been aborted prematurely, send the robotic mower back to the docking station via a command. (⇒ 11.6)
- A **radius** from 3 m to 30 m around each starting point can be defined after learning. The stored starting points are not assigned any radius as standard.

Starting points with radius:

When the mowing operation is started at the respective starting point, the robotic mower starts by mowing the partial area within the circular segment around the starting point. Only then does it mow the rest of the mowing area.

Setting starting point 1 to 4 manually:

Determine the distance of the starting points from the docking station and define the starting frequency.

The **distance** corresponds to that covered from the docking station to the starting point in metres, measured in a clockwise direction.

The **starting frequency** can be between 0 of 10 mowing operations (0/10) and 10 of 10 mowing operations (10/10).

A **radius** from 3 m to 30 m around the starting point can be defined.



The **docking station** is defined as **starting point 0**; mowing operations are started from here as standard.

The starting frequency corresponds to the calculated residual value of 10 out of 10 operations.



11.15 Direct drive home

Intelligent pathfinding enables the robotic mower to execute a more direct and more efficient drive home to the docking station.

active - Direct drive home is active. The robotic mower travels over the mowing area to the docking station.

inactive - Direct drive home is inactive. The robotic mower travels along the perimeter wire to the docking station.

Teach-in - An internal mapping of the mowing area is created. If there is already a map stored, this is deleted.



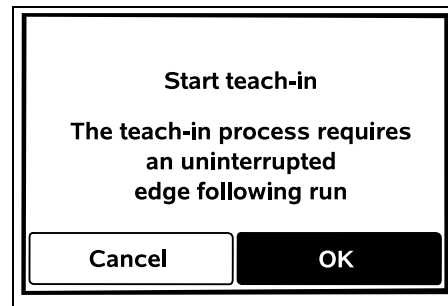
An internal map of the mowing area is created during the teach-in run. The edge following run must be executed without interruption for this.

Prerequisites for mapping of the mowing area:

- The robotic mower must travel the entire length of the perimeter wire without interruption.
- Obstacles and errors in the wire routing result in interruptions. Obstacles must be removed and the wire routing must be corrected if applicable.

Performing mapping of the mowing area:

- Select the "Teach-in" menu item.
- The teach-in process requires an uninterrupted edge following run.



- Remove obstacles along the perimeter wire. Confirm with OK.
- If an internal map is already available, a query is displayed asking whether it should be deleted.
- If confirmed with OK, close the flap. The robotic mower follows the edge. The internal map of the mowing area is created in the background.

If the mowing area is successfully mapped:

- The teach-in process is automatically terminated when the robotic mower docks.
- The message "Teach-in process successful" appears. Direct drive home is active.

If edge following is interrupted:




Edge following is interrupted by hitting obstacles or can be interrupted manually by pressing the Stop button.

Following an interruption, the teach-in process must be started again from the docking station.

- The message "Cancel teach-in - Teach-in failed" appears.
- A query is displayed asking whether the edge following should be cancelled. If the response is No, the robotic mower automatically travels along the perimeter wire to the docking station. The teach-in run must be started again for successful mapping. If the response is Yes, carry the machine to the docking station.
- A query is displayed asking whether the teach-in process should be repeated.
- If the response is Yes, place the robotic mower in the docking station, confirm with OK and close the flap. The teach-in process starts again.



The mowing area map must be created again if the perimeter wire routing is adjusted.

 If the "Test edge" step of initial installation is carried out without interruption, a map of the mowing area is already created automatically in the background.

11.16 Safety

1. Disab. device
2. Level
3. GPS protect.
4. Change PIN code
5. Start signal
6. Menu signal
7. Keylock
8. Link iMOW® and dock

1. Disab. device:

The disabling device is activated with OK; the robotic mower can no longer be operated.

The robotic mower must be disabled prior to any maintenance or cleaning work, prior to transportation and prior to inspection. (⇒ 5.2)

- To deactivate the disabling device, press the illustrated button combination.



2. Level:


Four safety levels can be set; various locks and safety devices are activated, depending on the level.

– None:

The robotic mower is unprotected.



- **Low:**
The PIN request is active; a PIN code must be entered in order to link the robotic mower and docking station, and to reset the machine to the default settings.
- **Medium:**
As "Low", but the time lock is also active.
- **High:**
Entry of a PIN code is always required.

 STIHL recommends that one of the safety levels "Low", "Medium" or "High" be set.

- Select the required level and confirm with OK; enter the 4-digit PIN code if necessary.

PIN request:

If the mower is tilted for longer than 10 seconds, the PIN request appears. If the PIN code is not entered within one minute, an alarm sounds and automatic mowing is switched off.

Connection lock:

PIN code request prior to linking the robotic mower and docking station.

Reset lock:

PIN code request prior to resetting the machine to the factory defaults.

Time lock:

PIN code request for changing a setting if no PIN code has been entered for more than one month.

Setting prot.:

PIN code request when settings are changed.

3. GPS protect.:

For switching position monitoring on and off. (⇒ 5.9)




Recommendation:

Always switch on GPS protection. Before switching on, enter the mobile phone number of the owner in the app (⇒ 10.) and set the safety level "Low", "Medium" or "High" on the robotic mower.

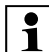
4. Change PIN code:

The 4-digit PIN code can be changed if required.



 The "Change PIN code" menu item is only displayed in the safety levels "Low", "Medium" or "High".

- First enter the old PIN code and confirm with OK.
- Then enter the new 4-digit PIN code and confirm with OK.

 STIHL recommends writing down the new PIN code.

If the PIN code is entered incorrectly five times, a 4-digit **master code** is required, and automatic mowing is also switched off.

To create the master code, contact your STIHL specialist dealer or contact iMOW® Support directly at support@imow.stihl.com. Please provide the 9-digit serial number and the 4-digit date, which are shown on the iMOW® display.

5. Start signal:

For switching on and off the acoustic signal that sounds when the mowing blade is activated.



6. Menu signal:

For switching on and off the acoustic click that sounds when a menu is opened and a selection is confirmed with OK.



7. Keylock:

When the keylock is switched on, the buttons on the display can only be operated if the **Back** button is pressed and held and the control pad is then pressed **forwards**. The keylock is activated 2 minutes after the last button has been pressed.



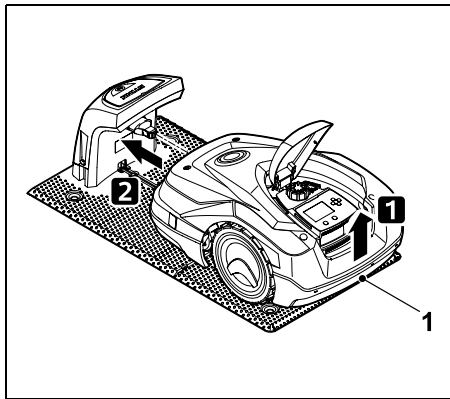
8. Link iMOW® and dock:

Following initial operation, the robotic mower can only be operated in conjunction with the docking station installed.



Following a replacement of the docking station or of electronic components in the robotic mower or for initial operation of the robotic mower on an additional mowing area using a different docking station, the robotic mower and docking station must be linked.

- Install the docking station and connect the perimeter wire. (⇒ 9.8), (⇒ 9.10)



ic mower slightly by the carrying handle (1) to relieve the weight on the drive wheels. Push the machine, resting on its front wheels, into the docking station.

- After pressing the OK button, enter the PIN code. The robotic mower will then search for the wire signal and save it automatically. This process takes several minutes. (⇒ 9.11)



No PIN code is required in the safety level "None".

11.17 Service

1. Blade change:

Installation of a new mowing blade is confirmed with OK. The counter is reset.

2. Find wire break:

If the red LED on the docking station flashes rapidly, there is a break in the perimeter wire. (⇒ 13.1)

- Finding a wire break (⇒ 16.7)

3. Hibernation:

OK places the robotic mower in hibernation. The settings are kept, the time and date are reset.

- Charge the battery fully before hibernation.
- When resuming operation, wake up the machine by pressing any button.

4. Reset settings:

The robotic mower is reset to the factory defaults with OK, the installation assistant is restarted. (⇒ 9.6)

- Enter the PIN code after pressing the OK button.



No PIN code is required in the safety level "None".

11.18 Information

Information		10:32	🔋
🔔	📄	👁️	📊
Messages			
Rain detected	FR 13:52		
Recommendation	SU 15:00		

1. Messages:

List of all active errors, faults and recommendations; shown together with the times of occurrence. During trouble-free operation, the text "No messages" appears. The message details are displayed by pressing the OK button. (⇒ 24.)



2. Events:

List of the last activities of the robotic mower. Details of the events (additional text, time and code) can be displayed by pressing the OK button.



If certain activities occur too frequently, detailed information is available from your specialist dealer. Errors during normal operation are documented in the messages.

3. iMOW® status:

Information on the robotic mower



- Charge state:
Battery charge in percent
- Rem. time:
The remaining mowing duration during the current week in hours and minutes

- Date and time
- Start time:
Start of the next planned mowing operation
- Total number of completed mowing operations
- Mowing hours:
Duration of all completed mowing operations in hours
- Distance:
Total distance covered in metres
- Ser.-No.:
Serial number of the robotic mower. This can also be found on the identification plate (see Machine overview). (⇒ 3.1)
- Battery:
Serial number of the battery
- Software:
Installed machine software

4. Lawn status:

Information on the lawn



- Mowing area in square metres:
This value is entered during initial installation or new installation. (⇒ 9.13)
- Round time:
Duration of one circuit around the mowing area in minutes and seconds
- Starting points 1 – 4:
Distance of the relevant starting point from the docking station in metres, measured in a clockwise direction. (⇒ 11.14)
- Circumference:
Circumference of the mowing area in metres
- Edge mowing:
Frequency of edge mowing per week (⇒ 11.13)

5. Radio module status:

Information on the radio module



- Satellites:
Number of satellites within range
- Position:
Current position of the robotic mower; available if the satellite connection is strong enough
- Signal strength:
Signal strength of the mobile radio connection; the more plus characters shown (max. "++++"), the better the connection.
- Network:
Network ID, comprising country code (MCC) and provider code (MNC)
- Mobile phone number:
Mobile phone number of the owner; is entered in the app. (⇒ 10.)
- IMEI:
Hardware number of the radio module
- IMSI:
International mobile subscriber identity
- SW:
Software version of the radio module
- Ser.-No.:
Serial number of the radio module
- Modem SN:
Serial number of the modem

12. Perimeter wire



Before routing the perimeter wire, particularly prior to initial installation, read the entire section and plan the wire routing in detail.



Perform initial installation using the installation assistant. (⇒ 9.)

Should you require support, your STIHL specialist dealer will be pleased to assist you with preparation of the mowing area and installation of the perimeter wire.

Check the installation of the perimeter wire before it is finally secured in place. (⇒ 9.) Adjustments to the wire routing are generally necessary in the vicinity of corridors, confined areas or no-go areas.

Deviations can occur

- if the technical limits of the robotic mower are reached, for example with very long corridors or when routing the perimeter wire in the vicinity of metal objects or above metal under the lawn (e.g. water pipes and power supply lines),
- if the mowing area is structurally altered for using the robotic mower.

i The wire clearances specified in this instruction manual are adapted to the routing of the perimeter wire on the lawn area.

The perimeter wire can also be buried up to a depth of 10 cm (e.g. using a cable-laying machine).

Burial in the ground generally influences signal reception, particularly if flagstones or paving stones are laid over the perimeter wire. The robotic mower may travel along at a greater offset to the perimeter wire, requiring more space in corridors, confined areas and when travelling along edges. Adapt the wire routing if necessary.

12.1 Planning routing of the perimeter wire

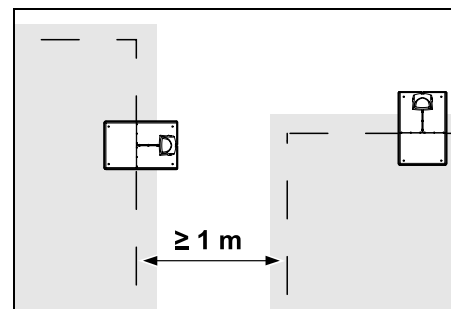
i Study the **installation examples** at the end of this instruction manual. (⇒ 27.)

Include no-go areas, corridors, secondary areas, guide loops and reserve wire during routing of the perimeter wire in order to prevent subsequent corrections.

- Determine the **location of the docking station**. (⇒ 9.1)
- Either remove **obstacles** from the mowing area, or include no-go areas. (⇒ 12.9)
- **Perimeter wire:**
The perimeter wire must be routed in a continuous loop around the entire mowing area.
Maximum length:
500 m

i For small mowing areas with a wire length of less than 80 m, the **AKM 100** supplied must be installed together with the perimeter wire. (⇒ 9.9)

- **Corridors and secondary areas:**
For automatic mowing, join all parts of the mowing area by means of **corridors**. (⇒ 12.11)
If there is insufficient space to do so, **secondary areas** must be installed. (⇒ 12.10)
- Observe the **clearances** when routing the perimeter wire (⇒ 12.5):
for adjoining areas that can be travelled on (stepped area height of less than +/- 1 cm, e.g. paths): **0 cm**
for corridors: **22 cm**
for high obstacles (e.g. walls, trees): **28 cm**
minimum wire clearance in confined areas: **44 cm**
or water features and potential sudden drops (edges, steps): **100 cm**
- **Corners:**
Avoid routing at acute angles (less than 90°).
- **Guide loops:**
If offset drive home (passage) is to be used, guide loops must be installed for corridors or for the external docking station. (⇒ 12.12)
- **Reserve wire:**
Reserve wire should be installed at several points to make it easier to subsequently change the routing of the perimeter wire. (⇒ 12.15)



Mowing areas must not overlap. Maintain a minimum clearance of **≥ 1 m** between the perimeter wires of two mowing areas.

i Coiled up residual pieces of perimeter wire can cause malfunctions and must be removed.

12.2 Making a sketch of the mowing area



During installation of the robotic mower and docking station, it is recommended to make a sketch of the mowing area. A page has been provided at the start of this instruction manual for this purpose.

The sketch should be modified in the event of subsequent changes.

Content of the sketch:

- **Contour of the mowing area** including important obstacles, borders and any no-go areas which the robotic mower must not mow. (⇒ 27.)
- Position of the **docking station** (⇒ 9.8)
- Position of the **perimeter wire**
After a short while, the perimeter wire is overgrown and is no longer visible. Make a note of the routing of the wire around obstacles in particular. (⇒ 9.9)

- Position of the **wire connectors**
After a short while, the wire connectors used are no longer visible. Their position should be noted in order to replace them as required. (⇒ 12.16)

12.3 Routing the perimeter wire

i Only use genuine fixing pins and genuine perimeter wire. **Installation kits** with the necessary installation material are available as an accessory from the STIHL specialist dealer. (⇒ 18.)

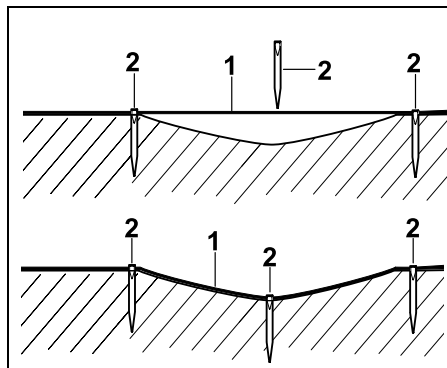
The routing direction (clockwise or counterclockwise) is freely selectable according to requirements.

Never pull out fixing pins using the perimeter wire – always use a suitable tool (e.g. universal pliers).

Make a sketch of the perimeter wire routing. (⇒ 12.2)



- Install the docking station. (⇒ 9.8)
- Route the perimeter wire around the mowing area and any obstacles beginning at the docking station (⇒ 12.9) and fasten it to the ground using fixing pins. Check the clearances using the iMOW® Ruler. (⇒ 12.5) Follow the instructions in the "Initial installation" section. (⇒ 9.9)
- Connect the perimeter wire. (⇒ 9.10)

i Note:
Avoid excessive tensile stress on the perimeter wire to prevent wire breaks. In particular when using a wire routing machine, make sure that the perimeter wire unwinds loosely from the spool.

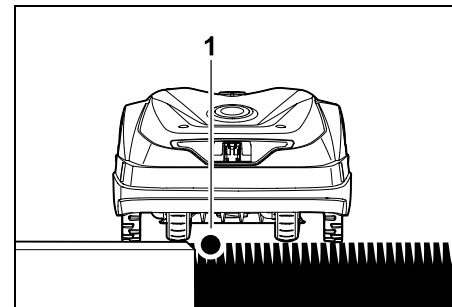


The perimeter wire (1) is routed above ground and attached with additional fixing pins (2) in case of unevenness. This prevents the wire being cut by the mowing blade.

12.4 Connecting the perimeter wire

- Disconnect the mains plug and then remove the docking station cover. 
- Insert the perimeter wire into the cable guides of the floor plate, guide it through the socket, strip the ends and connect to the docking station. Follow the instructions in the "Initial installation" section. (⇒ 9.10)
- Install the docking station cover and then connect the mains plug. 
- Check the wire signal. (⇒ 9.11)
- Check docking. (⇒ 15.6)
If necessary, correct the position of the perimeter wire in the area of the docking station.

12.5 Wire clearances – use iMOW® Ruler

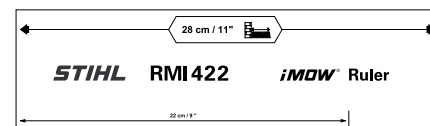


The perimeter wire (1) can be routed **without clearance** along obstacles that can be travelled on such as patios and paths. The robotic mower then travels with one rear wheel outside the mowing area. Maximum stepped area to the turf: **+/- 1 cm**

i Take care not to damage the perimeter wire when tending to the lawn edge. If necessary, install the perimeter wire at a slight distance (28 cm) from the lawn edge.

Measuring wire clearances with the iMOW® Ruler:

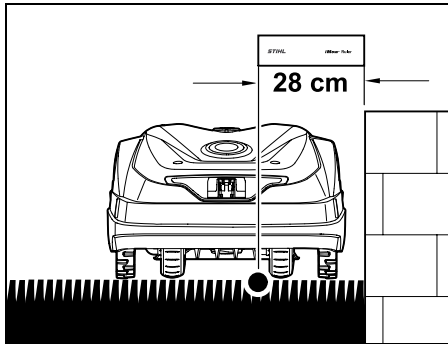
To ensure the correct clearance from the perimeter wire to the edge of the lawn and to obstacles, the iMOW® Ruler should be used for measuring the distances.



High obstacle:

Clearance between a high obstacle and the perimeter wire.

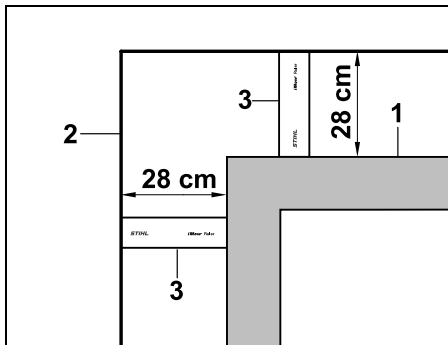




The robotic mower must run completely within the mowing area and must not touch the obstacle.

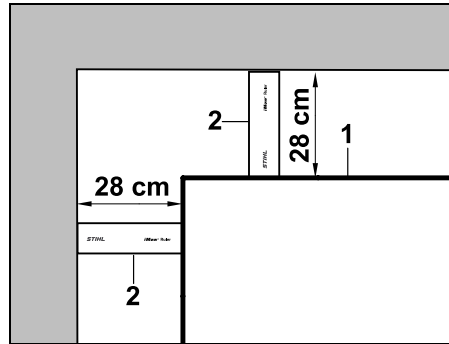
Through the clearance of 28 cm, the robotic mower travels along the perimeter wire without bumping into the obstacle in the corner around a high obstacle.

Wire routing around high obstacles:



When routing around high obstacles (1) such as wall corners or high flowerbeds, the wire clearance must be maintained at the corners to prevent the robotic mower from scraping against the obstacle. Route the perimeter wire (2) with the aid of the iMOW® Ruler (3) as illustrated.

Wire clearance: 28 cm

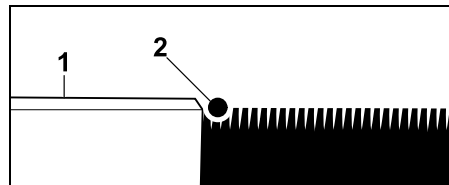


When routing the perimeter wire (1) at an internal corner at a high obstacle, measure the wire clearance with the iMOW® Ruler (2).

Wire clearance: 28 cm

Measuring the height of obstacles:

The robotic mower can cross adjoining areas such as paths if the height of the stepped area is less than +/- 1 cm.

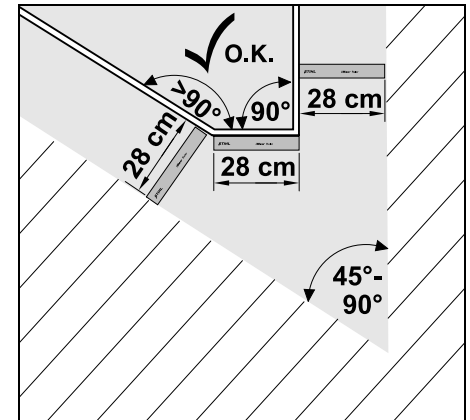


Height difference to obstacle that can be travelled on (1) is less than +/- 1 cm: route the perimeter wire (2) without clearance to the obstacle.

i If necessary, set the cutting height so that the mowing deck of the robotic mower does not hit the obstacles.

If the lowest cutting height is set, the robotic mower can consequently only clear lower stepped areas than specified.

12.6 Acute corners



The perimeter wire is routed as illustrated in acutely angled lawn corners (45° - 90°). The two angles must have a clearance of at least 28 cm so that the robotic mower can follow the edge.

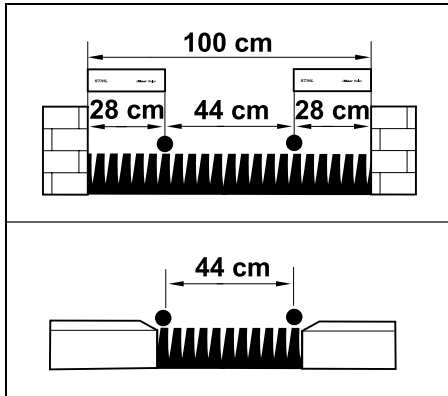
Corners smaller than 45° should not be included in the wire routing.

12.7 Confined areas

i If confined areas are to be installed, switch off offset drive home (passage) (⇒ 11.13) or install guide loops. (⇒ 12.12)

The robotic mower travels automatically in all confined areas, provided the minimum wire clearance is maintained. Narrower areas of the mowing area must be blocked off through appropriate routing of the perimeter wire.

If two mowing areas are linked via a narrow passage that can be travelled on, a corridor can be installed. (⇒ 12.11)



The minimum wire clearance is **44 cm**.

This results in the following space requirements in **confined areas**:

- between high obstacles with a height +/- 1 cm, such as walls **100 cm**,
- between adjoining areas that can be travelled on with a stepped area height of less than +/- 1 cm, such as paths **44 cm**.

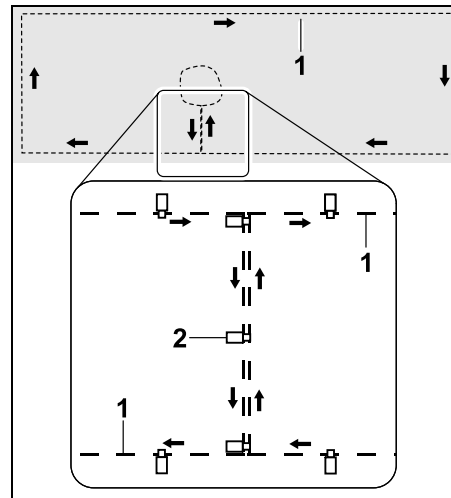
12.8 Installing linking sections

The robotic mower ignores the perimeter wire signal if the wires are routed parallel and close together. Linking sections must be installed

- where secondary areas are to be installed. (⇒ 12.10)
- where no-go areas are necessary. (⇒ 12.9)

i STIHL recommends laying linking sections together with the relevant no-go areas or secondary areas during wire routing.

In the case of retrospective installation, the wire loop must be cut and linking sections must then be integrated using the wire connectors supplied. (⇒ 12.16)



In linking sections, the perimeter wire (1) must be routed parallel, the wires must not cross and must be close to one another. Attach the linking section to the ground with a sufficient number of fixing pins (2).

12.9 No-go areas

No-go areas have to be installed

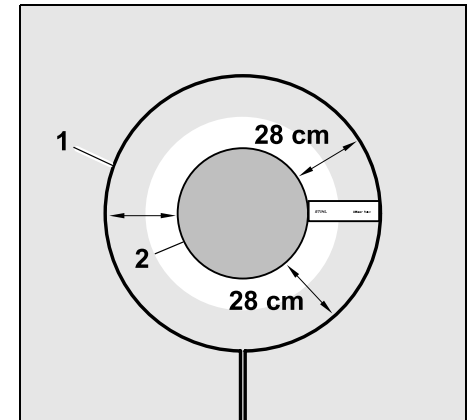
- around obstacles that the robotic mower must not touch,
- around obstacles that are not sufficiently sturdy,

- around obstacles that are too low. Minimum height: 8 cm

STIHL recommends

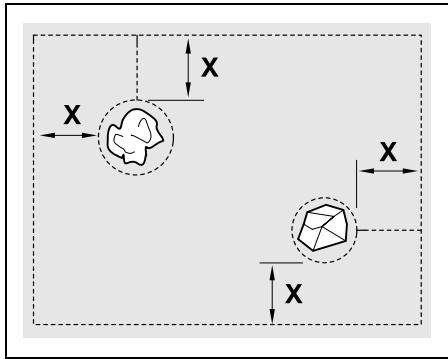
- blocking off obstacles by means of no-go areas or removing them,
- checking no-go areas after initial installation or after changes to the wire installation using the "Test edge" command. (⇒ 11.13)

Clearance for routing the perimeter wire around a no-go area: **28 cm**



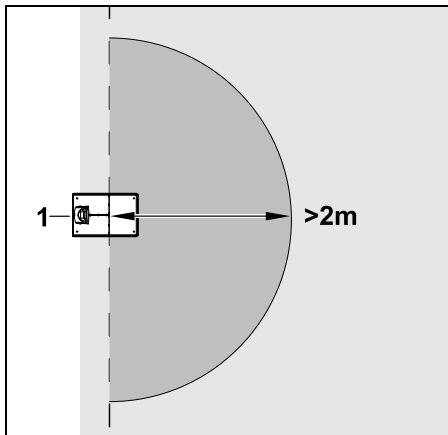
The robotic mower travels along the perimeter wire (1) around the obstacle (2) without bumping into it.

To guarantee robust operation, no-go areas should be more or less round and not oval, angular or inwardly curved.

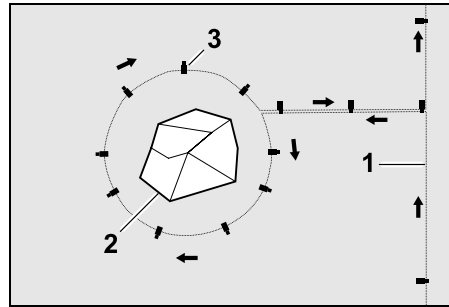


No-go areas must have a **minimum diameter** of 56 cm.
The **clearance to the edge loop (X)** must be greater than 44 cm.

i Recommendation:
No-go areas should have a maximum diameter of 2 - 3 m.



In order for docking to take place smoothly, no no-go area must be installed within a radius of at least **2 m** around the docking station (1).

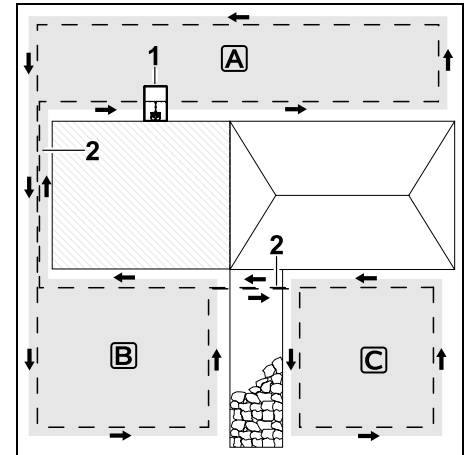


Route the perimeter wire (1) from the edge to the obstacle with the correct clearance around the obstacle (2) and attach it to the ground with a sufficient number of fixing pins (3). Then route the perimeter wire back to the edge again.

The perimeter wire must be routed **parallel** in a linking section. It is important to observe the routing direction around the no-go area (⇒ 12.8)

12.10 Secondary areas

Secondary areas are parts of the mowing area that cannot be mown **fully automatically** by the robotic mower because access is not possible. In this manner, several separate mowing areas can be surrounded with a single perimeter wire. The robotic mower must be manually taken from one mowing area to another. The mowing operation is initiated via the "Start" menu (⇒ 11.5).



The docking station (1) is installed in the mowing area **A**, which is cut fully automatically in accordance with the mowing plan.

The secondary areas **B** and **C** are connected to the mowing area **A** via the linking sections (2). The perimeter wire must be routed in the same direction in all areas – do not cross perimeter wires in the linking areas.

- Activate secondary areas in the "More – Settings – Installation" menu. (⇒ 11.13)

12.11 Corridors

If several mowing areas have to be mown (e.g. mowing areas in front of and behind the house), these can be linked by installing a corridor. This allows all the mowing areas to be mown **automatically**.

i In corridors, the lawn is only mown along the path of the perimeter wire. If necessary, activate automatic edge mowing or mow the corridor area manually on a regular basis. (⇒ 11.13)

If corridors are to be installed, switch off offset drive home (passage) (⇒ 11.13) or install guide loops. (⇒ 12.12)

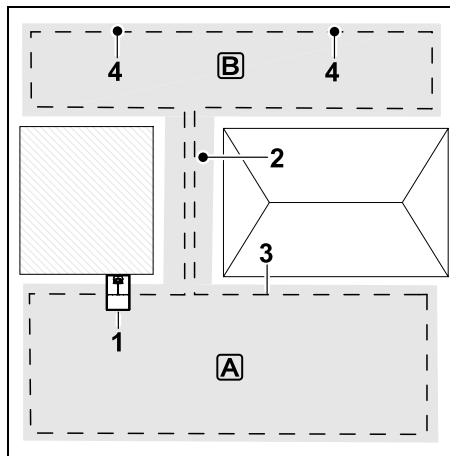
The specified wire clearances and the corridor template are adapted to the routing of the perimeter wire on the lawn area. The dimensions will deviate if the perimeter wire is routed very deeply, e.g. under stone paving. Check the function and adapt the wire routing if necessary.

Requirements:

- **Minimum width** is 88 cm between solid obstacles in the corridor area and 22 cm between paths that can be travelled on.

i In longer corridors, a slightly increased space requirement should be taken into account depending on the ground conditions. Longer corridors should always be installed as centrally as possible between obstacles.

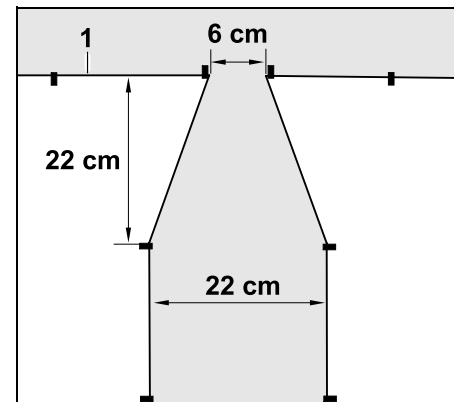
- The corridor can be travelled on freely.
- At least 1 **starting point** must be defined in the area of the second mowing area. (⇒ 11.14)



The docking station (1) is installed in mowing area **A**. Mowing area **B** is linked to mowing area **A** by means of a corridor (2). The perimeter wire (3) can be continuously followed by the robotic mower. In order to mow mowing area **B**, starting points (4) must be defined. (⇒ 11.14)

Individual mowing operations can then be started at the starting points, depending on the setting (starting frequency).

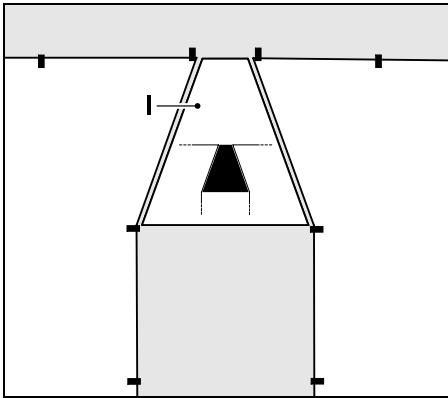
Installing the start and end of the corridor:



The perimeter wire (1) must be routed in a funnel shape as illustrated at the start and end of a corridor. This prevents the robotic mower from accidentally driving into the corridor during mowing.

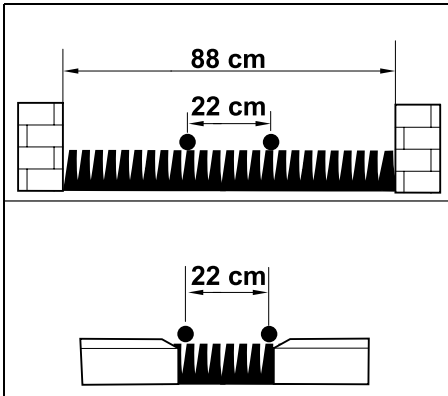
i The dimensions are very much dependent on the environment and the terrain. For corridors with a funnel-shaped start or end, always check whether the robotic mower can pass through it.

Route the perimeter wire roughly one device length to the left and right of the corridor entrance.



Use the corridor template supplied (I) for installing the funnel-shaped entrance and exit areas.

Installing the corridor:

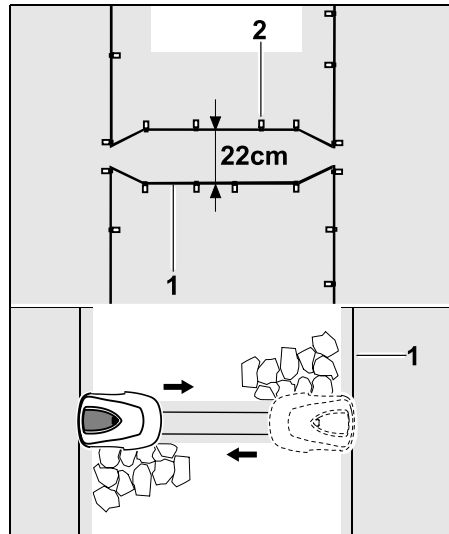


Wire clearance in corridors: **22 cm**

This results in the following space requirements:

- between high obstacles (over 1 cm in height – e.g. walls):
88 cm,

- between paths/obstacles that can be travelled on (less than 1 cm in height – e.g. paths):
22 cm.



In corridors, the perimeter wire (1) must be routed parallel and attached to the ground with a sufficient number of fixing pins (2). At the start and end of the corridor, funnel-shaped entrance and exit areas must be installed.

12.12 Guide loops for offset drive home

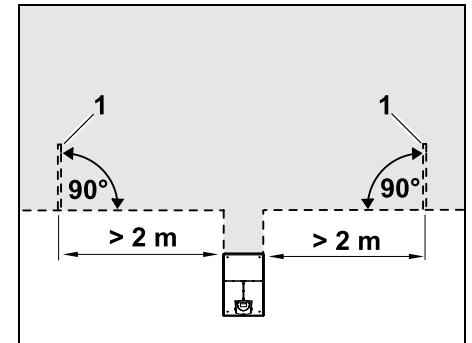
If offset drive home is activated, guide loops must be provided

- if an external docking station has been installed
- or
- if there are corridors or confined areas in the mowing area.

Function:

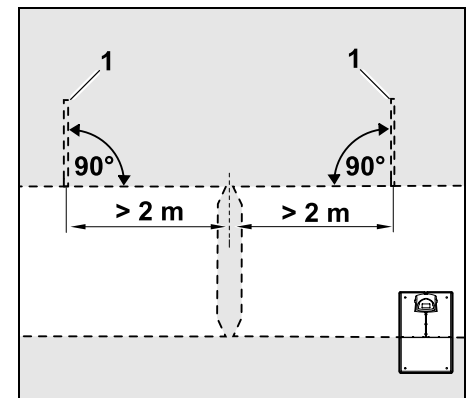
When the robotic mower follows the perimeter wire offset at a distance, it crosses one of these guide loops during the drive home. It then travels to the perimeter wire and on to the docking station.

Guide loops with an external docking station:



To the right and left of the access to the external docking station, two guide loops (1) have to be installed at an angle of 90° to the perimeter wire. Minimum clearance to access: **2 m**

Guide loops with corridors:



To the right and left of the corridor access, two guide loops (1) have to be installed at an angle of 90° to the perimeter wire.

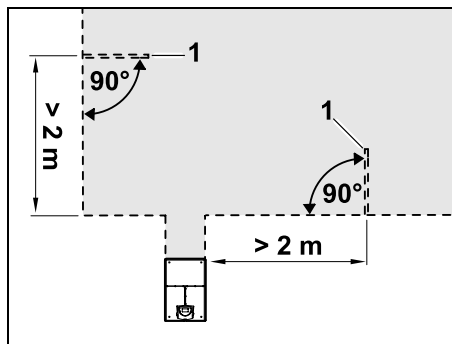
These must always be located in the part of the mowing area that can only be accessed via a corridor.

Minimum clearance to corridor access:

2 m

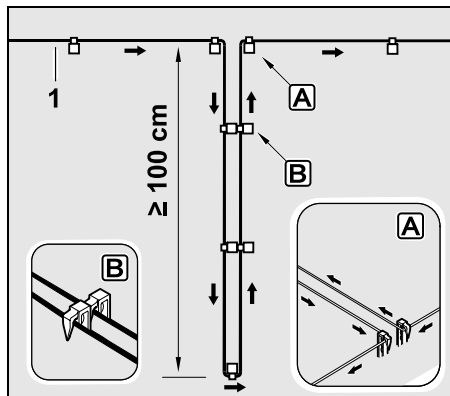
i If several consecutive corridors are installed, guide loops must be installed in each of the relevant mowing areas.

Installation of a guide loop:



Guide loops must not be installed in the vicinity of corners.

Minimum clearance to corners: **2 m**



Install the guide loop in the mowing area as shown. The perimeter wire (1) must be fastened to the ground with two fixing pins at the edge **A** and must not be crossed.

Minimum length: **100 cm**

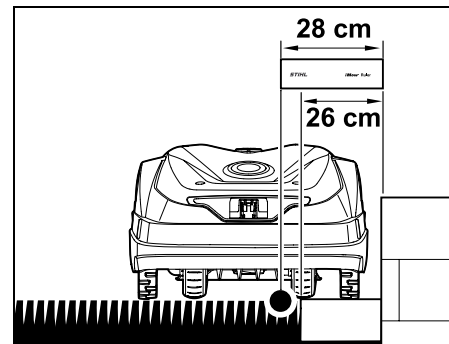
Wire routing pin to pin **B**

- Attach the guide loop to the ground with a sufficient number of fixing pins.

12.13 Accurate mowing along edges

i A strip with a width of up to 26 cm is left unmown along high obstacles. If necessary, edging stones can be laid around high obstacles.

Minimum width of edging stones:



Route the perimeter wire at a clearance of 28 cm to the obstacle. To ensure that the lawn edge is mown completely, the edging stones must have a width of at least 26 cm. If wider edging stones are laid, the lawn edge is cut even more precisely.

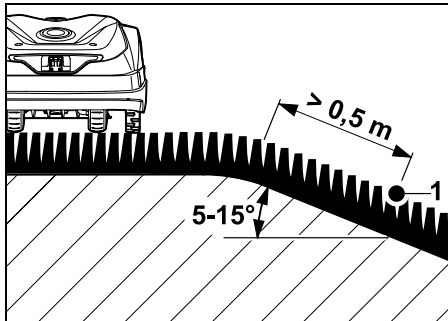
12.14 Sloping terrain along the perimeter wire

i **Note:** For a robust installation, it is recommended to route the perimeter wire on a maximum slope of 10° (17 %). The wire can be routed on a slope of 15° (27 %), however this can significantly increase the effort and level of adjustment involved in routing the wire. Slopes should also always be noted in garden sketches.

In order for the robotic mower to automatically mow a slope in the mowing area (incline up to 15°) without any trouble, the perimeter wire must be installed in the slope with a minimum clearance to the edge of the incline.

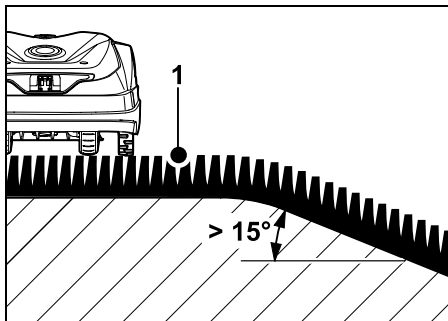
A clearance of at least **100 cm** must be observed for water features and sudden drops like edges and steps.

Slope with an incline of 5° - 15°:



If there is a slope with an incline of 5° - 15° in the mowing area, the perimeter wire can be routed below the top edge of the slope in the slope as illustrated. The minimum clearance (0,5 m) from the top edge of the slope to the perimeter wire must be taken into account for trouble-free operation of the robotic mower.

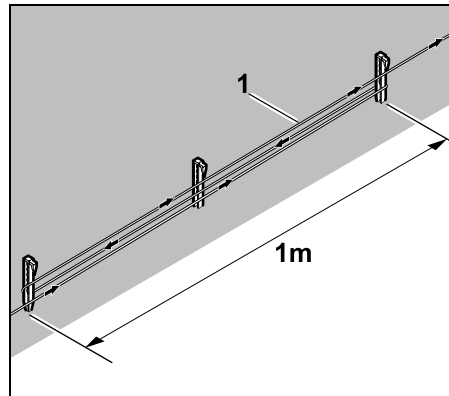
Slope with an incline > 15°:



If there is a slope with an incline > 15° on which a perimeter wire is to be installed in the mowing area, it is recommended that the perimeter wire (1) be routed in the flat area before the top edge of the slope. The top edge and area of the slope are not mown.

12.15 Installing reserve wire

Reserve wire installed at regular intervals makes it easier to make any necessary corrections such as subsequently changing the position of the docking station or the routing of the perimeter wire. In particular, reserve wire should be installed near difficult passages.

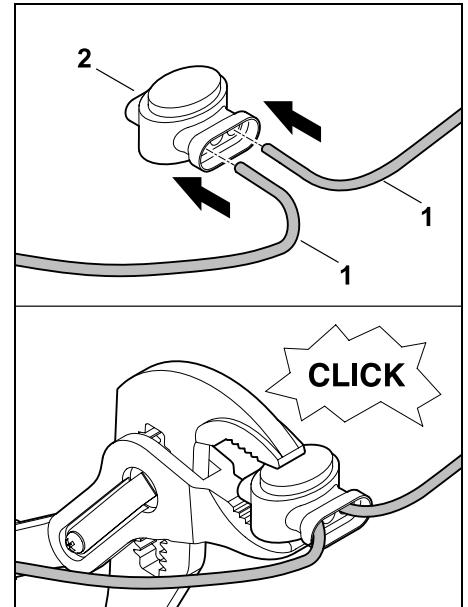


Route perimeter wire (1) as illustrated between 2 fixing pins spaced approx. 1 m apart. Attach the reserve wire to the ground in the centre using a further fixing pin.

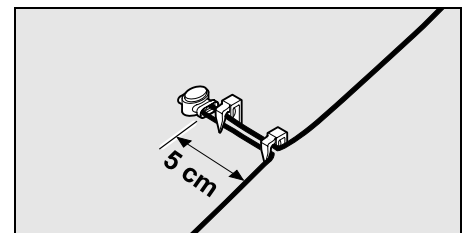
12.16 Using wire connectors

In order to extend the perimeter wire or to connect loose wire ends, only the gel-filled wire connectors available as accessories may be used. They prevent premature wear (e.g. corrosion of the wire ends) and ensure optimal connections.

Make a note of the positions of the wire connectors on the sketch of the mowing area. (⇒ 12.2)



Insert loose, unstripped wire ends (1) to the stop in the wire connector (2). Press the wire connector together using suitable pliers – ensure correct engagement.



Attach the perimeter wire strain relief to the ground with two fixing pins as illustrated.

12.17 Narrow edge clearances

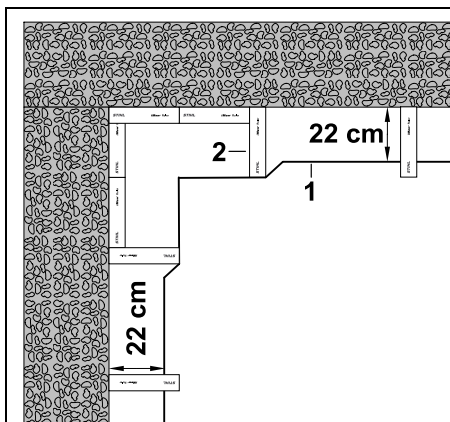
It is possible to reduce the wire clearance to a high obstacle to **22 cm** on a straight section (not at corners). This will result in a

larger mown area.
Sufficient clearance (at least 5 cm) between the robotic mower and obstacles must be ensured for edge following (⇒ 9.12), (⇒ 11.13). If necessary, increase the wire clearance to the obstacles.



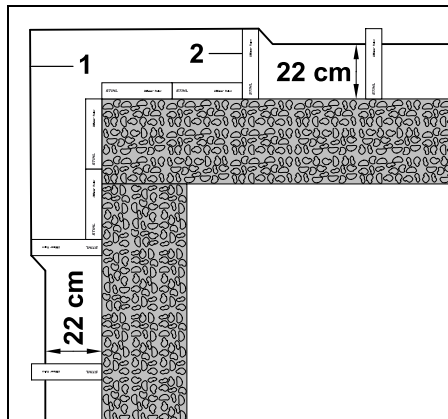
Narrow edge clearances should always be noted in the garden sketch. (⇒ 12.2)

Narrow edge clearances at the internal corner:



Route the perimeter wire (1) as illustrated at the internal corner. Use the iMOW® Ruler (2).

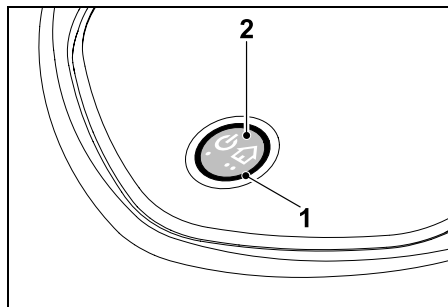
Narrow edge clearances at the external corner:



Route the perimeter wire (1) as illustrated at the external corner. Use the iMOW® Ruler (2).

13. Docking station

13.1 Docking station controls



A circular red LED (1) provides information on the status of the docking station and the wire signal.

Function button (2):

- Switching docking station on and off
- Activating Homecall
- Activating find wire break

LED does not illuminate:

- Docking station and wire signal are switched off.

LED illuminates continuously:

- Docking station and wire signal are switched on.
- Robotic mower is not docked.

LED flashes slowly (2 seconds on – briefly off):

- Robotic mower is docked, battery is charging if required.
- Docking station and wire signal are switched on.

LED flashes rapidly:

- Perimeter wire is interrupted – wire break or wire is not correctly connected to the docking station. (⇒ 16.6)

LED illuminates for 3 seconds, followed by 1 second pause:

- Homecall was activated.

LED gives 3 short flashes, 3 long flashes, 3 short flashes, followed by approx. 5 second pause (SOS signal):

- Error in the docking station.

Switching the docking station on and off:



The docking station is switched on and off automatically during automatic operation.

If the robotic mower is not docked, **briefly pressing the button** activates the docking station. The wire signal remains active for 48 hours if the robotic mower has not previously docked.

Pressing the button for **2 seconds** switches off the docking station.

Activating Homecall:

Briefly press the button twice within 2 seconds during a mowing operation.



The robotic mower ends the running mowing operation, searches for the perimeter wire and returns to the docking station to recharge the battery. No further mowing operation takes place in the current active time.



Homecall remains active until the robotic mower is docked. Homecall can also be ended by pressing the button on the docking station twice again.

14. Notes on mowing

14.1 General

The robotic mower is designed for the automatic mowing of lawns. The grass is kept short through continuous mowing. The result is a perfect, thick lawn.

Lawns that have not previously been mown using a conventional lawn mower will only be mown neatly following several mowing operations. Especially in the case of high grass, a good cutting pattern is only achieved after a few mowing operations.

In hot, dry conditions, the lawn should not be kept too short as it will otherwise be burnt by the sun and become unsightly.

The cutting pattern will be better with a sharp blade than with a blunt one; the blade should therefore be replaced regularly.

14.2 Mulching

The robotic mower is a mulching mower.

During mulching, the grass clippings are further shredded in the mowing deck housing after cutting. They then fall back into the turf, where they remain and decompose.

The finely shredded clippings return organic nutrients to the lawn, serving as a natural fertiliser. Fertiliser requirements are thereby reduced significantly.

14.3 Active times

In the mow plan type "Standard", the robotic mower mows throughout the entire active time, only interrupted by charging operations.

In the mow plan type "Dynamic", the robotic mower is allowed to leave the docking station at any time during the active times and mow the lawn. During these times, **mowing operations, charging operations and rest periods** take place. The robotic mower automatically distributes the mowing and charging operations between the available time windows.

During installation, active times are automatically distributed over the entire week. Time reserves are taken into account – this ensures perfect lawn care, even if individual mowing operations cannot take place, (e.g. due to rain).



During the active times, third parties must keep out of the danger area. The active times should be adapted accordingly.

Moreover, the applicable local regulations on the use of robotic mowers as well as the information in the "For your safety" section (⇒ 6.1) must be observed and the active times changed accordingly in the "Mowing plan" menu as required. (⇒ 11.7)

In particular, you should check the times of the day and night at which it is permissible to use the machine with the responsible authorities.

14.4 Mowing duration

The mowing duration specifies how many hours per week the lawn is to be mown. It can be extended or reduced. (⇒ 11.7)

The mowing duration corresponds to the time during which the robotic mower mows the lawn. Times during which the battery is charged are not part of the mowing duration.

During initial installation, the robotic mower automatically calculates the mowing duration based on the specified size of the mowing area. This reference value is based on a normal lawn under dry conditions.

Mowing performance:

For 100 m², the robotic mower needs on average 100 minutes.

14.5 Home area

The robotic mower identifies its location using the built-in GPS receiver. During each edge following run to check the correct wire routing (⇒ 9.12) and when learning the starting points (⇒ 11.14), the robotic mower stores the coordinates of the most westerly, easterly, southerly and northerly point.

This area is defined as the home area and the robotic mower can be used here. The coordinates are updated each time edge following is repeated.

When **GPS protection** is activated, the owner of the machine is notified if the machine is operated outside the home area. The PIN code is also requested on the robotic mower display.

15. Operating the machine

15.1 Preparation

i An installation assistant is available for **initial installation**. (⇒ 9.)

i The robotic mower should be charged and operated at an ambient temperature between +5°C and +40°C.

- Install the docking station (⇒ 9.8)
- Route (⇒ 9.9) and connect (⇒ 9.10) the perimeter wire
- Remove foreign bodies (e.g. toys, tools) from the mowing area
- Charge the battery (⇒ 15.7)
- Set the time and date (⇒ 11.10)

- Check the mowing plan and adapt if necessary – in particular it must be ensured that third parties keep away from the danger area during active times. (⇒ 11.7)

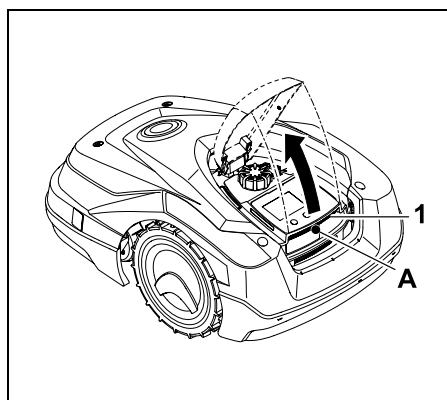
i Cut very high grass short using a conventional lawn mower prior to use of the robotic mower (e.g. following a lengthy break).

15.2 Flap

The robotic mower is equipped with a flap which protects the display from the weather and from inadvertent operation. If the flap is opened during use of the robotic mower, operation is stopped and the mowing blade and robotic mower come to a standstill.

Opening the flap:

i For safety reasons, the Stop button must be pressed before opening the flap during operation of the robotic mower.



Grasp the flap (1) at the lifting point (A) and release upwards by pulling lightly. Open the flap as far as the stop.

i The opened flap can be removed upwards from the machine. This design is implemented for safety reasons: this ensures that the machine cannot be lifted and carried by the flap.

Closing the flap:

Carefully fold the flap downwards and allow to engage.

i The robotic mower can only be operated when the flap is fully engaged.

15.3 Adapting the programming

The current programming can be seen in the **mowing plan** or in the **iMOW® app**. (⇒ 11.7)

The mowing plan is calculated based on the size of the mowing area during installation or during the creation of a new mowing plan.

The **active times** and the **mowing duration** can be changed individually. With the mow plan type **Standard** the robotic mower mows and charges precisely within the active times, with the mow plan type **Dynamic** the necessary mowing operations are automatically distributed over the possible active times. If required, several mowing or charging operations can run during an active time. If required, the edge of the mowing area can be cut automatically at regular intervals. (⇒ 11.13)

Up to three different active times per day are possible. (⇒ 14.3)

If the robotic mower has to travel to specific areas of the mowing area, starting points must be defined. (⇒ 11.14)

i If the mow plan type **Dynamic** is selected, not all the active times may be necessary for optimal lawn care under certain circumstances (e.g. warm weather or generous time window).

Changing the **active times**: (⇒ 11.7)

- Additional active times for further mowing operations.
- Adapting the time window, e.g. to prevent mowing during the morning or night.
- Omitting individual active times because the mowing area is e.g. being used for a party.

Extending the **mowing duration**: (⇒ 11.7)

- There are areas which are not mown sufficiently, e.g. because the mowing area has many corners.
- Intensive grass growth during the growing period.
- Particularly dense lawn.

Reducing the **mowing duration**: (⇒ 11.7)

- Reduced grass growth due to heat, cold or dryness.

Creation of a **new mowing plan**: (⇒ 11.7)

- The size of the mowing area has been changed.

New installation: (⇒ 11.13)

- New location of the docking station.
- Initial operation on a new mowing area

15.4 Automatic mowing

- **Switching on automatic mowing:**
When automatic mowing is switched on, the Automatic symbol appears next to the battery symbol in the display. (⇒ 11.7)
- **Starting mowing operation:**
With the mow plan type **Standard**, the robotic mower sets off at the beginning of each active time and mows the lawn. With the mow plan type **Dynamic**, the mowing operations are automatically distributed between the available active times. (⇒ 14.3)
- **Ending mowing operation:**
When the battery is discharged, the robotic mower automatically travels back to the docking station. (⇒ 15.6) A running mowing operation can be ended manually at any time using the **STOP button** or the **"Drive home"** menu. (⇒ 5.1)
Activating **Homecall** on the docking station also ends the running mowing operation immediately. (⇒ 13.1) The mowing operation can also be ended using the app – send the robotic mower to the docking station. (⇒ 10.)

i Mowing areas that the robotic mower reaches via a **corridor** are only mown if starting points have been defined in the relevant area.



15.5 Mowing independently of active times

- Activate the docked robotic mower by pressing a button. This also switches on the docking station.

Mowing areas with docking station:

- **Immediate mowing:**
Call up the **Start mowing** command (⇒ 11.5).
The mowing operation starts immediately and continues until the selected time. A starting point can be selected, if available.
- **Start mowing using the app.** (⇒ 10.)
The mowing operation starts at the selected start time and continues until the selected end time. A starting point can be selected, if available.
- **Ending mowing manually:**
A running mowing operation can be ended at any time using the **STOP button** or the "Drive home" menu (⇒ 11.6). (⇒ 5.1)
Activating **Homecall** on the docking station also ends the running mowing operation immediately. (⇒ 13.1)
The mowing operation can also be ended using the app – send the robotic mower to the docking station. (⇒ 10.)

i If necessary, the robotic mower charges the battery in the interim and then continues the mowing operation until the selected end time.

Secondary areas:

- Activate the robotic mower upright in the docking station. This also activates the docking station.
- Carry the robotic mower to the secondary area.
- Activate the secondary area. (⇒ 12.10)

- Immediate mowing:
Call up the **Start mowing** command (⇒ 11.5).
The mowing operation starts immediately and continues until the selected time.
- Ending mowing:
When the selected end time is reached, the robotic mower travels to the perimeter wire and comes to a standstill. Return the machine to the docking station to recharge the battery and confirm the displayed message. (⇒ 24.)
A running mowing operation can be ended manually at any time using the **STOP button**. (⇒ 5.1)



i If the battery runs flat before the selected end time, the mowing operation is shortened accordingly.

15.6 Docking the robotic mower

Docking during automatic operation:

The robotic mower automatically travels to the docking station when the active time ends or when the battery is discharged.

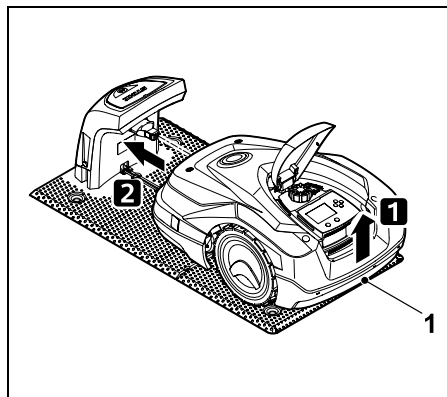
Forcing docking:

- If necessary, switch on the docking station (⇒ 13.1) 
- Activate drive home. (⇒ 11.6)
During a mowing operation, **Homecall** can also be activated on the docking station. 
- The robotic mower can also be sent to the docking station using the app. (⇒ 10.)

i After docking, no further mowing operation takes place in the current active time.


Manual docking:

- Push the robotic mower into the docking station by hand.



Lift the robotic mower slightly by the carrying handle (1) to relieve the weight on the drive wheels. Push the machine, resting on its front wheels, into the docking station.

15.7 Charging the battery

-  Only charge the battery via the docking station.
Never remove the battery and charge it using an external charger.

Automatic charging:


During **mowing**, charging occurs automatically when the robotic mower docks into the docking station at the end of the mowing operation.


Starting charging manually:

- Following use **in secondary areas**, return the robotic mower to the mowing area and dock it. (⇒ 15.6)

- Dock the robotic mower following **interruption of a mowing operation**. (⇒ 15.6)
- If necessary, end standby mode of the robotic mower by pressing a button.
Charging starts automatically.

Charging:

During charging, the text "Charging battery" is displayed in the **status screen**. 


A plug symbol appears instead of the battery symbol in the information area of the display in all the other menus. 


The charging time varies and is automatically adapted to the subsequent period of use.

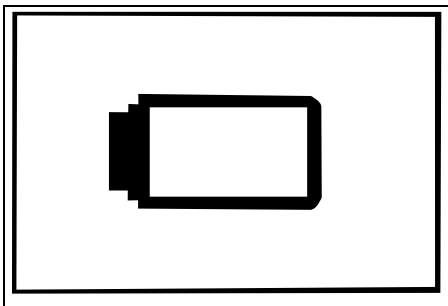
i In the event of charging problems, a corresponding message appears on the display. (⇒ 24.)

The battery is only charged when the voltage falls below a certain value.

Charge state:

The momentary charge state can be seen in the **status screen** when the relevant display is selected. (⇒ 11.12) 

In all other menus, the **battery symbol** in the information area of the display serves to indicate the charge state. (⇒ 11.3) 



If the battery charge is too low, the corresponding battery symbol appears. In this case, place the robotic mower in the docking station to recharge.

16. Maintenance



Risk of injury!

Carefully read the section "For your safety" (⇒ 6.), particularly the subsection "Maintenance and repairs" (⇒ 6.9), and follow all safety instructions exactly before performing any maintenance or cleaning operations on the machine.

Activate the disabling device prior to any maintenance or cleaning work. (⇒ 5.2)



Disconnect the mains plug before performing any maintenance operations on the docking station.



Always wear gloves when carrying out any maintenance work, particularly when working on the mowing blade.



16.1 Maintenance schedule

The maintenance intervals are based on the operating hours among other factors. The relevant "Mowing hours" counter can be called up in the "More - Information" menu. (⇒ 11.18)

The specified maintenance intervals must be strictly observed.

Maintenance operations on days with active times:

- Visually inspect the general condition of the machine and the docking station.
- Check the display – check the current time and the start of the next mowing operation.
- Check the mowing area and remove foreign bodies, etc. as required.
- Check that the battery is being charged. (⇒ 15.7)

Weekly maintenance operations:

- Clean the machine. (⇒ 16.2)
- Visually inspect the mowing blade, blade fastening and mowing deck for damage (notches, cracks, fractures, etc.) and wear. (⇒ 16.3)

Every 200 hours:

- Replace the mowing blade. (⇒ 16.3)

Annual maintenance operations:

- STIHL recommends an annual inspection by a STIHL specialist dealer during the winter months. Here, maintenance of the battery, electronics and software in particular is performed.



In order for your specialist dealer to perform all the maintenance operations correctly, set the safety level to "None" or give your specialist dealer the appropriate PIN code.

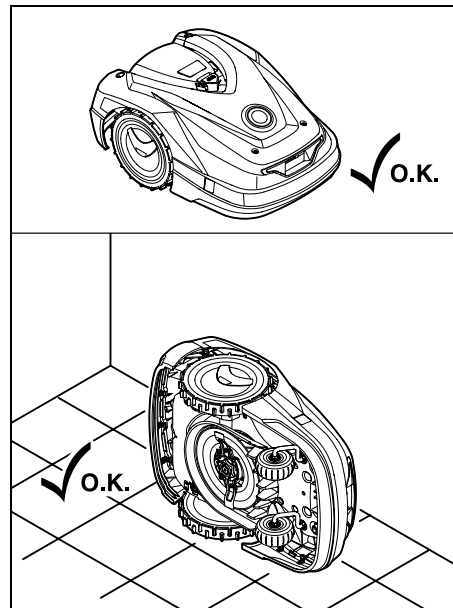
16.2 Cleaning the machine

Treating the machine carefully will protect it against damage and extend its service life.

Cleaning and maintenance position:



Make sure that the rotary knob is properly installed before cleaning as otherwise water can get into the machine.



Place the machine on a firm, level and flat surface for cleaning the **top of the machine** (hood, flap). To clean the

underside of the machine (mowing blade, mowing deck), tilt the robotic mower onto its left or right side as illustrated and lean it against a wall.

- Clean off dirt with a brush or a cloth. In particular, clean the mower blade, the charging contacts of the robotic mower and the docking station.
- Remove accumulated clipping deposits in the housing and in the mowing deck beforehand using a stick.
- If necessary, use a special cleaner (e.g. STIHL special cleaner).
- Regularly remove the carrier plate and remove grass residues. (⇒ 16.6)

i The carrier plate must be cleaned frequently in wet weather. Dirt deposits between the carrier plate and the mowing deck housing create friction, leading to increased power consumption.

16.3 Checking the mowing blade wear limits

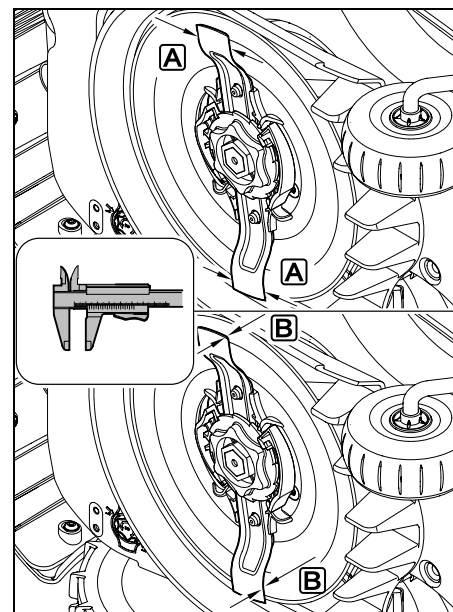


Risk of injury!

A worn mowing blade may break off and cause serious injuries. The instructions for blade maintenance must therefore always be observed. Mowing blades are subject to differing degrees of wear depending on the location and duration of use. If you use the machine on sandy ground or use it frequently under dry conditions, the mowing blade will be subjected to greater loads and will wear more quickly than normal.

Replace the mowing blade at least every 200 operating hours – do not resharpen. (⇒ 16.5)

- Activate the disabling device. (⇒ 5.2)
- Tilt the robotic mower onto its side and lean it securely against a stable wall. Carefully clean the mowing deck and mowing blade. (⇒ 16.2)



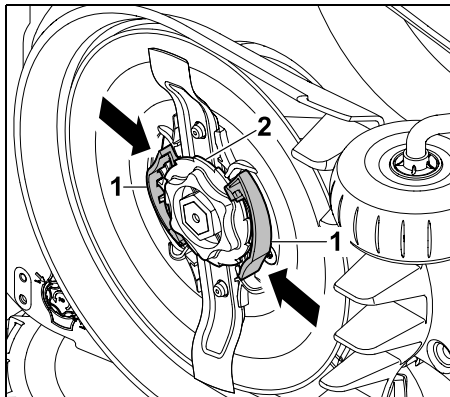
Check the **blade width** **A** and **blade thickness** **B** using a slide caliper. If the blade width is less than **25 mm** or the blade thickness is less than **1,3 mm** at any point, the mowing blade must be replaced.

16.4 Removing and installing the mowing blade

- Activate the disabling device (⇒ 5.2) and wear gloves.
- Tilt the robotic mower onto its side and lean it securely against a stable wall. Carefully clean the mowing deck and mowing blade. (⇒ 16.2)



Removing the blade:



Push in both tabs (1) on the carrier plate with one hand and hold. Remove the fastening nut (2) with your other hand. Remove the mowing blade together with the fastening nut.

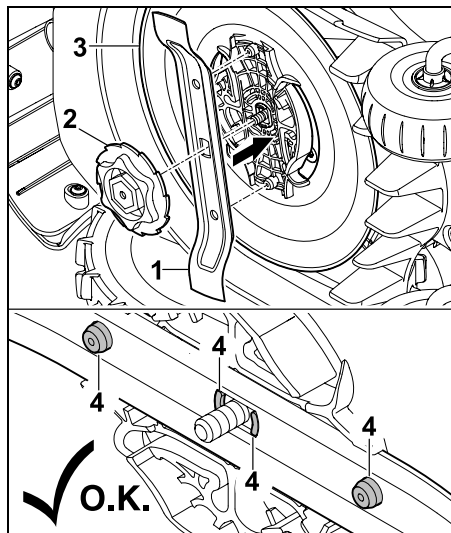


Installing the mowing blade:

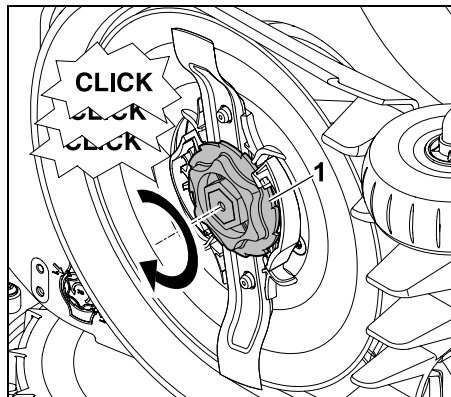
! Risk of injury! Check the blade for damage before installation. The blade must be replaced if notches or cracks are identified or if its width is less than 25 mm, or its thickness is less than 1,3 mm at any point. (⇒ 16.3)

The **carrier plate** and the **fastening nut** must also be replaced if damaged (e.g. broken, worn). The fastening nut in particular must engage cleanly in the carrier plate.

- Clean the blade, carrier plate and fastening nut prior to installation.



Fit the mowing blade (1) and fastening nut (2) on the carrier plate (3) as illustrated. Ensure the correct position of the retainers (4) in the mowing blade.



Screw on the fastening nut (1) as far as possible. Several clicks are audible during tightening. Ensure secure seating of the mowing blade by shaking carefully.

- Following installation of a new mowing blade, confirm the blade replacement in the "Service" menu. (⇒ 11.17)

16.5 Sharpening the mowing blade


Never re-sharpen blades.

STIHL recommends **always** replacing a blunt blade with a new one.

- i** Only new mowing blades are balanced with the necessary precision and guarantee proper functioning of the machine as well as low noise emissions.

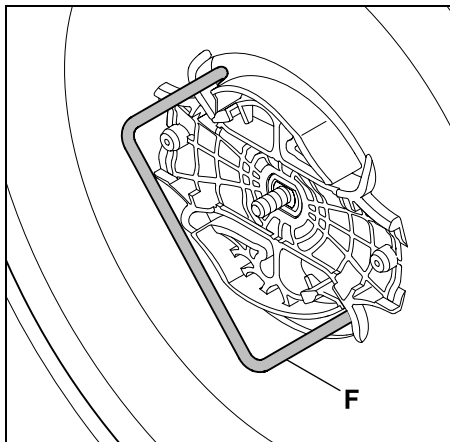
16.6 Removing and installing the carrier plate

- i** The carrier plate can be removed in order to clean the mowing deck.

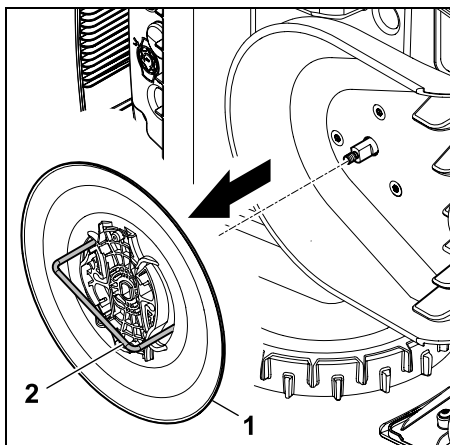
- Activate the disabling device (⇒ 5.2) and wear gloves. 
- Tilt the robotic mower onto its side and lean it securely against a stable wall. Carefully clean the mowing deck and mowing blade. (⇒ 16.2)

Removing the carrier plate:

- Remove the mowing blade. (⇒ 16.4)

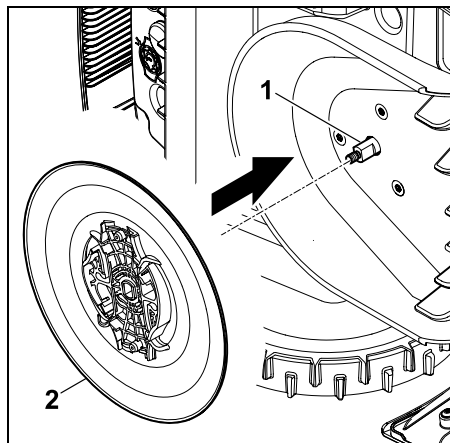


Insert the puller (F) and turn anti-clockwise to the stop.



Support the machine with one hand. Remove the carrier plate (1) by pulling on the puller (2).

Installing the carrier plate:



Thoroughly clean the blade shaft (1) and the mounting on the carrier plate (2). Push the carrier plate as far as possible onto the blade shaft.

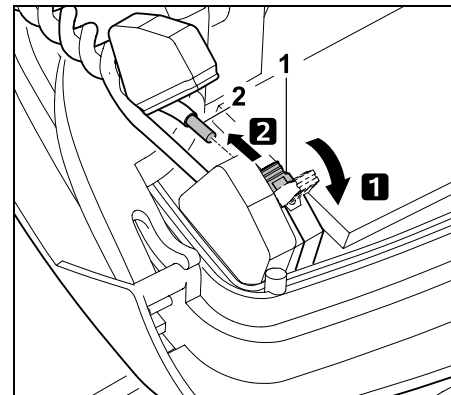
- Install the mowing blade. (⇒ 16.4)

16.7 Finding a wire break

i In the event of a wire break, the red LED on the docking station flashes rapidly. (⇒ 13.1) A corresponding message appears in the display of the robotic mower.

If a wire break cannot be found as described, contact your specialist dealer.

- Before finding the wire break, the button on the docking station must be pressed **once** (LED continues to flash rapidly).
- Remove the docking station cover and open the panel. (⇒ 9.2)

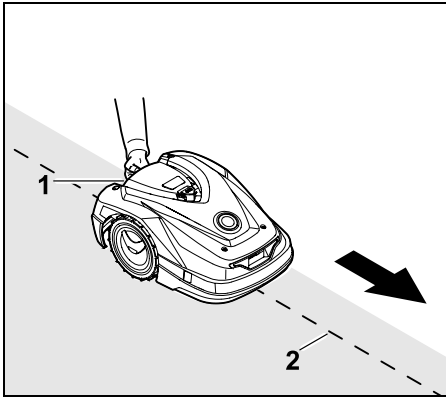


- 1 Fold open the left clamping lever (1).
- 2 Remove the wire end (2) from the terminal block and then close the clamping lever again.

- Open the panel and fit the docking station cover. (⇒ 9.2)

The following instructions describe how to search for a wire break in a clockwise direction, i.e. the perimeter wire is followed in a clockwise direction starting at the docking station. If necessary, the search can also be carried out counterclockwise, but in this case the right wire end must be removed from the terminal block.

- In the "More - Service" menu, select the "Find wire break" entry and confirm with OK. (⇒ 11.17)



Starting at the docking station, follow the edge of the mowing area **clockwise** with the robotic mower. For this purpose, lift the machine slightly by the rear carrying handle (1) to relieve the weight on the drive wheels. Push the robotic mower, supported by its front wheels, and follow the perimeter wire (2). It must be ensured that the perimeter wire (2) runs under the wire sensors. The wire sensors are installed in a protected position on the left and right at the front of the robotic mower. During the wire break search, the **signal strength** is indicated on the display; the wire sensors are in the ideal position above the perimeter wire when this value is at its highest.

The **Wire signal OK** symbol appears on the display when the wire sensors are correctly receiving the wire signal.



In the area of the wire break, the signal strength drops and the **Check wire signal** symbol appears on the display.

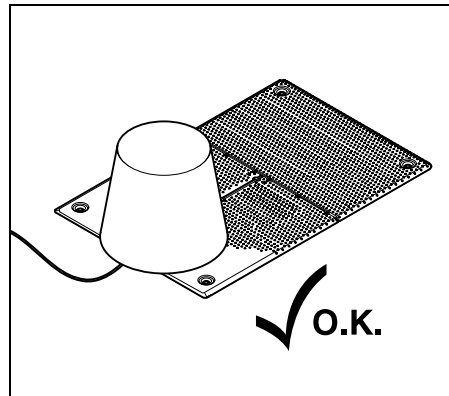


- Bridge the break with the aid of a wire connector (⇒ 12.16). If necessary, re-route the perimeter wire in the area of the break.
- Reconnect the left wire end. (⇒ 9.10)
- Once the wire break has been correctly rectified, the red LED illuminates. (⇒ 13.1)

16.8 Storage and winter break

Note the following points when **storing** the robotic mower (e.g. winter break, temporary storage):

- Charge the battery (⇒ 15.7)
- Place the robotic mower in hibernation (⇒ 11.17)
- Disconnect the power supply unit plug from the mains
- Carefully clean all external parts of the robotic mower and the docking station



Cover the docking station with a suitable bucket, fasten the bucket in place.

- Store the robotic mower on its wheels in a dry, closed and dust-free room. Make sure that the machine is kept out of reach of children.
- Always store the robotic mower in good operational condition.
- Keep all screws tightly fastened, replace danger signs and warnings on the machine that have become illegible, check the entire machine for wear and damage. Replace all worn or damaged parts.
- Any machine faults must be completely remedied prior to storage.



Never place or store objects on the robotic mower.

The temperature in the storage room should not fall below 5°C.

Resuming operation of the robotic mower following storage for a long period:



The date and time may need to be corrected following storage for a long period. Appropriate selection windows are displayed during initial operation. If the selection windows are not automatically displayed, check the date and time in the "Settings" menu and correct if necessary. (⇒ 11.10)

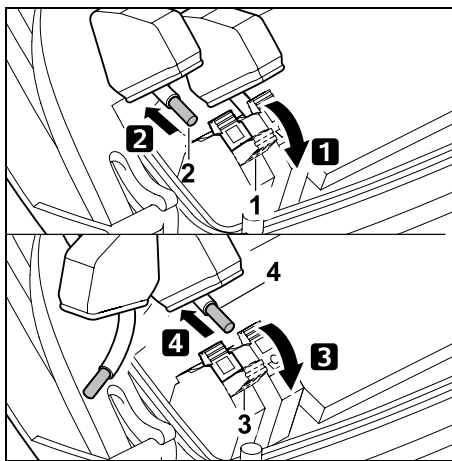
- Prepare the mowing area: Remove foreign objects and cut high grass short using a conventional lawn mower.
- Uncover the docking station and connect the power supply unit to the mains supply.
- Charge the battery (⇒ 15.7)
- Link the robotic mower and docking station. (⇒ 9.11)

- Remove obstacles and foreign bodies in the edge area.
Start edge following and check whether corridors and confined areas can be travelled on. (⇒ 11.13)
- Check the mowing plan and change as necessary. (⇒ 11.7)
- Switch on automatic mowing (⇒ 11.7)
- If necessary, activate Standard energy mode (⇒ 11.10) and switch on GPS protection. (⇒ 5.9)

16.9 Removing the docking station

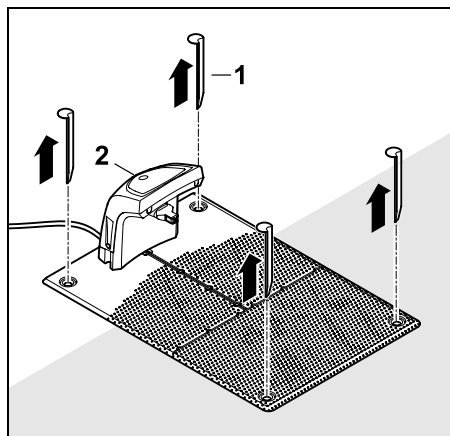
The docking station can also be removed if the robotic mower is to be **stored for long periods** (e.g. winter break).

- Preparing the robotic mower for storage for a long period (⇒ 16.8)
- Disconnect the power supply unit plug from the mains
- Remove the docking station cover and open the panel (⇒ 9.2)



- 1 Fold open the right clamping lever (1).
- 2 Remove the right wire end (2) from the terminal block.
Close the clamping lever (1) again.
- 3 Fold open the left clamping lever (3).
- 4 Remove the left wire end (4) from the terminal block.
Close the clamping lever (3) again.

- Close the panel (⇒ 9.2)
- Guide the right and left wire ends out of the docking station separately from each other
- Fit the docking station cover (⇒ 9.2)



Pull out the pegs (1), remove the docking station (2) from the lawn with the power supply unit connected, clean thoroughly (with a moist cloth) and put into storage.

- Store the robotic mower together with the docking station and the power supply unit in the normal position and in a dry, closed and dust-free room. Dock the robotic mower in the docking station. Make sure that the machine is kept out of reach of children.

- Protect the terminals of the perimeter wire from environmental influences (e.g. wrap with suitable insulating tape).
- Reinstall the docking station in the same way as during initial installation – in particular connect the right and left perimeter wire ends on the correct sides. (⇒ 9.10)

17. Standard spare parts

Mowing blade:
6301 702 0101

18. Accessories

- **STIHL Kit S** for mowing areas up to 500 m²
- **STIHL Kit L** for mowing areas from 2,000 m² – 4,000 m²
- Fixing pins **STIHL AFN 075**
- Perimeter wire **STIHL ARB 501**:
Length: 500 m
Diameter: 3,4 mm
- Wire connectors **STIHL ADV 010**

Additional accessories are available for the machine.

Further information is available from your STIHL specialist dealer, on the internet (www.stihl.com) or in the STIHL catalogue.

i For safety reasons, only accessories approved by STIHL may be used with the machine.

19. Minimising wear and preventing damage

Important information on maintenance and care of the product group

robotic mower, cordless (STIHL RMI)

STIHL assumes no liability for material or personal damage caused by the non-observance of information contained in the operating instructions, in particular with regard to safety, operation and maintenance, or which arise through the use of unauthorised attachment or spare parts.

Please always observe the following important information for the prevention of damage or excessive wear to your STIHL machine:

1. Wearing parts

Some parts of the STIHL machine are subject to normal wear even when used properly and must be replaced in due time depending on type and duration of use.

These include:

- Mowing blade
- Battery
- Tyres

2. Compliance with the information in this instruction manual

The STIHL machine must be used, maintained and stored with the care described in this instruction manual. Any damage caused by non-compliance with the safety, operating and maintenance instructions is the sole responsibility of the user.

This applies in particular to:

- Incorrect handling of the battery (charging, storage)
- Incorrect electrical connection (voltage)
- Product modifications not approved by STIHL
- Use of tools or accessories which are not approved or suitable for the machine, or are of inferior quality
- Improper use of the product
- Use of the product for sporting or competitive events
- Resultant damage due to continued use of the product with defective components.

3. Maintenance operations

All operations listed in the section "Maintenance" must be performed regularly.

If these maintenance operations cannot be carried out by the user, a specialist dealer must be commissioned to perform them.

STIHL recommends that you have maintenance operations and repairs performed exclusively by a STIHL specialist dealer.

STIHL specialist dealers regularly attend training courses and are provided with technical information.

If these operations are neglected, faults may arise which are the responsibility of the user.

These include:

- damage to the machine as a result of inadequate or incorrect cleaning,
- corrosive and other resultant damage caused by incorrect storage,

- damage to the machine through the use of inferior-quality spare parts,
- damage due to untimely or inadequate maintenance or damage due to maintenance or repair work not performed in the workshops of specialist dealers.

20. Environmental protection

The machine, its packaging and accessories are all produced from recyclable materials and must be disposed of accordingly.

By disposing of materials separately, and in an environmentally friendly manner, valuable resources can be re-used. For this reason, the machine should be disposed of for recycling at the end of its useful life. Pay particular attention to the information in the "Disposal" section during disposal. (⇒ 6.11)



Waste products such as batteries must always be disposed of properly. Observe local regulations.

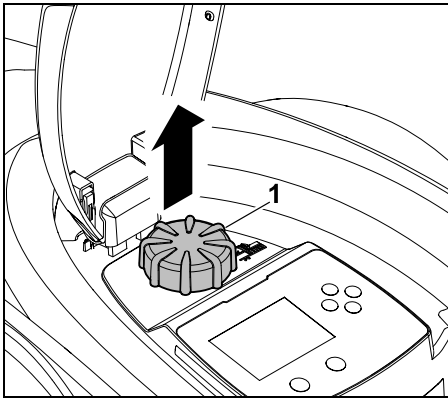


Li-Ion
point.

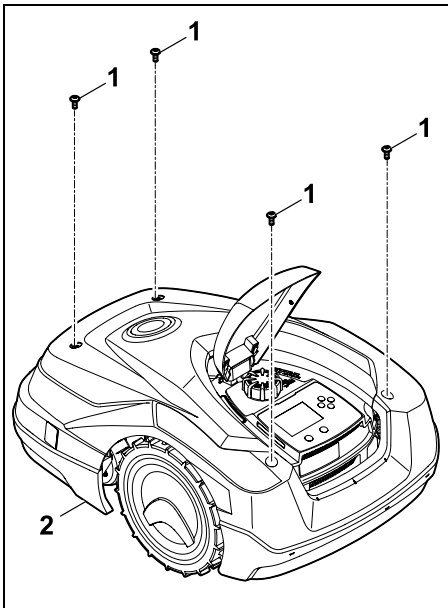
Do not dispose of lithium-ion batteries with domestic waste. Please hand them in to a specialist dealer or at a hazardous waste collection

20.1 Removing the battery

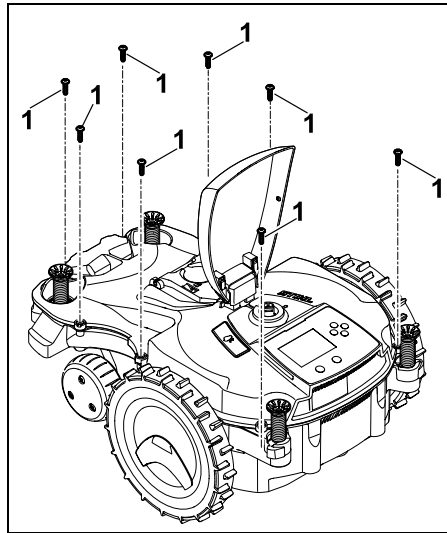
- Activate the disabling device. (⇒ 5.2)
- Open the flap. (⇒ 15.2)



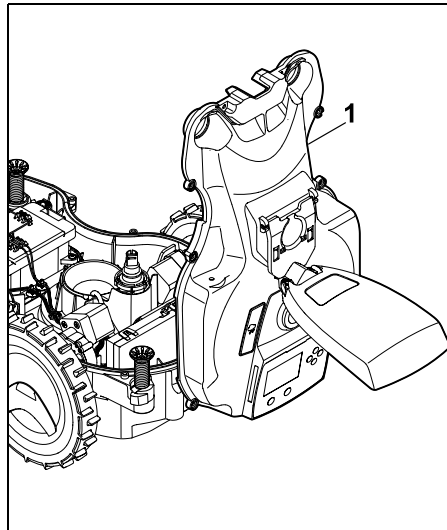
Remove the rotary knob (1) upwards.



Remove the screws (1) from the cover (2).
Remove the cover (2) upwards.



Unscrew the screws (1) and remove.



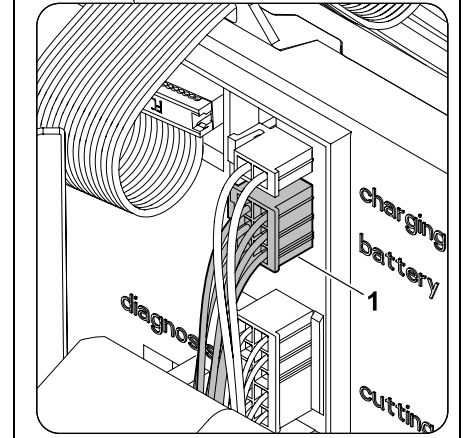
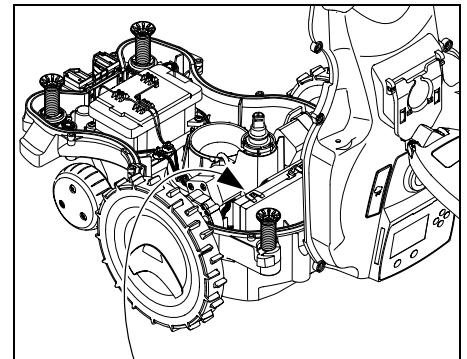
Fold the upper housing (1) rearwards.



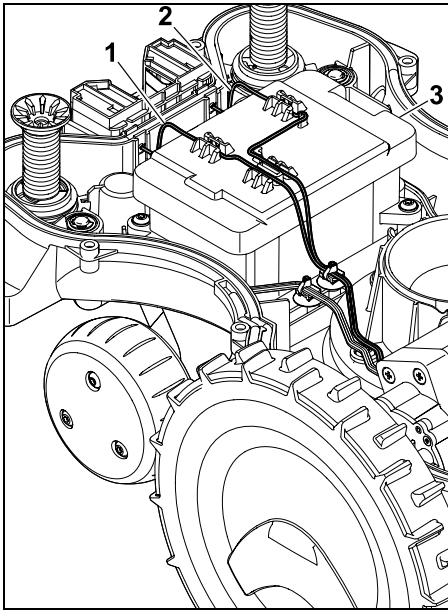
Risk of injury!

Do not cut cables at the battery.
Risk of short circuit!

Always disconnect the cables and
remove together with the battery.



Detach the connector (1) (battery).



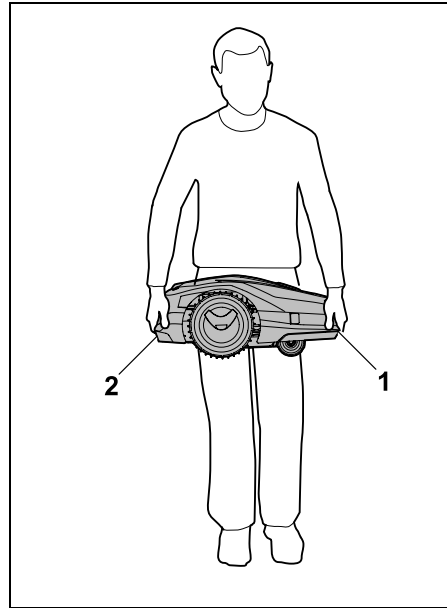
Remove cable (1) and cable (2) from the cable guides and remove the battery (3).

⚠ Risk of injury!
Prevent damage to the battery.

21. Transport

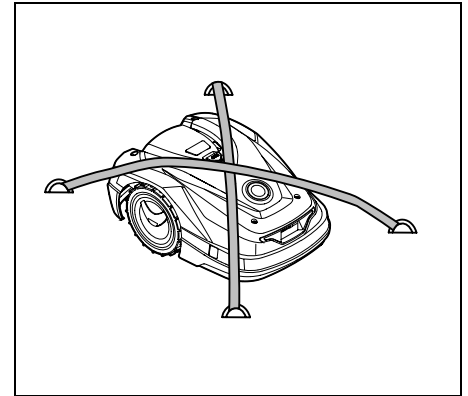
⚠ Risk of injury!
Before transporting, carefully read the section "For your safety" (⇒ 6.), particularly the subsection "Transporting the machine" (⇒ 6.5), and follow all safety instructions – always activate the disabling device. (⇒ 5.2)

21.1 Lifting or carrying the machine



Lift and carry the robotic mower at the front carrying handle (1) and at the rear carrying handle (2). Ensure that the mowing blade always faces away from your body and that there is sufficient distance between the mowing blade and body, particularly the feet and legs.

21.2 Securing the machine (lashing)



Secure the robotic mower on the load floor. Fasten the machine as illustrated using suitable fastening materials (straps, ropes) for this purpose.

Secure any other machine components being transported (e.g. docking station, small components) against slipping.

22. Declaration of conformity

22.1 EU declaration of conformity – Cordless, electric robotic mower (RMI) with docking station (ADO)

Manufactured by:

STIHL Tirol GmbH
Hans Peter Stihl-Strasse 5
6336 Langkampfen
Austria

ANDREAS STIHL AG & Co. KG declares under our sole responsibility that

design: Lawn mower, automatic and cordless

manufacturer's brand: STIHL

type: RMI 522.0 C

serial number: 6305

design: Docking station

manufacturer's brand: STIHL

type: ADO 500

Firmware V 2.00

serial number: 6301

complies with the relevant provisions of Directives 2006/42/EC, 2011/65/EU, 2006/66/EC, 2014/53/EU and has been developed and manufactured in accordance with the versions of the following standards valid on the date of manufacture:

EN 50636-2-107, EN 60335-1 Ed 5, EN 55014-1, EN 55014-2, EN 61000-3-2, EN 61000-3-3

ETSI EN 301 489-1 V2.2.3

ETSI EN 301 489-19 V2.1.1

ETSI EN 301 489-52 V2.1.1

ETSI EN 301 511 V 12.5.1

ETSI EN 301 908-1 V13.1.1

ETSI EN 301 908-13 V13.1.1

ETSI EN 303 413 V1.1.1

ETSI EN 303 447 V1.2.0

The notified body TÜV Rheinland LGA Products GmbH, No. 0197, has reviewed the conformity according to Annex III Module B of the Directive 2014/53/EU and

issued the following EU type examination certificate:
RT 60154540 0001

Storage of technical documentation:
Andreas STIHL AG & Co. KG
Product approval

The year of manufacture and machine number (serial number) are indicated on the machine.

Waiblingen, 02.11.2020
ANDREAS STIHL AG & Co. KG
p.p.



Dr. Jürgen Hoffmann, Head of Product Data, Product Regulations and Approval

22.2 UKCA-Declaration of Conformity STIHL RMI 522.0 C Cordless, Electric Robotic Mower

Hereby, Andreas Stihl AG & Co. KG declares that the radio equipment type STIHL RMI 522.0 C is in compliance with the relevant statutory requirements. The full text of the declaration of conformity is available at the following internet address: www.stihl.com/conformity.

23. Technical specifications

Serial number	6305
Mowing system	Mulching mowing deck
Cutting utilities	Cutter bar
Cutting width	20 cm
Speed of cutting utilities	4450 rpm
Battery type	Lithium-ion
Battery voltage U_{DC}	18,0 V
Cutting height	20 - 60 mm
Protection class	III
Type of protection	IPX4
In accordance with EN 50636-2-107:	
Sound pressure level	
L_{pA}	52 dB(A)
Uncertainty K_{pA}	2 dB(A)
In accordance with 2000/14/EG / S.I. 2001/1701:	
Measured sound power level L_{WA}	60 dB(A)
Uncertainty K_{WA}	2 dB(A)
$L_{WA} + K_{WA}$	62 dB(A)
Length	60 cm
Width	43 cm
Height	27 cm
Power	60 W
Battery designation	AAI 100
Battery capacity	4,9 Ah
Weight	9,7 kg

Mobile radio:

Supported frequency bands	E-GSM-900 and DCS-1800
---------------------------	------------------------

Radiated maximum transmitting power:

E-GSM-900	880 - 915 MHz: 33.0 dBm
DCS-1800	1710 - 1785 MHz: 30.0 dBm
LTE-CAT-M1	698 - 960 MHz: 23 dBm
LTE-CAT-M1	1710 - 2170 MHz: 23 dBm

Docking station ADO 500:

Voltage U_{DC}	27 V
Protection class	III
Type of protection	IPX4
Weight	2,7 kg

Perimeter wire and guide loop:

Frequency range	1.0 kHz - 90 kHz
Maximum field strength	< 72 μ A/m

Power supply unit:

	OWA-60E-27
	2,23 A
Mains voltage U_{AC}	100-240 V
Frequency	50/60 Hz
Direct current voltage U_{DC}	27 V
Protection class	II
Type of protection	IP67

Transporting STIHL batteries:

STIHL batteries meet the requirements specified in UN manual ST/SG/AC.10/11/Rev.5 Part III, subsection 38.3.

The user may carry STIHL batteries to the place of use of the machine without further restrictions during road transport.

Country-specific legislation must be observed in the case of air or sea transport.

For further transport instructions, see <http://www.stihl.com/safety-data-sheets>

REACH:

REACH is an EC Directive for the registration, evaluation, authorisation and restriction of chemicals. For information on compliance with the REACH Directive (EC) No. 1907/2006, see www.stihl.com/reach

24. Messages


Messages provide information on active errors, faults and recommendations. They are displayed in a dialog window and can be called up after pressing the OK button in the "More - Information - Messages" menu. (⇒ 11.18)

Recommendations and active messages also appear in the status screen. (⇒ 11.2)


The message code, the time of occurrence, the priority and the frequency of occurrence can be called up in the message details.

- **Recommendations** are awarded the priority "Low" or "Info", they appear in the status screen alternately with the text "iMOW® ready for op". The robotic mower can still be operated, automatic operation continues.

- **Faults** are awarded the priority "Medium" and require action on the part of the user. The robotic mower can only be operated again once the fault has been rectified.
- In the case of **errors** awarded the priority "High", the text "Contact your specialist dealer" appears on the display. The robotic mower can only be operated again once the error has been rectified by a STIHL specialist dealer.

 If a message is still active despite the proposed remedial action, please contact your STIHL specialist dealer.

Errors that can only be rectified by a STIHL specialist dealer are not listed in the following. Should an error of this kind occur, please communicate the 4-digit error code and the error text to your specialist dealer.

 Messages that impair normal operation are also reported to the app. (⇒ 10.)

The robotic mower enters standby after the message is sent and disables radio communication to preserve the battery.

Message:

0001 – Data updated
Press OK to release

Possible cause:

- Machine software has been updated
- Voltage loss

- Software or hardware error

Remedy:

- After the OK button is pressed, the robotic mower operates with the default settings – check and correct the settings (date, time, mowing plan)

Message:

0100 – Battery discharged
Charge battery

Possible cause:

- Battery voltage too low

Remedy:

- Place robotic mower in docking station to recharge battery (⇒ 15.7)

Message:

0180 – Temperature low
Main circuit board

Possible cause:

- Temperature inside robotic mower too low

Remedy:

- Allow robotic mower to warm up

Message:

0181 – Temperature high
Main circuit board

Possible cause:

- Temperature inside robotic mower too high

Remedy:

- Allow robotic mower to cool down

Message:

0183 – Temperature high
Charge control circuit board

Possible cause:

- Temperature inside robotic mower too high

Remedy:

- Allow robotic mower to cool down

Message:

0185 – Temperature high
Drive control circuit board

Possible cause:

- Temperature inside robotic mower too high

Remedy:

- Allow robotic mower to cool down

Message:

0186 – Temperature low
Battery

Possible cause:

- Battery temperature too low

Remedy:

- Allow robotic mower to warm up

Message:

0187 – Temperature high
Battery

Possible cause:

- Battery temperature too high

Remedy:

- Allow robotic mower to cool down

Message:

0302 – Drive motor fault
Temperature range exceeded

Possible cause:

- Temperature in left drive motor too high

Remedy:

- Allow robotic mower to cool down

Message:

0305 – Drive motor fault
Left wheel is stuck

Possible cause:

- Overload at left drive wheel

Remedy:

- Clean robotic mower (⇒ 16.2)
- Level out any uneven areas (holes, depressions) in mowing area

Message:

0402 – Drive motor fault
Temperature range exceeded

Possible cause:

- Temperature in right drive motor too high

Remedy:

- Allow robotic mower to cool down

Message:

0405 – Drive motor fault
Right wheel is stuck

Possible cause:

- Overload at right drive wheel

Remedy:

- Clean robotic mower (⇒ 16.2)
- Level out any uneven areas (holes, depressions) in mowing area

Message:

0502 – Mowing motor fault
Temperature range exceeded

Possible cause:

- Temperature in mowing motor too high

Remedy:

- Allow robotic mower to cool down
-

Message:

0505 – Mowing motor fault
Mowing motor overloaded

Possible cause:

- Dirt between carrier plate and mowing deck housing
- Mowing motor cannot be switched on
- Mowing motor overloaded

Remedy:

- Clean mowing blade and mowing deck (⇒ 16.2)
Clean carrier plate (⇒ 16.6)
 - Set higher cutting height (⇒ 9.5)
 - Level out any uneven areas (holes, depressions) in the mowing area
-

Message:

0701 – Battery temperature
Outside temperature range

Possible cause:

- Temperature in battery too low or too high

Remedy:

- Allow robotic mower to warm up or cool it down – observe permissible temperature range of battery (⇒ 6.4)
-

Message:

0703 – Battery discharged
Battery voltage too low

Possible cause:

- Battery voltage too low

Remedy:

- Place robotic mower in docking station to recharge battery (⇒ 15.7)
-

Message:

0704 – Battery discharged
Battery voltage too low

Possible cause:

- Battery voltage too low

Remedy:

- Place robotic mower in docking station to recharge battery (⇒ 15.7)
-

Message:

1000 – Rollover
Allowed inclination exceeded

Possible cause:

- Tilt sensor has detected a rollover

Remedy:

- Place robotic mower on its wheels, check for damage and confirm message with OK
-

Message:

1010 – iMOW® raised
Press OK to release

Possible cause:

- Robotic mower has been lifted by hood

Remedy:

- Check movement of hood and confirm message with OK
-

Message:

1030 – Hood fault
Check hood
Then press OK

Possible cause:

- No hood detected

Remedy:

- Check hood (movement, firm seating) and confirm the message with OK
-

Message:

1105 – Flap open
Operation aborted

Possible cause:

- Flap open during automatic operation
- Flap open during automatic edge following

Remedy:

- Close the flap (⇒ 15.2)
-

Message:

1120 – Hood blocked
Check hood
then press OK

Possible cause:

- Permanent collision detected
- Uneven areas around or underneath docking station floor plate

Remedy:

- Free robotic mower, remove obstacle or change routing of perimeter wire if necessary – then confirm message with OK
 - Check movement of hood and confirm message with OK
 - Level out uneven areas and confirm message with OK (⇒ 9.1)
-

Message:

1125 – Remove obstacle
Check wire routing

Possible cause:

- Perimeter wire routed inaccurately

Remedy:

- Check routing of the perimeter wire, check clearances using the iMOW® Ruler (⇒ 12.5)
-

Message:

1126 – Cancel teach-in
Teach-in failed
Remove obstacle

Possible cause:

- Obstacle in the area of the perimeter wire
- Hood has been lifted
- Wire routing incorrect

Remedy:

- Free robotic mower, remove obstacle or change routing of perimeter wire if necessary
 - Check movement of the hood
 - Level out uneven areas
 - Confirm the message with OK
 - Restart teach-in run if necessary
-

Message:

1127 – Cancel teach-in
Teach-in failed

Possible cause:

- STOP button was pressed
- Allowed inclination exceeded
- Delete/save internal map of the mowing area failed
- Docking was not successful

Remedy:

- Confirm the message with OK
 - Restart teach-in run if necessary
-

Message:

1128 – Direct drive home
Drive home on the wire aborted

Possible cause:

- Direct drive home could not be successfully completed

Remedy:

- No action required, confirm message with OK if necessary
 - Contact your STIHL specialist dealer if the problem persists
-

Message:

1130 – Stuck
Free iMOW®
then press OK

Possible cause:

- Robotic mower has become stuck
- Drive wheels are spinning

Remedy:

- Free robotic mower, level out mowing area or change routing of perimeter wire if necessary – then confirm message with OK
 - Clean drive wheels, if necessary prevent operation during rain – then confirm message with OK (⇒ 11.11)
-

Message:

1135 – Outside
Place the iMOW® on the mowing area

Possible cause:

- Robotic mower is located outside mowing area

Remedy:

- Return robotic mower to mowing area
-

Message:

1140 – Too steep
Check wire routing

Possible cause:

- Tilt sensor has detected a slope inclination exceeding 40%

Remedy:

- Change routing of perimeter wire, block off lawns with slope inclinations exceeding 40%
-

Message:

1170 – No signal
Switch on docking station

Possible cause:

- Docking station is switched off
- No reception of wire signal during operation
- Robotic mower is located outside mowing area
- Docking station or electronic components were replaced

Remedy:

- Switch on docking station and give mowing command
 - Check power supply to docking station
 - Check LED on docking station – the red LED must be permanently illuminated during operation (⇒ 13.1)
 - Return robotic mower to mowing area
 - Link robotic mower and docking station (⇒ 11.16)
-

Message:

1180 – Dock iMOW®
Automatic docking
not possible

Possible cause:

- The docking station was not found
-

- The start or end of a corridor was installed incorrectly

Remedy:

- Check LED on the docking station, switch on the docking station if necessary (⇒ 13.1)
 - Check docking (⇒ 15.6)
 - Check funnel-shaped entrance and exit areas of the corridor (⇒ 12.11)
-

Message:

1190 – Docking error
Docking station occupied

Possible cause:

- Docking station occupied by a second robotic mower

Remedy:

- Dock robotic mower once docking station is unoccupied again
-

Message:

1200 – Mowing motor fault
Mowing motor start not possible after 5 attempts

Possible cause:

- Dirt between carrier plate and mowing deck housing
- Mowing motor cannot be switched on
- Mowing motor overloaded

Remedy:

- Clean mowing blade and mowing deck (⇒ 16.2)
Clean carrier plate (⇒ 16.6)
 - Set higher cutting height (⇒ 9.5)
 - Level out any uneven areas (holes, depressions) in the mowing area
-

Message:

1210 – Drive motor fault
Wheel stuck

Possible cause:

- Overload at a drive wheel

Remedy:

- Clean robotic mower (⇒ 16.2)
 - Level out any uneven areas (holes, depressions) in mowing area
-

Message:

1220 – Rain detected
Mowing interrupted

Possible cause:

- Mowing operation has been interrupted or not started due to rain

Remedy:

- No action necessary; adjust rain sensor if required (⇒ 11.11)
-

Message:

1230 – Docking error
Dock iMOW®

Possible cause:

- Docking station has been located, automatic docking not possible

Remedy:

- Check docking, if necessary dock robotic mower manually (⇒ 15.6)
 - Check perimeter wire – ensure correct routing in area of docking station (⇒ 9.9)
-

Message:

2000 – Signal problem
Dock iMOW®

Possible cause:

- Wire signal faulty, fine tuning necessary

Remedy:

- Place robotic mower in docking station – then press OK
-

Message:

2020 – Recommendation
Annual service by spec. dealer required

Possible cause:

- Machine service recommended

Remedy:

- Have the annual service carried out by a STIHL specialist dealer
-

Message:

2030 – Battery
Allowed operating time reached

Possible cause:

- Battery replacement necessary

Remedy:

- Have the battery replaced by a STIHL specialist dealer
-

Message:

2031 – Charging failure
Check charging contacts

Possible cause:

- Charging cannot be started

Remedy:

- Check docking station and robotic mower charging contacts and clean if necessary – then confirm message with OK

Message:

2032 – Battery temperature
Outside temperature range

Possible cause:

- Temperature in battery during charging too low or too high

Remedy:

- Allow robotic mower to warm up or cool it down – observe permissible temperature range of battery
-

Message:

2040 – Battery temperature
Outside temperature range

Possible cause:

- Temperature in battery when starting mowing operation too low or too high

Remedy:

- Allow robotic mower to warm up or cool it down – observe permissible temperature range of battery (⇒ 6.4)
-

Message:

2050 – Adapt mowing plan
Extend active times

Possible cause:

- Active times have been shortened/deleted or the mowing duration has been extended – the stored active times are insufficient for the necessary mowing operations.

Remedy:

- Extend the active times (⇒ 11.7) or shorten the mowing duration (⇒ 11.7)
-

Message:

2060 – Mowing completed
Press OK to release

Possible cause:

- Mowing in secondary area successfully completed

Remedy:

- Return robotic mower to mowing area and dock to charge battery (⇒ 15.6)
-

Message:

2070 – GPS signal
No reception at edge

Possible cause:

- The entire edge of the mowing area is in a dead spot

Remedy:

- Repeat edge following (⇒ 11.13)
 - Contact a STIHL specialist dealer for a detailed diagnosis
-

Message:

2071 – GPS signal
No reception at starting pt. 1

Possible cause:

- Starting point 1 is in a dead spot

Remedy:

- Change the position of starting point 1 (⇒ 11.14)
-

Message:

2072 – GPS signal
No reception at starting pt. 2

Possible cause:

- Starting point 2 is in a dead spot

Remedy:

- Change the position of starting point 2 (⇒ 11.14)
-

Message:

2073 – GPS signal
No reception at starting pt. 3

Possible cause:

- Starting point 3 is in a dead spot

Remedy:

- Change the position of starting point 3 (⇒ 11.14)
-

Message:

2074 – GPS signal
No reception at starting pt. 4

Possible cause:

- Starting point 4 is in a dead spot

Remedy:

- Change the position of starting point 4 (⇒ 11.14)
-

Message:

2075 – GPS signal
No reception in desired zone

Possible cause:

- The desired zone is in a dead spot

Remedy:

- Redefine the desired zone (⇒ 10.)
-

Message:

2076 – GPS signal
Desired zone not found

Possible cause:

- The desired zone could not be found during edge following

Remedy:

- Redefine the desired zone. Make sure that the desired zone and perimeter wire overlap (⇒ 10.)
-

Message:

2077 – Desired zone
Desired zone outside home area

Possible cause:

- The desired zone is outside the stored home area

Remedy:

- Redefine the desired zone (⇒ 10.)
-

Message:

2090 – Radio module
Contact your specialist dealer

Possible cause:

- Communication with the radio module interrupted

Remedy:

- No action required, firmware will be automatically updated if necessary
 - Contact your STIHL specialist dealer if the problem persists
-

Message:

2100 – GPS protect.
Outside home area
Machine disabled

Possible cause:

- Robotic mower was removed from home area

Remedy:

- Return robotic mower to home area and enter PIN code (⇒ 5.9)
-

Message:

2110 – GPS protect.
New location
New installation req.

Possible cause:

- Robotic mower was operated on a different mowing area. Wire signal of second docking station is already stored.

Remedy:

- Perform new installation (⇒ 11.13)
-

Message:

2400 – iMOW® successfully reset to factory default

Possible cause:

- Robotic mower has been reset to factory default

Remedy:

- Confirm message with OK
-

Message:

4000 – Voltage fault
Battery overvoltage or undervoltage

Possible cause:

- Battery overvoltage or undervoltage

Remedy:

- No action required, firmware will be automatically updated if necessary
 - Contact your STIHL specialist dealer if the problem persists
-

Message:

4001 – Temperature fault
Outside temperature range

Possible cause:

- Temperature in battery or inside machine too low or too high

Remedy:

- Allow robotic mower to warm up or cool it down – observe permissible temperature range of battery (⇒ 6.4)
-

Message:

4002 – Rollover
see message 1000

Message:

4003 – Hood lifted
Check hood
Then press OK

Possible cause:

- Hood has been lifted

Remedy:

- Check the hood and confirm the message with OK
-

Message:

4004 – Drive braking time exceeded
Press OK to release

Possible cause:

- Error in the programme sequence
- Wire routing incorrect
- Obstacles in the area of the perimeter wire

Remedy:

- Confirm message with OK
 - Check wire routing, especially in the area of the corners, using the iMOW® Ruler (⇒ 12.5)
 - Remove obstacles
-

Message:

4005 – Blade braking time exceeded
Please OK to release

Possible cause:

- Error in the programme sequence
- Signal collapse (e.g. due to a power failure) during automatic mowing

Remedy:

- Confirm message with OK
- Check power supply to the docking station – the red LED must be illuminated permanently during operation; then press the OK button (⇒ 13.1)

Message:

4006 – Charging interrupted
Press OK to release

Possible cause:

- Error in programme sequence
- Power failure during charging
- Robotic mower rolled out of docking station

Remedy:

- Confirm message with OK
- Check power supply to docking station – the red LED flashes slowly when robotic mower is docked (⇒ 13.1)
- Check that docking station is in correct position (⇒ 9.1)

Message:

4008 – Flap not closed.
Press OK to release

Possible cause:

- Flap position not detected correctly
- Sensor signal transmission error

Remedy:

- Confirm message with OK
- Open and close flap again

- Contact your STIHL specialist dealer if the problem persists

Message:

4009 – Hood sensor faulty
Press OK to release

Possible cause:

- Hood displaced

Remedy:

- Check position of the hood
- Check movement of the hood and clean hood mounting if necessary
- Confirm message with OK

Message:

4016 – STOP button sensor value deviation
Press OK to release

Possible cause:

- Error in the programme sequence

Remedy:

- Confirm message with OK

Message:

4027 – STOP button pressed
Press OK to release

Possible cause:

- STOP button has been pressed

Remedy:

- Confirm message with OK

25. Troubleshooting

Support and help on use

Support and help on use are available from a STIHL specialist dealer.

Contact options and further information can be found at <https://support.stihl.com> or <https://www.stihl.com>.

- ✳ If necessary, contact a specialist dealer; STIHL recommends STIHL specialist dealers.

Fault:

The robotic mower operates at the wrong times

Possible cause:

- Date and time incorrectly set
- Active times incorrectly set
- Machine has been operated by unauthorised persons

Remedy:

- Set time and date (⇒ 11.10)
- Set active times (⇒ 11.7)
- Set safety level to "Medium" or "High" (⇒ 11.16)

Fault:

The robotic mower fails to operate during an active time

Possible cause:

- Battery is charging
- Automatic mowing switched off
- Active time switched off
- Rain detected
- If mow plan type "Dynamic" is activated: weekly mowing duration has been reached, no further mowing operations required that week
- Message is active
- Flap open or not present
- Docking station not connected to power supply
- Outside allowed temperature range
- Power failure

Remedy:

- Allow battery to finish charging (⇒ 15.7)

- Switch on automatic mowing (⇒ 11.7)
- Release active time (⇒ 11.7)
- Set rain sensor (⇒ 11.11)
- No further action necessary, mowing operations are automatically distributed over the week in the mow plan type "Dynamic" – if necessary, start the mowing operation in the "Start" menu (⇒ 11.5)
- Rectify displayed fault and confirm message with OK (⇒ 24.)
- Close flap (⇒ 15.2)
- Check power supply to docking station (⇒ 9.3)
- Allow the robotic mower to warm up or cool down – standard temperature range for operation of the robotic mower: +5°C to +40°C. Detailed information is available from your specialist dealer. ⚡
- Check the power supply. When the robotic mower detects a wire signal again after a periodic check, it resumes the interrupted mowing operation. This means that it can take several minutes before mowing operation is automatically resumed following the power failure. The intervals between the individual periodic checks increase, the longer the power failure lasts.

Fault:

The robotic mower fails to mow after the "Start" menu has been called up

Possible cause:

- Insufficient battery charge
- Rain detected
- Flap not closed or not present
- Message is active
- Homecall activated on docking station

Remedy:

- Charge battery (⇒ 15.7)
- Set rain sensor (⇒ 11.11)

- Close flap (⇒ 15.2)
- Rectify displayed fault and confirm message with OK (⇒ 24.)
- End Homecall or repeat command following docking

Fault:

The robotic mower is not working and nothing is shown in the display

Possible cause:

- Machine is in standby
- Battery defective

Remedy:

- Press any button to wake up robotic mower – status screen appears (⇒ 11.2)
- Replace battery (⚡)

Fault:

The robotic mower is noisy and vibrates

Possible cause:

- Mowing blade is damaged
- Mowing deck is very dirty

Remedy:

- Replace mowing blade – remove any obstacles from lawn (⇒ 16.4), (⚡)
- Clean mowing deck (⇒ 16.2)

Fault:

Poor mulching or mowing result

Possible cause:

- Grass is too high in relation to cutting height
- Lawn is extremely wet
- Mowing blade is blunt or worn
- Active times insufficient, mowing duration too short
- Size of mowing area set incorrectly
- Mowing area with very high grass

- Long periods of rain

Remedy:

- Adjust cutting height (⇒ 9.5)
- Adjust rain sensor (⇒ 11.11)
Change active times (⇒ 11.7)
- Replace mowing blade (⇒ 16.4), (⚡)
- Extend or add active times (⇒ 11.7)
Extend mowing duration (⇒ 11.7)
- Create new mowing plan (⇒ 11.7)
- For neat mowing results, the robotic mower needs up to 2 weeks, depending on the size of the mowing area
- Allow mowing in rain (⇒ 11.11)
Extend active times (⇒ 11.7)

Fault:

Display in a foreign language

Possible cause:

- Language setting has been changed

Remedy:

- Set the language (⇒ 9.7)

Fault:

Brown (earthy) patches appear in the mowing area

Possible cause:

- Mowing duration is too long in relation to the mowing area
- Perimeter wire has been routed with excessively tight radii
- Size of mowing area set incorrectly

Remedy:

- Reduce the mowing duration (⇒ 11.7)
- Correct the routing of the perimeter wire (⇒ 12.)
- Create a new mowing plan (⇒ 11.7)

Fault:

Mowing operations are significantly shorter than usual

Possible cause:

- Grass is very high or too wet
- Machine (mowing deck, drive wheels) is very dirty
- Battery has reached end of service life

Remedy:

- Adjust the cutting height (⇒ 9.5)
Set the rain sensor (⇒ 11.11)
Change the active times (⇒ 11.7)
- Clean the machine (⇒ 16.2)
- Replace the battery – observe corresponding recommendation in the display (✘), (⇒ 24.)

Fault:

The robotic mower is docked, the battery is not charging

Possible cause:

- Battery does not need to be charged
- Docking station not connected to power supply
- Incorrect docking
- Charging contacts corroded
- Power supply unit defective
- Machine is in standby

Remedy:

- No action necessary – battery charging occurs automatically below a certain voltage
- Check power supply to the docking station (⇒ 9.8)
- Place the robotic mower in the mowing area and send it back to the docking station (⇒ 11.6), check for correct docking – if necessary, correct the position of the docking station (⇒ 9.1)
- Replace charging contacts (✘)

- Disconnect the power supply and contact your STIHL specialist dealer (✘)
- Press any button to wake up the robotic mower – status screen appears (⇒ 11.2)

Fault:

Docking not working

Possible cause:

- Uneven entry area to docking station
- Uneven areas around or underneath docking station floor plate
- Docking station floor plate bent
- Dirty drive wheels or dirty floor plate
- Perimeter wire incorrectly routed in area of docking station
- Ends of perimeter wire not cut

Remedy:

- Level out entry area to docking station (⇒ 9.1)
- Level out uneven areas around or underneath docking station floor plate (⇒ 9.1)
- Ensure that floor plate is level and flat (⇒ 9.1)
- Clean drive wheels and docking station floor plate (⇒ 16.2)
- Re-route perimeter wire – ensure correct routing in area of docking station (⇒ 9.9)
- Cut perimeter wire as described and route it without excess length – do not roll up protruding ends (⇒ 9.10)

Fault:

The robotic mower travels past the docking station or docks at an angle

Possible cause:

- Wire signal affected by environmental influences

- Perimeter wire incorrectly routed in area of docking station

Remedy:

- Link robotic mower and docking station again – ensure that robotic mower is in correct alignment to docking station (⇒ 11.16)
- Re-route perimeter wire – ensure correct routing in area of docking station (⇒ 9.9)
Check for correct connection of perimeter wire ends in docking station (⇒ 9.10)

Fault:

The robotic mower has crossed the perimeter wire

Possible cause:

- Perimeter wire incorrectly routed, clearances are not correct
- Slope inclination of mowing area too steep
- Interference affecting robotic mower

Remedy:

- Check routing of perimeter wire (⇒ 11.13), check clearances using iMOW® Ruler (⇒ 12.5)
- Check routing of perimeter wire; block off areas with excessively steep slope inclinations (⇒ 11.13)
- Contact your STIHL specialist dealer (✘)

Fault:

The robotic mower frequently becomes stuck

Possible cause:

- Cutting height too low
- Drive wheels dirty

- Depressions or obstacles in mowing area

Remedy:

- Increase cutting height (⇒ 9.5)
- Clean drive wheels (⇒ 16.2)
- Fill up holes in mowing area, install no-go areas around obstacles such as exposed roots, remove obstacles (⇒ 12.)

Fault:

The impact sensor is not activated when the robotic mower hits an obstacle

Possible cause:

- Low obstacle (height less than 8 cm)
- The obstacle is not firmly attached to the ground – e.g. fallen fruit or tennis ball

Remedy:

- Remove obstacle or block it off with a no-go area (⇒ 12.9)
- Remove obstacle

Fault:

Driving tracks at edge of mowing area

Possible cause:

- Excessively frequent edge mowing
- Excessive mowing duration
- Starting points in use
- Battery is charged very frequently towards the end of its service life
- Offset drive home (passage) not switched on

Remedy:

- Switch off edge mowing or reduce it to once per week (⇒ 11.13)
- Reduce the mowing duration
- Start all mowing operations at the docking station in suitable mowing areas (⇒ 11.14)

- Replace the battery – observe corresponding recommendation on the display (✘), (⇒ 24.)
- Switch on offset drive home (passage) (⇒ 11.13)

Fault:

Unmown grass at edge of mowing area

Possible cause:

- Edge mowing switched off
- Perimeter wire routed inaccurately
- Grass is out of reach of mowing blade

Remedy:

- Mow the edge once or twice per week (⇒ 11.13)
- Check routing of the perimeter wire (⇒ 11.13), check clearances using the iMOW® Ruler (⇒ 12.5)
- Cut the unmown areas regularly using a suitable grass trimmer

Fault:

No wire signal

Possible cause:

- Docking station switched off – LED does not illuminate
- Docking station not connected to mains supply – LED does not illuminate
- Perimeter wire not connected to docking station – red LED flashes (⇒ 13.1)
- Break in perimeter wire – red LED flashes (⇒ 13.1)
- Robotic mower and docking station are not linked
- Electronics fault – LED flashes SOS (⇒ 13.1)

Remedy:

- Switch on docking station (⇒ 13.1)
- Check power supply to docking station (⇒ 9.8)

- Connect perimeter wire to docking station (⇒ 9.10)
- Find wire break (⇒ 16.7), then repair perimeter wire using wire connectors (⇒ 12.16)
- Link robotic mower and docking station (⇒ 11.16)
- Contact your specialist dealer (✘)

Fault:

LED on the docking station flashes SOS

Possible cause:

- Minimum perimeter wire length not reached
- Electronics fault

Remedy:

- Install AKM 100 (✘)
- Contact your specialist dealer (✘)

Fault:

The robotic mower is not receiving any GPS signal

Possible cause:

- Connection to satellites is currently being established
- 3 or fewer satellites within range
- Machine is in a dead spot

Remedy:

- No further action required; it can take a few minutes for connection to be established
- Avoid or remove obstacles that might be blocking signal (e.g. trees, canopies)

Fault:

The robotic mower cannot establish a mobile radio connection

Possible cause:

- Mowing area is in a dead spot

- Radio module is not activated

Remedy:

- Have radio module checked by a STIHL specialist dealer (✖)

Fault:

The robotic mower cannot be reached using the app

Possible cause:

- Radio module inactive
- Robotic mower is in standby mode
- No Internet connection
- Robotic mower is not associated with correct e-mail address

Remedy:

- The radio module is switched off during linking, then it is reactivated and the robotic mower can be reached again
- Activate robotic mower by pressing button, set "Standard" energy mode (⇒ 11.10)
- Connect machine on which app is installed to Internet
- Correct e-mail address (⇒ 10.)

Fault:

Internal mapping for direct drive home cannot be created

Possible cause:

- Edge following interrupted or aborted, e.g. by an obstacle, machine being lifted
- Incorrect wire routing
- Robotic mower leaving perimeter wire

Remedy:

- Repeat edge following, edge following must be carried out without interruption
- Carry out edge following at a later time
- Correct wire routing

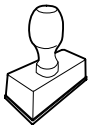
26. Service schedule

26.1 Handover confirmation

Model: _____

Serial number:

Date:



Next service

Date:

26.2 Service confirmation

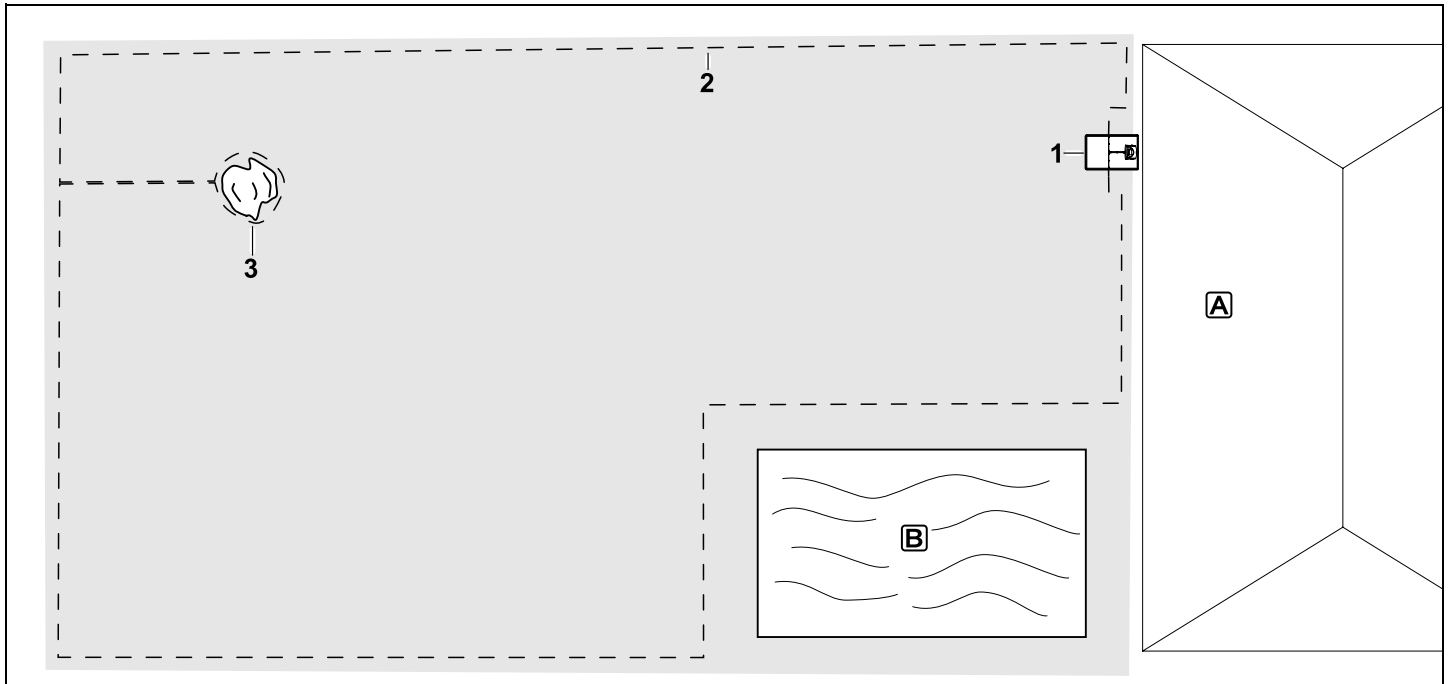


Please hand this instruction manual to your STIHL specialist dealer in the case of maintenance operations. He will confirm the service operations performed in the pre-printed boxes.

Service performed on

Next service date

27. Installation examples



Rectangular mowing area with one tree and swimming pool

Docking station:

Location (1) directly next to the house **A**

No-go area:

Installation around the free-standing tree (3), based on a linking section installed at right angles to the edge.

Pool:

For safety reasons (specified wire clearance), the perimeter wire (2) is routed around the pool **B**.

Wire clearances: (⇒ 12.5)

Clearance to the edge: **28 cm**

Clearance to adjoining area that can be travelled on (e.g. footpath) with a stepped area height of less than +/- 1 cm: **0 cm**

Clearance around the tree: **28 cm**

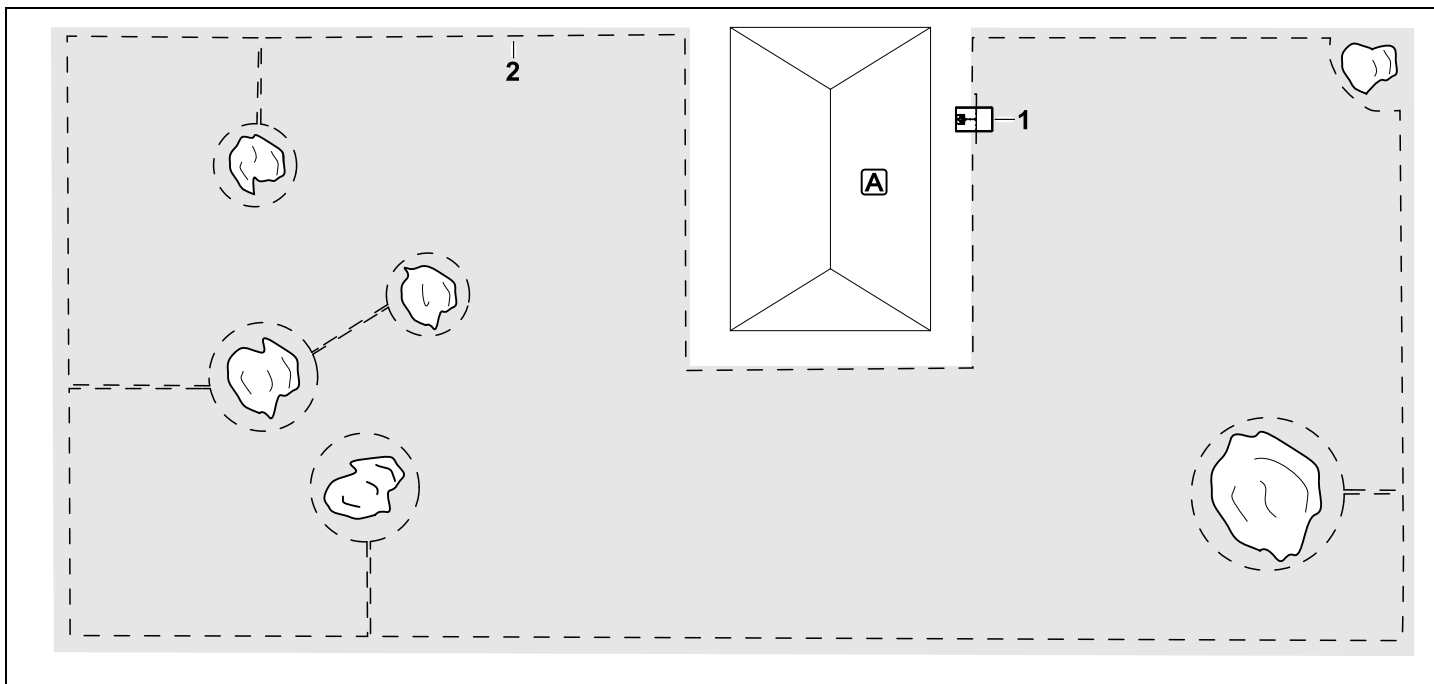
Clearance to the pond: **100 cm**

Programming:

No further adaptation is necessary following definition of the size of the mowing area.

Points to note:

Unmown areas around the swimming pool must be mown manually on a regular basis or cut using a suitable lawn trimmer.



U-shaped mowing area with several free-standing trees

Docking station:

Location (1) directly next to the house **A**

No-go areas:

Installation around the free-standing trees, based on linking sections installed at right angles to the edge (2), two no-go areas are connected via a linking section.

Wire clearances: (⇒ 12.5)

Clearance to the edge: **28 cm**

Clearance to adjoining area that can be travelled on (e.g. footpath) with a stepped area height of less than +/- 1 cm: **0 cm**

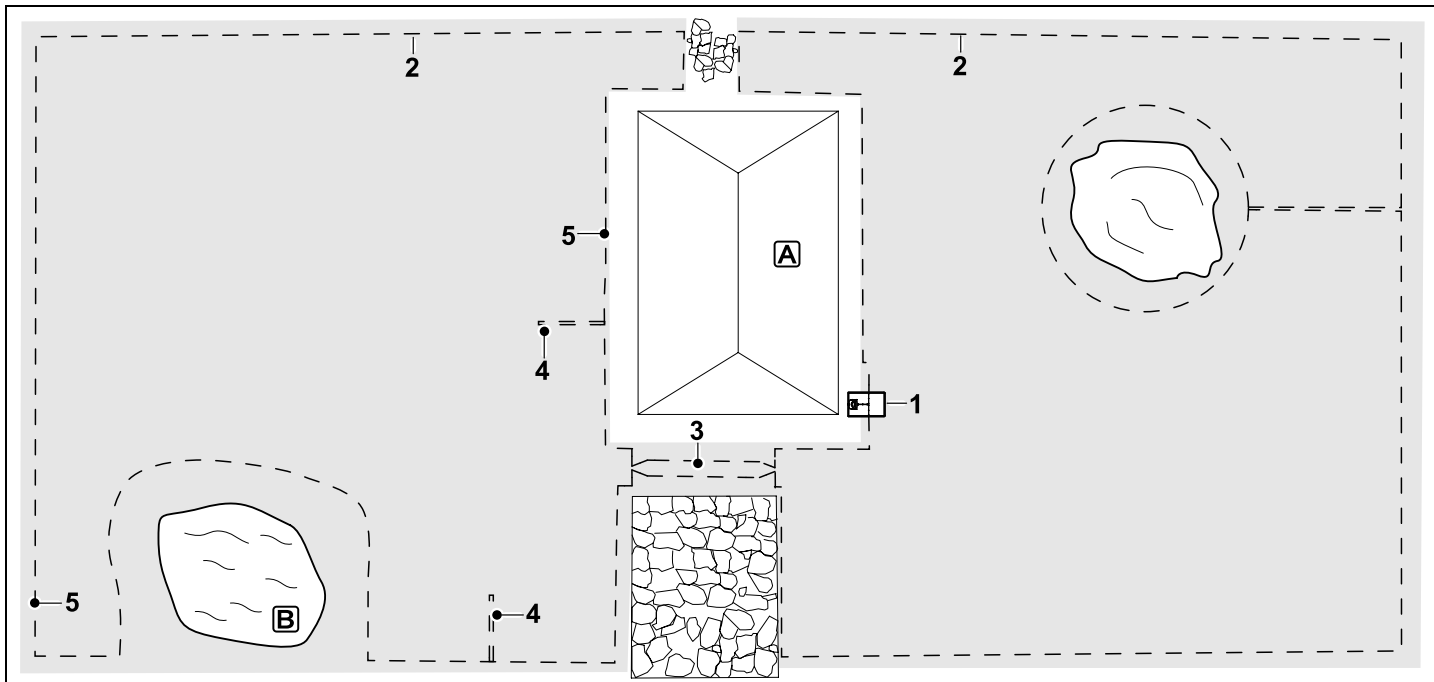
Clearance around the trees: **28 cm**

Programming:

No further adaptation is necessary following definition of the size of the mowing area.

Points to note:

Tree in the corner of the mowing area – mow the area behind the blocked-off tree regularly using a suitable lawn trimmer or leave as a patch of high grass.



Divided mowing area with a pond and a free-standing tree

Docking station:

Location (1) directly next to the house **A**

No-go area:

Installation around the free-standing tree, based on a linking section installed at right angles to the edge.

Pond:

For safety reasons (specified wire clearance), the perimeter wire (2) is routed around the pond **B**.

Wire clearances: (⇒ 12.5)

Clearance to the edge: **28 cm**

Clearance to adjoining area that can be travelled on (e.g. footpath) with a stepped

area height of less than +/- 1 cm: **0 cm**

Around the tree: **28 cm**

Clearance to the pond: **100 cm**

Corridor:

Installation of a corridor (3). Wire clearance: **22 cm** (⇒ 12.11)

Guide loops:

Installation of two guide loops (4) for using the offset drive home function.(⇒ 11.13)

Minimum clearance from the corridor entrance: **2 m**

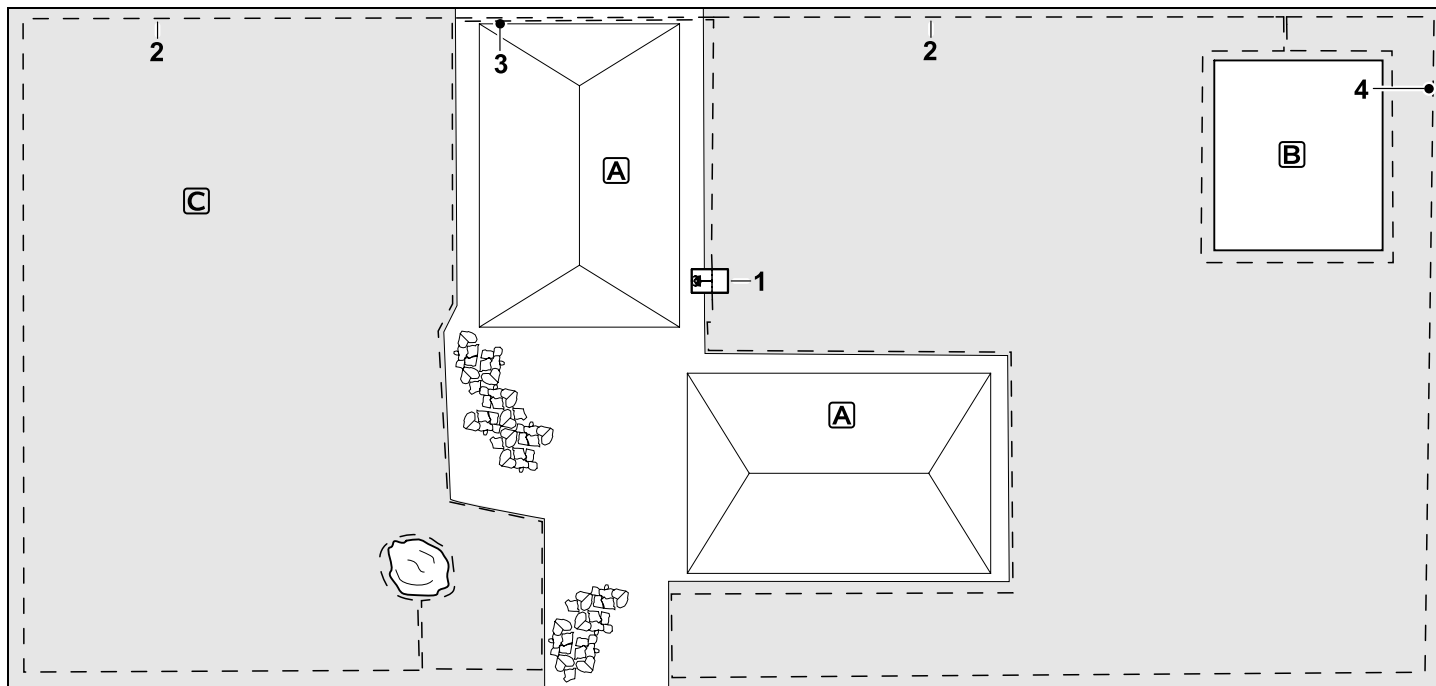
Note the minimum clearance to corners. (⇒ 12.12)

Programming:

Define the total size of the mowing area, program two starting points (5) (close to the docking station and in the contorted corner near the pond) (⇒ 11.14)

Points to note:

Unmown areas, e.g. around the pond must be mown manually on a regular basis or cut using a suitable lawn trimmer.



Divided mowing area – the robotic mower cannot travel independently from one mowing area to the other.

Docking station:

Location (1) directly next to the houses **A**

No-go areas:

Installation around the free-standing tree and around the vegetable patch **B** based on a linking section installed at right angles to the edge.

Wire clearances: (⇒ 12.5)

Clearance to adjoining area that can be travelled on (e.g. patio) with a stepped area height of less than +/- 1 cm: **0 cm**

Clearance to high obstacles: **28 cm**

Clearance to the tree: **28 cm**

Minimum wire clearance in the confined areas behind the vegetable patch: **44 cm**

Secondary area:

Installation of a secondary area **C**, linking section (3) on the patio accommodated in a cable duct.

Programming:

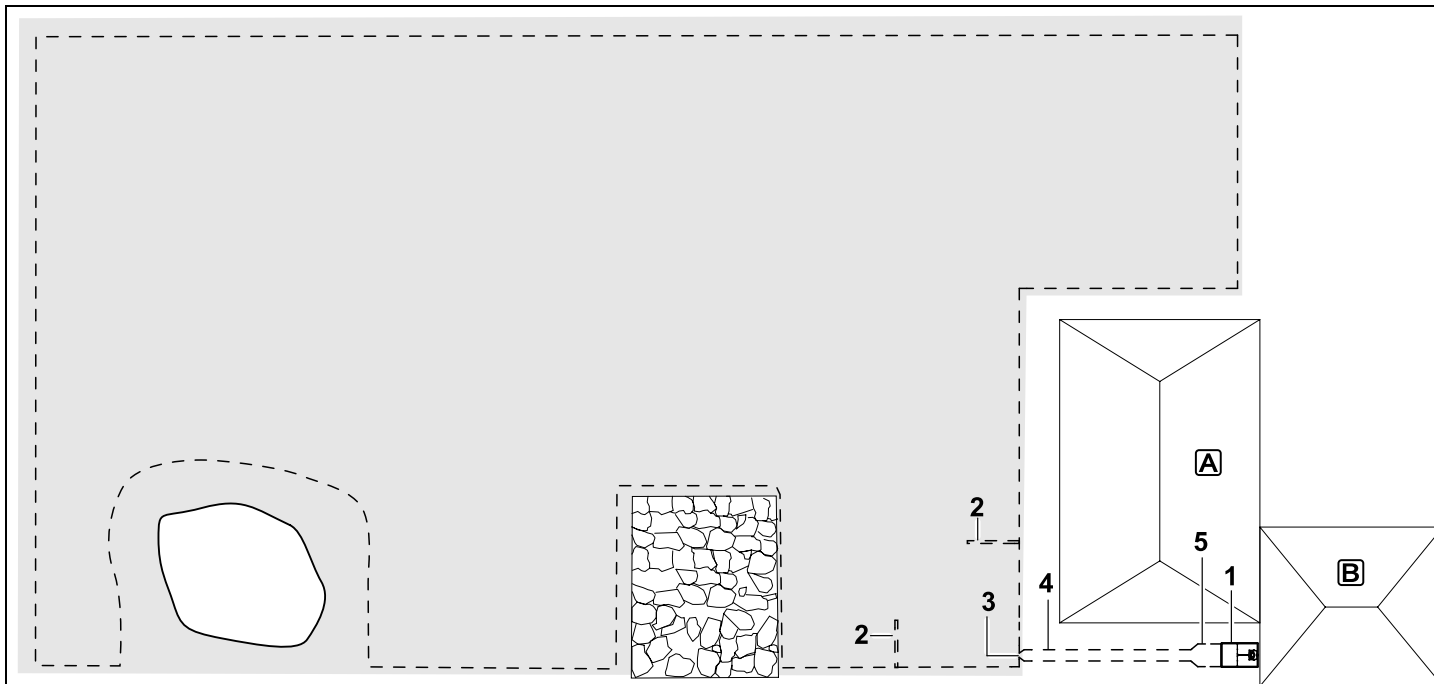
Define the size of the mowing area (without secondary area), program one starting point (4) in the confined area for using the offset drive home function (⇒ 11.13) – starting frequency 2 of 10 operations (⇒ 11.14)

Points to note:

Bring the robotic mower to the secondary area several times per week and activate the "Start" menu. (⇒ 11.5)

Take the mowing performance into account. (⇒ 14.4)

If necessary, install two separate mowing areas with 2 docking stations.



Mowing area with external docking station (1)

Docking station:

Location (1) next to the garage (B) and behind the house (A).

Wire clearances: (⇒ 12.5)

Clearance to the edge: **28 cm**

Clearance to adjoining area that can be travelled on (e.g. patio) with a stepped area height of less than +/- 1 cm: **0 cm**

Clearance to the pond: **100 cm**

Clearance to the pond: **100 cm**

Guide loops:

Installation of two guide loops (2) for using the offset drive home function. (⇒ 11.13)

Minimum distance from the corridor entrance: **2 m**

Minimum distance from the corridor entrance: **2 m**

Note the minimum clearance to corners.

(⇒ 12.12)

Programming:

Define the size of the mowing area and program at least one starting point outside the corridor to the docking station.(⇒ 11.14)

Points to note:

Installation of a corridor (4) with funnel-shaped entrance area (3). (⇒ 12.11)

Wire clearance: 22 cm

The corridor (4) leads to the external docking station (1). Increase the wire clearance in the corridor to the width of the ground plate (5) one metre in front of the docking station. (⇒ 9.1)

Note the space requirement in the corridor and beside the docking station.

28. Open source software

This product contains proprietary open source software published by the respective authors under specific license conditions, such as the "GNU General Public License" (GPL), the "GNU Lesser General Public License" (LGPL), the "Apache License" or similar. Copyright notices, terms of use or license provisions contained in this instruction manual that contradict an applicable open source license shall not apply. The use and distribution of the open source software contained in the product is subject exclusively to the respective open source license. If the applicable license grants you the right to the source code for this

software and/or other additional files, you can obtain it during a period of three years following our final delivery of the product and, if the license conditions require this, for as long as we offer customer support for the product. You can obtain the complete corresponding source code from us by sending an e-mail to oss@stihl.de. If you would like to receive the complete corresponding source code on a physical medium (e.g. a CD-ROM), you will be billed for the costs of physical distribution of the source code. This offer applies to anyone who receives this information.


An up-to-date list of the open source components contained in the product can be found at the following URL:
<http://opensource.stihl.com/>

Distinguido cliente:

Nos alegramos de que se haya decidido por STIHL. Desarrollamos y confeccionamos nuestros productos en primera calidad y con arreglo a las necesidades de nuestros clientes. De esta manera conseguimos elaborar productos altamente fiables incluso en condiciones de esfuerzo extremas.

STIHL también presta un Servicio Postventa de primera calidad. Nuestros comercios especializados garantizan un asesoramiento e instrucciones competentes, así como un amplio asesoramiento técnico.

Le agradecemos su confianza y le deseamos que disfrute de su producto STIHL.



Dr. Nikolas Stihl

IMPORTANTE: LEER ANTES DE USAR Y GUARDAR.

1. Índice

Acerca de este manual de instrucciones	96	Descripción de los símbolos	110
Información general	96	Contenido del suministro	111
Variantes de país	97	Instalación inicial	111
Instrucciones para leer el manual	97	Indicaciones para la estación de carga	115
Descripción del equipo	98	Conexiones de la estación de carga	117
Robot cortacésped	98	Conectar el cable de alimentación a la estación de carga	118
Estación de carga	99	Material de instalación	119
Display	100	Ajustar la altura de corte	119
Cómo trabaja el robot cortacésped	101	Indicaciones para la primera instalación	119
Principio de funcionamiento	101	Ajustar idioma, fecha y hora	120
Dispositivos de seguridad	102	Instalar la estación de carga	120
Tecla STOP	102	Tender el cable delimitador	122
Bloqueo de la máquina	102	Conectar el cable delimitador	125
Cubiertas protectoras	102	Conectar el robot cortacésped y la estación de carga	129
Sensor de impacto	102	Comprobar la instalación	130
Protección contra elevación	103	Programar el robot cortacésped	132
Sensor de inclinación	103	Finalizar la primera instalación	133
Iluminación del display	103	Primer proceso de corte tras finalizar la primera instalación	133
Solicitud PIN	103	Aplicación iMOW®	133
Protector GPS	103	Menú	134
Para su seguridad	103	Instrucciones de manejo	134
Información general	103	Indicador de estado	135
Ropa y equipamiento de trabajo	104	Campo de información	137
Advertencia de peligros causados por la corriente eléctrica	105	Menú principal	137
Batería	106	Inicio	137
Transporte de la máquina	106	Regreso est.	138
Antes de la puesta en servicio	106	Plan de corte	138
Programación	107	Más	139
Durante el servicio	108	Ajustes	139
Mantenimiento y reparaciones	109	Ajustes de la máquina iMOW®	139
Almacenamiento durante largos periodos de inactividad	109		

Ajustar el sensor de lluvia	140	Dur. de corte	158	Declaración de conformidad de la UE para robot cortacésped, de batería y eléctrico con estación de carga	171
Ajustar el indicador de estado	140	Zona de hogar	158	Datos técnicos	171
Instalación	141	Poner el equipo en servicio	158	Mensajes	172
Ajustar los puntos de inicio	142	Preparación	158	Localización de anomalías	180
Regreso directo a la estación	142	Tapa	158	Plan de mantenimiento	185
Seguridad	143	Adaptar la programación	159	Confirmación de entrega	185
Servicio	145	Corte con servicio automático	160	Confirmación de servicio técnico	185
Información	145	Corte independientemente de los tiempos de actividad	160	Ejemplos de instalación	186
Cable delimitador	146	Conectar el robot cortacésped a la estación de carga	160	Software de Open Source	191
Planificar el tendido del cable delimitador	147	Cargar la batería	161		
Preparar un croquis de la superficie a cortar	147	Mantenimiento	162		
Tender el cable delimitador	148	Plan de mantenimiento	162		
Conectar el cable delimitador	148	Limpia la máquina	162		
Distancias del cable – Usar la regla virtual iMOW®	148	Comprobar los límites de desgaste de la cuchilla	163		
Esquinas pronunciadas	150	Desmontar y montar la cuchilla	163		
Pasos estrechos	150	Afilan la cuchilla	164		
Instalar tramos de unión	150	Desmontar y montar el disco de arrastre	164		
Superficies prohibidas	150	Buscar rotura de cable	165		
Superficies contiguas	151	Almacenamiento y parada invernal	166		
Pasillos	152	Desmontaje de la estación de carga	167		
Lazos de búsqueda para el regreso desplazado	153	Piezas de recambio habituales	168		
Corte preciso de bordes	154	Accesorios	168		
Terreno inclinado a lo largo del cable delimitador	155	Reducir el desgaste y prevenir daños	168		
Instalar reservas de cable	155	Protección del medio ambiente	169		
Utilizar conectores de cable	155	Desmontar la batería	169		
Distancias al borde reducidas	156	Transporte	170		
Estación de carga	156	Levantar o sostener la máquina	170		
Mandos de la estación de carga	156	Amarrar la máquina	171		
Indicaciones para cortar	157	Declaración de conformidad	171		
Información general	157				
Mulching	157				
Tiempos de actividad	158				

2. Acerca de este manual de instrucciones

2.1 Información general

Este manual de instrucciones es un **manual original** del fabricante en conformidad con la directiva 2006/42/EC.

STIHL desarrolla continuamente su gama de productos, por lo que nos reservamos el derecho de modificar los componentes suministrados en cuanto a forma, técnica y equipamiento.

Por consiguiente, las indicaciones e ilustraciones contenidas en este manual no constituyen compromiso contractual alguno.

Es posible que en este manual de instrucciones se describan modelos que no están disponibles en todos los países.

Este manual de instrucciones está protegido por derechos de autor. Quedan reservados todos los derechos, sobre todo el derecho a la reproducción, traducción y procesamiento con sistemas electrónicos.

2.2 Variantes de país

STIHL suministra equipos con distintas clavijas e interruptores, dependiendo del mercado de cada país.

Las ilustraciones muestran equipos con euroconectores; la conexión a la red de los equipos con otros modelos de conector se realiza análogamente.

2.3 Instrucciones para leer el manual

Las imágenes y los textos describen determinados pasos para el manejo del equipo.

Todos los símbolos que se encuentran en el equipo se explican en este manual de instrucciones.

Perspectiva:

Perspectiva "izquierda" y "derecha" del manual durante la utilización: con el usuario situado detrás del equipo y mirando en la dirección de desplazamiento hacia delante.

Referencias a capítulos:

Se hace referencia a los capítulos y subcapítulos correspondientes que contienen más información con una flecha. El siguiente ejemplo muestra una referencia a un capítulo: (⇒ 3.)

Identificación de párrafos de texto:

Las instrucciones descritas pueden identificarse como en los siguientes ejemplos.

Pasos de manejo del equipo que requieren la intervención del usuario:

- Afloje el tornillo (1) con un destornillador, accione la palanca (2) ...

Enumeraciones generales:

- Utilización del producto en eventos deportivos o en campeonatos

Texto con significado adicional:

Los fragmentos de texto con un significado adicional tienen asignados uno de los símbolos descritos a continuación para destacarlos en el manual de instrucciones.



¡Peligro!

Riesgo de accidente y de sufrir lesiones personales graves. Es necesario evitar hacer algo o atenerse a un comportamiento determinado.



¡Advertencia!

Peligro de lesiones personales. Es necesario atenerse a un comportamiento determinado para evitar sufrir lesiones personales.



¡Atención!

Es posible evitar daños materiales o lesiones leves comportándose de una manera determinada.



Nota

Información relativa al uso óptimo del equipo evitando posibles manejos erróneos.

Texto con relación a las ilustraciones:

Al inicio del manual de instrucciones se encuentran algunas ilustraciones que son necesarias para el uso del equipo.

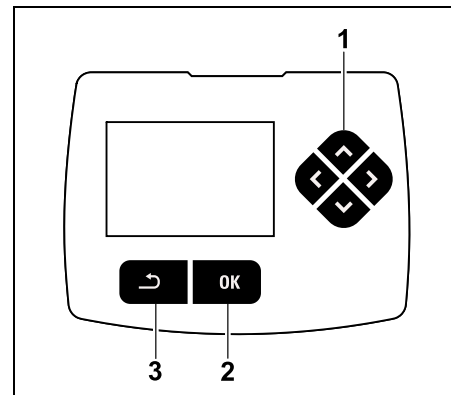
El símbolo de la cámara sirve para vincular las ilustraciones de las diferentes páginas con el texto correspondiente del manual.



Ilustraciones con texto:

Los pasos de manejo en relación directa con las ilustraciones los podrá encontrar inmediatamente a continuación de las mismas junto con las correspondientes cifras de posición de los componentes.

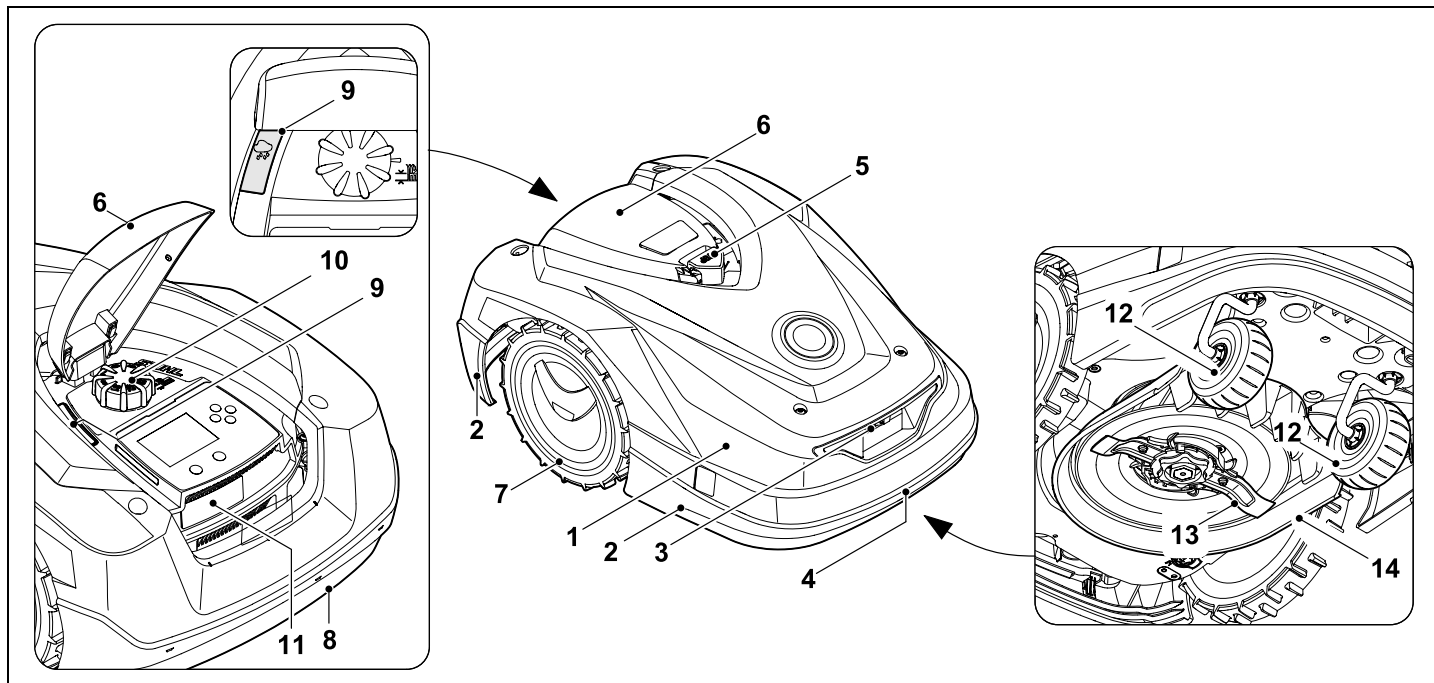
Ejemplo:



El botón multidireccional (1) sirve para navegar por los menús. Con la tecla OK (2) se confirman los ajustes y se abren los menús. Con la tecla Volver (3) se puede salir nuevamente de un menú.

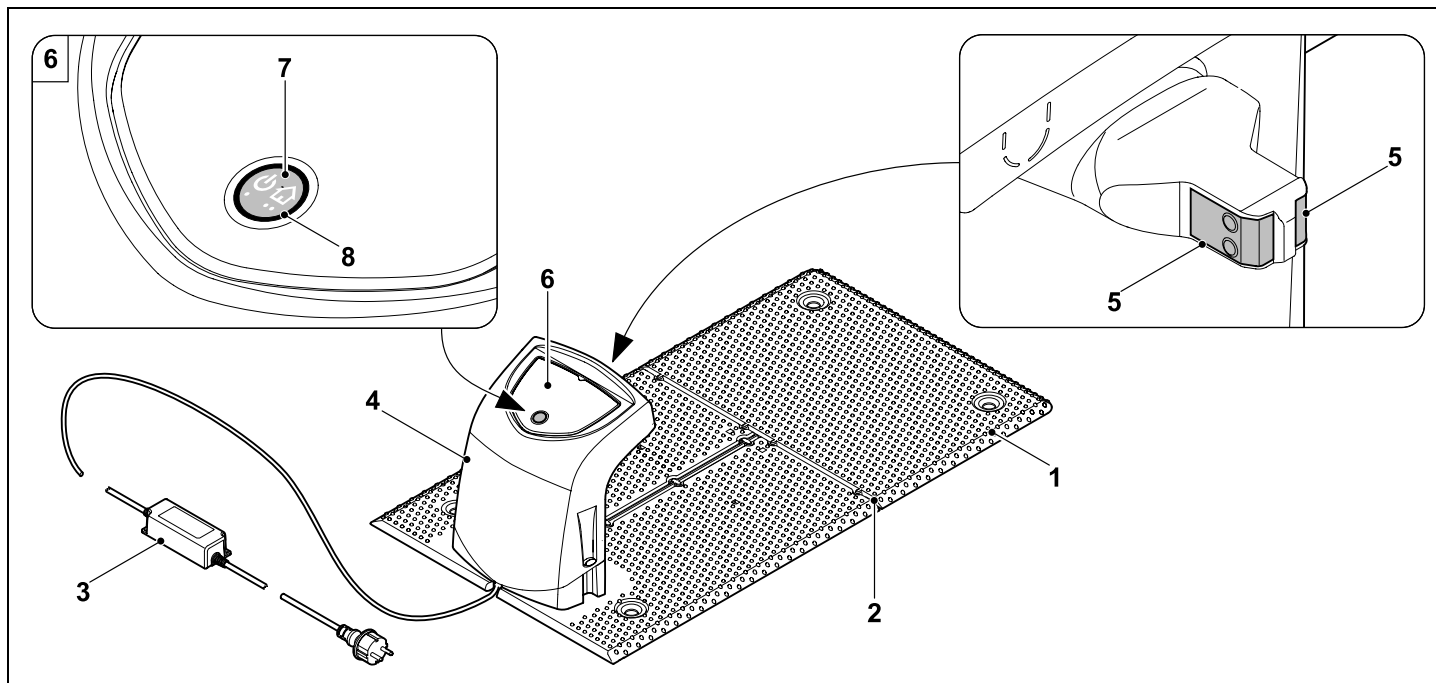
3. Descripción del equipo

3.1 Robot cortacésped



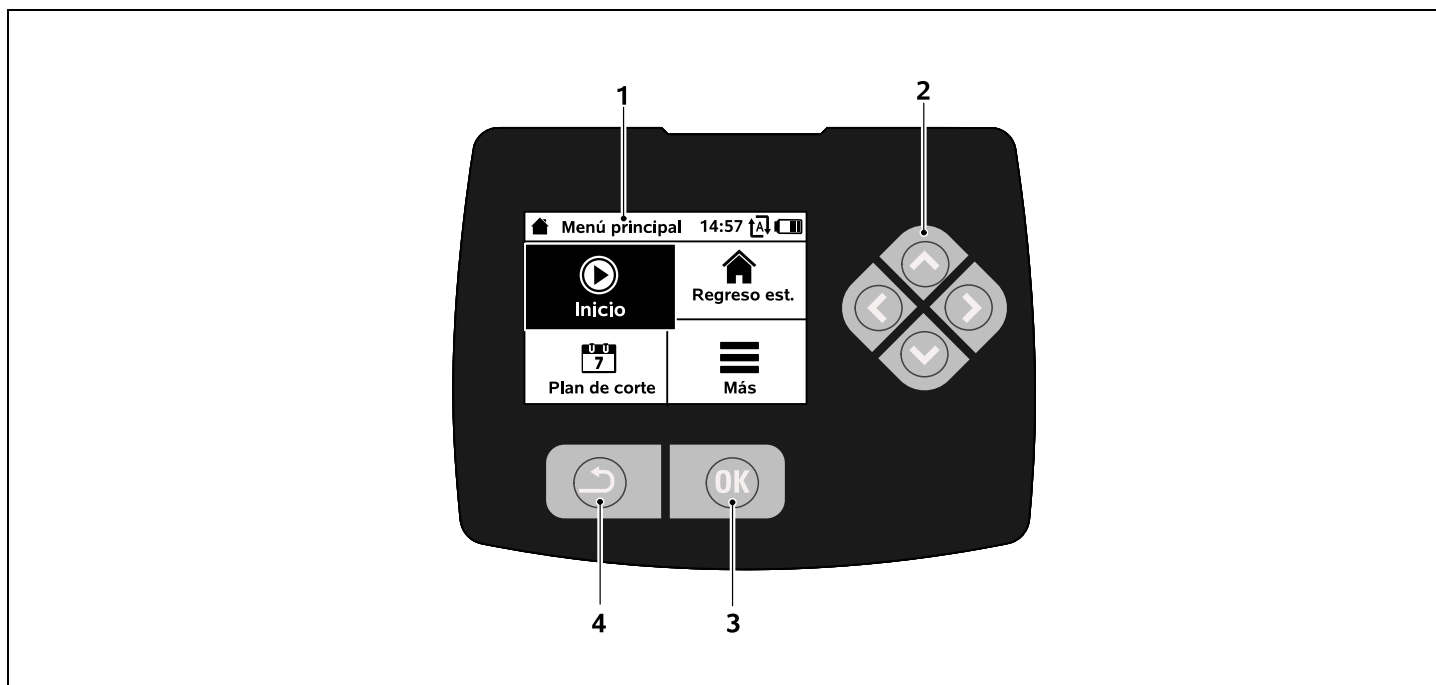
- | | | | |
|---|---|----|---|
| 1 | Capó móvil montado (⇒ 5.4), (⇒ 5.5) | 8 | Asa de transporte trasera (integrada en el capó móvil) (⇒ 21.1) |
| 2 | Moldura protectora | 9 | Sensor de lluvia (⇒ 11.10) |
| 3 | Contactos de carga:
Contactos de conexión a la estación de carga | 10 | Empuñadura giratoria del ajuste de la altura de corte (⇒ 9.5) |
| 4 | Asa de transporte delantera (integrada en el capó móvil) (⇒ 21.1) | 11 | Placa de modelo con número de serie |
| 5 | Tecla STOP (⇒ 5.1) | 12 | Rueda delantera |
| 6 | Tapa (⇒ 15.2) | 13 | Cuchilla afilada por ambos lados (⇒ 16.4) |
| 7 | Rueda motriz | 14 | Equipo de corte |

3.2 Estación de carga



- 1 Placa base
- 2 Guías de cables para colocar el cable delimitador (⇒ 9.10)
- 3 Fuente de alimentación
- 4 Cubierta extraíble (⇒ 9.2)
- 5 Contactos de carga:
Contactos de conexión al robot cortacésped
- 6 Panel de mandos con tecla y LED (⇒ 13.1)
- 7 Tecla
- 8 Indicador LED

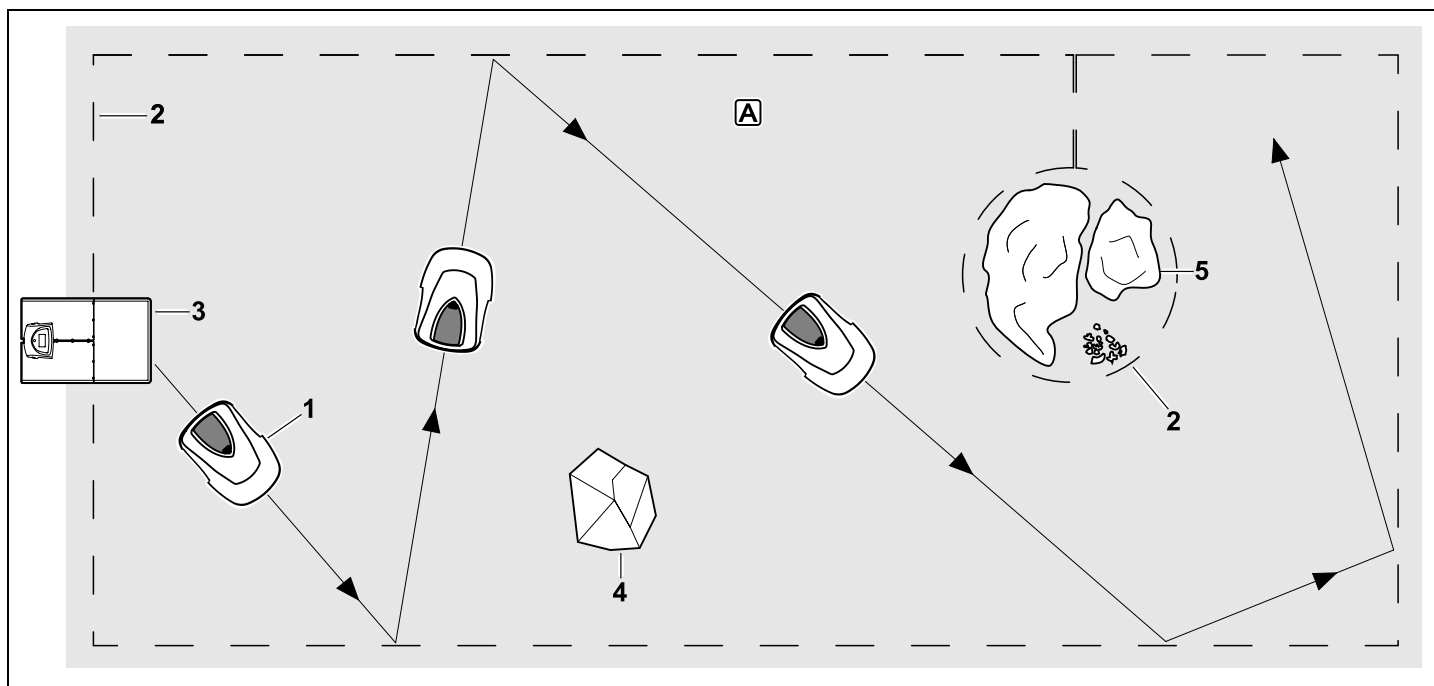
3.3 Display



- 1 Display con capacidad gráfica
- 2 Botón multidireccional:
Navegar en los menús (⇒ 11.1)
- 3 Tecla OK:
Navegar en los menús (⇒ 11.1)
- 4 Tecla Volver:
Navegar en los menús

4. Cómo trabaja el robot cortacésped

4.1 Principio de funcionamiento



El robot cortacésped (1) está concebido para trabajar superficies de césped de forma automática. Corta el césped siguiendo una trayectoria al azar.

Para que el robot cortacésped detecte los límites de la superficie a cortar **A**, se debe colocar un cable delimitador (2) alrededor de esa superficie. Este transmite una señal de cable que emite la estación de carga (3).

Con ayuda de un sensor de impacto, el robot cortacésped puede detectar de forma segura los obstáculos fijos (4) de la superficie a cortar. Las zonas (5) por las que no debe desplazarse el robot cortacésped, y los obstáculos con los que no debe chocar, deben separarse de la superficie a cortar mediante el cable delimitador.

Con el servicio automático conectado, el robot cortacésped abandona la estación de carga de forma autónoma **durante los**

tiempos de actividad (⇒ 14.3) y corta el césped. Para cargar la batería, el robot cortacésped se desplaza automáticamente a la estación de carga. Si se elige el tipo de plan de corte "Estándar", el robot cortacésped corta y se carga durante todo el tiempo de actividad. Si se elige el tipo de plan de corte "Dinámico", el número y la duración de los procesos de corte y de carga incluidos en los tiempos de actividad se adaptan de forma totalmente automática.

Con el servicio automático desconectado y para los procesos de corte **independientes de los tiempos de actividad**, se puede activar un proceso de corte en el menú "Inicio". (⇒ 11.5)



El robot cortacésped STIHL puede accionarse con fiabilidad y estabilidad en proximidad inmediata a otros robots cortacésped. La señal de cable cumple con el

estándar de la EGMF (Asociación Europea de fabricantes de máquinas para el jardín) en lo que respecta a sus emisiones electromagnéticas.

5. Dispositivos de seguridad

El equipo cuenta con varios dispositivos de seguridad para un manejo seguro y para evitar un uso inadecuado.



¡Peligro de lesiones!

Cuando se detecta un defecto en un dispositivo de seguridad, el equipo no debe ser puesto en marcha. Póngase en contacto con un establecimiento especializado; STIHL recomienda los distribuidores especializados STIHL.

5.1 Tecla STOP

Pulsando la tecla STOP roja situada en la parte superior del robot cortacésped, este dejará de funcionar inmediatamente. La cuchilla se detendrá al cabo de unos segundos y en la pantalla aparecerá el mensaje "Tecla STOP accionada". Mientras el mensaje esté activo, el robot

cortacésped no se podrá poner en servicio y se encontrará en estado de servicio seguro. (⇒ 24.)

Con el **servicio automático conectado** y después de confirmarse el mensaje con OK, aparece la pregunta de si se desea que prosiga el servicio automático. Si se responde **Sí**, el robot cortacésped continúa cortando la superficie según el plan de corte.

Si se responde **No**, el robot cortacésped permanece en la superficie a cortar y se desconecta el servicio automático. (⇒ 15.4)



Si se pulsa prolongadamente la tecla STOP, se activa además el bloqueo de la máquina. (⇒ 5.2)



5.2 Bloqueo de la máquina

Antes de cualquier trabajo de mantenimiento y limpieza, así como antes del transporte o la revisión, se debe bloquear el robot cortacésped.



Si el bloqueo de la máquina está activado, no puede ponerse en servicio el robot cortacésped.

Activar el bloqueo de la máquina:

- Pulsar prolongadamente la **tecla STOP**
- en el menú **Más** y
- en el menú **Seguridad**.

Activar el bloqueo de la máquina mediante el menú "Más":

- En el menú "Más", seleccionar la opción "Bloquear robot cortacésped" y confirmar con la tecla OK. (⇒ 11.8)

Activar el bloqueo de la máquina mediante el menú "Seguridad":

- En el menú "Más", abrir el submenú "Ajustes" y "Seguridad". (⇒ 11.16)
- Seleccionar la opción "Bloq. equipo" y confirmar con la tecla OK.

Anular el bloqueo de la máquina:

- En caso necesario, reactivar la máquina pulsando cualquier tecla.
- Desbloquear el robot cortacésped con la combinación de teclas indicada. Para ello se debe pulsar la **Tecla OK** y la **Tecla Volver** en el orden indicado en el display.



5.3 Cubiertas protectoras

El robot cortacésped está equipado con cubiertas protectoras que impiden un contacto involuntario con la cuchilla y con material cortado.

Esta función la realiza especialmente el capó.

5.4 Sensor de impacto

El robot cortacésped está equipado con un capó móvil, que sirve como sensor de impacto. El robot se detiene inmediatamente si, durante el servicio automático, se encuentra con un obstáculo sólido que tiene una cierta altura mínima (8 cm) y está firmemente fijado al suelo. A continuación, cambia de dirección y sigue con el proceso de corte. Si el sensor de impacto se activa demasiadas veces, se detiene también la cuchilla.



El impacto contra un obstáculo se produce con relativa fuerza. Sin embargo, existen obstáculos delicados u objetos ligeros, como maceteros pequeños, que pueden volcarse o dañarse.

STIHL recomienda retirar los obstáculos o acotar las superficies prohibidas. (⇒ 12.9)

5.5 Protección contra elevación

Si se levanta por el capó, el robot cortacésped interrumpe inmediatamente el proceso de corte. La cuchilla se detiene al cabo de pocos segundos.

5.6 Sensor de inclinación

Si durante el funcionamiento se supera la pendiente permitida, el robot cortacésped modifica inmediatamente la dirección de marcha. En caso de vuelco, se desactivan la tracción a las ruedas y el motor de corte.

5.7 Iluminación del display

Durante el funcionamiento se activa la iluminación del display. La luz permite que el robot cortacésped se pueda reconocer bien en la oscuridad.

5.8 Solicitud PIN

Si la solicitud del PIN está activada, al levantarse el robot cortacésped suena una señal de alarma si no se introduce el código PIN en el intervalo de un minuto. (⇒ 11.16)

El robot cortacésped puede manejarse exclusivamente junto con la estación de carga suministrada. Si se desea utilizar una segunda estación, esta deberá conectarse al robot cortacésped. (⇒ 11.16)



STIHL recomienda ajustar uno de los **niveles de seguridad** "Baja", "Media" o "Alta". De ese modo se garantiza que ninguna persona no autorizada pueda poner en marcha el robot cortacésped con otras estaciones de carga, o modificar los ajustes o la programación.

5.9 Protector GPS

El robot cortacésped viene equipado con un receptor GPS. Si el protector GPS está activado, el propietario de la máquina es informado cuando esta se pone en servicio fuera de la zona de hogar. En el display se pide además que se ingrese el código PIN. (⇒ 14.5)



Recomendación:
Activar siempre el protector GPS. (⇒ 11.16)

6. Para su seguridad

6.1 Información general



Al trabajar con el equipo, el cumplimiento de estas prescripciones preventivas de accidentes es imprescindible.



Antes de la primera puesta en servicio hay que leer atentamente el manual de

instrucciones completo. Conserve cuidadosamente el manual de instrucciones para su uso posterior.

Estas medidas de precaución son una garantía para su seguridad. No obstante, esta enumeración no es concluyente. Utilice el equipo siempre con sentido común y de forma responsable y tenga en cuenta que el usuario es el responsable en caso de accidentes que afecten a terceras personas o a sus propiedades.

El término "Utilizar" abarca todos los trabajos que se realizan en el robot cortacésped, la estación de carga y el cable delimitador.

Se define como "Usuario":

- Una persona que reprograma el robot cortacésped o modifica la programación existente.
- Una persona que realiza trabajos en el robot cortacésped.
- Una persona que pone en servicio o activa la máquina.
- Una persona que instala o desinstala el cable delimitador o la estación de carga.

El uso de la **aplicación iMOW®** también está incluido en el término "Utilizar" contemplado en este manual de instrucciones.

Sólo utilice el equipo descansado y en perfecto estado físico y psíquico. Si padece algún trastorno de salud, debería consultar con su médico para ver si puede trabajar con el equipo. No se deberá trabajar con el equipo después de tomar alcohol, drogas o medicamentos que afecten a la capacidad de reacción.

Familiarícese con los elementos de mando y con el uso apropiado del equipo.

El equipo solo debe ser utilizado por personas que hayan leído el manual de instrucciones y estén familiarizadas con la manipulación del equipo. Antes de la primera puesta en servicio, el usuario debe preocuparse de recibir indicaciones técnicas y prácticas por personas especializadas. El vendedor u otro experto debe aclarar al usuario cómo debe utilizarse el equipo.

En esta instrucción, se debería poner en conocimiento del usuario que para trabajar con el equipo son necesarias atención y una concentración máxima.

Aun cuando utilice este equipo conforme a las normas, siempre persisten algunos riesgos.



¡Peligro de muerte por asfixia!

Peligro de asfixia para los niños al jugar con el material de embalaje. Mantener el material de embalaje fuera del alcance de los niños.

Ceda o preste el equipo solamente a personas que estén familiarizadas con el uso de este modelo y con su manejo. El manual de instrucciones es parte del equipo y debe entregarse siempre junto con el equipo.

Hay que cerciorarse de que el usuario esté capacitado en sentido corporal, sensorial y mental para manejar el equipo y trabajar con él. Si el usuario está capacitado para ello solo de forma limitada, podrá trabajar únicamente bajo supervisión o tras haber sido instruido por una persona responsable.

Hay que cerciorarse de que el usuario sea mayor de edad o esté recibiendo una formación profesional bajo supervisión, conforme a las disposiciones nacionales.



Atención: ¡peligro de accidente!



Los niños deben mantenerse alejados del equipo y de la superficie a cortar mientras se esté cortando el césped.



Perros y otras mascotas deben mantenerse alejados del equipo y de la superficie a cortar mientras se esté cortando el césped.

Por motivos de seguridad se prohíbe toda modificación en el equipo (excepto el montaje correcto de accesorios y acoples autorizados por STIHL), y ello conlleva además la pérdida de los derechos de garantía. En su Distribuidor especializado STIHL encontrará más información sobre accesorios y acoples autorizados.

De manera particular, está prohibido realizar cualquier tipo de modificación en el equipo con el fin de aumentar la potencia o la velocidad de los motores eléctricos.

En el equipo no debe realizarse ninguna modificación que provoque un aumento de la emisión de ruidos.

Por motivos de seguridad, no se debe modificar ni manipular nunca el software del equipo.

Debe tenerse un especial cuidado al utilizar el equipo en zonas públicas, parques, instalaciones deportivas, vías públicas y en explotaciones agrícolas y forestales.

No está permitido transportar objetos, animales o personas, especialmente niños, con el equipo.

Nunca permita que personas, especialmente niños, se suban con usted ni se sienten en el robot cortacésped.

Atención: ¡peligro de accidente!

El robot cortacésped está concebido para el cuidado automático del césped. Cualquier otro uso no está autorizado y podría ser peligroso o causar daños a la máquina.

Para evitar que el usuario ponga en peligro su integridad física, la máquina no se puede usar para los siguientes trabajos (esta relación es orientativa):

- para recortar matorrales, setos y arbustos,
- para cortar plantas trepadoras,
- para el cuidado del césped en azoteas y balcones,
- para triturar y desmenuzar restos de poda de árboles y setos,
- para la limpieza de caminos (aspiración, soplado),
- para nivelar elevaciones del terreno como, por ejemplo, toperas.

6.2 Ropa y equipamiento de trabajo



Lleve calzado resistente con suela antideslizante y no trabaje nunca con los pies descalzos ni con sandalias, por ejemplo,

- si se acerca al robot cortacésped mientras está funcionando.



Durante la instalación, al realizar trabajos de mantenimiento y cualquier otro trabajo en la máquina y en la estación de carga, es necesario vestir ropa de trabajo adecuada.

Nunca lleve puesta ropa holgada que pudiera quedar enganchada en los componentes móviles; tampoco lleve joyas o bisutería, corbatas o bufandas.

Especialmente, lleve pantalones largos

- si se acerca al robot cortacésped mientras está funcionando.



Al realizar trabajos de mantenimiento, limpieza y tendido de cable (tender cable y quitarlo otra vez), así como al fijar la estación de carga, hay que llevar siempre guantes resistentes. Es necesario protegerse las manos, especialmente al realizar trabajos en la cuchilla y al clavar las piquetas y los pasadores de fijación de la estación de carga.

Para todos los trabajos en el equipo debe recogerse el pelo largo y asegurarlo (pañuelo, gorra, etc.).



Es necesario utilizar gafas de protección adecuadas al clavar las piquetas y los pasadores de fijación de la estación de carga.

6.3 Advertencia de peligros causados por la corriente eléctrica



¡Atención: Peligro de electrocución!

Para la seguridad eléctrica es especialmente importante que el cable de red y el enchufe de red, estén intactos. Para evitar el riesgo de una descarga eléctrica no deben emplearse cables, conectores ni enchufes dañados, ni cables de conexión que no cumplan los requisitos de las especificaciones.



El cable de conexión debe comprobarse periódicamente para detectar cualquier tipo de deterioro o desgaste.

Sólo se debe utilizar la fuente de alimentación original.

La fuente de alimentación no se debe utilizar

- si está dañada o desgastada,
- o si hay cables dañados o desgastados. De forma especial debe comprobarse la existencia de daños en el cable de conexión a la red y su envejecimiento.

Los trabajos de mantenimiento y reparación en cables de red y fuentes de alimentación sólo deben ser realizados por técnicos especialmente instruidos.

¡Peligro de descarga eléctrica!

No conecte un cable dañado a la red eléctrica y toque únicamente un cable en mal estado cuando éste esté desconectado de la red.

Los cables de conexión de la fuente de alimentación no se deben modificar (p. ej. acortarse). El cable entre la fuente de alimentación y la estación de carga no se puede prolongar.

Solo un enchufe de fuente de alimentación que esté seco y limpio debe conectarse al sistema electrónico de la estación de carga.

No colocar la fuente de alimentación y el cable permanentemente sobre una superficie mojada.

¡Peligro de descarga eléctrica!

No utilice cables, enchufes hembra ni clavijas que presenten daños, ni tampoco cables de conexión que no cumplan las normas.

Asegúrese siempre de que las líneas eléctricas estén protegidas suficientemente.

Desconecte el cable de conexión tirando de las clavijas, no de los cables.

Conecte el equipo sólo a una alimentación de corriente protegida mediante un diferencial de seguridad con una corriente disparadora de 30 mA como máximo. Para más información, consulte a un electricista.

Si la fuente de alimentación se conecta a un enchufe que se encuentra fuera de un edificio, el enchufe deberá estar homologado para el uso en exteriores. El electricista le facilitará más detalles sobre las normativas específicas del país.

Si se conecta el equipo a un generador eléctrico debe tenerse en cuenta que las fluctuaciones de corriente pueden dañarlo.

6.4 Batería

Sólo se deben utilizar baterías originales.

La batería está concebida exclusivamente para montarse de forma fija en un robot cortacésped STIHL, donde está perfectamente protegida y se carga cuando el robot cortacésped se encuentra en la estación de carga. No se puede utilizar un cargador diferente. La utilización de un cargador inadecuado puede provocar descargas eléctricas, sobrecalentamiento o el derrame del líquido fuera de la batería.

No abrir nunca la batería.

Evitar cualquier caída de la batería.

No utilizar baterías defectuosas o deformadas.

Guardar la batería fuera del alcance de los niños.



¡Peligro de explosión!

Proteger la batería de la irradiación solar directa, el calor excesivo y el fuego; no arrojarla jamás al fuego.



Utilizar y guardar la batería solo en un rango de temperatura entre -10 °C y +50 °C.



Proteger la batería de la lluvia y la humedad; no sumergirla en ningún líquido.



No exponer la batería a microondas o altas presiones.

No unir (cortocircuitar) nunca los contactos de la batería con objetos metálicos. La batería puede resultar dañada por un cortocircuito.

Mantener cualquier batería sin utilizar lejos de objetos metálicos (p. ej. clavos, monedas, adornos). No utilizar contenedores de transporte metálicos.

¡Peligro de explosión e incendio!

Un uso inadecuado puede provocar el derrame del líquido fuera de la batería. ¡Evitar cualquier contacto! En caso de un contacto accidental, enjuagar con agua abundante la parte afectada. Si el líquido entra en los ojos, acudir a un médico. El líquido de la batería derramado puede producir irritación en la piel, quemaduras y abrasión.

No introduzca ningún objeto en las ranuras de ventilación del acumulador.

Ver indicaciones de seguridad adicionales en <http://www.stihl.com/safety-data-sheets>

6.5 Transporte de la máquina

Activar el bloqueo de la máquina (Bloq. equipo) antes de transportar y especialmente antes de levantar el robot cortacésped. (⇒ 5.2)

Deje que el equipo se enfríe antes de transportarlo.

Evitar el contacto con la cuchilla al elevar y transportar la máquina. El robot cortacésped solo se puede levantar por las dos asas de transporte. No meter las manos nunca debajo de la máquina.

Tener en cuenta el peso de la máquina y utilizar medios auxiliares de carga adecuados (mecanismos de elevación) en caso necesario.

Fije el equipo y las piezas del equipo que se transporten (p. ej. la estación de carga) a la superficie de carga con medios de sujeción suficientes y adecuados (correas,

cuerdas, etc.), utilizando los puntos de fijación descritos en este manual de instrucciones. (⇒ 21.)

Para el transporte del equipo observe las normativas legales regionales, en especial las que atañen al aseguramiento de la carga y al transporte de objetos en superficies de carga.

No dejar la batería en el vehículo y no exponerla jamás a la irradiación solar directa.

Las baterías de litio-ión deben tratarse con sumo cuidado durante el transporte, y debe evitarse especialmente el riesgo de cortocircuitos. Transportar la batería solo dentro del robot cortacésped.

6.6 Antes de la puesta en servicio

Debe garantizarse que sólo utilicen el equipo personas que conozcan el manual de instrucciones.

Siga las instrucciones de instalación de la estación de carga (⇒ 9.1) y el cable delimitador (⇒ 12.).

El cable delimitador y el cable de red deben quedar firmemente fijados al suelo para evitar el riesgo de tropezar con ellos. Debe evitarse tender el cable delimitador y el cable de red por encima de bordes (p. ej., bordillos de aceras o superficies adoquinadas). Si se tienden los cables por el suelo (p. ej., por superficies adoquinadas o aceras) en lugares en que no pueden clavarse las piquetas suministradas, debe utilizarse un canal para cables.

Se debe comprobar que el cable delimitador y el cable de red se han tendido correctamente.

Clavar siempre las piquetas por completo para evitar el riesgo de que alguien pueda tropezar con ellas.

No instale la estación de carga en lugares de poca visibilidad en los que pueda existir el riesgo de que alguien tropiece con ella (p. ej., detrás de las esquinas de la casa).

La estación de carga debe instalarse lo más fuera posible del alcance de animales como, por ejemplo, hormigas o caracoles. Deben evitarse especialmente las zonas de hormigueros y de compostaje.

Las zonas por las que no puede desplazarse el robot cortacésped (p.ej., debido a un riesgo de caída) deben acotarse tendiendo el cable delimitador correspondientemente.

STIHL recomienda poner el robot cortacésped en servicio únicamente en superficies de césped y caminos afirmados (p. ej., entradas adoquinadas).

El robot cortacésped no detecta puntos que pudieran provocar una caída como bordes, escalones, piscinas o estanques. Si el cable delimitador se tiende a lo largo de estos puntos de riesgo de caída, por motivos de seguridad se debe mantener una distancia entre el cable delimitador y el punto de peligro de más de **1 m**.

Revise con regularidad el terreno en el que va a utilizar el equipo, retire todas las piedras, palos, alambres, huesos y cualquier otro objeto extraño que pudiera ser proyectado hacia arriba por el equipo. Después de instalar el cable delimitador, retire de la superficie a cortar especialmente todas las herramientas. Se deben retirar del césped y desechar las piquetas rotas o dañadas.

Compruebe regularmente la existencia de irregularidades en la superficie a segar y retírelas.

Jamás utilice el equipo cuando los dispositivos de protección estén dañados o no estén montados.

Los dispositivos de seguridad y de mando instalados en el equipo por el fabricante no deben retirarse ni anularse.

Antes de utilizar la máquina deben sustituirse las piezas defectuosas, desgastadas y dañadas. Deberán sustituirse las indicaciones de peligro y advertencia de la máquina que sean ilegibles o estén dañadas. Su distribuidor especializado STIHL tiene a su disposición adhesivos de repuesto y todas las demás piezas de recambio.



¡Peligro de lesiones!

Las piezas desgastadas o dañadas (p. ej., cuchillas desafiladas) pueden afectar a la seguridad de la máquina y causar lesiones al usuario.

Comprobar antes de la puesta en servicio:

- si el equipo se encuentra en un estado seguro de funcionamiento. Esto significa que las cubiertas, los dispositivos de protección y la tapa se encuentran en su posición de montaje y en perfecto estado.
- si la estación de carga se encuentra en un estado seguro de funcionamiento. Para ello, todas las cubiertas tienen que estar montadas correctamente y encontrarse en perfecto estado.
- que la conexión eléctrica de la fuente de alimentación se realice en un enchufe instalado correctamente.
- que el aislamiento del cable de conexión y del enchufe de red de la fuente de alimentación estén en perfecto estado.

- que no haya componentes del equipo (carcasa, capó, tapa, elementos de fijación, cuchilla, eje de cuchilla, etc.) desgastados o dañados.
- si la cuchilla y su fijación están en perfecto estado (fijación correcta, daños, desgaste). (⇒ 16.3)
- que todos los tornillos, tuercas y el resto de los elementos de fijación estén montados y apretados firmemente. Apretar los tornillos y tuercas que se hayan aflojado antes de la puesta en servicio (prestar atención a los pares de apriete).

En caso necesario, realice todos los trabajos pertinentes o acuda a un establecimiento especializado. STIHL recomienda los distribuidores especializados STIHL.

6.7 Programación

Respete las normas locales relativas a los horarios de trabajo de equipos de jardinería con motor eléctrico y programe los tiempos de actividad correspondientemente. (⇒ 14.3)

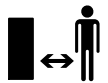
Especialmente se debe adaptar la programación para asegurarse de que durante el funcionamiento del robot cortacésped no haya niños, adultos ni animales en la superficie que se vaya a segar.

El cambio de la programación mediante la **aplicación iMOW®** puede dar lugar a actividades inesperadas para otras personas. Por esta razón, es necesario notificar de antemano cualquier cambio del plan de corte a todas las personas afectadas.

El robot cortacésped no debe utilizarse al mismo tiempo que un sistema de riego, por lo que se debe ajustar la programación correspondientemente.

Asegúrese de que en el robot cortacésped se hayan ajustado correctamente la fecha y la hora. Corrija los ajustes en caso necesario. Valores erróneos pueden conllevar una puesta en servicio accidental del robot cortacésped.

6.8 Durante el servicio



Mantenga alejadas a terceras personas, especialmente a niños y animales.

Nunca permita que los niños se acerquen o jueguen con el robot cortacésped mientras esté funcionando.

El inicio de un proceso de corte mediante la **aplicación iMOW®** puede resultar inesperado para otras personas. Por esta razón, hay que informar de antemano a las personas afectadas sobre una posible actividad del robot cortacésped.

No deje nunca el robot cortacésped funcionando cuando se encuentren cerca de él animales o personas (especialmente niños).

Si se utiliza el robot cortacésped en lugares públicos, hay que colocar rótulos alrededor de la superficie a cortar con la siguiente indicación:

"¡Advertencia! ¡Cortacésped automático!
¡Manténgase alejado de la máquina! ¡Los niños deben ser supervisados!"



Atención: ¡peligro de lesiones!

No poner jamás las manos ni

los pies al lado o debajo de elementos en rotación. No tocar nunca la cuchilla en funcionamiento.

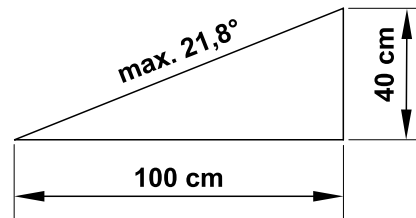
En caso de tormenta o cuando haya peligro de rayos, separar la fuente de alimentación de la red eléctrica. En tales casos no puede ponerse en funcionamiento el robot cortacésped.

El robot cortacésped no se puede volcar ni levantar nunca con el motor eléctrico en marcha.

Nunca intente realizar ajustes en el equipo mientras haya algún motor eléctrico en marcha.

Por motivos de seguridad, la máquina no debe utilizarse en pendientes con un grado de inclinación superior a 21,8° (40 %).

¡Peligro de lesiones! Un 21,8° de inclinación se corresponde con una subida vertical de 40 cm en una longitud horizontal de 100 cm.



Preste atención a la inercia de la herramienta de corte, que seguirá girando algunos segundos antes de pararse.

Durante el funcionamiento, pulse la **tecla STOP** (⇒ 5.1),

– antes de abrir la tapa.

Activar el **bloqueo de la máquina (Bloq. equipo)** (⇒ 5.2),

– antes de levantar y cargar la máquina,
– antes transportar la máquina,

- antes de eliminar atascos u obstrucciones,
- antes de realizar trabajos en la cuchilla,
- antes de comprobar o limpiar la máquina,
- si se ha chocado contra un objeto extraño o si el robot cortacésped vibrara con excesiva intensidad. En tales casos, hay que comprobar si se ha producido algún daño en la máquina, especialmente en la unidad de corte (cuchilla, eje de cuchillas, fijación de la cuchilla), y realizar las reparaciones necesarias antes de ponerla otra vez en marcha para trabajar con ella.



¡Peligro de lesiones!

Por regla general, la aparición de fuertes vibraciones es indicio de una avería.

En particular, el robot cortacésped no debe ponerse en marcha con un eje de cuchillas dañado o deformado o con una cuchilla dañada o doblada.

Si uno no cuenta con los conocimientos necesarios, hay que encargar las reparaciones a una persona experta (STIHL recomienda los distribuidores especializados STIHL).

Antes de abandonar el robot cortacésped se deben adaptar los ajustes de seguridad de este, de forma que no pueda ponerlo en marcha ninguna persona no autorizada. (⇒ 5.)

Al manejar la máquina y sus dispositivos periféricos, no se incline hacia delante, mantenga siempre el equilibrio y una posición segura en las pendientes, camine siempre y no corra.

La máquina no debe funcionar nunca al lado de llamas abiertas.

6.9 Mantenimiento y reparaciones

Antes de realizar trabajos de limpieza, reparación y mantenimiento, activar el bloqueo de la máquina (Bloq. equipo) y colocar el robot cortacésped en una superficie firme y plana.



Antes de realizar trabajos en la estación de carga y en el cable delimitador, extraer el enchufe de la red.



Antes de todos los trabajos de mantenimiento, dejar enfriar el robot cortacésped durante unos 5 minutos.

El cable de la conexión a la red sólo debe ser reparado o sustituido por un electricista autorizado.

Después de realizar todos los trabajos en el robot cortacésped y antes de ponerlo en servicio otra vez, debe comprobarse su programación y corregirse en caso necesario. Deben ajustarse especialmente la fecha y la hora.

Limpieza:

El equipo debe limpiarse a fondo y por completo en intervalos regulares. (⇒ 16.2)

No proyectar nunca chorros de agua (especialmente hidrolimpiadora) sobre piezas del motor, juntas, componentes eléctricos y cojinetes. Podrían producirse daños y costosas reparaciones. La máquina no debe limpiarse nunca bajo agua corriente (p.ej., con una manguera de jardín). No utilizar productos de limpieza agresivos. Pueden dañar el

plástico y el metal, lo que podría afectar al funcionamiento seguro de su máquina STIHL.

Trabajos de mantenimiento:

Solo pueden realizarse los trabajos de mantenimiento descritos en este Manual de instrucciones; todos los demás trabajos deben ser realizados por un distribuidor especializado.

En caso de que no disponga de los conocimientos y de los medios auxiliares necesarios, póngase **siempre** en contacto con un distribuidor especializado.

STIHL recomienda la realización de los trabajos de mantenimiento y reparación exclusivamente por el servicio técnico de un distribuidor especializado STIHL. Los distribuidores especializados STIHL reciben formación e información técnica regularmente.

Utilice únicamente herramientas, accesorios o acoples que estén autorizados por STIHL para este equipo o piezas técnicamente equivalentes. En caso contrario, existe riesgo de accidentes con lesiones personales o daños en el equipo. En caso de dudas debería dirigirse a un establecimiento especializado.

En lo que respecta a sus características, las herramientas, accesorios y piezas de recambio originales STIHL están adaptadas de forma óptima al equipo y a las necesidades del usuario. Los recambios originales STIHL se reconocen mediante la referencia de recambio STIHL, el logotipo STIHL y en tal caso por el identificativo de recambio STIHL. En las piezas más pequeñas es posible que solamente esté presente este identificativo.

Mantenga los adhesivos de advertencia e indicación siempre limpios y legibles. Debe sustituir los adhesivos dañados o ausentes por nuevos adhesivos originales que su distribuidor especializado STIHL le ponga a disposición. Si un componente se sustituye por otro nuevo, asegúrese que el nuevo componente disponga de los mismos adhesivos.

Los trabajos en la unidad de corte solo deben realizarse con guantes protectores y tomando especiales medidas de precaución.

Mantenga firmemente apretados todos los tornillos y tuercas, especialmente todos los tornillos y elementos de fijación de la unidad de corte, para que el equipo se encuentre en condiciones de funcionamiento seguras.

Revise la presencia de desgaste y daños en el equipo regularmente, especialmente antes de almacenar el equipo (p. ej. antes de la pausa invernal). Por motivos de seguridad, las piezas desgastadas o dañadas deben ser sustituidas inmediatamente para que el equipo se encuentre siempre en un estado de funcionamiento seguro.

En caso de que para los trabajos de mantenimiento se deban retirar componentes o dispositivos de protección, es necesario volver a colocarlos inmediatamente después de forma correcta.

6.10 Almacenamiento durante largos periodos de inactividad

Antes del almacenar la máquina,

- cargar el acumulador, (⇒ 15.7)

- ajustar el máximo nivel de seguridad, (⇒ 11.16)
- colocar el robot cortacésped en el modo de parada invernal. (⇒ 11.17)

Asegúrese de que el equipo no pueda ser utilizado por personas no autorizadas (p. ej. niños).

El equipo debe guardarse en condiciones de servicio seguras.

Limpia a fondo el equipo antes de su almacenamiento (p. ej. en invierno).

Deje que el equipo se enfríe unos 5 minutos antes de guardarlo en un lugar cerrado.

La zona de almacenamiento debe estar seca, estar protegida contra heladas y poder cerrarse.

No dejar nunca el equipo cerca de un fuego directo o fuentes de calor intenso (p. ej. un horno).

6.11 Eliminación

Los productos desechables pueden ser perjudiciales para las personas, los animales y el medio ambiente y, por tanto, deben eliminarse correctamente.

Póngase en contacto con su centro de reciclado o su establecimiento especializado para recibir información sobre cómo eliminar los productos desechables de forma correcta. STIHL recomienda los distribuidores especializados STIHL.

Asegúrese de que la máquina vieja se desee correctamente. Inutilizar la máquina antes de desecharla. Para prevenir accidentes, retirar especialmente el cable de red y la batería del robot cortacésped.

¡Peligro de lesiones por la cuchilla!

Un cortacésped viejo tampoco debe dejarse nunca sin vigilancia. Asegúrese de que el equipo y, especialmente, la cuchilla queden fuera del alcance de los niños.

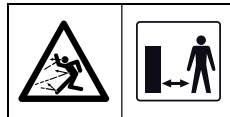
El acumulador se debe eliminar de manera separada del equipo. Hay que garantizar que los acumuladores se eliminen de forma segura y respetuosa con el medio ambiente.

7. Descripción de los símbolos



¡Advertencia!

Leer el manual de instrucciones antes de la puesta en servicio.



¡Advertencia!

Mantener una distancia segura durante el funcionamiento del equipo. Impedir que otras personas se acerquen a la zona de peligro.



¡Advertencia!

No tocar nunca la cuchilla en rotación.

¡Advertencia!

Bloquear la máquina antes de levantarla o realizar cualquier trabajo en ella.



¡Advertencia!

No sentarse sobre la máquina ni subirse a ella.



¡Advertencia!

No tocar nunca la cuchilla en funcionamiento.



¡Advertencia!

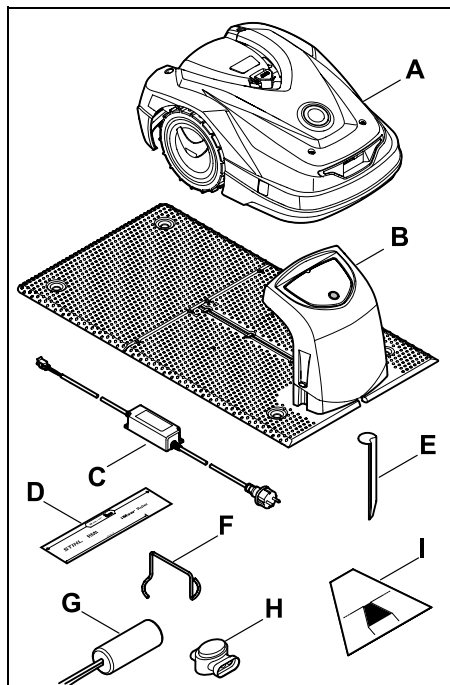
Los niños deben mantenerse alejados del equipo y de la superficie a cortar mientras se esté cortando el césped.



¡Advertencia!

Perros y otras mascotas deben mantenerse alejados del equipo y de la superficie a cortar mientras se esté cortando el césped.

8. Contenido del suministro



Pos.	Denominación	Unid.
A	Robot cortacésped	1
B	Estación de carga	1
C	Fuente de alimentación	1
D	Regla virtual iMOW®*	2
E	Pasador de fijación para estación de carga	4
F	Extractor para disco de arrastre	1
G	AKM 100	1
H	Conector de cable	2
I	Modelo de pasillos*	1
-	Manual de instrucciones	1

* debe separarse del elemento de cartón del embalaje.

9. Instalación inicial

Para conseguir una instalación rápida y robusta deben respetarse las normas e indicaciones, y en especial en el tendido del cable la distancia de 28 cm. (⇒ 12.)

La superficie cortada puede aumentar situando el cable delimitador más cerca del borde. (⇒ 12.17) Para que el funcionamiento sea seguro, la distancia guardada al tender el cable debe adaptarse a las particularidades del lugar.

Guía rápida para el iMOW®

Como ayuda se adjunta al robot cortacésped una guía rápida separada para la instalación de la estación de carga y el tendido del cable delimitador. En los capítulos correspondientes de este manual de instrucciones se ofrece información detallada. Utilizar la guía rápida siempre junto con el manual de instrucciones del robot cortacésped.

Guía rápida para el iMOW®

Representación reducida de la página 1:



INSTALACIÓN BÁSICA

COLOCACIÓN DE LA ESTACIÓN DE CARGA INTERNA Y TENDIDO DEL CABLE DELIMITADOR

UTILICE ESTA GUÍA RÁPIDA SOLO JUNTO CON EL MANUAL DE INSTRUCCIONES DE SU ROBOT CORTACÉSPED.

1. Antes de la instalación elabore un croquis del jardín.
2. Instale la estación de carga en un lugar adecuado y cargue el robot cortacésped iMOW® en ella.
3. Reactive el iMOW® pulsando el botón "OK" y siga las instrucciones hasta "Tender cable".
4. Tienda el cable delimitador. Utilice la iMOW® Ruler y el modelo de pasillos para establecer las distancias.
5. Continúe la instalación con "Conectar cable" y siga las instrucciones hasta el final.

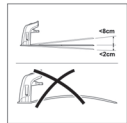
Preparativos para la instalación:

- Cortar la superficie $\times 6$ cm con un cortacésped convencional antes de la puesta en marcha.
 - Las superficies a cortar no deben solaparse. Distancia mínima ≥ 1 m entre los cables delimitadores.
 - Distancia máx. entre el robot cortacésped iMOW® y el cable delimitador: 17 m.
 - Ajustar la altura de corte de iMOW®. Recomendación: nivel de corte 4.
 - Se recomienda eliminar las fuentes de interferencia como, por ejemplo, metales.
- ☑ 9/19/5/9/9

Los robots cortadores iMOW® de STIHL cumplen toda la normativa de seguridad vigente. No obstante:
El robot cortacésped iMOW® no es ningún juguete. Durante los tiempos de actividad del robot cortacésped iMOW®, no debe haber niños, adultos ni mascotas en la zona de trabajo.

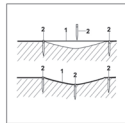
Accesorio AKM 100 para jardines pequeños:

- Para longitudes de cable delimitador $\times 80$ m.
- ☑ 9/9



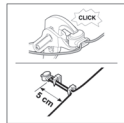
Posición de la estación de carga:

- Con sombra, protegida, horizontal
 - Distancia hasta la superficie prohibida $\times 2$ m
 - Se recomienda el uso de enchufes con protección contra sobretensión.
- ☑ 9/12/9



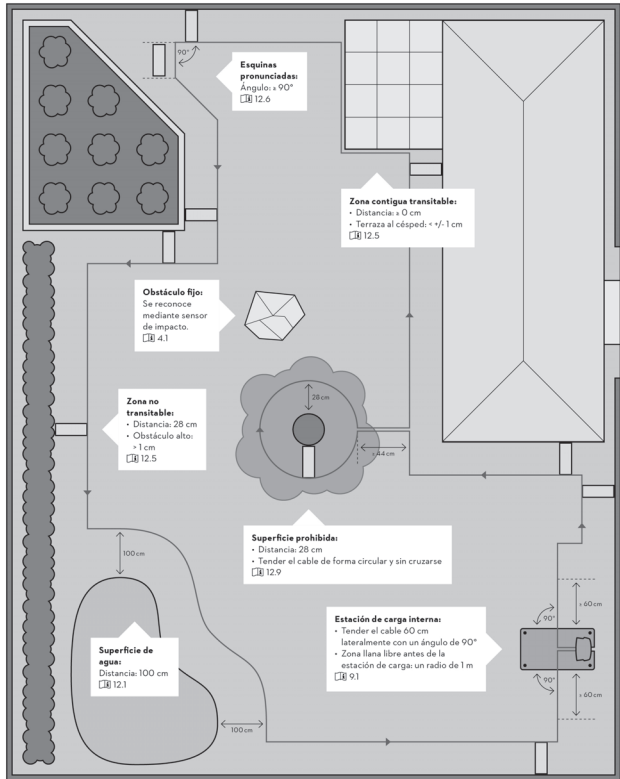
Tendido del cable delimitador:

- Tender el cable delimitador (1) sobre el suelo en intervalos regulares y fíjalo al suelo con piquetas (2). Utilice piquetas adicionales en superficies irregulares. Tender el cable sin cruzarlo.
- ☑ 12/3



Correcta instalación de conectores de cable:

- Introducir los extremos de cable sueltos sin aislar hasta el tope en un conector de cable. Comprimir el conector de cable con unos alicates adecuados. Asegurarse de que encaje correctamente.
- ☑ 12/10



Asistencia: <https://support.stihl.com/>



INSTALACIÓN AVANZADA

COLOCACIÓN DE LA ESTACIÓN DE CARGA EXTERNA Y TENDIDO DEL CABLE DELIMITADOR EN CASOS ESPECIALES

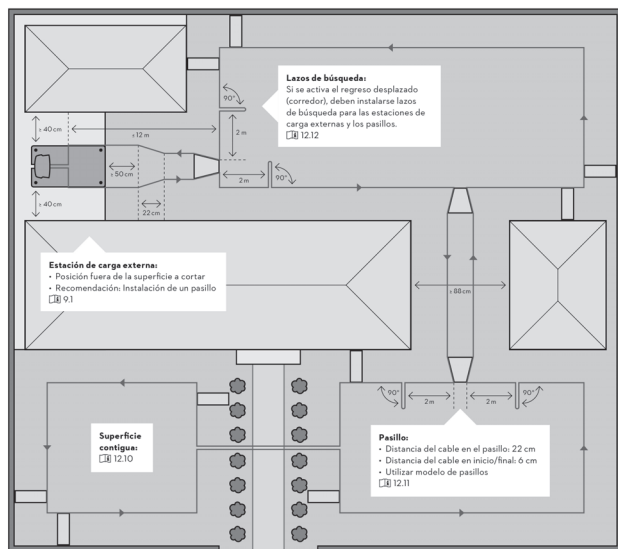


Terreno inclinado en la superficie a cortar:

Para que el robot cortacésped pueda cortar una zona inclinada de la superficie automáticamente y sin anomalías, el cable delimitador en la pendiente (1) deberá instalarse con una distancia mínima al borde del terreno. Distancia: 0,5 m
 [E] 12.14

Puntos de inicio:

Las superficies a cortar a las que se llega a través de un pasillo o estación de carga externa, deben tener un punto de inicio definido.
 [E] 9.6/11.13/11.14/12.11



Asistencia: <https://support.stihl.com/>

0477-810-0371 ES-11

9.1 Indicaciones para la estación de carga

Requisitos de la ubicación de la estación de carga:

– Protegida, con sombra.

La luz directa del sol puede hacer que aumente la temperatura de la máquina y que el tiempo de carga necesario de la batería sea mayor.

En la estación de carga se puede montar un techo parasol disponible como accesorio. De ese modo el robot cortacésped se protege mejor de las inclemencias del tiempo.

– Visible.

La estación de carga debe ser bien visible en la ubicación elegida para que nadie tropiece con ella.

– Cerca de un enchufe adecuado.

La conexión de red debe estar lo bastante cerca de la estación de carga como para que el cable eléctrico empleado llegue tanto a la estación de carga como a la conexión de red. No modificar el cable eléctrico de la fuente de alimentación.

Se recomienda un enchufe con protección contra sobretensión.

– Libre de interferencias.

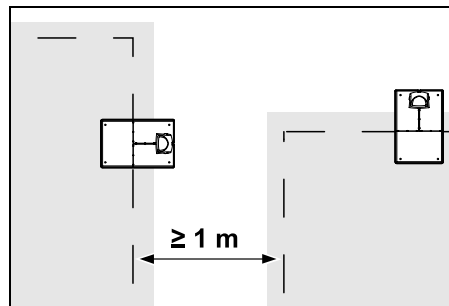
Los metales, óxido de hierro, materiales magnéticos o conductores o antiguas instalaciones de cables delimitadores pueden interferir en el funcionamiento. Se recomienda retirar estas fuentes de interferencia.

– Posición horizontal y superficie plana.

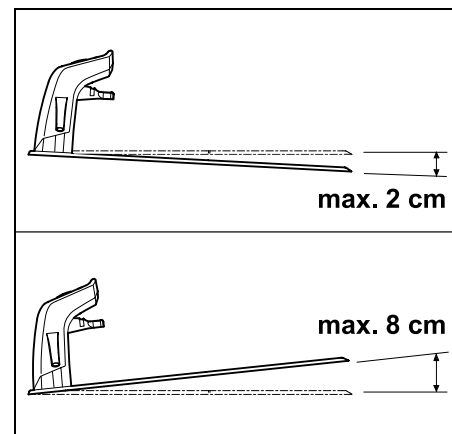
Un suelo desnivelado tiene una influencia decisiva en la conexión del robot cortacésped a la estación de carga. Hay que prestar atención a que el suelo debajo de la placa base de la estación de carga sea horizontal y no presente desniveles. En caso necesario habría que aplanar el suelo.

Preparativos:

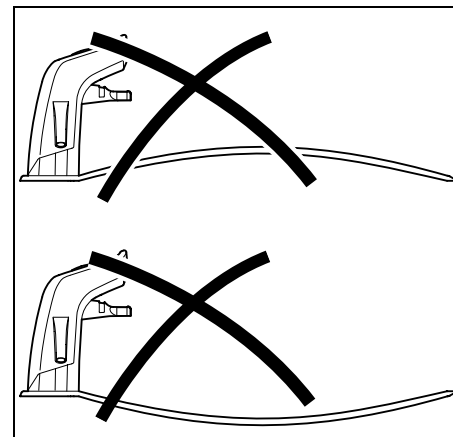
- Antes de la primera instalación, cortar el césped con un cortacésped convencional (altura óptima de la hierba: 6 cm como máximo).
- Si el suelo está duro y seco, humedecer ligeramente la superficie a cortar para facilitar la sujeción de las piquetas.



Las superficies a cortar no deben solaparse. Debe mantenerse una distancia mínima de $\geq 1 \text{ m}$ entre los cables delimitadores de dos superficies a cortar.



La estación de carga no debe estar inclinada más de 8 cm hacia atrás o 2 cm hacia delante.

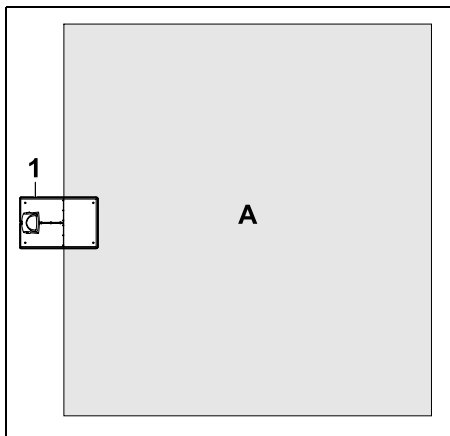


No doblar nunca la placa base. Los desniveles debajo de la placa base se deben eliminar para que esta pueda quedar apoyada completamente.

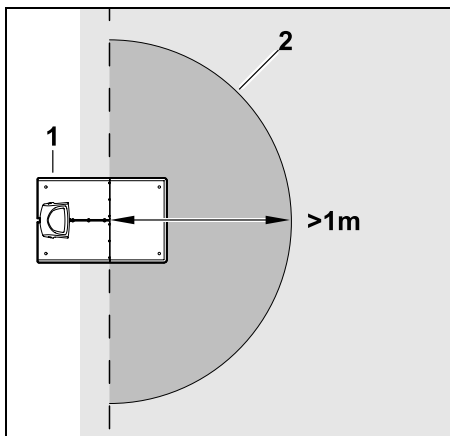
Variantes de instalación:

La estación de carga se puede instalar de forma interna o externa.

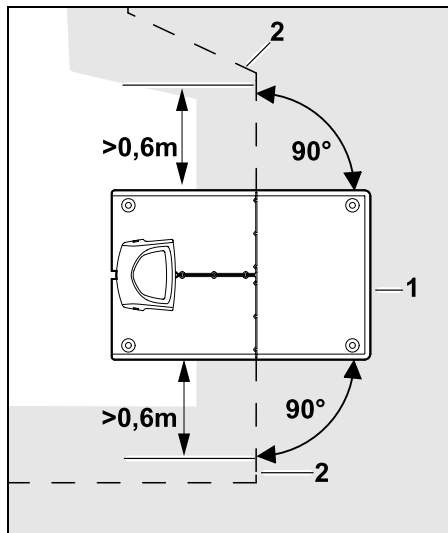
Estación de carga interna:



La estación de carga (1) se instala dentro de la superficie a cortar (A), junto al borde.

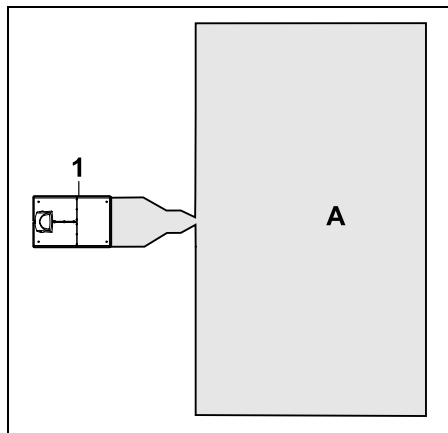


Delante de la estación de carga (1) debe haber una zona llana libre (2) de 1 m de radio como mínimo. Eliminar las elevaciones o los huecos.



A izquierda y derecha de la estación de carga (1), tender el cable delimitador (2) durante **0,6 m** en posición recta y en ángulo recto con respecto a la placa base. A continuación, seguir con el cable delimitador el borde de la superficie a cortar.

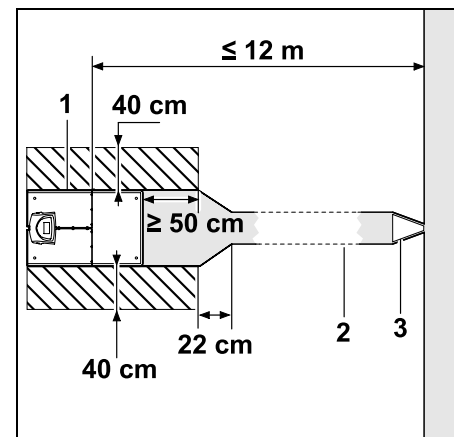
Estación de carga externa:



La estación de carga (1) se instala fuera de la superficie a cortar (A).

i En combinación con una estación de carga externa, hay que instalar **lazos de búsqueda** para el regreso desplazado. (⇒ 12.12)

Necesidad de espacio de la estación de carga externa:



Para que la conexión y la desconexión de la estación de carga (1) puedan funcionar debidamente, la estación de carga puede instalarse con un pasillo (2), como se muestra en la ilustración. Las zonas alrededor de la estación de carga y fuera del cable delimitador tienen que ser llanas y libremente transitables. Eliminar las elevaciones o los huecos.

El pasillo (2) se instala con ayuda de un modelo de pasillo (3). (⇒ 12.11)

Distancia mínima de la placa base al comienzo del pasillo: ≥ 50 cm

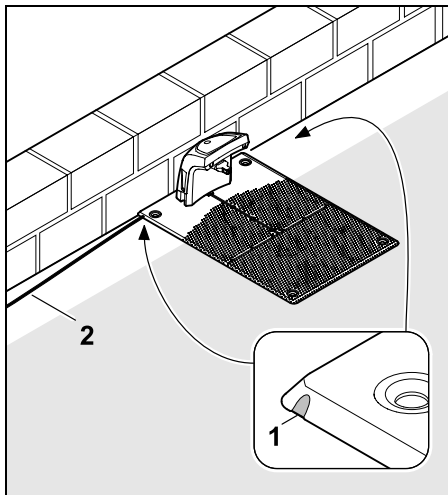
Anchura lateral de la superficie libre:

40 cm

Distancia máxima a la superficie a cortar:

≤ 12 m

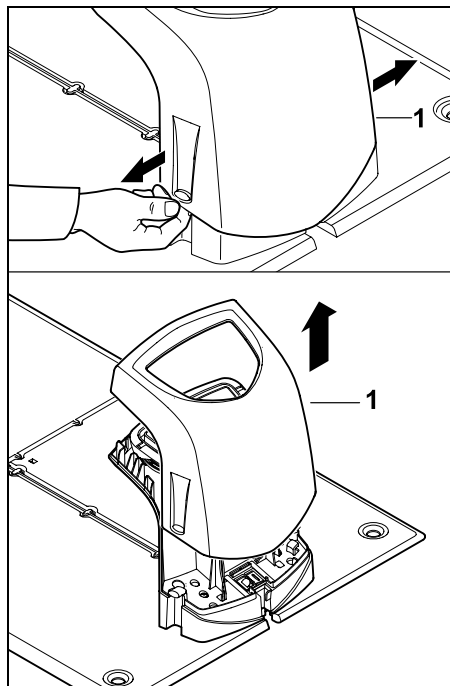
Instalar la estación de carga en una pared:



Si la estación de carga se instala en una pared, es necesario tirar un puente en la placa base con la ayuda de un alicate por el lado izquierdo o derecho (1) para crear más espacio para el cable de red (2).

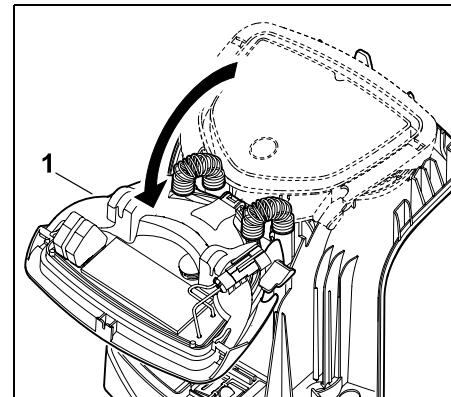
9.2 Conexiones de la estación de carga

Retirar la cubierta:

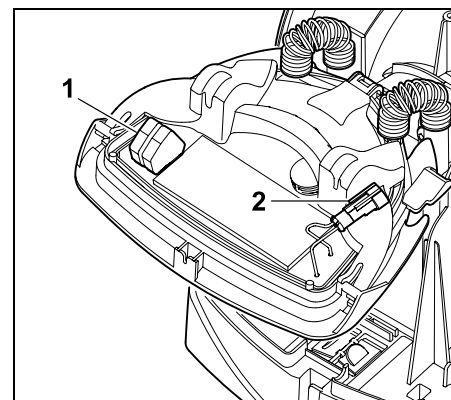


Extender la cubierta (1) ligeramente por el lado izquierdo y derecho, y retirarla hacia arriba como se muestra en la ilustración.

Abrir el panel:

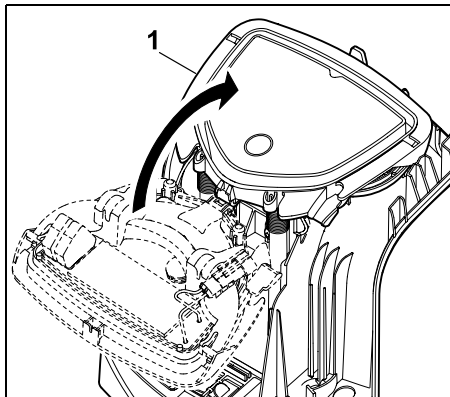


Abrir el panel (1) hacia delante. Mantener el panel en posición abierta, porque se cierra de forma independiente debido a los resortes de la bisagra.



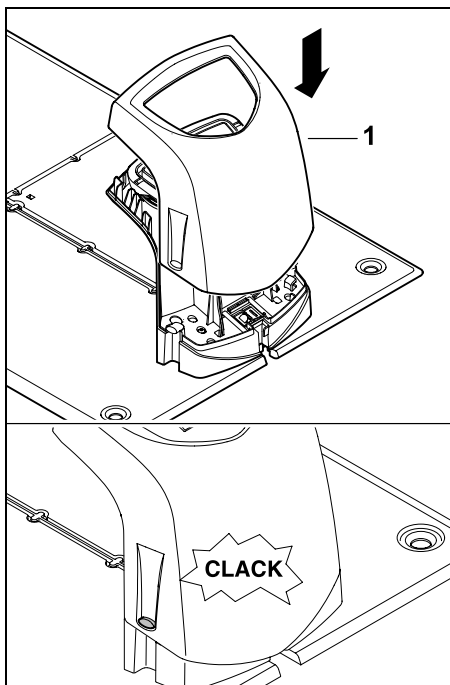
Con el panel cerrado, las conexiones para el cable delimitador (1) y el cable eléctrico (2) están protegidas de las influencias atmosféricas.

Cerrar el panel:



Cerrar el panel (1) hacia atrás; no pillar ninguno de los cables.

Colocar la cubierta:



Colocar la cubierta (1) sobre la estación de carga y dejar que encaje. No pillar ninguno de los cables.

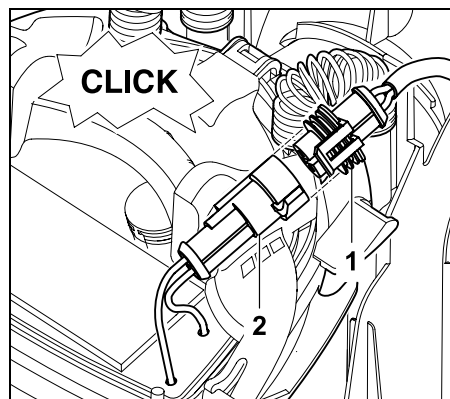
9.3 Conectar el cable de alimentación a la estación de carga



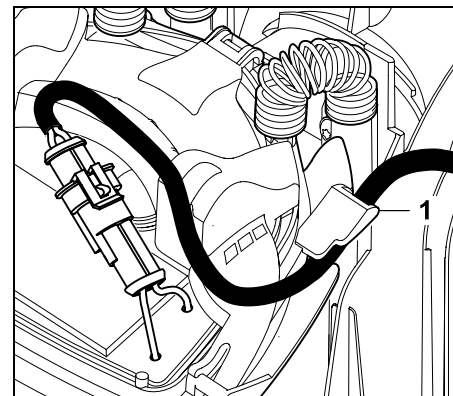
Nota:

El enchufe y la toma deben estar limpios.

- Retirar la cubierta de la estación de carga y abrir el panel. (⇒ 9.2)

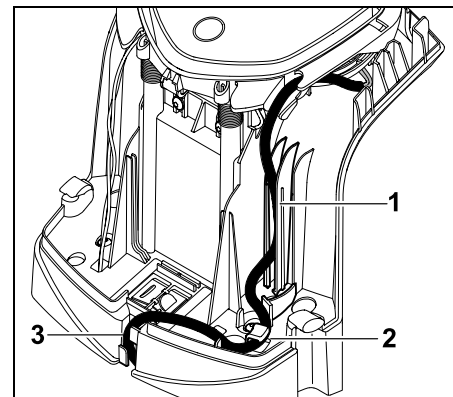


Enchufar el conector de la fuente de alimentación (1) al enchufe de la estación de carga (2).



Guiar el cable eléctrico a través de la guía de cables (1) del panel.

- Cerrar el panel. (⇒ 9.2)

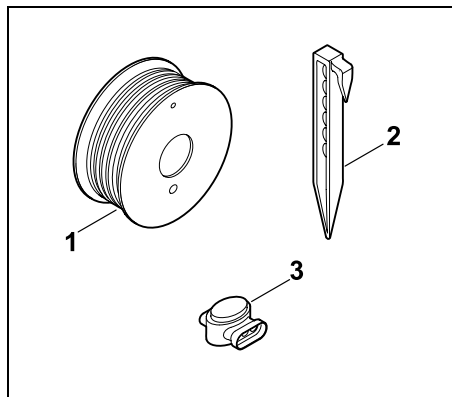


Como se muestra en la ilustración, presionar el cable eléctrico para que entre en la guía de cables (1) y guiarlo por el dispositivo antitirones del cable (2) y por el canal de cables (3) hasta la fuente de alimentación.

- Cerrar la cubierta de la estación de carga. (⇒ 9.2)

9.4 Material de instalación

Si el cable delimitador no es tendido por el Distribuidor especializado, se necesita un material de instalación adicional no incluido en el volumen de suministro, para poder poner en servicio el robot cortacésped. (⇒ 18.)



Los kits de instalación incluyen cable delimitador en un rollo (1), al igual que piquetas (2) y conectores de cable (3). Los kits de instalación también pueden incluir piezas adicionales que no son necesarias para la instalación.

9.5 Ajustar la altura de corte

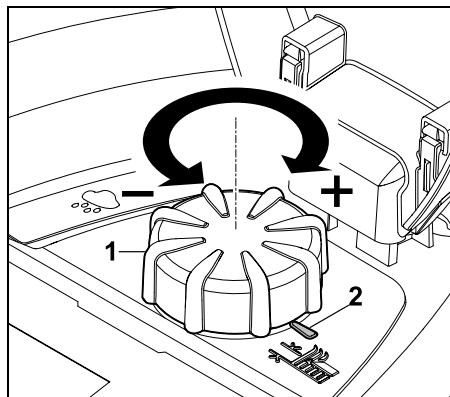
i En las primeras semanas, ajustar la altura de corte como mínimo en el **nivel 4** para garantizar un funcionamiento seguro, hasta que la hierba haya crecido por encima del cable delimitador.

Los niveles **S1**, **S2** y **S3** son alturas especiales para superficies muy lisas (irregularidades del suelo inferiores a +/- 1 cm).

Altura de corte mínima:
Nivel S1 (20 mm)

Altura de corte máxima:
Nivel 8 (60 mm)

– Abrir la tapa. (⇒ 15.2)



Girar el botón giratorio (1). La marca (2) muestra la altura de corte ajustada.

i El botón giratorio puede extraerse hacia arriba del elemento de ajuste. Este diseño sirve para la seguridad (garantizando que la máquina no pueda levantarse ni trasladarse tirando del botón giratorio) y para impedir que alguna persona no autorizada modifique la altura de corte.

9.6 Indicaciones para la primera instalación

Para la instalación del robot cortacésped hay disponible un asistente de instalación. Este programa le guiará durante todo el proceso en la primera instalación:



- Ajustar idioma, fecha y hora


- Instalar la estación de carga
- Tender el cable delimitador
- Conectar el cable delimitador
- Conectar el robot cortacésped y la estación de carga
- Comprobar la instalación
- Programar el robot cortacésped
- Finalizar la primera instalación

Se deben seguir todas las indicaciones del asistente de la instalación, y entonces el robot cortacésped estará preparado para funcionar.

i El asistente de la instalación se vuelve a activar después de un reseteo (restablecimiento de los ajustes de fábrica). (⇒ 11.17)

Preparativos:

- Antes de la primera instalación, cortar el césped con un cortacésped convencional (altura óptima de la hierba: 6 cm como máximo).
- Si el suelo está duro y seco, humedecer ligeramente la superficie a cortar para facilitar la sujeción de las piquetas.
- El robot cortacésped debe ser activado por el distribuidor especializado STIHL y asignado a la dirección de correo electrónico del propietario. (⇒ 10.)

 Al manejar los menús hay que tener en cuenta las indicaciones del capítulo "Instrucciones de manejo". (⇒ 11.1)

Con el **botón multidireccional** pueden seleccionarse opciones, puntos del menú o botones.

Con la **tecla OK** se abre un submenú o se confirma una selección.



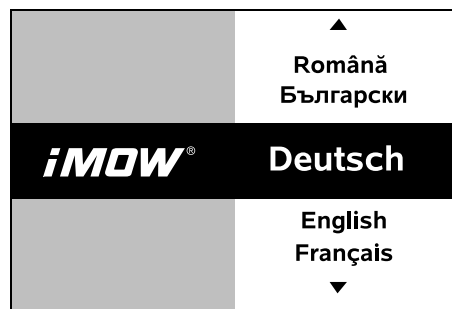
Con la **tecla Volver** se abandona el menú activo o se retrocede un paso en el asistente de la instalación.



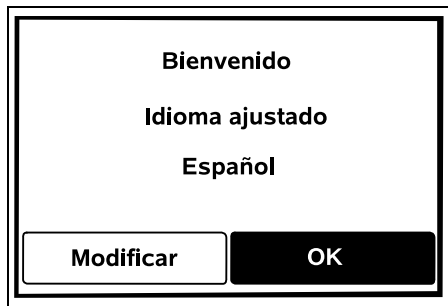
Si surgen errores o anomalías durante la primera instalación, aparecerá un mensaje en el display advirtiéndolo. (⇒ 24.)

9.7 Ajustar idioma, fecha y hora

- Pulsando cualquier tecla del display se activa la máquina y con ello también el asistente de instalación.



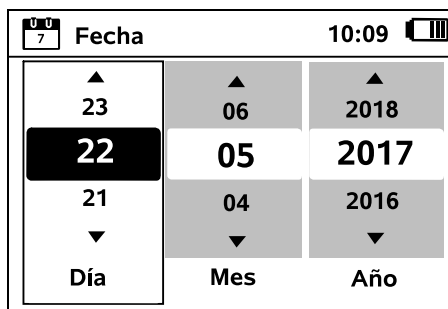
Seleccionar el idioma deseado del display y confirmar con la tecla OK.



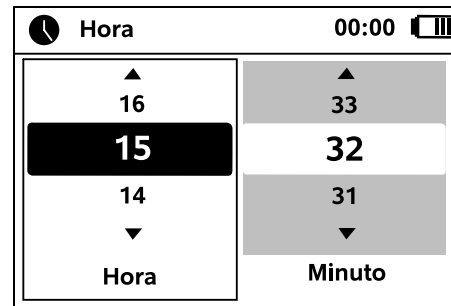
Confirmar el idioma con la tecla OK o seleccionar "Modificar" para volver a elegir el idioma.



- Si fuera necesario, introducir el número de serie de 9 cifras del robot cortacésped. Este número está impreso en la placa de modelo (véase Descripción del equipo). (⇒ 3.)




Ajustar la fecha actual mediante el botón multidireccional y confirmarla con la tecla OK.

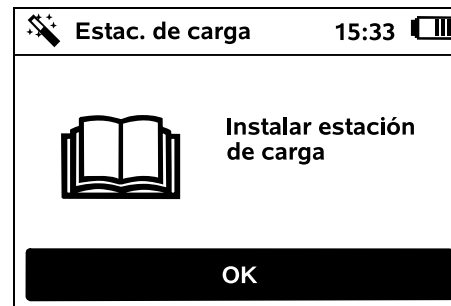


Ajustar la hora actual mediante el botón multidireccional y confirmarla con la tecla OK.

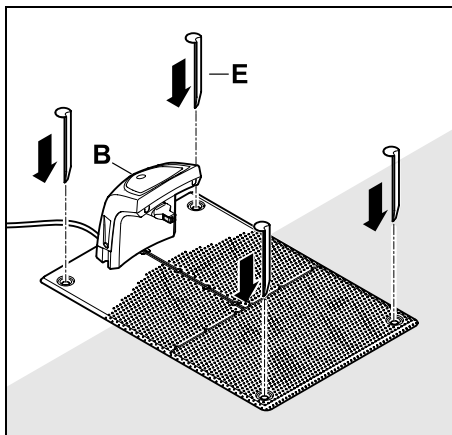


9.8 Instalar la estación de carga

 Tener en cuenta el capítulo "Indicaciones para la estación de carga" (⇒ 9.1) y los ejemplos de instalación (⇒ 27.) que aparecen en este manual de instrucciones.



- Conectar el cable eléctrico en la estación de carga. (⇒ 9.3)
- Si se instala la estación de carga en una pared, tender el cable eléctrico debajo de la placa base. (⇒ 9.1)



i Nota: Clavar los pasadores de fijación en el suelo de manera que no se doble la placa base de la estación de carga.

Fijar la estación de carga (B) en la posición deseada con cuatro pasadores de fijación (E).

- Instalar la fuente de alimentación fuera de la superficie a cortar, protegida de la luz directa del sol y la humedad. En caso necesario, fijarla a una pared.

! Para que la fuente de alimentación funcione correctamente, es necesario que la **temperatura ambiente** se encuentre entre **0° C** y **40° C**.

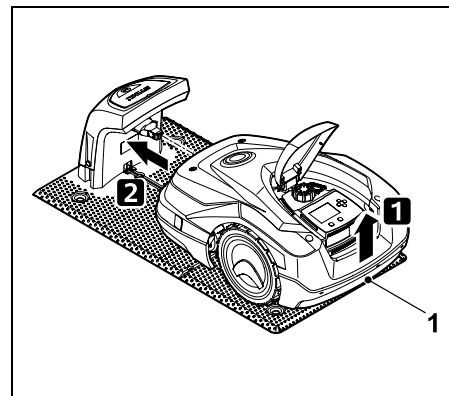
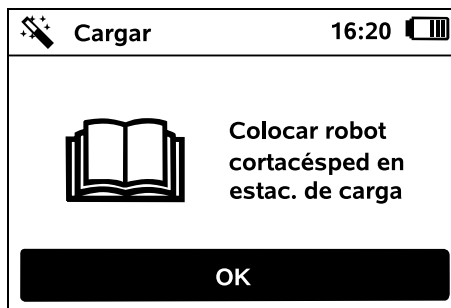
- Tender todos los cables fuera de la superficie a cortar, especialmente fuera del alcance de la cuchilla, y fijarlos al suelo o colocarlos en un canal de cables.
- Desenrollar el cable eléctrico que se encuentre cerca de la estación de carga, para evitar perturbaciones de la señal de cable.

- Conectar el enchufe de red.

i En la estación de carga, el LED rojo parpadeará rápidamente mientras no haya ningún cable delimitador conectado. (⇒ 13.1)

- Una vez concluidos los trabajos, pulsar la tecla OK. **OK**

i **En una estación de carga externa:**
Tras finalizar la primera instalación, determinar al menos un punto de inicio que se encuentre fuera del pasillo hacia la estación de carga. Definir la frecuencia de inicio de tal manera que 0 de 10 procesos de corte (0/10) se inicien en la estación de carga (punto de inicio 0). (⇒ 11.14)



Levantar el robot cortacésped ligeramente por el asa de transporte (1) para descargar las ruedas motrices. Desplazar la máquina a la estación de carga apoyándola sobre las ruedas delanteras.

A continuación, pulsar la tecla OK en el display. **OK**

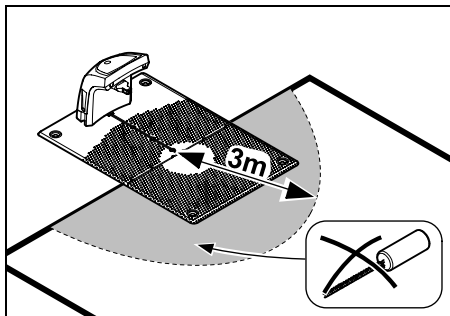
i Si la batería está descargada, después de conectar el robot a la estación de carga aparecerá en la esquina superior derecha del display el símbolo de un enchufe de red en lugar del símbolo de la batería, y esta se cargará mientras se tiende el cable delimitador. (⇒ 15.7) **OK**

9.9 Tender el cable delimitador

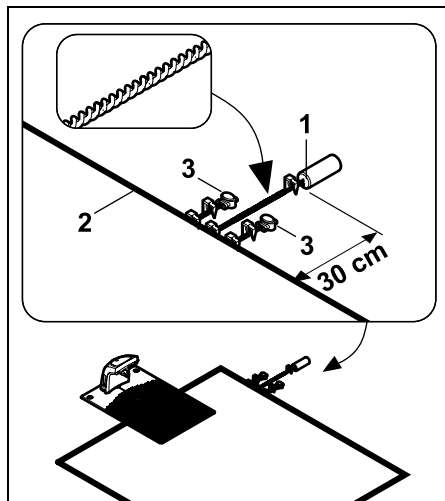
i Antes de tender el cable, hay que leer y tener en cuenta todas las indicaciones del capítulo "Cable delimitador". (⇒ 12.)

Planificar especialmente el tendido, tener en cuenta las **distancias del cable** e instalar también las **superficies prohibidas**, las **reservas de cable**, los **tramos de unión**, las **superficies contiguas** y los **pasillos** durante el tendido.

En superficies a cortar más pequeñas con una longitud de cable inferior a 80 m, es necesario instalar el accesorio **AKM 100** suministrado junto con el cable delimitador. Si el cable es demasiado corto, la estación de carga parpadeará SOS y no se emitirá ninguna señal de cable.



Instalar el accesorio AKM 100 a una distancia mínima de 3 m de la estación de carga.



Fijar el AKM 100 (1) con una piqueta a una distancia de 30 cm fuera de la superficie a cortar. Trenzar los extremos de cable hasta la superficie a cortar, y fijarlos con una piqueta.

Cortar el cable delimitador (2) y unir los extremos con conectores de cable (3) a los extremos de cable delimitador del AKM 100 (⇒ 12.16). Fijar las piezas de unión del lado izquierdo y derecho con piquetas, como se muestra en la ilustración.

i Utilizar exclusivamente piquetas y cables delimitadores originales. Los kits de instalación y el material de instalación necesario se pueden obtener como accesorio en el distribuidor especializado STIHL. (⇒ 18.)

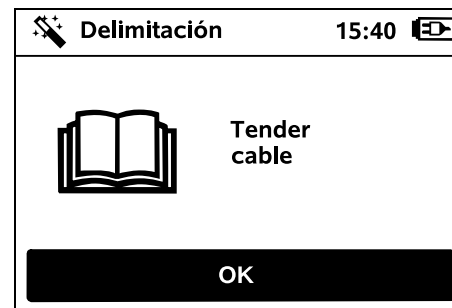
Trazar el tendido del cable en el croquis del jardín. Contenido del croquis:

- **Contorno de la superficie a cortar** con obstáculos importantes, límites y otras superficies prohibidas en las que no debe trabajar el robot cortacésped. (⇒ 27.)
- Posición de la **estación de carga** (⇒ 9.1)
- Ubicación del **cable delimitador**
En poco tiempo el cable delimitador se integra en el suelo y deja de estar a la vista. Anotar especialmente el tendido del cable alrededor de los obstáculos.
- Ubicación de los **conectores de cable**
Los conectores de cable utilizados dejan de ser visibles al poco tiempo. Es conveniente anotar su posición para poder cambiarlos en caso necesario. (⇒ 12.16)

El cable delimitador debe tenderse en un lazo continuo alrededor de toda la superficie a cortar.

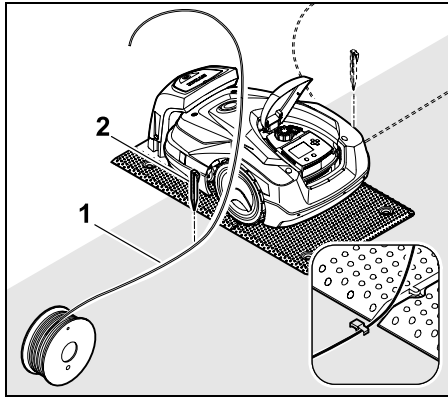
Longitud máxima: **500 m**

i El robot cortacésped no debe estar en ningún momento a más de 17 m del cable de delimitador, pues de lo contrario no detectará la señal del cable.

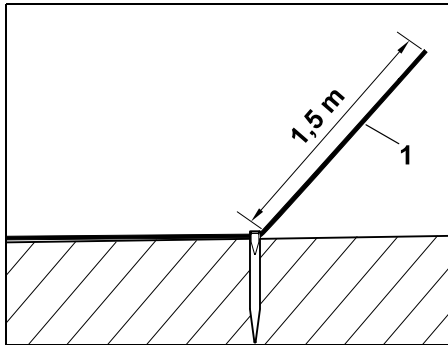


Tender el cable delimitador partiendo de la estación de carga. Hay que diferenciar entre una **estación de carga interna** y una **estación de carga externa**.

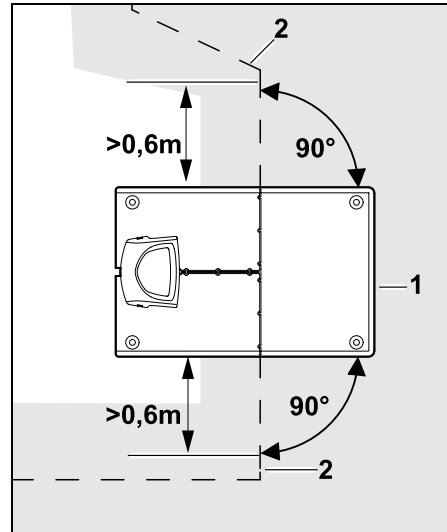
Inicio con estación de carga interna:



Fijar el cable delimitador (1) al suelo con una piqueta (2) **por el lado izquierdo o derecho** de la placa base, directamente junto a una salida de cable.



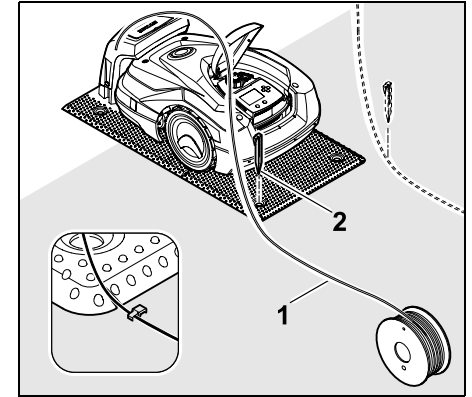
Prever que haya un extremo de cable libre (1) de aprox. **1,5 m** de longitud.



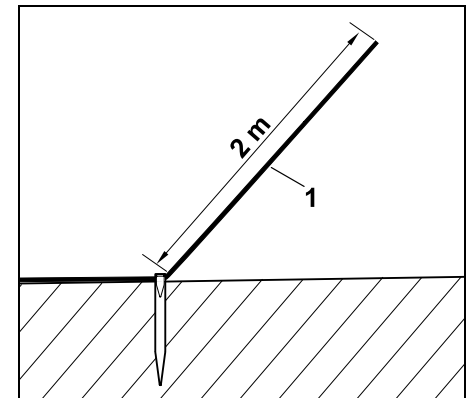
A izquierda y derecha de la estación de carga (1), tender el cable delimitador (2) **0,6 m** en posición recta y en ángulo recto con respecto a la placa base. A continuación, seguir el borde de la superficie a cortar con el cable delimitador.

i Si se utiliza el regreso desplazado (corredor), el cable delimitador deberá tenderse al menos **1,5 m** en posición recta a izquierda y derecha de la estación de carga y en ángulo recto con respecto a la placa base. (⇒ 11.13)

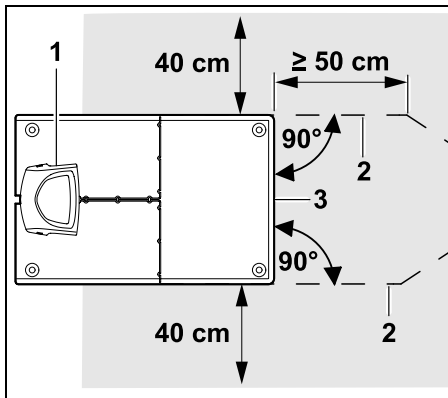
Inicio con estación de carga externa:



Fijar el cable delimitador (1) al suelo con una piqueta (2) **por el lado izquierdo o derecho** detrás de la placa base, directamente junto a una salida de cable.



Prever que haya un extremo de cable libre (1) de aprox. **2 m** de longitud.

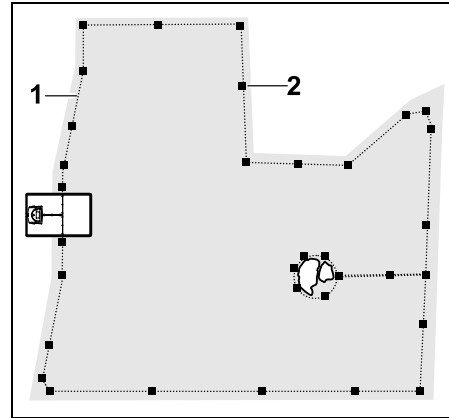


A izquierda y derecha de la estación de carga (1), tender el cable delimitador (2) durante una distancia de 50 cm en ángulo recto con respecto a la placa base. A continuación puede instalarse un pasillo (⇒ 12.11) o seguirse el borde de la superficie a cortar con el cable delimitador.

Lateralmente junto a la placa base (3) debe haber una superficie libremente transitable con una anchura mínima de 40 cm.

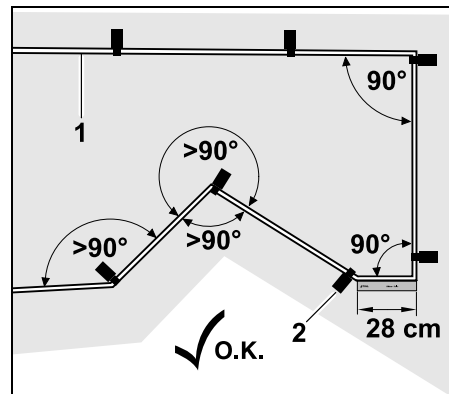
i En el capítulo "Ejemplos de instalación" se facilita más información sobre la instalación de la estación de carga externa. (⇒ 27.)

Tendido de cable en la superficie a cortar:



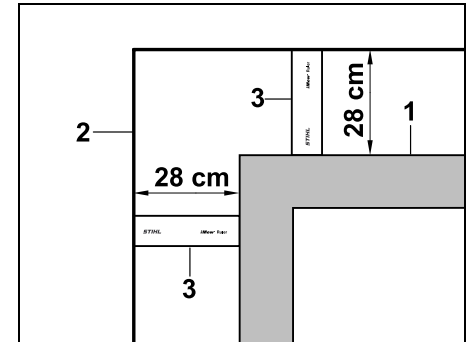
Tender el cable delimitador (1) alrededor de la superficie a cortar y de los obstáculos que hubiera (⇒ 12.9), y fijarlo al suelo con piquetas (2). Controlar las distancias con la ayuda de la regla virtual iMOW®. (⇒ 12.5)

i El robot cortacésped no debe estar en ningún momento a más de 17 m del cable de delimitador, pues de lo contrario no detectará la señal del cable.



Se debe evitar el tendido en ángulos pequeños (de menos de 90°). En esquinas estrechas del césped, fijar el cable delimitador (1) al suelo con piquetas (2) como se muestra en la ilustración. (⇒ 12.6)

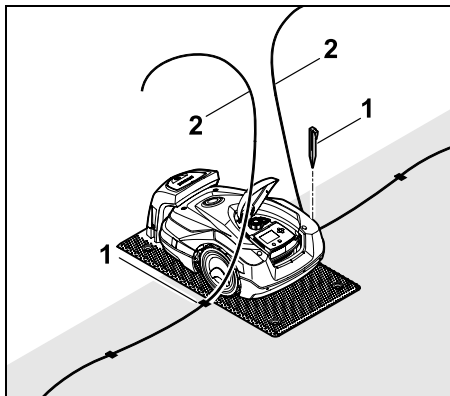
Después de una esquina de 90° el tendido debe ser recto durante al menos una longitud de la regla virtual iMOW® antes de poder instalar otra esquina.



Al tender el cable alrededor de obstáculos altos, como muros o arriates elevados (1), en las esquinas se debe mantener la distancia del cable para que el robot cortacésped no roce el obstáculo. Tender el cable delimitador (2) con ayuda de la regla virtual iMOW® (3), como se muestra en la ilustración.

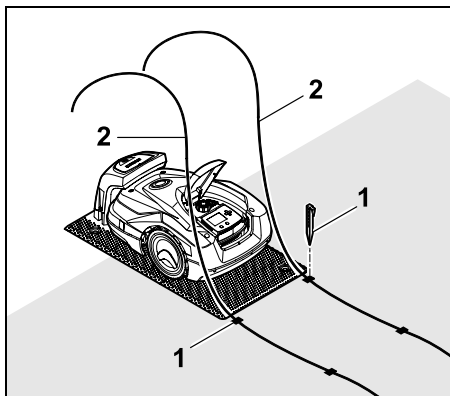
- En caso necesario, prolongar el cable delimitador con los conectores de cable suministrados. (⇒ 12.16)
- Si existen varias superficies a cortar unidas, instalar superficies contiguas (⇒ 12.10) o conectarlas con pasillos. (⇒ 12.8)

Última piqueta en caso de estación de carga interna:



Clavar la última piqueta (1) en el lado izquierdo o derecho de la placa base, directamente junto a la salida de cable. Cortar el cable delimitador (2) dejando aprox. 1,5 m de longitud libre.

Última piqueta en caso de estación de carga externa:



Clavar la última piqueta (1) a la izquierda o a la derecha detrás de la placa base, directamente junto a la salida de cable. Cortar el cable delimitador (2) dejando aprox. 2 m de longitud libre.

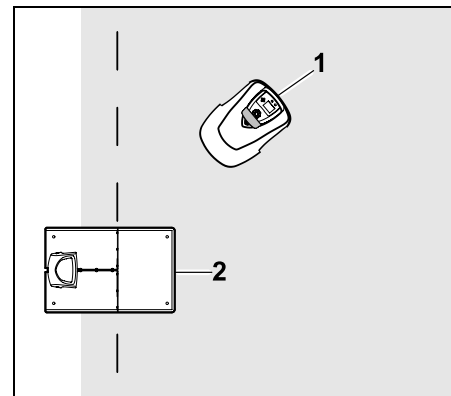
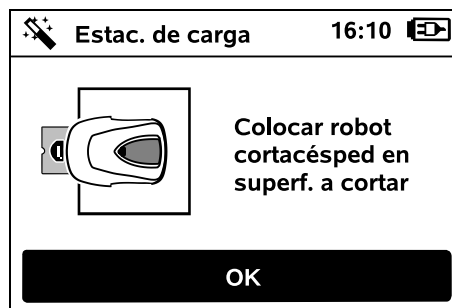
Finalizar el tendido de cable:

- Comprobar la fijación del cable delimitador al suelo. Como orientación, es suficiente una piqueta por metro. El cable delimitador debe estar siempre en contacto con la superficie de césped. Clavar completamente las piquetas.
- Una vez concluidos los trabajos, pulsar la tecla OK.

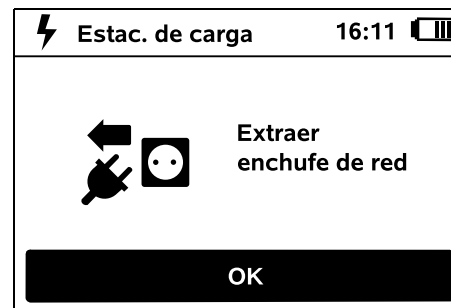


Si la batería estuviera poco cargada para proseguir con los pasos del asistente de instalación, se mostrará un mensaje correspondiente. En este caso hay que dejar el robot cortacésped en la estación de carga y seguir cargando la batería. Solo se puede pasar al siguiente paso del asistente de instalación con la tecla OK si se ha alcanzado la tensión necesaria de la batería.

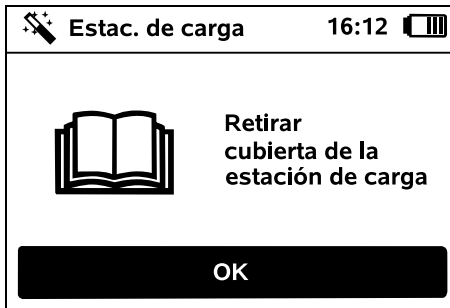
9.10 Conectar el cable delimitador



Colocar el robot cortacésped (1) detrás de la estación de carga (2) dentro de la superficie a cortar, tal como lo muestra la ilustración; a continuación, pulsar la tecla OK.



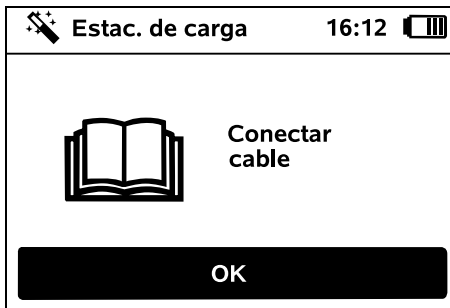
Retirar el enchufe de la red de alimentación y, a continuación, pulsar la tecla OK.



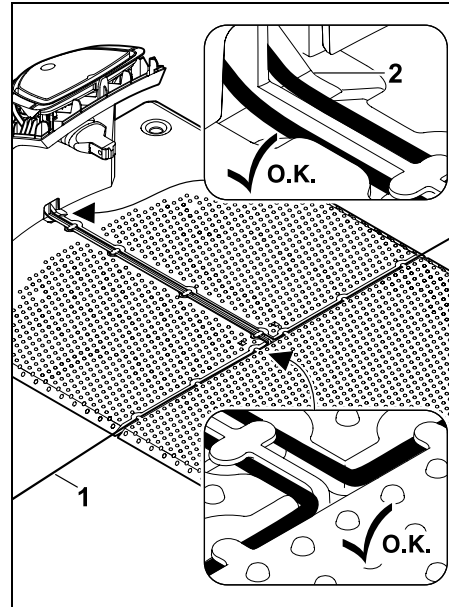
Retirar la cubierta. (⇒ 9.2)

Pulsar la tecla OK.

OK

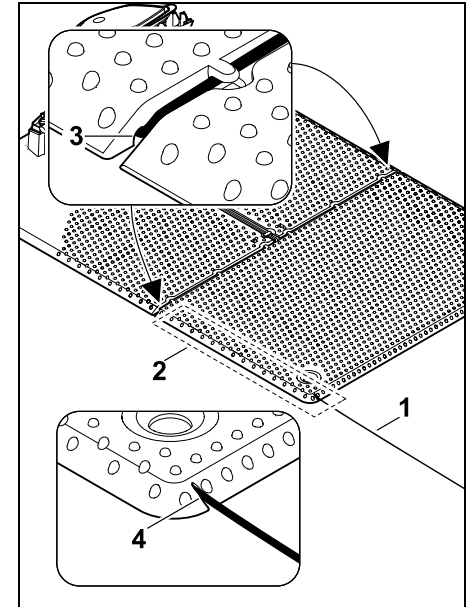


Cable delimitador en caso de estación de carga interna:

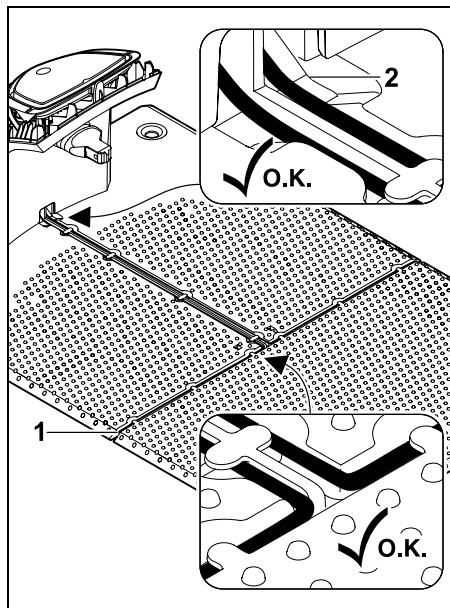


Colocar el cable delimitador (1) en las guías de cables de la placa base y pasarlo a través de la base (2).

Cable delimitador en caso de estación de carga externa:



Tender el cable delimitador (1) en la zona (2) debajo de la placa base. Para ello, introducir el cable en las salidas de cables (3, 4); en caso necesario, aflojar los pasadores de fijación de la placa.



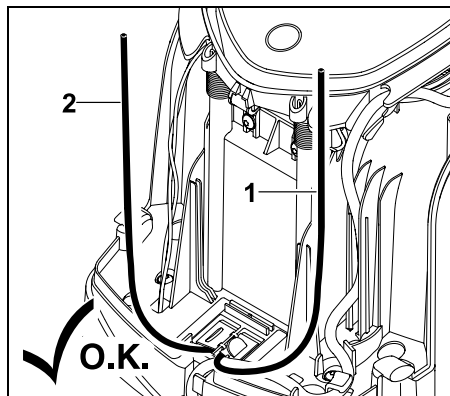
Colocar el cable delimitador (1) en las guías de cables de la placa base y pasarlo a través de la base (2).

Conectar el cable delimitador:

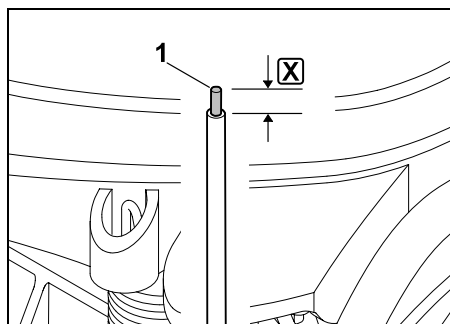


Nota:

Comprobar que los contactos estén limpios (sin corrosión, suciedad, etc.).

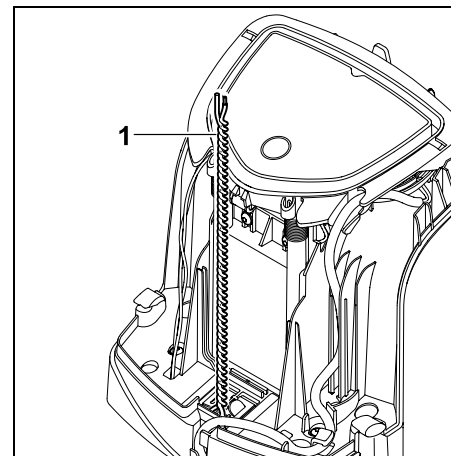


Acortar el extremo de cable izquierdo (1) y el extremo de cable derecho (2) a la misma longitud. Longitud desde la salida de cable hasta el extremo de cable: **40 cm**



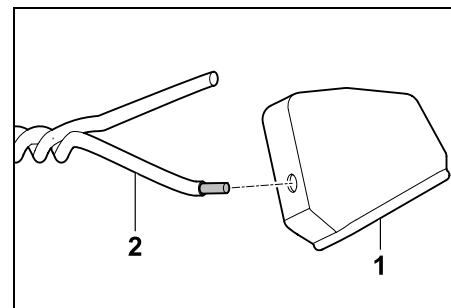
Desaislar el extremo de cable izquierdo (1) con una herramienta apropiada a la longitud indicada **X** y retorcer el cable trenzado.

X = 10-12 mm

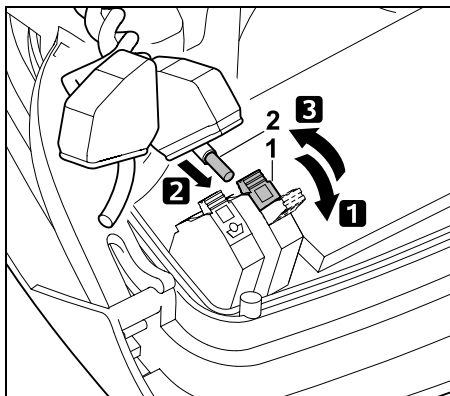


Trenzar los extremos de cable libres (1) entre sí, como se muestra en la ilustración.

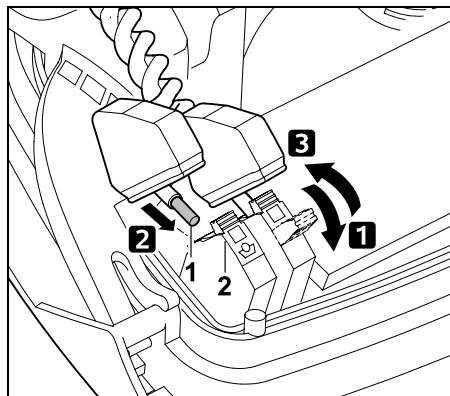
- Abrir el panel y mantenerlo abierto. (⇒ 9.2)



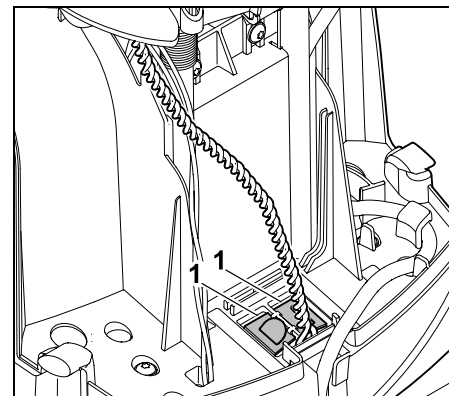
Colocar un manguito (1) sobre ambos extremos de cable (2).



- 1 Abrir la palanca del borne izquierdo (1).
- 2 Introducir el extremo de cable sin aislar (2) hasta el tope en la regleta de bornes.
- 3 Cerrar la palanca del borne (1).

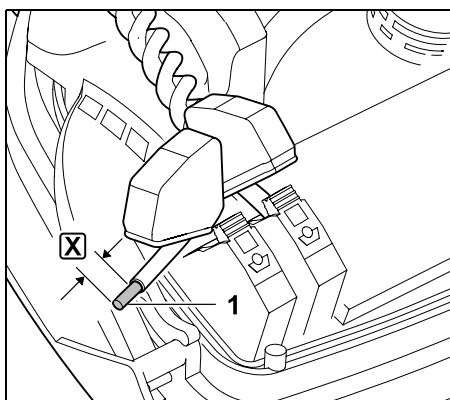


- 1 Abrir la palanca del borne derecho (1).
- 2 Introducir el extremo de cable sin aislar (2) hasta el tope en la regleta de bornes.
- 3 Cerrar la palanca del borne (1).



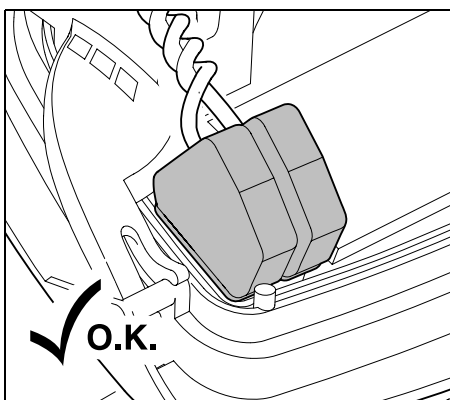
Cerrar las cubiertas del canal de cables (1).

- Una vez concluidos los trabajos, pulsar la tecla OK.



Desaislar el extremo de cable derecho (1) con una herramienta apropiada a la longitud indicada X y retorcer el cable trenzado.

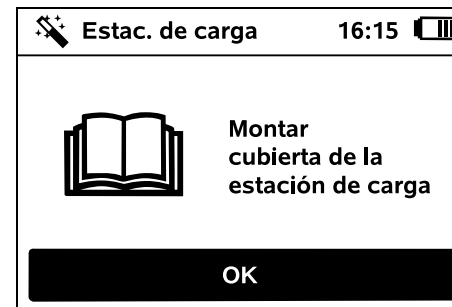
X = 10-12 mm



Colocar manguitos sobre las regletas de bornes.

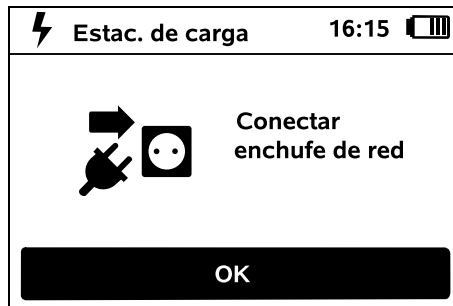
Controlar la fijación de los extremos de cable en la regleta de bornes: los dos extremos de cable deben estar bien sujetos.

- Cerrar el panel. (⇒ 9.2)

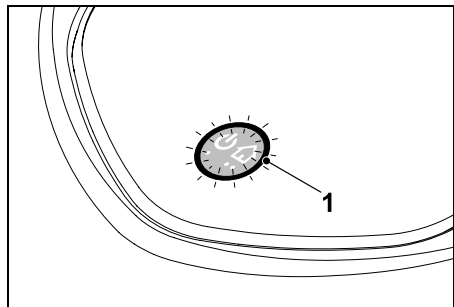


Montar la cubierta. (⇒ 9.2)

Pulsar la tecla OK.

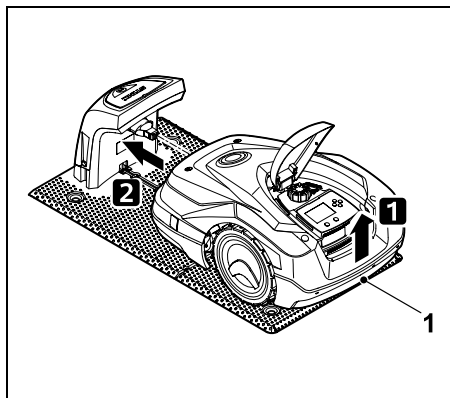
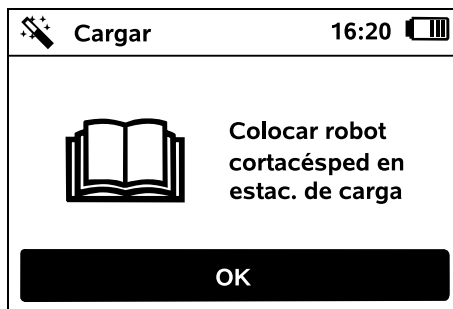


Enchufar el conector de la fuente de alimentación a la red eléctrica y, a continuación, pulsar la tecla OK.



Cuando el cable delimitador esté instalado correctamente y la estación de carga esté conectada a la red eléctrica, se encenderá el LED (1).

i Tener en cuenta las indicaciones del capítulo "Mandos de la estación de carga", especialmente si el LED no se enciende como se describe. (⇒ 9.2)



Levantar el robot cortacésped ligeramente por el asa de transporte (1) para descargar las ruedas motrices. Desplazar la máquina a la estación de carga apoyándola sobre las ruedas delanteras.

A continuación, pulsar la tecla OK en el display.

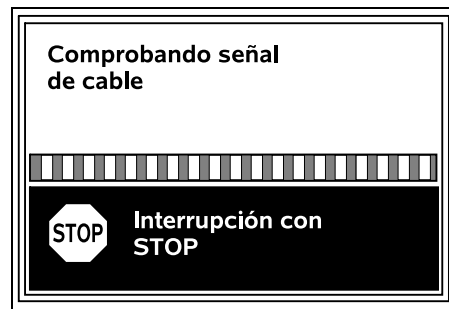


i Si la batería está descargada, después de conectar el robot a la estación de carga aparecerá en la esquina superior derecha del display el símbolo de un enchufe de red en lugar del símbolo de la batería, y esta se cargará mientras se tiende el cable delimitador. (⇒ 15.7)



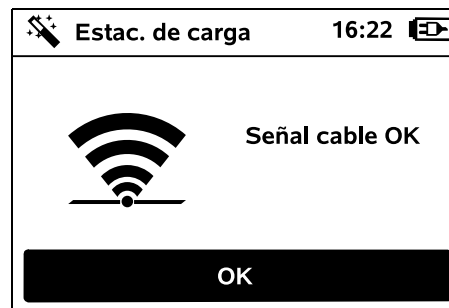
9.11 Conectar el robot cortacésped y la estación de carga

i El robot cortacésped solo puede ponerse en funcionamiento si recibe correctamente la señal de cable emitida por la estación de carga. (⇒ 11.16)



La comprobación de la señal de cable puede durar varios minutos. Con la tecla STOP roja, situada en la parte superior de la máquina, se interrumpe la conexión y se accede al paso anterior del asistente de instalación.

Recepción normal



Señal cable OK:

En el display se visualiza el texto "Señal cable OK". El robot cortacésped y la estación de carga están conectados correctamente.



Proseguir con la primera instalación pulsando la tecla OK.



Una vez realizada con éxito la conexión se activará el modo de energía "Estándar". (⇒ 11.10)

Recepción perturbada

El robot cortacésped no recibe **ninguna señal de cable**: En el display se visualiza el texto "Ninguna señal de cable".



El robot cortacésped recibe una **señal de cable perturbada**: En el display se visualiza el texto "Comprobar señal cable".



El robot cortacésped recibe una **señal de cable invertida**: En el display se visualiza el texto "Conexiones intercambiadas o robot corta fuera".



Posible causa:

- Anomalía temporal
- El robot cortacésped no está conectado a la estación
- El cable delimitador está conectado con polarización invertida
- La estación de carga está desconectada o no está conectada a la red eléctrica
- Conexiones de enchufe deficientes
- Longitud del cable delimitador inferior al mínimo
- Cable de red enrollado en las cercanías de la estación de carga

- Extremos del cable delimitador demasiado largos o no trenzados suficientemente entre sí
- Rotura del cable delimitador
- Señales externas, como un teléfono móvil o la señal de otra estación de carga
- Cables de corriente subterráneos, hormigón armado o metales perturbadores bajo el suelo de la estación de carga
- Longitud máxima del cable delimitador sobrepasada (⇒ 12.1)

Solución:

- Repetir la conexión sin adoptar ninguna otra medida
- Conectar el robot cortacésped a la estación de carga (⇒ 15.6)
- Conectar correctamente los extremos del cable delimitador (⇒ 9.10)
- Comprobar la conexión de red de la estación de carga, desenrollar el cable de red en las cercanías de la estación de carga; no depositarlo enrollado
- Comprobar la posición de los extremos de cable en el bloque de sujeción; recortar los extremos de cable demasiado largos o retorcerlos (⇒ 9.10)
- En superficies a cortar más pequeñas con una longitud de cable inferior a 80 m, es necesario instalar el accesorio AKM 100 suministrado junto con el cable delimitador (⇒ 9.9)
- Comprobar el indicador LED en la estación de carga (⇒ 13.1)
- Reparar cualquier cable roto

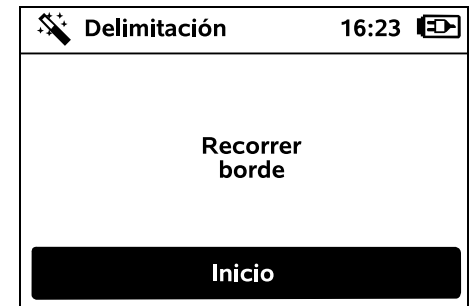
- Desconectar los teléfonos móviles o estaciones de carga cercanas
- Cambiar la posición de la estación de carga o retirar las fuentes de interferencias debajo de esta
- Utilizar un cable delimitador de mayor sección (accesorio especial)

Una vez adoptada(s) la(s) medida(s) correspondiente(s), repetir la conexión pulsando la tecla OK.



Si la señal de cable no pudiera recibirse correctamente y las medidas descritas no resultaran útiles, contactar con un distribuidor especializado.

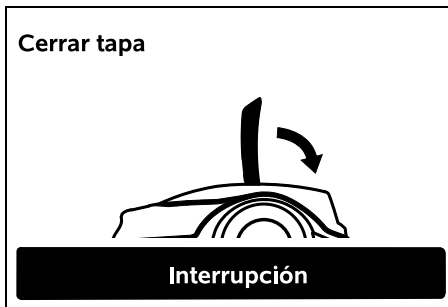
9.12 Comprobar la instalación



Iniciar un recorrido del borde pulsando la tecla OK. La cuchilla no se activa en este proceso.



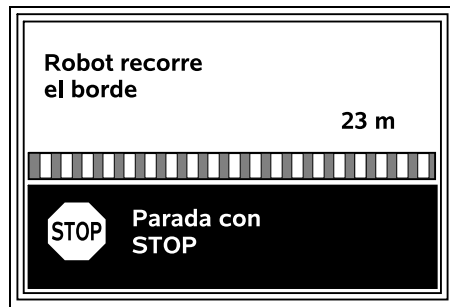
Después de la instalación inicial, el robot cortacésped recorre el borde de la superficie a cortar alternativamente en ambas direcciones. Por esta razón, habría que comprobar el recorrido del borde en ambas direcciones durante la primera instalación.



Cerrar la tapa del robot cortacésped. (⇒ 15.2) Solo con la tapa cerrada el robot cortacésped arranca independientemente y recorre el borde a lo largo del cable delimitador.

i Con el recorrido del borde se define la **zona de hogar** del robot cortacésped. (⇒ 14.5)

Si antes de iniciar el recorrido del borde el robot cortacésped no recibe una señal de GPS, en el display aparecerá el texto "Esperando GPS". Si no se recibe ninguna señal de GPS, aun así el robot cortacésped iniciará el recorrido del borde después de algunos minutos. Más tarde deberá ejecutarse entonces la función "Comprobar borde" (⇒ 11.13), para poder usar el protector GPS, pues de lo contrario no estaría definida una zona de hogar.



Durante el recorrido de borde, caminar detrás del robot cortacésped y asegurarse de que

- recorra el borde de la superficie a cortar como está planificado,
- las distancias a los obstáculos y los límites de la superficie a cortar sean correctas,
- la conexión y desconexión de la estación de carga funcione correctamente.

En el display se muestra la distancia recorrida. Esta indicación de metros se necesita para el ajuste de **puntos de inicio** en el borde de la superficie a cortar. (⇒ 11.14)

- Leer y anotar el valor indicado en el lugar deseado. Ajustar manualmente el punto de inicio tras finalizar la primera instalación.

El recorrido del borde se interrumpe automáticamente si se detecta un obstáculo o si se recorren pendientes con una inclinación excesiva, o de forma manual pulsando la tecla STOP.

- Si el recorrido del borde se interrumpió automáticamente, corregir la posición del cable delimitador y/o eliminar los obstáculos.

- Antes de continuar recorriendo el borde, controlar la posición del robot cortacésped. La máquina debe encontrarse ya sea sobre el cable delimitador o dentro de la superficie a cortar, con la parte delantera en dirección al cable delimitador.

Proseguir tras una interrupción:

Después de una interrupción, continuar recorriendo el borde seleccionando **OK**.

i STIHL recomienda no interrumpir el recorrido del borde. Podrían no detectarse posibles problemas que se produzcan al recorrer el borde de la superficie a cortar o al conectarse a la estación de carga.

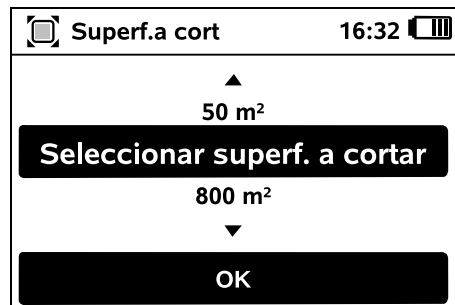
En caso necesario, el recorrido del borde se puede volver a realizar tras la primera instalación. (⇒ 11.13)

Tras haber realizado una vuelta completa alrededor de la superficie a cortar, el robot cortacésped se conecta a la estación de carga. Después aparecerá una consulta, preguntando si ha de iniciarse una segunda vuelta en dirección contraria.


Finalización automática del recorrido del borde:

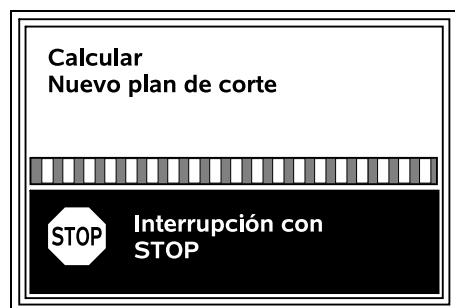
Una vez realizada la conexión a la estación de carga después de la segunda vuelta completa, o tras rechazar el recorrido de borde en dirección contraria, se procede al siguiente paso del asistente de instalación.

9.13 Programar el robot cortacésped

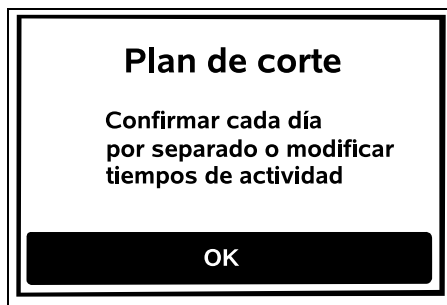


Introducir el tamaño de la superficie de césped y confirmar los datos con **OK**.

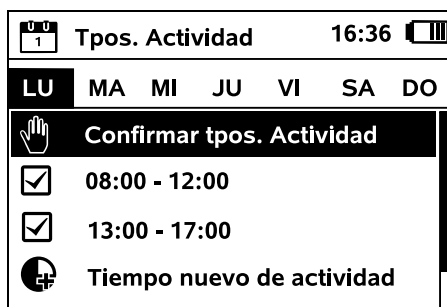
 Las superficies prohibidas o contiguas instaladas no se deben incluir en el cálculo del tamaño de la superficie a cortar.




Se calcula un nuevo plan de corte. Con la tecla STOP roja, situada en la parte superior de la máquina, se puede cancelar el proceso.





Confirmar la indicación "Confirmar cada día por separado o modificar tiempos de actividad" pulsando la tecla **OK**.





Se muestran los tiempos de actividad del lunes, y el punto de menú **Confirmar tpos. Actividad** está activado. 

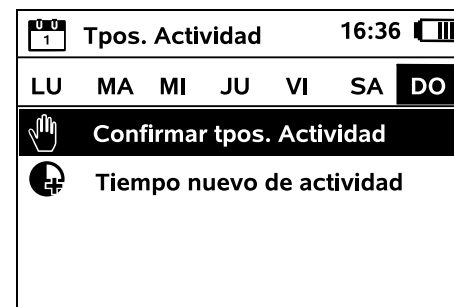
Con **OK** se confirman todos los tiempos de actividad y se muestra el siguiente día. **OK**

 En superficies a cortar pequeñas no se utilizan todos los días de la semana para cortar césped. En ese caso, no se muestra ningún tiempo de actividad y se suprime el punto de menú "Borr.todos tpos.actividad". Los días sin tiempos de actividad también deben confirmarse con **OK**.

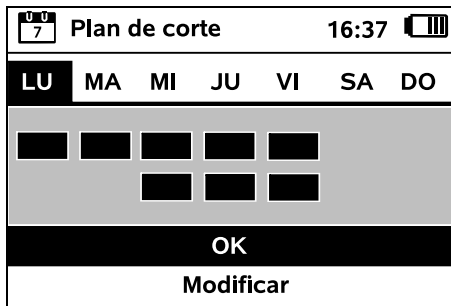
Los **tiempos de actividad** mostrados se pueden modificar. Seleccionar para ello el intervalo de tiempo deseado con el botón multidireccional, y abrirlo pulsando **OK**. (⇒ 14.3) 

Si se desean tiempos de actividad adicionales, seleccionar el punto de menú **Tiempo nuevo de actividad** y abrirlo con **OK**. En la ventana de selección, determinar el tiempo de inicio y de fin del nuevo tiempo de actividad y confirmarlo con **OK**. Son posibles hasta tres tiempos de actividad al día. 

Si se desea borrar todos los tiempos de actividad mostrados, seleccionar el punto de menú **Borr.todos tpos.actividad** y confirmarlo con **OK**. 



Una vez confirmados los tiempos de actividad del domingo, se mostrará el plan de corte. **OK**



Con OK se confirma el plan de corte mostrado y se procede al paso final del asistente de instalación. **OK**

Si es necesario realizar modificaciones, seleccionar **Modificar** y ajustar individualmente los tiempos de actividad.

! Durante los tiempos de actividad se debe mantener a terceros alejados de la zona de peligro. Los tiempos de actividad se deben adaptar correspondientemente.

Además, se deben respetar las normas locales sobre el uso de robots cortacésped y las indicaciones del capítulo "Para su seguridad" (⇒ 6.) y, en caso necesario, modificar los tiempos de actividad inmediatamente o una vez finalizada la primera instalación en el menú "Plan de corte". (⇒ 11.7)

Sobre todo habría que preguntar a las autoridades responsables, en qué horario de día y de noche se puede utilizar la máquina.

9.14 Finalizar la primera instalación

! Retirar de la superficie a cortar todos los cuerpos extraños (p. ej. juguetes, herramientas).



Finalizar la primera instalación pulsando la tecla OK. **OK**

! Tras la primera instalación se encuentra activado el nivel de seguridad "Ninguna".

Recomendación:
Ajustar el nivel de seguridad "Baja", "Media" o "Alta". De ese modo se garantiza que ninguna persona no autorizada pueda modificar los ajustes y poner en marcha el robot cortacésped con otras estaciones de carga. (⇒ 11.16)
Activar también el protector GPS. (⇒ 5.9)



Para que puedan aprovecharse todas las funciones del robot cortacésped, hay que instalar e iniciar la **aplicación iMOW®** en un smartphone o una tableta con conexión a Internet y receptor GPS. (⇒ 10.)

Cerrar la ventana de diálogo con la tecla OK. **OK**

9.15 Primer proceso de corte tras finalizar la primera instalación

Si la finalización de la primera instalación coincide con un tiempo de actividad, el robot cortacésped comienza inmediatamente a trabajar la superficie a cortar.




Si la finalización de la primera instalación se realiza fuera del tiempo de actividad, se puede iniciar un proceso de corte pulsando la tecla OK. Seleccionar "No" si no se desea que el robot cortacésped comience a cortar. **OK**

10. Aplicación iMOW®

El robot cortacésped puede manejarse con la **aplicación iMOW®**. La aplicación se puede obtener para los sistemas operativos más habituales en el App Store correspondiente.


i En la página web.imow.stihl.com/systems/ se puede encontrar más información.

 Las normas descritas en el capítulo "Para su seguridad" son válidas también para todos los usuarios de la **aplicación iMOW®**. (⇒ 6.)

Activación:

Para que la aplicación y el robot cortacésped puedan intercambiar datos, el distribuidor especializado deberá activar la máquina con la dirección de correo electrónico del propietario. La dirección de correo electrónico recibirá un enlace para realizar la activación.

La **aplicación iMOW®** debe instalarse en un smartphone o una tableta con conexión a Internet y receptor GPS. El receptor del correo electrónico se configura como administrador y usuario principal de la aplicación y tiene pleno acceso a todas las funciones.


 La dirección de correo electrónico y la contraseña deben guardarse en un lugar seguro, para que la **aplicación iMOW®** pueda instalarse otra vez en caso de cambiar el smartphone o tableta (p. ej., por haberse extraviado).

Tráfico de datos:

La transmisión de datos del robot cortacésped a Internet (servicio M2M) está incluida en el precio de compra.


La transmisión de datos no se realiza permanentemente, por lo que puede tardar algunos minutos.

Debido a la transmisión de datos de la aplicación a Internet, y en función de su contrato, se generan costos con su proveedor de telefonía móvil o proveedor de Internet, que deberá asumir usted mismo.

 Sin conexión de telefonía móvil y aplicación, el protector GPS solo está disponible sin correo electrónico, sin notificación por SMS y sin mensajes Push.

Funciones principales de la aplicación:

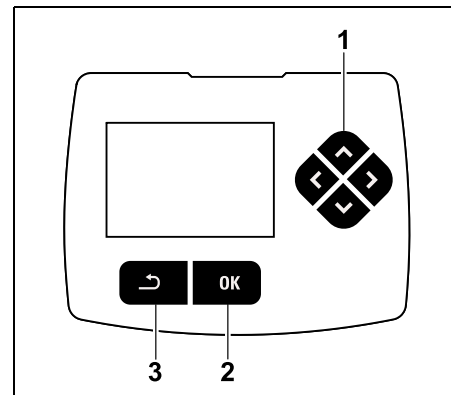
- Ver y modificar el plan de corte
- Iniciar el corte
- Conectar/desconectar el servicio automático
- Enviar el robot cortacésped a la estación de carga
- Modificar la fecha y la hora

 La modificación del plan de corte, el inicio de un proceso de corte, la conexión y desconexión del servicio automático, el envío del robot cortacésped a la estación de carga, y la modificación de la fecha y la hora, pueden dar lugar a actividades inesperadas para otras personas. Por esta razón, siempre hay que informar de antemano a las personas afectadas sobre posibles actividades del robot cortacésped.

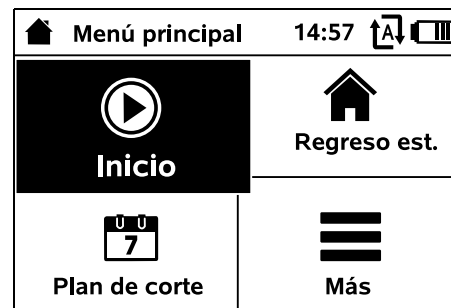
- Consultar la información de la máquina (Información equipo) y la ubicación del robot cortacésped

11. Menú

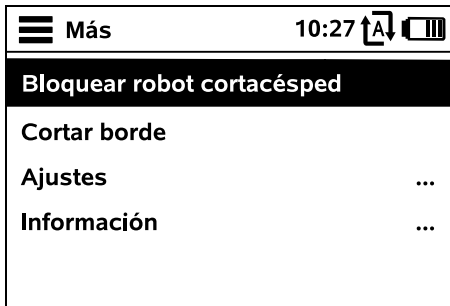
11.1 Instrucciones de manejo



Cuatro teclas de dirección constituyen el botón multidireccional (1). Este sirve para navegar por los menús. Con la tecla OK (2) se confirman los ajustes y se abren los menús. Con la tecla Volver (3) se puede salir nuevamente de un menú.



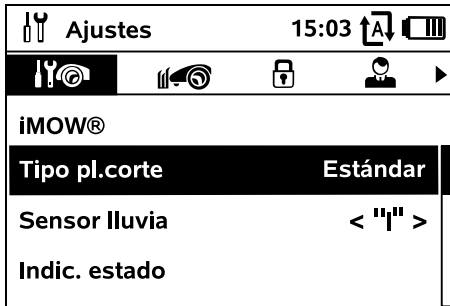
El menú principal consta de 4 submenús, representados como botones. El submenú seleccionado se destaca en negro y se abre con la tecla OK.



El segundo nivel del menú se representa como una lista. Los submenús se seleccionan pulsando el botón multidireccional hacia abajo o hacia arriba. Las entradas de menú activas se destacan en negro.

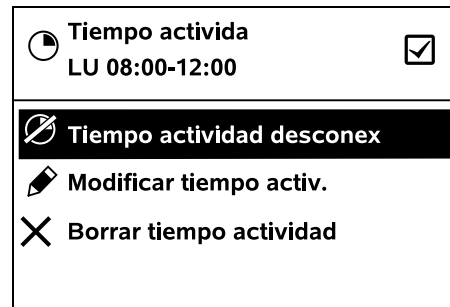
La barra de desplazamiento situada en el borde derecho de la pantalla indica que se pueden ver otras entradas pulsando el botón multidireccional hacia arriba o hacia abajo.

Los submenús se abren pulsando la tecla OK.



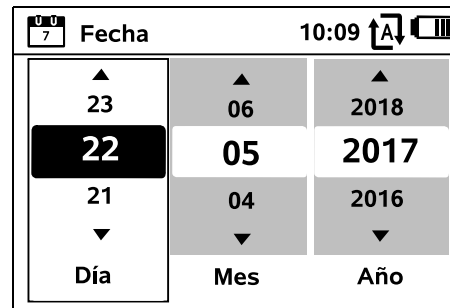
Los submenús "Ajustes" e "Información" se representan como fichas. Las fichas se seleccionan pulsando el botón multidireccional hacia la izquierda o hacia la derecha; los submenús se seleccionan pulsando el botón

multidireccional hacia arriba o hacia abajo. Las fichas o entradas de menú activas se destacan en negro.



En los submenús se alistan opciones. Las entradas de lista activas se destacan en negro. Pulsando la tecla OK se abre una ventana de selección o una ventana de diálogo.

Ventana de selección:



Los valores de ajuste pueden modificarse pulsando el botón multidireccional. El valor actual aparece destacado en negro. Todos los valores se confirman con la tecla OK.

Ventana de diálogo:

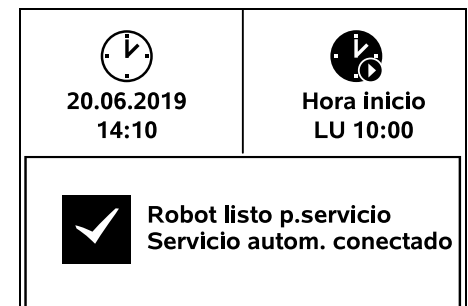


Si hay que memorizar modificaciones o confirmar mensajes, aparece una ventana de diálogo en el display. El botón activo se destaca en negro.

Si existe una posibilidad de selección, puede activarse el botón correspondiente pulsando el botón multidireccional hacia la izquierda o derecha.

Con la tecla OK se confirma la opción seleccionada y se abre el menú de orden superior.

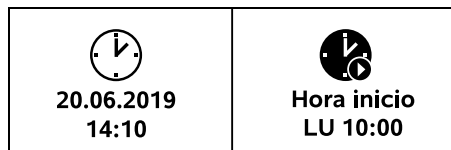
11.2 Indicador de estado



El indicador de estado aparece

- cuando se finaliza el modo de espera del robot cortacésped pulsando una tecla.

- cuando se pulsa la tecla Volver en el menú principal.
- mientras está funcionando la máquina.



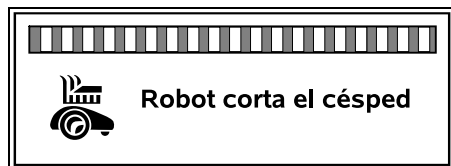
En la parte superior del indicador hay dos campos configurables en los que se puede ver diversa información sobre el robot cortacésped y los procesos de corte. (⇒ 11.12)

Información de estado sin actividad en curso:



En la parte inferior del indicador aparece el nombre del robot cortacésped (⇒ 10.), el texto "Robot listo p.servicio" junto con el símbolo ilustrado, el estado del servicio automático (⇒ 15.4), e información sobre el protector GPS (⇒ 5.9).


Información de estado durante actividades en curso:





Durante un **proceso de corte** aparece en el display el texto "Robot corta el césped" y un símbolo correspondiente. La información de texto y el símbolo se adaptan al proceso activo en ese momento.





Antes del proceso de corte se muestra el texto "¡Atención! – Robot cortac. arranca" y un símbolo de advertencia.


 Una iluminación parpadeante del display y una señal acústica avisan adicionalmente acerca del arranque inminente del motor de corte. La cuchilla se conecta solo unos segundos después de que el robot cortacésped se haya puesto en movimiento.

Cortar borde: Mientras el robot cortacésped trabaja el borde de la superficie a cortar, aparece el texto "Se cortará el borde". 

Ir a la estación de carga: Si el robot cortacésped regresa a la estación de carga, en el display aparece el motivo concreto (p. ej., batería descargada (= Acumul. descargado), corte finalizado). 

Carga de la batería: Cuando se está cargando la batería aparece el texto "Acumulador se está cargando". 


Recorrer puntos de inicio: Cuando el robot cortacésped recorre un punto de inicio al comenzar un proceso de corte, aparece el texto "Se recorre punto de inicio". 

Recorrer zona deseada: Cuando el robot cortacésped recorre una zona deseada al comenzar un proceso de corte, aparece el texto "Se recorre zona deseada". 

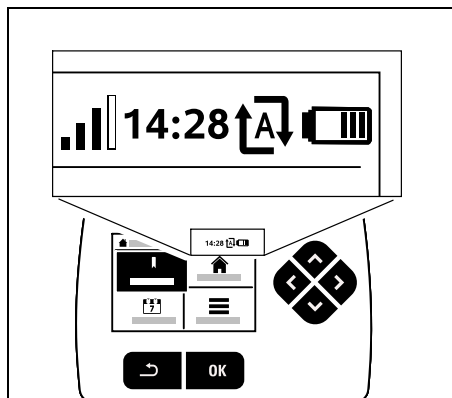
Indicación de mensajes:



Las averías, anomalías o recomendaciones se indican junto con el símbolo de advertencia, la fecha, la hora y el código del mensaje. Si hay varios mensajes activos, estos aparecen de forma alternativa. (⇒ 24.)

 Si el robot cortacésped está listo para el servicio, aparecen alternativamente el mensaje y la información de estado.

11.3 Campo de información



En la esquina superior derecha del display se indica la siguiente información:

1. Estado de carga de la batería o proceso de carga
2. Estado del servicio automático
3. Hora
4. Señal móvil

1. Estado de carga:

El **símbolo de la batería** sirve para indicar el estado de carga.

Sin barra – Batería descargada
1 a 5 barras – Batería parcialmente descargada
6 barras – Batería completamente cargada



Durante el proceso de carga se muestra un **símbolo de enchufe de red** en vez del símbolo de la batería.



2. Estado del servicio automático:

Si el servicio automático está conectado se muestra el **símbolo del servicio automático**.



3. Hora:

La hora actual se visualiza en el formato de 24 horas.

4. Señal móvil:

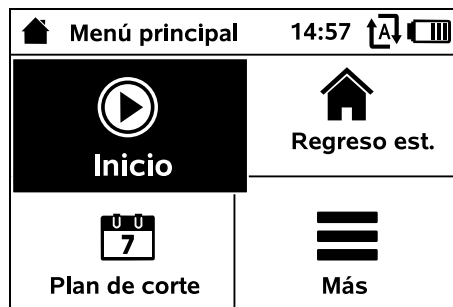
La **intensidad de señal** de la conexión móvil se indica con 4 barras. Cuantas más barras estén completas, mejor será la recepción.



Un símbolo de recepción con una x minúscula indica que no existe una conexión con Internet.

Durante la inicialización del módulo de radio (comprobación de hardware y software, p. ej., tras conectar el robot cortacésped) se muestra un signo de interrogación.

11.4 Menú principal



El menú principal se visualiza

- cuando se apaga el indicador de estado (⇒ 11.2) pulsando la tecla OK.
- cuando se pulsa la tecla Volver en el segundo nivel del menú.

1. Inicio (⇒ 11.5)

Tiempo corte
Pto. de inicio
Corte en



2. Regreso est. (⇒ 11.6)

3. Plan de corte (⇒ 11.7)

Servicio automático
Dur. de corte
Tpos. Actividad
Nuevo plan de corte

4. Más (⇒ 11.8)

Bloquear robot cortacésped
Cortar borde
Ajustes
Información



11.5 Inicio

	Iniciar el corte	15:02		
Tiempo corte		1.5 h		
Pto. de inicio	Pto. de inicio 1			
Corte en	Superf. princ.			

1. Tiempo corte:

El tiempo de corte puede determinarse.

2. Pto. de inicio:

Puede seleccionarse el punto de inicio, a partir del cual el robot cortacésped comienza a cortar el césped. Esta selección solo está disponible si se han determinado puntos de inicio y el robot cortacésped se encuentra en la estación de carga.


3. Corte en:

La superficie a cortar puede seleccionarse. Esta selección solo está disponible si se ha instalado una superficie contigua.

11.6 Regreso est.

El robot cortacésped regresa a la estación de carga y carga la batería. Con el servicio automático conectado, el robot cortacésped vuelve a trabajar la superficie a cortar en el tiempo de actividad más cercano posible.



 El robot cortacésped también puede enviarse de vuelta a la estación de carga con la aplicación. (⇒ 10.)

11.7 Plan de corte

U U 7	Plan de corte	11:02			
Servicio automático		ON			
Dur. de corte		18 h			
Tpos. Actividad		...			
Nuevo plan de corte					

Servicio automático

ON - El servicio automático está conectado. El robot cortacésped corta el césped en el siguiente tiempo de actividad.

OFF - Todos los tiempos de actividad están desactivados.


Hacer una pausa hoy - El robot cortacésped no circula automáticamente hasta el día siguiente. Esta selección solo está disponible si todavía hay tiempos de actividad pendientes ese mismo día.

Dur. de corte

Es posible ajustar la duración de corte semanal. Este ajuste solo es posible en el tipo de plan de corte "Dinámico". El valor preajustado está adaptado al tamaño de la superficie a cortar. (⇒ 14.4)




Tener en cuenta las indicaciones del capítulo "Adaptar la programación". (⇒ 15.3)


 La duración de corte puede ajustarse también con la aplicación. (⇒ 10.)

Tiempos de actividad

U U 7	Plan de corte	17:30				
LU	MA	MI	JU	VI	SA	DO
■	■	■	■	■	■	■
■	■	■	■	■	■	■
■	■	■	■	■	■	■

El **plan de corte memorizado** se abre mediante el menú "Tpos. Actividad" del menú "Plan de corte". Las superficies rectangulares de cada día representan los tiempos de actividad memorizados. En los tiempos de actividad marcados en negro puede cortarse el césped. Las superficies grises representan tiempos de actividad sin procesos de corte (p. ej., cuando un tiempo de actividad está desconectado).

 Con el servicio automático desconectado, todo el plan de corte está inactivo y todos los tiempos de actividad aparecen en gris.


Si se desea procesar los tiempos de actividad de **un solo día**, hay que activar el día con el botón 

multidireccional (pulsándolo hacia la izquierda o hacia la derecha) y abrir el submenú **Tpos. Actividad**.


U U 1	Tpos. Actividad	15:32				
LU	MA	MI	JU	VI	SA	DO
<input checked="" type="checkbox"/>	<input checked="" type="checkbox"/>	<input checked="" type="checkbox"/>	<input checked="" type="checkbox"/>	<input checked="" type="checkbox"/>	<input checked="" type="checkbox"/>	<input checked="" type="checkbox"/>
<input checked="" type="checkbox"/>		08:00 - 12:00				
<input checked="" type="checkbox"/>		13:00 - 17:00				
<input checked="" type="checkbox"/>			Tiempo nuevo de actividad			
<input checked="" type="checkbox"/>			Borr.todos tpos.actividad			

En los tiempos de actividad **con marca** (marcados en negro en el plan de corte) está permitido cortar el césped.


En los tiempos de actividad **sin marca** (marcados en gris en el plan de corte) no está permitido cortar el césped.

 Tener en cuenta las indicaciones del capítulo "Indicaciones para cortar – Tiempos de actividad". (⇒ 14.3)

Sobre todo hay que mantener a terceros alejados de la zona de peligro durante los tiempos de actividad.

 Los tiempos de actividad también se pueden procesar con la aplicación. (⇒ 10.)

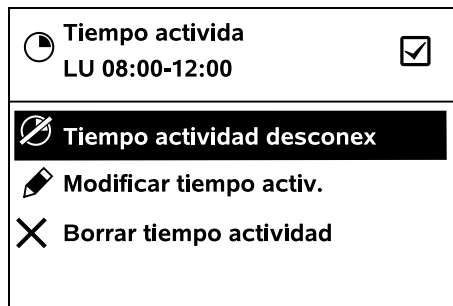
Los tiempos de actividad memorizados se pueden seleccionar y procesar por separado.

La opción de menú **Tiempo nuevo de actividad** se puede seleccionar mientras se hayan memorizado menos de 3 tiempos de actividad al día. 

Un tiempo de actividad adicional no se puede solapar con otros tiempos de actividad.

Si no se desea que el robot cortacésped corte en el día seleccionado, se debe seleccionar el punto de menú **Borr.todos tpos.actividad**.

Modificar tiempos de actividad:



Con la opción **Tiempo actividad desconex** o **Tiempo actividad conexión** se bloquea o se activa el tiempo de actividad seleccionado para el corte automático.

Con la opción **Modificar tiempo activ.** se pueden modificar los plazos de tiempo.

Si ya no se necesita el tiempo de actividad seleccionado, se debe seleccionar la opción de menú **Borrar tiempo actividad**.

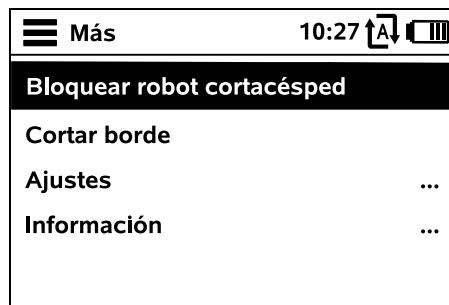
i Si los plazos de tiempo no son suficientes para los procesos de corte y de carga necesarios, se deben prolongar o añadir tiempos de actividad, o se debe reducir la duración de corte. En el display aparecerá un mensaje advirtiendo de ello.

Nuevo plan de corte

El comando **Nuevo plan de corte** borra todos los tiempos de actividad memorizados. Se abre el paso "Programar el robot cortacésped" del asistente de instalación. (⇒ 9.13)

i Si el momento de finalización de la nueva programación coincidiera con un tiempo de actividad, el robot cortacésped iniciará un proceso de corte automático tras confirmarse cada uno de los planes diarios.

11.8 Más



1. Bloquear robot cortacésped:

Activar **Bloq. equipo**.

Para desbloquear, pulsar la combinación de teclas indicada. (⇒ 5.2)

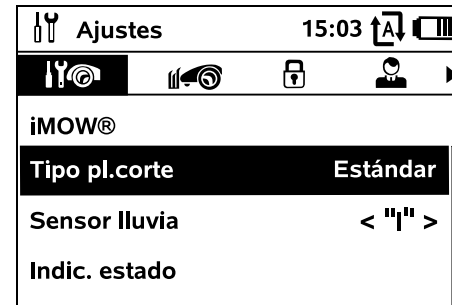
2. Cortar borde:

Tras activar este comando, el robot cortacésped corta el borde de la superficie a cortar. Después de una vuelta, el robot regresa a la estación de carga y carga la batería.

3. Ajustes (⇒ 11.9)

4. Información (⇒ 11.18)

11.9 Ajustes



1. iMOW®:

Adaptación de los ajustes de la máquina (⇒ 11.10)

2. Instalación:

Adaptación y comprobación de la instalación (⇒ 11.13)

3. Seguridad:

Adaptación de los ajustes de seguridad (⇒ 11.16)

4. Servicio:

Mantenimiento y servicio técnico (⇒ 11.17)

5. Área Distribui.:

El menú está protegido por el **código del distribuidor**. El distribuidor especializado realiza diferentes tareas de mantenimiento y servicio técnico con la ayuda de este menú.

11.10 Ajustes de la máquina iMOW®

1. Tipo pl.corte:

Estándar: El robot corta el césped durante todo el tiempo de actividad. Los procesos de carga son los únicos que interrumpen los procesos de corte. El tipo de plan de corte Estándar está preajustado.

Dinámico: El número y la duración de los tiempos de corte y carga incluidos en los tiempos de actividad se adaptan de forma totalmente automática.

2. Sensor lluvia:

El sensor de lluvia se puede ajustar para que el corte se interrumpa o no se inicie en caso de lluvia.



- Ajustar el sensor de lluvia (⇒ 11.11)

3. Indic. estado:

Selección de la información que debe aparecer en el indicador de estado. (⇒ 11.2)



- Ajustar el indicador de estado (⇒ 11.12)

4. Hora:

Ajuste de la hora actual.



Para evitar que el robot cortacésped trabaje en momentos no deseados, la hora ajustada debe coincidir con la hora real.



La hora puede ajustarse también con la aplicación. (⇒ 10.)

5. Fecha:

Ajuste de la fecha actual.



Para evitar que el robot cortacésped trabaje en momentos no deseados, la fecha ajustada debe coincidir con la fecha real.



La fecha puede ajustarse también con la aplicación. (⇒ 10.)

6. Formato fecha:

Ajuste del formato de fecha deseado.



7. Idioma:

Ajuste del idioma deseado del display. Por defecto está ajustado el idioma que se seleccionó en la primera instalación.



8. Contraste:

El contraste del display se puede ajustar en caso necesario.



9. Modo energía:

En el modo **Estándar**, el robot cortacésped está en todo momento conectado a Internet y se puede acceder a él mediante la aplicación. (⇒ 10.)



En **ECO** se desactiva la radiocomunicación en períodos de reposo para reducir el consumo de energía; en tales casos no se puede acceder al robot cortacésped mediante la aplicación. En la aplicación se visualizan los últimos datos disponibles.

11.11 Ajustar el sensor de lluvia

Para ajustar el sensor de 5 niveles, presionar el botón multidireccional hacia la izquierda o hacia la derecha. El valor actual se representa en el menú "Ajustes" con un gráfico de trazos.



El desplazamiento del regulador influye

- en la sensibilidad del sensor de lluvia,
- en el tiempo que debe esperar el robot cortacésped después de un período de lluvia, hasta que se seque la superficie del sensor.

Con una **sensibilidad media**, el robot cortacésped está preparado para ser usado en condiciones externas normales.



Desplazar la barra más **hacia la izquierda** para ajustar el corte con mayor humedad. Si la barra se desplaza completamente a la



izquierda, el robot cortacésped también cortará en condiciones externas de humedad y no interrumpirá el proceso de corte cuando caigan gotas de lluvia sobre el sensor.

Desplazar la barra más **hacia la derecha** para ajustar el corte con menor humedad. Con la barra desplazada



completamente a la derecha, el robot cortacésped cortará únicamente cuando el sensor de lluvia esté totalmente seco.

11.12 Ajustar el indicador de estado

Para configurar el indicador de estado, seleccionar el indicador izquierdo o derecho con el botón multidireccional y confirmar con OK.

Estado carga:

Indicación del símbolo de la batería junto con el estado de carga en porcentaje



Resto tiempo:

Duración de corte restante de la semana en curso, en horas y minutos. Esta indicación solo está disponible en el tipo de plan de corte "Dinámico".



Hora y fecha:

Fecha y hora actual



Hora inicio:

Inicio del siguiente proceso de corte planificado. En un tiempo de actividad en curso se muestra el texto "activo".



Proceso corte:

Número de todos los procesos de corte realizados hasta ahora



Horas corte:

Duración de todos los procesos de corte realizados hasta ahora



Recorrido:

Recorrido total



Red:

Intensidad de señal de la conexión móvil con identificación de red. Una x minúscula o un signo de interrogación indican que el robot cortacésped no está conectado a Internet. (⇒ 11.3), (⇒ 11.18)



Recepción GPS:

Coordenadas GPS del robot cortacésped. (⇒ 11.18)



11.13 Instalación

1. Corredor:

Activar y desactivar el regreso desplazado.

Si está activado el "corredor", el robot cortacésped circula con un desplazamiento hacia dentro a lo largo del cable delimitador para regresar a la estación de carga.



Si no se ha memorizado ninguna cartografía para el regreso directo a la estación (⇒ 11.15), el regreso del robot cortacésped se realizará en el borde y se tomarán en cuenta los ajustes para el corredor.

Se pueden seleccionar **tres variantes**:

OFF: ajuste estándar

El robot cortacésped se desplaza a lo largo del cable delimitador.

Estrecho: 40 cm

El robot cortacésped circula

alternativamente a lo largo del cable delimitador o con un desplazamiento de 40 cm.

Ancho: 40 - 80 cm

Dentro de este corredor, la distancia al cable delimitador se elige al azar cada vez que el robot regresa a la estación de carga.



En combinación con una estación de carga externa, así como con pasillos y pasos estrechos, hay que instalar **lazos de búsqueda** para el regreso desplazado. (⇒ 12.12)

Para el regreso desplazado hay que tener en cuenta una distancia mínima del cable de 2 m.

2. Puntos inicio:

El robot cortacésped comienza los procesos de corte en la estación de carga (ajuste estándar) o en uno de los puntos de inicio.



Los puntos de inicio deben definirse,

- si se pretende recorrer de forma controlada partes de la superficie que no se están trabajando lo suficiente.
- si solo se puede acceder a ciertas zonas a través de un pasillo. En estas partes de la superficie hay que determinar por lo menos un punto de inicio.

A los puntos de inicio se les puede asignar un **radio**. En tal caso, cuando inicia el proceso de corte en el punto de inicio respectivo, el robot cortacésped comienza a cortar siempre dentro del área del círculo alrededor del punto de inicio. Solo después de haber trabajado esta parte de la superficie se continúa el proceso de corte en la superficie restante.

- Ajustar los puntos de inicio (⇒ 11.14)

3. Regreso directo a la estación:

Crear una cartografía interna de la superficie a cortar para el regreso directo a la estación de carga. (⇒ 11.15)

4. Superficies contiguas:

Habilitar las superficies contiguas.



Inactivo: ajuste estándar

Activo: ajuste cuando deban cortarse las superficies contiguas. En el menú "Inicio" debe seleccionarse la superficie a cortar (Superf. princ./Super. contigua). (⇒ 12.10)

5. Cortar borde:

Determinar la frecuencia de corte del borde.



Nunca: el borde no se corta nunca.

Una vez: ajuste estándar; el borde se corta una vez por semana.

Dos veces/tres veces/cuatro

veces/cinco veces: el borde se corta dos/tres/cuatro/cinco veces por semana.

6. Comprobar borde:

Iniciar un recorrido de borde para comprobar si el cable está tendido correctamente.



Se abre el paso del asistente de instalación "Comprobar instalación". (⇒ 9.12)



Para comprobar el tendido correcto del cable alrededor de superficies prohibidas, colocar el robot cortacésped en la superficie a cortar con la parte delantera orientada hacia la superficie prohibida e iniciar el recorrido del borde.

Durante el recorrido de borde se define la zona de hogar del robot cortacésped. Una zona de hogar que ya ha sido memorizada se puede ampliar en caso necesario. (⇒ 14.5)

7. Nueva instalación:

El asistente de instalación se vuelve a iniciar y el plan de corte existente se borra. (⇒ 9.)



11.14 Ajustar los puntos de inicio


Para ajustar se puede decidir

- grabar los puntos de inicio o
- seleccionar el punto de inicio deseado y definirlo manualmente.


Grabar puntos inicio:

Después de pulsar la tecla OK, el robot cortacésped inicia una marcha de grabación a lo largo del cable delimitador. Si no está conectado a la estación de carga, el robot primero se desplazará hacia allá. Se borrarán todos los puntos de inicio existentes.



 Durante la marcha de grabación se define la zona de hogar del robot cortacésped. Una zona de hogar que ya ha sido memorizada se puede ampliar en caso necesario. (⇒ 14.5)

Durante la marcha se pueden determinar hasta 4 puntos de inicio pulsando la tecla OK después de abrir la tapa.

 Si se pulsa la tecla STOP antes de abrir la tapa, se interrumpirá la marcha de grabación. Una interrupción solo suele ser necesaria para cambiar el curso del cable o eliminar los obstáculos.

Interrupción del proceso de grabación:

Manual: pulsando la tecla STOP.

Automática: a través de obstáculos en el borde de la superficie a cortar.

- Si la marcha de grabación se interrumpió automáticamente, corregir la posición del cable delimitador y/o eliminar los obstáculos.
- Comprobar la posición del robot cortacésped antes de continuar con la marcha de grabación. La máquina debe encontrarse ya sea sobre el cable delimitador o dentro de la superficie a cortar, con la parte delantera en dirección al cable delimitador.

Finalización de proceso de grabación:

Manual: tras una interrupción.

Automática: tras la conexión a la estación de carga.

Los nuevos puntos de inicio se memorizan confirmándolos con OK (después de abrir la tapa) tras la conexión a la estación de carga o tras la interrupción.

Frecuencia de inicio:

Con la frecuencia de inicio se define la frecuencia en la que debe iniciarse un proceso de corte en un determinado punto de inicio. El ajuste estándar es 2 de 10 procesos de corte (2/10) en cada punto de inicio.

- En caso necesario, después de grabar los puntos se puede modificar la frecuencia de inicio.
- Si el proceso de grabación ha finalizado antes de tiempo, enviar el robot cortacésped a la estación de carga con un comando. (⇒ 11.6)
- Alrededor de cada punto de inicio grabado, puede determinarse un **radio** de 3 m a 30 m. De forma estándar, a los puntos de inicio no se les ha asignado ningún radio.



Puntos de inicio con radio:

Si el proceso de corte se inicia en el punto de inicio respectivo, el robot cortacésped cortará primero la superficie parcial ubicada dentro del segmento circular alrededor del punto de inicio. Solo después trabajará el resto de la superficie a cortar.

Ajustar manualmente el punto de inicio 1 a 4:

Determinar la distancia entre los puntos de inicio y la estación de carga y definir la frecuencia de inicio.

La **distancia** equivale al recorrido desde la estación de carga hasta el punto de inicio en metros, medido en sentido de las agujas del reloj.

La **frecuencia de inicio** puede encontrarse entre 0 de 10 (0/10) y 10 de 10 procesos de corte (10/10).

Alrededor del punto de inicio puede determinarse un **radio** de 3 m a 30 m.



La **estación de carga** se define como **punto de inicio**

0. De forma estándar, los procesos de corte se inician desde allí.

La frecuencia de inicio equivale al valor restante calculado sobre la base de 10 de 10 salidas.




11.15 Regreso directo a la estación

La identificación inteligente de rutas hace posible que el robot cortacésped regrese a la estación de carga de una forma más directa y eficiente.

activo - El regreso directo a la estación está activado. El robot cortacésped se desplaza a la estación de carga atravesando la superficie a cortar.

inactivo - El regreso directo a la estación está desactivado. El robot cortacésped se desplaza a la estación de carga a lo largo del cable delimitador.

Grabación - Se crea una cartografía interna de la superficie a cortar. Si ya hay un mapa memorizado, este se borrará.

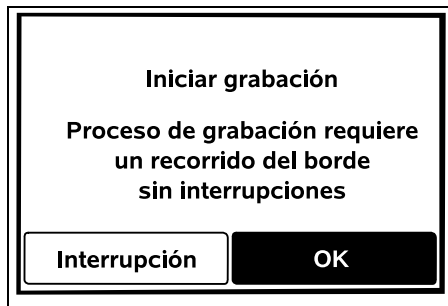
 Durante la marcha de grabación se memoriza un mapa interno de la superficie a cortar. Para ello debe realizarse el recorrido del borde sin interrupciones.

Condiciones para la cartografía de la superficie a cortar:

- El robot cortacésped debe recorrer toda la longitud del cable delimitador sin interrupciones.
- Los obstáculos y errores en el tendido de cable producen interrupciones. Los obstáculos deben retirarse y el tendido de cable debe corregirse en caso necesario.

Realizar la cartografía de la superficie a cortar:

- Seleccionar el punto de menú "Grabación".
- El proceso de grabación requiere un recorrido del borde sin interrupciones.




- Retirar los obstáculos a lo largo del cable delimitador. Confirmar con OK.
- Si ya existe un mapa interno, en el display se preguntará si debe borrarse este mapa.
- Si se confirma con OK, cerrar la tapa. El robot cortacésped recorrerá el borde. El mapa interno de la superficie a cortar se creará en un segundo plano.

Si la cartografía de la superficie a cortar se realizó con éxito:


- El proceso de grabación se finaliza automáticamente mediante la conexión del robot cortacésped a la estación de carga.
- Aparecerá el mensaje "Proceso de grabación exitoso". El regreso directo a la estación está activado.


Si se interrumpe el recorrido del borde:

 El recorrido del borde se interrumpe al chocar contra obstáculos, o bien se puede interrumpir accionando la tecla STOP manualmente.

Tras una interrupción, la estación de carga deberá iniciar nuevamente la marcha de grabación.

- Aparecerá el mensaje "Interr. grabación - Grabación ha fallado".
- En el display se preguntará si debe interrumpirse el recorrido del borde. Si se responde que no: el robot cortacésped se desplazará independientemente a la estación de carga a lo largo del cable delimitador. La marcha de grabación debe iniciarse nuevamente para que la cartografía tenga éxito. Si se responde que sí: transportar la máquina manualmente a la estación de carga.
- En el display se preguntará si ha de repetirse el proceso de grabación.
- Si se confirma con un "sí", colocar el robot cortacésped en la estación de carga, confirmar con OK y cerrar la tapa. El proceso de grabación iniciará nuevamente.

 Si se realizan adaptaciones del tendido del cable delimitador, el mapa de la superficie a cortar deberá crearse de nuevo.

 Si el paso "Comprobar borde" de la primera instalación se está realizando sin interrupciones, ya se estará creando automáticamente un mapa de la superficie a cortar en un segundo plano.

11.16 Seguridad

1. Bloq. equipo
2. Nivel
3. Protector GPS
4. Modificar código PIN
5. Señal inicio

- 6. Tonos menú
- 7. Bloq. teclado
- 8. Conex. robot+est.car.

1. Bloq. equipo:

Con OK se activa el bloqueo de la máquina; el robot cortacésped ya no puede ponerse en servicio.



Antes de cualquier trabajo de mantenimiento y limpieza, así como antes del transporte o la revisión, se debe bloquear el robot cortacésped. (⇒ 5.2)

- Para anular el bloqueo de la máquina, pulsar la combinación de teclas indicada.

2. Nivel:

Se pueden ajustar 4 niveles de seguridad y, según el nivel, se activarán determinados bloqueos y dispositivos de protección.



- **Ninguna:**
El robot cortacésped no está protegido.
- **Baja:**
La solicitud del PIN está activada; la conexión del robot cortacésped y la estación de carga y el restablecimiento de la máquina a los ajustes de fábrica solo son posibles tras introducir el código PIN.
- **Media:**
Como "Baja"; además está activado el bloqueo temporal.
- **Alta:**
Siempre es necesario introducir un código PIN.



STIHL recomienda ajustar uno de los niveles de seguridad "Baja", "Media" o "Alta".

- Seleccionar el nivel deseado y confirmarlo con OK. En caso necesario, introducir el código PIN de 4 cifras.

Solicitud PIN:

Si el cortacésped se vuelca durante más de 10 segundos, aparecerá una solicitud del código PIN. Si no se introduce el código PIN en el intervalo de 1 minuto, suena un tono de alarma y además se desconecta el servicio automático.

Conex. con PIN:

Solicitud del código PIN antes de realizarse la conexión del robot cortacésped y la estación de carga.

Reseteo con PIN:

Solicitud del código PIN antes del restablecimiento de la máquina a los ajustes de fábrica.

Bloq.temporal:

Solicitud del código PIN para la modificación de un ajuste, si no se ha introducido el código PIN durante más de 1 mes.

Ajustes con PIN:

Solicitud del código PIN cuando se están modificando ajustes.

3. Protector GPS:

Conexión o desconexión del control de posición. (⇒ 5.9)



Recomendación:

Conectar siempre el protector GPS. Antes de la conexión hay que registrar el número del móvil del propietario en la aplicación (⇒ 10.) y ajustar en el robot cortacésped uno de los niveles de seguridad "Baja", "Media" o "Alta".

4. Modificar código PIN:

El código PIN de 4 cifras se puede modificar en caso necesario.



La opción de menú "Modificar código PIN" solo se muestra en los niveles de seguridad "Baja", "Media" o "Alta".

- Introducir primero el código PIN antiguo y confirmar con OK.
- Ajustar el nuevo código PIN de 4 cifras y confirmar con OK.



STIHL recomienda tomar nota del código PIN modificado.

Si se introduce el código PIN incorrectamente 5 veces, es necesario introducir un **código maestro** de 4 cifras, y además se desconecta el servicio automático.

Para crear el código maestro, póngase en contacto con su distribuidor especializado STIHL o directamente con el servicio de asistencia técnica de iMOW® a través de support@imow.stihl.com. Comunique el número de serie de 9 dígitos y la fecha de 4 dígitos que aparecen en la pantalla del iMOW®.

5. Señal inicio:

Conexión o desconexión de la señal acústica que suena antes de conectarse la cuchilla.



6. Tonos menú:

Conexión o desconexión de la señal de clic que suena cuando se abre un menú o se confirma una selección con OK.



7. Bloq. teclado:

Si el bloqueo del teclado está activado, solo se pueden utilizar las teclas del display si antes se pulsa y mantiene pulsada la tecla **Volver**, a continuación, se pulsa el botón



multidireccional **hacia delante**.

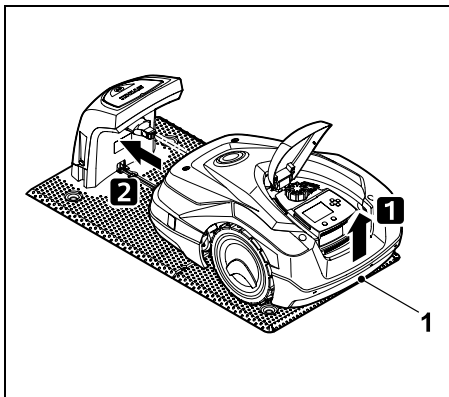
El bloqueo del teclado se activa 2 minutos después de pulsar la última tecla.

8. Conexión robot+est.carg.:

Tras la primera puesta en servicio el robot cortacésped funciona exclusivamente con la estación de carga instalada.

Después de cambiar la estación de carga o componentes electrónicos del robot cortacésped, o para ponerlo en servicio en otra superficie a cortar con una estación de carga diferente, es necesario establecer la conexión entre el robot cortacésped y la estación de carga.

- Instalar la estación de carga y conectar el cable delimitador. (⇒ 9.8), (⇒ 9.10)



Después de pulsar la tecla OK, introducir el código PIN; a continuación, el robot cortacésped buscará la señal de cable y la memorizará automáticamente. El proceso dura varios minutos. (⇒ 9.11)

- Después de pulsar la tecla OK, introducir el código PIN; a continuación, el robot cortacésped buscará la señal de cable y la memorizará automáticamente. El proceso dura varios minutos. (⇒ 9.11)

i En el nivel de seguridad "Ninguna" no es necesario el código PIN.

11.17 Servicio

1. Cambio de cuchilla:

El montaje de una nueva cuchilla se confirma con OK. El contador se resetea.

2. Buscar rotura cable:

Si el LED rojo de la estación de carga parpadea rápidamente, significa que el cable delimitador está interrumpido. (⇒ 13.1)

- Buscar rotura de cable (⇒ 16.7)


3. Parada inv.:

Con OK el robot cortacésped se pone en el modo de parada invernal; los ajustes permanecen guardados y se restablecen la hora y la fecha.

- Cargar completamente la batería antes de la parada invernal.
- Durante la nueva puesta en servicio, reactivar la máquina pulsando cualquier tecla.

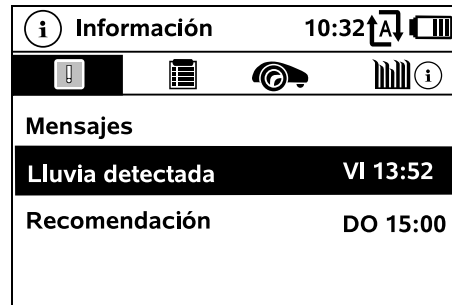
4. Restablecim. ajustes:

Con OK se restablece el robot cortacésped a los ajustes de fábrica y se vuelve a iniciar el asistente de instalación. (⇒ 9.6)

- Después de pulsar la tecla OK, introducir el código PIN. 

i En el nivel de seguridad "Ninguna" no es necesario el código PIN.

11.18 Información



1. Mensajes:


Lista de todas las averías, anomalías y recomendaciones activas, indicadas junto con el momento de su aparición. Si la máquina funciona sin problemas, aparece el texto "No hay mensajes". Los detalles de los mensajes se visualizan pulsando la tecla OK. (⇒ 24.)

2. Eventos:

Lista de las últimas actividades del robot cortacésped. Los detalles de los eventos (texto adicional, momento y código) se visualizan pulsando la tecla OK.

i Si algunas actividades aparecen con excesiva frecuencia, consulte a su distribuidor especializado para que le dé más detalles. Las averías durante el servicio normal se documentan en los mensajes.

3. Estado robot cortac.:

Información sobre el robot cortacésped 

- Estado carga:
Carga de la batería en porcentaje

- Resto tiempo:
Duración de corte restante de la semana en curso, en horas y minutos
- Fecha y hora
- Hora inicio:
Inicio del siguiente proceso de corte planificado
- Número de todos los procesos de corte finalizados
- Horas corte:
Duración de todos los procesos de corte finalizados en horas
- Recorrido:
Recorrido total en metros
- Ser.-No.:
Número de serie del robot cortacésped, que también aparece en la placa de modelo (véase Descripción de la máquina). (⇒ 3.1)
- Batería:
Número de serie de la batería
- Software:
Software instalado en la máquina

4. Estado césped:

Información sobre la superficie de césped



- Superficie a cortar en metros cuadrados:
El valor se introduce en la primera instalación o en una nueva instalación. (⇒ 9.13)
- Tiempo vuelta:
Duración de una vuelta en la superficie a cortar en minutos y segundos
- Puntos inicio 1 – 4:
Distancia entre el punto de inicio respectivo y la estación de carga en metros, medida en el sentido de las agujas del reloj. (⇒ 11.14)

- Perímetro:
Perímetro de la superficie a cortar en metros
- Cortar borde:
Frecuencia semanal del corte de bordes (⇒ 11.13)

5. Estado módulo de radio:

Información sobre el módulo de radio



- Satélites:
Número de satélites accesibles
- Posición:
Posición actual del robot cortacésped; disponible cuando la conexión por satélite es suficiente
- Intensidad de señal:
Intensidad de señal de conexión móvil; la conexión mejora en función del número de signos "+" ("++++" como máx.)
- Red:
Identificación de red, compuesta por el código de país (MCC) y el código de proveedor (MNC)
- N° telefonía móvil:
Número de móvil del propietario; se introduce en la aplicación. (⇒ 10.)
- IMEI:
Número de hardware del módulo de radio
- IMSI:
Identificación internacional del abonado de telefonía móvil
- SW:
Versión de software del módulo de radio
- Ser.-No.:
Número de serie del módulo de radio

- N.serie módem:
Número de serie del módem

12. Cable delimitador



Antes de tender el cable delimitador, especialmente antes de la primera instalación, leer el capítulo completo y planificar el tendido de cable.



Realizar la primera instalación con el asistente de instalación. (⇒ 9.)

Si necesitara ayuda, acuda a su Distribuidor especializado STIHL para preparar la superficie a cortar e instalar el cable delimitador.

Antes de fijar definitivamente el cable delimitador, se debe comprobar la instalación. (⇒ 9.) Los ajustes al tendido de cable suelen ser necesarios en pasillos, áreas estrechas o superficies prohibidas.

Se pueden producir desviaciones

- cuando se llevan al extremo las posibilidades técnicas del robot cortacésped, por ejemplo, con pasillos muy largos, o cuando se tiende el cable en las cercanías de objetos de metal o por encima de metal oculto bajo el césped (p. ej., líneas eléctricas o tuberías de agua),
- cuando se altera estructuralmente la superficie a cortar para adaptarla a la aplicación del robot cortacésped.

i Las distancias de cable indicadas en este manual de instrucciones están adaptadas al tendido del cable delimitador en la superficie de césped.

El cable delimitador también puede enterrarse hasta 10 cm de profundidad (p. ej., con una máquina de tendido subterráneo).

Por regla general, el enterramiento del cable delimitador influye en la recepción de señales, sobre todo cuando se tienden placas o adoquines encima de él. Eventualmente el robot cortacésped circulará desplazado más hacia fuera a lo largo del cable delimitador, lo cual requerirá un mayor espacio en pasillos, pasos estrechos y al recorrer el borde. Adaptar el tendido del cable en caso necesario.

12.1 Planificar el tendido del cable delimitador

i Observar los **ejemplos de instalación** al final del manual de instrucciones. (⇒ 27.)
Instalar también las superficies prohibidas, pasillos, superficies contiguas, lazos de búsqueda y reservas de cable durante el tendido del cable delimitador, a fin de evitar correcciones posteriores.

- Especificar la **posición de la estación de carga** (⇒ 9.1)
- Eliminar los **obstáculos** en la superficie a cortar o prever superficies prohibidas. (⇒ 12.9)

- **Cable delimitador:**
El cable delimitador debe tenderse en un lazo continuo alrededor de toda la superficie a cortar.
Longitud máxima:
500 m

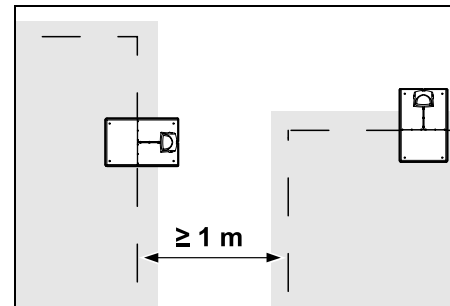
i En superficies a cortar pequeñas con una longitud de cable inferior a 80 m, es necesario instalar el accesorio **AKM 100** suministrado junto con el cable delimitador. (⇒ 9.9)

- **Pasillos y superficies contiguas:**
Para cortar con el servicio automático, conectar todas las áreas de la superficie a cortar con **pasillos**. (⇒ 12.11)
Si no hay espacio suficiente, se deben acondicionar **superficies contiguas**. (⇒ 12.10)

- Durante el tendido del cable delimitador, tener en cuenta las **distancias** (⇒ 12.5):
Si hay superficies transitables limítrofes (escalones menores de +/- 1 cm, p. ej., caminos): **0 cm**
en el caso de pasillos: **22 cm**
en el caso de obstáculos altos (p. ej., muros o árboles): **28 cm**
de distancia mínima de cable en pasos estrechos: **44 cm**
en superficies con agua y puntos que podrían provocar una caída (bordes, escalones): **100 cm**

- **Esquinas:**
Evitar el tendido en ángulos estrechos (de menos de 90°)
- **Lazos de búsqueda:**
Si se desea utilizar el regreso desplazado (corredor), hay que instalar lazos de búsqueda en los pasillos o en la estación de carga externa. (⇒ 12.12)

- **Reservas de cable:**
Para que el tendido del cable delimitador se pueda modificar posteriormente con mayor facilidad, pueden instalarse varias reservas de cable. (⇒ 12.15)



Las superficies a cortar no deben solaparse. Debe mantenerse una distancia mínima de ≥ 1 m entre los cables delimitadores de dos superficies a cortar.

i Los trozos restantes enrollados de cable delimitador pueden causar perturbaciones y tienen que eliminarse.

12.2 Preparar un croquis de la superficie a cortar



Al instalar el robot cortacésped y la estación de carga, es recomendable preparar un croquis de la superficie a cortar. Al comienzo de este manual de instrucciones se dispone de una página para ello. Este croquis se debe actualizar en caso de que haya modificaciones posteriores.

Contenido del croquis:

- **Contorno de la superficie a cortar** con obstáculos importantes, límites y otras superficies prohibidas en las que no debe trabajar el robot cortacésped. (⇒ 27.)
- Posición de la **estación de carga** (⇒ 9.8)
- Ubicación del **cable delimitador**
En poco tiempo el cable delimitador se integra en el suelo y deja de estar a la vista. Anotar especialmente el tendido del cable alrededor de los obstáculos. (⇒ 9.9)
- Ubicación de los **conectores de cable**
Los conectores de cable utilizados dejan de ser visibles al poco tiempo. Es conveniente anotar su posición para poder cambiarlos en caso necesario. (⇒ 12.16)

12.3 Tender el cable delimitador

i Utilizar exclusivamente piquetas y cables delimitadores originales. Los **kits de instalación** y el material de instalación necesario se pueden obtener como accesorio en el distribuidor especializado STIHL. (⇒ 18.)

La dirección de tendido del cable se puede elegir según sea necesario (en sentido horario o antihorario).

No extraer nunca las piquetas sirviéndose del cable delimitador. Utilizar siempre una herramienta adecuada (p. ej., un alicate).

Registrar el recorrido del cable delimitador en un croquis. (⇒ 12.2)

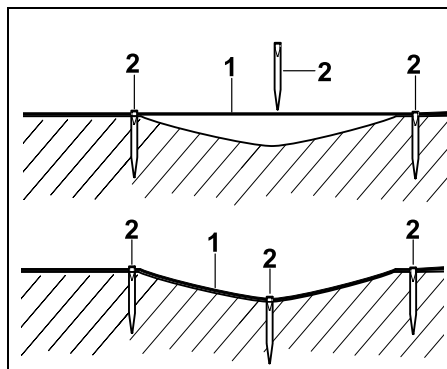
- Instalar la estación de carga. (⇒ 9.8)

- Tender el cable delimitador, partiendo de la estación de carga y rodeando la superficie a cortar y los posibles obstáculos (⇒ 12.9), y fijarlo al suelo con piquetas. Controlar las distancias con la ayuda de la regla virtual iMOW®. (⇒ 12.5)
Tener en cuenta las indicaciones del capítulo "Primera instalación". (⇒ 9.9)
- Conectar el cable delimitador. (⇒ 9.10)



Nota:

Evitar tensar demasiado el cable delimitador para impedir que se rompa. Especialmente si se emplea una máquina para el tendido de cable, comprobar que el cable salga libremente de la bobina.




El cable delimitador (1) se tiende en la superficie, y en caso de irregularidades debe fijarse con piquetas (2) adicionales. De este modo se evita que la cuchilla pueda cortar el cable.

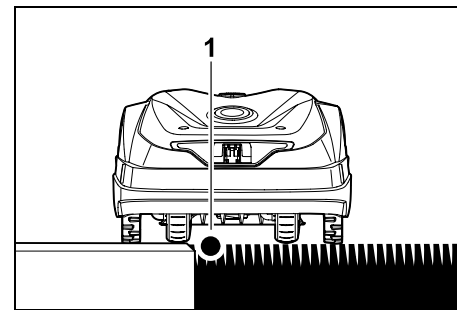
12.4 Conectar el cable delimitador

- Retirar el enchufe de red y, a continuación, la cubierta de la estación de carga.



- Colocar el cable delimitador en la guía de cables de la placa base, pasarlo por la base, desaislar los extremos y conectarlo a la estación de carga. Tener en cuenta las indicaciones del capítulo "Primera instalación". (⇒ 9.10)
- Montar la cubierta de la estación de carga y, a continuación, conectar el enchufe de red. 
- Comprobar la señal de cable. (⇒ 9.11)
- Comprobar la conexión a la estación de carga. (⇒ 15.6)
En caso necesario, corregir la posición del cable delimitador en la zona de la estación de carga.

12.5 Distancias del cable – Usar la regla virtual iMOW®

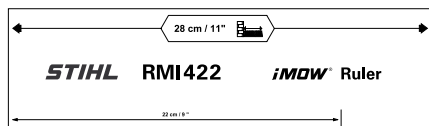


A lo largo de obstáculos transitables, como terrazas y caminos transitables, el cable delimitador (1) puede tenderse **sin guardar distancia**. En tales casos, el robot cortacésped circula con una rueda trasera fuera de la superficie a cortar. Escalón máximo hasta el césped: **+/- 1 cm**

i Durante el cuidado del borde del césped hay que evitar que el cable delimitador resulte dañado. En caso necesario, instalar el cable delimitador a algo de distancia (28 cm) del borde del césped.

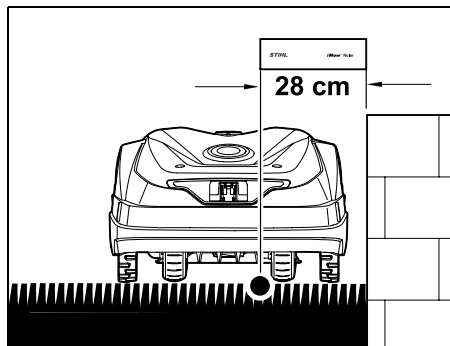
Medir las distancias del cable con la regla virtual iMOW®:

Para que el cable delimitador se coloque a una distancia adecuada del borde de la superficie a cortar y de los obstáculos, se debe utilizar la regla virtual iMOW® para medir esa distancia.



Obstáculo alto:

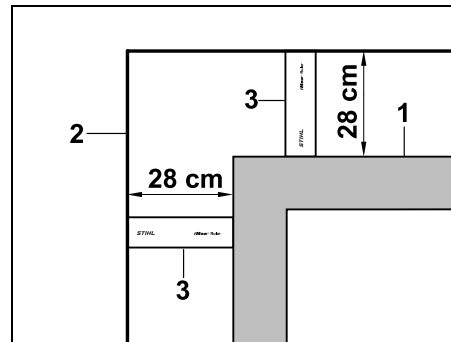
Distancia entre un obstáculo alto y el cable delimitador.



El robot cortacésped debe circular completamente dentro de la superficie a cortar y no debe tocar el obstáculo.

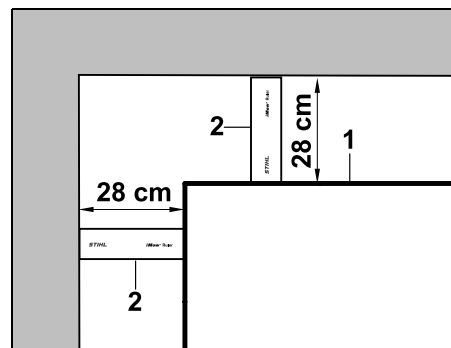
Guardando la distancia de 28 cm, el robot cortacésped circula a lo largo del cable delimitador sin chocar contra el obstáculo alto al rodear su esquina.

Tendido de cable alrededor de obstáculos altos:



Al tender el cable alrededor de obstáculos altos (1), como muros o arriates elevados, en las esquinas se debe mantener exactamente la distancia del cable para que el robot cortacésped no roce el obstáculo. Tender el cable delimitador (2) con ayuda de la regla virtual iMOW® (3), tal como se muestra en la ilustración.

Distancia del cable: 28 cm

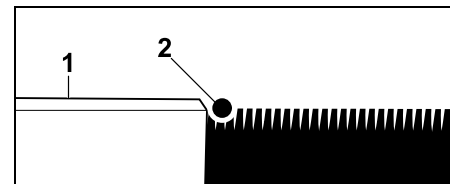


Al tender el cable delimitador (1) en una esquina interior de un obstáculo alto, medir la distancia del cable con la regla virtual iMOW® (2).

Distancia del cable: 28 cm

Medir la altura de los obstáculos:

El robot cortacésped puede recorrer superficies limítrofes, como caminos, si el escalón que se debe superar es menor de +/- 1 cm.

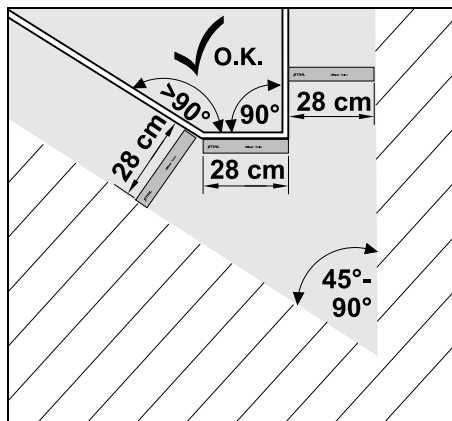


La diferencia de altura con el obstáculo transitable (1) es menor de +/- 1 cm: Tender el cable delimitador (2) sin guardar distancia al obstáculo.

i En caso necesario, ajustar la altura de corte de modo que el robot cortacésped no choque contra obstáculos con su equipo de corte.

Si se ajusta la altura de corte mínima, el robot cortacésped solo podrá superar escalones más bajos de lo indicado.

12.6 Esquinas pronunciadas



En las esquinas pronunciadas del césped ($45^\circ - 90^\circ$) el cable delimitador se tiende como se muestra en la ilustración. Ambos ángulos deben guardar una distancia mínima de **28 cm** para que el robot cortacésped pueda recorrer el borde.

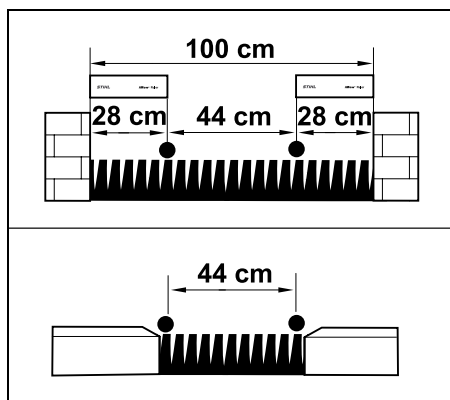
En el tendido del cable no deben incluirse esquinas inferiores a 45° .

12.7 Pasos estrechos

i Si se instalan pasos estrechos, desconectar el regreso desplazado (corredor) (\Rightarrow 11.13) o instalar lazos de búsqueda. (\Rightarrow 12.12)

El robot cortacésped recorrerá automáticamente todos los pasos estrechos siempre que se observe la distancia mínima del cable. Las zonas más estrechas de la superficie a cortar deben delimitarse tendiendo el cable delimitador como corresponda.

Si hay dos superficies a cortar conectadas entre sí por una zona estrecha transitable, se puede instalar un pasillo. (\Rightarrow 12.11)



La distancia mínima del cable es de **44 cm**.

Por tanto, en **pasos estrechos** el espacio necesario es el siguiente:

- Entre obstáculos altos de más de +/- 1 cm de altura, como muros: **100 cm**,
- Entre superficies transitables limítrofes con un escalón menor de +/- 1 cm, como caminos: **44 cm**.

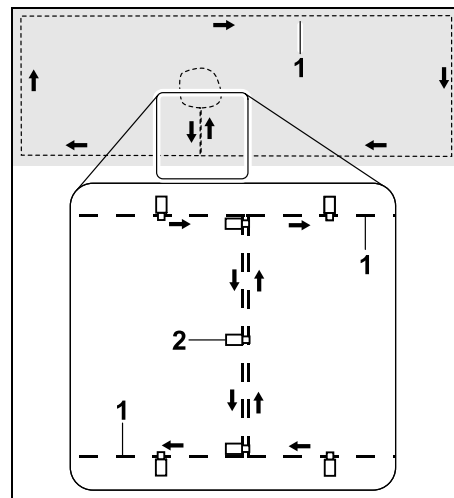
12.8 Instalar tramos de unión

El robot cortacésped ignora la señal del cable delimitador si los cables se tienden muy próximos entre sí y en paralelo. Hay que instalar tramos de unión

- si se tienen que instalar superficies contiguas. (\Rightarrow 12.10)
- si se necesitan superficies prohibidas. (\Rightarrow 12.9)

i STIHL recomienda tender tramos de unión junto con las superficies prohibidas o contiguas correspondientes durante el tendido de cable.

En una instalación posterior, el lazo del cable se debe separar y los tramos de unión se deben unir mediante los conectores de cable suministrados. (\Rightarrow 12.16)



En los tramos de unión, el cable delimitador (1) se tiende en paralelo; los cables no deben cruzarse y deben colocarse muy próximos entre sí. Fijar los tramos de unión al suelo con una cantidad suficiente de piquetas (2).

12.9 Superficies prohibidas

Es necesario instalar superficies prohibidas

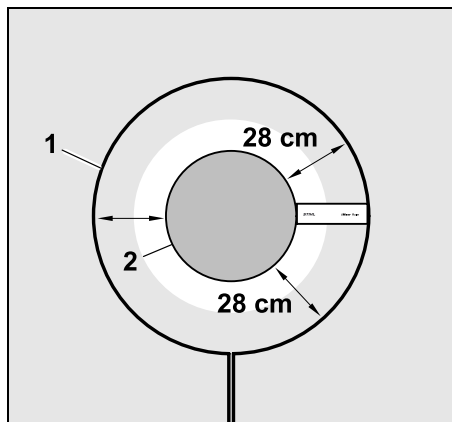
- alrededor de los obstáculos que el robot cortacésped no deba tocar,

- alrededor de los obstáculos que no sean suficientemente estables,
- alrededor de los obstáculos demasiado bajos.
Altura mínima: 8 cm

STIHL recomienda lo siguiente:

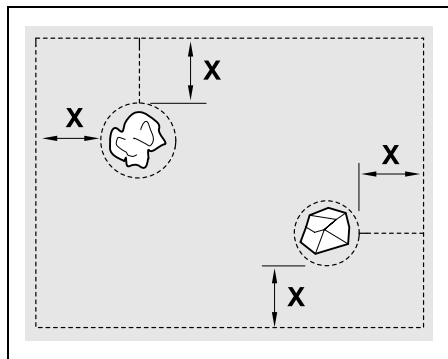
- Retirar los obstáculos o acotarlos con superficies prohibidas.
- Comprobar las superficies prohibidas tras la primera instalación o tras realizar cambios en la instalación de cables mediante el comando "Comprobar borde". (⇒ 11.13)

Distancia para tender el cable delimitador alrededor de una superficie prohibida:
28 cm



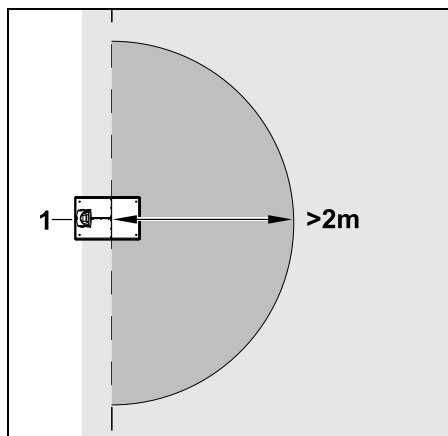
El robot cortacésped circula sin chocar a lo largo del cable delimitador (1) y rodeando el obstáculo (2).

Para garantizar un funcionamiento estable, las superficies prohibidas deben ser básicamente circulares y no presentar formas ovaladas, angulosas o con entrantes.

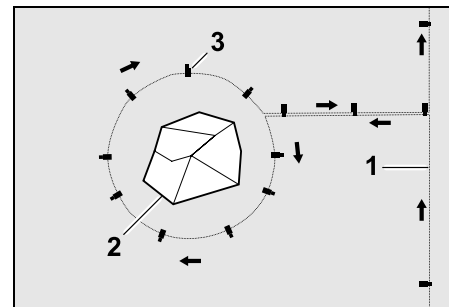


Las superficies prohibidas deben tener un **diámetro mínimo** de 56 cm. La **distancia hasta el lazo del borde (X)** debe ser mayor de 44 cm.

i Recomendación:
Las superficies prohibidas deben tener un diámetro máximo de 2 - 3 m.



Para que la conexión a la estación de carga no se vea afectada, no debe instalarse ninguna superficie prohibida en un radio de al menos **2 m** alrededor de la estación (1).

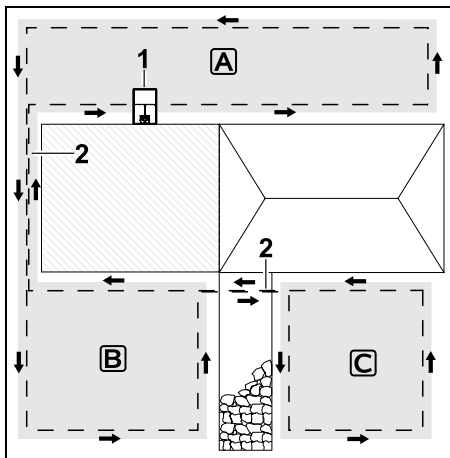


Guiar el cable delimitador (1) desde el borde hasta el obstáculo, tenderlo a una distancia adecuada alrededor del obstáculo (2), y fijarlo al suelo con una cantidad suficiente de piquetas (3). A continuación, volver a colocar el cable delimitador hasta el borde.

El cable delimitador debe tenderse en **paralelo** entre el obstáculo y el borde, en un tramo de unión. Es importante mantener la dirección de tendido alrededor de la superficie prohibida (⇒ 12.8)

12.10 Superficies contiguas

Las superficies contiguas son zonas de la superficie a cortar que el robot cortacésped **no puede trabajar de forma automática** porque no es posible el acceso. De ese modo se pueden rodear con un solo cable delimitador varias superficies a cortar separadas. El robot cortacésped debe transportarse manualmente de una superficie a otra. El proceso de corte se inicia mediante el menú "Inicio" (⇒ 11.5).



La estación de carga (1) se instala en la superficie a cortar **A**, y esta se trabaja de forma totalmente automática según el plan de corte.

Las superficies contiguas **B** y **C** están conectadas mediante tramos de unión (2) con la superficie a cortar **A**. En todas las superficies se debe tender el cable delimitador en la misma dirección. El cable delimitador no debe cruzarse en los tramos de unión.

- Activar las superficies contiguas en el menú "Más – Ajustes – Instalación". (⇒ 11.13)

12.11 Pasillos

Si hay que cortar varias superficies de césped (p. ej., delante y detrás de una casa), se puede instalar un pasillo para conectarlas. De esa forma se pueden trabajar todas las superficies a cortar **automáticamente**.

i En los pasillos, el césped se corta únicamente recorriendo el cable delimitador. En caso necesario, activar el corte automático de bordes o cortar la zona del pasillo manualmente y con regularidad. (⇒ 11.13)

Si se han instalado pasillos, desconectar el regreso desplazado (corredor) (⇒ 11.13) o instalar lazos de búsqueda. (⇒ 12.12)

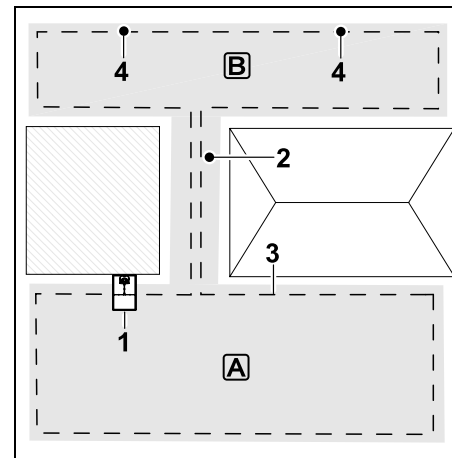
Las distancias de cable indicadas y el modelo de pasillos están adaptados al tendido del cable delimitador por la superficie de césped. Si el cable delimitador discurre a gran profundidad, por ejemplo bajo un adoquinado, las medidas serán distintas. Comprobar el funcionamiento y ajustar el tendido del cable si es necesario.

Requisitos:

- **Ancho mínimo** entre los obstáculos fijos del área del pasillo: 88 cm, entre los caminos transitables: 22 cm.

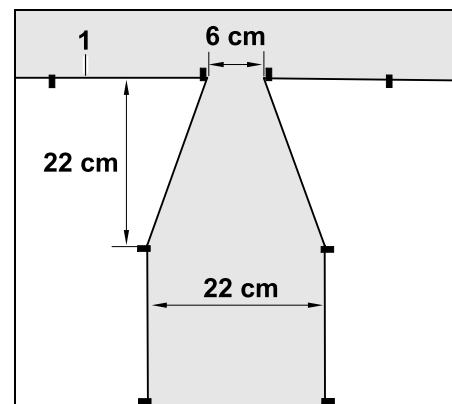
i En pasillos más largos hay que considerar un espacio ligeramente mayor, en función de las condiciones del terreno. A ser posible, los pasillos más largos deben instalarse siempre centrados entre los obstáculos.

- El pasillo se puede transitar libremente.
- En la zona de la segunda superficie a cortar se define un **punto de inicio** como mínimo. (⇒ 11.14)



La estación de carga (1) se instala en la superficie a cortar **A**. La superficie a cortar **B** está conectada por un pasillo (2) con la superficie a cortar **A**. El robot cortacésped puede recorrer el cable delimitador (3) sin interrupciones. Para trabajar la superficie a cortar **B** se deben definir puntos de inicio (4). (⇒ 11.14) Según la configuración (frecuencia de inicio), cada proceso de corte comenzará entonces en un punto de inicio.

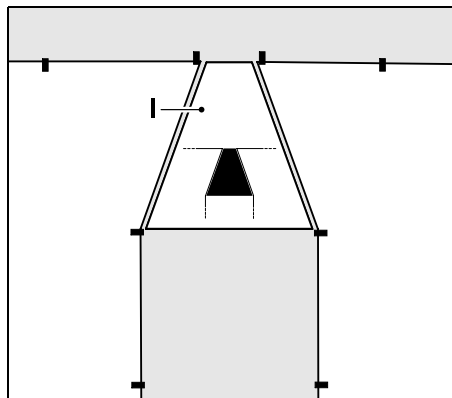
Instalar el principio y el final del pasillo:



Al principio y al final de un pasillo, el cable delimitador (1) se debe tender en forma de embudo, como se muestra en la ilustración. De esta forma se evita que durante el proceso de corte el robot cortacésped entre involuntariamente en el pasillo.

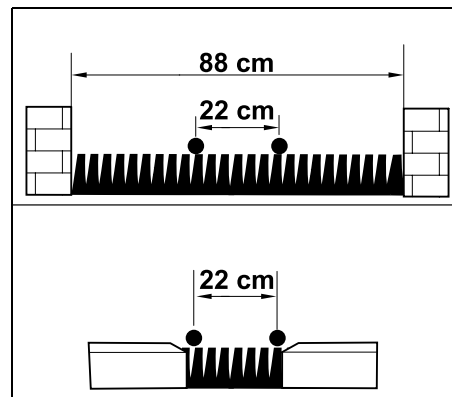
i Las dimensiones dependen en gran medida del entorno y del terreno. En pasillos con un principio y final en forma de embudo hay que comprobar siempre si el robot cortacésped puede atravesarlos.

Tender el cable delimitador aproximadamente una longitud de la máquina en línea recta a izquierda y derecha de la entrada al pasillo.



Para instalar la entrada y salida en forma de embudo, también se puede utilizar el modelo de pasillo (I) suministrado.

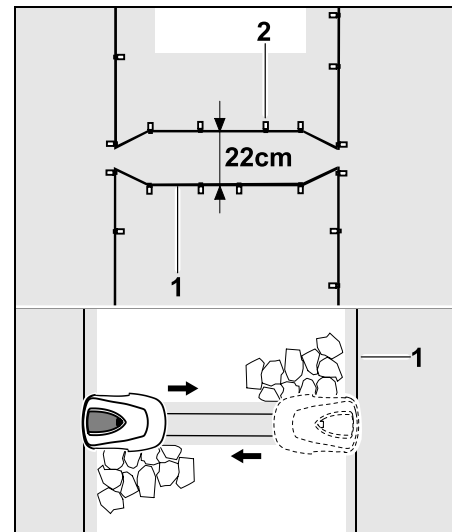
Instalar un pasillo:



Distancia del cable en pasillos: **22 cm**

Por ello se necesita el siguiente espacio:

- entre obstáculos altos (más de 1 cm de altura, por ejemplo muros): **88 cm**,
- entre caminos u obstáculos transitables (menos de 1 cm de altura, como caminos): **22 cm**.



En los pasillos, el cable delimitador (1) se tiende en paralelo y se fija al suelo con un número suficiente de piquetas (2). Al principio y al final del pasillo debe instalarse también una entrada y salida en forma de embudo.

12.12 Lazos de búsqueda para el regreso desplazado

Si se activa el regreso desplazado, es necesario prever lazos de búsqueda

- cuando se instaló una estación de carga externa

o bien

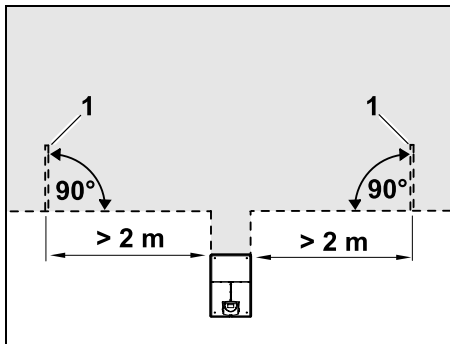
- cuando hay pasillos o pasos estrechos en la superficie a cortar.

Modo de funcionamiento:

Cuando el robot cortacésped sigue al cable delimitador en posición desplazada hacia dentro, cruza uno de los lazos de búsqueda en el curso de su regreso a la

estación de carga. Después se desplaza al cable delimitador y sigue hasta la estación de carga.

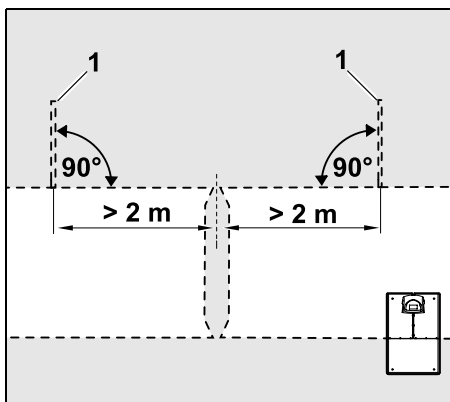
Lazos de búsqueda con una estación de carga externa:



En el lado derecho e izquierdo del acceso a la estación de carga externa hay que instalar dos lazos de búsqueda (1) en un ángulo de 90° con respecto al cable delimitador.

Distancia mínima al acceso: 2 m

Lazos de búsqueda con pasillos:



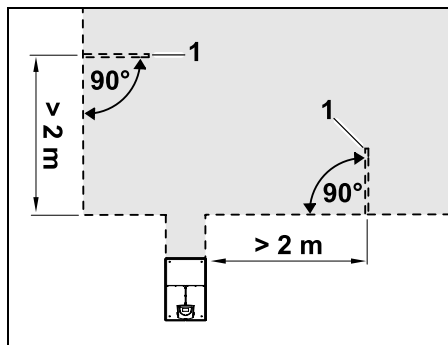
En el lado izquierdo y derecho de la entrada al pasillo hay que instalar dos lazos de búsqueda (1) en un ángulo de

90° con respecto al cable delimitador, a saber, siempre en aquella parte de la superficie a cortar que solo es accesible a través de un pasillo.

Distancia mínima hacia la entrada al pasillo: 2 m

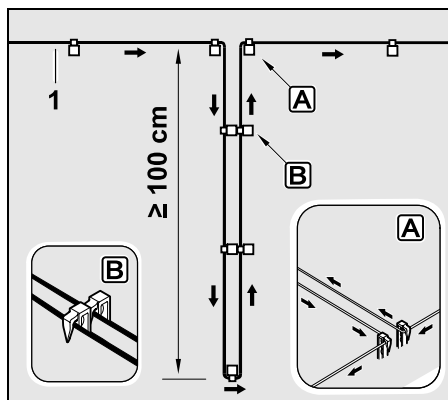
i Si se instalaron varios pasillos uno detrás del otro, hay que instalar lazos de búsqueda en cada superficie afectada.

Instalación de un lazo de búsqueda:



Los lazos de búsqueda no se deben instalar cerca de esquinas.

Distancia mínima a las esquinas: 2 m



Instalar el lazo de búsqueda en la superficie de césped como se muestra en la ilustración. En el borde **A**, el cable delimitador (1) debe fijarse al suelo con dos piquetas y no debe cruzarse.

Longitud mínima: 100 cm

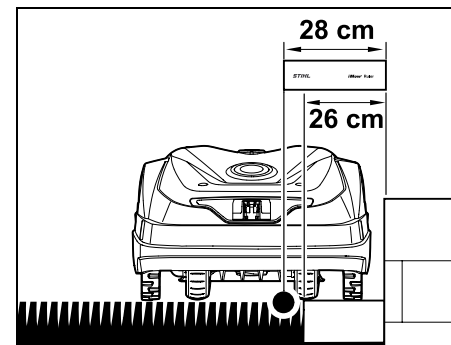
Tendido de cable con una piqueta al lado de la otra **B**

- Fijar el lazo de búsqueda al suelo con una cantidad suficiente de piquetas.

12.13 Corte preciso de bordes

i A lo largo de obstáculos altos se forma una franja de hierba sin cortar de hasta 26 cm de ancho. En caso necesario se pueden colocar bordillos alrededor de los obstáculos altos.

Ancho mínimo de los bordillos:



Tender el cable delimitador a una distancia de 28 cm del obstáculo. Para que el borde del césped se corte por completo, los bordillos deben tener un ancho de al menos 26 cm. Si se colocan bordillos más anchos, se trabajará el borde del césped incluso con mayor exactitud.

12.14 Terreno inclinado a lo largo del cable delimitador



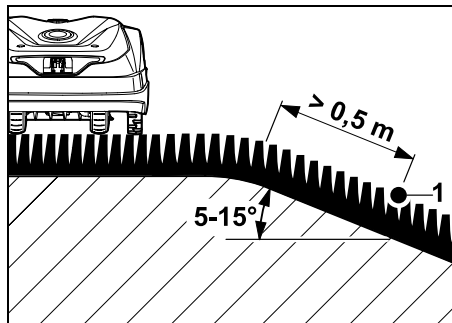
Nota:

Para que la instalación sea robusta, se recomienda tender el cable delimitador en una pendiente de hasta 10° (17%) como máximo. El cable puede tenderse en una pendiente de hasta 15° (27%), pero en este caso el trabajo y la adaptación del tendido pueden ser más laboriosos. Las pendientes también deben anotarse necesariamente en los croquis del jardín.

Para que el robot cortacésped pueda cortar una zona inclinada de la superficie (con una pendiente de hasta 15°) automáticamente y sin anomalías, el cable delimitador en la pendiente deberá instalarse con una distancia mínima al borde del terreno.

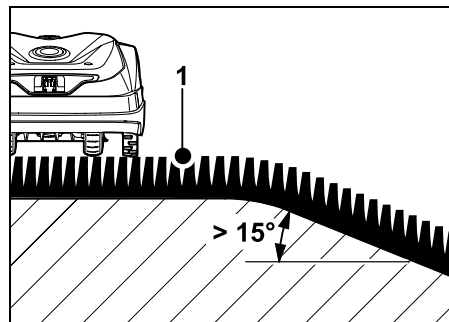
Si existen superficies de agua o zonas de caída, como bordes o escalones, se debe guardar una distancia mínima de **100 cm**.

Zona inclinada con una pendiente de $5^\circ - 15^\circ$:



Si en la superficie a cortar se encuentra una zona inclinada con una pendiente de $5^\circ - 15^\circ$, el cable delimitador podrá tenderse en la superficie inclinada por debajo del borde del terreno, como se muestra en la ilustración. La distancia mínima ($0,5\text{ m}$) del borde del terreno al cable delimitador debe tenerse en cuenta para que el robot cortacésped funcione sin anomalías.

Zona inclinada con una pendiente superior a 15° :



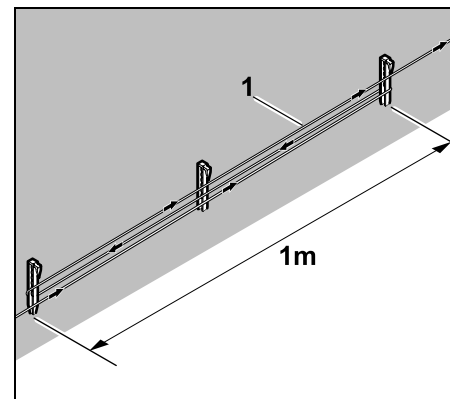
Si en la superficie a cortar se encuentra una zona inclinada con una pendiente superior a 15° , en la que ha de tenderse un cable delimitador (1), se recomienda tender este en la superficie plana y por encima del borde del terreno, tal como se muestra en la ilustración. En el borde del terreno y en la zona inclinada no se cortará el césped.

12.15 Instalar reservas de cable

Si hay reservas de cable instaladas a una distancia regular, resulta fácil hacer las correcciones necesarias para modificar posteriormente la posición de la estación de carga o el recorrido del cable

delimitador.

Las reservas de cable se deberían instalar especialmente cerca de pasos difíciles.

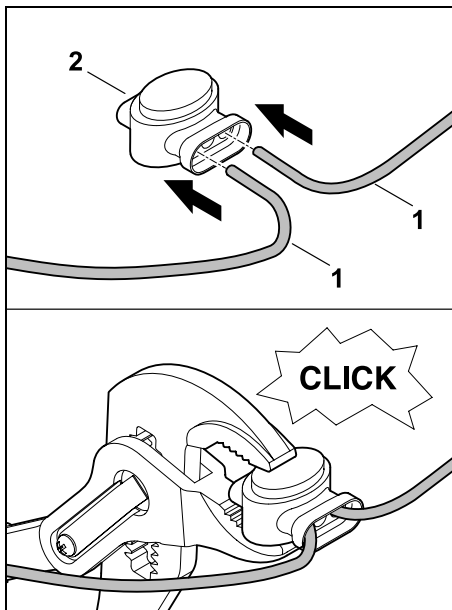


Tender el cable delimitador (1) en una longitud de aprox. 1 m entre las 2 piquetas tal como muestra la imagen. Fijar al suelo la reserva de cable por el centro con otra piqueta.

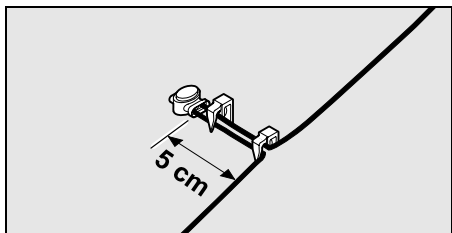
12.16 Utilizar conectores de cable

Para alargar el cable delimitador o conectar extremos de cable sueltos, se deben utilizar exclusivamente los conectores de cable rellenos de gel disponibles como accesorio. Estos evitan un desgaste prematuro (p. ej., por corrosión en los extremos del cable) y garantizan una conexión óptima.

Anotar la posición de los conectores de cable en el croquis de la superficie a cortar. (\Rightarrow 12.2)



Introducir los extremos de cable sueltos sin aislar (1) hasta el tope en un conector de cable (2). Comprimir el conector de cable con unos alicates adecuados. Asegurarse de que encaje correctamente.



Para conseguir una descarga de la tracción del cable, fijar el cable delimitador al suelo con dos piquetas, tal como se muestra en la ilustración.

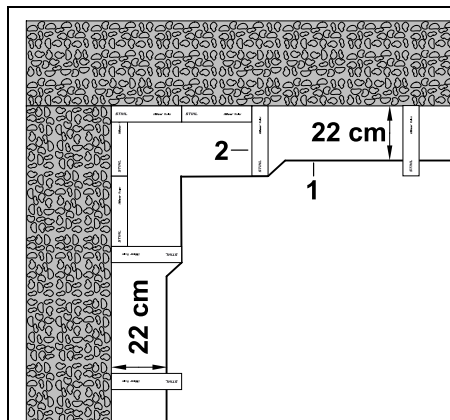
12.17 Distancias al borde reducidas

En los tramos rectos, no en las esquinas, existe la posibilidad de reducir la distancia del cable a un obstáculo alto a **22 cm**. Así aumenta la superficie cortada. Durante el recorrido del borde (⇒ 9.12), (⇒ 11.13) debe guardarse una distancia suficiente (mínimo 5 cm) entre el robot cortacésped y los obstáculos. En caso necesario, aumentar la distancia del cable a los obstáculos.



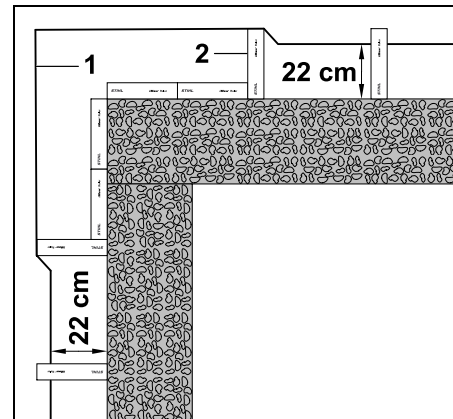
Las distancias al borde reducidas deben indicarse necesariamente en el croquis del jardín. (⇒ 12.2)

Distancias al borde reducidas en esquinas interiores:



Tender el cable delimitador (1) en la esquina interior como se muestra en la ilustración. Utilizar la regla virtual iMOW® (2).

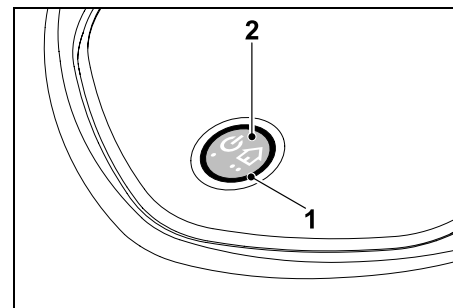
Distancias al borde reducidas en las esquinas exteriores:



Tender el cable delimitador (1) en la esquina exterior como se muestra en la ilustración. Utilizar la regla virtual iMOW® (2).

13. Estación de carga

13.1 Mandos de la estación de carga



Un LED rojo circular (1) informa sobre el estado de la estación de carga y la señal de cable.

Tecla de funciones (2):

- Conectar y desconectar la estación de carga
- Activar el regreso a la estación

- Activar la búsqueda de rotura de cable

El LED no se enciende:

- La estación de carga y la señal de cable están desconectadas.

El LED se enciende permanentemente:

- La estación de carga y la señal de cable están conectadas.
- El robot cortacésped no está conectado a la estación.

El LED parpadea lentamente (se enciende 2 segundos y se apaga brevemente):

- El robot cortacésped está conectado a la estación de carga; la batería se carga en caso necesario.
- La estación de carga y la señal de cable están conectadas.

El LED parpadea rápidamente:

- El cable delimitador está interrumpido – el cable está roto o no está conectado correctamente a la estación de carga. (⇒ 16.6)

El LED se enciende 3 segundos y hace una pausa de 1 segundo:

- Se ha activado el regreso a la estación (Ir a est).

El LED realiza 3 parpadeos breves, 3 parpadeos largos, 3 parpadeos breves, y hace una pausa de aprox. 5 segundos (señal SOS):

- Error en la estación de carga.

Conectar y desconectar la estación de carga:

En el servicio automático, la conexión y desconexión se realiza automáticamente.

Si el robot cortacésped no está conectado a la estación de carga, **una breve pulsación de la tecla** hace que se active la estación de carga. La señal de cable permanece activa durante 48 horas, a menos que el robot cortacésped se conecte antes a la estación de carga.

La estación de carga se desconecta si se pulsa la tecla durante **2 segundos**.

Activar el regreso a la estación:

Pulsar la tecla 2 veces en 2 segundos durante una operación de corte.

El robot cortacésped termina de cortar el césped, busca el cable delimitador y regresa a la estación de carga para cargar la batería. Durante el tiempo de actividad activo, no tiene lugar ningún otro proceso de corte.



El regreso a la estación permanecerá activo hasta que el robot cortacésped esté conectado a la estación. Si se pulsa de nuevo la tecla 2 veces en la estación de carga, se finaliza también el regreso a la estación.



14. Indicaciones para cortar

14.1 Información general

El robot cortacésped está concebido para trabajar superficies de césped de manera automática. El césped se mantiene corto, ya que se trabaja sobre él con regularidad. El resultado es un césped bonito y tupido.

Las superficies de césped que no se han cortado antes con un cortacésped convencional se trabajan después de varios procesos de corte. Sobre todo cuando la hierba es un poco más alta, después de un par de procesos de corte, la calidad de corte es mayor.

En climas calurosos y secos, el césped no debería mantenerse demasiado corto, puesto que de lo contrario el sol lo quemaría y tendría mal aspecto.

Con una cuchilla afilada se consigue una mejor calidad de corte que con una cuchilla desafilada, por lo que debe sustituirse periódicamente.

14.2 Mulching

El robot cortacésped es un cortacésped para mulching.

Durante el mulching, una vez cortados los tallos de hierba se desmenuzan aún más en la carcasa del equipo de corte. A continuación, vuelven a caer al césped, donde se quedan hasta que se pudren.

El material cortado fino devuelve al suelo nutrientes orgánicos en forma de abono natural. De este modo se reduce considerablemente la necesidad de usar abono.

14.3 Tiempos de actividad

En el tipo de plan de corte "Estándar" el robot corta el césped durante todo el tiempo de actividad, solo interrumpido por los procesos de carga.

En el tipo de plan de corte "Dinámico" se le permite al robot cortacésped abandonar la estación de carga en cualquier momento y cortar el césped durante los tiempos de actividad. Por tanto, durante estos tiempos tienen lugar **procesos de corte, procesos de carga y períodos de reposo**. El robot cortacésped distribuye automáticamente los procesos de corte y de carga necesarios en el plazo disponible.

Durante la instalación se distribuyen automáticamente los tiempos de actividad a lo largo de toda la semana. También se tienen en cuenta las reservas de tiempo. De ese modo se garantiza un cuidado óptimo del césped, incluso si no se pueden realizar algunos procesos de corte (p. ej., porque está lloviendo).



Durante los tiempos de actividad se debe mantener a terceros alejados de la zona de peligro. Los tiempos de actividad se deben adaptar correspondientemente. Además, se deben respetar las normas locales sobre el uso de robots cortacésped y las notas del capítulo "Para su seguridad" (⇒ 6.1); también deben modificarse los tiempos de actividad en el menú "Plan de corte". (⇒ 11.7)

Sobre todo habría que preguntar a las autoridades responsables, en qué horario de día y de noche se puede utilizar la máquina.

14.4 Dur. de corte

La duración de corte indica cuántas horas a la semana se debe cortar el césped. Es posible prolongarla o acortarla. (⇒ 11.7)

La duración de corte equivale al tiempo durante el cual el robot cortacésped corta el césped. El tiempo en el que la batería se está cargando no se incluye en la duración de corte.

En la primera instalación, el robot cortacésped calcula la duración de corte automáticamente a partir del tamaño indicado de la superficie a cortar. Este valor indicativo se determina teniendo en cuenta un césped normal en un clima seco.

Capacidad de trabajo:

Para 100 m² el robot cortacésped necesita un promedio de 100 minutos.

14.5 Zona de hogar

El robot cortacésped reconoce su ubicación con la ayuda del receptor GPS integrado. Cada vez que recorre el borde para comprobar el tendido correcto del cable (⇒ 9.12), y al grabar los puntos de inicio (⇒ 11.14), el robot cortacésped memoriza las coordenadas del punto ubicado más al oeste, este, sur y norte.

Esta superficie se define como zona de hogar; esta es la zona en la que puede usarse el robot cortacésped. Las coordenadas se actualizan cada vez que se repite un recorrido del borde.

Si el **protector GPS** está activado, el propietario de la máquina es informado cuando esta se pone en servicio fuera de

la zona de hogar. Además se solicitará el código PIN en el display del robot cortacésped.

15. Poner el equipo en servicio

15.1 Preparación



Para la **primera instalación** hay disponible un asistente de instalación. (⇒ 9.)



El robot cortacésped debe cargarse y utilizarse a una temperatura ambiente de entre +5 °C y +40 °C.

- Instalar la estación de carga (⇒ 9.8)
- Tender el cable delimitador (⇒ 9.9) y conectarlo (⇒ 9.10)
- Retirar de la superficie a cortar los cuerpos extraños (p. ej. juguetes, herramientas).
- Cargar la batería (⇒ 15.7)
- Ajustar hora y fecha (⇒ 11.10)
- Comprobar el plan de corte y adaptarlo en caso necesario. Durante los tiempos de actividad se debe mantener a terceros alejados de la zona de peligro. (⇒ 11.7)



Cortar ligeramente el césped muy alto con un cortacésped convencional antes de utilizar el robot cortacésped (p. ej., después de una interrupción prolongada).

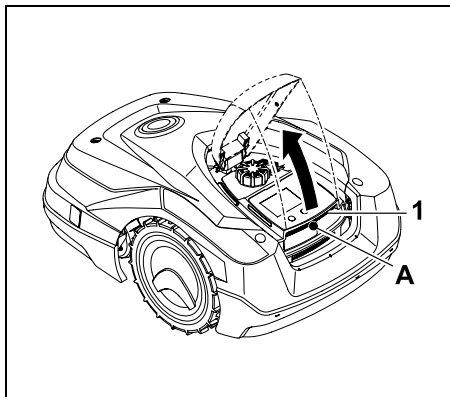
15.2 Tapa

El robot cortacésped cuenta con una tapa, que protege el display contra las inclemencias del tiempo y contra cualquier

manejo involuntario. Si la tapa se abre mientras está trabajando el robot cortacésped, el proceso se detiene y la cuchilla y el robot se paran.

Abrir la tapa:

i Por motivos de seguridad, mientras funciona el robot cortacésped hay que pulsar la tecla Stop antes de abrir la tapa.



Sujetar la tapa (1) por el punto de agarre (A) y soltarla tirando de ella ligeramente hacia arriba. Abrir la tapa hasta el tope.

i La tapa abierta puede extraerse hacia arriba de la máquina. El objetivo de este diseño es la seguridad: De este modo se garantiza que la máquina no se levante ni transporte sujetándola por la tapa.

Cerrar la tapa:

Guiar la tapa con precaución hacia abajo y permitir que encaje.

i El robot cortacésped solo se puede poner en funcionamiento con la tapa completamente encajada.

15.3 Adaptar la programación

La programación actual se puede ver en el **plan de corte** o en la **aplicación iMOW®**. (⇒ 11.7)

El plan de corte se calcula durante la instalación o al crear un nuevo plan de corte a partir del tamaño de la superficie a cortar.

Los **tiempos de actividad** y la **duración de corte** se pueden modificar por separado. En el tipo de plan de corte **Estándar**, el robot cortacésped corta y se carga exactamente durante los tiempos de actividad; en el tipo de plan de corte **Dinámico**, los procesos de corte necesarios se distribuyen automáticamente entre los tiempos de actividad posibles. En caso necesario pueden realizarse varios procesos de corte y carga durante un tiempo de actividad. Si se desea, el borde de la superficie a cortar se corta automáticamente a intervalos regulares. (⇒ 11.13)

Son posibles hasta tres tiempos de actividad diferentes al día. (⇒ 14.3)

Si el robot cortacésped debe recorrer determinadas áreas de la superficie a cortar, se deben definir puntos de inicio específicos. (⇒ 11.14)

i Si se ha seleccionado el tipo de plan de corte **Dinámico**, en algunos casos (p. ej., en días despejados o espacios de tiempo amplios) no se aprovechan todos los tiempos de actividad para conseguir un cuidado óptimo del césped.

Modificación de **tiempos de actividad**: (⇒ 11.7)

- Tiempos de actividad adicionales para otros procesos de corte
- Adaptación de los plazos de tiempo (p. ej., para evitar que se corte el césped por la mañana o por la noche).
- Omisión de algunos tiempos de actividad, porque la superficie a cortar se va a ocupar, p. ej., para una fiesta.

Prolongación de la **duración del corte**: (⇒ 11.7)

- Hay áreas que no se cortan suficientemente, p. ej., porque la superficie a cortar es de difícil acceso.
- Crecimiento intensivo de la hierba en el período de crecimiento
- Césped especialmente denso

Reducción de la **duración de corte**: (⇒ 11.7)

- Crecimiento reducido de la hierba a causa de calor, frío o sequedad

Creación de un **nuevo plan de corte**: (⇒ 11.7)

- El tamaño de la superficie a cortar se ha modificado.

Nueva instalación: (⇒ 11.13)

- Nueva ubicación de la estación de carga
- Primera puesta en servicio en una nueva superficie a cortar


15.4 Corte con servicio automático

- Conectar el servicio automático:

Con el servicio automático conectado, aparece en el display el símbolo del servicio automático al lado del símbolo de la batería. (⇒ 11.7)



- **Iniciar** procesos de corte:
En el tipo de plan de corte **Estándar**, el robot cortacésped se pone en marcha al comienzo de cada tiempo de actividad y corta el césped.
En el tipo de plan de corte **Dinámico**, los procesos de corte se distribuyen automáticamente entre los tiempos de actividad disponibles. (⇒ 14.3)
- **Finalizar** procesos de corte:
Cuando la batería está descargada, el robot cortacésped regresa automáticamente a la estación de carga. (⇒ 15.6)
Con la **tecla STOP** o mediante el menú **"Regreso est."**, el proceso de corte en curso se puede finalizar manualmente en cualquier momento. (⇒ 5.1)
La activación de **Ir a est** en la estación de carga también finaliza inmediatamente el proceso de corte en curso. (⇒ 13.1)
El proceso de corte también puede finalizarse con la aplicación. Enviar el robot cortacésped a la estación de carga. (⇒ 10.)


 Las superficies a cortar a las que el robot cortacésped accede a través de un **pasillo** solo se trabajan si hay puntos de inicio definidos para esas superficies.

15.5 Corte independientemente de los tiempos de actividad

- Activar el robot cortacésped conectado a la estación de carga pulsando una tecla. De esta manera se conecta también la estación de carga.

Superficies a cortar con estación de carga:

- Cortar inmediatamente:
Ejecutar el comando **Iniciar el corte** (⇒ 11.5).
El proceso de corte comienza inmediatamente y prosigue hasta la hora seleccionada. Se puede seleccionar un punto de inicio que esté disponible.
- Iniciar el corte con la aplicación. (⇒ 10.)
El proceso de corte comienza a la hora de inicio seleccionada y prosigue hasta el fin seleccionado. Se puede seleccionar un punto de inicio que esté disponible.
- Finalizar el corte manualmente:
Con la tecla **STOP** o mediante el menú **"Regreso est."** (⇒ 11.6), el proceso de corte en curso se puede finalizar en cualquier momento. (⇒ 5.1)
Activando **Ir a est** en la estación de carga, el proceso de corte en curso también se puede finalizar inmediatamente. (⇒ 13.1)
El proceso de corte también puede finalizarse con la aplicación. Enviar el robot cortacésped a la estación de carga. (⇒ 10.)

 En caso necesario, el robot cortacésped carga la batería mientras tanto y, a continuación, prosigue con el proceso de corte hasta el fin seleccionado.

Superficies contiguas:

- Activar el robot cortacésped de pie en la estación de carga. De esta manera se activa también la estación de carga.
- Llevar el robot cortacésped a la superficie contigua.
- Activar la superficie contigua. (⇒ 12.10)
- Cortar inmediatamente:
Ejecutar el comando **Iniciar el corte** (⇒ 11.5).
El proceso de corte comienza inmediatamente y prosigue hasta la hora seleccionada.
- Finalizar el corte:
Una vez alcanzado el fin seleccionado, el robot cortacésped se traslada al cable delimitador y se detiene. Para cargar la batería, llevar la máquina a la estación de carga y confirmar el mensaje visualizado. (⇒ 24.)
Con la **tecla STOP** el proceso de corte en curso se puede finalizar manualmente en cualquier instante. (⇒ 5.1)





Si la batería se descargara antes del fin seleccionado, el proceso de corte se acortará correspondientemente.


15.6 Conectar el robot cortacésped a la estación de carga

Conexión a la estación de carga en servicio automático:

El robot cortacésped se desplaza automáticamente a la estación de carga cuando finaliza el tiempo de actividad o cuando la batería está descargada.

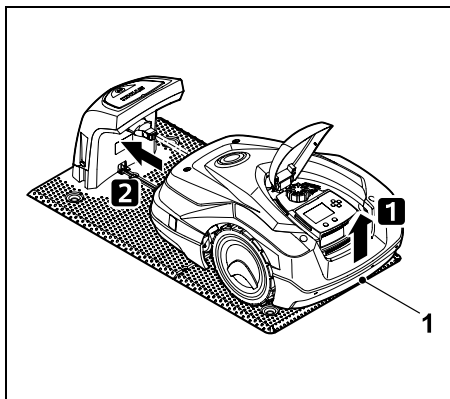
Forzar conexión a la estación de carga:

- En caso necesario, conectar la estación de carga (⇒ 13.1) 
- Activar el regreso a la estación. (⇒ 11.6)
Durante un proceso de corte, también se puede activar **Ir a est** en la estación de carga. 
- El robot cortacésped también puede enviarse a la estación de carga con la aplicación. (⇒ 10.)

 En el tiempo de actividad en curso no tiene lugar ningún otro proceso de corte después de la conexión a la estación de carga.

Conexión manual a la estación de carga:

- Desplazar el robot cortacésped manualmente a la estación de carga.



Levantar el robot cortacésped ligeramente por el asa de transporte (1) para descargar las ruedas motrices. Desplazar la máquina a la estación de carga apoyándola sobre las ruedas delanteras.

15.7 Cargar la batería



Cargar la batería exclusivamente mediante la estación de carga. No desmontar nunca la batería ni cargarla con un cargador externo.


Carga automática:


Durante el **corte** la carga se realiza de forma automática al finalizar el proceso de corte, cuando el robot cortacésped se conecta a la estación de carga.

Iniciar el proceso de carga manualmente:

- Después de usarlo **en superficies contiguas**, llevar el robot cortacésped a la superficie a cortar y conectarlo a la estación de carga. (⇒ 15.6)
- Después de la **interrupción de un proceso de corte**, conectar el robot cortacésped a la estación de carga. (⇒ 15.6)
- En caso necesario, finalizar el modo de espera del robot cortacésped pulsando una tecla.
El proceso de carga se inicia automáticamente.

Proceso de carga:

Durante el proceso de carga se muestra en el **indicador de estado** el texto "Acumulador se está cargando". 

En todos los demás menús aparece en el campo de información del display el símbolo de un enchufe de red en lugar del símbolo de la batería. 


La duración del proceso de carga varía y se adapta automáticamente al siguiente uso.




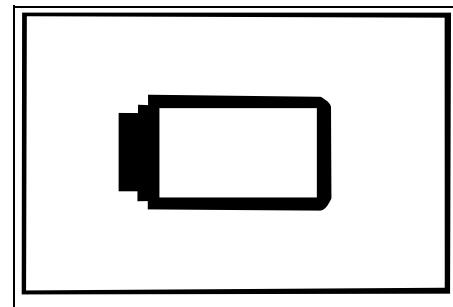
En caso de problemas de carga, en el display aparece un mensaje advirtiéndolo. (⇒ 24.)

La batería se carga solo cuando la tensión desciende por debajo de un determinado valor.

Estado de carga:

En el **indicador de estado** se puede leer directamente el estado de carga de ese momento si está seleccionado el indicador correspondiente. (⇒ 11.12) 

En todos los demás menús, el **símbolo de la batería** en el campo de información del display sirve para mostrar el estado de carga. (⇒ 11.3) 



Si la carga de la batería es insuficiente, aparecerá el símbolo de la batería correspondiente.

En tal caso habrá que colocar el robot cortacésped en la estación de carga para cargarlo.

16. Mantenimiento



¡Peligro de lesiones!

Antes de realizar trabajos de mantenimiento o limpieza en el equipo, leer detenidamente el capítulo "Para su seguridad" (⇒ 6.), especialmente el subcapítulo "Mantenimiento y reparación" (⇒ 6.9) y seguir detenidamente todas las instrucciones de seguridad.

Antes de realizar cualquier trabajo de mantenimiento o limpieza hay que activar el bloqueo de equipo. (⇒ 5.2)



Antes de ejecutar cualquier trabajo de mantenimiento en la estación de carga debe extraerse el enchufe de la red.



En todos los trabajos de mantenimiento, utilizar guantes, sobre todo al realizar cualquier trabajo en la cuchilla.



16.1 Plan de mantenimiento

Los intervalos de mantenimiento se miden por las horas de trabajo, entre otras cosas. El contador correspondiente "Horas de corte" se puede abrir en el menú "Más - Información". (⇒ 11.18)

Los intervalos de mantenimiento indicados se deben respetar rigurosamente.

Trabajos de mantenimiento en días con tiempos de actividad:

- Comprobar el estado general de la máquina y de la estación de carga visualmente.
- Comprobar en el display la hora actual y el inicio de la siguiente puesta en servicio del corte.
- Compruebe la superficie a cortar y, en caso necesario, retire cualquier objeto extraño, etc.
- Comprobar si se está cargando la batería. (⇒ 15.7)

Trabajos de mantenimiento semanales:

- Limpiar la máquina. (⇒ 16.2)
- Comprobar visualmente si la cuchilla, la fijación de la cuchilla y el equipo de corte presentan daños o desgaste (muecas, fisuras, puntos de rotura, etc.). (⇒ 16.3)

Cada 200 horas:

- Sustituir la cuchilla. (⇒ 16.3)

Trabajos de mantenimiento anuales:

- STIHL recomienda encargar un revisión anual a los distribuidores especializados STIHL durante los meses de invierno. En ella se revisa sobre todo la batería, la electrónica y el software.



Para que el distribuidor especializado pueda realizar correctamente todos los trabajos de mantenimiento, modificar el nivel de seguridad a "Ninguna" o comunicarle el código PIN utilizado.

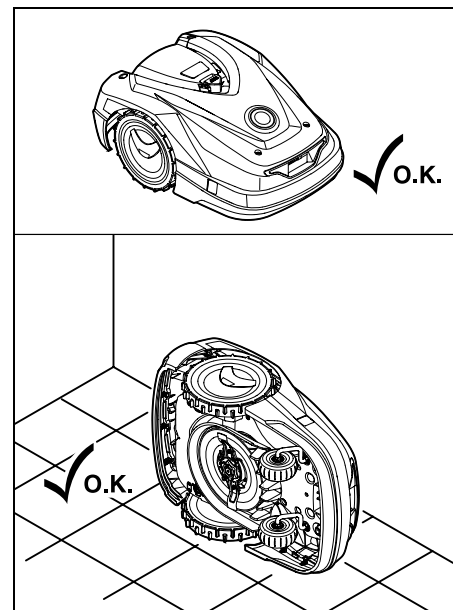
16.2 Limpiar la máquina

Un tratamiento cuidadoso evita daños en la máquina y alarga su vida útil.

Posición de limpieza y mantenimiento:



Antes de la limpieza hay que asegurarse de que el botón giratorio esté montado correctamente, para que no pueda entrar agua en la máquina.



Para limpiar la **parte superior de la máquina** (capó, tapa), colocar esta sobre una superficie plana, firme y horizontal. Para limpiar la **parte inferior de la máquina** (cuchilla, equipo de corte), volcar el robot cortacésped por su lado izquierdo o derecho, tal como se muestra en la ilustración, y apoyarlo contra una pared.

- Eliminar cualquier suciedad con un cepillo o un paño. En particular, limpiar la cuchilla, los contactos de carga del robot cortacésped y la estación de carga.
- Eliminar previamente los restos endurecidos de hierba de la carcasa y del equipo de corte con un palo de madera.
- En caso necesario, utilizar un limpiador especial (p. ej., el limpiador especial STIHL).
- Desmontar el disco de arrastre en intervalos regulares y eliminar los restos de hierba. (⇒ 16.6)

i En tiempo húmedo se debe limpiar el disco de arrastre más a menudo. La suciedad adherida entre el disco de arrastre y la carcasa del equipo de corte genera fricción, dando lugar a un aumento del consumo de energía.

16.3 Comprobar los límites de desgaste de la cuchilla

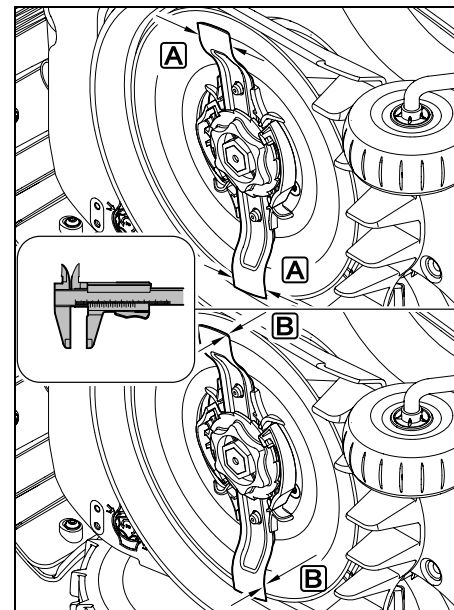


¡Peligro de lesiones!

Una cuchilla desgastada puede romperse y causar lesiones graves. Por ello deben cumplirse las indicaciones para el mantenimiento de las cuchillas. Las cuchillas se desgastan con diferente intensidad, dependiendo del lugar de utilización y del tiempo de servicio. Si se utiliza la máquina en terrenos arenosos o a menudo bajo condiciones de sequedad, las cuchillas sufren un mayor esfuerzo y se desgastan con una rapidez superior al promedio.


La cuchilla se debe cambiar como mínimo cada 200 horas de trabajo, y no se debe afilar. (⇒ 16.5)

- Activar el bloqueo de la máquina (Bloq. equipo). (⇒ 5.2)
- Volcar el robot cortacésped a un lado y apoyarlo con cuidado contra una pared estable. Limpiar minuciosamente el equipo de corte y la cuchilla. (⇒ 16.2)

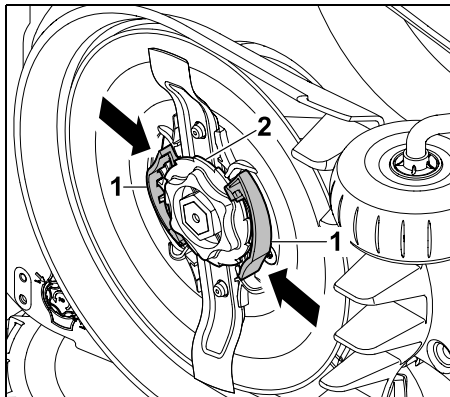


Comprobar la **anchura A** y el **grosor B** de la cuchilla con un pie de rey. La cuchilla debe sustituirse, si en algún punto tiene menos de **25 mm** de anchura o menos de **1,3 mm** de grosor.

16.4 Desmontar y montar la cuchilla

- Activar el bloqueo de la máquina (Bloq. equipo) (⇒ 5.2) y llevar guantes. 
- Volcar el robot cortacésped a un lado y apoyarlo con cuidado contra una pared estable. Limpiar minuciosamente el equipo de corte y la cuchilla. (⇒ 16.2)

Desmontar la cuchilla:



Mantener presionadas ambas lengüetas (1) del disco de arrastre con una mano. Desenroscar la tuerca de fijación (2) con la otra mano. Retirar la cuchilla junto con la tuerca de fijación.



Montar la cuchilla:

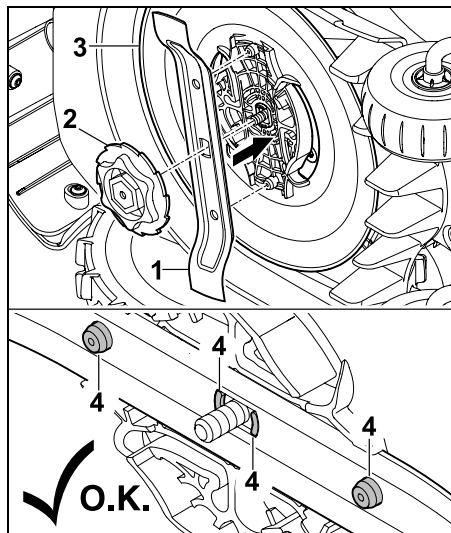


¡Peligro de lesiones!

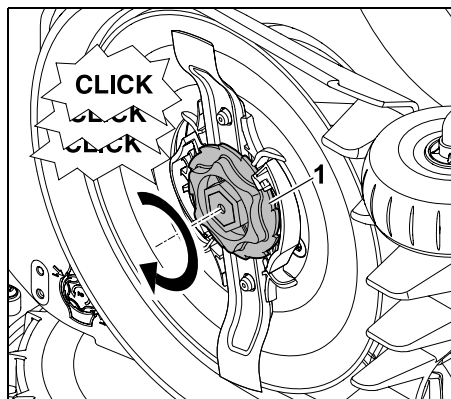
Controlar si la cuchilla está dañada antes de montarla. La cuchilla debe sustituirse cuando se detecten mellas o fisuras, o cuando los filos se hayan desgastado más de 25 mm en algún punto, o cuando tengan menos de 1,3 mm de grosor. (⇒ 16.3)

El **disco de arrastre** y la **tuerca de fijación** también deben sustituirse si presentan algún daño (p. ej., rotura o desgaste). Sobre todo la tuerca de fijación debe encajar perfectamente en el disco de arrastre.

- Antes del montaje, limpiar la cuchilla, el disco de arrastre y la tuerca de fijación.



Colocar la cuchilla (1) y la tuerca de fijación (2) sobre el disco de arrastre (3), como se muestra en la ilustración. Prestar atención a que las pestañas (4) queden ubicadas correctamente en la cuchilla.



Enroscar la tuerca de fijación (1) hasta el tope. Al apretarla se oír un clic varias veces. Comprobar que la cuchilla esté bien colocada sacudiéndola con cuidado.

- Una vez montada la nueva cuchilla, confirmar el cambio de cuchilla en el menú "Servicio". (⇒ 11.17)

16.5 Afilar la cuchilla

La cuchilla no se debe reafilar **jamás**.

STIHL recomienda cambiar **siempre** una cuchilla desafilada por una nueva.



Solo una cuchilla nueva está equilibrada con la debida precisión, garantizando un funcionamiento correcto del equipo y bajas emisiones de ruido.

16.6 Desmontar y montar el disco de arrastre



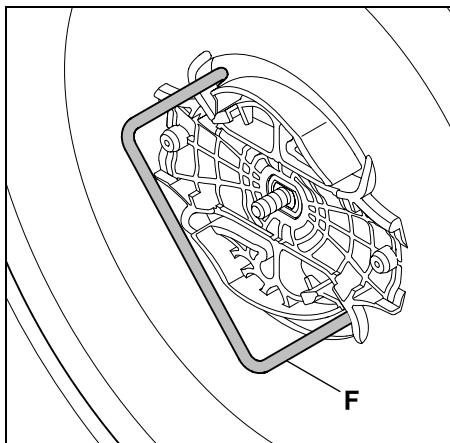
Para limpiar el equipo de corte puede desmontarse el disco de arrastre.

- Activar el bloqueo de la máquina (Bloq. equipo) (⇒ 5.2) y llevar guantes.
- Volcar el robot cortacésped a un lado y apoyarlo con cuidado contra una pared estable. Limpiar minuciosamente el equipo de corte y la cuchilla. (⇒ 16.2)

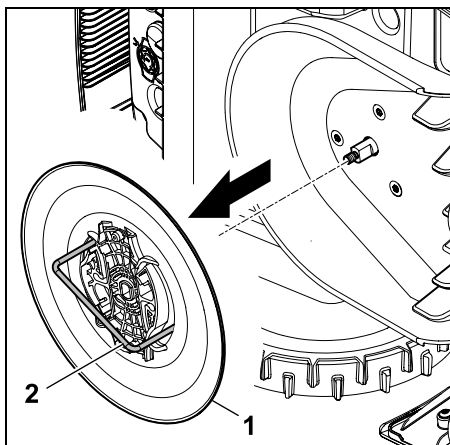


Desmontar el disco de arrastre:

- Desmontar la cuchilla. (⇒ 16.4)

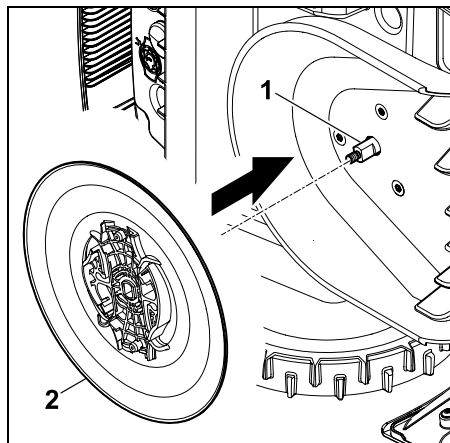


Introducir un extractor (F) y girarlo hasta el tope en sentido antihorario.



Apoyar la máquina con una mano. Extraer el disco de arrastre (1) tirando del extractor (2).

Montar el disco de arrastre:



Limpiar a fondo el eje de cuchillas (1) y el alojamiento del disco de arrastre (2). Colocar el disco de arrastre sobre el eje de cuchillas hasta que haga tope.

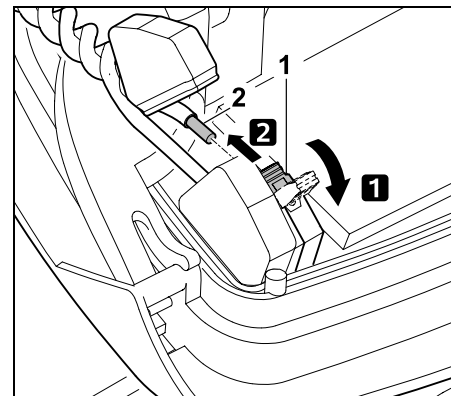
- Montar la cuchilla. (⇒ 16.4)

16.7 Buscar rotura de cable

i En caso de rotura de cable, el LED rojo parpadea rápidamente en la estación de carga. (⇒ 13.1) En el display del robot cortacésped aparece un mensaje advirtiéndolo de ello.

Si no puede encontrarse una rotura de cable del modo descrito, contactar con el distribuidor especializado.

- Antes de proceder a la búsqueda de la rotura de cable, debe pulsarse la tecla de la estación de carga **1 vez** (el LED sigue parpadeando rápidamente).
- Retirar la cubierta de la estación de carga y abrir el panel. (⇒ 9.2)

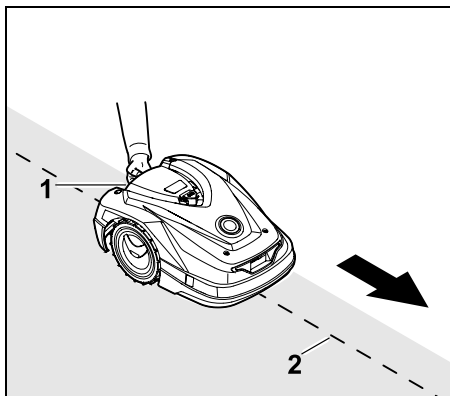


1 Abrir la palanca del borne izquierdo (1).
2 Sacar el extremo de cable (2) de la regleta de bornes y cerrar nuevamente la palanca del borne.

- Cerrar el panel y colocar la cubierta de la estación de carga. (⇒ 9.2)

Seguidamente se describe la búsqueda de la rotura de cable en sentido horario, es decir, el cable delimitador se recorre en sentido horario partiendo de la estación de carga. Si fuera necesario, también se puede realizar una búsqueda en sentido antihorario, en cuyo caso habría que retirar el extremo derecho del cable de la regleta de bornes.

- En el menú "Más - Servicio", seleccionar la opción "Buscar rotura de cable" y confirmar con OK. (⇒ 11.17)



Con el robot cortacésped partiendo desde la estación de carga, recorrer el borde de la superficie a cortar **en sentido horario**. Para ello, levantar la máquina ligeramente por el asa de transporte trasera (1) para descargar las ruedas motrices. Seguir el cable delimitador (2) con el robot cortacésped apoyado sobre las ruedas delanteras. Hay que prestar atención a que el cable delimitador (2) pase por debajo de los sensores de cable. Los sensores de cable están montados con protección a la izquierda y a la derecha del área delantera del robot cortacésped. Durante la búsqueda de la rotura de cable, se muestra en el display la **intensidad de señal**; los sensores de cable están colocados de forma óptima por encima del cable delimitador cuando el valor es el máximo.

Mientras los sensores de cable reciben correctamente la señal de cable, aparece en el display el símbolo **Señal cable OK**.



En la zona donde se rompió el cable, la intensidad de señal baja y en el display aparece el símbolo de **Comprobar señal cable**.

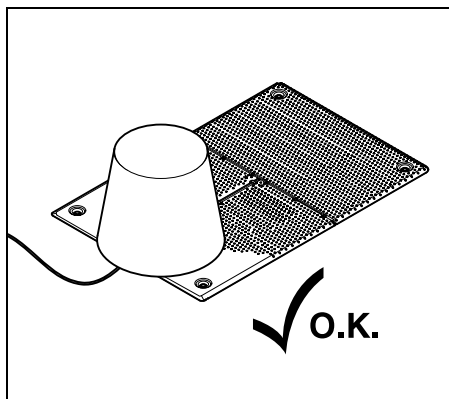


- Puentear la zona de la rotura mediante un conector de cable (⇒ 12.16). En caso necesario, volver a tender el cable delimitador en la zona de la rotura.
- Volver a conectar el extremo izquierdo del cable. (⇒ 9.10)
- Si la rotura de cable se ha solucionado correctamente, se encenderá el LED rojo. (⇒ 13.1)

16.8 Almacenamiento y parada invernal

Si el robot cortacésped va a estar **parado** un tiempo (p. ej., en invierno o durante un almacenamiento provisional), hay que tener en cuenta los puntos siguientes:

- Cargar la batería (⇒ 15.7)
- Colocar el robot cortacésped en el modo de parada invernal (⇒ 11.17)
- Separar el enchufe de la fuente de alimentación de la red eléctrica
- Limpiar a fondo todos los componentes externos del robot cortacésped y de la estación de carga



Cubrir la estación de carga con un cubo adecuado y fijar el cubo.

- El robot cortacésped debe guardarse sobre sus ruedas en un lugar seco, cerrado y sin polvo. Asegúrese de que la máquina quede fuera del alcance de los niños.
- Guardar el robot cortacésped solo en un estado de servicio seguro.
- Mantener todos los tornillos firmemente apretados, sustituir las indicaciones de advertencia y peligro que sean ilegibles, y revisar la máquina completa para ver si presenta signos de desgaste o daños. Sustituir las piezas desgastadas o dañadas.
- Deben eliminarse siempre las posibles anomalías presentes en la máquina antes de guardarla.



No depositar ni almacenar nunca objetos encima del robot cortacésped.

La temperatura en la zona de almacenamiento no debería bajar a menos de 5 °C.

Nueva puesta en servicio del robot cortacésped tras una parada prolongada:



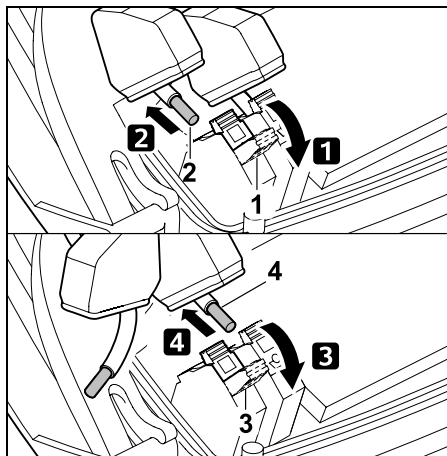
Después de una parada prolongada es posible que haya que corregir la fecha y la hora. Durante la puesta en servicio aparecerán las ventanas de selección correspondientes. Si las ventanas de selección no aparecen automáticamente, controlar la fecha y la hora en el menú "Ajustes" y realizar la corrección en caso necesario. (⇒ 11.10)

- Preparar la superficie a cortar: Retirar los cuerpos extraños y cortar primero el césped muy alto con un cortacésped convencional.
- Desbloquear la estación de carga y conectar la fuente de alimentación a la red eléctrica.
- Cargar la batería (⇒ 15.7)
- Conectar el robot cortacésped y la estación de carga. (⇒ 9.11)
- Retirar los obstáculos y cuerpos extraños que se encuentren en el borde. Iniciar el recorrido del borde y controlar si son transitables los pasillos y pasos estrechos. (⇒ 11.13)
- Comprobar el plan de corte y cambiarlo en caso necesario. (⇒ 11.7)
- Conectar el servicio automático (⇒ 11.7)
- En caso necesario, activar el modo de energía Estándar (⇒ 11.10) y conectar el protector GPS. (⇒ 5.9)

16.9 Desmontaje de la estación de carga

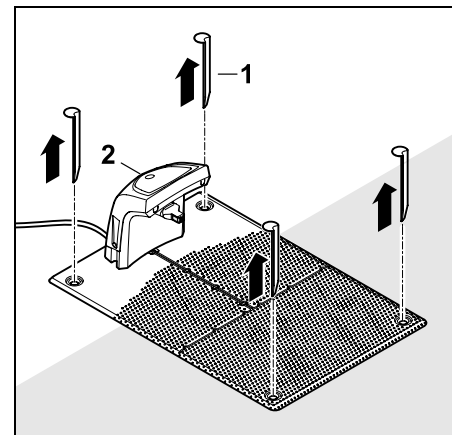
Si el robot cortacésped va a estar parado por un **tiempo prolongado** (p. ej., por parada invernal), también es posible desmontar la estación de carga.

- Preparar el robot cortacésped para una parada prolongada (⇒ 16.8)
- Separar el enchufe de la red de alimentación
- Retirar la cubierta de la estación de carga y abrir el panel (⇒ 9.2)



- 1 Abrir la palanca del borne derecho (1).
- 2 Sacar el extremo de cable derecho (2) de la regleta de bornes. Cerrar otra vez la palanca del borne (1).
- 3 Abrir la palanca del borne izquierdo (3).
- 4 Sacar el extremo de cable izquierdo (4) de la regleta de bornes. Cerrar otra vez la palanca del borne (3).

- Cerrar el panel (⇒ 9.2)
- Sacar los extremos de cable derecho e izquierdo por separado de la estación de carga
- Colocar la cubierta de la estación de carga (⇒ 9.2)



Extraer las piquetas de sujeción (1), retirar la estación de carga (2) de la superficie de césped con la fuente de alimentación conectada, limpiarla a fondo con un trapo húmedo y almacenarla.

- Guardar el robot cortacésped junto con la estación de carga y la fuente de alimentación en posición normal y en un lugar seco, cerrado y sin polvo. Conectar el robot cortacésped a la estación de carga. Asegúrese de que la máquina quede fuera del alcance de los niños.
- Proteger los extremos libres del cable delimitador de la influencia del entorno (p. ej., cubrirlos con una cinta aislante adecuada).
- Al montar de nuevo la estación de carga, llevar a cabo la instalación como si se tratase de la primera instalación; conectar sobre todo los extremos de los cables cada uno en el lado correcto. (⇒ 9.10)

17. Piezas de recambio habituales

Cuchilla:

6301 702 0101

18. Accesorios

- **STIHL Kit S** para superficies de césped de hasta 500 m²
- **STIHL Kit L** para superficies de césped de 2000 m² – 4000 m²
- Piquetas **STIHL AFN 075**
- Cable delimitador **STIHL ARB 501**:
Longitud: 500 m
Diámetro: 3,4 mm
- Conectores de cable **STIHL ADV 010**

Hay disponibles otros accesorios para el equipo.

Encontrará más información en su Distribuidor especializado STIHL, en Internet (www.stihl.es) o en el catálogo STIHL.



Por motivos de seguridad, con el equipo solo pueden utilizarse accesorios autorizados por STIHL.

19. Reducir el desgaste y prevenir daños

Información importante referente al mantenimiento y cuidado del grupo de productos

Robot cortacésped, de batería (STIHL RMI)

STIHL no se hace responsable de los daños personales y materiales ocasionados por la no observación de las indicaciones contenidas en las

instrucciones de funcionamiento, especialmente en lo referente a la seguridad, el funcionamiento y el mantenimiento, o de los daños que aparezcan debidos a una utilización de accesorios o piezas de repuesto no autorizadas.

Siga siempre las instrucciones siguientes, que son importantes para evitar daños o un desgaste excesivo de su equipo STIHL:

1. Piezas de desgaste

Algunas piezas del equipo STIHL están sometidas a un desgaste normal, incluso utilizando el equipo de manera adecuada, por lo que deberán ser sustituidas a tiempo (dependiendo del tipo y de la duración de uso).

Estas son, entre otras:

- Cuchilla
- Batería
- Neumáticos

2. Observación de las indicaciones del presente manual de instrucciones

El uso, mantenimiento y almacenamiento del equipo STIHL deberá efectuarse con sumo cuidado, tal y como se describe en este manual de instrucciones. El propio usuario es el responsable de todos los daños ocasionados por incumplimiento de las indicaciones de seguridad, utilización y mantenimiento.

Esto es especialmente válido en caso de:

- manejo incorrecto del acumulador (al cargarlo o almacenarlo),
- conexión eléctrica incorrecta (tensión),
- modificaciones en el producto no autorizadas por STIHL,

- utilización de herramientas o accesorios no autorizados, no adecuados o de una calidad inferior,
- uso inadecuado del producto,
- utilización del producto en eventos deportivos o en competiciones,
- daños ocasionados como consecuencia de un uso continuado del producto con componentes defectuosos.

3. Trabajos de mantenimiento

Todos los trabajos descritos en el apartado titulado "Mantenimiento" tienen que ser ejecutados regularmente.

Si el usuario no puede realizar alguno de estos trabajos de mantenimiento, deberá encomendar esta tarea a un establecimiento especializado.

STIHL recomienda que los trabajos de mantenimiento y reparación se realicen exclusivamente en las instalaciones del distribuidor especializado STIHL.

Los distribuidores especializados STIHL reciben formación e información técnica regularmente.

Si se descuidan estos trabajos pueden producirse daños de los que será responsable el usuario.

Los posibles daños son, entre otros:

- daños en el equipo debido a una limpieza insuficiente o incorrecta,
- daños por corrosión y otros daños derivados de un almacenamiento indebido,
- daños en el equipo debido a la utilización de piezas de recambio de una calidad inferior,

- daños por no realizar un mantenimiento periódico o por realizar un mantenimiento insuficiente, o bien por no realizar los trabajos de mantenimiento o reparación en un taller especializado.

20. Protección del medio ambiente

Los embalajes, el equipo y los accesorios están fabricados con materiales reciclables y deben desecharse correspondientemente.

Una eliminación de restos de materiales por separado, respetando el medio ambiente, ofrece la posibilidad de reciclar las materias primas empleadas. Por esta razón, debe llevar el equipo a un centro de reciclaje cuando desee deshacerse de él. Tenga en cuenta para ello las indicaciones del capítulo "Eliminación". (⇒ 6.11)



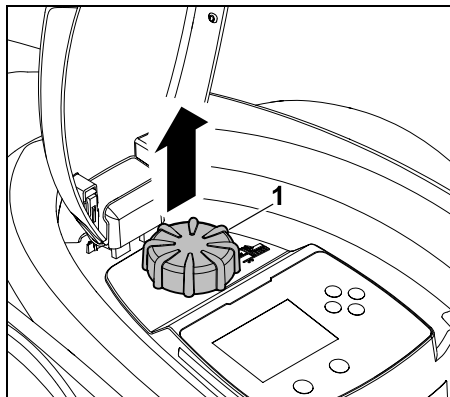
Los productos desechables, como los acumuladores, deben eliminarse siempre correctamente. Observe las normativas locales.



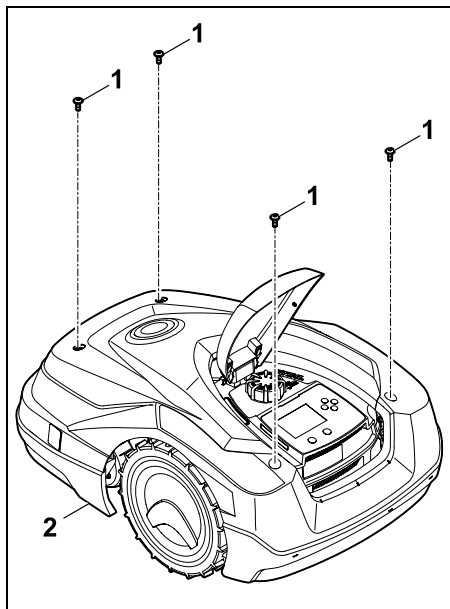
Los acumuladores de iones de litio no deben eliminarse con la basura normal, sino que hay que entregarlos en un establecimiento especializado o en un centro de recogida de desechos especiales.

20.1 Desmontar la batería

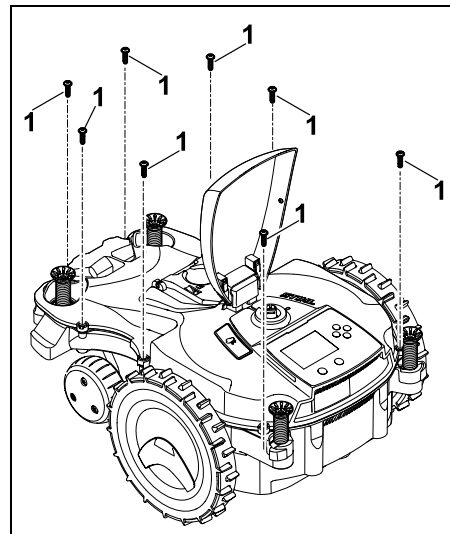
- Activar el bloqueo de la máquina (Bloq. equipo). (⇒ 5.2)
- Abrir la tapa. (⇒ 15.2)



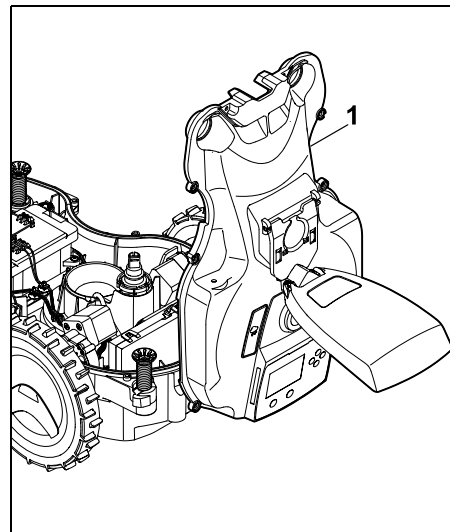
Extraer el botón giratorio (1) hacia arriba.



Desenroscar y sacar los tornillos (1) de la cubierta (2). Extraer la cubierta (2) hacia arriba.



Desenroscar y sacar los tornillos (1).



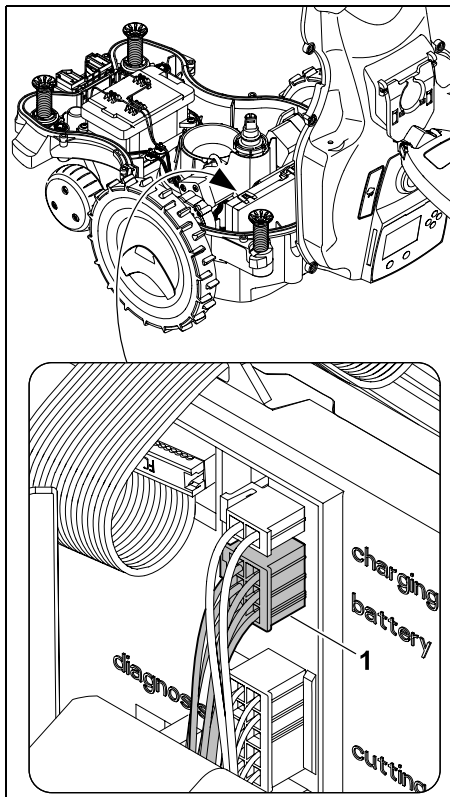
Abrir la parte superior de la carcasa (1) hacia atrás.



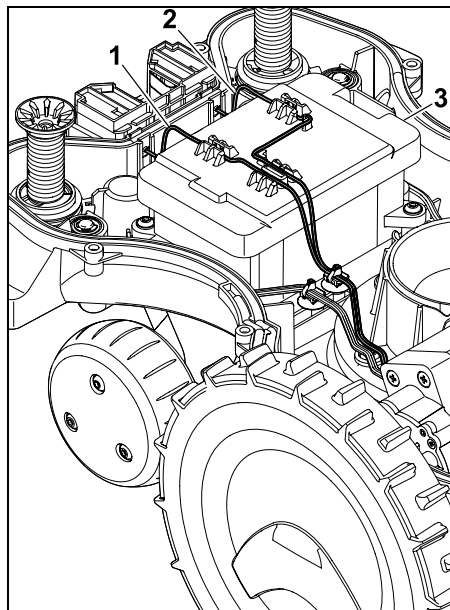
¡Peligro de lesiones!

En la batería no debe cortarse ningún cable. ¡Peligro de cortocircuito!

Desenchufar siempre los cables y retirarlos junto con la batería.



Desenchufar el conector de cable (1) (battery).



Sacar el cable (1) y el cable (2) de sus guías y retirar la batería (3).



¡Peligro de lesiones!

Evitar que la batería sufra daños.

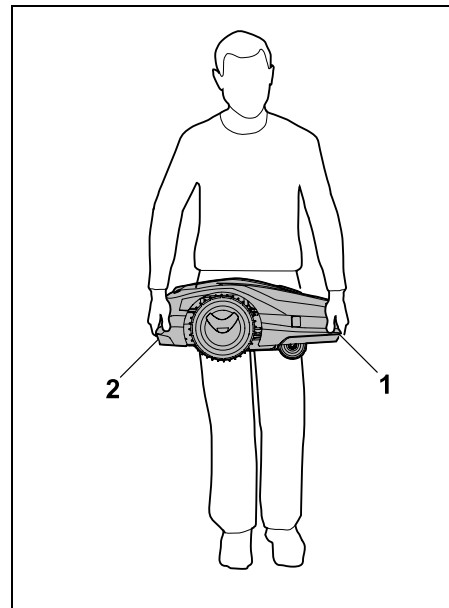
21. Transporte



¡Peligro de lesiones!

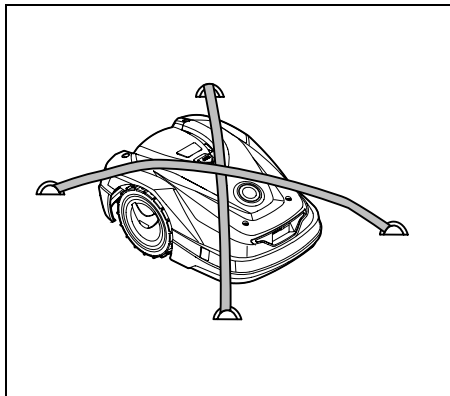
Antes del transporte, leer detenidamente el capítulo "Para su seguridad" (⇒ 6.), especialmente el subcapítulo "Transporte del equipo" (⇒ 6.5) y seguir todas las normas de seguridad. Activar siempre el bloqueo del equipo. (⇒ 5.2)

21.1 Levantar o sostener la máquina



Levantar y sostener el robot cortacésped por el asa de transporte delantera (1) y por el asa de transporte trasera (2). Al hacerlo hay que prestar atención a que la cuchilla esté siempre alejada y a una distancia suficiente del cuerpo, especialmente de los pies y las piernas.

21.2 Amarrar la máquina



Asegurar el cortacésped sobre la superficie de carga. Para ello, fijar la máquina como se muestra en la ilustración, utilizando medios de sujeción apropiados (correas, cuerdas).

Asegurar también las piezas de la máquina que se incluyan en el transporte (p. ej., la estación de carga, piezas pequeñas), para que no se muevan.

22. Declaración de conformidad

22.1 Declaración de conformidad de la UE para robot cortacésped, de batería y eléctrico con estación de carga

Fabricado por:

STIHL Tirol GmbH
Hans Peter Stihl-Straße 5
6336 Langkampfen
Austria

ANDREAS STIHL AG & Co. KG declara, como único responsable, que

Artículo: Cortacésped, automático y de batería
Marca: STIHL
Tipo: RMI 522.0 C
Número de serie: 6305

Artículo: Estación de carga
Marca: STIHL
Tipo: ADO 500
Firmware V 2.00
Número de serie: 6301

cumple con las disposiciones aplicables de las directivas 2006/42/EC, 2011/65/EU, 2006/66/EC, 2014/53/EU y se ha diseñado y fabricado en conformidad con las normas siguientes, en sus versiones en vigor en la fecha de producción:
EN 50636-2-107, EN 60335-1 Ed 5, EN 55014-1, EN 55014-2, EN 61000-3-2, EN 61000-3-3

ETSI EN 301 489-1 V2.2.3
ETSI EN 301 489-19 V2.1.1
ETSI EN 301 489-52 V2.1.1
ETSI EN 301 511 V 12.5.1
ETSI EN 301 908-1 V13.1.1
ETSI EN 301 908-13 V13.1.1
ETSI EN 303 413 V1.1.1
ETSI EN 303 447 V1.2.0

La entidad notificada TÜV Rheinland LGA Products GmbH, N.º 0197, ha comprobado la conformidad según el Anexo III Módulo B de la Directiva 2014/53/EU y expedido el siguiente certificado de examen UE de tipo:
RT 60154540 0001

Conservación de la documentación técnica:

Andreas STIHL AG & Co. KG
Homologación del producto

El año de fabricación y el número de serie se indican en la máquina.

Waiblingen, 02-11-2020

ANDREAS STIHL AG & Co. KG

por poder

Dr. Jürgen Hoffmann: director encargado de datos, normativas y homologaciones de productos

23. Datos técnicos

Número de serie	6305
Sistema de corte	Mecanismo de mulching
Dispositivo de corte	Barra portacuchillas
Ancho de corte	20 cm
Velocidad del dispositivo de corte	4450 rpm
Tipo de batería	Litio-ión
Tensión batería U_{CC}	18,0 V
Altura de corte	20 - 60 mm

Clase de protección	III
Tipo de protección	IPX4
Según EN 50636-2-107:	
Nivel sonoro L_{pA}	52 dB(A)
Factor K_{pA}	2 dB(A)
Según 2000/14/EG / S.I. 2001/1701:	
Potencia sonora medida L_{WA}	60 dB(A)
Factor K_{WA}	2 dB(A)
$L_{WA} + K_{WA}$	62 dB(A)
Longitud	60 cm
Ancho	43 cm
Altura	27 cm
Potencia	60 W
Referencia batería	AAI 100
Capacidad batería	4,9 Ah
Peso	9,7 kg

Señal móvil:

Bandas de frecuencia admitidas:	E-GSM-900 y DCS-1800
---------------------------------	----------------------

Potencia de transmisión máxima:

E-GSM-900:	880 - 915 MHz: 33,0 dBm
DCS-1800:	1710 - 1785 MHz: 30,0 dBm
LTE-CAT-M1:	698 - 960 MHz: 23 dBm
LTE-CAT-M1:	1710 - 2170 MHz: 23 dBm

Estación de carga ADO 500:

Tensión U_{CC}	27 V
Clase de protección	III
Tipo de protección	IPX4
Peso	2,7 kg

Cable delimitador y lazo de búsqueda:

Intervalo de frecuencias:	1,0 kHz - 90 kHz
Intensidad de campo máxima	< 72 μ A/m

Fuente de alimentación:

	OWA-60E-27 2,23 A
Tensión de red U_{CA}	100-240 V
Frecuencia	50/60 Hz
Corriente continua U_{CC}	27 V
Clase de protección	II
Tipo de protección	IP67

Transporte de acumuladores STIHL:

Los acumuladores STIHL cumplen los requisitos mencionados en el manual de la ONU ST/SG/AC.10/11/Rev.5 Parte III, subapartado 38.3.

El usuario puede transportar los acumuladores STIHL sin imposiciones adicionales hasta el lugar de utilización del equipo.

Para el transporte aéreo o marítimo han de respetarse las prescripciones nacionales respectivas.

Ver indicaciones de transporte adicionales en <http://www.stihl.com/safety-data-sheets>

REACH:

REACH es el marco reglamentario de la CE sobre registro, evaluación y autorización de sustancias químicas. Más información sobre el cumplimiento del reglamento REACH (CE) Nr. 1907/2006 en www.stihl.com/reach

24. Mensajes

Los mensajes informan de errores, anomalías y recomendaciones activos. Se muestran en una ventana de diálogo y se pueden abrir pulsando la tecla OK en el menú "Más - Información - Mensajes". (⇒ 11.18)



Las recomendaciones y los mensajes activos también aparecen en el indicador de estado. (⇒ 11.2)

En los detalles del mensaje se pueden consultar el código del mensaje, el momento de su aparición, la prioridad y la frecuencia de aparición.

– Las **recomendaciones** tienen la prioridad "Baja" o "Inform.", y aparecen en el indicador de estado alternativamente con el texto "Robot listo p.servicio".



El robot cortacésped puede seguir poniéndose en marcha y el servicio automático proseguirá.

– Las **anomalías** tienen la prioridad "Media" y requieren una acción del usuario.



El robot cortacésped puede ponerse en servicio otra vez solo después de eliminar la anomalía.

– En el caso de **errores** con la prioridad "Alta", aparece en el display el texto "Contactar con distribuidor especializado".



El robot cortacésped puede volver a ponerse en servicio solo después de que el distribuidor especializado STIHL haya eliminado el error.

i Si a pesar de la solución propuesta el mensaje permanece activo, hay que contactar al distribuidor especializado STIHL.

Los errores que solo puede solucionar un distribuidor especializado STIHL no se alistan a continuación. Si surgiera un error de este tipo, se deben transmitir al distribuidor especializado el código de error de 4 cifras y el texto del error.

i Los mensajes que alteran el funcionamiento normal de la máquina también son enviados a la aplicación. (⇒ 10.)

Una vez enviado el mensaje, el robot cortacésped pasa al modo de espera y desactiva la comunicación por telefonía móvil para proteger la batería.

Mensaje:

0001 – Datos actualizados
Para liberar pulsar OK

Posible causa:

- Se ha llevado a cabo la actualización del software de la máquina
- Pérdida de tensión
- Error de software o hardware

Solución:

- Después de pulsar la tecla OK, el robot cortacésped funciona con los ajustes predefinidos. Comprobar y corregir los ajustes (fecha, hora, plan de corte)

Mensaje:

0100 – Acumul. descargado
Cargar acumulador

Posible causa:

- Tensión de la batería demasiado baja

Solución:

- Colocar el robot cortacésped en la estación de carga para cargar la batería (⇒ 15.7)

Mensaje:

0180 – Temperatura baja
Placa principal

Posible causa:

- Temperatura en el interior del robot cortacésped demasiado baja

Solución:

- Dejar que el robot cortacésped se caliente

Mensaje:

0181 – Temperatura alta
Placa principal

Posible causa:

- Temperatura en el interior del robot cortacésped demasiado alta

Solución:

- Dejar que el robot cortacésped se enfríe

Mensaje:

0183 – Temperatura alta
Placa control carga

Posible causa:

- Temperatura en el interior del robot cortacésped demasiado alta

Solución:

- Dejar que el robot cortacésped se enfríe

Mensaje:

0185 – Temperatura alta
Placa control marcha

Posible causa:

- Temperatura en el interior del robot cortacésped demasiado alta

Solución:

- Dejar que el robot cortacésped se enfríe

Mensaje:

0186 – Temperatura baja
Acumulador

Posible causa:

- Temperatura de la batería demasiado baja

Solución:

- Dejar que el robot cortacésped se caliente

Mensaje:

0187 – Temperatura alta
Acumulador

Posible causa:

- Temperatura de la batería demasiado alta

Solución:

- Dejar que el robot cortacésped se enfríe
-

Mensaje:

0302 – Avería motor accion.
Rango de temperatura sobrepasado

Posible causa:

- Temperatura del motor de accionamiento izquierdo demasiado alta

Solución:

- Dejar que el robot cortacésped se enfríe
-

Mensaje:

0305 – Avería motor accion.
Rueda izquierda está inmovilizada

Posible causa:

- Sobrecarga de la rueda motriz izquierda.

Solución:

- Limpiar el robot cortacésped (⇒ 16.2)
 - Eliminar las irregularidades (hoyos, depresiones) de la superficie a cortar
-

Mensaje:

0402 – Avería motor accion.
Rango de temperatura sobrepasado

Posible causa:

- Temperatura del motor de accionamiento derecho demasiado alta

Solución:

- Dejar que el robot cortacésped se enfríe
-

Mensaje:

0405 – Avería motor accion.
Rueda derecha está inmovilizada

Posible causa:

- Sobrecarga de la rueda motriz derecha

Solución:

- Limpiar el robot cortacésped (⇒ 16.2)
 - Eliminar las irregularidades (hoyos, depresiones) de la superficie a cortar
-

Mensaje:

0502 – Avería motor corte
Rango de temperatura sobrepasado

Posible causa:

- Temperatura del motor de corte demasiado alta

Solución:

- Dejar que el robot cortacésped se enfríe
-

Mensaje:

0505 – Avería motor corte
Sobrecarga en el motor de corte

Posible causa:

- Suciedad entre el disco de arrastre y la carcasa del equipo de corte
 - El motor de corte no se puede conectar
-

- Sobrecarga en el motor de corte

Solución:

- Limpiar la cuchilla y el equipo de corte (⇒ 16.2)
Limpiar el disco de arrastre (⇒ 16.6)
 - Ajustar una altura de corte mayor (⇒ 9.5)
 - Eliminar las irregularidades (hoyos, depresiones) de la superficie a cortar
-

Mensaje:

0701 – Temper. acumulador
Abandonar rango de temperatura

Posible causa:

- Temperatura de la batería demasiado baja o demasiado alta

Solución:

- Dejar que se caliente o se enfríe el robot cortacésped; tener en cuenta el rango de temperatura admisible de la batería (⇒ 6.4)
-

Mensaje:

0703 – Acumul. descargado
Tensión de batería demasiado baja

Posible causa:

- Tensión de la batería demasiado baja

Solución:

- Colocar el robot cortacésped en la estación de carga para cargar la batería (⇒ 15.7)
-

Mensaje:

0704 – Acumul. descargado
Tensión de batería demasiado baja

Posible causa:

- Tensión de la batería demasiado baja

Solución:

- Colocar el robot cortacésped en la estación de carga para cargar la batería (⇒ 15.7)
-

Mensaje:

1000 – Vuelco
Inclinación admisible sobrepasada

Posible causa:

- El sensor de inclinación ha detectado un vuelco

Solución:

- Colocar el robot cortacésped sobre las ruedas, comprobar si está dañado y confirmar el mensaje con OK
-

Mensaje:

1010 – Robot cort.levantado
Para liberar pulsar OK

Posible causa:

- El robot cortacésped se ha levantado por el capó

Solución:

- Comprobar la movilidad del capó y confirmar el mensaje con OK
-

Mensaje:

1030 – Fallo en el capó
Comprobar el capó
Después pulsar OK

Posible causa:

- No se ha detectado ningún capó

Solución:

- Comprobar el capó (movilidad, posición fija) y confirmar con el mensaje OK
-

Mensaje:

1105 – Tapa abierta
Proceso cancelado

Posible causa:

- La tapa se abrió durante el servicio automático
- La tapa se abrió durante el recorrido de borde automático

Solución:

- Cerrar la tapa (⇒ 15.2)
-

Mensaje:

1120 – Capó bloqueado
Comprobar el capó
Después pulsar OK

Posible causa:

- Colisión permanente detectada
- Desniveles alrededor o debajo de la placa base de la estación de carga

Solución:

- Liberar el robot cortacésped, retirar el obstáculo en caso necesario o modificar el recorrido del cable delimitador. A continuación, confirmar el mensaje con OK
 - Comprobar la movilidad del capó y confirmar el mensaje con OK
 - Corregir los desniveles y confirmar el mensaje con OK (⇒ 9.1)
-

Mensaje:

1125 – Eliminar obstáculo
Comprob. tendido cable

Posible causa:

- Cable delimitador tendido incorrectamente

Solución:

- Comprobar el tendido del cable delimitador, comprobar las distancias con la regla virtual iMOW® (⇒ 12.5)
-

Mensaje:

1126 – Interr. grabación
Grabación ha fallado
Eliminar obstáculo

Posible causa:

- Obstáculo en la zona del cable delimitador
- El capó se ha levantado
- Tendido de cable incorrecto

Solución:

- Liberar el robot cortacésped, retirar el obstáculo en caso necesario o cambiar el curso del cable delimitador
 - Comprobar la movilidad del capó
 - Eliminar los desniveles
 - Confirmar el mensaje con OK
 - Reiniciar la marcha de grabación en caso necesario
-

Mensaje:

1127 – Interr. grabación
Grabación ha fallado

Posible causa:

- Tecla STOP ha sido accionada
 - Inclinación admisible sobrepasada
 - Borrado/memorización de mapa interno de la superficie a cortar ha fallado
-

- Conexión a la estación de carga no ha tenido éxito

Solución:

- Confirmar el mensaje con OK
- Reiniciar la marcha de grabación en caso necesario

Mensaje:

1128 – Regreso directo a la estación
Interrupción de regreso a estación sobre cable

Posible causa:

- El regreso directo a la estación no se pudo finalizar con éxito

Solución:

- Ninguna acción necesaria; confirmar el mensaje con OK en caso necesario
- Si el problema persiste, contactar con el distribuidor especializado STIHL

Mensaje:

1130 – Está inmovil.
Liberar robot cortac.
Luego pulsar OK

Posible causa:

- El robot cortacésped está atascado
- Las ruedas motrices giran

Solución:

- Liberar el robot cortacésped, eliminar las irregularidades de la superficie a cortar o modificar el recorrido del cable delimitador; a continuación, confirmar el mensaje con OK
- Limpiar las ruedas motrices. En caso necesario, evitar el uso durante la lluvia. A continuación, confirmar el mensaje con OK (⇒ 11.11)

Mensaje:

1135 – Fuera
Colocar iMOW® en superficie a cortar

Posible causa:

- El robot cortacésped se encuentra fuera de la superficie a cortar

Solución:

- Trasladar el robot cortacésped a la superficie a cortar

Mensaje:

1140 – Demas.inclin.
Comprob. tendido cable

Posible causa:

- El sensor de inclinación ha detectado una pendiente de más de 40%

Solución:

- Modificar el recorrido del cable delimitador, excluir superficies de césped con una pendiente de más de 40%

Mensaje:

1170 – Ninguna señal
Conectar estación de carga

Posible causa:

- La estación de carga está desconectada
- La señal del cable no se recibe durante el funcionamiento
- El robot cortacésped se encuentra fuera de la superficie a cortar
- La estación de carga o sus componentes electrónicos se han sustituido

Solución:

- Conectar la estación de carga y ejecutar el comando de corte
- Comprobar la alimentación de la estación de carga

- Comprobar el LED en la estación de carga. El LED rojo debe estar constantemente encendido durante el servicio (⇒ 13.1)
- Trasladar el robot cortacésped a la superficie a cortar
- Conectar el robot cortacésped y la estación de carga (⇒ 11.16)

Mensaje:

1180 – Conectar robot a estac. carga
Conexión automática
no es posible

Posible causa:

- La estación de carga no se ha encontrado
- Se instaló mal un principio o un final de un pasillo

Solución:

- Comprobar el LED en la estación de carga. En caso necesario, conectar la estación de carga (⇒ 13.1)
- Comprobar la conexión a la estación (⇒ 15.6)
- Comprobar la entrada y salida en forma de embudo del pasillo (⇒ 12.11)

Mensaje:

1190 – Error conex.a estac.
Estación carga ocupada

Posible causa:

- Estación de carga conectada a un segundo robot cortacésped

Solución:

- Conectar el robot cortacésped a la estación de carga cuando esta vuelva a estar libre

Mensaje:

1200 – Avería motor corte
Arranque del motor de corte imposible tras
5 intentos

Posible causa:

- Suciedad entre el disco de arrastre y la carcasa del equipo de corte
- El motor de corte no se puede conectar
- Sobrecarga en el motor de corte

Solución:

- Limpiar la cuchilla y el equipo de corte (⇒ 16.2)
Limpiar el disco de arrastre (⇒ 16.6)
- Ajustar una altura de corte mayor (⇒ 9.5)
- Eliminar las irregularidades (hoyos, depresiones) de la superficie a cortar

Mensaje:

1210 – Avería motor accion.
Rueda inmovilizada

Posible causa:

- Sobrecarga de una rueda motriz

Solución:

- Limpiar el robot cortacésped (⇒ 16.2)
- Eliminar las irregularidades (hoyos, depresiones) de la superficie a cortar

Mensaje:

1220 – Lluvia detectada
Corte interrumpido

Posible causa:

- El proceso de corte se ha interrumpido o no ha comenzado por causa de la lluvia

Solución:

- No es necesaria ninguna acción. En caso necesario, ajustar el sensor de lluvia (⇒ 11.11)

Mensaje:

1230 – Error de conexión
Conectar robot a estac. carga

Posible causa:

- La estación de carga se ha encontrado; no es posible realizar la conexión automática

Solución:

- Comprobar la conexión a la estación de carga; conectar el robot cortacésped manualmente en caso necesario (⇒ 15.6)
- Comprobar el cable delimitador. Asegurarse de que el recorrido es el correcto en la zona de la estación de carga (⇒ 9.9)

Mensaje:

2000 – Problema de señal
Conectar robot a estac. carga

Posible causa:

- Señal de cable incorrecta; se requiere una sintonización precisa

Solución:

- Colocar el robot cortacésped en la estación de carga; a continuación, pulsar OK

Mensaje:

2020 – Recomendación
Servicio anual por distribuidor especial.

Posible causa:

- Servicio técnico del equipo recomendado

Solución:

- Encargar la realización del servicio anual al Distribuidor especializado STIHL

Mensaje:

2030 – Acumulador
Vida útil admisible alcanzada

Posible causa:

- Es necesario sustituir el acumulador

Solución:

- Acudir a un Distribuidor especializado STIHL para sustituir el acumulador

Mensaje:

2031 – Fallo de carga
Comprobar contacto de carga

Posible causa:

- El proceso de carga no se puede iniciar

Solución:

- Comprobar los contactos de carga en la estación de carga y en el robot cortacésped, y limpiarlos en caso necesario; a continuación, confirmar el mensaje con OK.

Mensaje:

2032 – Temper. acumulador
Abandonar rango de temperatura

Posible causa:

- Temperatura de la batería demasiado baja o demasiado alta durante la carga

Solución:

- Dejar que se caliente o se enfríe el robot cortacésped; tener en cuenta el rango de temperatura admisible de la batería

Mensaje:

2040 – Temper. acumulador
Abandonar rango de temperatura

Posible causa:

- Temperatura de la batería demasiado baja o demasiado alta al iniciarse el corte de césped

Solución:

- Dejar que se caliente o se enfríe el robot cortacésped; tener en cuenta el rango de temperatura admisible de la batería (⇒ 6.4)
-

Mensaje:

2050 – Adaptar plan corte
Prolongar tiempos de actividad

Posible causa:

- Los tiempos de actividad se han acortado/borrado o la duración de corte se ha prolongado. Los tiempos de actividad memorizados no son suficientes para los procesos de corte necesarios

Solución:

- Prolongar los tiempos de actividad (⇒ 11.7) o reducir la duración de corte (⇒ 11.7)
-

Mensaje:

2060 – Corte finalizado
Para liberar pulsar OK

Posible causa:

- Corte en superficie contigua finalizado con éxito

Solución:

- Llevar el robot cortacésped a la superficie a cortar y conectarlo a la estación de carga para cargar la batería (⇒ 15.6)
-

Mensaje:

2070 – Señal de GPS
Sin recepción en borde

Posible causa:

- Todo el borde de la superficie a cortar se encuentra en una zona de sombra

Solución:

- Repetir el recorrido de borde (⇒ 11.13)
 - Contactar al Distribuidor especializado STIHL pidiéndole un diagnóstico detallado
-

Mensaje:

2071 – Señal de GPS
Sin recepción en punto de inicio 1

Posible causa:

- El punto de inicio 1 se encuentra en una zona de sombra

Solución:

- Cambiar la posición del punto de inicio 1 (⇒ 11.14)
-

Mensaje:

2072 – Señal de GPS
Sin recepción en punto de inicio 2

Posible causa:

- El punto de inicio 2 se encuentra en una zona de sombra

Solución:

- Cambiar la posición del punto de inicio 2 (⇒ 11.14)
-

Mensaje:

2073 – Señal de GPS
Sin recepción en punto de inicio 3

Posible causa:

- El punto de inicio 3 se encuentra en una zona de sombra

Solución:

- Cambiar la posición del punto de inicio 3 (⇒ 11.14)
-

Mensaje:

2074 – Señal de GPS
Sin recepción en punto de inicio 4

Posible causa:

- El punto de inicio 4 se encuentra en una zona de sombra

Solución:

- Cambiar la posición del punto de inicio 4 (⇒ 11.14)
-

Mensaje:

2075 – Señal de GPS
Sin recepción en zona deseada

Posible causa:

- La zona deseada se encuentra en una zona de sombra

Solución:

- Determinar nuevamente la zona deseada (⇒ 10.)
-

Mensaje:

2076 – Señal de GPS
Zona deseada no se ha encontrado

Posible causa:

- La zona deseada no se ha podido encontrar al recorrer el borde

Solución:

- Determinar nuevamente la zona deseada. Prestar atención a que la zona deseada y el cable delimitador se entrecruzen (⇒ 10.)
-

Mensaje:

2077 – Zona deseada
Zona deseada fuera de zona delimitada

Posible causa:

- La zona deseada se encuentra fuera de la zona delimitada memorizada

Solución:

- Determinar nuevamente la zona deseada (⇒ 10.)
-

Mensaje:

2090 – Módulo de radio
Contactar con distribuidor especializado

Posible causa:

- Comunicación con el módulo de radio perturbada

Solución:

- Ninguna acción necesaria; el firmware se actualiza automáticamente en caso necesario
 - Si el problema perdura, contactar con el distribuidor especializado STIHL
-

Mensaje:

2100 – Protector GPS
Fuera de zona de hogar
Equipo bloqueado

Posible causa:

- El robot cortacésped ha sido alejado de la zona de hogar

Solución:

- Llevar el robot cortacésped nuevamente a la zona de hogar e introducir el código PIN (⇒ 5.9)
-

Mensaje:

2110 – Protector GPS
Nuevo emplazamiento
Nueva inst. necesaria

Posible causa:

- El robot cortacésped se ha puesto en servicio en otra superficie a cortar. La señal de cable de la segunda estación de carga ya ha sido memorizada.

Solución:

- Realizar una nueva instalación (⇒ 11.13)
-

Mensaje:

2400 – iMOW® restablecido con éxito a los ajustes de fábrica

Posible causa:

- El robot cortacésped ha sido restablecido a los ajustes de fábrica

Solución:

- Confirmar el mensaje con OK
-

Mensaje:

4000 – Error de tensión
Sobretensión o subtensión de batería

Posible causa:

- Sobretensión o subtensión en la batería

Solución:

- Ninguna acción necesaria; el firmware se actualiza automáticamente en caso necesario
 - Si el problema perdura, contactar con el distribuidor especializado STIHL
-

Mensaje:

4001 – Error de temperatura
Abandonar rango de temperatura

Posible causa:

- Temperatura demasiado baja o demasiado alta en la batería o en el interior de la máquina

Solución:

- Dejar que se caliente o se enfríe el robot cortacésped; tener en cuenta el rango de temperatura admisible de la batería (⇒ 6.4)
-

Mensaje:

4002 – Vuelco
Véase el mensaje 1000

Mensaje:

4003 – Capó levantado
Comprobar el capó
Después pulsar OK

Posible causa:

- El capó se ha levantado.

Solución:

- Comprobar el capó y confirmar el mensaje con OK.
-

Mensaje:

4004 – Tiempo frenado accion. sobrep.
Para liberar pulsar OK

Posible causa:

- Error en el desarrollo del programa
- Tendido de cable incorrecto
- Obstáculos en la zona del cable delimitador

Solución:

- Confirmar el mensaje con OK
- Comprobar el tendido de cable, especialmente en la zona de las esquinas, con ayuda de la regla virtual iMOW® (⇒ 12.5)
- Retirar los obstáculos

Mensaje:

4005 – Tiempo fren. cuchilla sobrep.
Para liberar pulsar OK

Posible causa:

- Error en el desarrollo del programa
- Pérdida de señal (p.ej, debido a una interrupción del suministro eléctrico) durante el corte automático

Solución:

- Confirmar el mensaje con OK
- Comprobar la alimentación de corriente de la estación de carga. El LED rojo debe estar constantemente encendido durante el servicio. A continuación, pulsar la tecla OK (⇒ 13.1)

Mensaje:

4006 – Proceso de carga interrumpido
Para liberar pulsar OK

Posible causa:

- Error en el desarrollo del programa
- Fallo eléctrico durante el proceso de carga

- El robot cortacésped se ha salido de la estación de carga

Solución:

- Confirmar el mensaje con OK
- Comprobar la alimentación de la estación de carga; el LED rojo parpadea lentamente cuando el robot cortacésped está conectado a la estación (⇒ 13.1)
- Comprobar la posición correcta de la estación de carga (⇒ 9.1)

Mensaje:

4008 – La tapa no está cerrada.
Para liberar pulsar OK

Posible causa:

- Posición de la tapa no detectada correctamente
- Fallo de la transmisión de señal del sensor

Solución:

- Confirmar el mensaje con OK
- Volver a abrir y cerrar la tapa
- Si el problema perdura, contactar con un distribuidor especializado STIHL.

Mensaje:

4009 – Anomalía en sensor del capó
Para liberar pulsar OK

Posible causa:

- Carcasa desplazada

Solución:

- Comprobar la posición de la carcasa
- Comprobar la movilidad de la carcasa y limpiar eventualm. el apoyo de la carcasa
- Confirmar el mensaje con OK

Mensaje:

4016 – Desviación valor sensor tecla STOP
Para liberar pulsar OK

Posible causa:

- Error en el desarrollo del programa

Solución:

- Confirmar el mensaje con OK

Mensaje:

4027 – Tecla STOP accionada
Para liberar pulsar OK

Posible causa:

- Se ha pulsado la tecla STOP

Solución:

- Confirmar el mensaje con la tecla OK

25. Localización de anomalías

Asistencia técnica y ayuda para la aplicación

En los distribuidores especializados STIHL se puede obtener asistencia técnica y ayuda para la aplicación.

En el sitio <https://support.stihl.com/> o <https://www.stihl.com/> encontrará posibilidades de contacto e información adicional.

- ✳ En caso necesario ponerse en contacto con un establecimiento especializado: STIHL recomienda los distribuidores especializados STIHL.

Anomalía:

El robot cortacésped trabaja en el momento incorrecto

Posible causa:

- Hora y fecha ajustadas incorrectamente
- Tiempos de actividad ajustados incorrectamente
- La máquina ha sido puesta en marcha por una persona no autorizada

Solución:

- Ajustar hora y fecha (⇒ 11.10)
 - Ajustar tiempos de actividad (⇒ 11.7)
 - Ajustar nivel de seguridad "Media" o "Alta" (⇒ 11.16)
-

Anomalía:

El robot cortacésped no funciona durante un tiempo de actividad

Posible causa:

- La batería se está cargando
- El servicio automático está desconectado
- El tiempo de actividad está desconectado
- Se ha detectado lluvia
- Si está activado el tipo de plan de corte "Dinámico": se ha alcanzado la duración de corte semanal; no es necesario otro proceso de corte en esta semana
- El mensaje está activo
- La tapa está abierta o no está presente
- La estación de carga no está conectada a la red eléctrica
- La temperatura está fuera del rango de admisible
- Interrupción del suministro eléctrico

Solución:

- Dejar que termine la carga de la batería (⇒ 15.7)

- Conectar el servicio automático (⇒ 11.7)
- Confirmar el tiempo de actividad (⇒ 11.7)
- Ajustar el sensor de lluvia (⇒ 11.11)
- No es necesaria ninguna otra acción; en el tipo de plan de corte "Dinámico" los procesos de corte se distribuyen automáticamente a lo largo de la semana. En caso necesario, activar el proceso de corte en el menú "Inicio" (⇒ 11.5)
- Solucionar la anomalía indicada y confirmar el mensaje con OK (⇒ 24.)
- Cerrar la tapa (⇒ 15.2)
- Comprobar la alimentación de la estación de carga (⇒ 9.3)
- Dejar que el robot cortacésped se caliente o se enfríe. Rango de temperatura normal para poner en funcionamiento el robot cortacésped: +5 °C a +40 °C. Su distribuidor especializado le ofrecerá información detallada. ✖
- Comprobar la alimentación eléctrica. Si tras una comprobación periódica, el robot cortacésped reconoce otra vez una señal de cable, seguirá con el proceso de corte interrumpido. Por ello pueden transcurrir varios minutos hasta que se continúe el corte de césped después de una interrupción del suministro eléctrico. El intervalo entre las comprobaciones periódicas aumentará cuanto más tiempo dure la interrupción.

Anomalía:

El robot no corta el césped tras activar el menú "Inicio"

Posible causa:

- Carga de la batería insuficiente
- Se ha detectado lluvia
- La tapa no está cerrada o no existe

- El mensaje está activo
- Se ha activado "Ir a est" en la estación de carga

Solución:

- Cargar la batería (⇒ 15.7)
 - Ajustar el sensor de lluvia (⇒ 11.11)
 - Cerrar la tapa (⇒ 15.2)
 - Solucionar la anomalía indicada y confirmar el mensaje con OK (⇒ 24.)
 - Finalizar "Ir a est" o volver a ejecutar el comando después de la conexión a la estación de carga
-

Anomalía:

El robot cortacésped no trabaja y no se visualiza ningún mensaje en el display

Posible causa:

- La máquina está en modo de espera
- Batería averiada

Solución:

- Pulsar cualquier tecla para reactivar el robot cortacésped; el indicador de estado aparecerá (⇒ 11.2)
 - Cambiar la batería (✖)
-

Anomalía:

El robot cortacésped hace mucho ruido y vibra

Posible causa:

- La cuchilla está dañada
- El equipo de corte está muy sucio

Solución:

- Cambiar la cuchilla. Retirar los obstáculos de la superficie de césped (⇒ 16.4), (✖)
- Limpiar el equipo de corte (⇒ 16.2)

Anomalía:

Mal resultado de mulching y corte

Posible causa:

- La altura del césped es excesiva en relación a la altura de corte
- El césped está muy mojado
- Cuchilla desafilada o desgastada
- Tiempos de actividad insuficientes; duración de corte demasiado breve
- El tamaño de la superficie a cortar está ajustado incorrectamente
- Superficie a cortar con césped muy alto
- Fases de lluvia largas

Solución:

- Ajustar la altura de corte (⇒ 9.5)
- Ajustar el sensor de lluvia (⇒ 11.11)
Aktivzeiten verschieben (⇒ 11.7)
- Cambiar la cuchilla (⇒ 16.4), (✘)
- Prolongar o completar tiempos de actividad (⇒ 11.7)
Prolongar la duración de corte (⇒ 11.7)
- Crear nuevo plan de corte (⇒ 11.7)
- Para un resultado de corte bonito, el robot cortacésped necesita hasta 2 semanas, dependiendo del tamaño de la superficie a cortar
- Permitir corte con lluvia (⇒ 11.11)
Prolongar tiempos de actividad (⇒ 11.7)

Anomalía:

El display está en un idioma extranjero

Posible causa:

- Se han modificado los ajustes del idioma

Solución:

- Ajustar el idioma (⇒ 9.7)

Anomalía:

En la superficie a cortar hay puntos marrones (se ve la tierra)

Posible causa:

- La duración del corte en relación con la superficie a cortar es excesiva
- El cable delimitador se ha colocado en curvas demasiado estrechas
- El tamaño de la superficie a cortar está ajustado incorrectamente

Solución:

- Reducir la duración de corte (⇒ 11.7)
- Corregir el recorrido del cable delimitador (⇒ 12.)
- Crear nuevo plan de corte (⇒ 11.7)

Anomalía:

Los procesos de corte son considerablemente más breves de lo habitual

Posible causa:

- El césped es muy alto o está demasiado mojado
- El equipo (equipo de corte, ruedas motrices) está muy sucio
- El acumulador se encuentra al final de su vida útil

Solución:

- Ajustar la altura de corte (⇒ 9.5)
Ajustar el sensor de lluvia (⇒ 11.11)
Posponer tiempos de actividad (⇒ 11.7)
- Limpiar el equipo (⇒ 16.2)
- Cambiar el acumulador – Tener en cuenta la recomendación que aparece en el display (✘), (⇒ 24.)

Anomalía:

El robot cortacésped está conectado a la estación de carga; la batería no se está cargando

Posible causa:

- Carga de la batería innecesaria
- La estación de carga no está conectada a la red eléctrica
- Conexión a la estación de carga incorrecta
- Los contactos de carga están corroídos
- Fuente de alimentación defectuosa
- La máquina está en modo de espera

Solución:

- No es necesaria ninguna acción. La carga de la batería se realiza de forma automática cuando la tensión está por debajo de un determinado valor
- Comprobar la alimentación de tensión de la estación de carga (⇒ 9.8)
- Colocar el robot cortacésped en la superficie a cortar y volver a enviarlo a la estación de carga (⇒ 11.6).
Comprobar que se carga correctamente. En caso necesario, corregir la posición de la estación de carga (⇒ 9.1)
- Cambiar los contactos de carga (✘)
- Separar la fuente de alimentación de la red eléctrica y consultar a un distribuidor especializado STIHL (✘).
- Pulsar cualquier tecla para reactivar el robot cortacésped; el indicador de estado aparecerá (⇒ 11.2)

Anomalía:

No se puede conectar el equipo a la estación de carga

Posible causa:

- Desniveles en la zona de entrada de la estación de carga

- Desniveles alrededor o debajo de la placa base de la estación de carga
- La placa base de la estación de carga está doblada
- Ruedas motrices o placa base sucias
- Cable delimitador tendido incorrectamente en la zona de la estación de carga
- Extremos del cable delimitador no cortados

Solución:

- Corregir los desniveles en la zona de entrada (⇒ 9.1)
- Corregir los desniveles alrededor o debajo de la placa base (⇒ 9.1)
- Alinear la placa base de manera que quede horizontal y plana (⇒ 9.1)
- Limpiar las ruedas motrices y la placa base de la estación de carga (⇒ 16.2)
- Volver a tender el cable delimitador. Asegurarse de que el recorrido es el correcto en la zona de la estación de carga (⇒ 9.9)
- Cortar el cable delimitador como se describe y tenderlo sin reservar cable. No enrollar los extremos sobrantes (⇒ 9.10)

Anomalía:

El robot cortacésped pasa de largo de la estación de carga o se conecta en posición oblicua

Posible causa:

- La señal del cable está sometida a las influencias del entorno

- Cable delimitador tendido incorrectamente en la zona de la estación de carga

Solución:

- Conectar nuevamente el robot cortacésped y la estación de carga. Prestar atención a que el robot se encuentre en posición recta para conectarse a la estación (⇒ 11.16)
- Volver a tender el cable delimitador. Asegurarse de que el recorrido es el correcto en la zona de la estación de carga (⇒ 9.9)
Verificar que los extremos del cable delimitador están debidamente conectados a la estación de carga (⇒ 9.10)

Anomalía:

El robot cortacésped ha pasado por encima del cable delimitador

Posible causa:

- El cable delimitador está tendido incorrectamente; las distancias no coinciden
- La superficie a cortar tiene una inclinación excesiva
- El robot cortacésped se ve afectado por interferencias

Solución:

- Comprobar el tendido del cable delimitador (⇒ 11.13); comprobar las distancias con la regla virtual iMOW® (⇒ 12.5)
- Comprobar el tendido del cable delimitador; bloquear las zonas con una pendiente excesiva (⇒ 11.13)
- Contactar con el distribuidor especializado STIHL (☒)

Anomalía:

El robot cortacésped se atasca con frecuencia

Posible causa:

- La altura de corte es demasiado baja
- Las ruedas motrices están sucias
- Hoyos, obstáculos en la superficie de corte

Solución:

- Aumentar la altura de corte (⇒ 9.5)
- Limpiar las ruedas motrices (⇒ 16.2)
- Rellenar los hoyos de la superficie a cortar, instalar superficies prohibidas alrededor de obstáculos como raíces superficiales, retirar los obstáculos (⇒ 12.)

Anomalía:

El sensor de impacto no se activa cuando el robot cortacésped se topa con un obstáculo

Posible causa:

- Obstáculo bajo (con una altura inferior a 8 cm)
- El obstáculo no está arraigado al suelo (p. ej., una fruta caída o una pelota de tenis)

Solución:

- Retirar el obstáculo o acotarlo con una superficie prohibida (⇒ 12.9)
- Retirar el obstáculo

Anomalía:

Carriles de ruedas en el borde de la superficie a cortar

Posible causa:

- Corte del borde demasiado frecuente
- Duración de corte excesiva
- Puntos de inicio en uso

- Hacia el final de su vida útil, la batería se carga con mucha frecuencia
- El regreso desplazado (corredor) no está activado

Solución:

- Desactivar el corte del borde o reducirlo a una vez por semana (⇒ 11.13)
- Reducir la duración de corte
- En superficies a cortar adecuadas, iniciar todos los procesos de corte en la estación de carga (⇒ 11.14)
- Cambiar la batería – Tener en cuenta la recomendación que aparece en el display (✘), (⇒ 24.)
- Activar el regreso desplazado (corredor) (⇒ 11.13)

Anomalía:

Hierba no cortada en el borde de la superficie a cortar

Posible causa:

- "Cortar borde" desconectado
- Cable delimitador tendido incorrectamente
- La hierba se encuentra fuera del alcance de la cuchilla

Solución:

- Cortar el césped una o dos veces a la semana (⇒ 11.13)
- Comprobar el tendido del cable delimitador (⇒ 11.13); comprobar las distancias con la regla virtual iMOW® (⇒ 12.5)
- Trabajar regularmente las zonas no cortadas con un cortabordes adecuado

Anomalía:

Ninguna señal de cable

Posible causa:

- Estación de carga desconectada – el LED no se enciende

- La estación de carga no está conectada a la red eléctrica – el LED no se enciende
- El cable delimitador no está conectado a la estación de carga; el LED rojo parpadea (⇒ 13.1)
- Cable delimitador interrumpido; el LED rojo parpadea (⇒ 13.1)
- El robot cortacésped y la estación de carga no están conectados entre sí
- Sistema electrónico defectuoso; el LED parpadea SOS (⇒ 13.1)

Solución:

- Conectar la estación de carga (⇒ 13.1)
- Comprobar la alimentación de la estación de carga (⇒ 9.8)
- Conectar el cable delimitador a la estación de carga (⇒ 9.10)
- Buscar la rotura de cable (⇒ 16.7). A continuación, reparar el cable delimitador con conectores de cable (⇒ 12.16)
- Conectar el robot cortacésped y la estación de carga (⇒ 11.16)
- Contactar con distribuidor especializado (✘)

Anomalía:

El LED en la estación de carga parpadea SOS

Posible causa:

- Longitud del cable delimitador inferior al mínimo
- Sistema electrónico defectuoso

Solución:

- Instalar AKM 100 (✘)
- Contactar con distribuidor especializado (✘)

Anomalía:

El robot cortacésped no recibe ninguna señal de GPS

Posible causa:

- Se está estableciendo una conexión con satélites
- 3 o menos satélites accesibles
- La máquina se encuentra en una zona de sombra

Solución:

- No es necesaria ninguna acción; el establecimiento de la conexión puede tardar unos minutos
- Rodear o retirar obstáculos (p. ej., árboles, aleros)

Anomalía:

El robot cortacésped no puede establecer una conexión de telefonía móvil

Posible causa:

- La superficie a cortar se encuentra en una zona de sombra
- Módulo de radio no activado

Solución:

- Encargar la comprobación del módulo de radio a un distribuidor especializado STIHL (✘)

Anomalía:

El robot cortacésped no se puede alcanzar con la aplicación

Posible causa:

- Módulo de radio inactivo
- Robot cortacésped en modo de espera
- No hay conexión a Internet

- Al robot cortacésped no se le ha asignado la dirección de correo electrónico correcta

Solución:

- El módulo de radio se desconecta al realizarse la conexión a la estación de carga; después se activa nuevamente y el robot cortacésped vuelve a ser accesible
- Activar el robot cortacésped mediante la pulsación de teclas; ajustar el modo de energía "Estándar" (⇒ 11.10)
- Conectar a Internet la máquina en la que se ha instalado la aplicación
- Corregir la dirección de correo electrónico (⇒ 10.)

Anomalía:

No puede crearse una cartografía interna para el regreso directo a la estación de carga.

Posible causa:

- Interrupción o cancelación del recorrido de borde (p.ej., debido a un obstáculo o por levantar la máquina)
- Tendido de cable defectuoso
- Abandono del cable delimitador

Solución:

- Repetir el recorrido del borde; el recorrido del borde debe realizarse sin interrupciones
- Realizar el recorrido del borde más tarde
- Corregir el tendido de cable

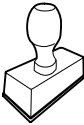
26. Plan de mantenimiento

26.1 Confirmación de entrega

Modelo: _____

Número de serie:

Fecha:



Próxima revisión


Fecha:

26.2 Confirmación de servicio técnico

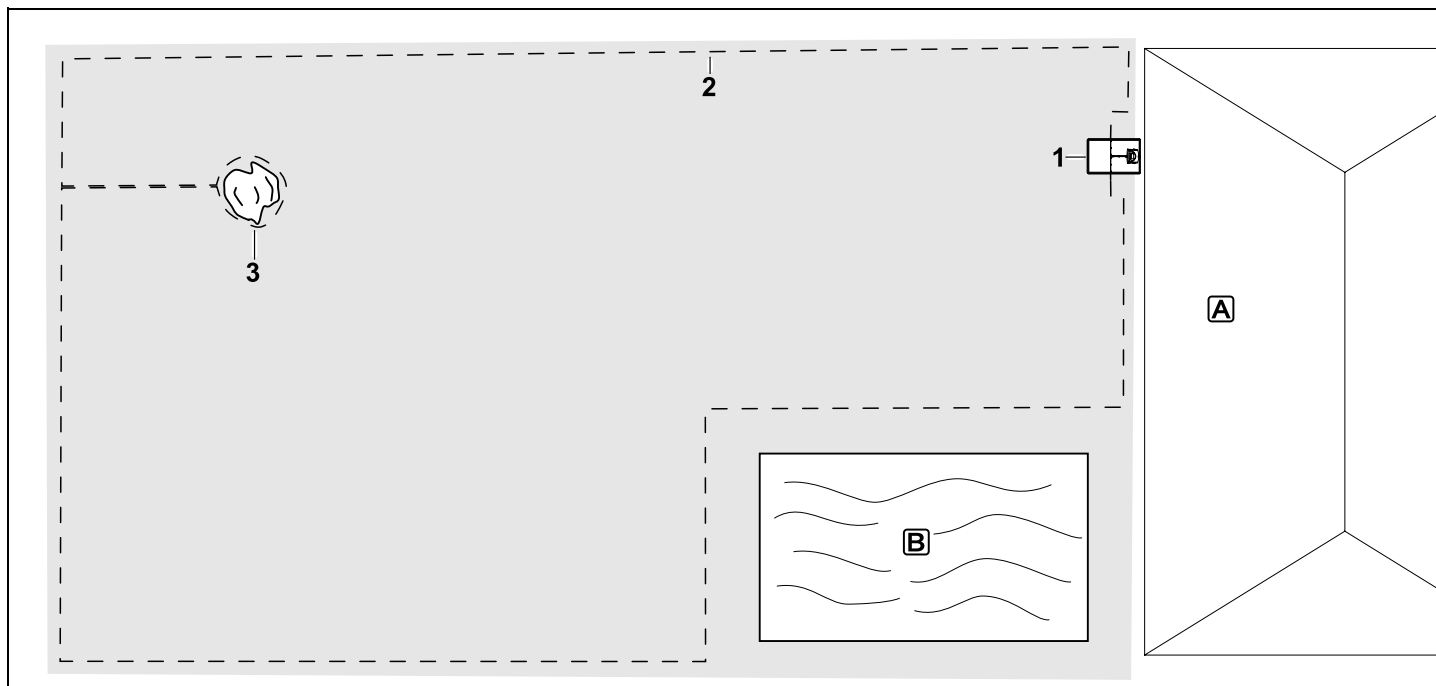


Entregue este Manual de instrucciones a su distribuidor especializado STIHL al realizarse trabajos de mantenimiento. Él le confirmará la ejecución de los trabajos de servicio técnico en los campos preimpresos.

 Servicio técnico realizado el

 Fecha del próximo servicio técnico

27. Ejemplos de instalación



Superficie a cortar rectangular con un solo árbol y una piscina

Estación de carga:

Ubicación (1) junto a la casa **A**

Superficie prohibida:

Instalación alrededor del árbol aislado (3), partiendo de un tramo de unión instalado en ángulo recto con respecto al borde.

Piscina:

Por motivos de seguridad (distancia del cable reglamentaria), el cable delimitador (2) se tiende alrededor de la piscina **B**.

Distancias del cable: (⇒ 12.5)

Distancia al borde: **28 cm**

Distancia a la superficie transitable limitrofe (por ejemplo, un camino) con escalón inferior a +/- 1 cm: **0 cm**

Distancia alrededor del árbol: **28 cm**

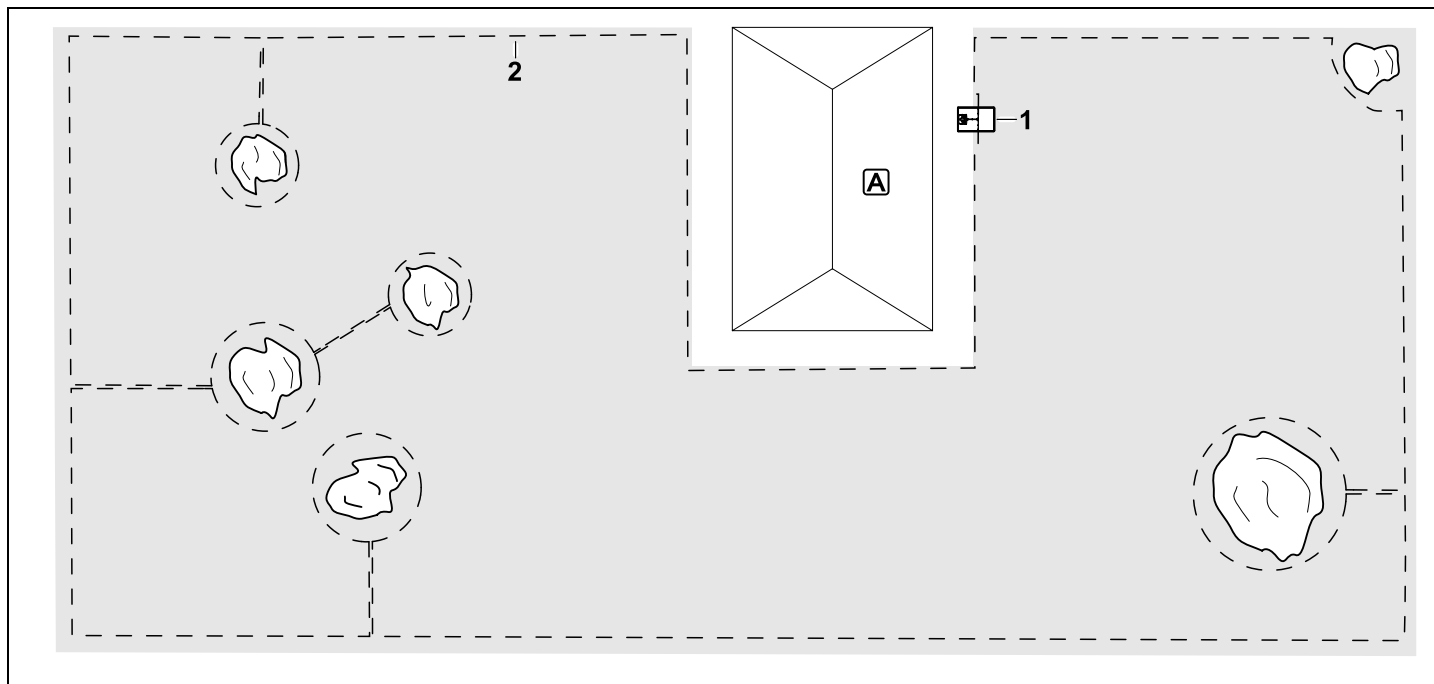
Distancia a la superficie de agua: **100 cm**

Programación:

Una vez determinado el tamaño de la superficie a cortar, ya no hay que realizar más ajustes.

Particularidades:

Cortar manualmente y con regularidad las zonas no cortadas alrededor de la piscina, o trabajarlas con un cortabordes adecuado.



Superficie a cortar en forma de U, con varios árboles aislados

Estación de carga:

Ubicación (1) junto a la casa **A**

Superficies prohibidas:

Instalación alrededor de los árboles aislados, partiendo en cada caso de tramos de unión instalados en ángulo recto con respecto al borde (2); dos superficies prohibidas conectadas por un tramo de unión.

Distancias del cable: (⇒ 12.5)

Distancia al borde: **28 cm**

Distancia a la superficie transitable limítrofe (por ejemplo, un camino) con escalón inferior a +/- 1 cm: **0 cm**

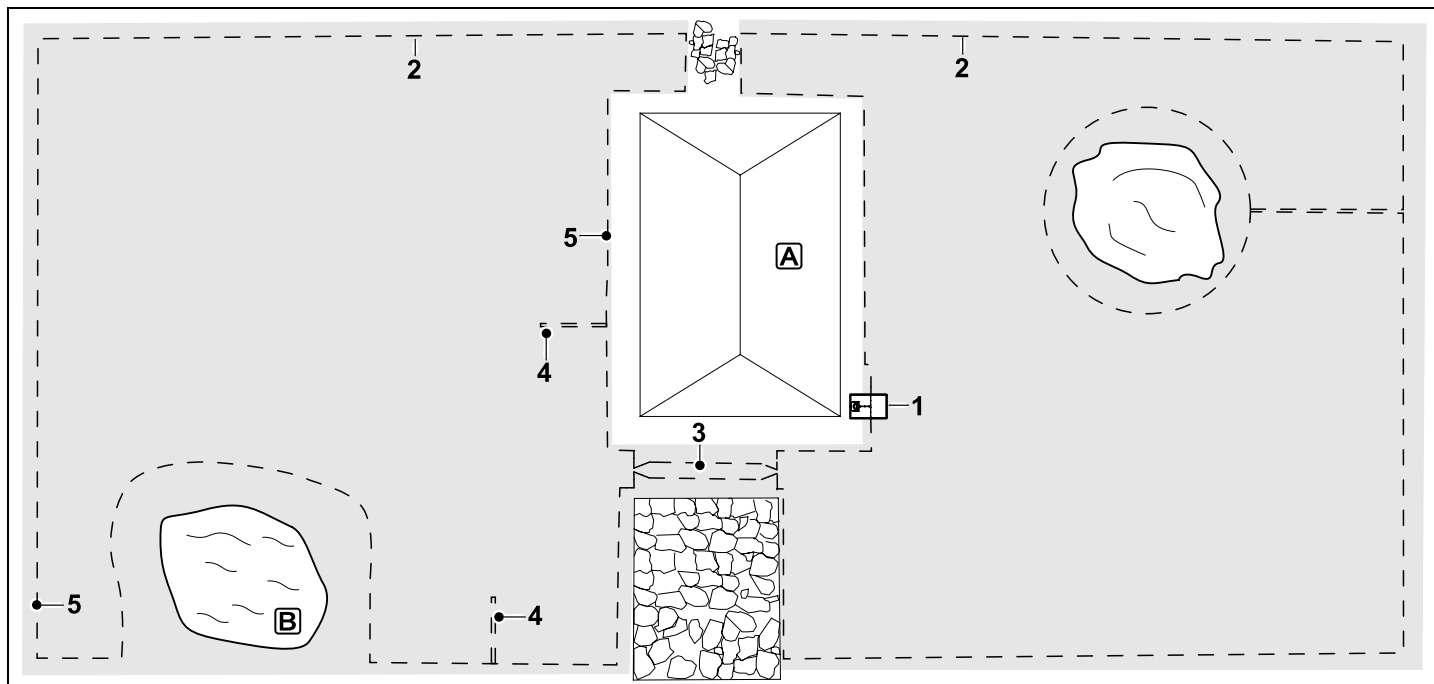
Distancia alrededor de los árboles: **28 cm**

Programación:

Una vez determinado el tamaño de la superficie a cortar, ya no hay que realizar más ajustes.

Particularidades:

Para el árbol en la esquina de la superficie a cortar, hay que emplear regularmente un cortabordes adecuado en la zona situada detrás o dejarla como zona de hierba alta.



Superficie a cortar dividida en dos, con un estanque y un árbol aislado

Estación de carga:

Ubicación (1) junto a la casa **A**

Superficie prohibida:

Instalación alrededor del árbol aislado, partiendo de un tramo de unión instalado en ángulo recto con respecto al borde.

Estanque:

Por motivos de seguridad (distancia del cable reglamentaria), el cable delimitador (2) se tiende alrededor del estanque **B**.

Distancias del cable: (⇒ 12.5)

Distancia al borde: **28 cm**

Distancia a la superficie transitable limitrofe (por ejemplo, un camino) con

escalón inferior a +/- 1 cm: **0 cm**

Alrededor del árbol: **28 cm**

Distancia a la superficie de agua: **100 cm**

Pasillo:

Instalación de un pasillo (3). Distancia del cable: **22 cm** (⇒ 12.11)

Lazos de búsqueda:

Instalación de dos lazos de búsqueda (4) para la función de regreso desplazado. (⇒ 11.13)

Distancia mínima a la entrada al pasillo:

2 m

Observar la distancia mínima a las esquinas. (⇒ 12.12)

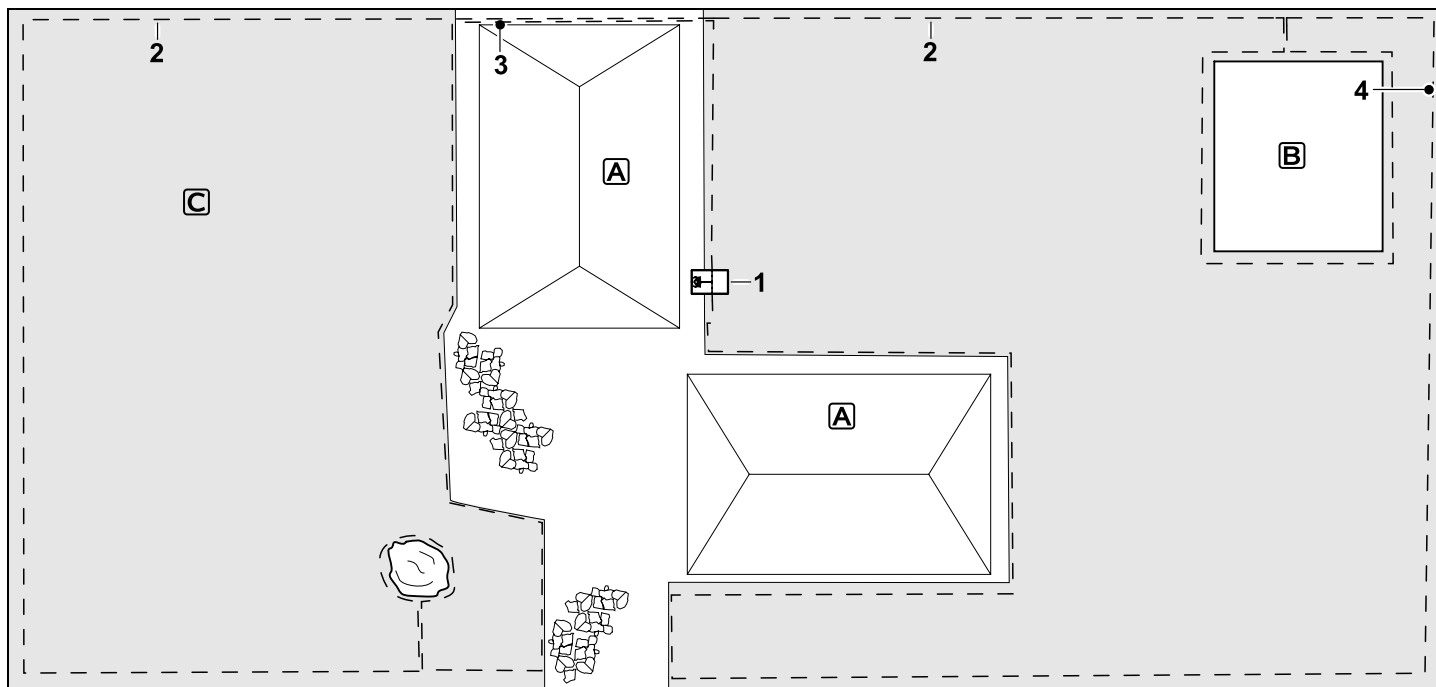
Programación:

Determinar el tamaño total de la superficie a cortar, programar 2 puntos de inicio (5)

(cerca de la estación de carga y en la esquina en ángulo del estanque) (⇒ 11.14)

Particularidades:

Cortar manualmente y con regularidad las zonas no cortadas, p. ej., alrededor del estanque, o trabajarlas con un cortabordes adecuado.



Superficie a cortar dividida en dos; el robot cortacésped no puede trasladarse autónomamente de una superficie a cortar a otra.

Estación de carga:

Emplazamiento (1) directamente al lado de las casas [A]

Superficies prohibidas:

Instalación alrededor del árbol aislado y del huerto [B], partiendo de un tramo de unión instalado en ángulo recto con respecto al borde.

Distancias del cable: (⇒ 12.5)

Distancia a la superficie transitable limítrofe (por ejemplo, una terraza) con escalón inferior a +/- 1 cm: **0 cm**
Distancia hacia obstáculos altos: **28 cm**

Distancia hacia el árbol: **28 cm**

Distancia mínima del cable en los pasos estrechos detrás del huerto. **44 cm**

Superficie contigua:

Instalación de una superficie contigua [C]. Colocar el tramo de unión (3) en un canal de cables de la terraza de la casa.

Programación:

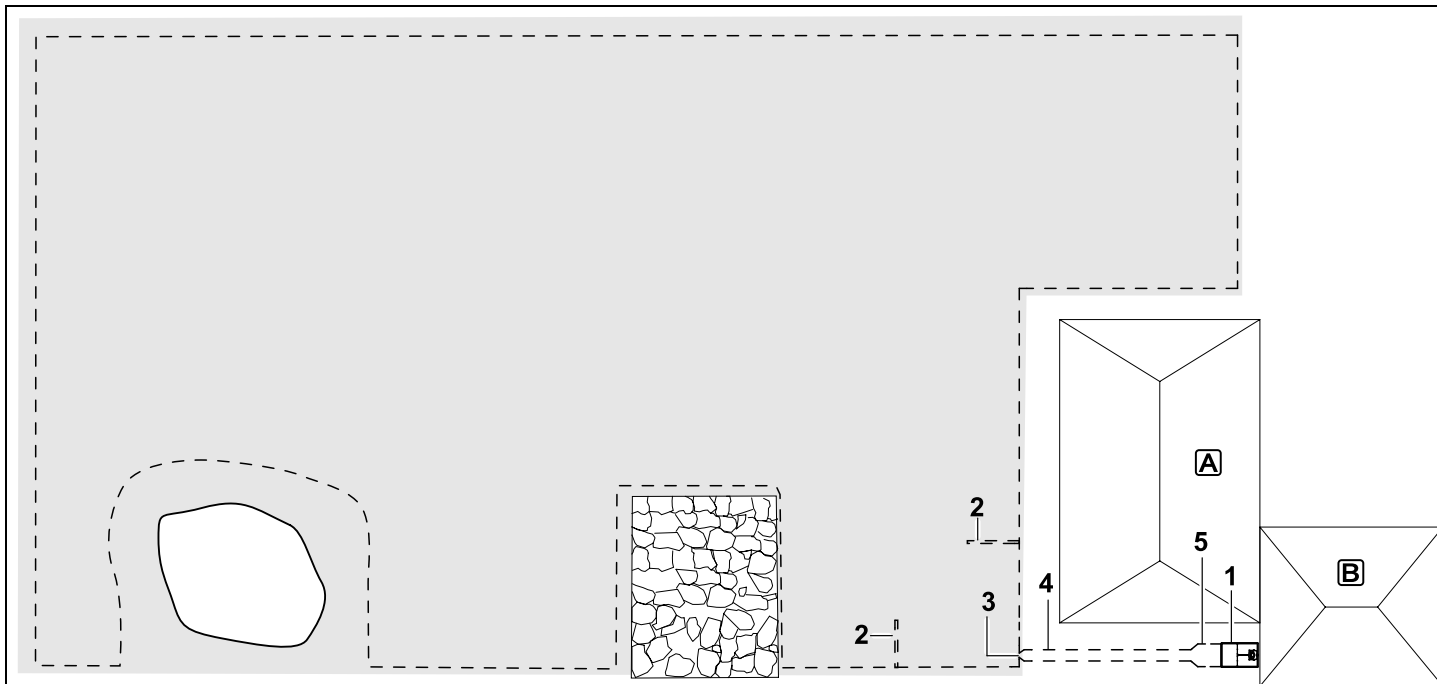
Determinar el tamaño de la superficie a cortar (sin la superficie contigua), programar 1 punto de inicio (4) en el paso estrecho para usar la función de regreso desplazado (⇒ 11.13). Frecuencia de inicio: 2 de cada 10 salidas (⇒ 11.14)

Particularidades:

Llevar el robot cortacésped a la superficie contigua varias veces por semana y activar el menú "Inicio". (⇒ 11.5)

Tener en cuenta la capacidad de trabajo. (⇒ 14.4)

En caso necesario, instalar dos superficies a cortar separadas con 2 estaciones de carga.



Superficie a cortar con estación de carga externa (1)

Estación de carga:

Ubicación (1) junto al garaje (B) y detrás de la casa (A).

Distancias del cable: (⇒ 12.5)

Distancia al borde: **28 cm**

Distancia a la superficie transitable limítrofe (por ejemplo, una terraza con escalón inferior a +/- 1 cm: **0 cm**

Distancia hacia la superficie de agua: **100 cm**

Lazos de búsqueda:

Instalación de dos lazos de búsqueda (2) para la función de regreso desplazado. (⇒ 11.13)

Distancia mínima de la entrada al pasillo:

2 m

Observar la distancia mínima a las esquinas. (⇒ 12.12)

Programación:

Determinar el tamaño de la superficie a cortar y fijar al menos un punto de inicio que se encuentre fuera del pasillo hacia la estación de carga. (⇒ 11.14)

Particularidades:

Instalación de un pasillo (4) con una entrada en forma de embudo (3). (⇒ 12.11)

Distancia del cable: 22 cm

El pasillo (4) conduce a la estación de carga externa (1). Un metro antes de la estación de carga, agrandar la distancia del cable en el pasillo hasta alcanzar la anchura de la placa base (5). (⇒ 9.1)

Tener en cuenta el espacio que se necesita en el pasillo y al lado de la estación de carga.

28. Software de Open Source

Este producto contiene software de Open Source protegido por derechos de autor, que ha sido publicado por los respectivos autores bajo ciertas condiciones de licencia, como p. ej., las licencias "GNU General Public License" (GPL), "GNU Lesser General Public License" (LGPL), "Apache License" o licencias similares. Las notas sobre derechos de autor, condiciones de uso o condiciones de licencia que estuvieran incluidas en este manual de instrucciones y contradijeran una licencia de Open Source aplicable, no podrán aplicarse. El uso y la difusión del software de Open Source incluido se somete exclusivamente a la respectiva licencia de Open Source. En la medida en que la licencia aplicable le otorgue el derecho al código fuente de este software y/o a otros datos adicionales, podrá obtener este derecho durante un período de tres años a partir de nuestra última entrega del producto, y, si lo requieren las condiciones de licencia, mientras estemos ofreciendo una asistencia técnica para dicho producto. Nosotros le podemos poner a disposición el código fuente completo correspondiente si nos envía un e-mail a oss@stihl.de. Si desea obtener el código fuente completo correspondiente en un soporte físico (como p.ej., un CD-ROM), se le facturarán los costes para la distribución física de dicho código. Esta oferta es válida para todos los que obtengan esta información.

En la siguiente dirección podrá pedir una lista actual de las partes integrantes de Open Source que estuvieran incluidas:
<http://opensource.stihl.com/>

Estimados clientes,

ficamos muito satisfeitos pelo facto de ter escolhido a STIHL. Desenvolvemos e fabricamos os nossos produtos com a máxima qualidade e de acordo com as necessidades dos nossos clientes. Por isso, os produtos oferecem uma elevada fiabilidade mesmo sob condições de esforço extremo.

Também na assistência a STIHL é uma marca de excelência. O nosso revendedor autorizado garante aconselhamento e formação competente, e um acompanhamento técnico aprofundado.

Agradecemos a sua confiança e esperamos que aprecie o seu produto STIHL.



Dr. Nikolas Stihl

IMPORTANTE! LER E GUARDAR ANTES DA UTILIZAÇÃO.

1. Índice

Sobre este manual de utilização	194
Generalidades	194
Diferenças entre países	195
Instruções sobre a leitura do manual de utilização	195
Descrição do aparelho	196
Robot cortador de relva	196
Unidade de acoplamento	197
Visor	198
Modo de funcionamento do robot cortador de relva	199
Princípio de funcionamento	199
Dispositivos de segurança	200
Botão STOP	200
Bloqueio do aparelho	200
Coberturas de proteção	200
Sensor de colisão	200
Proteção de elevação	201
Sensor de inclinação	201
Iluminação do visor	201
Pedido do PIN	201
Proteção GPS	201
Para sua segurança	201
Generalidades	201
Vestuário e equipamento	202
Aviso – Perigos originados pela corrente elétrica	203
Bateria	204
Transporte do aparelho	204
Antes da colocação em funcionamento	204
Programação	205
Durante o funcionamento	206
Manutenção e reparações	207
Armazenamento no caso de períodos de paragem mais longos	208
Eliminação	208
Descrição de símbolos	208
Fornecimento	209
Primeira instalação	209
Indicações sobre a unidade de acoplamento	213
Ligações da unidade de acoplamento	215
Ligar o cabo de rede à unidade de acoplamento	216
Material de instalação	217
Ajustar a altura de corte	217
Instruções sobre a primeira instalação	217
Definir o idioma e acertar a data e a hora	218
Instalar a unidade de acoplamento	218
Colocar o fio metálico limitador	220
Ligar o fio metálico limitador	223
Acoplar o robot cortador de relva e a unidade de acoplamento	227
Verificar a instalação	228
Programar o robot cortador de relva	230
Concluir a primeira instalação	231
Primeiro processo de corte após a primeira instalação	232
Aplicação iMOW®	232
Menu	233
Indicações de manuseamento	233
Indicação de estado	234
Área de informações	235
Menu principal	235
Início	236
Regresso	236
Plano de corte	236

Mais	237	Indicações sobre cortar a relva	256	Prender o aparelho	270
Ajustes	238	Generalidades	256	Declaração de conformidade	270
iMOW® – ajustes do aparelho	238	Mulching	256	Declaração de conformidade UE	
Ajustar o sensor de chuva	238	Tempos de atividade	257	do robot cortador de relva elétrico,	
Ajustar indicação de estado	239	Duração de corte	257	acionado a bateria com unidade de	
Instalação	239	Ponto de recolha	257	acoplamento	270
Definir pontos iniciais	240	Colocar o aparelho em		Dados técnicos	271
Regresso direto	241	funcionamento	257	Mensagens	272
Segurança	242	Preparativos	257	Localização de falhas	280
Serviço	243	Tampa	258	Plano de manutenção	284
Informação	244	Adaptar a programação	258	Confirmação de entrega	284
Fio metálico limitador	245	Cortar a relva no modo automático	259	Confirmação de assistência	284
Planear a colocação do fio		Cortar a relva independentemente		Exemplos de Instalação	285
metálico limitador	245	dos tempos de atividade	259	Software de código aberto	290
Criar um esboço da superfície a		Acoplar o robot cortador de relva	260		
cortar	246	Carregar a bateria	260		
Colocar o fio metálico limitador	246	Manutenção	261		
Ligar o fio metálico limitador	247	Plano de manutenção	261		
Distâncias do fio – utilizar a		Limpar o aparelho	262		
régua iMOW®	247	Verificar os limites de desgaste da			
Cantos pontiagudos	248	lâmina de corte	262		
Locais estreitos	248	Desmontar e montar a lâmina de			
Instalar trajetos de ligação	249	corte	263		
Superfícies de bloqueio	249	Afiar a lâmina de corte	264		
Superfícies circundantes	250	Montar e desmontar o disco de			
Travessas	250	arrastamento	264		
Circuitos de procura para o desvio		Procurar quebra do fio	264		
do regresso	252	Arrumação e período de inverno	265		
Corte exato da relva nos cantos	253	Desmontagem da unidade de			
Terrenos inclinados ao longo do fio		acoplamento	266		
metálico limitador	253	Peças de reposição comuns	267		
Instalar reservas de fio	254	Acessórios	267		
Utilizar conetores com fio	254	Minimização do desgaste e			
Distâncias estreitas da margem	255	prevenção de danos	267		
Unidade de acoplamento	255	Proteção do meio ambiente	268		
Elementos de comando da		Desmontar a bateria	268		
unidade de acoplamento	255	Transporte	269		
		Levantar ou transportar o aparelho	270		

2. Sobre este manual de utilização

2.1 Generalidades

Este manual de utilização é um **manual de instruções original** do fabricante de acordo com a Diretiva Comunitária 2006/42/EC.

A STIHL desenvolve continuamente a sua gama de produtos, pelo que reservamos o direito de modificar os componentes fornecidos em termos da forma, especificações técnicas e equipamento. Por esta razão, não se aceitam reclamações quanto a inexatidão das informações e ilustrações contidas neste manual.

Neste manual de utilização, poderão ser descritos modelos que não estão disponíveis em todos os países.

Este manual de utilização está protegido por direitos de autor. Todos os direitos estão reservados, em particular o direito de reprodução, tradução e processamento com sistemas eletrónicos.

2.2 Diferenças entre países

A STIHL fornece aparelhos com diferentes fichas e comutadores, dependendo do país de fornecimento.

As figuras mostram os aparelhos com fichas do tipo Euro. A ligação de aparelhos com outras versões de fichas à rede faz-se da mesma forma.

2.3 Instruções sobre a leitura do manual de utilização

As imagens e os textos descrevem determinados passos de operação.

Todos os símbolos gráficos aplicados no aparelho são explicados neste manual de utilização.

Perspetiva:

Perspetiva ao utilizar as designações "esquerda" e "direita" no manual de utilização:

O utilizador encontra-se atrás do aparelho e olha para a frente no sentido de marcha.

Referência de capítulo:

Uma seta remete para os respetivos capítulos e subcapítulos para mais explicações. O seguinte exemplo indica uma referência para um capítulo: (⇒ 3.)

Identificação de secções de texto:

As instruções descritas podem ser identificadas conforme os exemplos que se seguem.

Passos de operação que necessitam da intervenção do utilizador:

- Solte o parafuso (1) com uma chave de fendas, acione a alavanca (2)...

Enumerações gerais:

- Utilização do produto em eventos desportivos ou concursos

Textos com especial relevância:

As secções de texto com especial relevância são identificadas com um dos símbolos descritos a seguir, de modo a dar-lhes destaque adicional no manual de utilização.



Perigo!

Perigo de acidentes e ferimentos graves para pessoas. Um determinado comportamento é necessário ou deve ser omitido.



Aviso!

Perigo de ferimentos para pessoas. Um determinado comportamento evita ferimentos possíveis ou prováveis.



Cuidado!

Ferimentos ou danos materiais ligeiros que podem ser evitados através de um determinado comportamento.



Nota

Informação para uma melhor utilização do aparelho e para evitar possíveis falhas na utilização.

Textos com referência a imagens:

Algumas figuras necessárias para a utilização do aparelho encontram-se logo no início do manual de utilização.

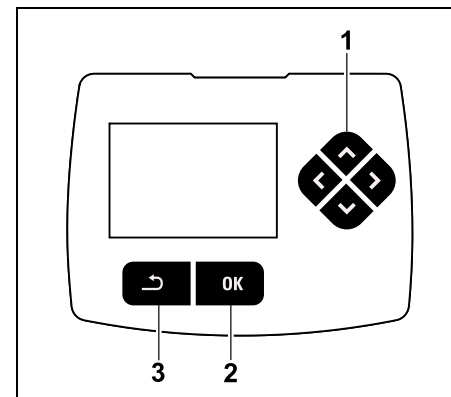
O símbolo da máquina fotográfica serve para associar as imagens nas páginas de imagens à respetiva parte do texto no manual de utilização.



Imagens com textos:

Poderá encontrar passos de operação com ligação direta à imagem imediatamente após a imagem com os respetivos números de item.

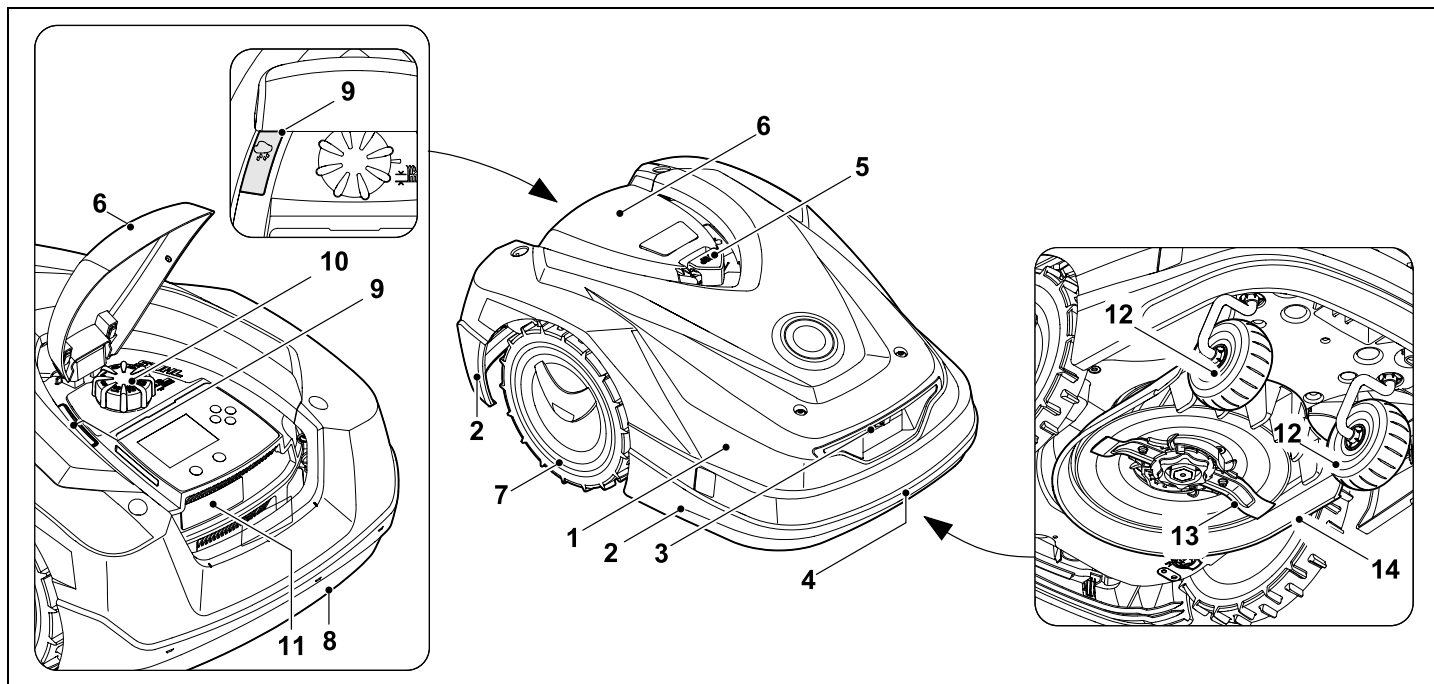
Exemplo:



A cruz de comando (1) destina-se à navegação nos menus. Os ajustes são confirmados e os menus são abertos com o botão OK (2). É possível sair novamente dos menus com o botão Voltar (3).

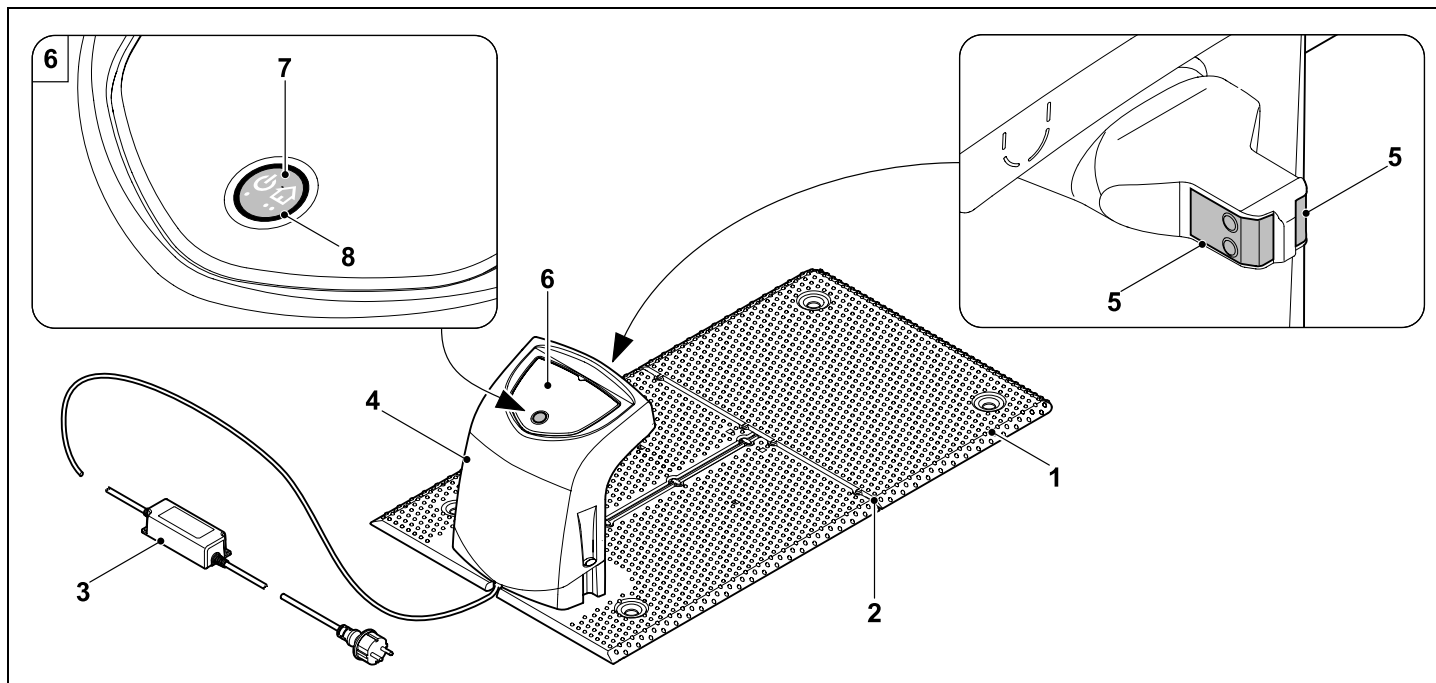
3. Descrição do aparelho

3.1 Robot cortador de relva



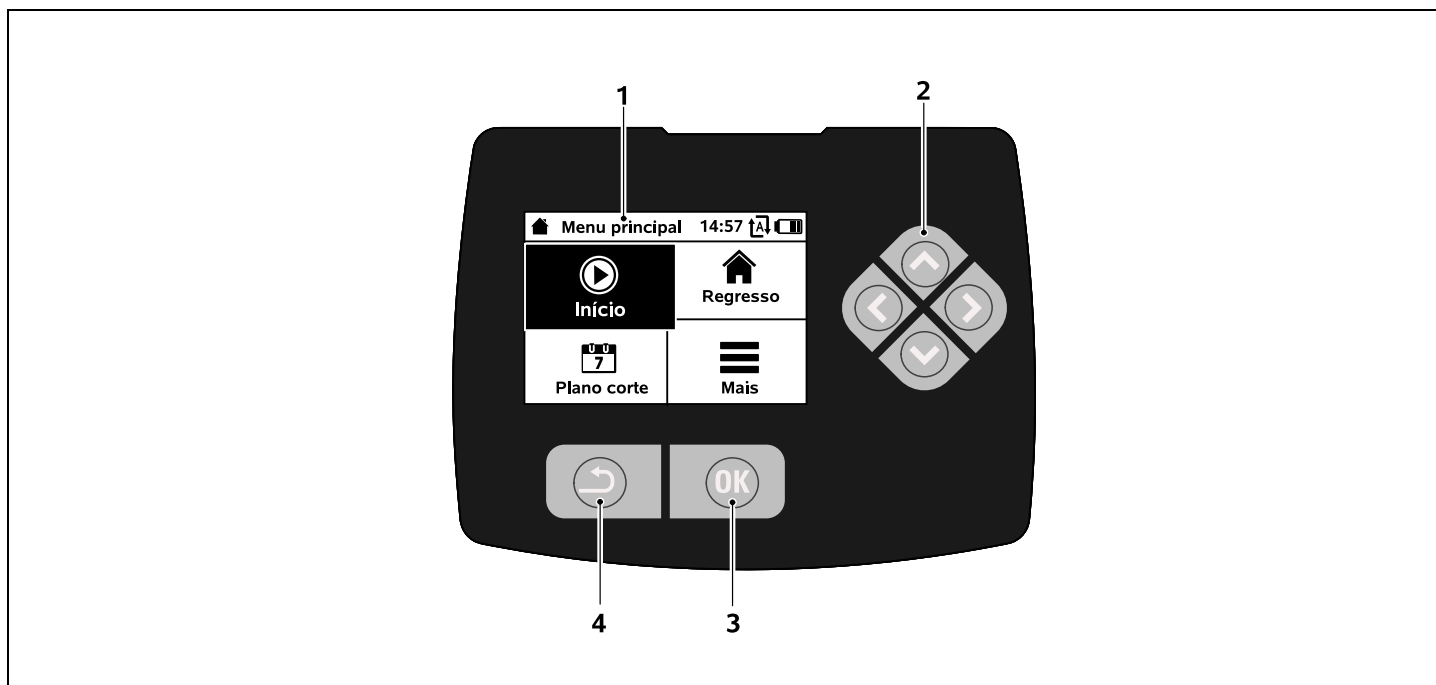
- | | | | |
|---|--|----|---|
| 1 | Capot montado de forma flexível (⇒ 5.4), (⇒ 5.5) | 8 | Pega de transporte traseira (integrada no capot móvel) (⇒ 21.1) |
| 2 | Friso protetor | 9 | Sensor de chuva (⇒ 11.10) |
| 3 | Contactos de carga:
Contactos de ligação à unidade de acoplamento | 10 | Manípulo rotativo do ajuste da altura de corte (⇒ 9.5) |
| 4 | Pega de transporte dianteira (integrada no capot móvel) (⇒ 21.1) | 11 | Placa de identificação com número de máquina |
| 5 | Botão STOP (⇒ 5.1) | 12 | Roda dianteira |
| 6 | Tampa (⇒ 15.2) | 13 | Lâmina de corte afiada em ambos os lados (⇒ 16.4) |
| 7 | Roda de acionamento | 14 | Mecanismo de corte |

3.2 Unidade de acoplamento



- 1 Placa de base
- 2 Guias de cabo para a colocação do fio metálico limitador (⇒ 9.10)
- 3 Transformador
- 4 Cobertura amovível (⇒ 9.2)
- 5 Contactos de carga:
contactos de ligação ao robot cortador de relva
- 6 Painel de comando
com botão e LED (⇒ 13.1)
- 7 Botão
- 8 Indicador LED

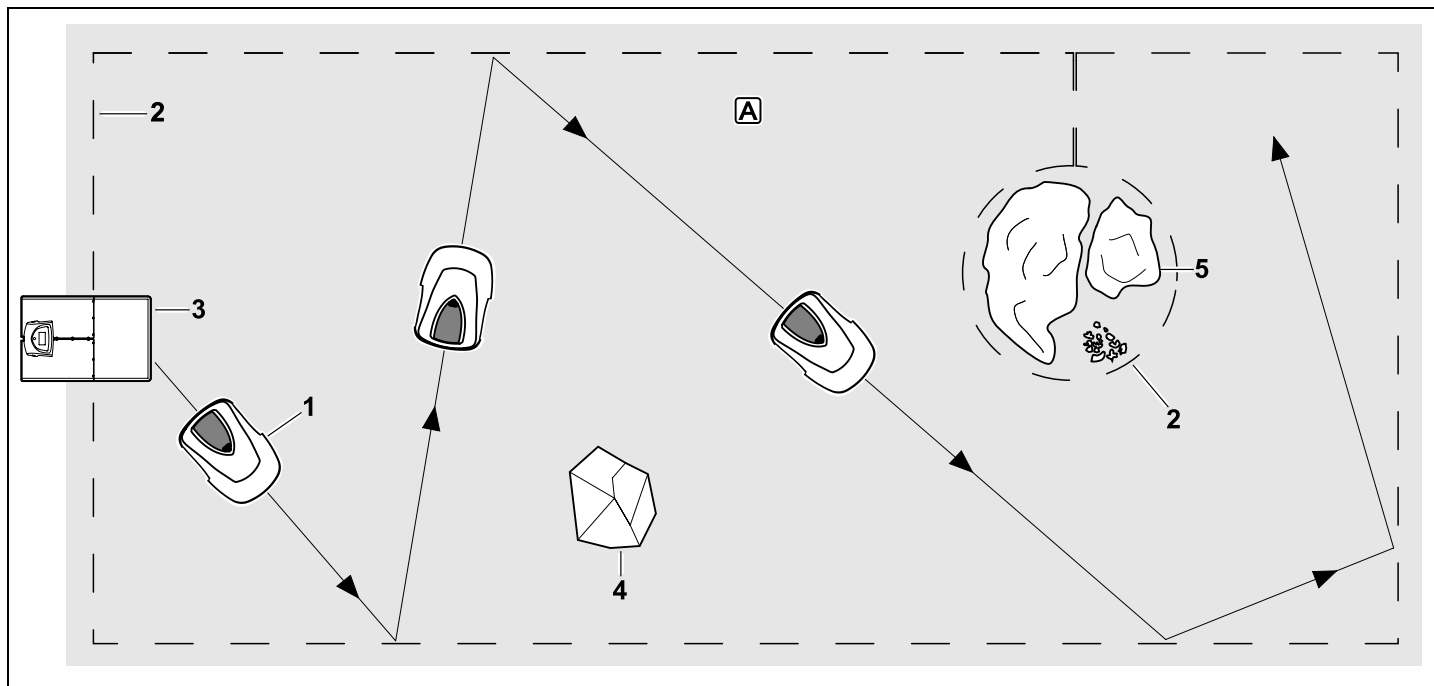
3.3 Visor



- 1 Visor com capacidade gráfica
- 2 Cruz de comando:
Navegar nos menus (⇒ 11.1)
- 3 Botão OK:
Navegar nos menus (⇒ 11.1)
- 4 Botão Voltar:
Navegar nos menus

4. Modo de funcionamento do robot cortador de relva

4.1 Princípio de funcionamento



O robot cortador de relva (1) é concebido para o processamento automático de relvados. Este aparelho corta a relva em filas escolhidas aleatoriamente.

Para que o robot cortador de relva detete os limites da superfície a cortar [A], é necessário colocar um fio metálico limitador (2) em torno dessas superfícies. Um sinal de fio produzido pela unidade de acoplamento (3) passa por este componente.

Os obstáculos fixos (4) na superfície a cortar são detetados pelo robot cortador de relva com o auxílio de um sensor de colisão. É necessário delimitar as áreas (5) que o robot cortador de relva não está autorizado a percorrer e os obstáculos com que não deve colidir das restantes superfícies a cortar com a ajuda do fio metálico limitador.

Com o modo automático ligado, o robot cortador de relva sai da unidade de acoplamento e corta a relva de forma

automática **durante os tempos de atividade** (⇒ 14.3). O robot cortador de relva dirige-se automaticamente para a unidade de acoplamento para carregar a bateria. Quando é selecionado o tipo de plano de corte "Padrão", o robot cortador de relva corta a relva e carrega durante todo o tempo de atividade. Quando é selecionado o tipo de plano de corte "Dinâmico", a quantidade e a duração dos processos de corte e de carga incluídos nos tempos de atividade são ajustadas automaticamente.

Com o modo Automático desligado e em processos de corte **independentes do tempo de atividade**, é possível ativar um processo de corte no menu "Início". (⇒ 11.5)



O robot cortador de relva STIHL pode ser utilizado de forma fiável e sem interferências nas imediações de outros robots cortadores de relva. O sinal de fio

cumprir a norma da EGMF (Federação Europeia de Máquinas de Jardim) no que diz respeito às emissões eletromagnéticas.

5. Dispositivos de segurança

Para proporcionar um funcionamento seguro e uma proteção contra utilização inadequada, o aparelho está equipado com vários dispositivos de segurança.



Perigo de ferimentos!

Se for detetada uma avaria num dos dispositivos de segurança, não será possível colocar o aparelho em funcionamento. Dirija-se a um distribuidor oficial, a STIHL recomenda os distribuidores oficiais STIHL.

5.1 Botão STOP

O funcionamento do aparelho é imediatamente interrompido ao premir o botão STOP vermelho na parte superior do robot cortador de relva. A lâmina de corte para no espaço de alguns segundos e é apresentada no visor a mensagem "Botão STOP premido". Enquanto a mensagem estiver ativa, não será possível

colocar o robot cortador de relva em funcionamento, permanecendo num estado seguro. (⇒ 24.)

Com o **modo automático ligado**, é perguntado após a confirmação da mensagem com o botão OK se pretende prosseguir com o funcionamento automático.

Se a resposta for **Sim**, o robot cortador de relva continuará a processar a superfície a cortar de acordo com o plano de corte. Se a resposta for **Não**, o robot cortador de relva permanecerá na superfície a cortar e o modo automático será desligado. (⇒ 15.4)



Premir prolongadamente o botão STOP ativa adicionalmente o bloqueio do aparelho. (⇒ 5.2)

5.2 Bloqueio do aparelho

É necessário bloquear o robot cortador de relva antes de todos os trabalhos de manutenção e limpeza, antes do transporte e antes da verificação.

Com o bloqueio do aparelho ativado, não é possível colocar o robot cortador de relva em funcionamento.

Ativar o bloqueio do aparelho:

- Prima prolongadamente o **botão STOP**,
- no menu **Mais**,
- no menu **Segurança**.

Ativar o bloqueio do aparelho através do menu Mais:

- No menu "Mais", selecione o item "Bloquear iMOW®" e confirme com o botão OK. (⇒ 11.8)



Ativar o bloqueio do aparelho através do menu Segurança:

- No menu "Mais", abra o submenu "Ajustes" e "Segurança". (⇒ 11.16)
- Selecione o item "Bloq.aparelho" e confirme com o botão OK.

Eliminar o bloqueio do aparelho:

- Se necessário, ative o aparelho premindo qualquer botão.
- Desbloqueie o robot cortador de relva com a combinação de botões ilustrada. Para tal, deverá premir o **botão OK** e o **botão Voltar** pela sequência apresentada no visor.



5.3 Coberturas de proteção

O robot cortador de relva está equipado com coberturas de proteção que evitam um contacto inadvertido com a lâmina de corte e com material a cortar. Entre estas, inclui-se particularmente o capot.

5.4 Sensor de colisão

O robot cortador de relva está equipado com um capot móvel, o qual funciona como sensor de colisão. O robot cortador de relva imobilizar-se-á imediatamente se encontrar um obstáculo fixo que tenha uma determinada altura mínima (8 cm) e que esteja ligado ao solo. Em seguida, alterará o sentido de marcha e prosseguirá com o processo de corte. Se o sensor de colisão for acionado com frequência excessiva, a lâmina de corte será adicionalmente parada.



A colisão contra um obstáculo ocorre com uma determinada força. Como tal, os obstáculos sensíveis ou objetos leves, como vasos de plantas mais pequenos, poderão ser derrubados ou danificados.

A STIHL recomenda a remoção ou delimitação de obstáculos com superfícies de bloqueio. (⇒ 12.9)

5.5 Proteção de elevação

Se o robot cortador de relva for elevado pelo capot, interromperá imediatamente o processo de corte. A lâmina de corte para ao fim de alguns segundos.

5.6 Sensor de inclinação

Se a inclinação de terreno permitida for excedida durante o funcionamento, o robot cortador de relva alterará imediatamente o sentido de marcha. Em caso de capotamento, o mecanismo de translação e o motor de corte são desligados.

5.7 Iluminação do visor

A iluminação do visor é ativada durante o funcionamento. Com a luz, é possível detetar facilmente o robot cortador de relva mesmo na escuridão.

5.8 Pedido do PIN

Se o pedido de PIN estiver ativo, será emitido um sinal de alarme após a elevação do robot cortador de relva, caso o código PIN não seja introduzido no espaço de um minuto. (⇒ 11.16)

O robot cortador de relva apenas pode ser utilizado em conjunto com a unidade de acoplamento fornecida. Uma unidade de acoplamento adicional terá de ser acoplada com o robot cortador de relva. (⇒ 11.16)



A STIHL recomenda a definição de um dos **níveis de segurança** "Reduzida", "Média" ou "Elevada". Dessa forma, garante-se que pessoas não autorizadas serão incapazes de colocar o robot cortador de relva em funcionamento com outras unidades de acoplamento ou de alterar ajustes ou a programação.

5.9 Proteção GPS

O robot cortador de relva está equipado com um recetor GPS. Com a proteção GPS ativada, o proprietário do aparelho é informado quando o aparelho é colocado em funcionamento fora do ponto de recolha. Além disso, é pedido o código PIN no visor. (⇒ 14.5)



Recomendação:
ative sempre a proteção GPS.
(⇒ 11.16)

6. Para sua segurança

6.1 Generalidades



Ao trabalhar com o aparelho, deverá obrigatoriamente seguir as seguintes instruções de prevenção de acidentes.



Antes da primeira colocação em funcionamento, é necessário ler atentamente todo o manual de utilização. Guarde o manual de utilização com cuidado para futura utilização.

Estas medidas preventivas são imprescindíveis para a sua segurança; no entanto, a listagem não é definitiva. Utilize o aparelho sempre com cuidado e com consciência da responsabilidade, tendo em consideração que o utilizador é responsável por eventuais acidentes causados a terceiros ou aos seus bens.

O termo "utilizar" abrange todos os trabalhos no robot cortador de relva, na unidade de acoplamento e no fio metálico limitador.

Como "utilizador" entende-se:

- Uma pessoa que reprograma o robot cortador de relva ou altere a programação existente.
- Uma pessoa que realize trabalhos no robot cortador de relva.
- Uma pessoa que ative ou coloque o aparelho em funcionamento.
- Uma pessoa que instale ou desinstale o fio metálico limitador ou a unidade de acoplamento.

O uso da **aplicação iMOW®** também está abrangido pelo conceito "utilizar" no âmbito deste manual de utilização.

Utilize o aparelho apenas se estiver descansado e se estiver em boas condições físicas e psíquicas. Se sofrer de algum problema de saúde, informe-se junto do seu médico sobre se pode trabalhar com o aparelho. Após a ingestão de bebidas alcoólicas, drogas ou

medicamentos que possam afetar o poder de reação, não é permitido trabalhar com o aparelho.

Familiarize-se com os elementos de comando e aprenda a utilizar o aparelho.

O aparelho apenas pode ser utilizado por pessoas que tenham lido o manual de utilização e estejam familiarizadas com o manuseamento do aparelho. Antes da primeira colocação em funcionamento, o utilizador deve procurar obter instruções competentes e práticas. O utilizador tem de ser instruído pelo vendedor ou por outra pessoa competente sobre a utilização do aparelho.

Com essas instruções, o utilizador deverá aprender em particular que é necessário ter o máximo cuidado e concentração para trabalhar com o aparelho.

Apesar de utilizar este aparelho de acordo com as normas, existem sempre alguns riscos.



Perigo de morte por asfixia!

Perigo de asfixia para crianças que brinquem com os materiais da embalagem. Mantenha os materiais da embalagem fora do alcance de crianças.

Por princípio, o aparelho apenas pode ser entregue ou emprestado a pessoas que tenham sido instruídas ou que estejam familiarizadas com este modelo e respetivo manuseamento. O manual de utilização é parte integrante do aparelho e tem de ser sempre fornecido.

Certifique-se de que o utilizador está em plena posse das suas capacidades físicas, sensoriais e mentais para utilizar e trabalhar com o aparelho. Caso o utilizador apresente capacidades físicas, sensoriais ou mentais limitadas para tal, o

utilizador apenas poderá trabalhar com o aparelho sob supervisão ou de acordo com as indicações de uma pessoa responsável.

Garanta que o utilizador é maior de idade ou devidamente formado numa atividade sob supervisão, de acordo com a regulamentação nacional.



Atenção - Perigo de acidentes!



Durante o funcionamento de corte, as crianças devem ser mantidas afastadas do aparelho e da superfície a cortar.



Durante o funcionamento de corte, os cães e outros animais domésticos devem ser mantidos afastados do aparelho e da superfície a

cortar.

Por motivos de segurança, é proibida qualquer alteração ao aparelho, com exceção da montagem de acessórios e aparelhos acopláveis autorizados pela STIHL. Qualquer alteração resultará na invalidação do direito à garantia. Poderá obter informações sobre acessórios e aparelhos acopláveis autorizados junto do seu distribuidor oficial STIHL.

Em particular, é proibida qualquer alteração ao aparelho que altere a potência ou a rotação dos motores elétricos.

Não poderão ser efetuadas quaisquer alterações no aparelho que conduzam a um aumento da emissão de ruídos.

O software do aparelho nunca pode ser alterado ou manipulado, por motivos de segurança.

Durante a utilização em parques públicos, em instalações desportivas, em ruas e em empresas agrárias e florestais, dever-se-á tomar cuidados especiais.

Não podem ser transportados objetos, animais ou pessoas, especialmente crianças, com o aparelho.

Nunca permita que pessoas, em particular crianças, viajem ou se sentem no robot cortador de relva.

Atenção – Perigo de acidentes!

O robot cortador de relva destina-se a cuidados automáticos com o relvado. Não é permitida qualquer outra utilização, a qual poderá ser perigosa ou originar danos no aparelho.

Devido ao risco de ferimentos do utilizador, o aparelho não pode ser utilizado para os seguintes trabalhos (lista incompleta):

- para aparar arbustos, sebes vivas e ramagens,
- para cortar trepadeiras,
- para cuidar de relvados em telhados ou em canteiros de varanda,
- para triturar ou lascar ramagens de árvores ou aparas de sebes,
- para limpar passeios (aspiração, expulsão por sopra),
- para aplanar o solo, como, por exemplo, para aplanar montes de toupeiras.

6.2 Vestuário e equipamento



Utilize calçado robusto com sola antiderrapante e nunca trabalhe com os pés descalços ou, por exemplo, de sandálias

- ao aproximar-se do robot cortador de relva durante o funcionamento.



Use vestuário de trabalho adequado durante a instalação, os trabalhos de manutenção e todos os outros trabalhos do género no aparelho e na unidade de acoplamento.

Nunca use vestuário solto que possa ficar pendurado em peças móveis – não utilize também joias, gravatas ou cachecóis.

Use em particular calças compridas

- ao aproximar-se do robot cortador de relva durante o funcionamento.



Utilize sempre luvas justas durante os trabalhos de manutenção e limpeza, durante os trabalhos de colocação do fio (colocar e retirar novamente o fio) e durante a fixação da unidade de acoplamento.

Proteja as mãos em particular durante todos os trabalhos na lâmina de corte e ao pregar os pregos de fixação e as estacas da unidade de acoplamento.

Prenda e proteja os cabelos compridos durante todos os trabalhos no aparelho (elástico, gorro, etc.).



É necessário usar óculos de proteção adequados ao pregar os pregos de fixação e as estacas da unidade de acoplamento.

6.3 Aviso – Perigos originados pela corrente elétrica



Atenção! Perigo de choque elétrico!

Um cabo de rede e uma ficha de rede do transformador intactos são especialmente importantes para a segurança elétrica. Cabos de ligação, acoplamentos e fichas danificados ou que não correspondam às normas não poderão ser utilizados, para que não se verifique o risco de um choque elétrico.



Por isso, verifique regularmente se o cabo de ligação apresenta indícios de danos ou envelhecimento (fragilidade).

Utilize apenas um transformador original.

O transformador não pode ser utilizado

- se estiver danificado ou gasto,
- se os cabos estiverem danificados ou gastos. Verifique em particular se o cabo de ligação à rede apresenta danos e sinais de degradação.

Os trabalhos de manutenção e de reparação em cabos de rede e no transformador apenas podem ser efetuados por especialistas com formação específica.

Perigo de choque elétrico!

Não ligue um cabo danificado à corrente e toque num cabo defeituoso apenas quando estiver desligado da corrente.

Os cabos de ligação do transformador não podem ser modificados (por exemplo, encurtados). O cabo entre o transformador e a unidade de acoplamento não pode ser prolongado.

A ficha do transformador só deve ser ligada ao sistema eletrónico da unidade de acoplamento se estiver seca e limpa.

Não deixe o transformador e o cabo em solo húmido durante muito tempo.

Perigo de choque elétrico!

Cabos, acoplamentos e fichas danificados ou cabos de ligação que não correspondem às prescrições não poderão ser utilizados.

Certifique-se sempre de que os cabos de rede utilizados estão adequadamente protegidos.

Desligue o cabo de ligação da ficha e da tomada e não puxe pelos cabos de ligação.

Ligue o aparelho apenas a uma tomada protegida por um interruptor de proteção de corrente de falha com uma corrente de disparo máxima de 30 mA. O seu eletricista poderá dar-lhe mais informações a este respeito.

Se o transformador for ligado à rede elétrica no exterior de um edifício, a tomada deve estar aprovada para uso em áreas exteriores. O eletricista poder-lhe-á dar mais informações a respeito das normas específicas de cada país.

Se o aparelho for ligado a um grupo eletrogéneo, deverá ter em atenção que poderá ser danificado por variações de corrente.

6.4 Bateria

Utilize apenas uma bateria original.

A bateria está exclusivamente destinada a ser montada de forma fixa num robot cortador de relva STIHL. Nesse local, é protegida de forma ideal e é carregada quando o robot cortador de relva está na unidade de acoplamento. Não é permitido utilizar outro carregador. A utilização de um carregador inadequado poderá constituir um perigo de choque elétrico, originar um sobreaquecimento ou o derrame do líquido cáustico da bateria.

Nunca abra a bateria.

Não deixe cair a bateria.

Não utilize uma bateria avariada ou deformada.

Guarde a bateria fora do alcance das crianças.



Perigo de explosão!

Proteja a bateria contra a exposição solar direta, contra o calor e contra incêndios – nunca a deite no fogo.



Utilize e guarde a bateria apenas num intervalo de temperaturas entre -10 °C e +50 °C, no máximo.



Proteja a bateria contra a chuva e humidade – não a mergulhe em líquidos.



Não exponha a bateria a micro-ondas ou a pressões elevadas.

Nunca ligue (provocando um curto-circuito) os contactos da bateria a objetos metálicos. A bateria poderá ser danificada através de um curto-circuito.

Mantenha uma bateria não utilizada afastada de objectos metálicos (por exemplo, pregos, moedas, jóias). Não utilize um suporte de transporte metálico – **perigo de explosão e de incêndio!**

No caso de uma utilização incorreta, poderá sair líquido da bateria – evite o contacto! Em caso de contacto accidental, lave com água. Se o líquido entrar em contacto com os olhos, procure adicionalmente ajuda médica. O líquido derramado pela bateria poderá originar irritações da pele, queimaduras e cauterizações.

Não encaixe nenhum objeto nas ranhuras de ventilação da bateria.

Para mais instruções de segurança, consulte <http://www.stihl.com/safety-data-sheets>

6.5 Transporte do aparelho

Ative o bloqueio do aparelho antes de cada transporte, em particular antes de elevar o robot cortador de relva. (⇒ 5.2)

Deixe o aparelho arrefecer antes de ser transportado.

Ao levantar e carregar o aparelho, evite o contacto com a lâmina de corte. O robot cortador de relva apenas pode ser elevado pelas duas pegadas de transporte, nunca pegue pela parte inferior do aparelho.

Observe o peso do aparelho e, se necessário, utilize auxílios de carga adequados (dispositivos de elevação).

Proteja o aparelho e as respetivas peças transportadas (por exemplo, unidade de acoplamento) na superfície de carga com meios de fixação (cintas, cabos, etc.)

suficientemente dimensionados nos pontos de fixação descritos neste manual de utilização. (⇒ 21.)

No transporte do aparelho, deve ser respeitada a legislação regional em vigor, em particular a que diz respeito à proteção das cargas e ao transporte de objetos em superfícies de carga.

Não deixe a bateria no automóvel e nunca a sujeite à exposição solar direta.

As baterias de íões de lítio têm de ser manuseadas com especial cuidado durante o transporte, sendo necessário prestar especial atenção à segurança ao nível do curto-circuito. Transporte a bateria apenas no robot cortador de relva.

6.6 Antes da colocação em funcionamento

Certifique-se de que todas as pessoas que utilizam o aparelho estão familiarizadas com o manual de utilização.

Siga as indicações para a instalação da unidade de acoplamento (⇒ 9.1) e do fio metálico limitador (⇒ 12.).

O fio metálico limitador e o cabo de rede têm de estar bem fixados ao solo, de modo a não representarem perigo de tropeções. Dever-se-á evitar uma colocação sobre arestas (por exemplo, calçadas, arestas em paralelo). Durante a colocação em solos em que não seja possível pregar os pregos de fixação fornecidos (por exemplo, calçadas, arestas em paralelo), dever-se-á utilizar um canal do cabo.

A colocação correta do fio metálico limitador e do cabo de rede deverá ser verificada regularmente.

Pregue os pregos de fixação sempre até ao fim, de modo a evitar o perigo de tropeções.

Não instale a unidade de acoplamento num ponto com pouca visibilidade que possa dar origem a tropeções (por exemplo, cantos traseiros da casa).

Instale a unidade de acoplamento, se possível, fora do alcance de répteis como formigas ou caracóis – deve evitar-se, em particular, áreas onde existam formigueiros e unidades de compostagem.

As áreas que o robot cortador de relva não possa percorrer sem perigo (por exemplo, devido ao perigo de tropeçar) deverão ser bloqueadas através de uma colocação correspondente do fio metálico limitador. A STIHL recomenda colocar o robot cortador de relva em funcionamento apenas em relvados e caminhos sólidos (por exemplo, entradas pavimentadas).

O robot cortador de relva não deteta qualquer ponto propício a tropeções, tais como arestas, saliências, piscinas ou lagos. Se o fio metálico limitador for colocado ao longo de potenciais pontos propícios a tropeções, deverá ser respeitada uma distância de segurança superior a **1 m** entre o fio metálico limitador e o ponto de perigo, por motivos de segurança.

Verifique regularmente o terreno em que irá utilizar o aparelho e remova todas as pedras, paus, arames, ossos e todos os outros objetos estranhos que porventura possam ser projetados pelo aparelho. Após a instalação do fio metálico limitador, remova em particular todas as ferramentas da superfície a cortar. Os

pregos de fixação partidos ou danificados têm de ser extraídos da relva e eliminados.

Verifique regularmente se existem irregularidades nas superfícies a cortar e elimine-as.

Nunca utilize o aparelho se os dispositivos de proteção estiverem danificados ou se não estiverem montados.

Os dispositivos de comando e de segurança instalados no aparelho não podem ser retirados ou ligados em ponte.

Antes da utilização do aparelho, substitua os componentes avariados, gastos e danificados. Substitua os avisos de perigo e alerta no aparelho que se tenham tornado ilegíveis ou estejam danificados. O seu distribuidor oficial STIHL tem disponíveis avisos autocolantes de reposição e todas as restantes peças de reposição.



Perigo de ferimentos!

As peças gastas ou danificadas (por exemplo, lâminas embotadas) podem afetar a segurança do aparelho e causar ferimentos no utilizador.

Antes da colocação em funcionamento, verifique

- se o aparelho está num estado operacionalmente seguro. Ou seja, se as coberturas, os dispositivos de segurança e a tampa se encontram no devido lugar e se estão em perfeitas condições.

- se a unidade de acoplamento se encontra num estado operacionalmente seguro. Neste caso, todas as coberturas têm de estar corretamente montadas e em perfeitas condições.
- se a ligação elétrica do transformador foi efetuada numa tomada corretamente instalada.
- se o isolamento do cabo de ligação e da ficha de rede no transformador estão em perfeitas condições.
- se nenhuma parte do aparelho (cárter, capot, tampa, elementos de fixação, lâmina de corte, eixo de lâminas, etc.) está gasta ou danificada.
- se a lâmina de corte e a fixação da lâmina estão em perfeitas condições (assentamento correto, danos, desgaste). (⇒ 16.3)
- se todos os parafusos, porcas e outros elementos de fixação estão presentes ou firmemente fixados. Aperte os parafusos e as porcas soltos antes da colocação em funcionamento (respeite os binários de aperto).

Se necessário, realize todos os trabalhos necessários ou dirija-se a um distribuidor oficial. A STIHL recomenda os distribuidores oficiais STIHL.

6.7 Programação

Tenha em consideração as normas municipais sobre as horas em que é permitido usar máquinas para o jardim com motor elétrico e programe os tempos de atividade em conformidade. (⇒ 14.3)

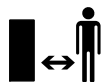
Em particular, a programação deverá ser igualmente adaptada de modo que não se encontrem crianças, observadores ou animais na superfície a cortar durante o funcionamento de corte.

A alteração da programação com o auxílio da **aplicação iMOW®** pode gerar atividade inesperada para outras pessoas. A alteração do plano de corte deverá, por conseguinte, ser comunicada a todas as pessoas afetadas.

O robot cortador de relva não pode ser utilizado em simultâneo com um sistema de irrigação. A programação deverá ser adaptada em conformidade.

Certifique-se de que estão acertadas a hora e a data correctas no robot cortador de relva. Se necessário, corrija os ajustes. Valores incorretos poderão originar um arranque involuntário do robot cortador de relva.

6.8 Durante o funcionamento



Mantenha terceiros afastados da zona de risco, em especial crianças e animais.

Nunca permita que as crianças se aproximem ou brinquem com o robot cortador de relva.

O início do processo de corte com o auxílio da **aplicação iMOW®** pode ser inesperado para outras pessoas. As pessoas afetadas deverão, por conseguinte, ser informadas de antemão de uma possível atividade do robot cortador de relva.

Nunca deixe o robot cortador de relva a trabalhar se souber que existem animais ou pessoas – em particular crianças – nas imediações.

No caso do funcionamento do robot cortador de relva em locais públicos, deverão ser colocados avisos com a seguinte instrução à volta da superfície a cortar:

"Aviso! Cortador de relva automático!
Mantenha-se afastado da máquina! As crianças deverão ser supervisionadas!"



Atenção – Perigo de ferimentos!

Nunca aproxime as mãos ou os pés de peças em rotação. Nunca toque na lâmina em

rotação.

Antes de tempestades ou em caso de perigo de relâmpagos, desligue o transformador. O robot cortador de relva não pode ser colocado em funcionamento nesse momento.

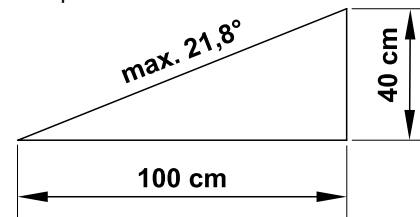
O robot cortador de relva nunca pode ser inclinado ou elevado com o motor elétrico em funcionamento.

Nunca tente configurar ajustes no aparelho enquanto um dos motores elétricos estiver em funcionamento.

Por motivos de segurança, o aparelho não poderá ser aplicado em declives com uma inclinação superior a 21,8° (40 %).

Perigo de ferimentos! Uma inclinação de

terreno de 21,8° corresponde a uma subida vertical de 40 cm num comprimento horizontal de 100 cm.



Atenção à desaceleração da ferramenta de corte, que leva alguns segundos até parar completamente.

Durante o funcionamento, prima o **botão STOP** (⇒ 5.1)

– antes de abrir a tampa.

Ative o **bloqueio do aparelho** (⇒ 5.2)

- Antes de levantar e carregar o aparelho,
- Antes de transportar o aparelho,
- Antes de eliminar bloqueios ou entupimentos,
- Antes de realizar trabalhos na lâmina de corte,
- Antes de verificar ou limpar o aparelho,
- Se tiver sido encontrado um objecto estranho ou caso o robot cortador de relva vibre fortemente, de modo anormal. Nestes casos, verifique o aparelho, nomeadamente a unidade de corte (lâmina, eixo da lâmina, fixação da lâmina) quanto a danos e realize as reparações necessárias antes de voltar a ligar o aparelho e trabalhar com o mesmo.



Perigo de ferimentos!

Vibrações fortes indicam, por regra, uma avaria.

O robot cortador de relva não pode, em particular, ser colocado em funcionamento com o eixo de lâminas danificado ou empenado ou com uma lâmina de corte danificada ou empenada.

Se não tiver os conhecimentos necessários, solicite a realização das reparações necessárias a um especialista – a STIHL recomenda os distribuidores oficiais STIHL.

Antes de sair do aparelho, os dispositivos de segurança do robot cortador de relva deverão ser adaptados de modo a que não possam ser colocados em funcionamento por pessoas não autorizadas. (⇒ 5.)

Durante a utilização da máquina e dos respetivos aparelhos periféricos, não se incline para a frente e garanta sempre um equilíbrio e uma posição firme em encostas; caminhe sempre e não corra.

Nunca opere o aparelho perto de chamas abertas.

6.9 Manutenção e reparações

Antes do início dos trabalhos de limpeza,, reparação e manutenção, ative o bloqueio do aparelho e coloque o robot cortador de relva em solo firme e plano.



Remova o transformador antes de todos os trabalhos na unidade de acoplamento e no fio metálico limitador.



Antes de todos os trabalhos de manutenção, deixe o robot cortador de relva arrefecer durante aproximadamente 5 minutos.

O cabo de ligação à rede apenas pode ser reparado ou substituído por técnicos eletricitas autorizados.

Após todos os trabalhos no aparelho, a programação do robot cortador de relva deverá ser verificada e, se necessário, corrigida antes da nova colocação em funcionamento. É necessário acertar a data e a hora, em particular.

Limpeza:

É necessário limpar cuidadosamente todo o aparelho em intervalos regulares. (⇒ 16.2)

Nunca dirija jatos de água (em particular, de aparelhos de limpeza por alta pressão) a peças do motor, vedações, componentes elétricos e pontos de apoio. Isso poderá causar danos e exigir reparações dispendiosas. Não limpe o aparelho com água a correr (por exemplo, com uma mangueira de jardim). Não utilize produtos de limpeza agressivos. Estes produtos podem danificar plásticos e metais, impedindo uma utilização segura do seu aparelho STIHL.

Trabalhos de manutenção:

Apenas podem ser realizados trabalhos de manutenção descritos neste manual de instruções; todos os restantes trabalhos deverão ser executados por um distribuidor oficial.

Se lhe faltarem os conhecimentos e os meios necessários, dirija-se **sempre** a um distribuidor oficial.

A STIHL recomenda a realização de trabalhos de manutenção e de reparação apenas por um distribuidor oficial STIHL. Os distribuidores oficiais STIHL

beneficiam de ações de formação regulares e dispõem de informações técnicas.

Utilize apenas ferramentas, acessórios ou aparelhos acopláveis autorizados pela STIHL para este aparelho ou peças tecnicamente idênticas. Caso contrário, poderão ocorrer ferimentos ou danos no aparelho. Em caso de dúvidas, deverá dirigir-se a um distribuidor oficial.

As características das ferramentas, acessórios e peças de substituição originais da STIHL estão adaptadas de forma ideal ao aparelho e às exigências do utilizador. As peças de reposição STIHL originais podem ser reconhecidas pelo número de peça de substituição STIHL, pela inscrição STIHL e, eventualmente, pela identificação de peça de substituição STIHL. Em peças pequenas, pode estar apenas o símbolo.

Mantenha os autocolantes de advertência e de indicação sempre limpos e legíveis. Os autocolantes danificados ou perdidos devem ser substituídos por novas placas originais do seu distribuidor oficial STIHL. Se um componente for substituído por uma peça nova, certifique-se de que a peça nova obtém os mesmos autocolantes.

Realize os trabalhos na unidade de corte apenas com luvas de proteção e com extremo cuidado.

Mantenha todos os parafusos e porcas, em particular todos os parafusos e elementos de fixação da unidade de corte, bem apertados, para que o aparelho se encontre em condições de funcionamento seguras.

Verifique frequentemente todo o aparelho, especialmente antes do armazenamento (por exemplo, antes do período de

inverno), quanto a desgaste e danos. Substitua imediatamente as peças gastas ou danificadas, por motivos de segurança, de modo que o aparelho esteja sempre em condições de funcionamento seguro.

Se tiverem sido retirados componentes ou dispositivos de segurança para efetuar trabalhos de manutenção, estes deverão ser imediatamente recolocados de forma correta.

6.10 Armazenamento no caso de períodos de paragem mais longos

Antes de arrumar

- Carregar a bateria, (⇒ 15.7)
- Defina o nível de segurança mais elevado, (⇒ 11.16)
- Coloque o robot cortador de relva em hibernação. (⇒ 11.17)

Certifique-se de que o aparelho está protegido contra uma utilização indevida (por exemplo, por crianças).

Armazene o aparelho num estado operacionalmente seguro.

Limpe minuciosamente o aparelho antes do armazenamento (por exemplo, período de inverno).

Deixe o aparelho arrefecer durante aproximadamente 5 minutos antes de o colocar num compartimento fechado.

O compartimento de arrumação tem de estar seco, protegido contra geada e tem de poder ser bem fechado.

Nunca guarde o aparelho junto a chamas vivas ou fontes de calor intenso (por exemplo, fornos).

6.11 Eliminação

Os resíduos podem prejudicar os seres humanos, os animais e o meio-ambiente, tendo como tal de ser devidamente eliminados.

Dirija-se ao seu centro de reciclagem ou ao seu distribuidor oficial para saber como os resíduos devem ser eliminados adequadamente. A STIHL recomenda os distribuidores oficiais STIHL.

Certifique-se de que um aparelho já desativado é encaminhado para ser eliminado de maneira tecnicamente correta. Antes de proceder à eliminação, inutilize o aparelho. No sentido de evitar acidentes, remova em particular o cabo de rede do transformador e a bateria do robot cortador de relva.

Perigo de ferimentos na lâmina de corte!

Nunca deixe um cortador de relva desativado sem alguém a vigiar. Certifique-se de que o aparelho e, em particular, a lâmina de corte são guardados fora do alcance das crianças.

A bateria tem de ser eliminada separadamente do aparelho. É necessário garantir que as baterias são eliminadas de forma segura e ecológica.

7. Descrição de símbolos



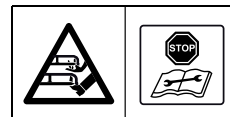
Aviso!

Antes da colocação em funcionamento, leia o manual de utilização.



Aviso!

Durante o funcionamento, mantenha-se a uma distância segura do aparelho. Mantenha terceiros afastados da zona de risco.



Aviso!

Nunca toque na lâmina em rotação.

Aviso!

Bloquee o aparelho antes de o levantar ou antes da realização de trabalhos no mesmo.



Aviso!

Não se sente nem se ponha em cima do aparelho.



Aviso!

Nunca toque na lâmina em rotação.



Aviso!

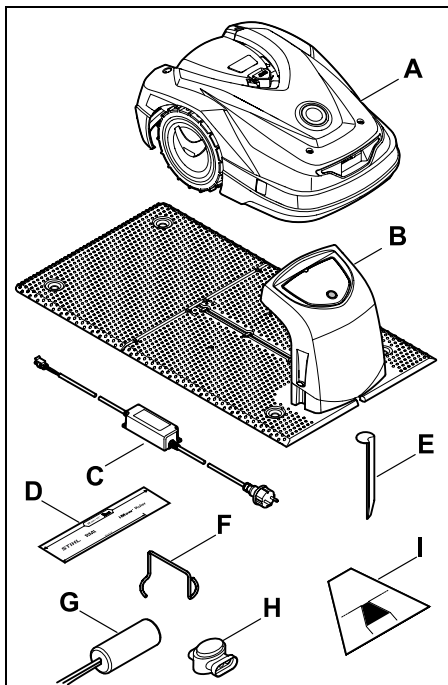
Durante o funcionamento de corte, mantenha as crianças afastadas do aparelho e da superfície a cortar.



Aviso!

Durante o funcionamento de corte, mantenha os cães e outros animais domésticos afastados do aparelho e da superfície a cortar.

8. Fornecimento



Item	Designação	Unids.
A	Robot cortador de relva	1
B	Unidade de acoplamento	1
C	Transformador	1
D	Régua iMOW®*	2
E	Estaca para a unidade de acoplamento	4
F	Extrator do disco de arrastamento	1
G	AKM 100	1
H	Conector com fio	2
I	Modelo das travessas*	1
-	Manual de utilização	1

* Tem de ser separado da inserção de cartão da embalagem.

9. Primeira instalação

Para uma instalação simples, rápida e duradoura, observe e respeite as especificações e notas, em particular no que respeita à distância do fio de 28 cm durante a colocação. (⇒ 12.)

Pode alargar a superfície cortada colocando o fio metálico limitador mais perto da margem. (⇒ 12.17) Para um funcionamento seguro, a distância do fio durante a colocação deve ser adequada às condições do local.

Guia de utilização rápida iMOW®

A título de ajuda, o robot cortador de relva é fornecido com um guia de utilização rápida em separado para instalação da unidade de acoplamento e colocação do fio metálico limitador. Consulte informações mais detalhadas nos respetivos capítulos do presente manual de utilização. Utilize sempre o guia de

utilização rápida como complemento ao manual de utilização do robot cortador de relva.

Guia de utilização rápida iMOW®

Representação reduzida da página 1:



INSTALAÇÃO BÁSICA

POSICIONAMENTO DA UNIDADE DE ACOPLAMENTO INTERNA E COLOCAÇÃO DO FIO METÁLICO LIMITADOR

UTILIZE ESTE MANUAL BREVE APENAS EM CONJUNTO COM O MANUAL DE UTILIZAÇÃO DO SEU ROBOT CORTADOR DE RELVA.

1. Antes da instalação desenhe o esboço do jardim.
2. Instale a unidade de acoplamento num local adequado e coloque o iMOW® na mesma a carregar.
3. Ative o iMOW® pressionando o botão "OK" e siga as instruções até "Colocar o fio".
4. Utilize a régua iMOW® e o modelo das travessas na definição das distâncias.
5. Prosiga a instalação com "Ligar o fio" e siga as instruções até ao fim.

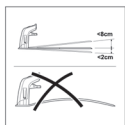
Os robots cortadores de relva iMOW® da STIHL respeitam todas as normas de segurança em vigor. Não obstante, é necessário ter em conta que: O robot cortador de relva iMOW® não é um brinquedo. Durante os tempos de atividade do robot cortador de relva iMOW®, em especial, as crianças, os observadores e os animais devem ser mantidos afastados da área de trabalho.

Medidas preparatórias para a instalação:

- Corte a superfície a cortar até ± 6 cm com um cortador de relva convencional antes de colocar em funcionamento.
 - Não deve haver sobreposição entre superfícies a cortar. Distância mínima igual ou inferior a 1 m entre os fios metálicos limitadores.
 - Distância máxima entre o robot cortador de relva iMOW® e o fio metálico limitador: 17 m.
 - Ajuste a altura de corte do iMOW®. Recomendação: Nivel de corte 4.
 - Recomeça-se a eliminação de origens de interferências, por exemplo, metais.
- ☑ 9/1/9/9/9

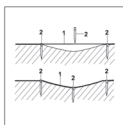
Acessório AKM 100 para jardins pequenos:

- Para comprimentos de fio metálico limitador ≤ 80 m.
- ☑ 9/9



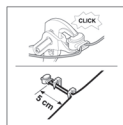
Posição de unidade de acoplamento:

- Protegida, limpa, nivelada
 - Distância relativamente à superfície de bloqueio: ± 2 m
 - Recomenda-se a utilização de uma tomada com proteção contra sobretensões.
- ☑ 9/12/9



Colocação do fio metálico limitador:

- Coloque o fio metálico limitador (1) acima do solo em intervalos regulares e fixe com pregos de fixação (2). Utilize pregos de fixação adicionais em irregularidades. Coloque o fio sem cruzar.
- ☑ 12.3



Instalação correta dos conectores com fio:

- Encaixe as extremidades soltas e não descartadas do fio no conector com fio até ao encosto. Comprima os conectores com fio com um alicate adequado, garantindo o engate correto.
- ☑ 12.16

Assistência: <https://support.stihl.com/>

☑ Manual de utilização → Fio metálico limitador ☑ iMOW® Ruler ☑ Modelo das travessas

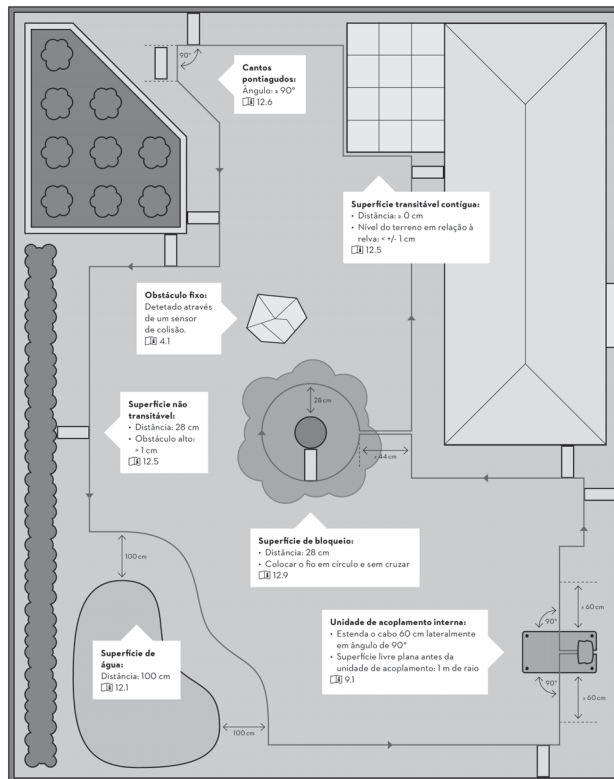


Ilustração sem escala

INSTALAÇÃO AVANÇADA

POSICIONAMENTO DA UNIDADE DE ACOPLAMENTO EXTERNA E COLOCAÇÃO DO FIO METÁLICO LIMITADOR EM CASOS ESPECIAIS



Terrenos inclinados na superfície a cortar:

De modo a permitir que o robot cortador de relva corte a relva de uma área inclinada da superfície a cortar de forma automática e sem perturbações, é necessário instalar o fio metálico limitador no declive (1) com uma distância mínima relativamente à extremidade do terreno. Distância: 0,5 m
 [12.14

Pontos iniciais:

Em superfícies a cortar, cujo acesso se faça através de uma travessa ou de uma unidade de acoplamento externa, é necessário definir um ponto inicial.
 [9.8/11.13/11.14/12.11

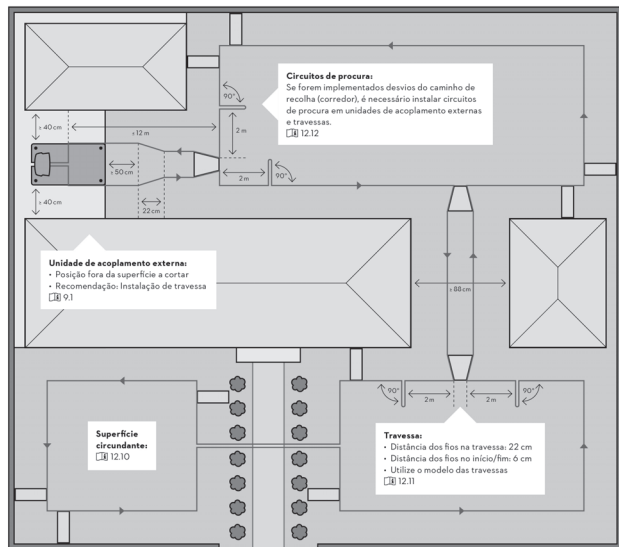


Ilustração sem escala

Assistência: <https://support.stihl.com/>

0477-810-1271 PT-12

9.1 Indicações sobre a unidade de acoplamento

Requisitos da localização da unidade de acoplamento:

– **protegida, à sombra.**

A exposição solar direta poderá originar temperaturas demasiado altas no aparelho e períodos mais longos de carregamento da bateria.

É possível montar um tejadilho de sol, disponível como acessório, na unidade de acoplamento. Dessa forma, o robot cortador de relva fica melhor protegido das condições atmosféricas.

– **com visibilidade.**

A unidade de acoplamento deverá ser fácil de detetar no local pretendido, de modo a não dar origem a tropeções.

– **nas proximidades imediatas de uma tomada adequada.**

A ligação à rede deverá estar suficientemente perto da unidade de acoplamento de modo que o respetivo cabo de corrente possa ser ligado tanto à unidade de acoplamento como à ligação à rede – Não modifique o cabo de corrente do transformador. Recomenda-se uma tomada com proteção contra sobretensões.

– **livre de interferências.**

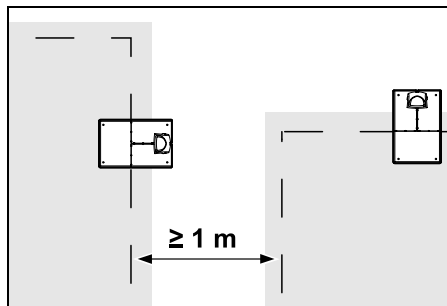
Os metais, óxidos de ferro ou materiais magnéticos ou condutores de eletricidade, bem como as instalações antigas de fio metálico limitador, podem interferir na operação de corte. Recomenda-se a eliminação de interferências.

– **nivelada e plana.**

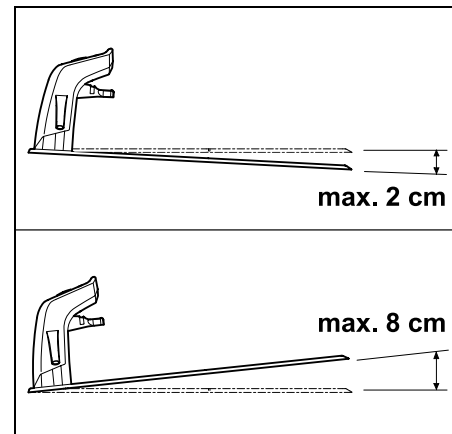
Um solo irregular influencia de forma considerável o acoplamento do robot cortador de relva. Certifique-se de que a parte inferior por baixo da placa de base da unidade de acoplamento está nivelada e não apresenta irregularidades. Se necessário, aplanar ou nivelar o solo.

Medidas preparatórias:

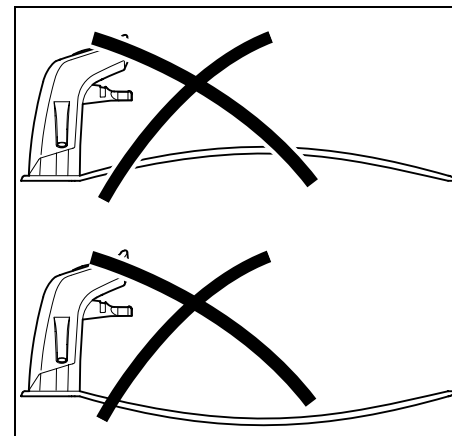
- Corte o relvado com um cortador de relva convencional antes da primeira instalação (altura máxima ideal da relva de 6 cm).
- No caso de um solo duro e seco, regue ligeiramente a superfície a cortar, de modo a facilitar o processo de pregar os pregos de fixação.



Não deve haver sobreposição de superfícies a cortar. Deve existir uma distância mínima de ≥ 1 m entre os fios metálicos limitadores de duas superfícies a cortar.



A unidade de acoplamento pode estar inclinada, no máximo, 8 cm para trás e 2 cm para a frente.

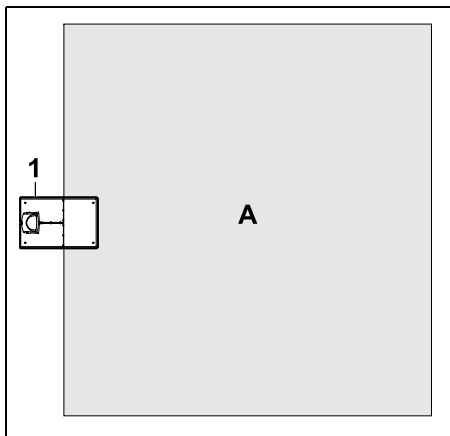


Nunca deforme a placa de base. As irregularidades sob a placa de base deverão ser eliminadas, de modo que possa assentar na totalidade.

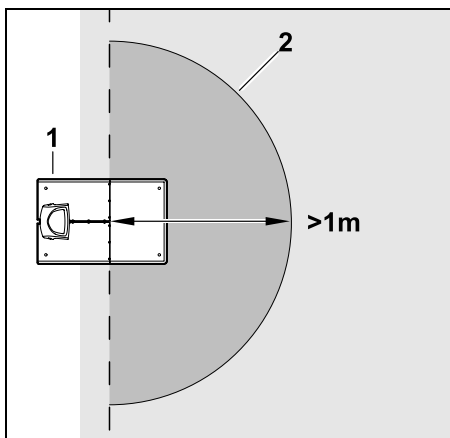
Versões de instalação:

A unidade de acoplamento pode ser instalada interna e externamente.

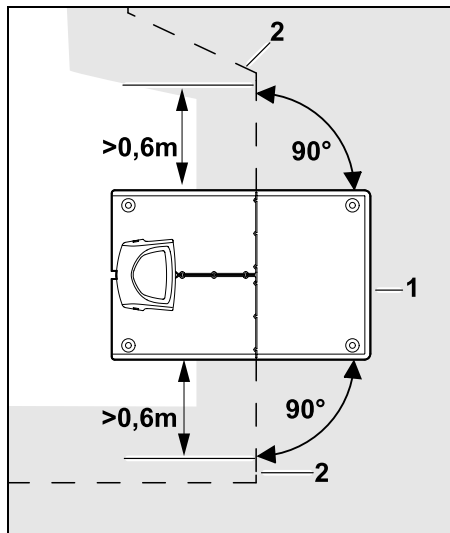
Unidade de acoplamento interna:



A unidade de acoplamento (1) é instalada no interior da superfície a cortar (A), mesmo na margem.

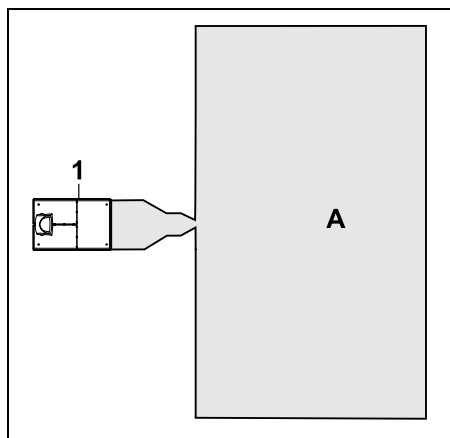


À frente da unidade de acoplamento (1), é necessário que exista uma superfície livre plana (2) com um raio mínimo de 1 m. Elimine elevações ou depressões.



Coloque o fio metálico limitador (2) 0,6 m em linha reta e em ângulo reto relativamente à placa de base antes e depois da unidade de acoplamento (1). Depois, siga a margem da superfície a cortar com o fio metálico limitador.

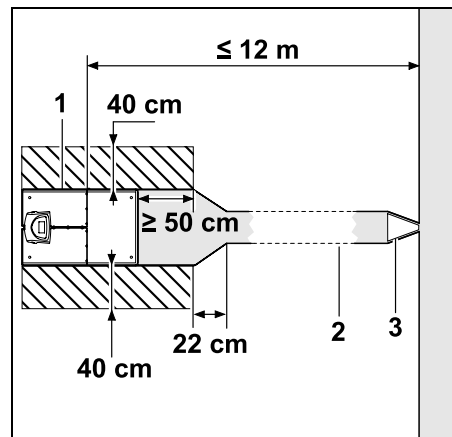
Unidade de acoplamento externa:



A unidade de acoplamento (1) é instalada fora da superfície a cortar (A).

i Em conjunto com uma unidade de acoplamento externa, é necessário instalar **circuitos de procura** para o desvio do caminho de recolha. (⇒ 12.12)

Necessidade de espaço da unidade de acoplamento externa:



É possível instalar a unidade de acoplamento (1) conforme ilustrado, com uma travessa (2), para que o acoplamento e o desacoplamento funcionem corretamente. As áreas em torno da unidade de acoplamento e no exterior do fio metálico limitador têm de ser planas e livremente transitáveis. Elimine elevações ou depressões.

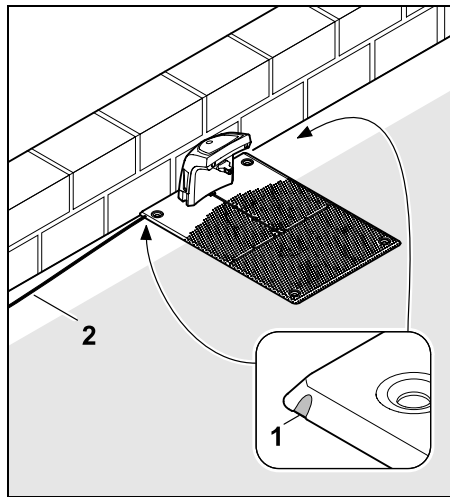
Instale a travessa (2) com a ajuda do modelo das travessas (3). (⇒ 12.11)

Distância mínima da placa de base ao início da travessa: ≥ 50 cm

Largura da superfície livre lateralmente: 40 cm

Distância máxima relativamente à superfície a cortar: ≤ 12 m

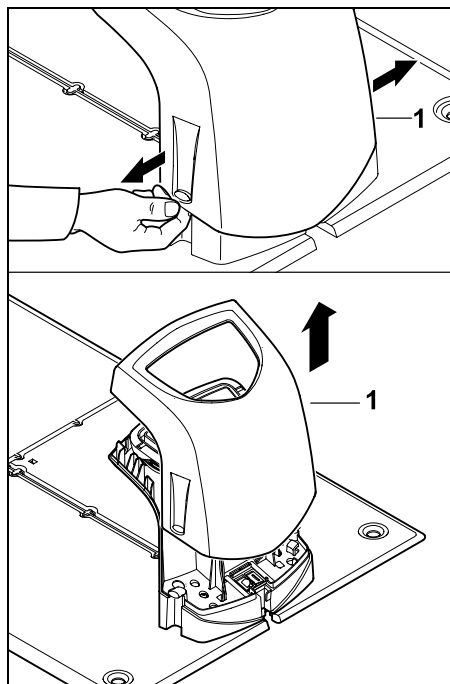
Instalar a unidade de acoplamento numa parede:



Se pretender instalar a unidade de acoplamento numa parede, é necessário abrir um caminho (1) no lado esquerdo ou direito da placa de base com a ajuda de um alicate para criar espaço para o cabo de rede (2).

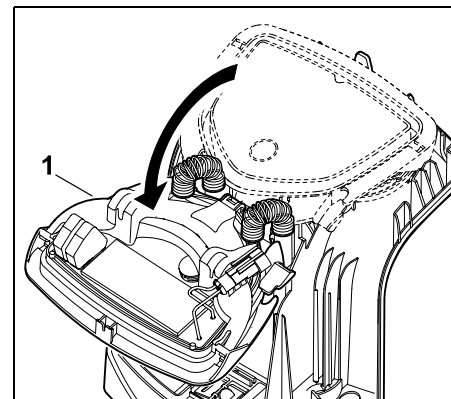
9.2 Ligações da unidade de acoplamento

Remover a cobertura:

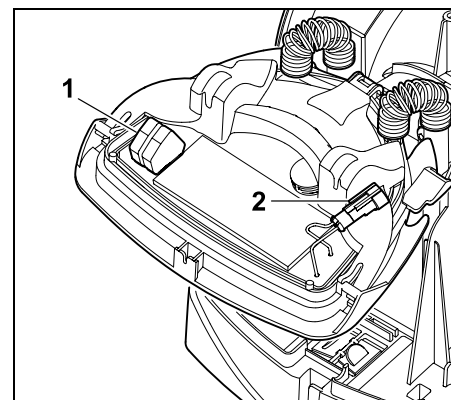


Puxe ligeiramente a cobertura (1) no lado esquerdo e direito conforme ilustrado e remova-a para cima.

Abrir o painel:

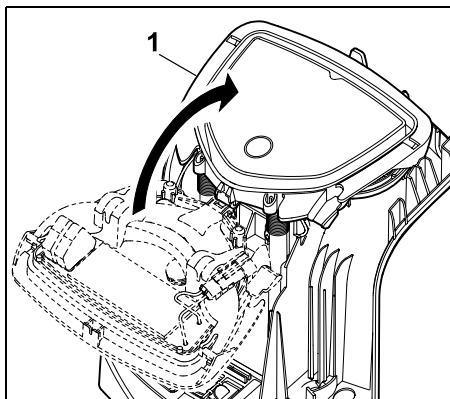


Abra o painel (1) para a frente. Segure o painel na posição aberta, caso contrário, este fechar-se-á automaticamente devido às suas dobradiças de mola.



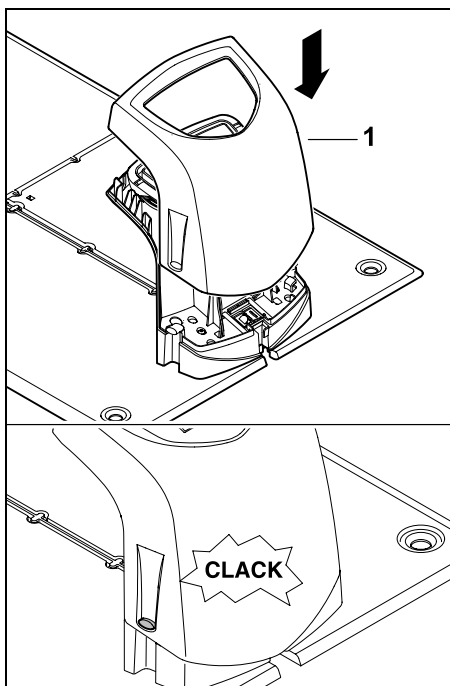
As ligações do fio metálico limitador (1) e do cabo de corrente (2) ficam protegidas das condições atmosféricas quando o painel está fechado.

Fechar o painel:



Feche o painel (1) para trás – não entale nenhum cabo.

Colocar a cobertura:



Coloque a cobertura (1) na unidade de acoplamento e deixe-a engatar – não entale nenhum cabo.

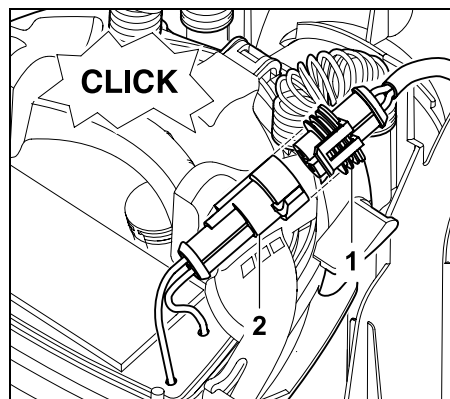
9.3 Ligar o cabo de rede à unidade de acoplamento



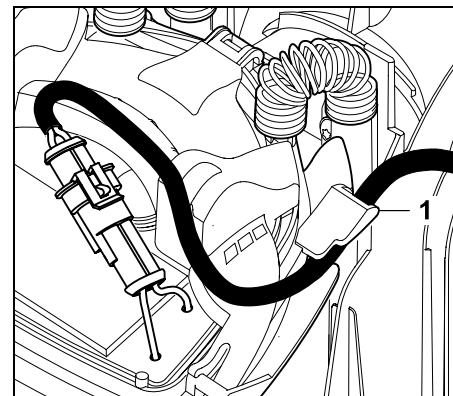
Nota:

A ficha e a tomada devem estar limpas.

- Remova a cobertura da unidade de acoplamento e abra o painel. (⇒ 9.2)

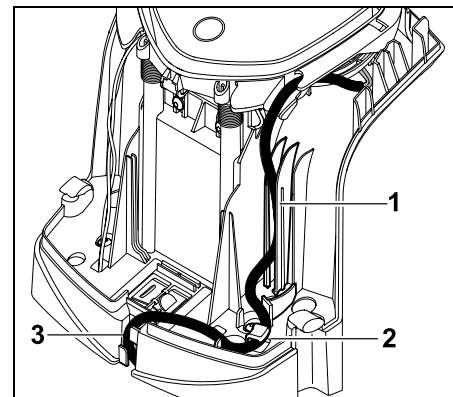


Encaixe a ficha do transformador (1) na ficha da unidade de acoplamento. (2).



Introduza o cabo de corrente através da guia do cabo (1) no painel.

- Feche o painel. (⇒ 9.2)

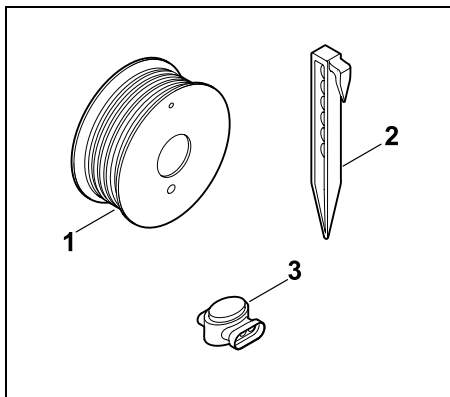


Pressione o cabo de corrente, conforme ilustrado, na guia do cabo (1) através do alívio de tração (2) e do canal do cabo (3) até ao transformador.

- Feche a cobertura da unidade de acoplamento. (⇒ 9.2)

9.4 Material de instalação

Caso o fio metálico limitador não seja colocado pelo distribuidor oficial, será necessário material adicional (não incluído no fornecimento) para poder colocar o robot cortador de relva em funcionamento. (⇒ 18.)



Os kits de instalação incluem fio metálico limitador em rolo (1), pregos de fixação (2) e conectores com fio (3). Os kits de instalação também podem incluir peças adicionais que não são necessárias à instalação.

9.5 Ajustar a altura de corte

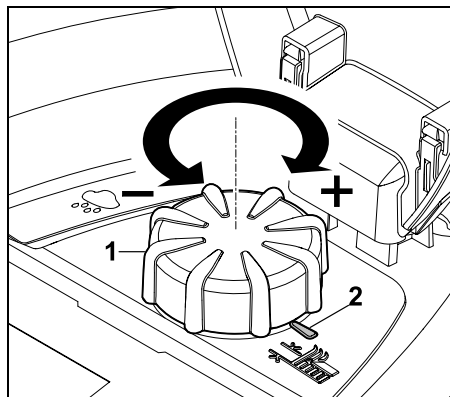
i Nas primeiras semanas, até o fio metálico limitador deixar de estar entre a relva, ajuste a altura de corte pelo menos para o **Nível 4**, de modo a garantir um funcionamento seguro.

Os níveis **S1**, **S2** e **S3** são alturas especiais para relvados muito planos (desníveis < +/- 1 cm).

Altura de corte mais reduzida:
nível S1 (20 mm)

Altura de corte mais elevada:
nível 8 (60 mm)

– Abra a tampa. (⇒ 15.2)



Gire o botão rotativo (1). A marca (2) aponta para a altura de corte ajustada.

i O botão rotativo pode ser removido do elemento de ajuste no sentido ascendente. Esta opção destina-se a garantir a segurança (desta forma, garante-se que o aparelho não é elevado nem transportado pelo botão rotativo) ou a proteção contra uma alteração da altura de corte por pessoas não autorizadas.

9.6 Instruções sobre a primeira instalação

Está disponível um assistente de instalação para a instalação do robot cortador de relva. Este programa orientá-lo-á ao longo de todo o processo da primeira instalação:



- Definir o idioma e acertar a data e a hora

- Instalar a unidade de acoplamento
- Colocar o fio metálico limitador
- Ligar o fio metálico limitador
- Acoplar o robot cortador de relva e a unidade de acoplamento
- Verificar a instalação
- Programar o robot cortador de relva
- Concluir a primeira instalação

O assistente de instalação tem de ser executado até ao fim. Só então o robot cortador de relva estará operacional.

i O assistente de instalação é novamente ativado após uma reposição (reposição das definições de fábrica). (⇒ 11.17)

Medidas preparatórias:

- Corte o relvado com um cortador de relva convencional antes da primeira instalação (altura máxima ideal da relva de 6 cm).
- No caso de um solo duro e seco, regue ligeiramente a superfície a cortar, de modo a facilitar o processo de pregar os pregos de fixação.
- O robot cortador de relva tem de ser ativado pelo distribuidor oficial STIHL, sendo necessário indicar o endereço de e-mail do proprietário. (⇒ 10.)

i Para navegar nos menus, siga as instruções no capítulo "Indicações de comando". (⇒ 11.1)

Com a **cruz de comando**, são selecionadas opções, itens de menu ou botões.

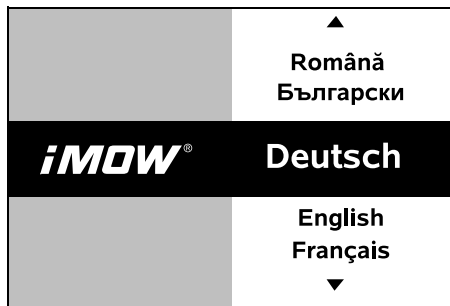
Com o **botão OK**, é aberto um submenu ou confirmada uma seleção. **OK**

Com o **botão Voltar**, é possível sair do menu ativo ou regressar a um passo anterior do assistente de instalação. **↶**

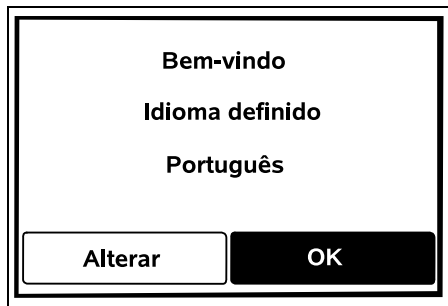
Se se verificarem erros ou avarias durante a primeira instalação, será apresentada uma mensagem correspondente no visor. (⇒ 24.)

9.7 Definir o idioma e acertar a data e a hora

- Premir qualquer botão no visor ativa o aparelho e, por conseguinte, o assistente de instalação.

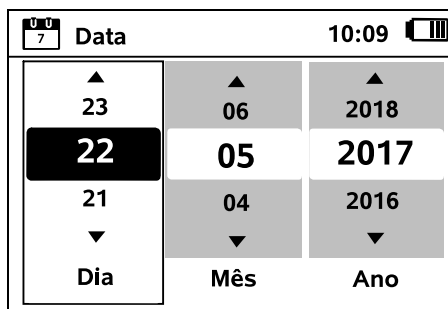


Selecione o idioma pretendido do visor e confirme com o botão OK. **OK**

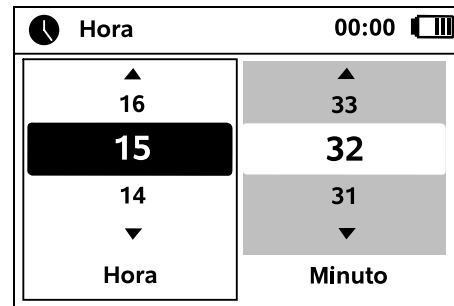


Confirme a seleção do idioma com o botão OK ou selecione "Alterar" e repita a seleção do idioma. **OK**

- Se necessário, introduza o número de série de 9 algarismos do robot cortador de relva. Este número está impresso na placa de identificação (consulte a descrição do aparelho). (⇒ 3.)



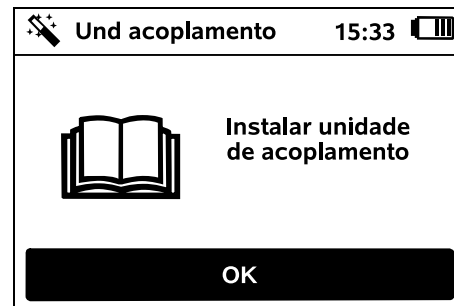
Acerte a data atual com o auxílio da cruz de comando e confirme com o botão OK. **OK**



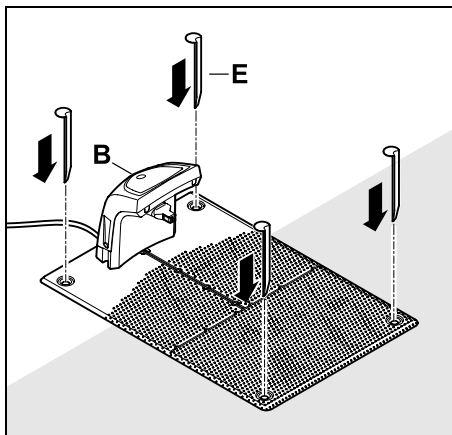
Acerte a hora atual com o auxílio da cruz de comando e confirme com o botão OK. **OK**

9.8 Instalar a unidade de acoplamento

i Observe o capítulo "Indicações para a unidade de acoplamento" (⇒ 9.1) e os exemplos de instalação (⇒ 27.) neste manual de utilização.



- Retire o cabo de corrente da unidade de acoplamento. (⇒ 9.3)
- Se instalar a unidade de acoplamento numa parede, coloque o cabo de corrente sob a placa de base. (⇒ 9.1)



i Nota:
 Pregue as estacas no solo de modo a não enviesar a placa de base da unidade de acoplamento.

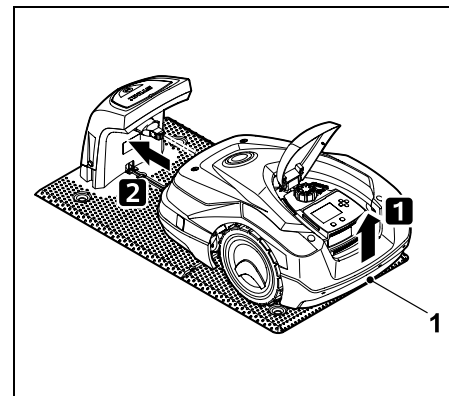
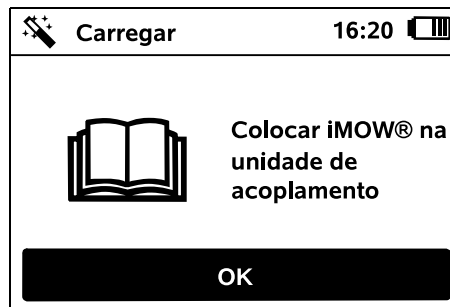
Fixe a unidade de acoplamento (B) no local pretendido com quatro estacas (E).

- Instale o transformador no exterior da superfície a cortar, protegido da exposição solar direta e da humidade. Se necessário, fixe-o a uma parede.
- ! Só registará um funcionamento correto do transformador a uma **temperatura ambiente** entre **0 °C** e **40 °C**.
- Coloque todos os cabos de corrente no exterior da superfície a cortar, em particular fora do alcance da lâmina de corte, e fixe-os no solo ou arrume-os num canal do cabo.
- Estenda o cabo de corrente pela área circundante da unidade de acoplamento, de modo a evitar interferências no sinal de fio.
- Encaixe a ficha de rede.

i Na unidade de acoplamento, o LED vermelho piscará rapidamente enquanto não estiver ligado qualquer fio metálico limitador. (⇒ 13.1)

- Após a conclusão dos trabalhos, prima o botão OK. **OK**

i Numa unidade de acoplamento externa:
 Após a conclusão da primeira instalação, determine, pelo menos, um ponto inicial no exterior da travessa em direção à unidade de acoplamento. Defina a frequência inicial de modo que sejam iniciados 0 de 10 processos de corte (0/10) na unidade de acoplamento (ponto inicial 0). (⇒ 11.14)



Levante ligeiramente o robot cortador de relva pela pega de transporte (1) de modo a aliviar as rodas de acionamento. Empurre o aparelho até à unidade de acoplamento apoiado nas rodas dianteiras.

Em seguida, prima o botão OK no visor. **OK**

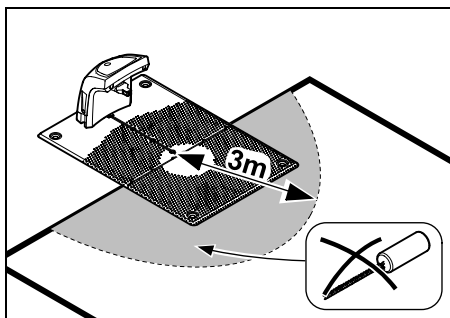
i Caso a bateria esteja descarregada, será apresentado no canto superior direito do visor o símbolo de uma ficha de rede em vez do símbolo da bateria após o acoplamento e a bateria é carregada enquanto o fio metálico limitador é colocado. (⇒ 15.7)

9.9 Colocar o fio metálico limitador

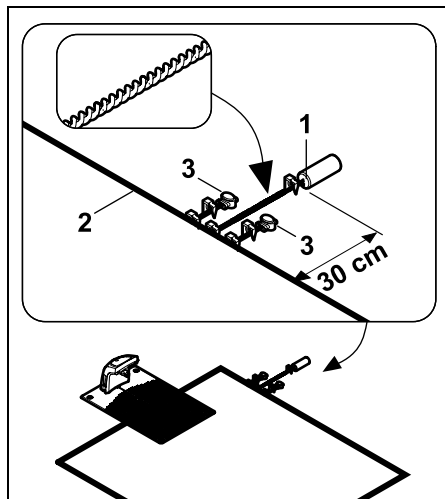
i Antes de colocar o fio, leia e observe todo o capítulo "Fio metálico limitador". (⇒ 12.)

Planeie a colocação específica, respeite as **distâncias do fio** e instale as **superfícies de bloqueio**, as **reservas de fio**, os **trajetos de ligação**, as **superfícies circundantes** e as **travessas** durante a colocação.

Em superfícies a cortar mais pequenas, com menos de 80 m de comprimento de fio, é necessário instalar o **AKM 100** fornecido em conjunto com o fio metálico limitador. Quando o comprimento do fio é demasiado curto, a unidade de acoplamento pisca intermitentemente um sinal de SOS e não é emitido nenhum sinal de fio.



Instale o AKM 100 com uma distância mínima de 3 m da unidade de acoplamento.



Com um prego de fixação, fixe o AKM 100 (1) a uma distância de 30 cm fora da superfície a cortar. Entrelace as extremidades do fio até à superfície a cortar e fixe-as com um prego de fixação.

Corte o fio metálico limitador (2) e ligue as extremidades com conectores com fio (3) às extremidades do fio metálico limitador do AKM 100 (⇒ 12.16). Fixe peças de junção nos lados esquerdo e direito com pregos de fixação, conforme ilustrado.

i Utilize apenas pregos de fixação originais e um fio metálico limitador original. Os kits de instalação com o devido material de instalação estão disponíveis como acessórios no distribuidor oficial STIHL. (⇒ 18.)

Trace a colocação do fio no desenho do jardim. Conteúdo do esboço:

- **Contorno da superfície a cortar** com obstáculos relevantes, limites e possíveis superfícies de bloqueio nas quais o robot cortador de relva não possa trabalhar. (⇒ 27.)
- Posição da **unidade de acoplamento** (⇒ 9.1)
- Posição do **fio metálico limitador**
O fio metálico limitador penetra no solo ao fim de pouco tempo e não volta a ser visto. Registe em particular a colocação do fio à volta de obstáculos.
- Posição do **conector com fio**
Os conectores com fio utilizados deixarão de ser vistos ao fim de pouco tempo. A posição destes conectores deverá ser registada, de modo a permitir a respetiva substituição, se necessário. (⇒ 12.16)

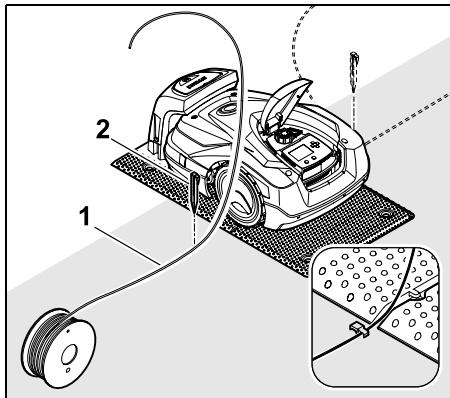
O fio metálico limitador tem de ser colocado num circuito contínuo em torno de toda a superfície a cortar.
Comprimento máximo: **500 m**

i O robot cortador de relva não deve ficar afastado do fio metálico limitador em nenhum ponto mais 17 m. Caso contrário, o sinal do fio deixará de ser detetável.

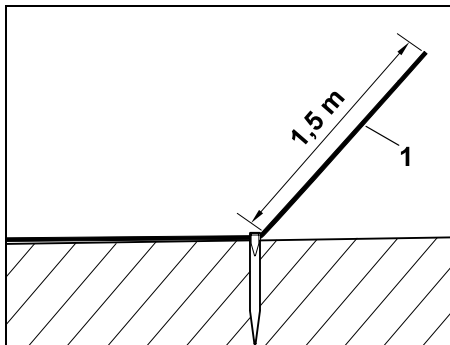
	Delimitação	15:40	
	Colocar o fio		
OK			

Coloque o fio metálico limitador a partir da unidade de acoplamento. Há que fazer a distinção entre uma **Unidade de acoplamento interna** e uma **Unidade de acoplamento externa**.

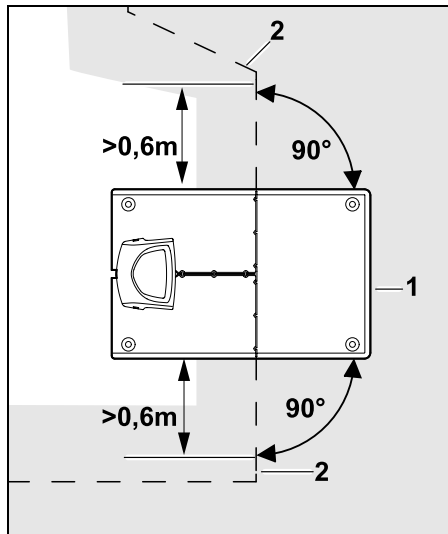
Início com uma unidade de acoplamento interna:



Fixe o fio metálico limitador (1) à **esquerda** ou à **direita** no solo, ao lado da placa de base, imediatamente junto a uma saída do fio, com um prego de fixação (2).



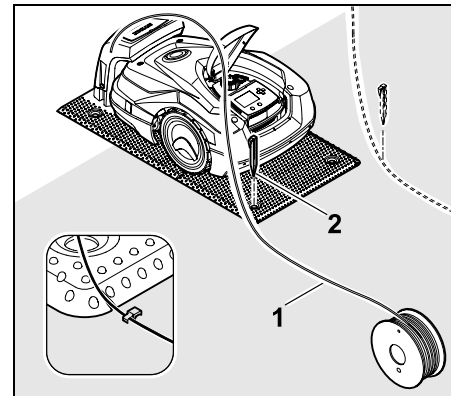
Deixe uma extremidade livre do fio (1) com aproximadamente **1,5 m** de comprimento.



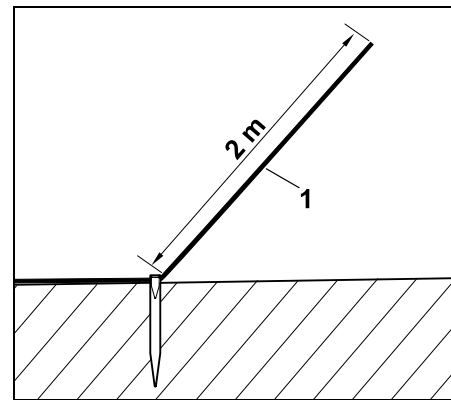
Coloque o fio metálico limitador (2) **0,6 m** em linha reta e em ângulo reto relativamente à placa de base antes e depois da unidade de acoplamento (1). Depois, siga a margem da superfície a cortar com o fio metálico limitador.

i Se o desvio do regresso (corredor) for utilizado, será necessário colocar o fio metálico limitador, pelo menos, **1,5 m** em linha reta e em ângulo reto relativamente à placa de base antes e depois da unidade de acoplamento. (⇒ 11.13)

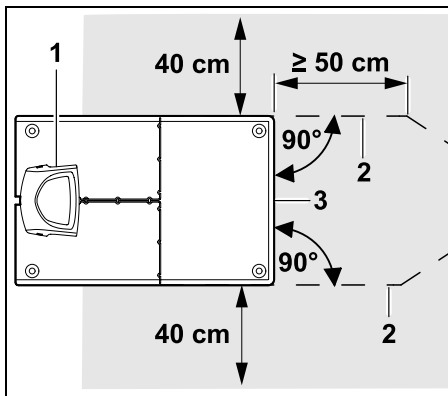
Início com uma unidade de acoplamento externa:



Fixe o fio metálico limitador (1) à **esquerda** ou à **direita** no solo, por trás da placa de base, imediatamente junto a uma saída do fio, com um prego de fixação (2).



Deixe uma extremidade livre do fio (1) com aproximadamente **2 m** de comprimento.

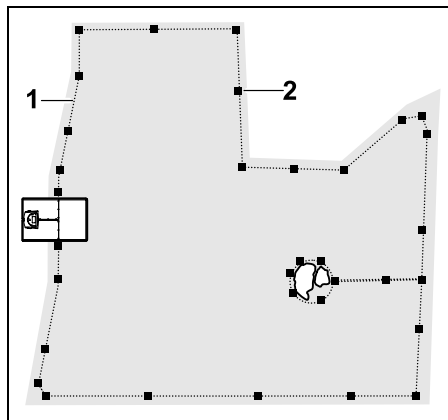


Antes ou depois da unidade de acoplamento (1), coloque o fio metálico limitador (2) com a distância de 50 cm em ângulo reto relativamente à placa de base. Em seguida, é possível instalar uma travessa (⇒ 12.11) ou seguir a margem da superfície a cortar com o fio metálico limitador.

É necessário que exista uma superfície com uma largura mínima de 40 cm livremente transitável ao lado da placa de base (3).

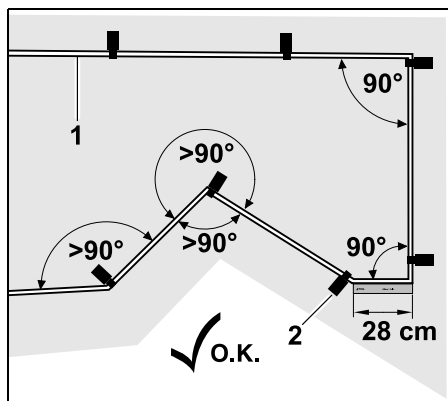
i São apresentadas mais informações sobre a instalação da unidade de acoplamento externa no capítulo Exemplos de instalação. (⇒ 27.)

Colocação do fio na superfície a cortar:



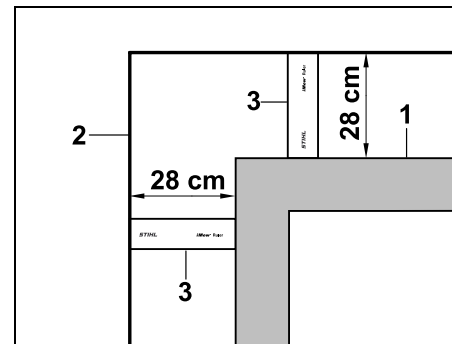
Coloque o fio metálico limitador (1) em torno da superfície a cortar e em torno de obstáculos eventualmente existentes (⇒ 12.9) e fixe-o no solo com pregos de fixação (2). Verifique as distâncias com o auxílio da régua iMOW®. (⇒ 12.5)

i O robot cortador de relva não deve ficar afastado do fio metálico limitador em nenhum ponto mais 17 m. Caso contrário, o sinal do fio deixará de ser detetável.



A colocação em ângulos agudos (inferiores a 90°) deverá ser evitada. Em cantos pontiagudos do relvado, fixe o fio metálico limitador (1) no solo com pregos de fixação (2), conforme ilustrado. (⇒ 12.6)

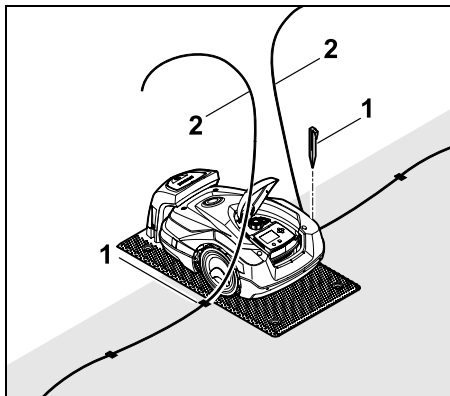
Depois de um canto de 90°, deve ser colocado, pelo menos, o comprimento de uma régua iMOW® antes de ser instalado o canto seguinte.



Durante a colocação em torno de obstáculos altos, tais como cantos de paredes ou canteiros altos (1), é necessário manter a distância do fio nos cantos, de modo que o robot cortador de relva não raspe no obstáculo. Coloque o fio metálico limitador (2) com o auxílio da régua iMOW® (3) conforme ilustrado.

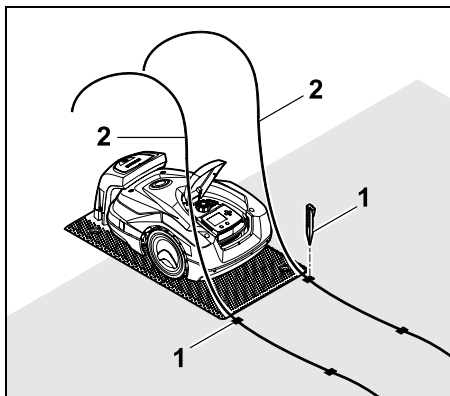
- Se necessário, prolongue o fio metálico limitador com os conectores com fio fornecidos. (⇒ 12.16)
- Caso existam várias superfícies a cortar ligadas entre si, instale superfícies circundantes (⇒ 12.10) ou ligue as superfícies a cortar com travessas. (⇒ 12.8)

Último prego de fixação na unidade de acoplamento interna:



Pregue o último prego de fixação (1) à esquerda ou à direita perto da placa de base, imediatamente junto à saída do fio. Recorte o fio metálico limitador (2), com aproximadamente 1,5 m de comprimento.

Último prego de fixação na unidade de acoplamento externa:



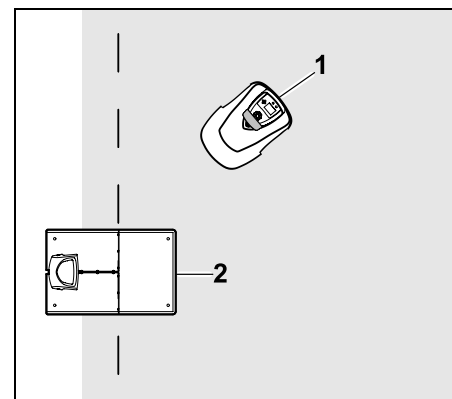
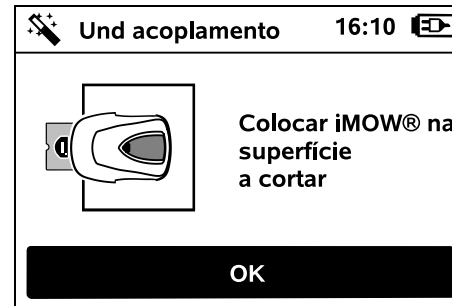
Pregue o último prego de fixação (1) à esquerda ou à direita por trás da placa de base, imediatamente junto à saída do fio. Recorte o fio metálico limitador (2), com aproximadamente 2 m de comprimento.

Conclusão da colocação do fio:

- Verifique a fixação do fio metálico limitador no solo. Como valor de referência, um prego de fixação por metro é suficiente. O fio metálico limitador tem de assentar sempre no relvado. Pregue o prego de fixação até ao fim. **OK**
- Após a conclusão dos trabalhos, prima o botão OK.

! Caso a carga da bateria seja insuficiente para processar os restantes passos do assistente de instalação, será apresentada uma mensagem correspondente. Neste caso, deixe o robot cortador de relva na unidade de acoplamento principal e continue a carregar a bateria. O avanço para o passo seguinte do assistente de instalação com o botão OK só é possível quando a tensão necessária da bateria é atingida. **OK**

9.10 Ligar o fio metálico limitador

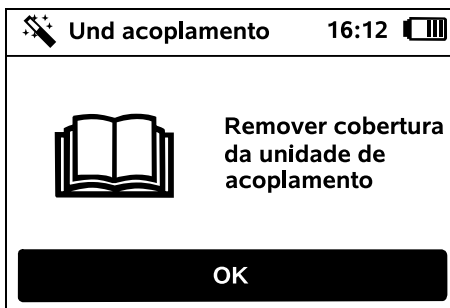


Coloque o robot cortador de relva (1) atrás da unidade de acoplamento (2) dentro da superfície a cortar conforme ilustrado e, em seguida, prima o botão OK. **OK**



Desligue a ficha do transformador da corrente e, em seguida, prima o botão OK.

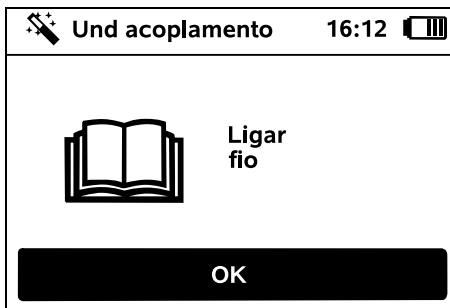
OK



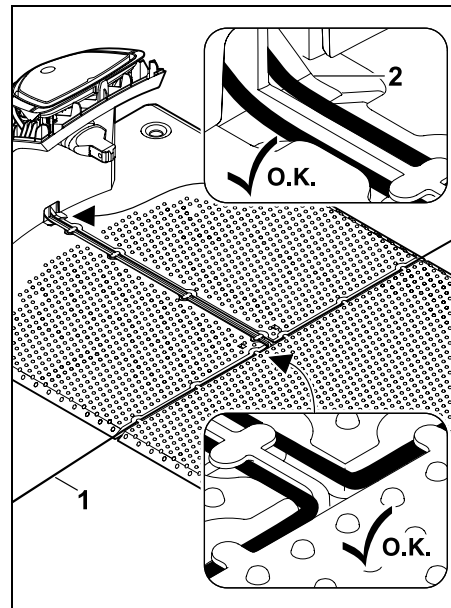
Remova a cobertura. (⇒ 9.2)

Prima o botão OK.

OK

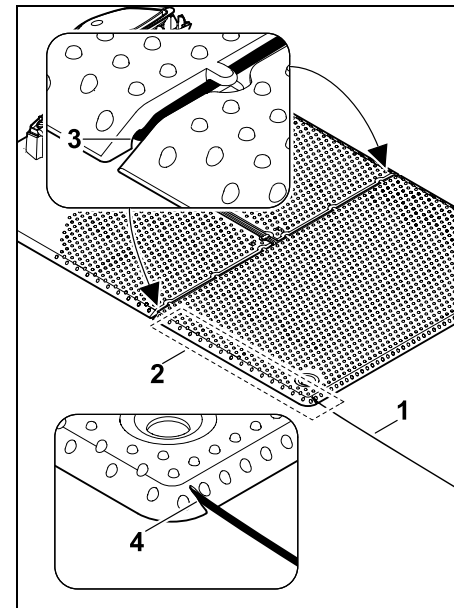


Fio metálico limitador numa unidade de acoplamento interna:

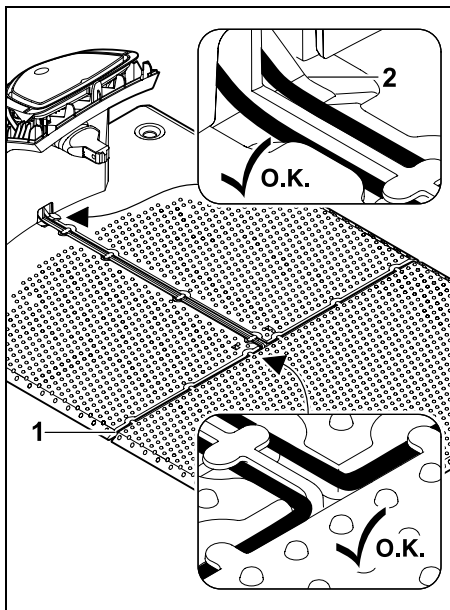


Coloque o fio metálico limitador (1) em guias de cabo da placa de base e enfie-o pela base (2).

Fio metálico limitador numa unidade de acoplamento externa:



Coloque o fio metálico limitador (1) na área (2) sob a placa de base. Para o fazer, enfie o fio nas saídas do fio (3, 4) e, se necessário, solte as estacas.

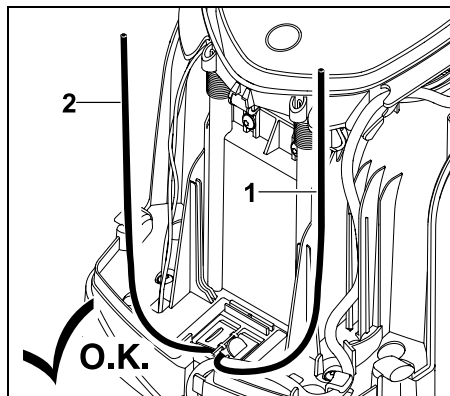


Coloque o fio metálico limitador (1) em guias de cabo da placa de base e enfie-o pela base (2).

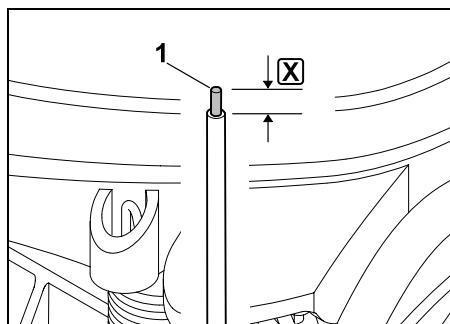
Ligar o fio metálico limitador:



Nota: Verifique se os contactos estão limpos (não estão corroídos, sujos, etc.).

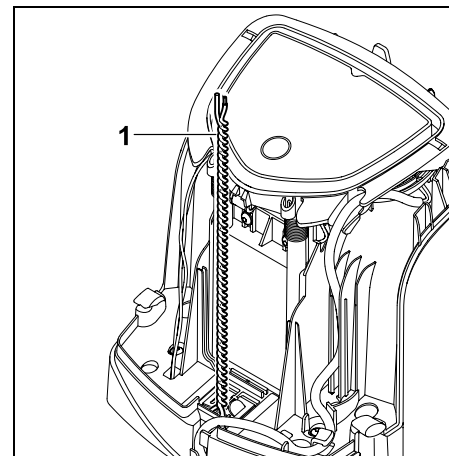


Encurte a extremidade do fio esquerda (1) e a extremidade do fio direita (2) para que fiquem com o mesmo comprimento. Comprimento da saída do fio até à extremidade do fio: **40 cm**



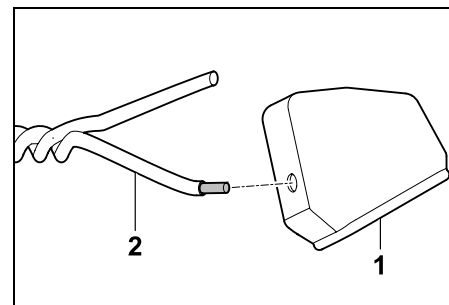
Descarne a extremidade do fio esquerda (1) com uma ferramenta adequada até ao comprimento indicado e entrelace a trança do fio.

= 10-12 mm

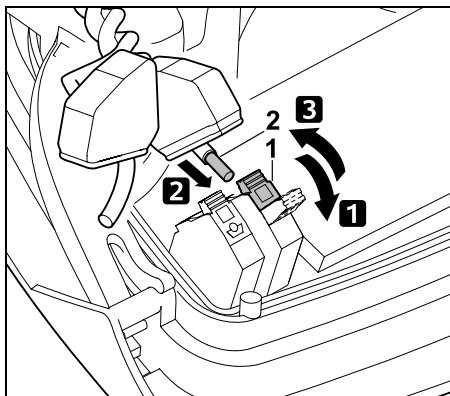


Entrelace as extremidades do fio livres (1) conforme ilustrado.

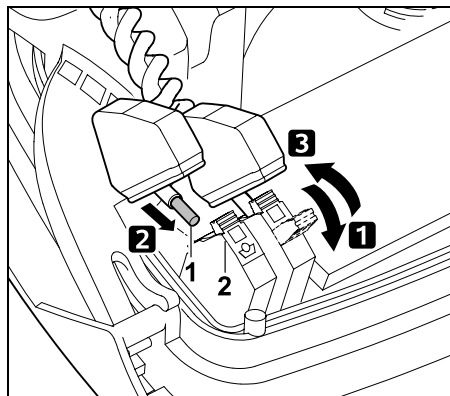
- Abra e segure o painel. (⇒ 9.2)



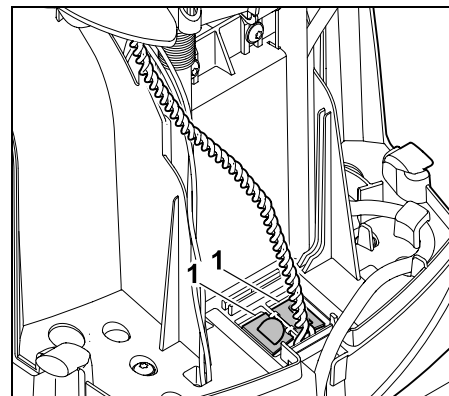
Encaixe uma bucha (1) em ambas as extremidades do fio (2).



- 1** Abra a alavanca de fixação esquerda (1).
- 2** Insira a extremidade descarnada (2) no bloco de terminais até ao encosto.
- 3** Feche a alavanca de fixação (1).

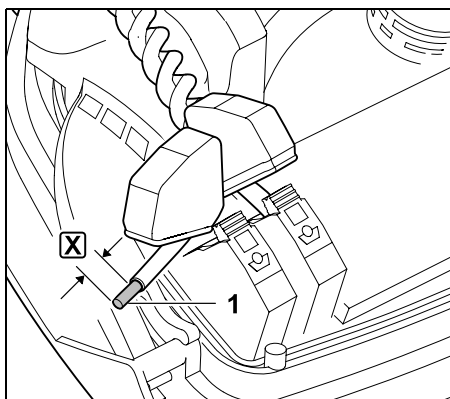


- 1** Abra a alavanca de fixação direita (1).
- 2** Insira a extremidade descarnada (2) no bloco de terminais até ao encosto.
- 3** Feche a alavanca de fixação (1).



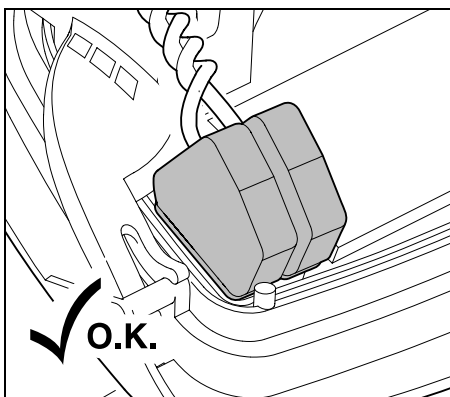
Feche as coberturas do canal do cabo (1).

- Após a conclusão dos trabalhos, prima o botão OK.



Descarne a extremidade do fio direita (1) com uma ferramenta adequada até ao comprimento indicado **X** e entrelace a trança do fio.

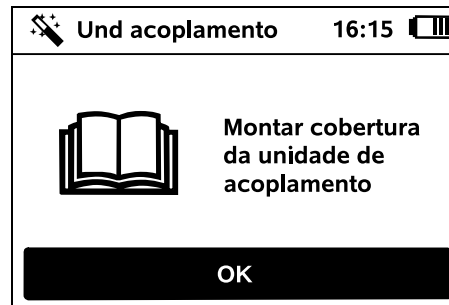
X = 10-12 mm



Passa as buchas sobre os blocos de terminais.

Colocação das extremidades do fio no bloco de terminais: ambas as extremidades do fio devem estar bem fixas.

- Feche o painel. (⇒ 9.2)

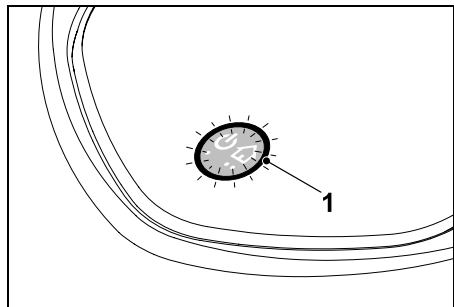


Monte a cobertura. (⇒ 9.2)


Prima o botão OK.

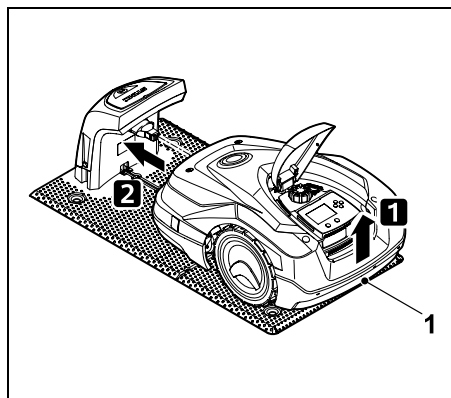
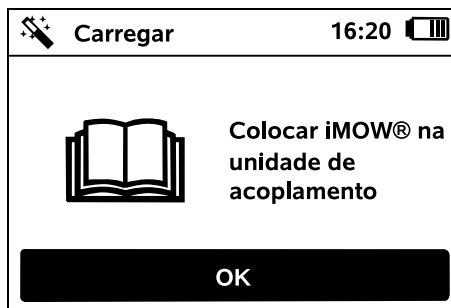


Ligue a ficha do transformador à corrente e, em seguida, prima o botão OK.



Se o fio metálico limitador for corretamente montado e a unidade de acoplamento estiver ligada à corrente, o LED (1) acender-se-á.


 Siga o capítulo "Elementos de comando da unidade de acoplamento", em particular se o LED não acender conforme descrito. (⇒ 9.2)



Levante ligeiramente o robot cortador de relva pela pega de transporte (1) de modo a aliviar as rodas de acionamento. Empurre o aparelho até à unidade de acoplamento apoiado nas rodas dianteiras.


Em seguida, prima o botão OK no visor.

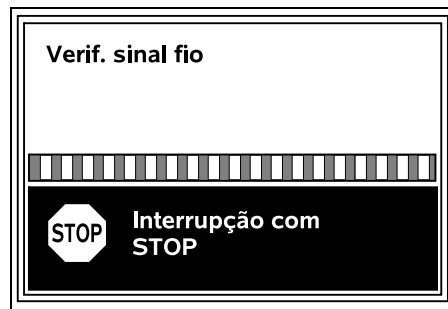


 Caso a bateria esteja descarregada, será apresentado no canto superior direito do visor o símbolo de uma ficha de rede em vez do símbolo da bateria após o acoplamento e a bateria é carregada enquanto o fio metálico limitador é colocado. (⇒ 15.7)



9.11 Acoplar o robot cortador de relva e a unidade de acoplamento

 O robot cortador de relva só pode ser colocado em funcionamento se receber corretamente o sinal de fio emitido pela unidade de acoplamento. (⇒ 11.16)



A verificação do sinal de fio poderá demorar alguns minutos. O acoplamento é interrompido com o botão STOP vermelho na parte superior do aparelho, sendo chamado o passo anterior do assistente de instalação.

Receção normal



Sinal de fio OK:

É apresentado no visor o texto "Sinal de fio OK". O robot cortador de relva e a unidade de acoplamento estão corretamente acoplados.



Prossiga com a primeira instalação premindo o botão OK.



Depois de o acoplamento ter sido efetuado com êxito, o modo de energia "Padrão" é ativado. (⇒ 11.10)

Receção com interferências

O robot cortador de relva está **sem sinal de fio:**

É apresentado no visor o texto "Sem sinal de fio".



O robot cortador de relva recebe um **sinal de fio com interferências:**

É apresentado no visor o texto "Verif. sinal fio".



O robot cortador de relva recebe um **sinal de fio com polaridade invertida:**

É apresentado no visor o texto "Ligações trocadas ou iMOW® fora".



Possível causa:

- Avaria temporária
- O robot cortador de relva não está acoplado
- Fio metálico limitador ligado com polaridade invertida (lado invertido)
- A unidade de acoplamento está desligada ou não está ligada à corrente
- Conectores deficientes
- Comprimento mínimo do fio metálico limitador não alcançado

- Um cabo de rede enrolado na área circundante da unidade de acoplamento
- Extremidades do fio metálico limitador demasiado compridas ou não bem entrançadas
- Quebra do fio metálico limitador
- Sinais externos como, por exemplo, um telemóvel ou o sinal de uma outra unidade de acoplamento
- Cabo de terra com tensão, betão armado ou a presença de metais no solo por baixo da unidade de acoplamento que causem interferências
- Comprimento máximo do fio metálico limitador excedido (⇒ 12.1)

Solução:

- Repetir o acoplamento sem qualquer ação corretiva
- Acoplar o robot cortador de relva (⇒ 15.6)
- Ligar corretamente as extremidades do fio metálico limitador (⇒ 9.10)
- Verificar a ligação à rede da unidade de acoplamento, desenrolar o cabo de rede na área circundante à unidade de acoplamento, não colocar o cabo enrolado
- Verificar o assentamento das extremidades do fio no bloco de terminais, encurtar as extremidades do fio demasiado longas ou entrelaçar as extremidades do fio (⇒ 9.10)
- Em superfícies a cortar mais pequenas, com menos de 80 m de comprimento de fio, é necessário instalar o AKM 100 fornecido em conjunto com o fio metálico limitador (⇒ 9.9)

- Verificar o indicador LED da unidade de acoplamento (⇒ 13.1)
- Reparar a quebra do fio
- Desligar telemóveis ou unidades de acoplamento contíguas
- Alterar a posição da unidade de acoplamento ou remover as origens das interferências sob a unidade de acoplamento
- Utilizar o fio metálico limitador com uma secção transversal maior (acessório especial)

Após a correspondente ação corretiva, repita o acoplamento premindo o botão OK.



Se não for possível receber corretamente o sinal de fio e as medidas descritas não oferecerem qualquer solução, contacte um distribuidor oficial.

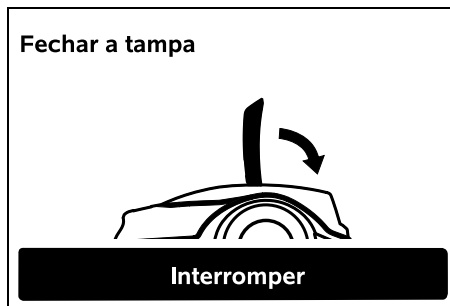
9.12 Verificar a instalação



Inicie o percurso na margem premindo o botão OK. A lâmina de corte não é ativada.



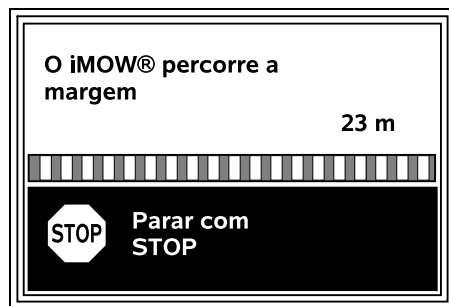
i Após a primeira instalação, o robot cortador de relva percorre a margem da superfície a cortar alternadamente em ambos os sentidos no modo de funcionamento. Como tal, o percurso na margem deverá ser igualmente verificado em ambos os sentidos durante a primeira instalação.



Feche a tampa do robot cortador de relva. (⇒ 15.2) O robot cortador de relva só arranca automaticamente e circula ao longo do fio metálico limitador com a tampa fechada.

i Com o percurso na margem, é definido o **ponto de recolha** do robot cortador de relva. (⇒ 14.5)

Se o robot cortador de relva não receber sinal GPS antes do início do percurso na margem, é apresentado o texto "Manutenção no GPS" no visor. Mesmo que não haja receção de sinal GPS, o robot cortador de relva irá iniciar o percurso na margem após alguns minutos. Posteriormente, é necessário executar a função "Testar margem" (⇒ 11.13) para poder utilizar a proteção GPS. Caso contrário, não é definido o ponto de recolha.



Durante o percurso na margem, mantenha-se atrás do robot cortador de relva e certifique-se de que:

- o robot cortador de relva percorre a margem da superfície a cortar conforme planeado,
- a distância para os obstáculos e para os limites da superfície a cortar estão corretos,
- o acoplamento e o desacoplamento funcionam corretamente.

A distância percorrida é apresentada no visor. Esta indicação em metros é necessária para definir os **pontos iniciais** na margem da superfície a cortar. (⇒ 11.14)

- Leia e anote o valor apresentado no local pretendido. O ponto inicial deve ser definido manualmente depois da primeira instalação.

O percurso na margem é interrompido automaticamente por obstáculos ou por percorrer declives com uma inclinação excessiva, ou manualmente premindo o botão STOP.

- Se o percurso na margem tiver sido interrompido automaticamente, corrija a posição do fio metálico limitador ou remova os obstáculos.
- Antes de prosseguir com o percurso na margem, verifique a posição do robot cortador de relva. O aparelho tem de estar sobre o fio metálico limitador ou no interior da superfície a cortar com a parte dianteira na direção do fio metálico limitador.

Proseguir após interrupção:

Após uma interrupção, prossiga o percurso na margem com **OK**.

i A STIHL recomenda que não interrompa o percurso na margem. Poderá não ser possível detetar eventuais problemas ao percorrer a margem da superfície a cortar ou ao acoplar.

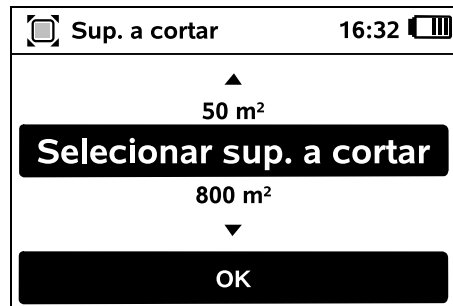
Se necessário, o percurso na margem poderá ser realizado novamente após a primeira instalação. (⇒ 11.13)

O robot cortador de relva é acoplado após uma volta completa em torno da superfície a cortar. Em seguida, é perguntado se pretende realizar uma segunda volta no sentido contrário.

Conclusão automática do percurso na margem:


Com o acoplamento após a segunda volta completa ou a recusa do percurso na margem no sentido contrário, é chamado o passo seguinte do assistente de instalação.

9.13 Programar o robot cortador de relva



Introduza a dimensão do relvado e confirme com OK.

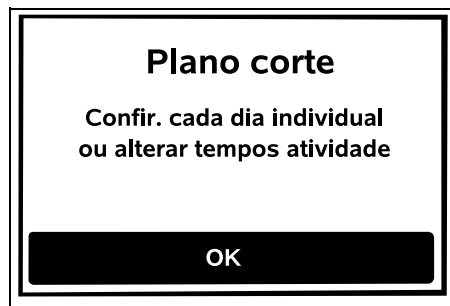


 As superfícies de bloqueio ou superfícies circundantes instaladas não deverão ser incluídas no cálculo da dimensão da superfície a cortar.

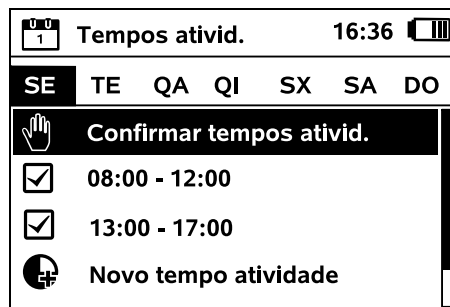


Está a ser calculado um novo plano de corte.

O processo pode ser interrompido com o botão STOP vermelho na parte superior do aparelho.



Confirme a indicação "Confir. cada dia individual ou alterar tempos atividade" premindo o botão OK.




Os tempos de atividade de segunda-feira são apresentados e o item de menu **Confirmar tempos ativid.** é ativado.



Ao premir OK, todos os tempos de atividade são confirmados, sendo apresentado o dia seguinte.



 No caso de pequenas superfícies a cortar, nem todos os dias da semana são utilizados para cortar a relva. Neste caso, não são indicados quaisquer tempos de atividade, sendo suprimido o item de menu "Apagar todos tempos atv.". Os dias sem tempos de atividade deverão ser igualmente confirmados com OK.

Os **tempos de atividade** apresentados podem ser alterados. Para tal, selecione o intervalo de tempo pretendido com a cruz de comando e abra-o com OK. (⇒ 14.3)

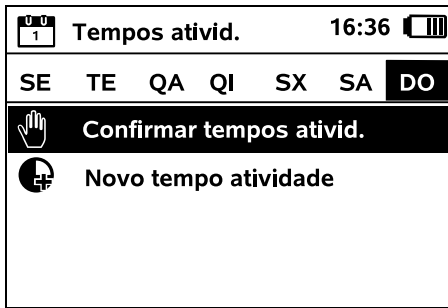


Se pretender tempos de atividade adicionais, escolha o item de menu **Novo tempo atividade** e abra com OK. Na janela de seleção, determine a hora de início e o momento final do novo tempo de atividade e confirme com OK. São possíveis até três tempos de atividade por dia.

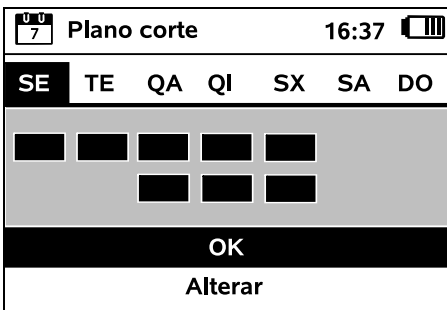


Se pretender eliminar todos os tempos de atividade apresentados, escolha o item de menu **Apagar todos tempos atv.** e confirme com OK.





O plano de corte é apresentado após a confirmação dos tempos de atividade de domingo.



O plano de corte apresentado é confirmado com OK, sendo chamado o passo final do assistente de instalação.



Se for necessário efetuar alterações, selecione **Alterar** e adapte cada tempo de atividade.



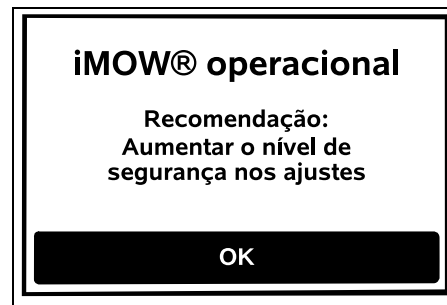
Terceiros têm de se manter afastados da zona de risco durante os tempos de atividade. Os tempos de atividade deverão ser adaptados em conformidade. Respeite igualmente a legislação municipal vigente relativa a robots cortadores de relva e as indicações do capítulo "Para sua segurança" e altere os tempos de atividade imediatamente ou após a conclusão da primeira instalação, se necessário, no menu "Plano corte" (⇒ 6.) e altere os tempos de atividade imediatamente ou após a conclusão da primeira instalação, se necessário, no menu "Plano corte". (⇒ 11.7)

Deverá informar-se em particular junto das autoridades competentes sobre as horas diurnas e noturnas em que o aparelho poderá ser utilizado.

9.14 Concluir a primeira instalação



Remova todos os objetos estranhos (por exemplo, brinquedos, ferramentas) da superfície a cortar.



Conclua a primeira instalação premindo o botão OK.



Após a primeira instalação, é ativado o nível de segurança "Nenhuma".

Recomendação:

Defina o nível de segurança "Reduzida", "Média" ou "Elevada". Dessa forma, garante-se que pessoas não autorizadas serão incapazes de alterar ajustes e que o robot cortador de relva não poderá funcionar com outras unidades de acoplamento.

(⇒ 11.16)

Ative também a proteção GPS. (⇒ 5.9)



Para que todas as funções do robot cortador de relva possam ser utilizadas, é necessário instalar e iniciar a **aplicação iMOW®** num smartphone ou num tablet com ligação à Internet e recetor GPS. (⇒ 10.)

Feche a caixa de diálogo com o botão OK.



9.15 Primeiro processo de corte após a primeira instalação

Se a conclusão da primeira instalação coincidir com um tempo de atividade, o robot cortador de relva começará imediatamente a processar a superfície a cortar.




Se a conclusão da primeira instalação ocorrer fora do tempo de atividade, será possível iniciar um processo de corte premindo o botão OK. Se não pretender que o robot cortador de relva corte a relva, selecione "Não".



10. Aplicação iMOW®

O robot cortador de relva pode ser utilizado com a **aplicação iMOW®**. A aplicação é disponibilizada nos principais sistemas operativos disponíveis na respetiva loja de aplicações.

 Poderá encontrar informações mais pormenorizadas na página da internet web.imow.stihl.com/systems/.



As indicações incluídas no capítulo "Para sua segurança" são válidas para todos os utilizadores da **aplicação iMOW®**. (⇒ 6.)

Ativação:

Para que possa existir troca de dados entre a aplicação e o robot cortador de relva, é necessário que o distribuidor oficial ative o aparelho em conjunto com o endereço de e-mail do proprietário. É enviada uma hiperligação para o endereço de e-mail para efetuar a ativação.

A **aplicação iMOW®** deve ser instalada num smartphone ou tablet com ligação à internet e um recetor GPS. O recetor do e-mail é definido como administrador e principal utilizador da aplicação, tendo total acesso a todas as funções.



O endereço de e-mail e a palavra-passe devem ser guardados em segurança de modo a ser possível instalar novamente a **aplicação iMOW®** após trocar de smartphone ou tablet (por exemplo, se perder o dispositivo móvel).

Comunicação de dados:

A transmissão de dados do robot cortador de relva pela internet (serviço M2M) está incluída no preço de compra.

A transmissão de dados não é permanente e poderá durar alguns minutos.

A transmissão de dados da aplicação através da internet poderá acarretar custos decorrentes do contrato com a operadora de serviços móveis ou com o fornecedor de serviços de internet que serão da sua inteira responsabilidade.



Sem uma ligação móvel e sem a aplicação, a proteção GPS só está disponível sem a comunicação por SMS e e-mail e sem mensagens Push.

Principais funções da aplicação:

- Consultar e processar o plano de corte
- Iniciar o corte
- Ligar e desligar o modo automático
- Enviar o robot cortador de relva para a unidade de acoplamento
- Alterar a data e a hora

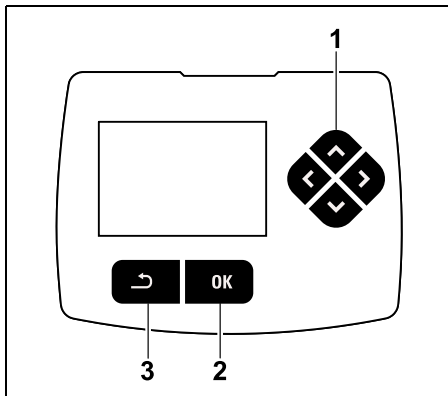


A alteração do plano de corte, o início do processo de corte, a ativação e a desativação do modo automático, o envio do robot cortador de relva para o ponto de recolha e a alteração da data e da hora podem gerar atividades inesperadas para as outras pessoas. As pessoas afetadas deverão, por conseguinte, ser sempre informadas de antemão de possíveis atividades do robot cortador de relva.

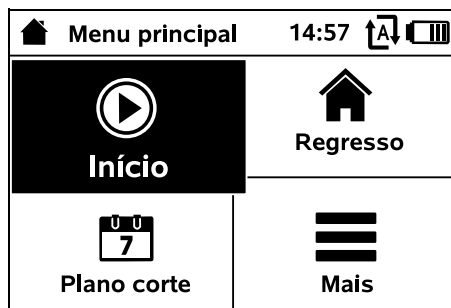
- Aceder às informações do aparelho e à localização do robot cortador de relva.

11. Menu

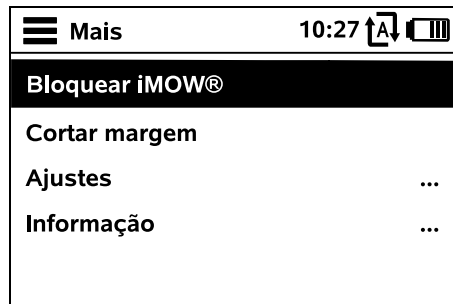
11.1 Indicações de manuseamento



A cruz de comando (1) é constituída por quatro botões direcionais. A cruz de comando destina-se à navegação nos menus. Os ajustes são confirmados e os menus são abertos com o botão OK (2). É possível sair novamente dos menus com o botão Voltar (3).



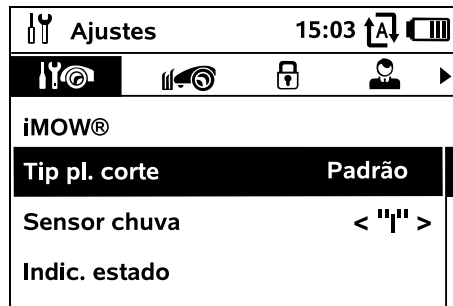
O menu principal é composto por 4 submenus, apresentados como botões. O submenu selecionado é sombreado a preto e é aberto com o botão OK.



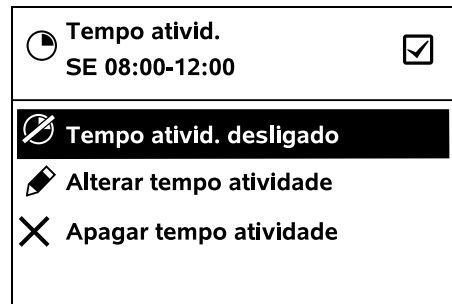
O segundo nível de menu é apresentado em lista. Os submenus são selecionados premindo a cruz de comando para baixo ou para cima. Os itens de menu ativos são sombreados a preto.

A barra de deslocamento na margem direita do visor indica que é possível visualizar mais itens premindo a cruz de comando para baixo ou para cima.

Os submenus são abertos premindo o botão OK.

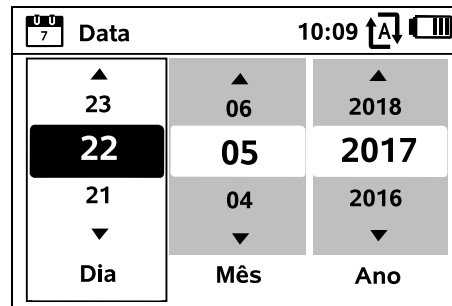


Os submenus "Ajustes" e "Informações" são apresentados como separadores. Os separadores são selecionados premindo a cruz de comando para a esquerda ou para a direita. Os submenus são selecionados premindo a cruz de comando para baixo ou para cima. Os separadores ou itens de menu ativos são sombreados a preto.



Nos submenus são listadas as opções. Os itens de lista ativos são sombreados a preto. Premir o botão OK abre uma caixa de seleção ou uma caixa de diálogo.

Caixa de seleção:



É possível alterar os valores de ajuste premindo a cruz de comando. O valor atual está destacado a preto. A confirmação de todos os valores é efetuada com o botão OK.

Caixa de diálogo:



Caso seja necessário guardar alterações ou confirmar mensagens, será apresentada no visor uma caixa de diálogo. O botão ativo é sombreado a preto.

No caso de uma opção, é possível ativar o respetivo botão premindo a cruz de comando para a esquerda ou para a direita.

A opção selecionada é confirmada com o botão OK e o menu superior é chamado.

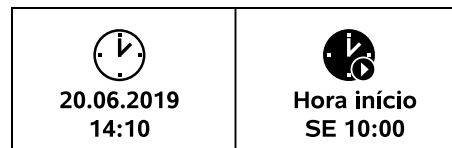
11.2 Indicação de estado



A indicação de estado será apresentada

- se o modo de standby do robot cortador de relva for concluído premindo um botão,

- se o botão Voltar no menu principal for premido,
- durante o funcionamento.



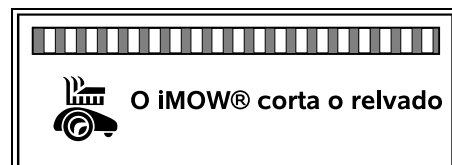
Na área superior da indicação, poderá encontrar dois campos configuráveis, onde poderão ser apresentadas diversas informações sobre o robot cortador de relva ou sobre os processos de corte. (⇒ 11.12)

Informação de estado sem atividade em curso:

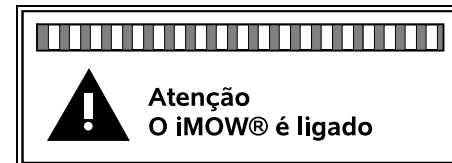


Na área inferior da indicação, são apresentados o nome do robot cortador de relva (⇒ 10.), o texto "iMOW® operacional" em conjunto com o símbolo ilustrado, o estado Automático (⇒ 15.4) e informações sobre a proteção GPS (⇒ 5.9).


Informação de estado com atividades em curso:



Durante um **processo de corte** em curso, é apresentado o texto "O iMOW® corta o relvado" no visor em conjunto com o respetivo símbolo. As informações textuais e o símbolo correspondem a cada processo ativo.



Antes do processo de corte, é apresentado o texto "Atenção – O iMOW® é ligado" em conjunto com um símbolo de aviso.

 Uma iluminação intermitente do visor e um sinal sonoro indicam ainda o arranque iminente do motor de corte. A lâmina de corte é ligada ao fim de alguns segundos, depois de o robot cortador de relva ser ativado.

Cortar margem:

O texto "A margem será cortada" é apresentado enquanto o robot cortador de relva trabalha na margem da superfície a cortar.



Levar para a unidade de acoplamento:

Se o robot cortador de relva regressar à unidade de acoplamento, o respetivo motivo (por exemplo, bateria descarregada, corte concluído) será apresentado no visor.



Carregar a bateria:

Enquanto a bateria está a ser carregada, é apresentado o texto "Bateria a carregar".



Arranque no ponto inicial:

Quando o robot cortador de relva arranca num ponto inicial ao iniciar o processo de corte, é apresentado o texto "Ponto inicial percorrido".

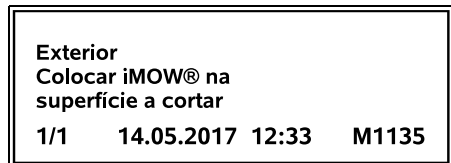


Arranque na zona pretendida:

Quando o robot cortador de relva arranca numa zona pretendida ao iniciar o processo de corte, é apresentado o texto "Zona pretendida percorrida".



Apresentação de mensagem:

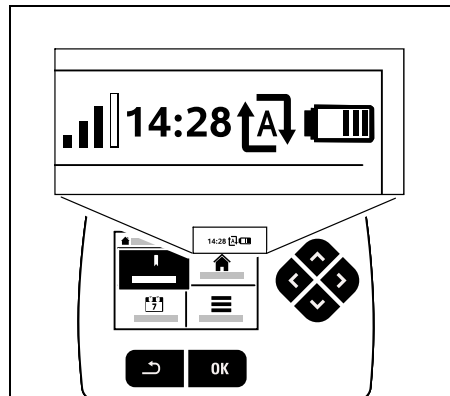


Erros, avarias ou recomendações são apresentados em conjunto com o símbolo de aviso, a data, a hora e o código da mensagem. Se houver várias mensagens ativas, estas serão apresentadas alternadamente. (⇒ 24.)



Se o robot cortador de relva estiver operacional, as mensagens e as informações de estado serão apresentadas alternadamente.

11.3 Área de informações



No canto superior direito do visor, são apresentadas as seguintes informações:

1. Estado de carga da bateria ou processo de carga
2. Estado automático
3. Hora
4. Sinal da ligação móvel

1. Estado de carga:

O **símbolo da bateria** destina-se a apresentar o estado de carga.

Sem barras – bateria descarregada
1 a 5 barras – bateria parcialmente descarregada
6 barras – bateria totalmente carregada



Durante o processo de carga, é apresentado um **símbolo de uma ficha de rede** em vez do símbolo de bateria.



2. Estado automático:

Com o modo automático ligado, é apresentado o **Símbolo do modo automático**.



3. Hora:

A hora atual é apresentada no formato de 24 horas.

4. Sinal da ligação móvel:

A **Intensidade do sinal** da ligação móvel é apresentada com 4 barras. Quantas mais barras existirem, melhor será a receção.

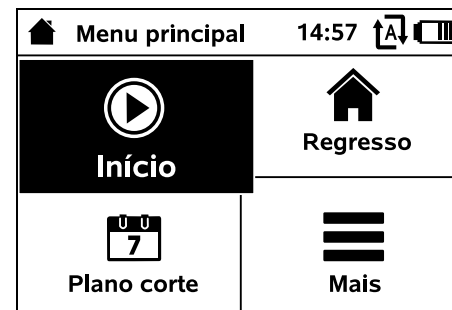


Um símbolo de receção com um pequeno x indica uma falha de ligação à Internet.

Durante a inicialização do módulo de rádio (verificação do hardware e do software, por exemplo, após a ligação do robot cortador de relva), é apresentado um ponto de interrogação.



11.4 Menu principal



O menu principal é apresentado

- ao sair da indicação de estado (⇒ 11.2) premindo o botão OK,
- se o botão Voltar for premido no segundo nível do menu.



1. Início (⇒ 11.5)

Tempo de corte
Ponto inicial
Cortar relva em



2. Regresso (⇒ 11.6)



3. Plano de corte (⇒ 11.7)

Automático
Duração de corte
Tempos ativid.
Novo plano de corte

4. Mais (⇒ 11.8)

Bloquear iMOW®
Cortar margem
Ajustes
Informação



11.5 Início

	Iniciar corte	15:02		
Tempo corte		1.5 h		
Ponto inicial	Ponto inicial 1			
Cortar relva em	Sup. principal			

1. Tempo de corte:

É possível definir o tempo de corte.

2. Ponto inicial:

É possível selecionar o ponto inicial em que o robot cortador de relva começa o processo de corte. Esta seleção só está disponível quando existem pontos iniciais definidos e quando o robot cortador de relva se encontra na unidade de acoplamento.

3. Cortar relva em:

É possível selecionar a superfície a cortar. Esta seleção só está disponível quando existe instalada uma superfície circundante.

11.6 Regresso

O robot cortador de relva regressa à unidade de acoplamento e carrega a bateria. Com o modo Automático ligado, o robot cortador de relva processa novamente a superfície a cortar no próximo tempo de atividade possível.



O robot cortador de relva também pode ser enviado para a unidade de acoplamento com a aplicação. (⇒ 10.)

11.7 Plano de corte

	Plano corte	11:02		
Automático		Lig		
Duração corte	18 h			
Tempos ativid.	...			
Novo plano de corte				

Automático

Lig - O modo Automático é ligado. O robot cortador de relva corta o relvado no tempo de atividade seguinte.

Des - Todos os tempos de atividade são desativados.

Fazer pausa hoje - O robot cortador de relva não se desloca automaticamente até ao dia seguinte. Esta seleção só está disponível quando existem ainda definidos tempos de atividade para o dia atual.

Duração de corte

É possível ajustar a duração de corte semanal. O ajuste só é possível no tipo de plano de corte "Dinâmico". O valor predefinido tem como base a dimensão da superfície a cortar. (⇒ 14.4)
Siga as instruções do capítulo "Adaptar a programação". (⇒ 15.3)



A duração do corte também pode ser ajustada com a aplicação. (⇒ 10.)

Tempos de atividade

	Plano corte	17:30				
SE	TE	QA	QI	SX	SA	DO

O **plano de corte guardado** é chamado através do menu "Tempos ativid." no menu "Plano de corte". As superfícies retangulares sob o respetivo dia representam os tempos de atividade guardados. Nos tempos de atividade marcados a preto, a relva pode ser cortada. As superfícies a cinzento representam tempos de atividade sem processos de corte – por exemplo, no caso de um tempo de atividade desligado.

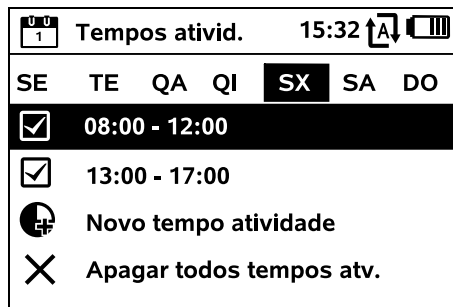



Com o modo Automático desligado, todo o plano de corte fica inativo e todos os tempos de atividade são apresentados a cinzento.


Se pretender editar os tempos de atividade de um **dia individual**, será necessário ativar o dia com a cruz





de comando (premir para a esquerda ou para a direita) e abrir o submenu **Tempos ativid.**




Nos tempos de atividade **assinalados**, o corte da relva é permitido. Esses tempos de atividade são marcados a preto no plano de corte. 

Nos tempos de atividade **não assinalados**, o corte da relva não é permitido. Esses tempos de atividade são marcados a cinzento no plano de corte. 


 Siga as instruções do capítulo "Indicações sobre cortar a relva – tempos de atividade". (⇒ 14.3) Terceiros têm de se manter afastados da zona de risco, em especial, durante os tempos de atividade.

 Os tempos de atividade também podem ser processados com a aplicação. (⇒ 10.)

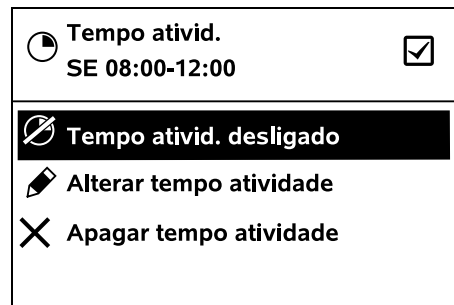
Os tempos de atividade guardados podem ser selecionados e editados de forma individual.



O item de menu **Novo tempo atividade** pode ser selecionado desde que estejam guardados 


menos de 3 tempos de atividade por dia. Um tempo de atividade adicional não pode sobrepor-se a outros tempos de atividade.


Se não pretender que o robot cortador de relva corte a relva no dia selecionado, deverá selecionar o item de menu **Apagar todos tempos atv.** 


Alterar tempo atividade:




Com **Tempo ativid. desligado** ou **Tempo ativid. ligado**, o tempo de atividade selecionado para o corte automático da relva é bloqueado ou desbloqueado.  


Com **Alterar tempo atividade**, é possível alterar o intervalo de tempo. 

Se o tempo de atividade selecionado deixar de ser necessário, deverá selecionar o item de menu **Apagar tempo atividade**. 

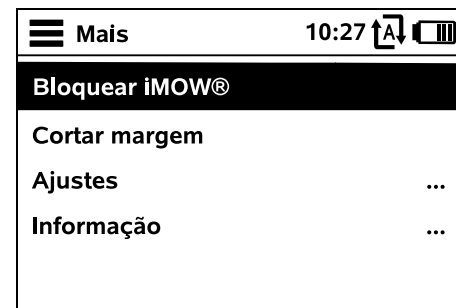
 Se os intervalos de tempo não forem suficientes para os processos de corte e de carga necessários, os tempos de atividade deverão ser prolongados ou complementados, ou a duração de corte deverá ser diminuída. Será apresentada uma mensagem correspondente no visor.

Novo plano de corte

O comando **Novo plano de corte** elimina todos os tempos de atividade guardados. É chamado o passo "Programar o robot cortador de relva" do assistente de instalação. (⇒ 9.13) 

 Caso a conclusão da reprogramação coincida com um tempo de atividade, o robot cortador de relva iniciará um processo de corte automático após a confirmação dos planos diários individuais.

11.8 Mais



1. Bloquear iMOW®: ative o Bloqueio do aparelho.

Para desbloquear, prima a combinação de botões apresentada. (⇒ 5.2)

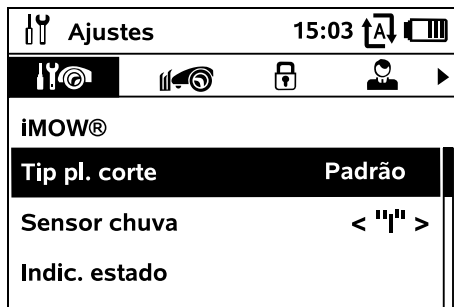
2. Cortar margem:

Após a ativação, o robot cortador de relva corta a margem da superfície a cortar. Após uma volta, regressa à unidade de acoplamento e carrega a bateria.

3. Ajustes (⇒ 11.9)

4. Informação (⇒ 11.18)

11.9 Ajustes



1. iMOW®:

Adaptação de ajustes do aparelho (⇒ 11.10)



2. Instalação:

Adaptação e testes da instalação (⇒ 11.13)



3. Segurança:

Adaptação dos ajustes de segurança (⇒ 11.16)



4. Serviço:

Manutenção e serviço (⇒ 11.17)



5. Área distrib.:

O menu está protegido pelo **Cód. distrib.**. O distribuidor oficial executa diversas atividades de manutenção e assistência com o auxílio deste menu.



11.10 iMOW® – ajustes do aparelho

1. Tip pl. corte:

Padrão: O robot cortador de relva corta o relvado durante todo o tempo de atividade. O processo de corte só é interrompido através de processos de corte. O tipo de plano de corte Padrão encontra-se predefinido.

Dinâmico: A quantidade e a duração dos tempos de corte e de carga incluídos nos tempos de atividade são ajustadas automaticamente.

2. Sensor de chuva:

O sensor de chuva pode ser ajustado de modo que o corte da relva à chuva seja interrompido ou não seja iniciado.



- Ajustar o sensor de chuva (⇒ 11.11)

3. Indicação de estado:

Selecione as informações que deverão ser apresentadas na indicação de estado. (⇒ 11.2)




- Ajustar indicação de estado (⇒ 11.12)

4. Hora:

Ajuste da hora atual. A hora ajustada tem de coincidir com a hora real, de modo a evitar que o robot cortador de relva corte a relva inadvertidamente.




 A hora do corte também pode ser ajustada com a aplicação. (⇒ 10.)

5. Data:

Ajuste da data atual. A data ajustada tem de coincidir com a data real do calendário, de modo a evitar que o robot cortador de relva corte a relva inadvertidamente.



 A data do corte também pode ser ajustada com a aplicação. (⇒ 10.)

6. Formato data:

Ajuste do formato da data pretendido.



7. Idioma:

Defina o idioma do visor pretendido. De série, é definido o idioma selecionado durante a primeira instalação.



8. Contraste:

Se necessário, é possível ajustar o contraste do visor.



9. Modo energia:

Com **Padrão**, o robot cortador de relva está sempre ligado à internet e pode ser acedido através da aplicação. (⇒ 10.)



Com **ECO**, a comunicação por rádio é desativada para reduzir o consumo de energia nas fases de repouso, pelo que não é possível aceder ao robot cortador de relva através da aplicação. Os dados disponibilizados mais recentemente são apresentados na aplicação.

11.11 Ajustar o sensor de chuva

Para ajustar o sensor de chuva de 5 níveis, prima a cruz de comando para a esquerda ou para a direita. O valor atual é apresentado no menu "Ajustes" através de um gráfico de linhas.



O deslocamento do regulador influencia

- a sensibilidade do sensor de chuva,
- quanto tempo o robot cortador de relva deverá aguardar que a superfície do sensor seque depois de chover.

No caso da **sensibilidade média**, o robot cortador de relva está pronto para ser utilizado em condições exteriores normais.



Desloque a barra mais **para a esquerda** para cortar a relva na presença de maior humidade. Se deslocar a barra totalmente para a esquerda, o robot cortador de relva também cortará a relva em condições



exteriores húmidas e não interromperá o processo de corte quando o sensor detetar pingos de chuva.

Desloque a barra mais **para a direita** para cortar a relva na presença de menor humidade. Se deslocar a barra totalmente para a direita, o robot cortador de relva só cortará a relva se o sensor de chuva estiver completamente seco.



11.12 Ajustar indicação de estado

Para configurar a indicação de estado, seleccione a indicação esquerda ou direita com a cruz de comando e confirme com OK.

Estado carga:

Indicação do símbolo da bateria juntamente com o estado de carga em percentagem



Per. descanso:

Duração de corte restante na semana em curso, em horas e minutos. A indicação só está disponível no tipo de plano de corte "Dinâmico".



Data e hora:

Data e hora atuais



Hora início:

Início do próximo processo de corte planeado. No caso de um tempo de atividade em curso, é apresentado o texto "ativo".



Proc. corte:

Quantidade de todos os processos de corte realizados até ao momento



Horas corte:

Duração de todos os processos de corte realizados até ao momento



Quilometragem:

Total de quilómetros percorridos



Rede:

Intensidade do sinal da ligação móvel com identificação da rede. Um pequeno x ou um ponto de interrogação indica uma falha de ligação do robot cortador de relva à internet. (⇒ 11.3), (⇒ 11.18)



Receção GPS:

Coordenadas GPS do robot cortador de relva. (⇒ 11.18)




11.13 Instalação

1. Corredor:

Ligue e desligue o desvio do caminho de recolha.

Com o corredor ligado, o robot cortador de relva regressa à unidade de acoplamento desviando-se para dentro ao longo do fio metálico limitador.

 Se não estiver guardado um mapeamento para o regresso direto (⇒ 11.15), o regresso do robot cortador de relva efetua-se pela margem e serão considerados os ajustes para o corredor.

É possível seleccionar **três variantes**:

Desligado – Predefinição

O robot cortador de relva passa ao longo do fio metálico limitador.

Estreito – 40 cm

O robot cortador de relva circula alternadamente sobre o fio metálico limitador ou de forma desfasada em 40 cm.

Largo – 40 - 80 cm

A distância relativamente ao fio metálico limitador é seleccionada aleatoriamente no interior deste corredor em todos os regressos.



No caso de uma unidade de acoplamento externa, bem como de travessas e locais estreitos, é necessário instalar **circuitos de procura** para o desvio do regresso. (⇒ 12.12)

Mantenha uma distância mínima do fio de 2 m no desvio do regresso.

2. Pontos iniciais:

O robot cortador de relva inicia sempre os processos de corte pela unidade de acoplamento (predefinição) ou por um dos pontos iniciais.



Os pontos iniciais devem ser definidos

- quando as partes da superfície tiverem de ser percorridas de forma orientada por não terem sido suficientemente processadas,
- quando as áreas apenas estiverem acessíveis através de uma travessa. Nestas partes da superfície, deve ser definido, pelo menos, um ponto inicial.

Pode ser atribuído um **raio** aos pontos iniciais. Nos casos em que o processo de corte é iniciado num determinado ponto inicial, o robot cortador de relva corta sempre, em primeiro lugar, a superfície circular em torno do ponto inicial. O processo de corte na restante superfície a cortar apenas prosseguirá após a conclusão do processamento desta parte da superfície.

- Definir pontos iniciais (⇒ 11.14)

3. Regresso direto:

Não é possível criar o mapeamento interno para o regresso direto. (⇒ 11.15)

4. Superfícies circundantes:

Ative as superfícies circundantes.



Inativo – predefinição

Ativo – definição se pretender cortar nas

superfícies circundantes. No menu "Início", deve ser selecionada a Sup. a cortar (Sup. principal/Sp. circundante). (⇒ 12.10)

5. Cortar margem:

Defina a frequência do corte da margem.



Nunca – A margem nunca é cortada.

Uma vez – Predefinição em que a margem é cortada uma vez por semana.

Dois vezes/Três vezes/Quatro vezes/Cinco vezes – A margem é cortada duas/três/quatro/cinco vezes por semana.

6. Testar margem:

Inicie o percurso na margem para verificar a colocação correta do fio. O passo "Verificar a instalação" do assistente de instalação é chamado. (⇒ 9.12)



Para verificar a correta colocação do fio relativamente à superfície de bloqueio, posicione o robot cortador de relva com a parte da frente virada para a superfície de bloqueio na superfície a cortar e inicie o percurso na margem.

Durante o percurso na margem, é definido o ponto de recolha do robot cortador de relva. Se necessário, é possível alargar um ponto de recolha já guardado. (⇒ 14.5)

7. Nova instalação:

O assistente de instalação é iniciado uma vez mais. O plano de corte existente é eliminado. (⇒ 9.)



ou

- selecione e defina manualmente o ponto inicial pretendido.

Programar os pontos iniciais:

Após premir o botão OK, o robot cortador de relva inicia uma viagem programada ao longo do fio metálico limitador. Se não estiver acoplado, seguirá previamente para a unidade de acoplamento. Todos os pontos iniciais existentes serão eliminados.



Durante a viagem programada, é definido o ponto de recolha do robot cortador de relva. Se necessário, é possível alargar um ponto de recolha já guardado. (⇒ 14.5)

É possível determinar até 4 pontos iniciais durante o percurso premindo o botão OK depois de abrir a tampa.



Evite premir o botão OK antes de abrir a tampa para não interromper a viagem programada. Em regra, só é necessária uma interrupção para alterar o curso do fio ou eliminar obstáculos.

Interrupção do processo de programação:

Manualmente – premindo o botão STOP. Automaticamente – através de obstáculos na margem da superfície a cortar.

- Se a viagem programada tiver sido interrompida automaticamente, corrija a posição do fio metálico limitador ou remova os obstáculos.

- Antes de prosseguir a viagem programada, verifique a posição do robot cortador de relva. O aparelho tem de estar sobre o fio metálico limitador ou no interior da superfície a cortar com a parte dianteira na direção do fio metálico limitador.

Conclusão do processo de programação:

Manualmente – após uma interrupção. Automaticamente – após o acoplamento. Os novos pontos iniciais serão guardados após o acoplamento ou após a interrupção mediante confirmação com OK (depois de abrir a tampa).

Frequência inicial:

A frequência inicial define com que frequência um processo de corte deverá começar num determinado ponto inicial. A predefinição é de 2 de 10 processos de corte (2/10) em cada ponto inicial.

- Se necessário, altere a frequência inicial após a programação.
- Se o processo de programação tiver sido concluído prematuramente, envie o robot cortador de relva para a unidade de acoplamento através do comando. (⇒ 11.6)
- Em torno de cada ponto inicial, é possível definir um **Raio** de 3 m a 30 m após a programação. Os pontos iniciais guardados, por predefinição, não têm um raio atribuído.



Pontos iniciais com raio:

Se o processo de corte for iniciado no respetivo ponto inicial, o robot cortador de relva cortará em primeiro lugar a parte da superfície no interior do segmento circular em torno do ponto inicial. A restante superfície a cortar apenas será processada em seguida.

11.14 Definir pontos iniciais

Para definir,

- programe os pontos iniciais

Definir manualmente os pontos iniciais 1 a 4:

Determine a distância entre os pontos iniciais e a unidade de acoplamento e defina a frequência inicial.

A **distância** corresponde ao trajeto entre a unidade de acoplamento e o ponto inicial em metros, medida no sentido dos ponteiros do relógio.

A **frequência inicial** pode estar compreendida entre 0 de 10 processos de corte (0/10) e 10 de 10 processos de corte (10/10).

Em torno do ponto inicial, é possível definir um **raio** de 3 m a 30 m.



A **unidade de acoplamento** é definida como **ponto inicial 0** e, por predefinição,

os processos de corte são aí iniciados.

A frequência inicial corresponde ao valor residual calculado de 10 de 10 saídas.



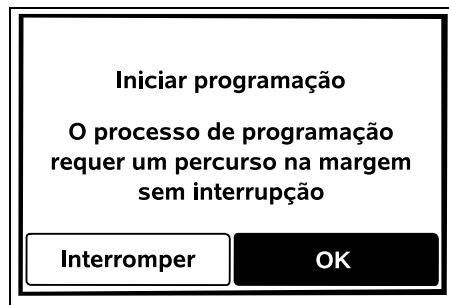
Durante a viagem programada, é guardado um mapa interno da superfície a cortar. Para tal, o percurso na margem tem de ser realizado sem interrupção.

Pré-requisitos para o mapeamento da superfície a cortar:

- O robot cortador de relva tem de percorrer sem interrupção o comprimento completo do fio metálico limitador.
- Os obstáculos e erros na colocação do fio resultam numa interrupção. Os obstáculos têm de ser removidos e, se necessário, a colocação do fio tem de ser corrigida.

Executar o mapeamento da superfície a cortar:

- Selecionar o item de menu "Programar".
- O processo de programação requer um percurso na margem sem interrupções.



- Remover obstáculos ao longo do fio metálico limitador. Confirmar com OK.
- Se já existir um mapa interno, é perguntado se este deve ser apagado.

- Em caso de confirmação com OK, fechar a tampa. O robot cortador de relva desloca-se ao longo da margem. O mapa interno da superfície a cortar é criado em segundo plano.

Em caso de mapeamento com êxito da superfície a cortar:

- O processo de programação será automaticamente concluído através do acoplamento do robot cortador de relva.
- Será apresentada a mensagem "Programação bem sucedida". O regresso direto está ativo.

Em caso de interrupção do percurso na margem:



O percurso na margem é interrompido devido a colisão com obstáculos ou pode ser manualmente interrompido premindo o botão STOP.

Após uma interrupção, a viagem programada terá de ser de novo iniciada a partir da unidade de acoplamento.

- Será apresentada a mensagem "Interromper programação - Falha ao programar".
- É perguntado se o percurso na margem deve ser cancelado. Se não for o caso: O robot cortador de relva desloca-se automaticamente ao longo do fio metálico limitador até à unidade de acoplamento. A viagem programada terá de ser de novo iniciada para efetuar um mapeamento com êxito. Se for o caso: transportar o aparelho manualmente para a unidade de acoplamento.

11.15 Regresso direto


A identificação inteligente do caminho permite que o robot cortador de relva faça um regresso direto e eficiente à unidade de acoplamento.


ativo - O regresso direto está ativo. O robot cortador de relva desloca-se sobre o relvado para a unidade de acoplamento.

inativo - O regresso direto está inativo. O robot cortador de relva desloca-se ao longo do fio metálico limitador até à unidade de acoplamento.

Programar - É criado um mapeamento interno da superfície a cortar. Se já estiver guardado um mapa, este será apagado.

- É perguntado se o processo de programação deve ser repetido.
- Em caso de confirmação com Sim, colocar o robot cortador de relva na unidade de acoplamento, confirmar com OK e fechar a tampa. O processo de programação é reiniciado.

 Em caso de adaptações da colocação do fio metálico limitador, o mapa da superfície a cortar de tem der criado de novo.

 Se o passo "Testar margem" da primeira instalação for executado sem interrupções, em segundo plano será desde logo automaticamente criado um mapa da superfície a cortar.

11.16 Segurança

1. Bloqueio do aparelho
2. Nível
3. Proteção GPS
4. Alterar código PIN
5. Sinal início
6. Tons de menu
7. Bloq. botões
8. Acpl. iMOW® + acopl. m.

1. Bloqueio do aparelho:

Ao premir OK, o bloqueio do aparelho é ativado e deixa de ser possível colocar o robot cortador de relva em funcionamento. É necessário bloquear o robot cortador de relva antes de todos os trabalhos de manutenção e limpeza, antes do transporte e antes da verificação. (⇒ 5.2)




- Para eliminar o bloqueio do aparelho, prima a combinação de botões ilustrada.

2. Nível:

É possível definir 4 níveis de segurança. Em função do nível, são ativados determinados bloqueios e dispositivos de proteção.



- **Nenhum:**
O robot cortador de relva está desprotegido.
- **Reduzido:**
O pedido do PIN está ativo; o acoplamento do robot cortador de relva e da unidade de acoplamento, bem como a reposição das definições de fábrica do aparelho, apenas são possíveis após a introdução do código PIN.
- **Médio:**
Tal como acontece com o nível "Reduzido", mas adicionalmente está ativo o bloqueio por tempo.
- **Elevado:**
É sempre necessária a introdução de um código PIN.

 A STIHL recomenda a definição de um dos níveis de segurança "Reduzido", "Médio" ou "Elevado".

- Selecione o nível pretendido e confirme com OK. Se necessário, introduza o código PIN de 4 algarismos.

Pedido do PIN:

Se o cortador de relva for inclinado durante mais de 10 segundos, será apresentado um pedido do PIN. Se o código PIN não for introduzido no espaço de 1 minuto, começará a soar um sinal de alarme e o modo automático será adicionalmente desligado.

Bloqueio do acoplamento:

Pedido do código PIN antes do acoplamento do robot cortador de relva e da unidade de acoplamento.

Bloqueio da reposição:

Pedido do código PIN antes da reposição das definições de fábrica do aparelho.

Bloqueio de tempo:

Pedido do código PIN para a alteração de um ajuste, se não tiver sido introduzido qualquer código PIN há mais de 1 mês.


Proteção dos ajustes:

Pedido do código PIN quando são alterados ajustes.

3. Proteção GPS:

Ative ou desative a monitorização da posição. (⇒ 5.9)




 **Recomendação:**

Ligue sempre a proteção GPS. Antes de ligar, introduza o número de telemóvel do proprietário na aplicação (⇒ 10.) e configure um dos níveis de segurança "Reduzido", "Médio" ou "Elevado" no robot cortador de relva.

4. Alterar código PIN:

O código PIN de 4 algarismos poderá ser alterado, se necessário.



 O item de menu "Alterar código PIN" apenas é apresentado nos níveis de segurança "Reduzido", "Médio" ou "Elevado".

- Introduza em primeiro lugar o código PIN antigo e confirme com OK.
- Defina o novo código PIN de 4 algarismos e confirme com OK.

i A STIHL recomenda que anote o código PIN alterado. Se o código PIN tiver sido incorretamente introduzido 5 vezes, será necessário um **código principal** de 4 algarismos e o modo automático será adicionalmente desligado.

Para a criação do código principal, dirija-se ao seu distribuidor oficial STIHL ou diretamente ao suporte iMOW® através de support@imow.stihl.com. Indique o número de série de 9 algarismos e a data de 4 algarismos que são apresentados no visor iMOW®.

5. Sinal início:

Ligue ou desligue o sinal sonoro emitido antes de a lâmina de corte ser ligada.



6. Tons de menu:

Ligue ou desligue o sinal sonoro de clique emitido quando um menu é aberto ou uma seleção é confirmada com OK.



7. Bloq. botões:

Se o bloqueio de botões estiver ligado, apenas será possível utilizar os botões do visor se o botão **Voltar** for mantido premido e, em seguida, a cruz de comando **para a frente** for premida.

O bloqueio de botões ficará ativo 2 minutos após premir o último botão.



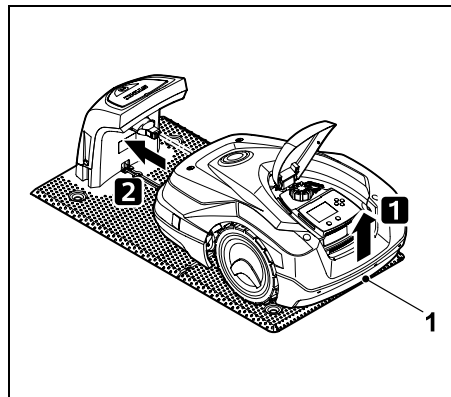
8. Acpl. iMOW® + acopl.m.:

Após a primeira colocação em funcionamento, o robot cortador de relva funciona exclusivamente com a unidade de acoplamento instalada. É necessário acoplar o robot cortador de relva e a unidade de acoplamento após



uma substituição da unidade de acoplamento ou de componentes eletrónicos no robot cortador de relva, ou para a colocação em funcionamento do robot cortador de relva numa superfície a cortar adicional com outra unidade de acoplamento.

- Instale a unidade de acoplamento e ligue o fio metálico limitador. (⇒ 9.8), (⇒ 9.10)



amente o robot cortador de relva pela pega de transporte (1) de modo a aliviar as rodas de acionamento. Empurre o aparelho até à unidade de acoplamento apoiado nas rodas dianteiras.

- Após premir o botão OK, introduza o código PIN. Em seguida, o robot cortador de relva procurará o sinal de fio e guardá-lo-á automaticamente. O processo demora alguns minutos. (⇒ 9.11)



O código PIN não é necessário no nível de segurança "Nenhum".

11.17 Serviço

1. Substituir lâmina:

A montagem de uma nova lâmina de corte é confirmada com OK. O contador é reposto.

2. Procurar quebra fio:

Se o LED vermelho da unidade de acoplamento piscar rapidamente, o fio metálico limitador estará interrompido. (⇒ 13.1)

- Procurar quebra do fio (⇒ 16.7)

3. Hibernação:

Se selecionar OK, o robot cortador de relva é colocado em hibernação. Os ajustes são mantidos e a hora e a data são repostas.

- Antes da hibernação, a bateria deve ser totalmente carregada.
- Quando voltar a colocar o aparelho em funcionamento, ative-o premindo qualquer botão.

4. Repor definições:

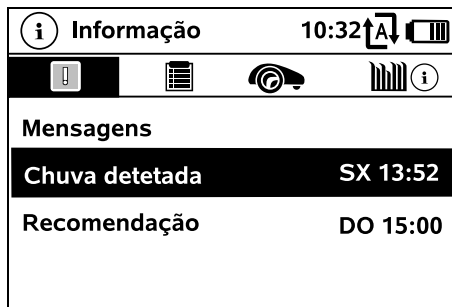
Ao premir OK, são repostas as definições de fábrica do robot cortador de relva e o assistente de instalação é novamente iniciado. (⇒ 9.6)

- Após premir o botão OK, introduza o código PIN.



i O código PIN não é necessário no nível de segurança "Nenhum".

11.18 Informação



1. Mensagens:

Lista todos os erros, avarias e recomendações ativos; a apresentação é efetuada juntamente com o momento da ocorrência. No caso de um funcionamento sem problemas, é apresentado o texto "Sem mensagens". Os detalhes das mensagens são apresentados após premir o botão OK. (⇒ 24.)

2. Eventos:

Lista as últimas atividades do robot cortador de relva. Os detalhes dos eventos (texto complementar, momento e código) são apresentados após premir o botão OK.



Se algumas atividades ocorrerem com frequência invulgar, o distribuidor oficial disporá de mais informações. As avarias no funcionamento normal são documentadas nas mensagens.

3. Estado do iMOW®:

Informações sobre o robot cortador de relva



- Estado carga:
Carga da bateria em percentagem

- Per. descanso:
Duração de corte restante na semana em curso, em horas e minutos
- Data e hora
- Hora início:
Início do próximo processo de corte planeado
- Quantidade de todos os processos de corte concluídos
- Horas corte:
Duração de todos os processos de corte concluídos, em horas

- Quilometragem:
Total de quilómetros percorridos, em metros
- Ser.-No.:
Número de série do robot cortador de relva, o qual também poderá ser consultado na placa de identificação (consulte a descrição do aparelho). (⇒ 3.1)
- Bateria:
Número de série da bateria
- Software:
Software do aparelho instalado

4. Estado relvado:

Informações sobre o relvado



- Superfície a cortar em metros quadrados:
O valor é introduzido durante a primeira instalação ou no caso de uma nova instalação. (⇒ 9.13)
- Tempo volta:
Duração de uma volta em torno da superfície a cortar, em minutos e segundos

- Pontos iniciais 1 – 4:
Distância entre o respetivo ponto inicial e a unidade de acoplamento em metros, medida no sentido dos ponteiros do relógio. (⇒ 11.14)
- Perímetro:
Perímetro da superfície a cortar em metros
- Cortar margem:
Frequência do corte da margem por semana (⇒ 11.13)

5. Estado do módulo de rádio:




Informações sobre o módulo de rádio

- Satélites:
Número de satélites que é possível alcançar
- Posição:
Posição atual do robot cortador de relva; disponível se a ligação ao satélite for suficiente
- Intensidade do sinal:
Intensidade do sinal da ligação móvel; quantos mais sinais de adição (máximo de "++++") forem apresentados, melhor é a ligação.
- Rede:
Identificação da rede, composta pelo código do país (MCC) e o código do fornecedor (MNC)
- Número rádio s/ fios:
O número de telemóvel do proprietário; é introduzido na aplicação. (⇒ 10.)
- IMEI:
Número do hardware do módulo de rádio
- IMSI:
Identidade Internacional de Assinante Móvel

- SW:
Versão do software do módulo de rádio
- Ser.-No.:
Número de série do módulo de rádio
- SN modem:
Número de série do modem

12. Fio metálico limitador

 **Antes de colocar** o fio metálico limitador, particularmente antes da primeira instalação, leia todo o capítulo e planeie a colocação do fio com precisão.




Realize a primeira instalação com o assistente de instalação. (⇒ 9.)

Se necessitar de apoio, o distribuidor oficial STIHL fará todo o gosto em ajudá-lo a preparar a superfície a cortar e a instalar o fio metálico limitador.

Antes da fixação definitiva do fio metálico limitador, verifique a instalação. (⇒ 9.) Por norma, são necessários ajustes na colocação do fio em áreas de travessas, locais estreitos ou superfícies de bloqueio.

Podem ocorrer desvios


- nos casos em que as possibilidades técnicas do robot cortador de relva tenham sido atingidas, por exemplo, em travessas muito longas ou na colocação em áreas com objetos metálicos ou com metal sob o relvado (por exemplo, cabos elétricos e tubagens da água),
- nos casos em que a estrutura da superfície a cortar tenha sido especificamente alterada para a utilização do robot cortador de relva.

 As distâncias do fio indicadas neste manual de utilização são determinadas com base na colocação do fio metálico limitador na superfície do relvado.

O fio metálico limitador também pode ser enterrado até 10 cm de profundidade (por exemplo, com uma máquina de colocação).

O enterro no solo influencia, por regra, a receção do sinal, particularmente quando são colocadas placas ou calçadas sobre o fio metálico limitador. Se necessário, o robot cortador de relva prossegue a sua marcha ao longo do fio metálico limitador desviando-se para fora, o que implica uma necessidade de espaço superior ao nível das travessas, locais estreitos e ao percorrer a margem. Se necessário, adapte a colocação do fio.


12.1 Planear a colocação do fio metálico limitador

 Consulte os **exemplos de instalação** no final do manual de utilização. (⇒ 27.)
Instale as superfícies de bloqueio, as travessas, as superfícies circundantes, os trajetos de ligação e as reservas de fio durante a colocação do fio metálico limitador, de modo a evitar correções posteriores.

- Determine o **local da unidade de acoplamento** (⇒ 9.1)

- Remova os **obstáculos** na superfície a cortar ou estabeleça superfícies de bloqueio. (⇒ 12.9)

- **Fio metálico limitador:**
O fio metálico limitador tem de ser colocado num circuito contínuo em torno de toda a superfície a cortar.
Comprimento máximo:
500 m

 Em superfícies a cortar mais pequenas, com menos de 80 m de comprimento de fio, é necessário instalar o **AKM 100** fornecido em conjunto com o fio metálico limitador. (⇒ 9.9)

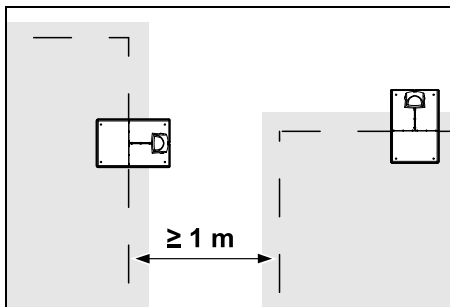
- **Travessas e superfícies circundantes:**
Para cortar a relva com o modo automático, ligue todas as áreas da superfície a cortar com **travessas**. (⇒ 12.11)
Se o espaço não for suficiente para tal, deverão ser estabelecidas **superfícies circundantes**. (⇒ 12.10)
- Ao colocar o fio metálico limitador, respeite as **distâncias** (⇒ 12.5):
em superfícies transitáveis contíguas (desníveis de terreno inferiores a +/- 1 cm, por exemplo, passeios): **0 cm**
no caso das travessas: **22 cm**
no caso de obstáculos altos (por exemplo, muros, árvores): **28 cm**
de distância mínima em locais estreitos: **44 cm**
no caso de superfícies de água e potenciais locais propícios a quedas (arestas, saliências): **100 cm**
- **Cantos:**
Evite a colocação em ângulos agudos (inferiores a 90°)

- **Trajetos de ligação:**

Se o desvio do regresso (corredor) for utilizado, será necessário instalar trajetos de ligação no caso de travessas ou de uma unidade de acoplamento externa. (⇒ 12.12)

- **Reservas de fio:**

Para que seja mais fácil modificar posteriormente a colocação do fio metálico limitador, deverão ser instaladas várias reservas de fio. (⇒ 12.15)



Não deve haver sobreposição de superfícies a cortar. Deve existir uma distância mínima de ≥ 1 m entre os fios metálicos limitadores de duas superfícies a cortar.

i Os restos de fio metálico limitador enrolados poderão originar avarias e têm de ser removidos.

12.2 Criar um esboço da superfície a cortar



Durante a instalação do robot cortador de relva e da unidade de acoplamento, é aconselhável criar um esboço da superfície a cortar. É apresentada no início deste manual de

utilização uma página para o efeito. Este esboço deverá ser atualizado caso se verifiquem alterações posteriores.

Conteúdo do esboço:

- **Contorno da superfície a cortar** com obstáculos relevantes, limites e possíveis superfícies de bloqueio nas quais o robot cortador de relva não possa trabalhar. (⇒ 27.)
- Posição da **unidade de acoplamento** (⇒ 9.8)
- Posição do **fio metálico limitador**
O fio metálico limitador penetra no solo ao fim de pouco tempo e não volta a ser visto. Registe em particular a colocação do fio à volta de obstáculos. (⇒ 9.9)
- Posição do **conector com fio**
Os conectores com fio utilizados deixarão de ser vistos ao fim de pouco tempo. A posição destes conectores deverá ser registada, de modo a permitir a respetiva substituição, se necessário. (⇒ 12.16)

12.3 Colocar o fio metálico limitador



Utilize apenas pregos de fixação originais e um fio metálico limitador original. Os **kits de instalação** com o devido material de instalação estão disponíveis como acessórios no distribuidor oficial STIHL. (⇒ 18.)

O sentido da colocação (no sentido dos ponteiros do relógio ou em sentido contrário) pode ser selecionado conforme a necessidade.

Nunca extraia pregos de fixação com o auxílio do fio metálico limitador – utilize sempre uma ferramenta adequada (por exemplo, um alicate universal).

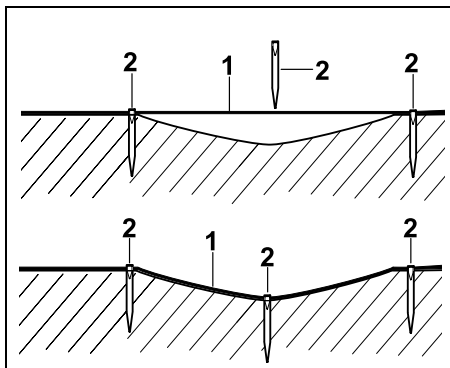
Estabeleça o curso do fio metálico limitador num esboço. (⇒ 12.2)

- Instale a unidade de acoplamento. (⇒ 9.8)
- Coloque o fio metálico limitador a partir da unidade de acoplamento em torno da superfície a cortar e em torno de obstáculos eventualmente existentes (⇒ 12.9) e fixe-o ao solo com pregos de fixação. Verifique as distâncias com o auxílio da régua iMOW®. (⇒ 12.5) Siga as instruções do capítulo "Primeira instalação". (⇒ 9.9)
- Ligue o fio metálico limitador. (⇒ 9.10)





Nota:

Não estire demasiado o fio metálico limitador para evitar que este quebre. Quando o colocar com uma máquina de colocação de fio, deve ainda ter em conta que o fio metálico limitador deve correr livremente na bonina.

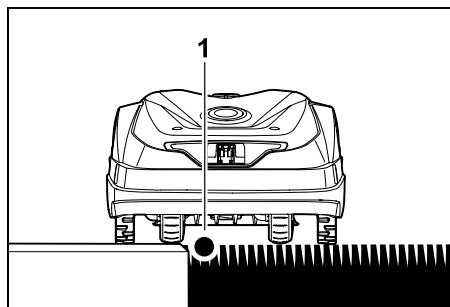


O fio metálico limitador (1) é colocado acima do solo e, em irregularidades, fixado com pregos de fixação adicionais (2). Desta forma, evita-se que o fio seja cortado pela lâmina de corte.


12.4 Ligar o fio metálico limitador

- Remova a ficha de rede e, em seguida, remova a cobertura da unidade de acoplamento. 
- Coloque o fio metálico limitador nas guias de cabo da placa de base, passe-o pela base, descarte as extremidades e ligue à unidade de acoplamento. Siga as instruções do capítulo "Primeira instalação". (⇒ 9.10)
- Monte a cobertura da unidade de acoplamento e, em seguida, encaixe a ficha de rede. 
- Verifique o sinal de fio. (⇒ 9.11)
- Verifique o acoplamento. (⇒ 15.6)
Se necessário, corrija a posição do fio metálico limitador na área da unidade de acoplamento.

12.5 Distâncias do fio – utilizar a régua iMOW®

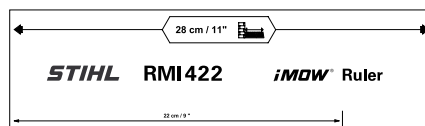


O fio metálico limitador (1) **pode ser colocado sem distância** ao longo de obstáculos transitáveis, tais como terraços e caminhos transitáveis. O robot cortador de relva prossegue com uma roda traseira fora da superfície a cortar. Desnível máximo do terreno relevado: +/- 1 cm

 No caso da manutenção da beira do relevado, certifique-se de que o fio metálico limitador não é danificado. Se necessário, instale o fio metálico limitador com alguma distância (28 cm) relativamente à beira do relevado.

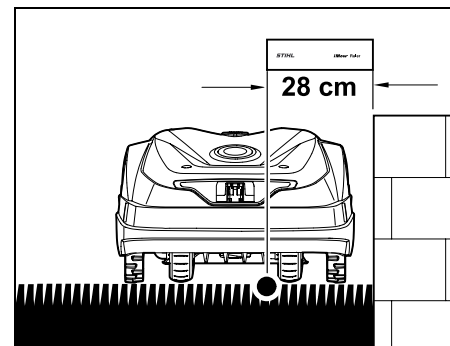
Medir as distâncias do fio com a régua iMOW®

A régua iMOW® deverá ser utilizada para as medições da distância, de modo que o fio metálico limitador seja colocado a uma distância correta relativamente à margem da superfície a cortar e aos obstáculos.



Obstáculo alto:

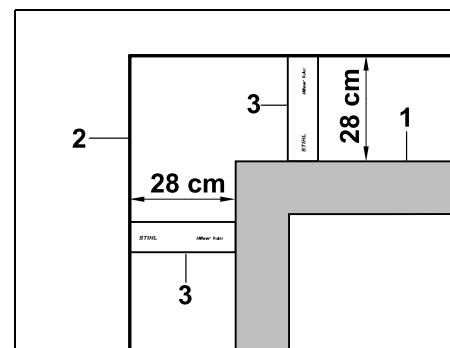
Distância entre um obstáculo alto e o fio metálico limitador.



O robot cortador de relva tem de circular totalmente dentro da superfície a cortar e não pode tocar no objeto.

Graças à distância de 28 cm, o robot cortador de relva contorna um obstáculo alto no canto ao longo do fio metálico limitador sem colidir com o obstáculo.

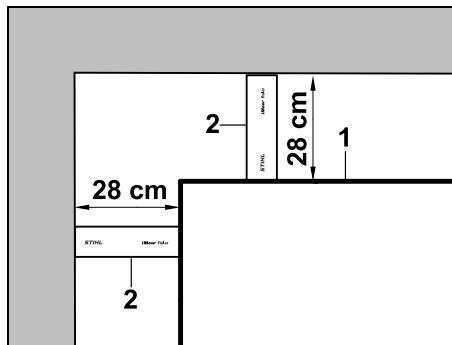
Colocação do fio em torno do obstáculo alto:



Durante a colocação em torno de obstáculos altos (1), tais como cantos de paredes ou canteiros altos, é necessário manter uma distância exata do fio nos cantos, de modo que o robot cortador de

relva não raspe no obstáculo. Coloque o fio metálico limitador (2) com o auxílio da régua iMOW® (3), conforme ilustrado.

Distância do fio: 28 cm

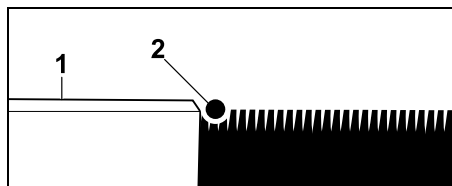


Durante a colocação do fio metálico limitador (1) num canto interior de um obstáculo alto, meça a distância do fio com a régua iMOW® (2).

Distância do fio: 28 cm

Medir a altura de obstáculos:

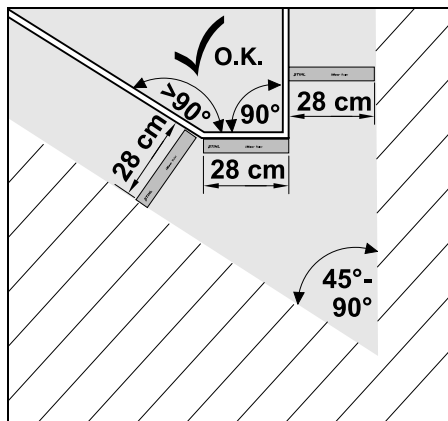
O robot cortador de relva pode percorrer superfícies contíguas, como, por exemplo, caminhos, se o desnível do terreno a vencer for inferior a +/- 1 cm.



Se a diferença de altura do obstáculo transitável (1) for inferior a +/- 1 cm: coloque o fio metálico limitador (2) sem distância relativamente ao obstáculo.

i Se necessário, ajuste a altura de corte de modo que o robot cortador de relva não bata com o mecanismo de corte em obstáculos. Se for definida a altura de corte mais reduzida, o robot cortador de relva apenas funcionará em desníveis do terreno inferiores ao indicado.

12.6 Cantos pontiagudos



Em cantos pontiagudos do relvado (45° - 90°), o fio metálico limitador é colocado conforme ilustrado. Ambos os ângulos devem ficar a uma distância de, pelo menos, **28 cm**, para que o robot cortador de relva consiga percorrer a margem.

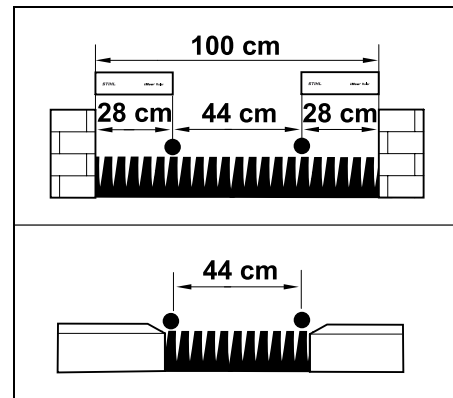
Os cantos inferiores a 45° não são incluídos na colocação do fio.

12.7 Locais estreitos

i Se a instalação contiver locais estreitos, desligue o desvio do caminho de recolha (corredor) (⇒ 11.13) ou instale fios de procura. (⇒ 12.12)

O robot cortador de relva percorre automaticamente todos os locais estreitos desde que a distância mínima do fio seja respeitada. As áreas mais estreitas da superfície a cortar deverão ser delimitadas através da correspondente colocação do fio metálico limitador.

Se duas superfícies a cortar estiverem ligadas entre si por uma área estreita transitável, poderá ser instalada uma travessa. (⇒ 12.11)



A distância do fio mínima é de **44 cm**.

Isto origina a seguinte necessidade de espaço em **locais estreitos**:

- entre obstáculos altos com mais de +/- 1 cm de altura, tais como muros **100 cm**,

- entre superfícies transitáveis contíguas com um desnível inferior a +/- 1 cm, como, por exemplo, passeios **44 cm**.

12.8 Instalar trajetos de ligação

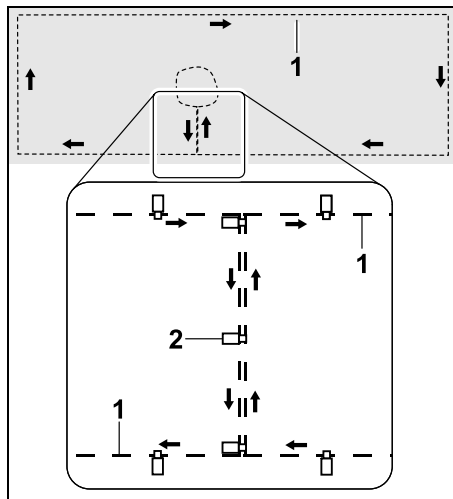
O robot cortador de relva ignorará o sinal de fio de delimitação se os fios forem colocados paralelamente próximos um do outro. É necessário instalar trajetos de ligação

- se pretender instalar superfícies circundantes. (⇒ 12.10)
- se forem necessárias superfícies de bloqueio. (⇒ 12.9)



A STIHL recomenda a colocação de trajetos de ligação em conjunto com as respetivas superfícies de bloqueio ou superfícies circundantes durante a colocação dos fios.

No caso de uma instalação posterior, o laço dos fios deverá ser separado. É necessário ligar em seguida os trajetos de ligação através dos conetores com fio fornecidos. (⇒ 12.16)



Nos trajetos de ligação, se o fio metálico limitador (1) for colocado em paralelo, os fios não poderão cruzar-se e terão de ficar próximos um do outro. Fixe os trajetos de ligação ao solo com uma quantidade suficiente de pregos de fixação (2).

12.9 Superfícies de bloqueio

As superfícies de bloqueio deverão ser instaladas

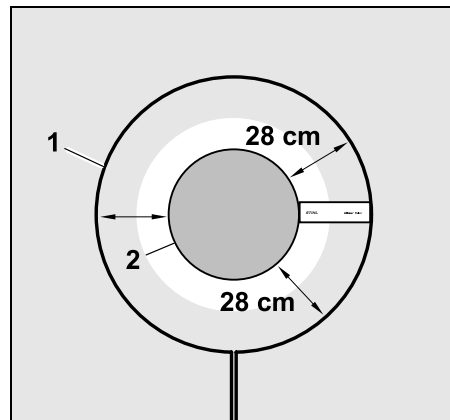
- em torno de obstáculos que o robot cortador de relva não possa tocar,
- em torno de obstáculos que não sejam suficientemente estáveis,
- em torno de obstáculos que sejam demasiado pequenos.
Altura mínima: 8 cm

A STIHL recomenda

- a remoção de obstáculos ou a sua delimitação com superfícies de bloqueio.

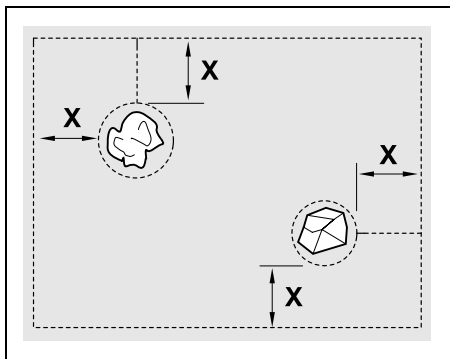
- Verifique as superfícies de bloqueio após a primeira instalação ou depois de efetuar alterações na instalação do fio metálico utilizando o comando "Testar margem". (⇒ 11.13)

Distância para a colocação do fio metálico limitador em torno de uma superfície de bloqueio: **28 cm**



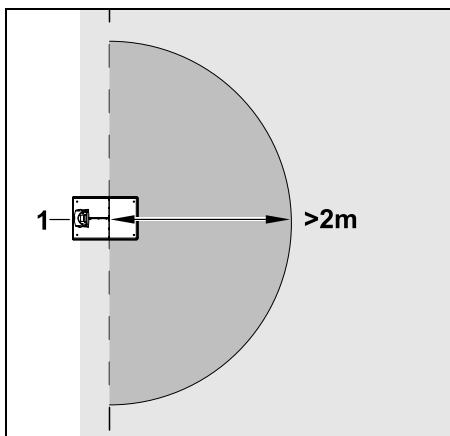
O robot cortador de relva contorna o obstáculo (2) ao longo do fio metálico limitador (1) sem colidir.

Para garantir uma operação estável, as superfícies de bloqueio devem ser essencialmente circulares e não devem apresentar formas ovais, ângulos ou reentrâncias.

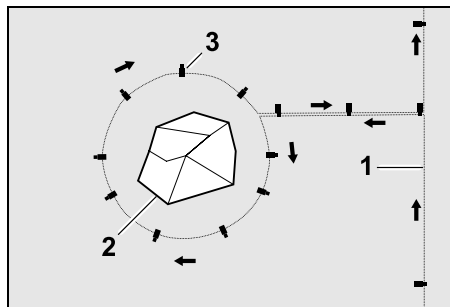


As superfícies de bloqueio têm de ter um **diâmetro mínimo** de 56 cm. A **distância relativamente à margem (X)** deve ser superior a 44 cm.

i **Recomendação:**
As superfícies de bloqueio devem ter um diâmetro máximo de 2 a 3 m.



No sentido de não perturbar o acoplamento, não é permitido instalar qualquer superfície de bloqueio num raio de, pelo menos, **2 m** em torno da unidade de acoplamento (1).

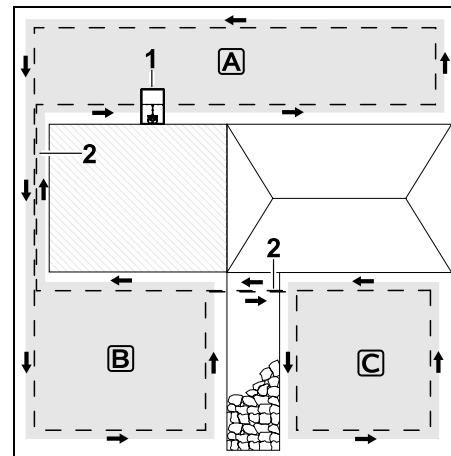


Guie o fio metálico limitador (1) da borda até ao obstáculo, coloque-o à distância correta em torno do obstáculo (2) e fixe-o ao solo com um número suficiente de pregos de fixação (3). Em seguida, coloque novamente o fio metálico limitador na borda.

Num trajeto de ligação, o fio metálico limitador deverá ser colocado entre o obstáculo e a borda **em paralelo, lado a lado**. É importante manter o sentido da colocação em torno da superfície de bloqueio (⇒ 12.8)

12.10 Superfícies circundantes

As superfícies circundantes são áreas da superfície a cortar que não podem ser processadas pelo robot cortador de relva **de forma totalmente automática**, pois o acesso não é permitido. Desta forma, é possível contornar várias superfícies a cortar separadas com um único fio metálico limitador. É necessário levar manualmente o robot cortador de relva de uma superfície a cortar para a outra. O processo de corte é acionado no menu "Início" (⇒ 11.5).



A unidade de acoplamento (1) é instalada na superfície a cortar **A**, a qual é processada de forma totalmente automática segundo o plano de corte. As superfícies circundantes **B** e **C** estão ligadas por trajetos de ligação (2) com as superfícies a cortar **A**. É necessário colocar o fio metálico limitador na mesma direção em todas as superfícies – não cruze o fio metálico limitador nos trajetos de ligação.

- Ative as superfícies circundantes no menu "Mais – Ajustes – Instalação". (⇒ 11.13)

12.11 Travessas

Se pretender cortar a relva de várias superfícies a cortar (por exemplo, superfícies a cortar à frente e atrás da casa), é possível instalar uma travessa para as ligar. Como tal, poderá trabalhar **automaticamente** todas as superfícies a cortar.

i Nas travessas, a relva só é cortada com a passagem do fio metálico limitador. Se necessário, ative o corte automático da margem ou corte manualmente a área da travessa com regularidade. (⇒ 11.13)

Se a instalação contiver travessas, desligue o desvio do caminho de recolha (corredor) (⇒ 11.13) ou instale fios de procura. (⇒ 12.12)

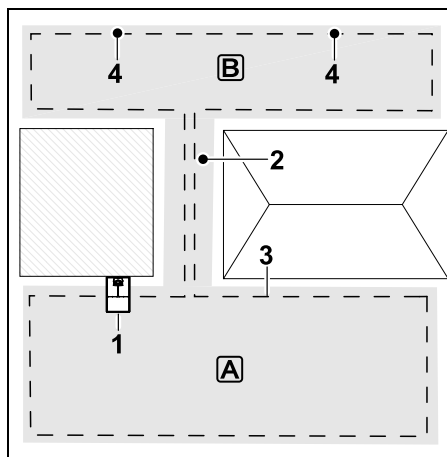
As distâncias do fio indicadas e o modelo das travessas são determinados com base na colocação do fio metálico limitador na superfície do relvado. Se o fio metálico limitador estiver colocado a grande profundidade, por exemplo, por baixo de pavimento, as medidas serão diferentes. Verifique o funcionamento e, se necessário, ajuste a colocação do fio.

Pré-requisitos:

- **Largura mínima** entre obstáculos fixos na área da travessa 88 cm, entre objetos transitáveis 22 cm.

i No caso de travessas mais compridas, deverá ser tomada em consideração uma necessidade de espaço ligeiramente superior, dependendo das propriedades do solo. Sempre que possível, as travessas mais compridas deverão ser instaladas numa posição central entre obstáculos.

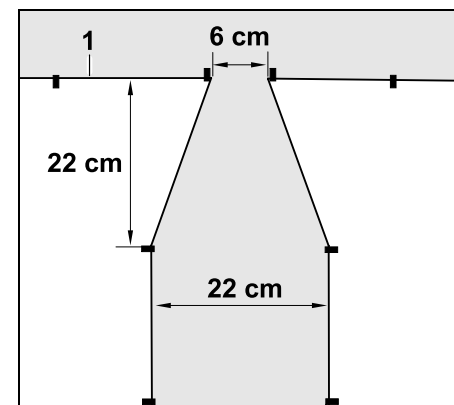
- A travessa é livremente transitável.
- Na área da segunda superfície a cortar, é definido, pelo menos, 1 **ponto inicial**. (⇒ 11.14)



A unidade de acoplamento (1) é instalada na superfície a cortar **A**. A superfície a cortar **B** está ligada por uma travessa (2) à superfície a cortar **A**. O fio metálico limitador (3) pode ser continuamente percorrido pelo robot cortador de relva. Para processar a superfície a cortar **B**, deverão ser definidos pontos iniciais (4). (⇒ 11.14)

Os diferentes processos de corte começam em seguida nos pontos iniciais (frequência inicial), dependendo da definição.

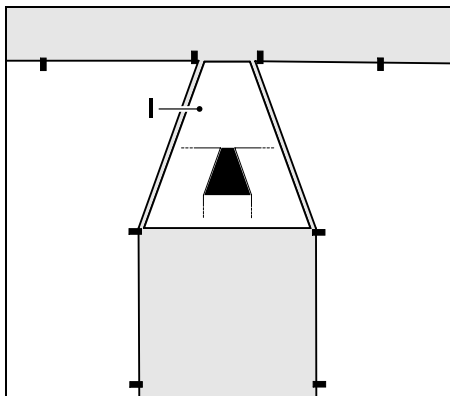
Instalar o início e o fim da travessa:



O fio metálico limitador (1) deverá ser colocado em forma de funil no início e no fim de uma travessa, conforme ilustrado. Deste modo, evita-se que o robot cortador de relva siga involuntariamente para a travessa durante o processo de corte.

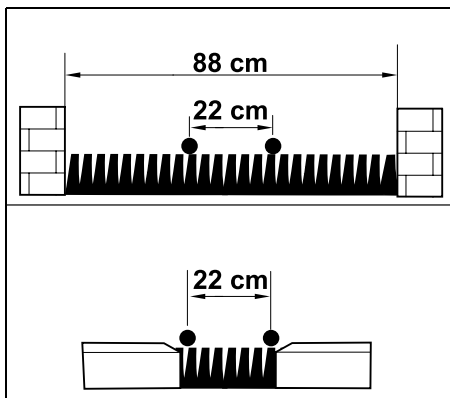
i As dimensões dependem do tipo de terreno e de ambiente. Nas travessas com início ou fim em forma de funil, verifique sempre se o robot cortador de relva também as consegue percorrer.

Coloque o fio metálico limitador, em linha reta, à direita e à esquerda da entrada da travessa durante aproximadamente um comprimento do aparelho.



Utilize o modelo de travessas (I) fornecido para a instalação da entrada e saída em forma de funil.

Instalar a travessa:

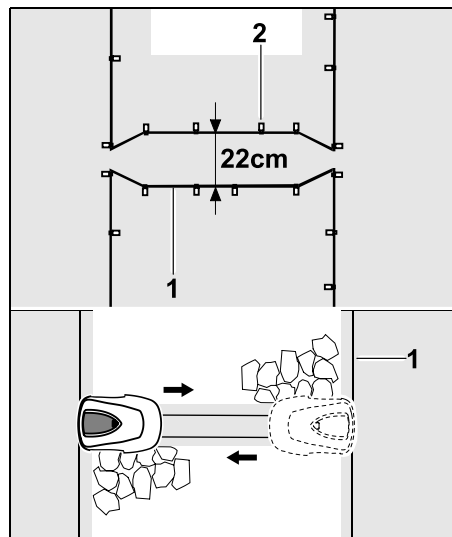


Distância do fio nas travessas: **22 cm**

Isto origina a seguinte necessidade de espaço:

- entre obstáculos altos (com mais de 1 cm de altura – por exemplo, muros): **88 cm**,

- entre passeios ou obstáculos transitáveis (com menos de 1 cm de altura – por exemplo, caminhos): **22 cm**.



Nas travessas, o fio metálico limitador (1) é colocado de forma paralela e é fixado ao solo com uma quantidade suficiente de pregos de fixação (2). Deverá ser montada uma entrada e uma saída em forma de funil no início e no fim da travessa.

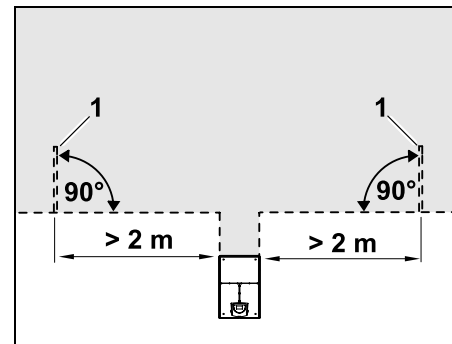
12.12 Circuitos de procura para o desvio do regresso

Se for ativado o desvio do regresso, devem ser utilizados fios de procura

- se tiver sido instalada uma unidade de acoplamento
- ou
- se houver travessas ou locais estreitos na superfície a cortar.

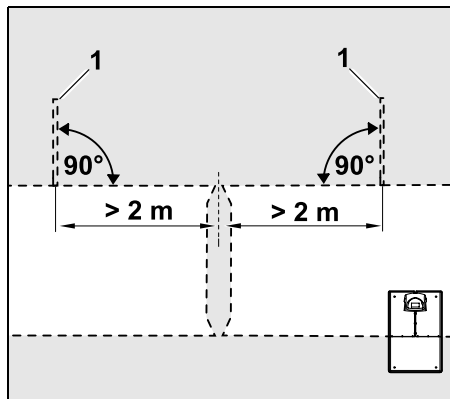
Modo de funcionamento:
Quando o robot cortador de relva segue o fio metálico limitador desviando-se para dentro, ele tem de atravessar durante este regresso por um fio de procura. Em seguida, o robot desloca-se para o fio metálico limitador e prossegue até à unidade de acoplamento.

Fios de procura numa unidade de acoplamento externa:



À esquerda e à direita ao lado do acesso à unidade de acoplamento externa, devem ser instalados dois fios de procura (1) num ângulo de 90° relativamente ao fio metálico limitador. Distância mínima relativamente ao acesso: **2 m**

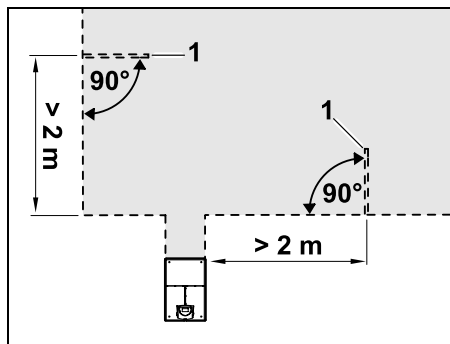
Fios de procura em travessas:



À esquerda e à direita ao lado do acesso à travessa, devem ser instalados dois fios de procura (1) num ângulo de 90° em relação ao fio metálico limitador. Isto deve ser sempre efetuado na parte da superfície a cortar que apenas está acessível através de uma travessa. Distância mínima relativamente ao acesso à travessa: **2 m**

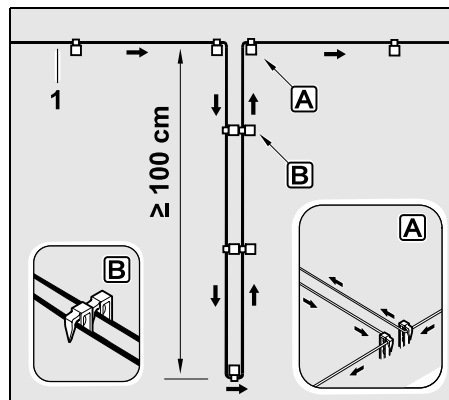
i Se estiverem instaladas várias travessas seguidas, então devem ser colocados fios de procura em cada superfície a cortar afetada.

Instalação de um fio de procura:



Os fios de procura não podem ser instalados nas áreas circundantes de cantos.

Distância mínima relativamente a cantos: **2 m**



Instale o fio de procura no relvado, conforme ilustrado. O fio metálico limitador (1) tem de ser fixado na margem **A** com dois pregos de fixação ao solo e sem se cruzar.

Comprimento mínimo: **100 cm**

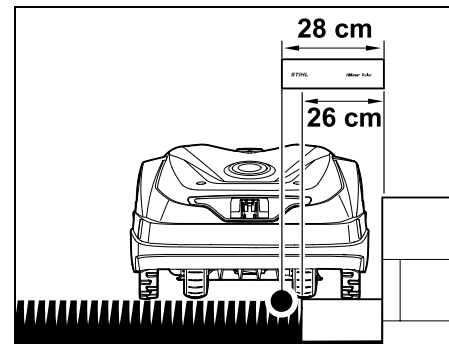
Colocação do prego a prego **B**

- Fixe o fio de procura ao solo com uma quantidade suficiente de pregos de fixação.

12.13 Corte exato da relva nos cantos

i Ao longo de obstáculos altos, surge uma tira com relva não cortada com uma largura máxima de 26 cm. Se necessário, é possível colocar pedras de canto em torno de obstáculos altos.

Largura mínima das pedras de canto:



Coloque o fio metálico limitador a uma distância de 28 cm do obstáculo. De modo a permitir que a relva da beira do relvado seja cortada na totalidade, as pedras de canto têm de ter uma largura mínima de 26 cm. Se forem colocadas pedras de canto mais largas, a beira do relvado será processada de forma ainda mais precisa.

12.14 Terrenos inclinados ao longo do fio metálico limitador

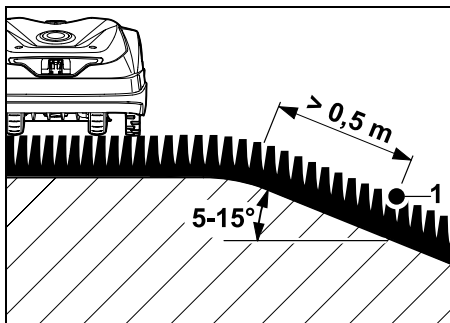
i **Nota:** Para uma instalação duradoura, recomendamos a colocação do fio metálico limitador até um declive máximo de 10° (17%). O fio pode ser colocado até um declive de 15° (27%). Contudo, isso pode aumentar significativamente o esforço e a adaptação necessários durante a colocação do fio. É igualmente fundamental indicar os declives nos esboços do jardim.

De modo a permitir que o robot cortador de relva corte a relva de uma área inclinada da superfície a cortar (declive até 15°) de forma automática e sem perturbações, é necessário instalar o fio

metálico limitador no terreno com uma distância mínima relativamente à extremidade do terreno.

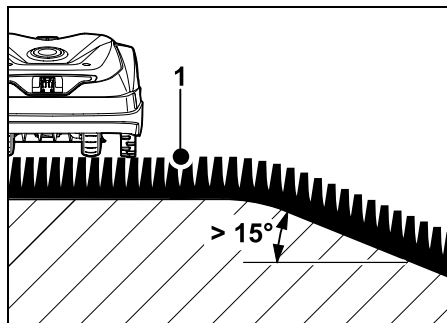
Em superfícies de água e pontos propícios a tropeções, como cantos e ressaltos, é necessário manter uma distância mínima de **100 cm**.

Área inclinada com um declive de 5° - 15°:



Caso exista uma área inclinada na superfície a cortar com um declive de 5° - 15°, o fio metálico limitador poderá ser colocado por baixo da extremidade do terreno na área inclinada, conforme ilustrado. A distância mínima (0,5 m) entre a extremidade do terreno e o fio metálico limitador tem de ser tomada em consideração para o correto funcionamento do robot cortador de relva.

Área inclinada com um declive > 15°:

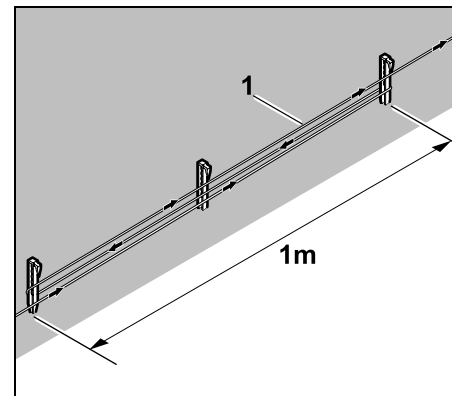


Caso exista uma área inclinada na superfície a cortar com um declive > 15°, na qual deva ser colocado um fio metálico limitador, será aconselhável colocar o fio metálico limitador (1) na superfície plana por cima da extremidade do terreno, conforme ilustrado. A relva na extremidade do terreno e na área inclinada não é cortada.

12.15 Instalar reservas de fio

As reservas de fio instaladas em intervalos regulares facilitam as correções necessárias, como, por exemplo, para modificar a posição da unidade de acoplamento ou o curso do fio metálico limitador.

As reservas de fio deverão ser instaladas em particular nas proximidades de passagens difíceis.

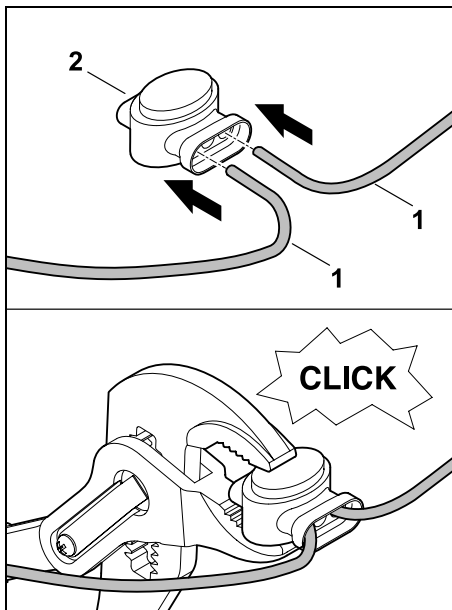


Coloque o fio metálico limitador (1) ao longo de um comprimento de aproximadamente 1 m entre 2 pregos de fixação, conforme ilustrado. Fixe a reserva de fio no solo ao centro com um prego de fixação adicional.

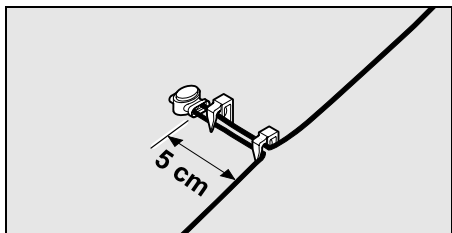
12.16 Utilizar conetores com fio

Para prolongar o fio metálico limitador ou para ligar extremidades soltas do fio, apenas podem ser utilizados os conetores com fio enchidos com gel disponíveis como acessório. Estes conetores com fio impedem o desgaste prematuro (por exemplo, corrosão nas extremidades do fio) e garantem uma ligação ideal.

Registe a posição dos conetores com fio no esboço da superfície a cortar. (⇒ 12.2)



Encaixe as extremidades soltas e não descarnadas do fio (1) nos conetores com fio (2) até ao encosto. Comprima os conetores com fio com um alicate adequado, garantindo o engate correto.



Para o alívio de tração, fixe o fio metálico limitador no solo com dois pregos de fixação conforme ilustrado.

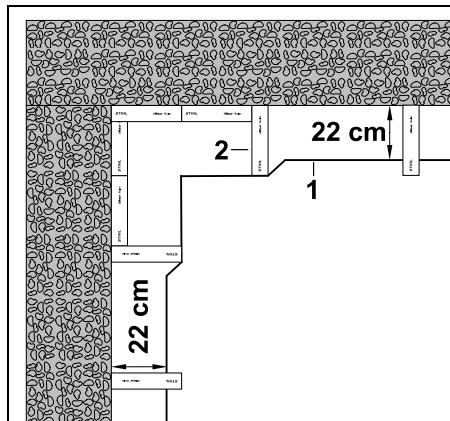
12.17 Distâncias estreitas da margem

Em trajetos retos, mas não em cantos, é possível reduzir a distância do fio relativamente a um obstáculo alto em **22 cm**. Deste modo, obtém-se uma maior superfície cortada.

Durante o percurso na margem (⇒ 9.12), (⇒ 11.13), certifique-se de que é mantida distância suficiente (no mínimo, 5 cm) entre o robot cortador de relva e os obstáculos. Se necessário, aumente a distância do fio relativamente aos obstáculos.

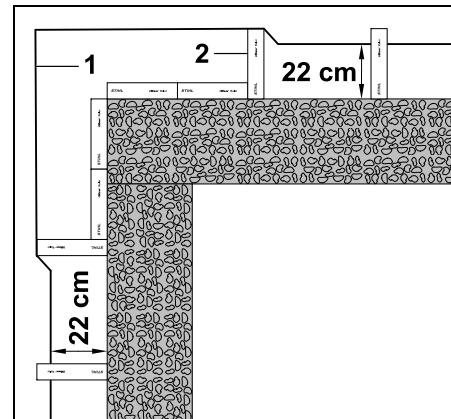
i É imprescindível indicar as distâncias estreitas da margem no esboço do jardim. (⇒ 12.2)

Distâncias estreitas da margem no canto interior:



Coloque o fio metálico limitador (1) no canto interior conforme ilustrado, utilizando uma régua iMOW® (2).

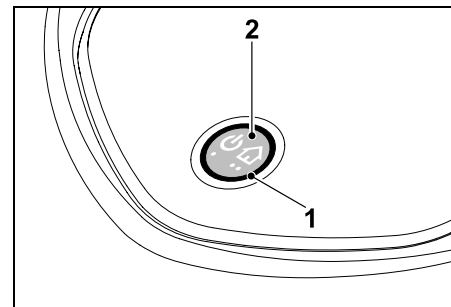
Distâncias estreitas da margem no canto exterior:



Coloque o fio metálico limitador (1) no canto exterior conforme ilustrado, utilizando uma régua iMOW® (2).

13. Unidade de acoplamento

13.1 Elementos de comando da unidade de acoplamento



Um LED vermelho circular (1) fornece informações sobre o estado da unidade de acoplamento e do sinal de fio.

Botão de funções (2):

- Ligar e desligar a unidade de acoplamento
- Ativar o regresso
- Ativar a procura de quebra do fio

O LED não acende:

- Unidade de acoplamento e sinal de fio desligados.

O LED acende-se de forma contínua:

- Unidade de acoplamento e sinal de fio ligados.
- O robot cortador de relva não está acoplado.

O LED pisca lentamente (2 segundos ligado – brevemente desligado):

- O robot cortador de relva está acoplado. Se necessário, a bateria será carregada.
- Unidade de acoplamento e sinal de fio ligados.

O LED pisca rapidamente:

- Fio metálico limitador interrompido – Quebra de fio ou fio não corretamente ligado à unidade de acoplamento. (⇒ 16.6)

LED acende-se 3 segundos, seguindo-se 1 segundo de pausa:

- Regresso ativado.

O LED faz 3 sinais de luz breves, 3 sinais de luz longos, 3 sinais de luz breves, seguidos de cerca de 5 segundos de pausa (sinal de SOS):

- Erro na unidade de acoplamento.

Ligar e desligar a unidade de acoplamento:



No modo automático, a unidade é ligada e desligada de forma automática.

Se o robot cortador de relva não estiver acoplado, a unidade de acoplamento é ativada **premindo brevemente o botão**. O sinal de fio permanece ativo durante 48 horas, desde que o robot cortador de relva não tenha sido acoplado anteriormente.

Se premir o botão por mais de **2 segundos**, a unidade de acoplamento é desligada.

Ativar o regresso:



Durante o processo de corte, prima brevemente o botão 2 vezes no espaço de 2 segundos.

O robot cortador de relva conclui o processo de corte em curso, procura o fio metálico limitador e regressa à unidade de acoplamento, de modo a carregar a bateria. No tempo de atividade em curso, não ocorre mais nenhum processo de corte.



O regresso mantém-se ativo até ao robot cortador de relva estar acoplado. O regresso pode ser concluído premindo novamente 2 vezes o botão na unidade de acoplamento.

14. Indicações sobre cortar a relva

14.1 Generalidades

O robot cortador de relva é concebido para o processamento automático de relvados. A relva é mantida curta através de um corte contínuo. O resultado é um relvado mais bonito e denso.

Os relvados que não tenham sido previamente cortados com um cortador de relva convencional apenas serão corretamente processados após vários processos de corte. Só se obtém uma imagem de corte perfeita ao fim de alguns processos de corte, especialmente no caso de relva ligeiramente mais alta.

Com tempo quente e seco, a relva não deverá ser mantida demasiado curta, pois ficará queimada pelo sol, ganhando, assim, um aspeto feio.

Com uma lâmina afiada, a imagem de corte é mais bonita do que com uma lâmina embotada, devendo, como tal, ser substituída com regularidade.

14.2 Mulching

O robot cortador de relva é um cortador de mulching.

Durante o mulching, as vergôntes continuam a ser trituradas após o corte no carácter do mecanismo de corte. Em seguida, são sopradas de volta para a relva, onde ficam e apodrecem.

O material a cortar finamente triturado devolve à relva nutrientes orgânicos e, dessa forma, funciona como adubo natural. A necessidade de adubo é significativamente reduzida.

14.3 Tempos de atividade

No tipo de plano de corte "Padrão", o robot cortador de relva corta a relva durante todo o tempo de atividade, sendo apenas interrompido por processos de corte.

No tipo de plano de corte "Dinâmico", durante os tempos de atividade, o robot cortador de relva pode sair da unidade de acoplamento a qualquer momento e cortar a relva. Como tal, durante esses períodos, ocorrem **processos de corte, processos de carga e fases de repouso**. O robot cortador de relva distribui automaticamente os processos de corte e de carga necessários pelo intervalo de tempo disponível.

Durante a instalação, são automaticamente distribuídos tempos de atividade por toda a semana. São tomadas em consideração reservas de tempo, garantindo dessa forma os melhores cuidados com o relvado, mesmo quando não é possível realizar processos de corte isolados (por exemplo, devido a chuva).



Terceiros têm de se manter afastados da zona de risco durante os tempos de atividade. Os tempos de atividade deverão ser adaptados em conformidade. Respeite igualmente a legislação municipal vigente relativa a robots cortadores de relva e as indicações do capítulo "Para sua segurança" (⇒ 6.1) e altere os tempos de atividade no menu "Plano corte". (⇒ 11.7) Deverá informar-se em particular junto das autoridades competentes sobre as horas diurnas e noturnas em que o aparelho poderá ser utilizado.

14.4 Duração de corte

A duração de corte indica durante quantas horas por semana a relva deverá ser cortada. A duração de corte pode ser aumentada ou diminuída. (⇒ 11.7)

A duração de corte corresponde ao período durante o qual o robot cortador de relva corta a relva. Os períodos de carga da bateria não são contabilizados para a duração de corte.

Na primeira instalação, o robot cortador de relva calcula automaticamente a duração de corte com base na dimensão indicada da superfície a cortar. Em relvados normais, este valor de referência é determinado com base em condições de tempo seco.

Desempenho de superfície:

Para 100 m², o robot cortador de relva precisa em média de 100 minutos.

14.5 Ponto de recolha



O robot cortador de relva reconhece a sua localização com a ajuda do recetor GPS incorporado. O robot cortador de relva guarda as coordenadas do ponto mais a norte, sul, este e oeste durante o percurso na margem para verificação da colocação do fio (⇒ 9.12) e a programação dos pontos iniciais (⇒ 11.14).

Esta superfície é definida como o ponto de recolha e é aqui que o robot cortador de relva deve ser utilizado. As coordenadas são atualizadas em cada repetição de um percurso na margem.

Com a **proteção GPS** ativada, o proprietário do aparelho é informado quando o aparelho é colocado em funcionamento fora do ponto de recolha. Além disso, é também pedido o código PIN no visor do robot cortador de relva.

15. Colocar o aparelho em funcionamento

15.1 Preparativos

-  Está disponível um assistente de instalação para a **primeira instalação**. (⇒ 9.)
-  O robot cortador de relva deve ser carregado e utilizado a uma temperatura ambiente entre +5 °C e +40 °C.
- Instalar a unidade de acoplamento (⇒ 9.8)
- Coloque o fio metálico limitador (⇒ 9.9) e ligue-o (⇒ 9.10)

- Remova objetos estranhos (por exemplo, brinquedos, ferramentas) da superfície a cortar
- Carregar a bateria (⇒ 15.7)
- Acertar a data e a hora (⇒ 11.10)
- Verifique e, se necessário, adapte o plano de corte, garantindo em particular o afastamento de terceiros da zona de risco durante os tempos de atividade. (⇒ 11.7)

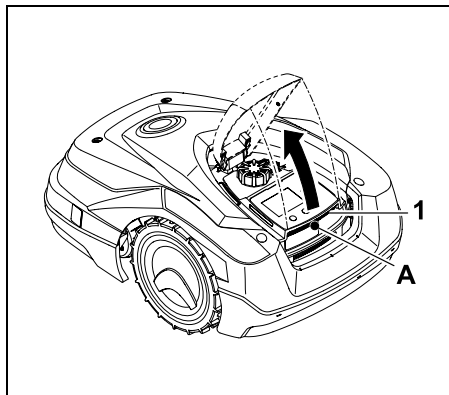
i Antes da utilização do robot cortador de relva, corte a relva muito alta de forma curta com um cortador de relva convencional (por exemplo, após um intervalo mais longo).

15.2 Tampa

O robot cortador de relva está equipado com uma tampa, a qual protege o visor das condições atmosféricas e de uma utilização inadvertida. Se a tampa for aberta durante uma utilização do robot cortador de relva, o processo será interrompido e a lâmina de corte e o robot cortador de relva pararão.

Abrir a tampa:

i Por motivos de segurança, é necessário premir o botão Stop durante o funcionamento do robot cortador de relva antes de abrir a tampa.



Pegue na tampa (1) pelo ponto de fixação (A) e solte-a para cima com um ligeiro puxão. Abra a tampa até ao encosto.

i A tampa aberta pode ser removida do aparelho para cima. Esta construção destina-se a garantir a segurança: desta forma, garante-se que o aparelho não é elevado e transportado pela tampa.

Fechar a tampa:

Oriente cuidadosamente a tampa para baixo e deixe-a engatar.

i O robot cortador de relva apenas pode ser colocado em funcionamento com a tampa engatada por completo.

15.3 Adaptar a programação

A programação atual pode ser consultada no **Plano de corte** ou na **Aplicação iMOW®**. (⇒ 11.7)

O plano de corte é calculado durante a instalação ou durante a criação de um novo plano de corte, com base na dimensão da superfície a cortar.

Os **Tempos ativid.** e a **Duração de corte** podem ser alterados individualmente. No tipo de plano de corte **Padrão**, o robot cortador de relva corta a relva e carrega exatamente durante os tempos de atividade. No tipo de plano de corte **Dinâmico**, os processos de corte necessários são distribuídos automaticamente pelos possíveis tempos de atividade. Se necessário, decorrerão igualmente vários processos de corte e de carga durante um tempo de atividade. Caso pretenda, a margem da superfície a cortar será automaticamente cortada em intervalos regulares. (⇒ 11.13)

São possíveis, no máximo, três diferentes tempos de atividade por dia. (⇒ 14.3)

Se pretender que o robot cortador de relva percorra determinadas áreas da superfície a cortar de forma assistida, deverão ser definidos pontos iniciais específicos. (⇒ 11.14)

i Quando é seleccionado o tipo de plano de corte **Dinâmico**, em determinadas circunstâncias (por exemplo, condições atmosféricas favoráveis ou intervalo de tempo generoso), não são utilizados todos os tempos de atividade para obter os melhores cuidados com o relvado.

Alteração dos **tempos de atividade**: (⇒ 11.7)

- Tempos de atividade suplementares para processos de corte adicionais
- Adaptação do intervalo de tempo, de modo a evitar, por exemplo, cortar a relva de manhã ou durante a noite.
- Suprimir tempos de atividade individuais, pois a superfície a cortar foi utilizada, por exemplo, para uma festa.

Aumentar a **duração de corte**: (⇒ 11.7)

- Existem áreas que não são suficientemente cortadas, por exemplo, porque a superfície a cortar é muito sinuosa.
- Crescimento intensivo da relva no período de crescimento
- Relva particularmente densa

Reduzir a **duração de corte**: (⇒ 11.7)

- Crescimento reduzido da relva devido a calor, frio ou seca

Criar um **novo plano de corte**: (⇒ 11.7)

- A dimensão da superfície a cortar foi alterada.

Nova instalação: (⇒ 11.13)

- Novo local da unidade de acoplamento.
- Primeira colocação em funcionamento numa nova superfície a cortar

15.4 Cortar a relva no modo automático

- Ligar o modo automático:
Com o modo automático ligado, é apresentado no visor o símbolo do modo automático, para além do símbolo da bateria. (⇒ 11.7)
- **Iniciar** processos de corte:
No tipo de plano de corte **padrão**, o robot cortador de relva arranca no início de cada tempo de atividade e corta o relvado.
No tipo de plano de corte **Dinâmico**, os processos de corte são automaticamente distribuídos pelos tempos de atividade disponíveis. (⇒ 14.3)



- **Terminar** processos de corte:
Quando a bateria fica descarregada, o robot cortador de relva segue automaticamente para a unidade de acoplamento. (⇒ 15.6)
É possível terminar manualmente o processo de corte em curso em qualquer altura com o **botão STOP** ou através do menu "**Regresso**". (⇒ 5.1)
O processo de corte em curso também é concluído de imediato com a ativação do **Regresso** na unidade de acoplamento. (⇒ 13.1)
O processo de corte pode ainda ser terminado com a aplicação – o robot cortador de relva é enviado para a unidade de acoplamento. (⇒ 10.)



As superfícies a cortar às quais o robot cortador de relva aceda através de uma **travessa** só são cortadas quando são definidos pontos iniciais nessa superfície.

15.5 Cortar a relva independentemente dos tempos de atividade

- Ative o robot cortador de relva acoplado premindo um botão. Deste modo, a unidade de acoplamento é igualmente ligada.

Superfície a cortar com unidade de acoplamento:

- Cortar a relva de imediato:
Selecione o comando **Iniciar corte** (⇒ 11.5).
O processo de corte tem início de imediato e dura até à hora escolhida. Caso exista, pode ser escolhido um ponto inicial.

- Inicie o corte com a aplicação. (⇒ 10.)
O processo de corte começa à hora de início escolhida e dura até ao momento final escolhido. Caso exista, pode ser escolhido um ponto inicial.
- Terminar o corte manualmente:
É possível terminar o processo de corte em curso em qualquer altura com o **botão STOP** ou através do menu "**Regresso**" (⇒ 11.6). (⇒ 5.1)
O processo de corte em curso é igualmente concluído de imediato com a ativação do **Regresso** na unidade de acoplamento. (⇒ 13.1)
O processo de corte pode ainda ser terminado com a aplicação – o robot cortador de relva é enviado para a unidade de acoplamento. (⇒ 10.)



Se necessário, o robot cortador de relva carrega a bateria entretanto e, em seguida, continua o processo de corte até ao momento final escolhido.

Superfícies circundantes:

- Ative sempre o robot cortador de relva na unidade de acoplamento. Deste modo, a unidade de acoplamento é igualmente ativada.
- Conduza o robot cortador de relva até à superfície circundante.
- Ative a superfície circundante. (⇒ 12.10)
- Cortar a relva de imediato:
Selecione o comando **Iniciar corte** (⇒ 11.5).
O processo de corte tem início de imediato e dura até à hora escolhida.

- Terminar o corte:
Se o momento final escolhido for atingido, o robot cortador de relva dirige-se ao fio metálico limitador e imobiliza-se. Leve o aparelho para carregar a bateria na unidade de acoplamento e confirme a mensagem apresentada. (⇒ 24.)
É possível terminar manualmente o processo de corte em curso em qualquer altura com o **botão STOP**. (⇒ 5.1)



i Se a bateria ficar descarregada antes do momento final escolhido, o processo de corte é encurtado em conformidade.

15.6 Acoplar o robot cortador de relva

Acoplar no modo automático:

O robot cortador de relva segue automaticamente para a unidade de acoplamento quando o tempo de atividade chega ao fim ou a bateria fica descarregada.

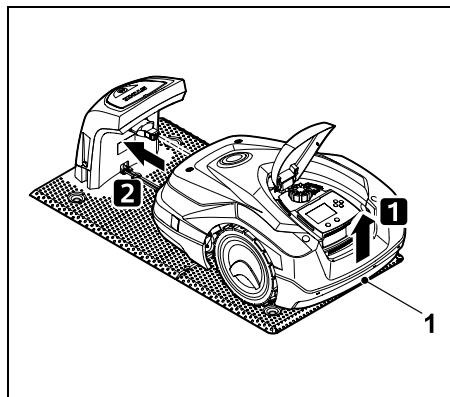
Forçar o acoplamento:

- Se necessário, ligue a unidade de acoplamento (⇒ 13.1) 
- Ative o regresso. (⇒ 11.6)
Durante um processo de corte, também é possível ativar o **Regresso** na unidade de acoplamento. 
- O robot cortador de relva também pode ser enviado para a unidade de acoplamento com a aplicação. (⇒ 10.)

i No tempo de atividade em curso, não ocorre mais nenhum processo de corte após o acoplamento.


Acoplamento manual:

- Empurre manualmente o robot cortador de relva até à unidade de acoplamento.



Levante ligeiramente o robot cortador de relva pela pega de transporte (1) de modo a aliviar as rodas de acionamento. Empurre o aparelho até à unidade de acoplamento apoiado nas rodas dianteiras.

15.7 Carregar a bateria

 Carregue a bateria exclusivamente através da unidade de acoplamento.
Nunca desmonte a bateria nem carregue a bateria com um carregador externo.


Carregamento automático:


Ao **cortar a relva**, o carregamento ocorre automaticamente no final de cada processo de corte, quando o robot cortador de relva é acoplado à unidade de acoplamento.

Iniciar manualmente o processo de carga:

- Após uma utilização **em superfícies circundantes**, coloque o robot cortador de relva na superfície a cortar e acople-o. (⇒ 15.6)
- Após a **interrupção de um processo de corte**, acople o robot cortador de relva. (⇒ 15.6)
- Se necessário, termine o standby do robot cortador de relva premindo um botão.
O processo de carga inicia automaticamente.

Processo de carga:

Durante o processo de carga, é apresentado na **Indicação de estado** o texto "Bateria a carregar". 


Em todos os restantes menus, é apresentada na área de indicação do visor o símbolo de uma ficha de rede em vez do símbolo da bateria. 

O processo de carga tem diferentes durações e é automaticamente adaptado à utilização seguinte.

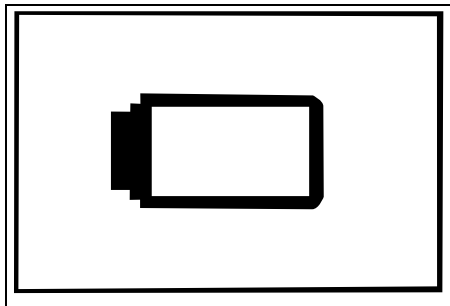
i Se houver problemas durante o carregamento, é apresentada uma mensagem correspondente no visor. (⇒ 24.)

A bateria apenas é carregada após passar abaixo de uma determinada tensão.

Estado de carga:

Na **indicação de estado**, é possível ler o estado de carga quando está selecionada a indicação correspondente. (⇒ 11.12) 

Em todos os restantes menus, o **Símbolo da bateria** na área de indicação do visor destina-se a indicar o estado de carga. (⇒ 11.3)



Se a carga da bateria for demasiado baixa, é apresentado o símbolo de bateria correspondente.

Neste caso, coloque o robot cortador de relva na unidade de acoplamento para carregar.

16. Manutenção



Perigo de ferimentos!

Antes de todos os trabalhos de manutenção e de limpeza no aparelho, leia cuidadosamente o capítulo "Para sua segurança" (⇒ 6.), especialmente o subcapítulo "Manutenção e reparações" (⇒ 6.9), e siga escrupulosamente todas as instruções de segurança.

Ative o bloqueio do aparelho antes de todos os trabalhos de manutenção ou de limpeza. (⇒ 5.2)



Antes de iniciar trabalhos de manutenção na unidade de acoplamento, remova a ficha de rede.



Use luvas em todos os trabalhos de manutenção, especialmente em trabalhos na lâmina de corte.



16.1 Plano de manutenção

Os intervalos de manutenção são orientados pelas horas de funcionamento, entre outras coisas. É possível consultar o respetivo contador "Horas corte" no menu "Mais - Informação". (⇒ 11.18)

Os intervalos de manutenção indicados deverão ser escrupulosamente respeitados.

Trabalhos de manutenção em dias com tempos de atividade:

- Verificar visualmente o estado geral do aparelho e da unidade de acoplamento.
- Verificar a indicação do visor – a hora atual e o início do próximo processo de corte.
- Verificar a superfície a cortar e, se necessário, remover os objetos estranhos.
- Verificar se a bateria está a ser carregada. (⇒ 15.7)

Trabalhos de manutenção semanais:

- Limpar o aparelho. (⇒ 16.2)
- Verificar visualmente se existem danos e desgaste na lâmina de corte, na fixação da lâmina e no mecanismo de corte (entalhes, fendas, pontos de fratura, etc.). (⇒ 16.3)

A cada 200 horas:

- Substituir a lâmina de corte. (⇒ 16.3)

Trabalhos de manutenção anuais:

- A STIHL recomenda uma inspeção anual nos meses de inverno realizada pelos distribuidores oficiais STIHL. Nessa inspeção, é realizada em particular a manutenção da bateria, do sistema eletrónico e do software.



Para que o distribuidor oficial possa realizar corretamente todos os trabalhos de manutenção, altere o nível de segurança para "Nenhuma" ou comunique ao distribuidor oficial o código PIN utilizado.

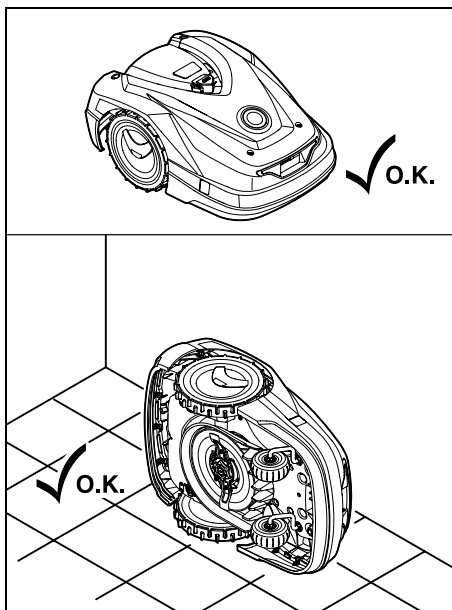
16.2 Limpar o aparelho

Um manuseamento cuidadoso protege o aparelho contra danos e aumenta a sua vida útil.

Posição de limpeza e manutenção:



Antes da limpeza, certifique-se de que o botão rotativo está corretamente montado. Caso contrário, poderá entrar água no aparelho.



Para limpar a **parte superior do aparelho** (capot, tampa), coloque o aparelho num piso plano, estável e horizontal. Para limpar a **parte inferior do aparelho** (lâmina de corte, mecanismo de corte), incline o robot cortador de relva para o lado esquerdo ou direito do aparelho conforme ilustrado e encoste-o a uma parede.

- Remova as sujidades com uma escova ou com um pano. Limpe também, em particular, a lâmina, os contactos de carga do robot cortador de relva e a unidade de acoplamento.
- Solte primeiro os restos de relva encrostados no cárter e no mecanismo de corte com uma tala de madeira.
- Se necessário, utilize um produto especial de limpeza (por exemplo, produto especial de limpeza STIHL).
- Desmonte o disco de arrastamento em intervalos regulares e remova restos de relva. (⇒ 16.6)



Com o tempo molhado, é necessário limpar o disco de arrastamento com maior frequência. A sujidade encrostada entre o disco de arrastamento e o cárter do mecanismo de corte provoca fricção e, como tal, origina um maior consumo de energia.

16.3 Verificar os limites de desgaste da lâmina de corte

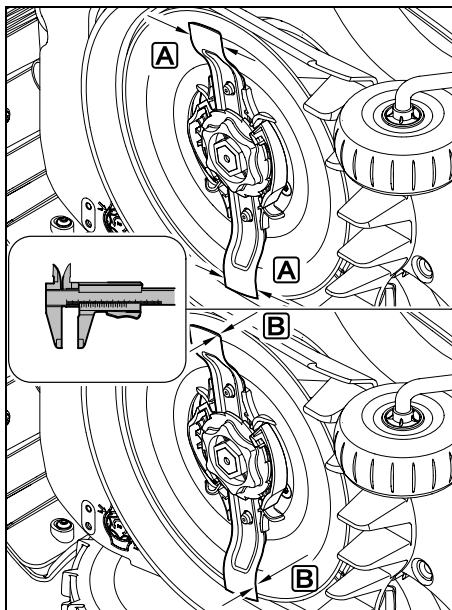


Perigo de ferimentos!

Uma lâmina de corte gasta pode partir e causar ferimentos graves. É, por isso, imprescindível respeitar as indicações para a manutenção das lâminas. As lâminas de corte sofrem um desgaste mais ou menos acentuado consoante o local e a duração da utilização. Se usar o aparelho sobre um chão arenoso ou com frequência em condições secas, as lâminas de corte estarão sujeitas a um maior esforço, desgastando-se acima da média.

É necessário substituir a lâmina de corte, pelo menos, a cada 200 horas de funcionamento. (⇒ 16.5)

- Ative o bloqueio do aparelho. (⇒ 5.2)
- Incline lateralmente o robot cortador de relva e encoste-o a uma parede estável de forma segura. Limpe cuidadosamente a lâmina de corte e o mecanismo de corte. (⇒ 16.2)



Verifique a **largura da lâmina** **A** e a **espessura da lâmina** **B** com uma correição de medição. Se a largura da lâmina de corte for inferior a **25 mm** ou se a espessura for inferior a **1,3 mm**, será necessário substituir a lâmina.

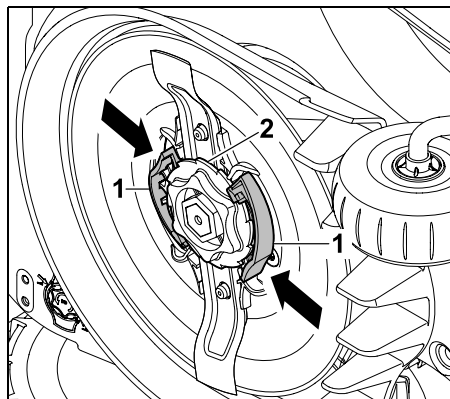
16.4 Desmontar e montar a lâmina de corte

- Ative o bloqueio do aparelho (⇒ 5.2) e use luvas.



- Incline lateralmente o robot cortador de relva e encoste-o a uma parede estável de forma segura. Limpe cuidadosamente a lâmina de corte e o mecanismo de corte. (⇒ 16.2)

Desmontar a lâmina de corte:



Pressione ambas as talas (1) do disco de arrastamento com uma mão e mantenha-as nessa posição. Desenrosque a porca de fixação (2) com a outra mão. Remova a lâmina de corte juntamente com a porca de fixação.



Montar a lâmina de corte:

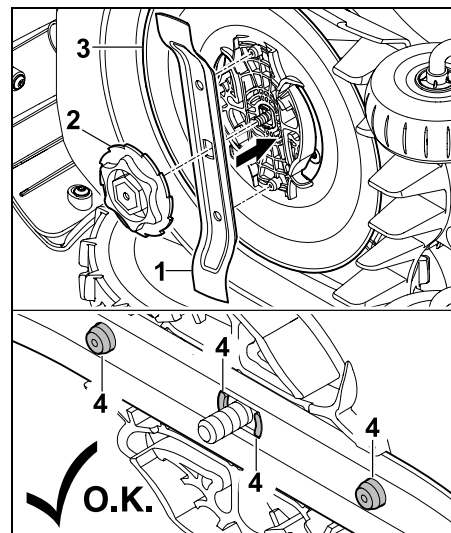


Perigo de ferimentos!

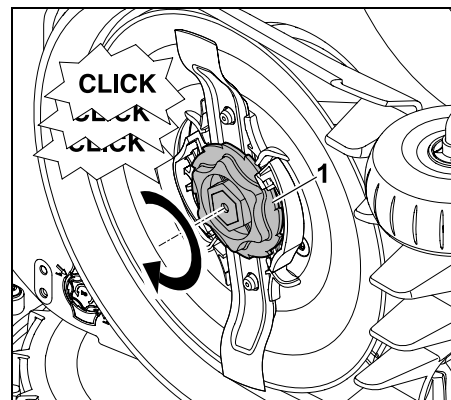
Antes da montagem, verifique se a lâmina apresenta danos. A lâmina terá de ser substituída se forem visíveis entalhes ou fendas, ou se for mais estreita do que 25 mm ou tiver uma espessura inferior a 1,3 mm num determinado ponto. (⇒ 16.3)

O **disco de arrastamento** e a **porca de fixação** terão de ser igualmente substituídos se estiverem danificados (por exemplo, partidos, gastos). É necessário, em particular, engatar bem a porca de fixação no disco de arrastamento.

- Limpe a lâmina, o disco de arrastamento e a porca de fixação antes da montagem.



Coloque a lâmina de corte (1) e a porca de fixação (2) no disco de arrastamento (3) conforme ilustrado. Tenha em atenção a posição correta das saliências de retenção (4) na lâmina de corte.



Enrosque a porca de fixação (1) até ao encosto. Serão audíveis vários cliques durante o aperto. Verifique se a lâmina de corte assenta de forma segura agitando-a cuidadosamente.

- Após a montagem de uma nova lâmina de corte, confirme a substituição da lâmina no menu "Assistência". (⇒ 11.17)

16.5 Afiar a lâmina de corte

Nunca reafie a lâmina de corte.

A STIHL aconselha a substituir **sempre** uma lâmina de corte embotada por uma nova.

i Apenas uma nova lâmina de corte equilibrada com a precisão necessária garante um funcionamento correto do aparelho e baixas emissões de ruído.

16.6 Montar e desmontar o disco de arrastamento

i Para limpar o mecanismo de corte, é possível desmontar o disco de arrastamento.

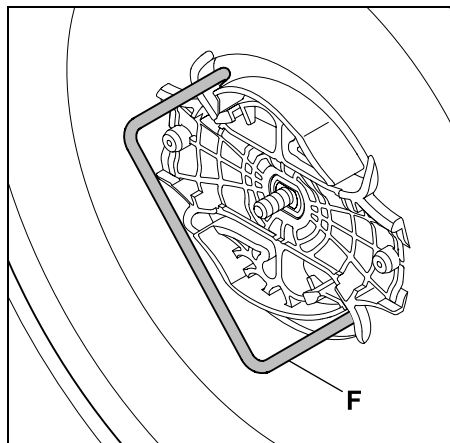
- Ative o bloqueio do aparelho (⇒ 5.2) e use luvas.



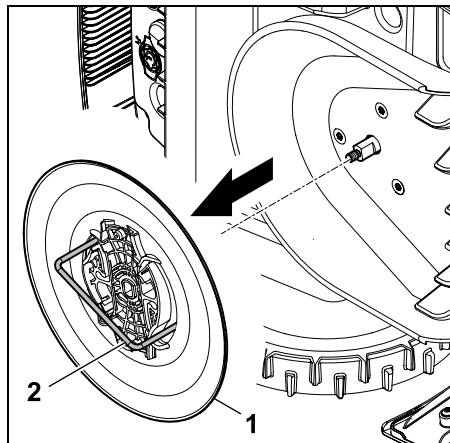
- Incline lateralmente o robot cortador de relva e encoste-o a uma parede estável de forma segura. Limpe cuidadosamente a lâmina de corte e o mecanismo de corte. (⇒ 16.2)

Desmontar o disco de arrastamento:

- Desmonte a lâmina de corte. (⇒ 16.4)

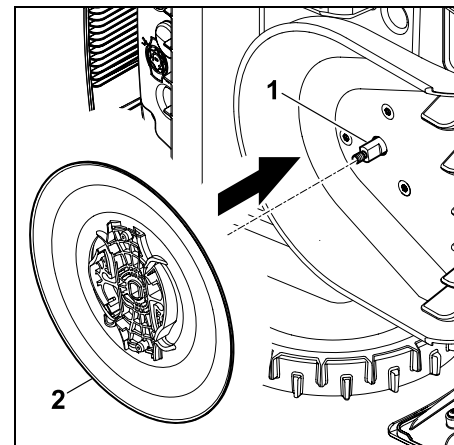


Introduza o extrator (F) e rode-o até ao encosto no sentido contrário ao dos ponteiros do relógio.



Apoie o aparelho com uma mão. Extraia o disco de arrastamento (1) puxando pelo extrator (2).

Montar o disco de arrastamento:



Limpe minuciosamente o eixo de lâminas (1) e o alojamento no disco de arrastamento (2). Insira o disco de arrastamento no eixo de lâminas até ao encosto.

- Monte a lâmina de corte. (⇒ 16.4)

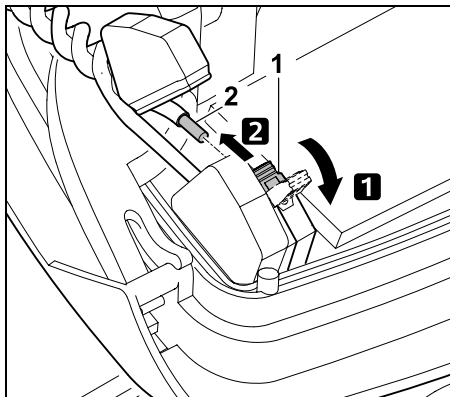
16.7 Procurar quebra do fio

i No caso de existir uma quebra do fio, o LED vermelho da unidade de acoplamento pisca rapidamente. (⇒ 13.1) É apresentada uma mensagem correspondente no visor do robot cortador de relva.

Caso não seja possível encontrar uma quebra do fio conforme descrito, contacte um distribuidor oficial.

- Antes da procura da quebra do fio, prima o botão da unidade de acoplamento **1 vez** (o LED continuará a piscar rapidamente).

- Remova a cobertura da unidade de acoplamento e abra o painel. (⇒ 9.2)



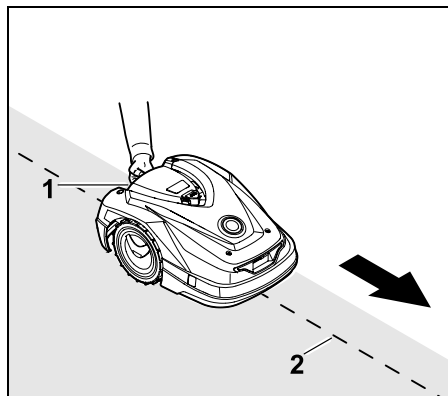
1 Abra a alavanca de fixação esquerda (1).

2 Retire a extremidade do fio (2) do bloco de terminais e volte a fechar a alavanca de fixação.

- Feche o painel e coloque a cobertura da unidade de acoplamento. (⇒ 9.2)

Em seguida, é descrita a procura de quebras de fio no sentido dos ponteiros do relógio, ou seja, o fio metálico limitador é percorrido no sentido dos ponteiros do relógio a partir da unidade de acoplamento. Se necessário, a procura pode ser igualmente realizada no sentido contrário ao dos ponteiros do relógio, mas, nesse caso, deverá retirar a extremidade do fio direita do bloco de terminais.

- No menu "Mais - Serviço", selecione o item "Procurar quebra fio" e confirme com OK. (⇒ 11.17)



Com o robô cortador de relva, verifique a margem da superfície a cortar **no sentido dos ponteiros do relógio** a partir da unidade de acoplamento. Para tal, levante ligeiramente o aparelho pela pega de transporte traseira (1) de modo a aliviar as rodas de acionamento. Siga o fio metálico limitador (2) com o robô cortador de relva apoiado nas rodas dianteiras. Certifique-se de que o fio metálico limitador (2) passa por baixo dos sensores de fio. Os sensores de fio estão protegidos à esquerda e à direita, estando montados na área frontal do robô cortador de relva. Em caso de procura da quebra do fio, é apresentada no visor a **intensidade do sinal**. O valor máximo verifica-se quando os sensores de fio estão posicionados de forma ideal sobre o fio metálico limitador.

Enquanto os sensores de fio receberem corretamente o sinal de fio, surgirá no visor o símbolo **Sinal de fio OK**.



Na área da quebra do fio, a intensidade do sinal diminui e é apresentado no visor o símbolo **Verificar sinal de fio**.

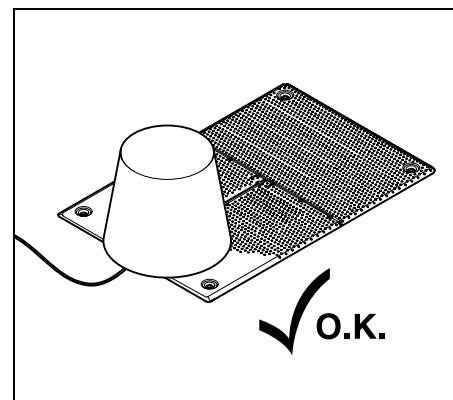


- Ligue o ponto da quebra em ponte com o auxílio de um conector com fio (⇒ 12.16). Se necessário, coloque novamente o fio metálico limitador na área do ponto da quebra.
- Volte a ligar a extremidade do fio esquerda. (⇒ 9.10)
- Se a quebra do fio tiver sido corretamente eliminada, acender-se-á o LED vermelho. (⇒ 13.1)

16.8 Arrumação e período de inverno

No caso de uma **imobilização** do robô cortador de relva (por exemplo, armazenamento temporário), tenha em conta os pontos seguintes:

- Carregar a bateria (⇒ 15.7)
- Colocar o robô cortador de relva em hibernação (⇒ 11.17)
- Desligue a ficha do transformador da corrente
- Limpe cuidadosamente todas as peças exteriores do robô cortador de relva e da unidade de acoplamento



Cubra a unidade de acoplamento com um balde adequado, fixando-o.

- O robot cortador de relva deve ser armazenado com as rodas fixas num compartimento fechado e com pouco pó. Certifique-se de que o aparelho está guardado fora do alcance de crianças.
- Armazene o robot cortador de relva apenas num estado operacionalmente seguro.
- Mantenha todos os parafusos apertados, substitua os avisos ilegíveis de perigo e advertência fixados no aparelho e verifique se existem danos ou desgaste em toda a máquina. Substitua peças gastas ou danificadas.
- As eventuais avarias do aparelho deverão ser sempre reparadas antes do armazenamento.

i Nunca pouse nem guarde objetos sobre o robot cortador de relva.

A temperatura do compartimento de arrumação não deve ser inferior a 5 °C.

Nova colocação em funcionamento do robot cortador de relva após uma imobilização mais prolongada:

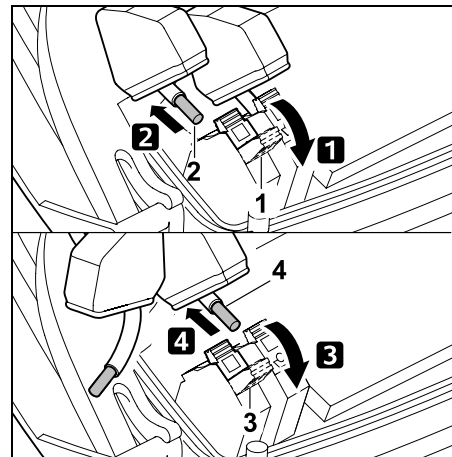
i Após uma imobilização mais prolongada, poderá ser necessário corrigir a data e a hora. Na colocação em funcionamento, são apresentadas as janelas de seleção correspondentes. Caso as janelas de seleção não sejam apresentadas automaticamente, verifique e, se necessário, corrija a data e a hora no menu "Ajustes". (⇒ 11.10)

- Prepare a superfície a cortar: Remova os objetos estranhos e corte a relva muito alta de forma curta com um cortador de relva convencional.
- Desbloqueie a unidade de acoplamento e ligue o transformador à corrente.
- Carregar a bateria (⇒ 15.7)
- Acople o robot cortador de relva e a unidade de acoplamento. (⇒ 9.11)
- Remova obstáculos e objetos estranhos da área da margem. Inicie o percurso na margem e verifique se as travessas e os locais estreitos estão transitáveis. (⇒ 11.13)
- Verifique e, se necessário, altere o plano de corte. (⇒ 11.7)
- Ligar o modo automático (⇒ 11.7)
- Se necessário, ative o modo de energia padrão (⇒ 11.10) e ligue a proteção GPS. (⇒ 5.9)

16.9 Desmontagem da unidade de acoplamento

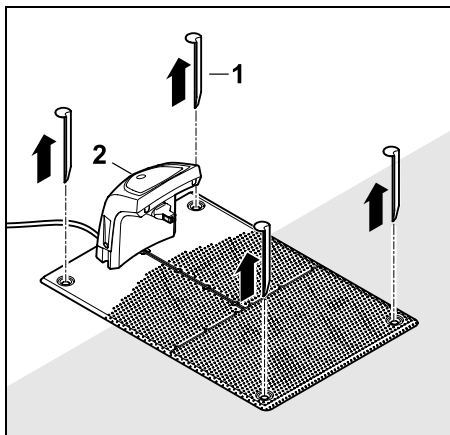
No caso de uma **imobilização prolongada** do robot cortador de relva (por exemplo, período de inverno), a unidade de acoplamento pode também ser desmontada.

- Prepare o robot cortador de relva para uma imobilização mais prolongada (⇒ 16.8)
- Desligue a ficha do transformador da corrente
- Remova a cobertura da unidade de acoplamento e abra o painel (⇒ 9.2)



- 1** Abra a alavanca de fixação direita (1).
- 2** Retire a extremidade do fio direito (2) do bloco de terminais. Volte a fechar a alavanca de fixação (1).
- 3** Abra a alavanca de fixação esquerda (3).
- 4** Retire a extremidade do fio esquerdo (4) do bloco de terminais. Volte a fechar a alavanca de fixação (3).

- Feche o painel (⇒ 9.2)
- Retire as extremidades do fio direita e esquerda, separadas uma da outra, da unidade de acoplamento
- Coloque a cobertura da unidade de acoplamento (⇒ 9.2)



Remova as estacas (1), retire a unidade de acoplamento (2) com o transformador ligado do relvado, limpe minuciosamente (com um pano húmido) e armazene.

- Armazene o robot cortador de relva com a unidade de acoplamento e o transformador num compartimento fechado, seco e com pouco pó na posição normal. Acople o robot cortador de relva na unidade de acoplamento. Certifique-se de que o aparelho está guardado fora do alcance de crianças.
- Proteja as extremidades livres do fio metálico limitador das influências ambientais, por exemplo, colando uma fita isoladora adequada.
- Quando voltar a montar a unidade de acoplamento, siga os passos efetuados durante a primeira instalação, em especial, a ligação das extremidades direita e esquerda do fio metálico limitador no lado correto. (⇒ 9.10)

17. Peças de reposição comuns

Lâmina de corte:
6301 702 0101

18. Acessórios

- Kit **STIHL S** para relvados até 500 m²
- Kit **STIHL L** para relvados de 2000 m² a 4000 m²
- Pregos de fixação **STIHL AFN 075**
- Fio metálico limitador **STIHL ARB 501**:
Comprimento: 500 m
Diâmetro: 3,4 mm
- Conector com fio **STIHL ADV 010**

Estão disponíveis mais acessórios para o aparelho.

Poderá encontrar informações mais pormenorizadas junto do seu distribuidor oficial STIHL, na Internet (www.stihl.com) ou no catálogo da STIHL.



Por motivos de segurança, só podem ser utilizados acessórios autorizados pela STIHL com o aparelho.

19. Minimização do desgaste e prevenção de danos

Indicações importantes sobre a manutenção e cuidados do grupo de produtos

Robot cortador de relva, acionado a bateria (STIHL RMI)

A empresa STIHL exclui-se de toda e qualquer responsabilidade por danos materiais e pessoais causados pelo incumprimento das indicações deste

manual de instruções, em especial no tocante à segurança, operação e manutenção, ou danos que ocorram em consequência da utilização de peças de acoplamento e peças de substituição não permitidas.

Siga imprescindivelmente as seguintes indicações importantes, a fim de evitar danos ou um desgaste excessivo do seu aparelho STIHL:

1. Peças de desgaste

Algumas peças do aparelho STIHL estão sujeitas a um desgaste normal, mesmo quando utilizadas devidamente e, dependendo do tipo e da duração da utilização, necessitam de ser substituídas oportunamente.

Entre estes, incluem-se:

- Lâmina de corte
- Bateria
- Pneus

2. Cumprimento das prescrições deste manual de utilização

A utilização, manutenção e armazenagem do aparelho STIHL devem ser realizadas tão cuidadosamente conforme descrito neste manual de utilização. Todos os danos causados pelo incumprimento das instruções de segurança, de funcionamento e de manutenção são da responsabilidade exclusiva do utilizador.

Isto aplica-se especialmente no caso de:

- manuseamento indevido da bateria (carga, armazenamento),
- ligação elétrica incorreta (tensão),
- alterações no produto não autorizadas pela STIHL,

- utilização de ferramentas ou de acessórios não permitidos nem adequados para o aparelho, bem como ferramentas e acessórios de qualidade inferior,
- utilização indevida do produto,
- utilização do aparelho em eventos desportivos e concursos,
- danos resultantes da utilização contínua do produto com peças defeituosas.

3. Trabalhos de manutenção

Todos os trabalhos mencionados no capítulo "Manutenção" têm de ser realizados regularmente.

Na medida em que estes trabalhos de manutenção não possam ser realizados pelo próprio utilizador, um distribuidor oficial deve-se-á encarregar da realização dos mesmos.

A STIHL recomenda a realização de trabalhos de manutenção e reparações apenas por um distribuidor oficial STIHL.

Os distribuidores oficiais STIHL beneficiam de ações de formação regulares e dispõem de informações técnicas.

Se estes trabalhos não forem realizados, poderão ocorrer danos, cuja responsabilidade caberá ao utilizador.

Entre estes, incluem-se:

- Danos no aparelho, em consequência de uma limpeza insuficiente ou incorreta,
- Danos por corrosão e outros danos resultantes de um armazenamento indevido,

- Danos no aparelho causados pela utilização de peças de reposição de má qualidade,
- Danos causados por uma manutenção não atempada ou insuficiente ou danos causados por trabalhos de manutenção ou de reparação que não tenham sido realizados nas oficinas de distribuidores oficiais.

20. Proteção do meio ambiente

As embalagens, o aparelho e seus acessórios são fabricados a partir de materiais recicláveis e deverão ser eliminados como tal.

A eliminação de resíduos de materiais de forma separada e adequada à conservação do meio ambiente promove as possibilidades de reutilização das matérias reaproveitáveis. Por essa razão, depois de terminar o tempo normal de vida útil do aparelho, este deve ser entregue para reciclagem. Durante a eliminação, siga as indicações no capítulo "Eliminação". (⇒ 6.11)



Remova os lixos como, por exemplo, as baterias sempre de forma adequada. Respeite as normas locais.

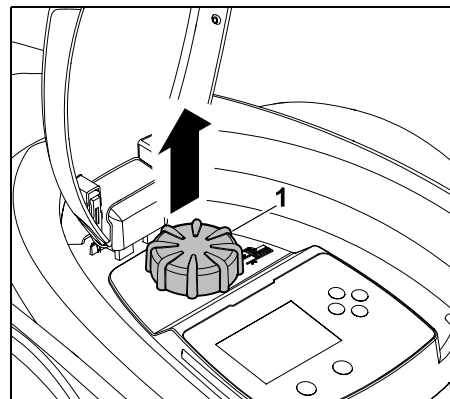


Não elimine as baterias de íões de lítio no lixo doméstico; entregue-as ao distribuidor oficial ou elimine-as no local de recolha dos materiais problemáticos.

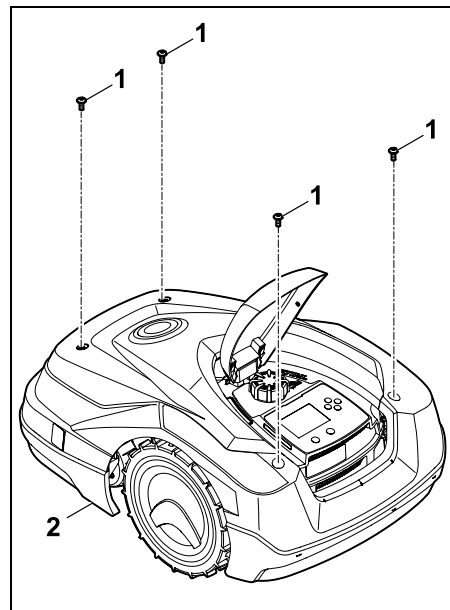
20.1 Desmontar a bateria

- Ative o bloqueio do aparelho. (⇒ 5.2)

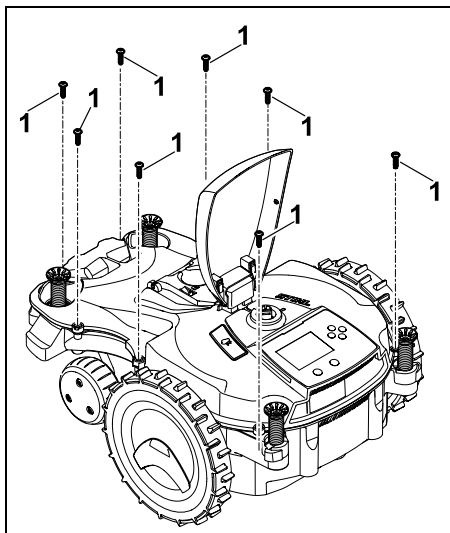
- Abra a tampa. (⇒ 15.2)



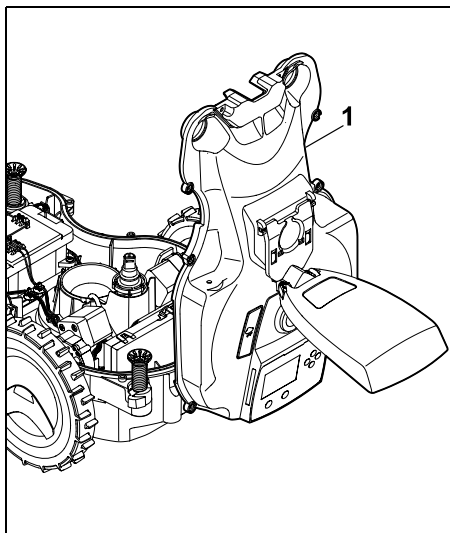
Retire o botão rotativo (1) para cima.



Desenrosque os parafusos (1) na cobertura (2) e remova-os. Retire a cobertura (2) para cima.



Desenrosque e retire os parafusos (1).



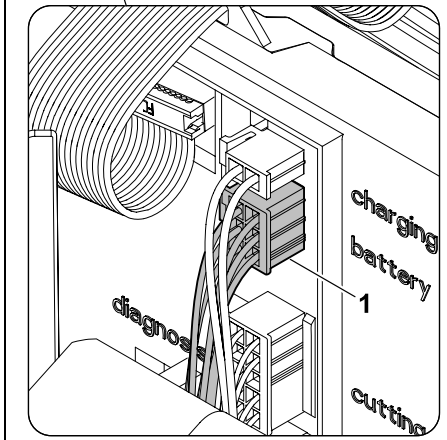
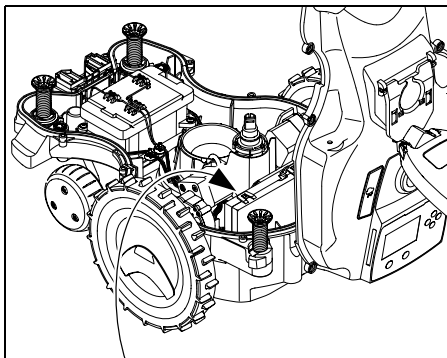
Rebata a parte superior do cárter (1) para trás.



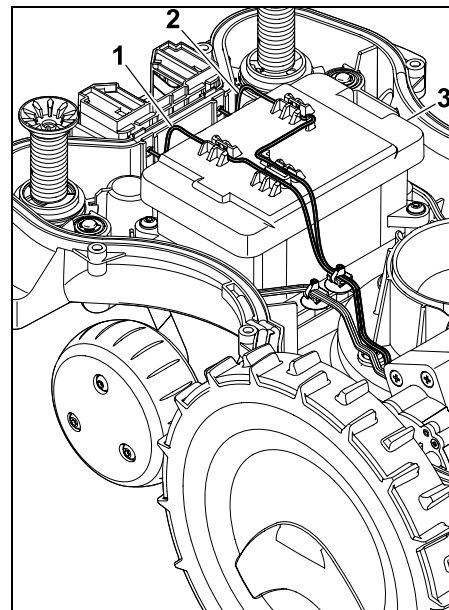
Perigo de ferimentos!

Não é permitido separar nenhum cabo da bateria. Perigo de curto-circuito!

Desencaixe e remova sempre os cabos em conjunto com a bateria.



Retire a ficha do cabo (1) (bateria).



Remova os cabos (1) e (2) das guias de cabos e remova a bateria (3).



Perigo de ferimentos!

Evite danificar a bateria.

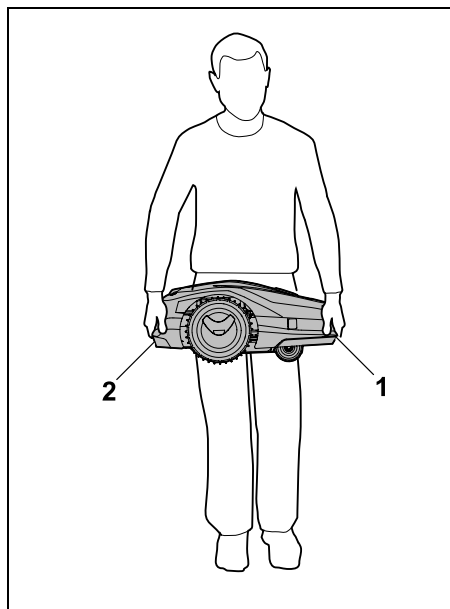
21. Transporte



Perigo de ferimentos!

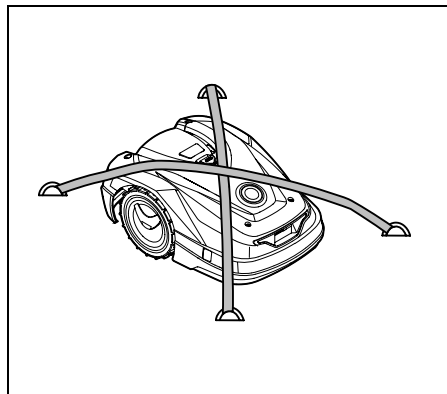
Antes do transporte, leia cuidadosamente o capítulo "Para sua segurança" (⇒ 6.), especialmente o subcapítulo "Transporte do aparelho" (⇒ 6.5), e siga escrupulosamente todas as instruções de segurança, ativando sempre o bloqueio do aparelho. (⇒ 5.2)

21.1 Levantar ou transportar o aparelho



Levante ou transporte o robô cortador de relva pelas pegadas de transporte dianteira (1) e traseira (2). Certifique-se de que a lâmina de corte está sempre afastada do corpo e que existe uma distância suficiente relativamente ao corpo, particularmente ao nível dos pés e das pernas.

21.2 Prender o aparelho



Fixe o robô cortador de relva na superfície de carga. Para tal, fixe o aparelho conforme ilustrado com meios de fixação adequados (cintas, cabos).

Fixe também as peças do aparelho transportadas (por exemplo, unidade de acoplamento, peças pequenas) para que não escorreguem.

22. Declaração de conformidade

22.1 Declaração de conformidade UE do robô cortador de relva elétrico, acionado a bateria com unidade de acoplamento

Fabricado por:

STIHL Tirol GmbH
Hans Peter Stihl-Straße 5
6336 Langkampfen
Áustria

ANDREAS STIHL AG & Co. KG declara sob a sua exclusiva responsabilidade que a máquina

Modelo: Cortador de relva, automático e acionado a bateria
Marca: STIHL
Tipo: RMI 522.0 C
Identificação da série: 6305

Modelo: Unidade de acoplamento
Marca: STIHL
Tipo: ADO 500
Firmware V 2.00

Identificação da série: 6301

satisfaz as disposições aplicáveis das diretivas 2006/42/EC, 2011/65/EU, 2006/66/EC, 2014/53/EU e foi desenvolvido e produzido em conformidade com as versões válidas à data da produção das seguintes normas: EN 50636-2-107, EN 60335-1 Ed 5, EN 55014-1, EN 55014-2, EN 61000-3-2, EN 61000-3-3

ETSI EN 301 489-1 V2.2.3

ETSI EN 301 489-19 V2.1.1

ETSI EN 301 489-52 V2.1.1

ETSI EN 301 511 V 12.5.1

ETSI EN 301 908-1 V13.1.1

ETSI EN 301 908-13 V13.1.1

ETSI EN 303 413 V1.1.1

ETSI EN 303 447 V1.2.0

O organismo notificado TÜV Rheinland LGA Products GmbH, N.º 0197, verificou a conformidade de acordo com o Anexo III do Módulo B da diretiva 2014/53/EU e emitiu o seguinte certificado de exame de tipo da UE:
RT 60154540 0001

Depósito da documentação técnica:
Andreas STIHL AG & Co. KG
Autorização do produto

O ano de fabrico e o número de máquina (número de série) encontram-se indicados no aparelho.

Waiblingen, 02.11.2020

ANDREAS STIHL AG & Co. KG

i. V.



Dr. Jürgen Hoffmann, Responsável por autorizações, normas e dados dos produtos

23. Dados técnicos

Identificação de série	6305
Sistema de corte	Mecanismo de mulching
Dispositivo de corte	Barra porta-lâminas

Largura de corte	20 cm
Rotação do dispositivo de corte	4450 rpm
Tipo de bateria	lão de lítio
Tensão da bateria U_{DC}	18,0 V
Altura de corte	20 - 60 mm
Classe de proteção	III
Tipo de proteção	IPX4
De acordo com EN 50636-2-107:	

Nível de pressão acústica L_{pA}	52 dB(A)
Incerteza K_{pA}	2 dB(A)
De acordo com 2000/14/EG / S.I. 2001/1701:	
Nível de potência acústica medido L_{WA}	60 dB(A)
Incerteza K_{WA}	2 dB(A)
$L_{WA} + K_{WA}$	62 dB(A)
Comprimento	60 cm
Largura	43 cm
Altura	27 cm

Potência	60 W
Designação da bateria	AAI 100
Capacidade da bateria	4,9 Ah
Peso	9,7 kg

Ligação móvel:

Bandas de frequência suportadas:	E-GSM-900 e DCS-1800
----------------------------------	----------------------

Potência de transmissão máxima radiada:

E-GSM-900:	880 - 915 MHz: 33,0 dBm
------------	----------------------------

Potência de transmissão máxima radiada:

DCS-1800:	1710 - 1785 MHz: 30,0 dBm
LTE-CAT-M1:	698 - 960 MHz: 23 dBm
LTE-CAT-M1:	1710 - 2170 MHz: 23 dBm

Unidade de acoplamento ADO 500:

Tensão U_{DC}	27 V
Classe de proteção	III
Tipo de proteção	IPX4
Peso	2,7 kg

Fio metálico limitador e circuito de procura:

Gama de frequências:	1,0 kHz - 90 kHz
Intensidade máxima do campo	< 72 μ A/m

Transformador:

	OWA-60E-27 2,23 A
Tensão de rede U_{AC}	100-240 V
Frequência	50/60 Hz
Tensão contínua U_{DC}	27 V
Classe de proteção	II
Tipo de proteção	IP67

Transporte de baterias STIHL:

As baterias STIHL cumprem os requisitos de acordo com o manual UN ST/SG/AC.10/11/Rev. 5 parte III, subsecção 38.3.

O utilizador pode levar as baterias STIHL através do transporte rodoviário para o local de utilização do aparelho sem outros suportes.

No caso de transporte aéreo ou marítimo, é necessário respeitar a legislação nacional específica.

Para mais instruções de transporte, consulte <http://www.stihl.com/safety-data-sheets>

REACH:

REACH designa um regulamento da CE sobre registo, avaliação e licença de químicos. Para obter informações sobre o cumprimento do regulamento REACH (CE) n.º 1907/2006, consulte www.stihl.com/reach

24. Mensagens

As mensagens fornecem informações sobre erros, avarias e recomendações ativos. As mensagens são apresentadas numa janela de diálogo e podem ser consultadas após premir o botão OK no menu "Mais - Mensagens". (⇒ 11.18)


As recomendações e as mensagens ativas surgem igualmente na indicação de estado. (⇒ 11.2)

Nos detalhes da mensagem, é possível consultar o código da mensagem, o momento da ocorrência, a prioridade e a frequência de ocorrência.


– As **recomendações** têm a prioridade "Reduzida" ou "Info", surgindo na indicação de estado em alternância com o texto "iMOW® operacional".
O robot cortador de relva pode continuar a ser colocado em funcionamento. O funcionamento automático prossegue.

– As **avarias** têm a prioridade "Média" e necessitam de uma ação por parte do utilizador.
O robot cortador de relva apenas pode ser novamente colocado em funcionamento após a eliminação da avaria.

– No caso de **erros** com prioridade "Elevada", surge no visor o texto "Contactar o distribuidor oficial".
O robot cortador de relva apenas pode ser novamente colocado em funcionamento após o distribuidor oficial STIHL eliminar o erro.

 Se uma mensagem permanecer ativa apesar da solução sugerida, deverá entrar em contacto com o distribuidor oficial STIHL.

Os erros que apenas possam ser eliminados por um distribuidor oficial STIHL não estão listados nas linhas que se seguem. Caso ocorra um destes erros, o código de erro de 4 algarismos e o texto do erro deverão ser transmitidos ao distribuidor oficial.

 As mensagens com um impacto negativo no funcionamento normal são igualmente enviadas para a aplicação. (⇒ 10.)

Após o envio da mensagem, o robot cortador de relva entra no modo standby e desativa a comunicação móvel para poupar bateria.

Mensagem:

0001 – Dados atualizados
Para desbloquear premir OK

Possível causa:

- Foi realizada uma atualização do software do aparelho
- Perda de tensão
- Avaria no software ou no hardware

Solução:

- Após premir o botão OK, o robot cortador de relva trabalha com as predefinições – verificar e corrigir os ajustes (data e hora, plano de corte)

Mensagem:

0100 – Bateria descarregada
Carregar a bateria

Possível causa:

- Tensão da bateria demasiado baixa

Solução:

- Colocar o robot cortador de relva na unidade de acoplamento para carregar a bateria (⇒ 15.7)

Mensagem:

0180 – Temperatura baixa
Placa principal

Possível causa:

- Temperatura no interior do robot cortador de relva demasiado baixa

Solução:

- Deixar aquecer o robot cortador de relva
-

Mensagem:

0181 – Temperatura alta
Placa principal

Possível causa:

- Temperatura no interior do robot cortador de relva demasiado alta

Solução:

- Deixar arrefecer o robot cortador de relva
-

Mensagem:

0183 – Temperatura alta
Placa do comando de carga

Possível causa:

- Temperatura no interior do robot cortador de relva demasiado alta

Solução:

- Deixar arrefecer o robot cortador de relva
-

Mensagem:

0185 – Temperatura alta
Placa do comando de condução

Possível causa:

- Temperatura no interior do robot cortador de relva demasiado alta

Solução:

- Deixar arrefecer o robot cortador de relva
-

Mensagem:

0186 – Temperatura baixa
Bateria

Possível causa:

- Temperatura da bateria demasiado baixa

Solução:

- Deixar aquecer o robot cortador de relva
-

Mensagem:

0187 – Temperatura alta
Bateria

Possível causa:

- Temperatura da bateria demasiado alta

Solução:

- Deixar arrefecer o robot cortador de relva
-

Mensagem:

0302 – Avaria motor acion.
Interv. temperaturas excedido

Possível causa:

- Temperatura no motor de acionamento esquerdo demasiado alta

Solução:

- Deixar arrefecer o robot cortador de relva
-

Mensagem:

0305 – Avaria motor acion.
A roda esquerda está presa

Possível causa:

- Sobrecarga na roda de acionamento esquerda

Solução:

- Limpar o robot cortador de relva (⇒ 16.2)
 - Eliminar as irregularidades (orifícios, depressões) na superfície a cortar
-

Mensagem:

0402 – Avaria motor acion.
Interv. temperaturas excedido

Possível causa:

- Temperatura no motor de acionamento direito demasiado alta

Solução:

- Deixar arrefecer o robot cortador de relva
-

Mensagem:

0405 – Avaria motor acion.
A roda direita está presa

Possível causa:

- Sobrecarga na roda de acionamento direita

Solução:

- Limpar o robot cortador de relva (⇒ 16.2)
 - Eliminar as irregularidades (orifícios, depressões) na superfície a cortar
-

Mensagem:

0502 – Avaria motor corte
Interv. temperaturas excedido

Possível causa:

- Temperatura no motor de corte demasiado alta

Solução:

- Deixar arrefecer o robot cortador de relva
-

Mensagem:

0505 – Avaria motor corte
Sobrecarga no motor de corte

Possível causa:

- Sujidades entre o disco de arrastamento e o cárter do mecanismo de corte
- Não é possível ligar o motor de corte
- Sobrecarga no motor de corte

Solução:

- Limpar a lâmina de corte e o mecanismo de corte (⇒ 16.2)
Limpar o disco de arrastamento (⇒ 16.6)
 - Definir uma altura de corte superior (⇒ 9.5)
 - Eliminar as irregularidades (orifícios, depressões) na superfície a cortar
-

Mensagem:

0701 – Temperatura da bateria
Sair do interv. temperaturas

Possível causa:

- Temperatura na bateria demasiado baixa ou demasiado alta

Solução:

- Deixar aquecer ou arrefecer o robot cortador de relva, respeitando o intervalo de temperaturas da bateria (⇒ 6.4)
-

Mensagem:

0703 – Bateria descarregada
Tensão da bateria demasiado baixa

Possível causa:

- Tensão da bateria demasiado baixa

Solução:

- Colocar o robot cortador de relva na unidade de acoplamento para carregar a bateria (⇒ 15.7)
-

Mensagem:

0704 – Bateria descarregada
Tensão da bateria demasiado baixa

Possível causa:

- Tensão da bateria demasiado baixa

Solução:

- Colocar o robot cortador de relva na unidade de acoplamento para carregar a bateria (⇒ 15.7)
-

Mensagem:

1000 – Capotamento
Inclinação permitida excedida

Possível causa:

- O sensor de inclinação detetou um capotamento

Solução:

- Colocar o robot cortador de relva sobre as rodas, verificar se existem danos e confirmar mensagem com OK
-

Mensagem:

1010 – iMOW® elevado
Para desbloquear premir OK

Possível causa:

- O robot cortador de relva foi elevado pelo capot

Solução:

- Verificar a mobilidade do capot e confirmar a mensagem com OK
-

Mensagem:

1030 – Erro no capot
Verificar capot
Em seguida, premir OK

Possível causa:

- Nenhum capot detetado

Solução:

- Verificar o capot (mobilidade, correto assentamento) e confirmar mensagem com OK
-

Mensagem:

1105 – Tampa aberta
Processo cancelado

Possível causa:

- Tampa aberta durante o funcionamento automático
- Tampa aberta durante o percurso na margem automático

Solução:

- Fechar a tampa (⇒ 15.2)
-

Mensagem:

1120 – Capot bloqueado
Verificar capot
Em seguida, premir OK

Possível causa:

- Colisão permanente detetada
-

- Eliminar as irregularidades à volta ou por baixo da placa de base da unidade de acoplamento

Solução:

- Libertar o robot cortador de relva e, se necessário, remover o obstáculo ou alterar o percurso do fio metálico limitador – em seguida, confirmar mensagem com OK
- Verificar a mobilidade do capot e confirmar a mensagem com OK
- Eliminar as irregularidades e confirmar a mensagem com OK (⇒ 9.1)

Mensagem:

1125 – Eliminar obstáculo
Verif. colocação fio

Possível causa:

- Fio metálico limitador colocado de forma imprecisa

Solução:

- Verificar a colocação do fio metálico limitador, controlar a distância com a régua iMOW® (⇒ 12.5)

Mensagem:

1126 – Interromper programação
Falha ao programar
Eliminar obstáculo

Possível causa:

- Obstáculo na área do fio metálico limitador
- O capot foi elevado
- Colocação incorreta do fio

Solução:

- Libertar o robot cortador de relva, se necessário, remover o obstáculo ou alterar o curso do fio metálico limitador
- Verificar a mobilidade do capot
- Eliminar as irregularidades
- Confirmar a mensagem com OK

- Se necessário, reiniciar a viagem programada

Mensagem:

1127 – Interromper programação
Falha ao programar

Possível causa:

- Botão STOP foi premido
- Inclinação permitida excedida
- Falha ao apagar/guardar o mapa interno da superfície a cortar
- Acoplamento não foi bem sucedido

Solução:

- Confirmar a mensagem com OK
- Se necessário, reiniciar a viagem programada

Mensagem:

1128 – Regresso direto
Interrupção de regresso direto pelo fio

Possível causa:

- O regresso direto não pôde ser concluído com sucesso

Solução:

- Não é necessária qualquer ação, se necessário, confirmar mensagem com OK
- Se o problema persistir, contactar o distribuidor oficial STIHL

Mensagem:

1130 – Preso
Libertar iMOW®
Em seguida, premir OK

Possível causa:

- O robot cortador de relva está preso

- As rodas de acionamento derrapam

Solução:

- Libertar o robot cortador de relva, remover as irregularidades na superfície a cortar ou alterar o percurso do fio metálico limitador – em seguida, confirmar mensagem com OK
- Limpar as rodas de acionamento e, se necessário, evitar o funcionamento à chuva – em seguida, confirmar mensagem com OK (⇒ 11.11)

Mensagem:

1135 – Exterior
Colocar iMOW® na superfície a cortar

Possível causa:

- O robot cortador de relva está fora da superfície a cortar

Solução:

- Colocar o robot cortador de relva na superfície a cortar

Mensagem:

1140 – Dem. íngreme
Verif. colocação fio

Possível causa:

- O sensor de inclinação detetou uma inclinação de terreno superior a 40%

Solução:

- Alterar o percurso do fio metálico limitador e delimitar o relvado com inclinação de terreno superior a 40%

Mensagem:

1170 – Sem sinal
Ligar a unidade de acoplamento

Possível causa:

- A unidade de acoplamento está desligada

- O sinal de fio deixa de ser recebido durante o funcionamento
- O robot cortador de relva está fora da superfície a cortar
- A unidade de acoplamento ou os componentes eletrónicos foram substituídos

Solução:

- Ligar a unidade de acoplamento e executar o comando de corte
- Verificar a alimentação de corrente da unidade de acoplamento
- Verificar o LED na unidade de acoplamento – o LED vermelho tem de estar permanentemente aceso durante o funcionamento (⇒ 13.1)
- Colocar o robot cortador de relva na superfície a cortar
- Acoplar o robot cortador de relva e a unidade de acoplamento (⇒ 11.16)

Mensagem:

1180 – Acoplar iMOW®
Acoplamento automático impossível

Possível causa:

- A unidade de acoplamento não foi encontrada
- O início ou o fim de uma travessa está mal instalado

Solução:

- Verificar o LED na unidade de acoplamento e, se necessário, ligar a unidade de acoplamento (⇒ 13.1)
- Verificar o acoplamento (⇒ 15.6)
- Verificar a entrada e a saída em forma de funil da travessa (⇒ 12.11)

Mensagem:

1190 – Avaria acoplamento
Unid.acopl.ocupada

Possível causa:

- A unidade de acoplamento está ocupada por um segundo robot cortador de relva.

Solução:

- Acoplar o robot cortador de relva quando a unidade de acoplamento estiver novamente livre

Mensagem:

1200 – Avaria motor corte
Arranque do motor de corte impossível 5x

Possível causa:

- Sujidades entre o disco de arrastamento e o cárter do mecanismo de corte
- Não é possível ligar o motor de corte
- Sobrecarga no motor de corte

Solução:

- Limpar a lâmina de corte e o mecanismo de corte (⇒ 16.2)
Limpar o disco de arrastamento (⇒ 16.6)
- Definir uma altura de corte superior (⇒ 9.5)
- Eliminar as irregularidades (orifícios, depressões) na superfície a cortar

Mensagem:

1210 – Avaria motor acion.
A roda está presa

Possível causa:

- Sobrecarga numa roda de acionamento

Solução:

- Limpar o robot cortador de relva (⇒ 16.2)

- Eliminar as irregularidades (orifícios, depressões) na superfície a cortar

Mensagem:

1220 – Chuva detetada
Corte cancelado

Possível causa:

- O processo de corte foi interrompido ou não foi iniciado devido à chuva

Solução:

- Não é necessária qualquer ação. Se necessário, ajustar o sensor de chuva (⇒ 11.11)

Mensagem:

1230 – Falha de acoplamento
Acoplar iMOW®

Possível causa:

- A unidade de acoplamento foi encontrada, acoplamento automático impossível

Solução:

- Verificar o acoplamento e, se necessário, acoplar manualmente o robot cortador de relva (⇒ 15.6)
- Verificar o fio metálico limitador, garantindo o percurso correto na área da unidade de acoplamento (⇒ 9.9)

Mensagem:

2000 – Problema de sinal
Acoplar iMOW®

Possível causa:

- Sinal de fio incorreto, ajuste de precisão necessário

Solução:

- Colocar o robot cortador de relva na unidade de acoplamento e, em seguida, premir OK

Mensagem:

2020 – Recomendação
Manutenção anual pelo distribuidor oficial

Possível causa:

- Assistência ao aparelho recomendada

Solução:

- Solicitar a manutenção anual ao distribuidor oficial STIHL
-

Mensagem:

2030 – Bateria
Vida útil permitida alcançada

Possível causa:

- É necessário substituir a bateria

Solução:

- Solicitar a substituição da bateria ao distribuidor oficial STIHL
-

Mensagem:

2031 – Erro no carregamento
Verificar os contactos de carga

Possível causa:

- Não é possível iniciar o processo de carga

Solução:

- Verificar os contactos de carga na unidade de acoplamento e no robot cortador de relva e, se necessário, limpar – em seguida, confirmar mensagem com OK.
-

Mensagem:

2032 – Temperatura da bateria
Sair do interv. temperaturas

Possível causa:

- Temperatura na bateria durante o processo de carga demasiado baixa ou demasiado alta

Solução:

- Deixar aquecer ou arrefecer o robot cortador de relva, respeitando o intervalo de temperaturas da bateria
-

Mensagem:

2040 – Temperatura da bateria
Sair do interv. temperaturas

Possível causa:

- Temperatura na bateria durante o início da operação de corte demasiado baixa ou demasiado alta

Solução:

- Deixar aquecer ou arrefecer o robot cortador de relva, respeitando o intervalo de temperaturas da bateria (⇒ 6.4)
-

Mensagem:

2050 – Adaptar plano corte
Prolongar tempo ativ.

Possível causa:

- Os tempos de atividade foram encurtados/eliminados ou a duração de corte foi prolongada – os tempos de atividade guardados não são suficientes para os processos de corte necessários

Solução:

- Prolongar tempos de atividade (⇒ 11.7) ou reduzir a duração de corte (⇒ 11.7)
-

Mensagem:

2060 – Corte concluído
Para desbloquear premir OK

Possível causa:

- Corte em superfícies circundantes concluído com êxito

Solução:

- Coloque o robot cortador de relva na superfície a cortar e acople para carregar a bateria (⇒ 15.6)
-

Mensagem:

2070 – Sinal GPS
Sem receção na margem

Possível causa:

- Toda a margem da superfície a cortar se encontra num local sem receção de rádio

Solução:

- Repetir o percurso na margem (⇒ 11.13)
 - Contactar o distribuidor oficial STIHL para um diagnóstico detalhado
-

Mensagem:

2071 – Sinal GPS
Sem receção no ponto inicial 1

Possível causa:

- O ponto inicial 1 encontra-se num local sem receção de rádio

Solução:

- Mude a posição do ponto inicial 1 (⇒ 11.14)
-

Mensagem:

2072 – Sinal GPS

Sem receção no ponto inicial 2

Possível causa:

- O ponto inicial 2 encontra-se num local sem receção de rádio

Solução:

- Mude a posição do ponto inicial 2 (⇒ 11.14)
-

Mensagem:

2073 – Sinal GPS

Sem receção no ponto inicial 3

Possível causa:

- O ponto inicial 3 encontra-se num local sem receção de rádio

Solução:

- Mude a posição do ponto inicial 3 (⇒ 11.14)
-

Mensagem:

2074 – Sinal GPS

Sem receção no ponto inicial 4

Possível causa:

- O ponto inicial 4 encontra-se num local sem receção de rádio

Solução:

- Mude a posição do ponto inicial 4 (⇒ 11.14)
-

Mensagem:

2075 – Sinal GPS

Sem receção em zona pretendida

Possível causa:

- A zona pretendida encontra-se num local sem receção de rádio

Solução:

- Redefina a zona pretendida (⇒ 10.)
-

Mensagem:

2076 – Sinal GPS

Zona pretendida não encontrada

Possível causa:

- A zona pretendida não foi localizada ao percorrer a margem

Solução:

- Redefina a zona pretendida. Tenha em atenção se a zona pretendida e o fio metálico limitador não estão sobrepostos (⇒ 10.)
-

Mensagem:

2077 – Zona pretendida

Zona pretendida fora do ponto de recolha

Possível causa:

- A zona pretendida encontra-se fora do ponto de recolha guardado

Solução:

- Redefina a zona pretendida (⇒ 10.)
-

Mensagem:

2090 – Módulo de rádio

Contactar o distribuidor oficial

Possível causa:

- Interferência na comunicação com o módulo de rádio

Solução:

- Não é necessária qualquer ação, o firmware será atualizado automaticamente, se necessário
 - Se o problema persistir, contactar o distribuidor oficial STIHL
-

Mensagem:

2100 – Proteção GPS

Sair ponto de recolha

Aparelho bloqueado

Possível causa:

- O robot cortador de relva foi removido do ponto de recolha

Solução:

- Coloque o robot cortador de relva de novo no ponto de recolha e introduza o código PIN (⇒ 5.9)
-

Mensagem:

2110 – Proteção GPS

Novo local

Nova inst. necessária

Possível causa:

- O robot cortador de relva foi colocado em funcionamento noutra superfície a cortar. O sinal de fio da segunda unidade de acoplamento já foi guardado.

Solução:

- Execute uma nova instalação (⇒ 11.13)
-

Mensagem:

2400 – A reposição das definições de fábrica foi bem sucedida no iMOW®

Possível causa:

- As definições de fábrica foram repostas no robot cortador de relva

Solução:

- Confirmar a mensagem com OK
-

Mensagem:

4000 – Erro de tensão
Sobretensão ou subtensão na bateria

Possível causa:

- Sobretensão ou subtensão na bateria

Solução:

- Não é necessária qualquer ação, o firmware será atualizado automaticamente, se necessário
- Se o problema persistir, contactar o distribuidor oficial STIHL

Mensagem:

4001 – Erro de temperatura
Sair do intervalo de temperaturas

Possível causa:

- Temperatura na bateria ou no interior do aparelho demasiado baixa ou demasiado alta

Solução:

- Deixar aquecer ou arrefecer o robot cortador de relva, respeitando o intervalo de temperaturas da bateria (⇒ 6.4)

Mensagem:

4002 – Capotamento
ver mensagem 1000

Mensagem:

4003 – Capot elevado
Verificar capot
Em seguida, premir OK

Possível causa:

- O capot foi elevado.

Solução:

- Verificar o capot e confirmar a mensagem com OK.

Mensagem:

4004 – Tempo trav. acion. excedido
Para desbloquear premir OK

Possível causa:

- Erro no decurso do programa
- Colocação incorreta do fio
- Obstáculos na área do fio metálico limitador

Solução:

- Confirmar a mensagem com OK
- Verificar a colocação do fio em especial na área dos cantos com a ajuda da régua iMOW® (⇒ 12.5)
- Remover os obstáculos

Mensagem:

4005 – Tempo travagem lâmina excedido
Para desbloquear premir OK

Possível causa:

- Erro no decurso do programa
- Quebra de sinal (por exemplo, devido a uma falha de corrente) durante o funcionamento de corte

Solução:

- Confirmar a mensagem com OK
- Verificar a alimentação de corrente da unidade de acoplamento – o LED vermelho tem de estar permanentemente aceso durante o funcionamento. Em seguida, premir o botão OK (⇒ 13.1)

Mensagem:

4006 – Carregamento interrompido
Para desbloquear premir OK

Possível causa:

- Erro no decurso do programa
- Falha de corrente durante o carregamento

- O robot cortador de relva deslizou para fora da unidade de acoplamento

Solução:

- Confirmar a mensagem com OK
- Verificar a alimentação de corrente da unidade de acoplamento – o LED vermelho pisca lentamente quando o robot cortador de relva está acoplado (⇒ 13.1)
- Verificar se a unidade de acoplamento está na posição correta (⇒ 9.1)

Mensagem:

4008 – A tampa não está fechada.
Para desbloquear premir OK

Possível causa:

- A posição da tampa não é corretamente detetada
- Erro na transmissão de sinal do sensor

Solução:

- Confirmar a mensagem com OK
- Abra e feche novamente a tampa
- Se o problema persistir, contactar o distribuidor oficial STIHL.

Mensagem:

4009 – Interferência sensor do capot
Para desbloquear premir OK

Possível causa:

- Capot deslocado

Solução:

- Verificar a posição do capot
- Verificar a mobilidade do capot e, se necessário, limpar o local de armazenamento do capot
- Confirmar a mensagem com OK

Mensagem:

4016 – Anomalia no valor do sensor botão STOP

Para desbloquear premir OK

Possível causa:

- Erro no decurso do programa

Solução:

- Confirmar a mensagem com OK
-

Mensagem:

4027 – Botão STOP premido

Para desbloquear premir OK

Possível causa:

- O botão STOP foi premido

Solução:

- Confirmar mensagem com OK

25. Localização de falhas

Suporte e ajuda à utilização

Encontrará suporte e ajuda à utilização junto do distribuidor oficial STIHL.

Em <https://support.stihl.com/> oder <https://www.stihl.com/>, poderá obter os dados de contacto e outras informações.

✂ Se necessário, dirija-se a um distribuidor oficial, a STIHL recomenda os distribuidores oficiais STIHL.

Avaria:

O robot cortador de relva funciona no momento incorreto

Possível causa:

- Data e hora incorretamente acertadas
- Tempos de atividade incorretamente ajustados

- O aparelho foi colocado em funcionamento por pessoas não autorizadas

Solução:

- Acertar a data e a hora (⇒ 11.10)
 - Ajustar tempos de atividade (⇒ 11.7)
 - Definir o nível de segurança "Média" ou "Elevada" (⇒ 11.16)
-

Avaria:

O robot cortador de relva não funciona durante um tempo de atividade

Possível causa:

- A bateria está a ser carregada
- Modo automático desligado
- Tempo de atividade desligado
- Chuva detetada
- Quando o tipo de plano de corte "Dinâmico" está ativado: a duração de corte semanal foi atingida, não é necessário mais nenhum processo de corte nesta semana
- Está ativa uma mensagem
- A tampa está aberta ou não está presente
- Unidade de acoplamento desligada da corrente
- Fora do intervalo de temperaturas permitido
- Falha de corrente

Solução:

- Deixar a bateria carregar por completo (⇒ 15.7)
- Ligar o modo automático (⇒ 11.7)
- Desbloquear tempo de atividade (⇒ 11.7)
- Ajustar o sensor de chuva (⇒ 11.11)

- Não é necessária qualquer outra ação adicional. Os processos de corte são automaticamente distribuídos pela semana no tipo de plano de corte "Dinâmico" – se necessário, ativar o processo de corte no menu "Início" (⇒ 11.5)
 - Eliminar a avaria indicada e confirmar a mensagem com OK (⇒ 24.)
 - Fechar a tampa (⇒ 15.2)
 - Verificar a alimentação de corrente da unidade de acoplamento (⇒ 9.3)
 - Deixar aquecer ou arrefecer o robot cortador de relva, respeitando o intervalo de temperaturas permitido durante o seu funcionamento: de +5 °C a +40 °C. O distribuidor oficial poderá fornecer-lhe informações detalhadas. ✂
 - Verificar a alimentação de corrente. Se, após uma verificação periódica, o robot cortador de relva detetar novamente um sinal de fio, prosseguirá com o processo de corte interrompido. Desta forma, poderão ser necessários alguns minutos até a operação de corte prosseguir automaticamente após a falha de energia. Quanto maior for a duração de uma falha de corrente, maiores serão os intervalos entre as diferentes verificações periódicas.
-

Avaria:

O robot cortador de relva não corta a relva depois de selecionar o menu "Início"

Possível causa:

- Carga insuficiente da bateria
- Chuva detetada
- A tampa não está fechada ou não está presente
- Está ativa uma mensagem

- O regresso foi ativado na unidade de acoplamento

Solução:

- Carregar a bateria (⇒ 15.7)
- Ajustar o sensor de chuva (⇒ 11.11)
- Fechar a tampa (⇒ 15.2)
- Eliminar a avaria indicada e confirmar a mensagem com OK (⇒ 24.)
- Terminar o regresso ou executar novamente o comando após o acoplamento

Avaria:

O robot cortador de relva não funciona e não é apresentado nada no visor

Possível causa:

- O aparelho está em standby
- Bateria avariada

Solução:

- Premir qualquer botão para ativar o robot cortador de relva – é apresentada a indicação de estado (⇒ 11.2)
- Substituir a bateria (✖)

Avaria:

O robot cortador de relva está ruidoso e vibra

Possível causa:

- A lâmina de corte está danificada
- O mecanismo de corte está muito sujo

Solução:

- Substituir a lâmina de corte – remover os obstáculos do relvado (⇒ 16.4), (✖)
- Limpar o mecanismo de corte (⇒ 16.2)

Avaria:

Mau resultado de mulching ou de corte

Possível causa:

- A altura da relva é demasiado elevada em relação à altura de corte

- A relva está demasiado molhada
- A lâmina de corte está embotada ou gasta
- Tempos de atividade insuficientes, duração de corte demasiado curta
- Dimensão da superfície a cortar incorretamente ajustada
- Superfície a cortar com relva muito alta
- Longos períodos de chuva

Solução:

- Ajustar a altura de corte (⇒ 9.5)
- Ajustar o sensor de chuva (⇒ 11.11)
Transferir tempos de atividade (⇒ 11.7)
- Substituir a lâmina de corte (⇒ 16.4), (✖)
- Prolongar ou complementar tempos de atividade (⇒ 11.7)
Aumentar a duração de corte (⇒ 11.7)
- Criar um novo plano de corte (⇒ 11.7)
- Para obter um resultado de corte limpo, o robot cortador de relva necessita, no máximo, de 2 semanas, dependendo da altura da superfície a cortar
- Permitir cortar a relva com chuva (⇒ 11.11)
Prolongar os tempos de atividade (⇒ 11.7)

Avaria:

Indicação no visor num idioma estrangeiro

Possível causa:

- A definição de idioma foi alterada

Solução:

- Definir idioma (⇒ 9.7)

Avaria:

Formam-se pontos castanhos (terrosos) na superfície a cortar

Possível causa:

- A duração de corte é demasiado longa em comparação com a superfície a cortar

- O fio metálico limitador foi colocado em raios demasiado curtos
- Dimensão da superfície a cortar incorretamente ajustada

Solução:

- Reduzir a duração de corte (⇒ 11.7)
- Corrigir o curso do fio metálico limitador (⇒ 12.)
- Criar um novo plano de corte (⇒ 11.7)

Avaria:

Os processos de corte são significativamente mais curtos do que o habitual

Possível causa:

- A relva está demasiado alta ou demasiado molhada
- O aparelho (mecanismo de corte, rodas de acionamento) está muito sujo
- A bateria está no fim da sua vida útil

Solução:

- Ajustar a altura de corte (⇒ 9.5)
- Ajustar o sensor de chuva (⇒ 11.11)
Transferir tempos de atividade (⇒ 11.7)
- Limpar o aparelho (⇒ 16.2)
- Substituir a bateria – respeitar uma recomendação correspondente no visor (✖), (⇒ 24.)

Avaria:

O robot cortador de relva está acoplado, mas a bateria não é carregada

Possível causa:

- Não é necessário carregar a bateria
- Unidade de acoplamento desligada da corrente
- Acoplamento incorreto
- Contactos de carga corroídos
- Transformador avariado

- O aparelho está em standby

Solução:

- Não é necessária qualquer ação – a carga da bateria ocorre de forma automática após passar abaixo de uma determinada tensão
- Verificar a alimentação de corrente da unidade de acoplamento (⇒ 9.8)
- Pousar o robot cortador de relva na superfície a cortar e enviá-lo novamente para a unidade de acoplamento (⇒ 11.6), verificando o acoplamento correto – se necessário, corrigir a posição da unidade de acoplamento (⇒ 9.1)
- Substituir os contactos de carga (✘)
- Desligue o transformador da alimentação de corrente e dirija-se a um distribuidor oficial STIHL (✘).
- Premir qualquer botão para ativar o robot cortador de relva - é apresentada a indicação de estado (⇒ 11.2)

Avaria:

O acoplamento não funciona

Possível causa:

- Irregularidades na área da entrada da unidade de acoplamento
- Eliminar as irregularidades à volta ou por baixo da placa de base da unidade de acoplamento
- A placa de base da unidade de acoplamento está deformada
- Rodas de acionamento sujas ou placa de base suja
- Fio metálico limitador incorretamente colocado na área da unidade de acoplamento

- Extremidades do fio metálico limitador não encurtadas

Solução:

- Eliminar as irregularidades na área da entrada da unidade de acoplamento (⇒ 9.1)
- Eliminar as irregularidades à volta ou por baixo da placa de base (⇒ 9.1)
- Posicionar a placa de base de forma nivelada e plana (⇒ 9.1)
- Limpar as rodas de acionamento e a placa de base da unidade de acoplamento (⇒ 16.2)
- Colocar novamente o fio metálico limitador, garantindo o percurso correto na área da unidade de acoplamento (⇒ 9.9)
- Encurtar o fio metálico limitador conforme descrito e colocá-lo sem reservas de fio – não enrolar as extremidades salientes (⇒ 9.10)

Avaria:

O robot cortador de relva falha a unidade de acoplamento ou acopla de forma enviesada

Possível causa:

- Sinal de fio afetado por influências ambientais
- Fio metálico limitador incorretamente colocado na área da unidade de acoplamento

Solução:

- Acoplar novamente o robot cortador de relva e a unidade de acoplamento – garantir que o robot cortador de relva permanece a direito na unidade de acoplamento para o acoplamento (⇒ 11.16)

- Colocar novamente o fio metálico limitador, garantindo o percurso correto na área da unidade de acoplamento (⇒ 9.9)
Verificar a ligação correta das extremidades do fio metálico limitador na unidade de acoplamento (⇒ 9.10)

Avaria:

O robot cortador de relva ultrapassou o fio metálico limitador

Possível causa:

- O fio metálico limitador está colocado incorretamente, as distâncias não estão corretas
- A superfície a cortar tem uma inclinação excessiva
- Existem campos de interferência a influenciar o robot cortador de relva

Solução:

- Verificar a colocação do fio metálico limitador (⇒ 11.13), controlar a distância com a régua iMOW® (⇒ 12.5)
- Verificar a colocação do fio metálico limitador, bloquear áreas com inclinação de terreno excessiva (⇒ 11.13)
- Contactar o distribuidor oficial STIHL (✘)

Avaria:

O robot cortador de relva prende com frequência

Possível causa:

- Altura de corte demasiado reduzida
- Rodas de acionamento sujas
- Depressões ou obstáculos na superfície a cortar

Solução:

- Aumentar a altura de corte (⇒ 9.5)

- Limpar as rodas de acionamento (⇒ 16.2)
- Encher os orifícios na superfície a cortar, instalar superfícies de bloqueio à volta de obstáculos tais como raízes soltas, remover os obstáculos (⇒ 12.)

Avaria:

O sensor de colisão não é ativado quando o robot cortador de relva entra em contacto com um obstáculo

Possível causa:

- Obstáculo baixo (menos de 8 cm de altura)
- O obstáculo não está preso ao solo – por exemplo, fruta no chão ou uma bola de ténis

Solução:

- Remover o obstáculo ou limitá-lo com uma superfície de bloqueio (⇒ 12.9)
- Remover o obstáculo

Avaria:

Faixas na margem da superfície a cortar

Possível causa:

- Corte demasiado frequente da margem
- Duração de corte demasiado longa
- Pontos iniciais em utilização
- A bateria é carregada com muita frequência perto do fim da sua vida útil
- Desvio do regresso (corredor) desligado

Solução:

- Desligar Cortar margem ou reduzir para uma vez por semana (⇒ 11.13)
- Reduzir a duração de corte
- Iniciar todos os processos de corte na unidade de acoplamento em superfícies a cortar adequadas (⇒ 11.14)

- Substituir a bateria – respeitar uma recomendação correspondente no visor (✘), (⇒ 24.)
- Ligar o desvio do regresso (corredor) (⇒ 11.13)

Avaria:

Relva não cortada na margem da superfície a cortar

Possível causa:

- Corte da margem desligado
- Fio metálico limitador colocado de forma imprecisa
- A relva está fora do alcance da lâmina de corte

Solução:

- Cortar a margem uma ou duas vezes por semana (⇒ 11.13)
- Verificar a colocação do fio metálico limitador (⇒ 11.13), controlar a distância com a régua iMOW® (⇒ 12.5)
- Trabalhar em áreas não cortadas com um aparador de relva adequado

Avaria:

Sem sinal de fio

Possível causa:

- Unidade de acoplamento desligada – o LED não acende
- Unidade de acoplamento desligada da corrente – o LED não acende
- Fio metálico limitador desligado da unidade de acoplamento – pisca o LED vermelho (⇒ 13.1)
- Fio metálico limitador quebrado – pisca o LED vermelho (⇒ 13.1)
- O robot cortador de relva e a unidade de acoplamento não estão acoplados

- Avaria no sistema eletrónico – o LED faz sinal de SOS (⇒ 13.1)

Solução:

- Ligar a unidade de acoplamento (⇒ 13.1)
- Verificar a alimentação de corrente da unidade de acoplamento (⇒ 9.8)
- Ligar o fio metálico limitador à unidade de acoplamento (⇒ 9.10)
- Procurar a quebra do fio (⇒ 16.7) e, em seguida, reparar o fio metálico limitador com conetores com fio (⇒ 12.16)
- Acoplar o robot cortador de relva e a unidade de acoplamento (⇒ 11.16)
- Contactar o distribuidor oficial (✘)

Avaria:

o LED na unidade de acoplamento emite sinal de SOS

Possível causa:

- Comprimento mínimo do fio metálico limitador não alcançado
- Avaria no sistema eletrónico

Solução:

- instalar o AKM 100 (✘)
- Contactar o distribuidor oficial (✘)

Avaria:

O robot cortador de relva não recebe qualquer sinal GPS.

Possível causa:

- A ligação aos satélites está a ser estabelecida
- É possível alcançar 3 ou menos satélites
- O aparelho encontra-se num local sem receção de rádio

Solução:

- Não é necessária qualquer ação, o estabelecimento da ligação pode demorar alguns minutos

- Evite e remova obstáculos isolantes (por exemplo, árvores, alpendres)

Avaria:

O robot cortador de relva não consegue estabelecer ligação móvel

Possível causa:

- A superfície a cortar encontra-se num local sem receção de rádio
- Módulo de rádio não ativado

Solução:

- Solicitar a verificação do módulo de rádio ao distribuidor oficial STIHL (✳)

Avaria:

Não é possível aceder ao robot cortador de relva com a aplicação

Possível causa:

- Módulo de rádio inativo
- O robot cortador de relva está em standby
- Sem ligação à internet
- O robot cortador de relva não tem atribuído o endereço de e-mail correto

Solução:

- O módulo de rádio é desligado durante o acoplamento e, em seguida, é novamente ativado, ficando o robot cortador de relva novamente acessível
- Ativar o robot cortador de relva premindo um botão. Definir o modo de energia "Padrão" (⇒ 11.10)
- Ligar o aparelho em que a aplicação está instalada à internet
- Corrigir o endereço de e-mail (⇒ 10.)

Avaria:

Não é possível criar o mapeamento interno para o regresso direto.

Possível causa:

- Interrupção ou cancelamento do percurso na margem, por exemplo, devido a um obstáculo ou levantamento
- Colocação do fio incorreta
- Saída do fio metálico limitador

Solução:

- Repetir o percurso na margem; o percurso na margem tem de ser realizado sem interrupção
- Realizar o percurso na margem mais tarde
- Corrigir colocação do fio


26. Plano de manutenção

26.1 Confirmação de entrega

Modelo: _____

Número de série:

Data:



Próximo serviço de assistência

Data:

26.2 Confirmação de assistência



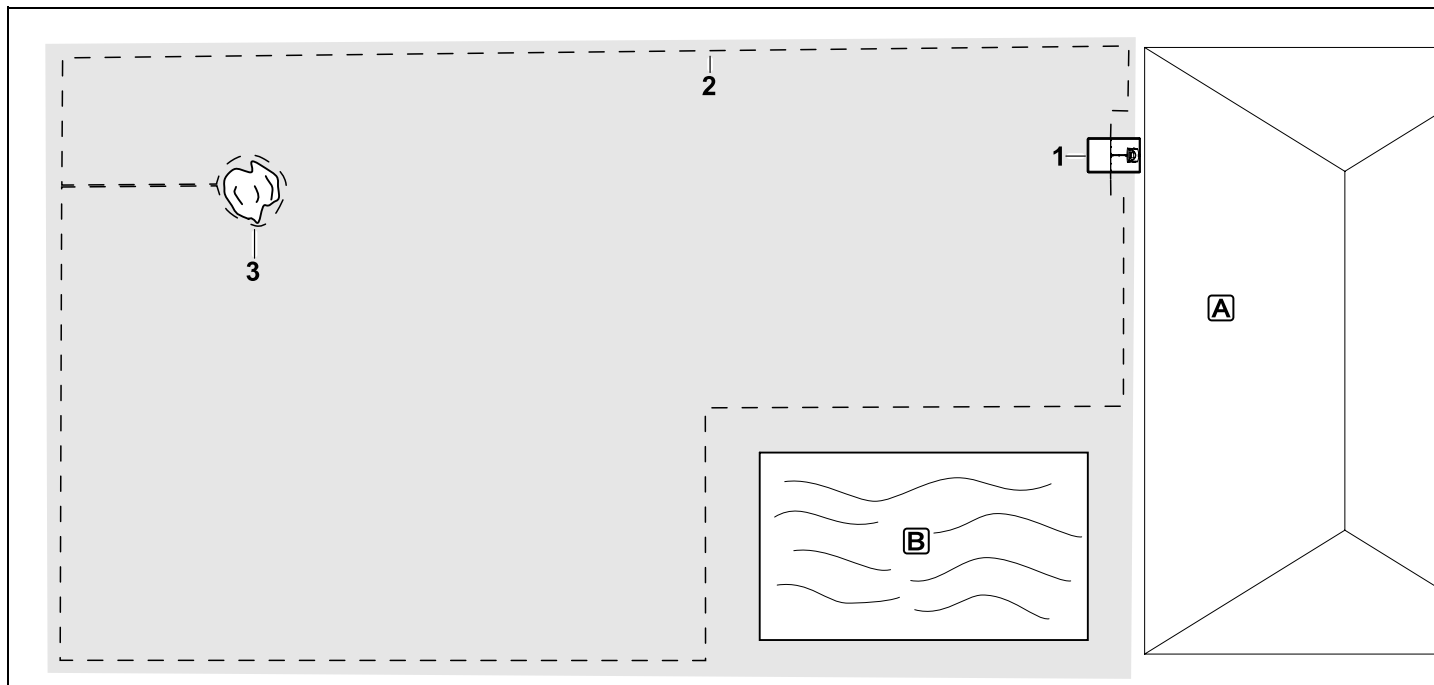
No caso de trabalhos de manutenção, faculte este manual de utilização ao seu distribuidor oficial STIHL.

A realização dos trabalhos de assistência é confirmada nos campos pré-impressos.

 Assistência realizada em

 Data da próxima assistência

27. Exemplos de Instalação



Superfície a cortar retangular com uma única árvore e piscina

Unidade de acoplamento:

Local (1) diretamente encostado à casa

A

Superfície de bloqueio:

Instalação em torno da árvore independente (3), começando por um trajeto de ligação instalado em ângulo reto relativamente à margem.

Piscina:

Por motivos de segurança (distância do fio prescrita), o fio metálico limitador (2) é colocado à volta da piscina **B**.

Distâncias do fio: (⇒ 12.5)

Distância relativamente à margem: **28 cm**

Distância relativamente à superfície transitável contígua (por exemplo, passeio) com um desnível do terreno inferior a +/- 1 cm: **0 cm**

Distância em torno da árvore: **28 cm**

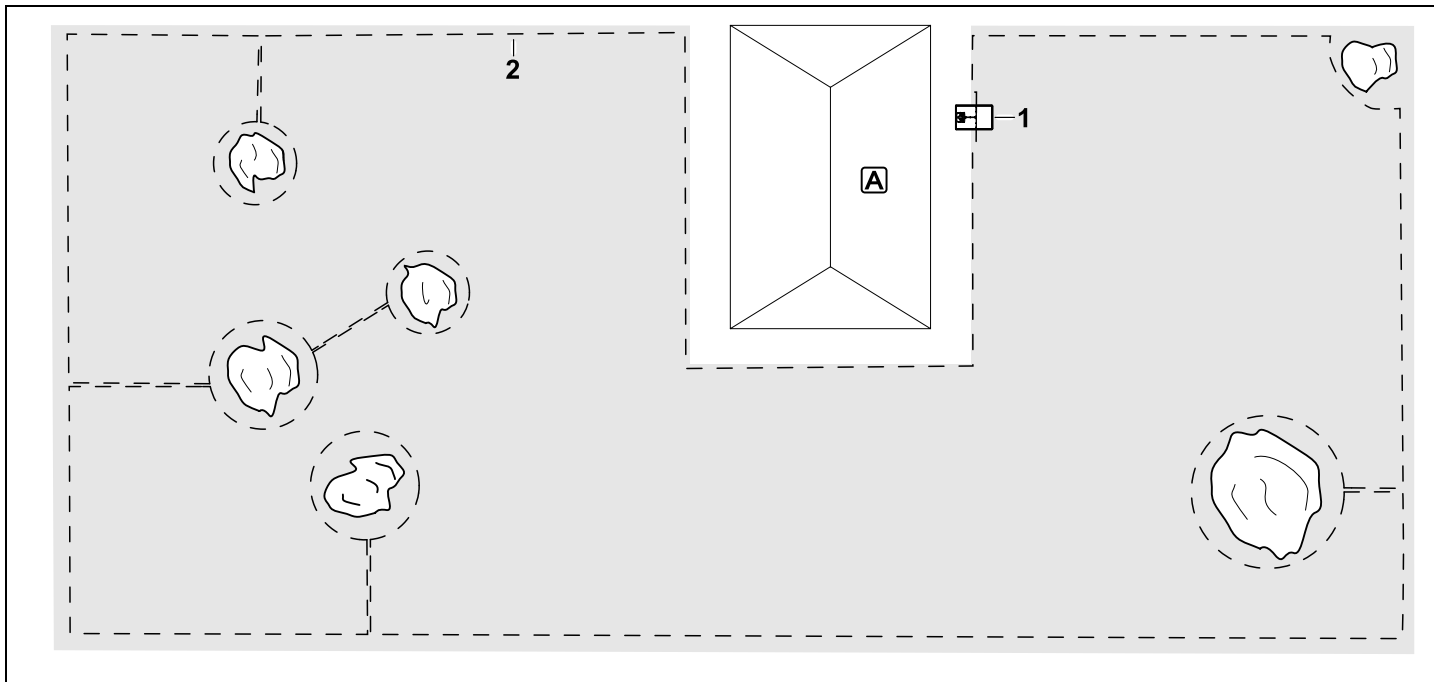
Distância relativamente à superfície de água: **100 cm**

Programação:

Após determinar a dimensão da superfície a cortar, não são necessárias mais adaptações.

Particularidades:

Corte manualmente ou com um aparador de relva adequado as áreas não cortadas à volta da piscina com regularidade.



Superfície a cortar em U com várias árvores independentes

Unidade de acoplamento:

Local (1) diretamente encostado à casa

A

Superfícies de bloqueio:

Instalação em torno das árvores independentes, começando respetivamente pelos trajetos de ligação instalados em ângulo reto relativamente à margem (2), 2 superfícies de bloqueio são ligadas por um trajeto de ligação.

Distâncias do fio: (⇒ 12.5)

Distância relativamente à margem: **28 cm**

Distância relativamente à superfície transitável contígua (por exemplo,

passeio) com um desnível do terreno inferior a +/- 1 cm: **0 cm**

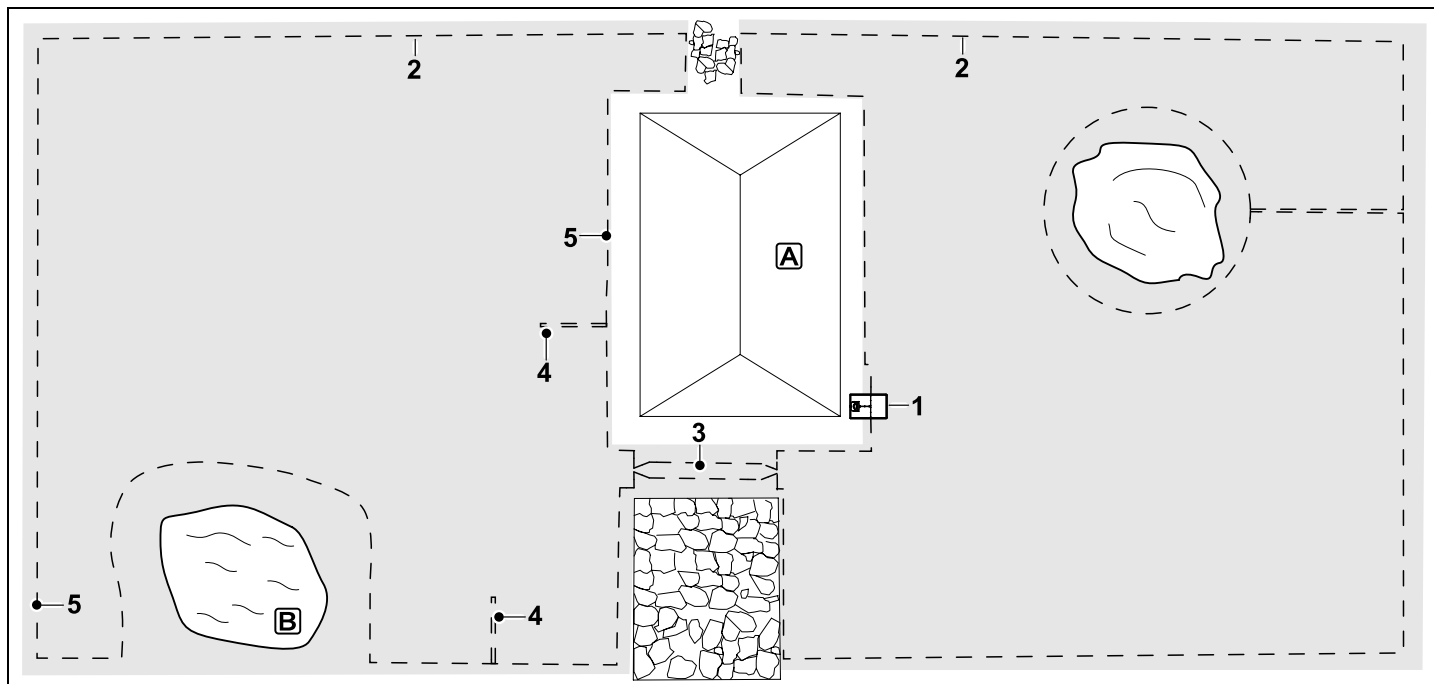
Distância em torno das árvores: **28 cm**

Programação:

Após determinar a dimensão da superfície a cortar, não são necessárias mais adaptações.

Particularidades:

Árvore no canto da superfície a cortar – corte com regularidade a área atrás da árvore delimitada com um aparador de relva adequado ou deixe crescer como zona de relva alta.



Superfície a cortar dividida em dois com lago e árvore independente

Unidade de acoplamento:

Local (1) diretamente encostado à casa
A

Superfície de bloqueio:

Instalação em torno da árvore independente, começando por um trajeto de ligação instalado em ângulo reto relativamente à margem.

Lago:

Por motivos de segurança (distância do fio prescrita), o fio metálico limitador (2) é colocado à volta do lago B.

Distâncias do fio: (⇒ 12.5)

Distância relativamente à margem: **28 cm**
Distância relativamente à superfície transitável contígua (por exemplo,

passoio) com um desnível do terreno inferior a +/- 1 cm: **0 cm**

Em torno da árvore: **28 cm**

Distância relativamente à superfície de água: **100 cm**

Travessa:

Instalação de uma travessa (3). Distância do fio: **22 cm** (⇒ 12.11)

Circuitos de procura:

Instalação de dois circuitos de procura (4) para utilização da função de desvio do caminho de recolha.(⇒ 11.13)

Distância mínima relativamente à entrada das travessas: **2 m**

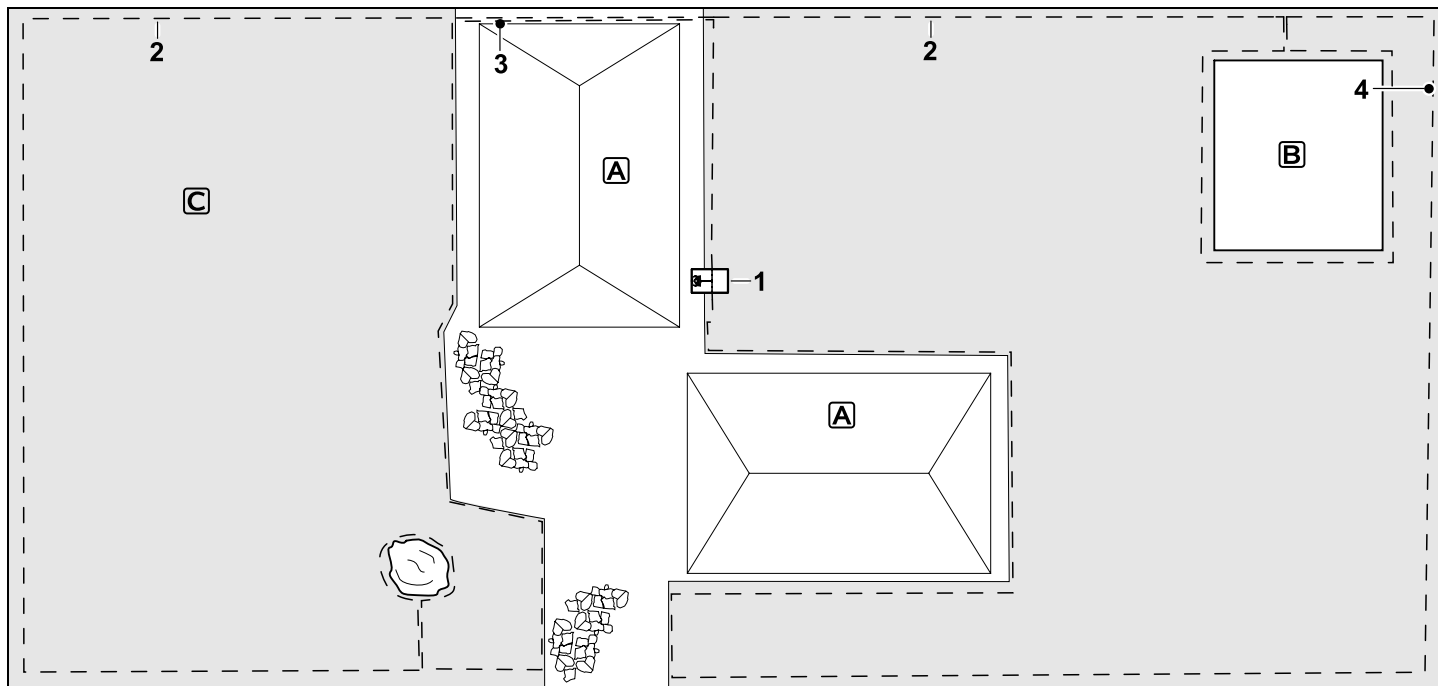
Respeite a distância mínima relativamente aos cantos. (⇒ 12.12)

Programação:

Determine a dimensão total da superfície a cortar, programe 2 pontos iniciais (5) (junto à unidade de acoplamento e no canto sinuoso junto ao lago) (⇒ 11.14)

Particularidades:

Corte manualmente ou com um aparador de relva adequado as áreas não cortadas, como, por exemplo, à volta do lago, com regularidade.



Superfície a cortar dividida em dois – o robô cortador de relva não consegue passar por si próprio de uma superfície a cortar para a outra.

Unidade de acoplamento:

Local (1) imediatamente junto aos edifícios **A**

Superfícies de bloqueio:

Instalação em torno da árvore independente e em torno da horta **B**, começando por um trajeto de ligação instalado em ângulo reto relativamente à margem.

Distâncias do fio: (⇒ 12.5)

Distância relativamente à superfície transitável contígua (por exemplo, terraço) com um desnível do terreno inferior a +/- 1 cm: **0 cm**

Distância relativamente a obstáculos altos: **28 cm**

Distância relativamente à árvore: **28 cm**

Distância mínima do fio nos locais estreitos atrás da horta: **44 cm**

Superfície circundante:

Instalação de uma superfície circundante **C**, coloque o trajeto de ligação (3) no terraço da casa num canal do cabo.

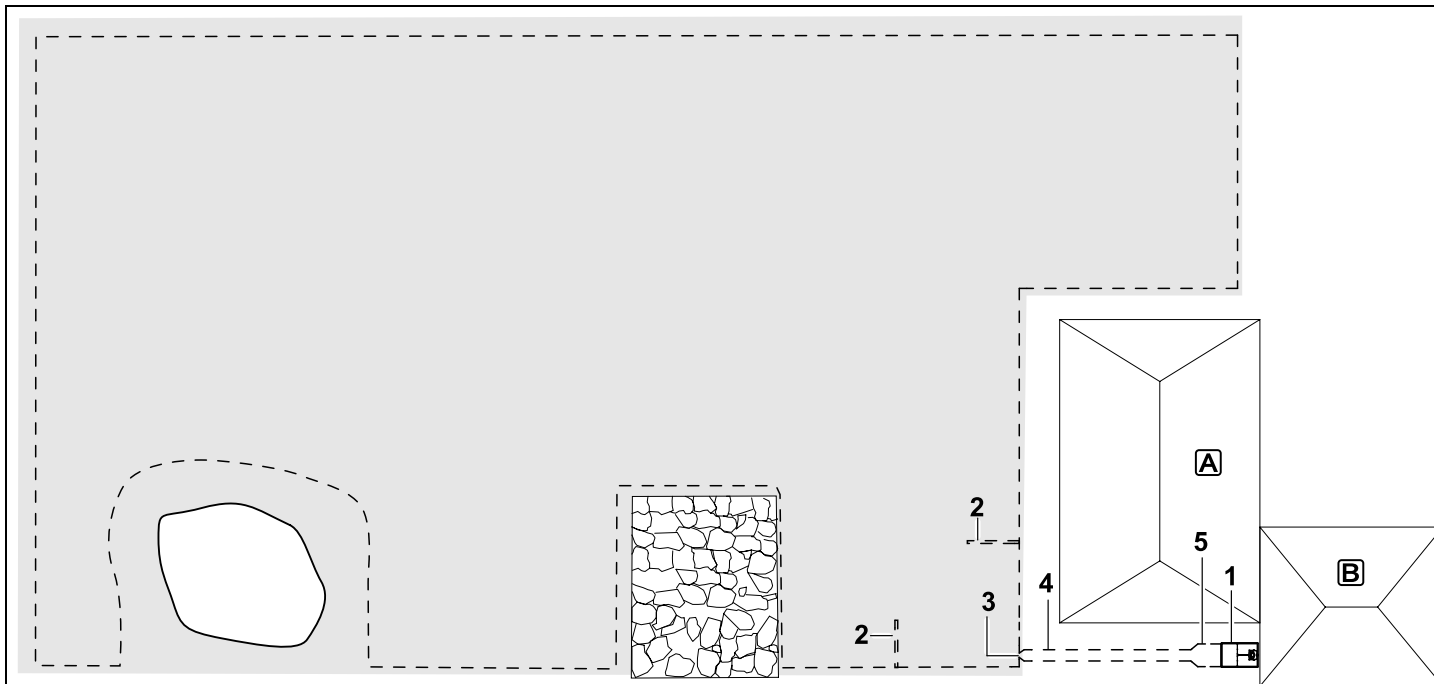
Programação:

Determine a dimensão da superfície a cortar (sem superfície circundante), programe 1 ponto inicial (4) no local estreito para utilização da função de desvio do regresso (⇒ 11.13) – frequência inicial de 2 em 10 saídas (⇒ 11.14)

Particularidades:

Coloque o robô cortador de relva na superfície circundante várias vezes por semana e ative o menu "Início". (⇒ 11.5) Respeite o desempenho de superfície. (⇒ 14.4)

Se necessário, instale duas superfícies a cortar separadas com 2 unidades de acoplamento.



Superfície a cortar com unidade de acoplamento externa (1)

Unidade de acoplamento:

Local (1) diretamente encostado à garagem (B) e atrás da casa (A).

Distâncias do fio: (⇒ 12.5)

Distância relativamente à margem: **28 cm**

Distância relativamente à superfície transitável contígua (por exemplo, terraço) com um desnível do terreno inferior a +/- 1 cm: **0 cm**

Distância relativamente à superfície de água: **100 cm**

Circuitos de procura:

Instalação de dois circuitos de procura (2) para utilização da função de desvio do caminho de recolha. (⇒ 11.13)

Distância mínima relativamente à entrada

das travessas: **2 m**

Respeite a distância mínima relativamente aos cantos. (⇒ 12.12)

Programação:

Determine o tamanho da superfície a cortar e determine, pelo menos, um ponto inicial fora da travessa da unidade de acoplamento. (⇒ 11.14)

Particularidades:

Instalação de uma travessa (4) com entrada em forma de funil (3). (⇒ 12.11)
Distância do fio: 22 cm

A travessa (4) segue para a unidade de acoplamento externa (1). Aumente a distância do fio na travessa para a largura da placa de base um metro à frente da unidade de acoplamento (5). (⇒ 9.1)

Respeite a necessidade de espaço na travessa e junto à unidade de acoplamento.

28. Software de código aberto

Este produto contém software de código aberto protegido por direitos de autor, que foi publicado pelos respetivos autores sob determinados termos de licença como, por exemplo, a "GNU General Public License" (GPL), a "GNU Lesser General Public License" (LGPL), a "Apache License" ou licenças semelhantes. Se este manual de utilização incluir declarações sobre os direitos de autor, termos de utilização ou termos de licença que contradigam uma licença de código aberto, tais não se aplicarão. A utilização e distribuição do software de código aberto incluído regem-se exclusivamente pela respetiva licença de código aberto. Na medida em que a licença aplicável lhe conceda o direito de usar o código de fonte deste software e/ou outros dados adicionais, poderá adquiri-lo durante um período de três anos após o último fornecimento do produto e, se os termos de licença o exigirem, enquanto oferecermos um apoio ao cliente para o produto. Poderá pedir-nos para receber o código de fonte completo correspondente mediante o envio de um e-mail para oss@stihl.de. Se pretender obter o código de fonte completo correspondente num suporte físico (por exemplo, num CD-ROM), ser-lhe-ão cobrados os custos relativos à distribuição física do código de fonte. Esta oferta é válida para todas as pessoas que recebam esta informação.

Uma lista atual dos respetivos componentes de código aberto incluídos pode ser acedida através do seguinte endereço: <http://opensource.stihl.com/>

Spoštovani kupec,

veseli nas, da ste se odločili za STIHL. Naše izdelke vrhunske kakovosti razvijamo in izdelujemo v skladu s potrebami naših strank. Tako so naši izdelki tudi pri izjemnih obremenitvah zelo zanesljivi.

STIHL je hkrati sinonim za vrhunski servis. Naši pooblaščenji prodajalci nudijo strokovno svetovanje in uvajanje ter obsežno tehnično podporo.

Zahvaljujemo se vam za zaupanje in vam želimo veliko veselja z vašim izdelkom STIHL.



Dr. Nikola Stihl

POMEMBNO! PREBERITE PRED UPORABO IN SHRANITE.

1. Kazalo

O navodilih za uporabo	292	Odstranjevanje	304
Splošno	292	Opis simbolov	305
Različice po državah	292	Obseg dobave	305
Navodila za branje navodil za uporabo	293	Prva namestitvev	306
Opis naprave	294	Napotki za polnilno postajo	310
Robotska kosilnica	294	Priključki polnilne postaje	312
Polnilna postaja	295	Priključitev omrežja na polnilno postajo	313
Zaslon	296	Material za namestitev	313
Kako deluje robotska kosilnica	297	Nastavitev višine košnje	313
Princip delovanja	297	Napotki pri prvi namestitvi	314
Varnostna oprema	298	Nastavitev jezika, datuma in časa	314
Tipka STOP	298	Namestitev polnilne postaje	315
Blokada naprave	298	Polaganje omejitvene žice	316
Zaščitni pokrovi	298	Priključitev omejitvene žice	319
Senzor trka	298	Seznanjanje robotske kosilnice in polnilne postaje	323
Zaščita pred dvigovanjem	298	Preverjanje namestitve	324
Senzor naklona	299	Programiranje robotske kosilnice	325
Osvetlitev zaslona	299	Zaključek prve namestitve	326
Zahteva za vnos kode PIN	299	Prva košnja po prvi namestitvi	326
GPS-zaščita	299	Aplikacija iMOW®	326
Za vašo varnost	299	Meni	327
Splošno	299	Navodila za upravljanje	327
Oblačila in oprema	300	Prikaz stanja	328
Opozorilo – nevarnosti zaradi električnega toka	300	Območje z informacijami	329
Akumulatorska baterija	301	Glavni meni	330
Transport naprave	301	Začetek	330
Pred zagonom	302	Povratak	330
Programiranje	303	Načrt za košnjo	330
Med obratovanjem	303	Več	332
Vzdrževanje in popravila	304	Nastavitve	332
Skladiščenje pri daljših prekinitvah dela	304	iMOW® – nastavitve naprave	332
		Nastavitev senzorja za dež	333
		Nastavitev prikaza stanja	333
		Namestitev	333
		Nastavitev začetnih točk	334

Neposreden povratek	335	Loputa	350	Načrt servisiranja	374
Varnost	335	Prilagoditev programiranja	350	Potrditev predaje	374
Servis	337	Košnja v avtomatskem načinu	350	Potrditev servisa	374
Informacije	337	Košnja, neodvisna od časov aktivnosti	351	Primeri namestitve	375
Omejitvena žica	338	Robotsko kosilnico priklopite na polnilno postajo	351	Odprtokodna programska oprema	379
Načrtovanje polaganja omejitvene žice	338	Polnjenje baterije	352		
Napravite skico površine za košnjo	339	Vzdrževanje	352		
Polaganje omejitvene žice	339	Vzdrževalni načrt	352		
Priključitev omejitvene žice	340	Čiščenje naprave	353		
Razdalje žice – uporaba merila iMOW® Ruler	340	Preverjanje mej obrabe noža za košnjo	353		
Ostri koti	341	Odstranitev in vgradnja noža za košnjo	354		
Zoženja	341	Brušenje noža za košnjo	355		
Namestitev povezovalnih prog	341	Vgradnja in odstranjevanje sojemalne plošče	355		
Zaporne površine	342	Iskanje prek. žice	355		
Stranske površine	343	Shranjevanje in prezimovanje	356		
Pasaže	343	Odstranjevanje polnilne postaje	357		
Iskalne zanke za zamaknjen povratek	345	Običajni nadomestni deli	358		
Natančno košenje robov	346	Oprema	358		
Padajoč teren vzdolž omejitvene žice	346	Zmanjšanje obrabe in preprečevanje okvar	358		
Priprava rezerve žice	346	Varovanje okolja	358		
Uporaba spojnikov kabla	347	Odstranjevanje baterije	359		
Majhne razdalje do roba	347	Transport	360		
Polnilna postaja	348	Dviganje ali nošenje naprave	360		
Upravljalni elementi polnilne postaje	348	Pritrditev naprave	361		
Navodila za košnjo	348	Izjava o skladnosti	361		
Splošno	348	Izjava EU o skladnosti za električno robotsko kosilnico z baterijskim pogonom (RMI) in s polnilno postajo (ADO)	361		
Mulčenje	349	Tehnični podatki	361		
Časi aktivnosti	349	Sporočila	362		
Trajanje košnje	349	Iskanje napak	370		
Domače območje	349				
Začetek uporabe naprave	349				
Priprava	349				

2. O navodilih za uporabo

2.1 Splošno

Ta navodila za uporabo so **originalna navodila** proizvajalca za obratovanje v smislu direktive ES 2006/42/EC.

Podjetje STIHL nenehno izpopolnjuje svojo ponudbo izdelkov, zato si pridržujemo pravico do spremembe obsega dobave glede oblike, tehnologije in opreme.

Na podlagi podatkov in slik, navedenih v tem priročniku, zato ni mogoče uveljavljati nobenih zahtev.

V teh navodilih za uporabo so lahko opisani modeli, ki niso na voljo v vseh državah.

Ta navodila za uporabo so zaščitena z avtorskimi pravicami. Vse pravice so pridržane, zlasti pravica do razmnoževanja, prevajanja in obdelave z elektronskimi sistemi.

2.2 Različice po državah

Podjetje STIHL dobavlja naprave z različnimi vtiči in stikali, ki so odvisni od države, v katero so naprave dobavljene.

Na slikah so prikazane naprave z vtiči za Evropo. Priključitev naprav z drugimi vtiči je podobna.

2.3 Navodila za branje navodil za uporabo

Slike in besedila opisujejo določene korake uporabe.

Vsi slikovni simboli, ki so nameščeni na napravi, so razloženi v teh navodilih za uporabo.

Smer gledanja:

Smer gledanja pri uporabi »levo« in »desno« v navodilih za uporabo: Uporabnik stoji za napravo in gleda naprej v smeri vožnje.

Kazalo poglavij:

Na ustrezna poglavja in podpoglavja, v katerih najdete dodatna pojasnila, opozarja puščica. Naslednji primer predstavlja sklic na določeno poglavje: (⇒ 3.)

Oznake odsekov besedila:

Opisana navodila so lahko označena kot v naslednjih primerih.

Koraki pri uporabi, ki zahtevajo poseg uporabnika:

- Vijak (1) odvijte z izvijačem, premaknite ročico (2) ...

Splošna naštevanja:

- Uporaba izdelka na športnih ali tekmovalnih prireditvah

Besedila z dodatnim pomenom:

Razdelki z dodatnim pomenom so označeni z enim izmed spodaj navedenih simbolov in so tako dodatno poudarjeni, da v navodilih bolj izstopajo.



Nevarnost!

Nevarnost nesreč in težkih telesnih poškodb. Določeno ravnanje je nujno ali pa ga je treba opustiti.



Opozorilo!

Nevarnost telesnih poškodb. Določeno vedenje preprečuje možne ali verjetne poškodbe.



Pozor!

Z določenim vedenjem lahko preprečite lahke poškodbe ali gmotno škodo.



Opomba

Informacija za boljšo uporabo naprave in izogibanje morebitni napačni uporabi.

Besedila z navezovanjem na sliko:

Nekatere slike, ki so potrebne za uporabo naprave, so na začetku navodil za uporabo.

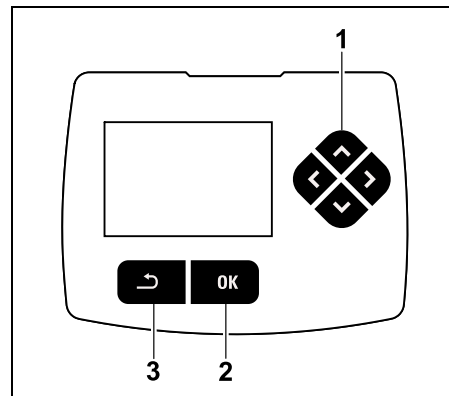
Ta simbol fotoaparata povezuje slike na straneh s slikami z besedilom v navodilih.



Slike z dodanim besedilom:

Korake, vezane na sliko, najdete takoj za sliko z ustrezno navedbo števil postavk.

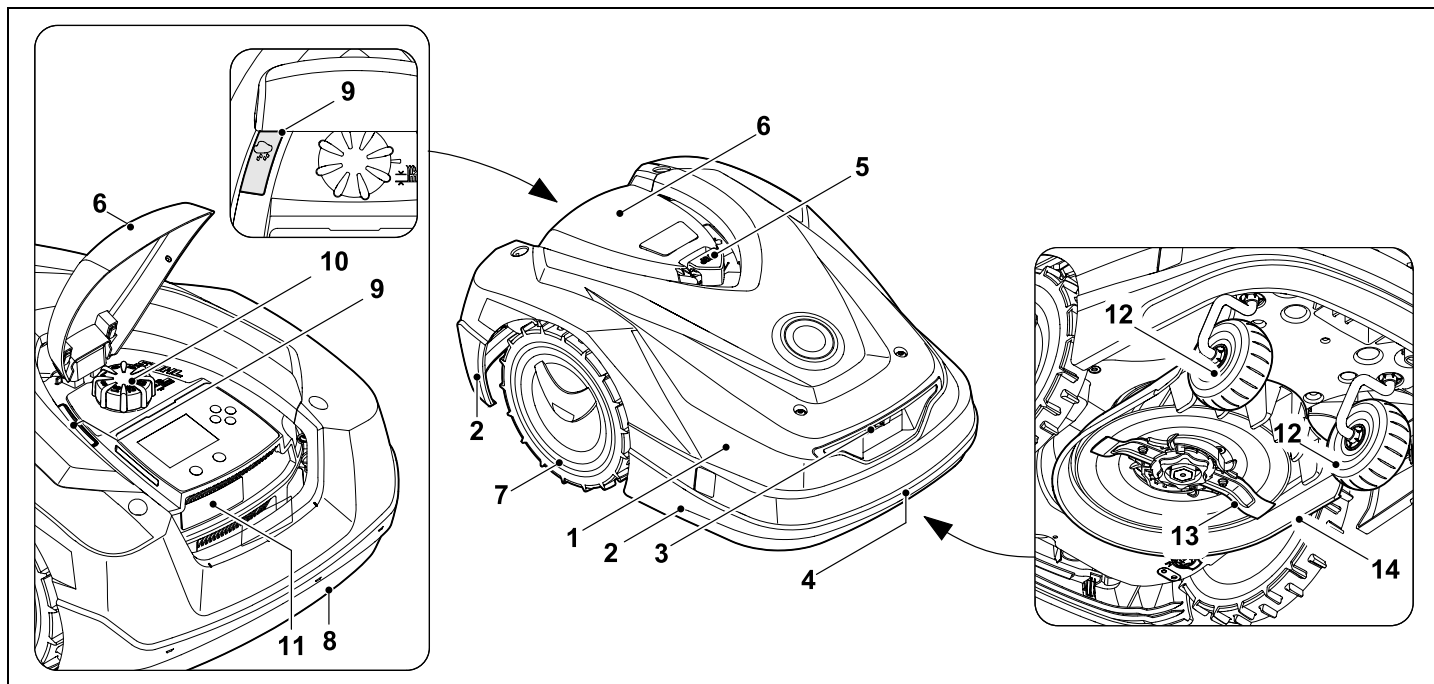
Primer:



Krmilnik (1) omogoča pomikanje po menijih, s tipko OK (2) potrdite nastavitve in odprete menije. S tipko Nazaj (3) lahko znova zapustite menije.

3. Opis naprave

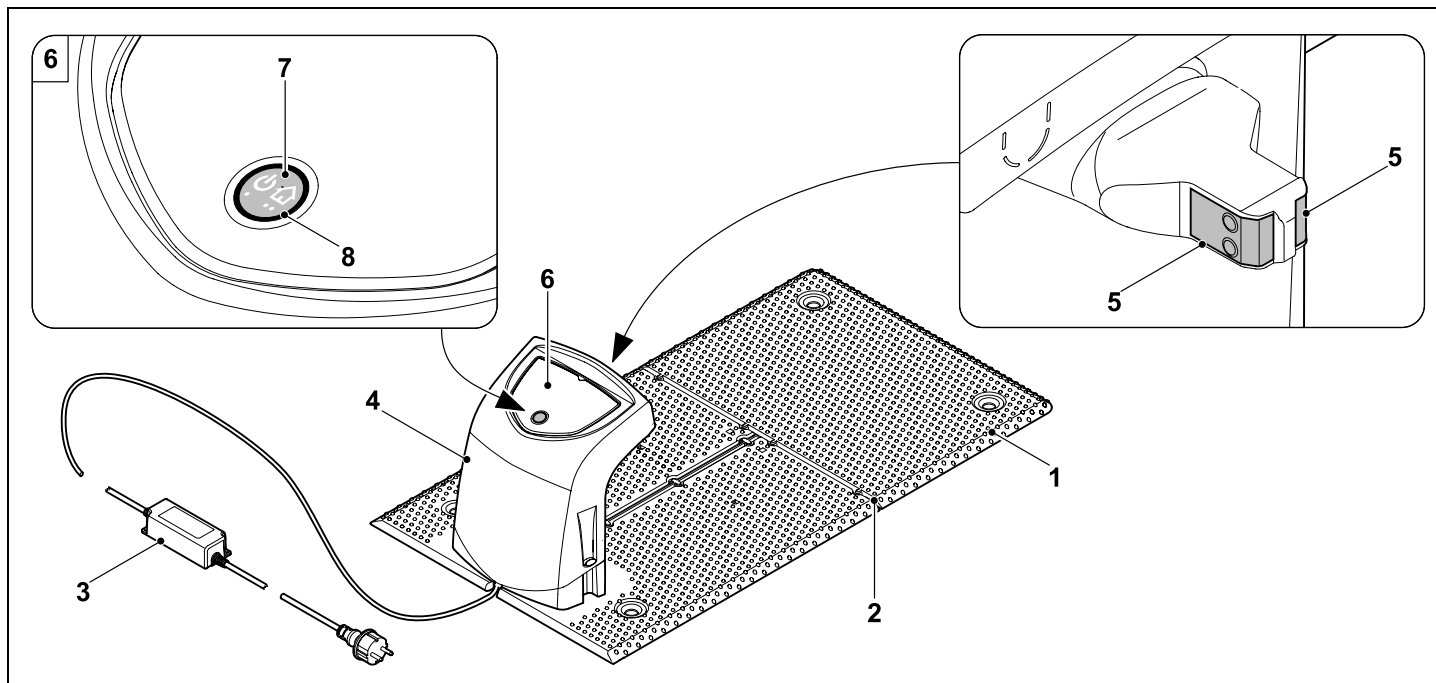
3.1 Robotska kosilnica



- 1 Premično uležajen pokrov (⇒ 5.4), (⇒ 5.5)
- 2 Zaščitna letev
- 3 Polnilni kontakti: priključni kontakti polnilne postaje
- 4 Nosilni ročaj spredaj (vgrajen v premični pokrov) (⇒ 21.1)
- 5 Tipka STOP (⇒ 5.1)
- 6 Loputa (⇒ 15.2)
- 7 Pogonsko kolo

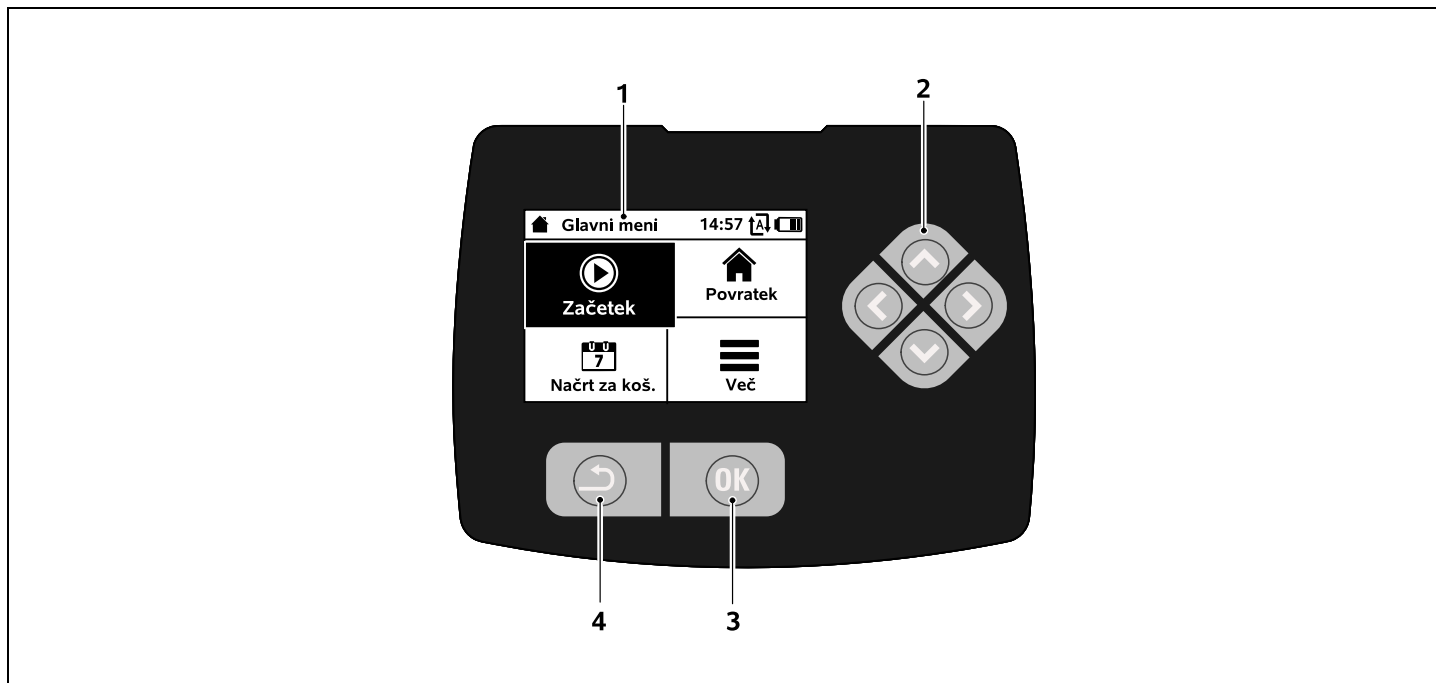
- 8 Nosilni ročaj zadaj (vgrajen v premični pokrov) (⇒ 21.1)
- 9 Senzor za dež (⇒ 11.10)
- 10 Vrtljivi ročaj za nastavitev višine košnje (⇒ 9.5)
- 11 Tipska ploščica s številko stroja
- 12 Sprednje kolo
- 13 Obojestransko nabrušen nož (⇒ 16.4)
- 14 Kosilna naprava

3.2 Polnilna postaja



- 1 Talna plošča
- 2 Kabelska vodila za položitev omejitvene žice (⇒ 9.10)
- 3 Napajalnik
- 4 Snemljiv pokrov (⇒ 9.2)
- 5 Napajalni kontakti:
priključni kontakti robotske kosilnice
- 6 Upravljalna plošča
s tipko in lučko LED (⇒ 13.1)
- 7 Tipka
- 8 Prikaz LED

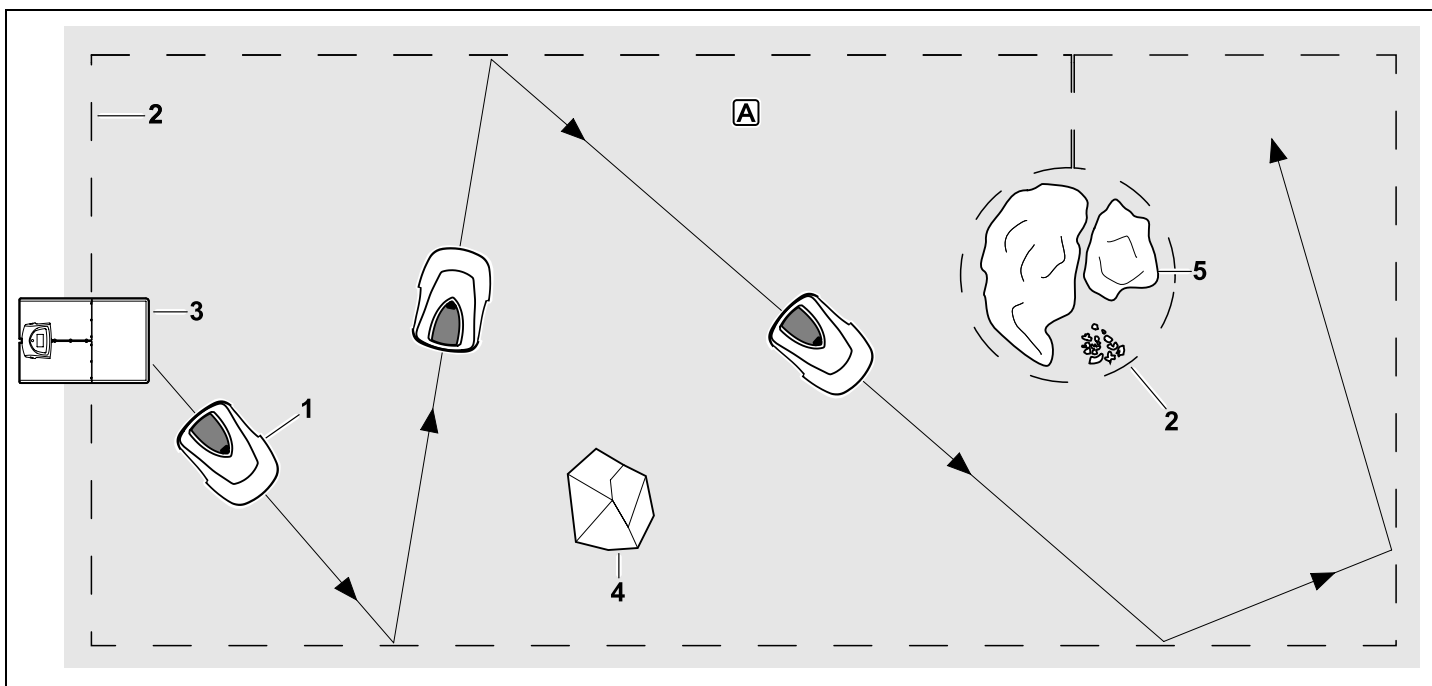
3.3 Zaslón



- 1 Grafični zaslon
- 2 Krmilnik:
Pomikanje po menijih (⇒ 11.1)
- 3 Tipka OK:
Pomikanje po menijih (⇒ 11.1)
- 4 Tipka Nazaj:
Pomikanje po menijih

4. Kako deluje robotska kosilnica

4.1 Princip delovanja



Robotska kosilnica (1) je zasnovana za samodejno obdelavo travnatih površin. Kosi travo na naključno izbranih poteh.

Da robotska kosilnica lahko prepozna meje površine za košnjo **A**, mora biti okrog te površine položena omejitvena žica (2). Skozi njo teče signal žice, ki ga proizvaja polnilna postaja (3).

Nepremične ovire (4) na površini za košnjo robotska kosilnica zazna s pomočjo senzorja trka. Območja (5), ki jih robotska kosilnica ne sme prevoziti, in ovire, na

katere ne sme naleteti, morajo biti od preostale površine za košnjo ločeni s pomočjo omejitvene žice.

Pri vključenem avtomatskem načinu aktivnosti (⇒ 14.3) samodejno zapusti polnilno postajo in kosi trato. Za polnjenje baterije se robotska kosilnica samodejno pelje v polnilno postajo. Kadar je izbran »Standarden« načrt za košnjo, robotska kosilnica kosi in se polni med celotnim aktivnim časom. Kadar je izbran

»Dinamičen« načrt za košnjo, se število ter trajanje postopkov polnjenja in košnje znotraj časov aktivnosti prilagajata popolnoma samodejno.

Pri izklopljenem avtomatskem načinu in za postopke košnje **neodvisno od časov aktivnosti** lahko postopek košnje aktivirate s tipko za košnjo oz. v meniju »Začetek«. (⇒ 11.5)



Robotska kosilnica STIHL lahko zanesljivo in brezhibno deluje v neposredni bližini drugih robotskih kosilnic. Signal žice izpolnjuje zahteve standarda EGMF

(Združenje evropskih proizvajalcev vrtnih naprav) glede elektromagnetnih emisij.

5. Varnostna oprema

Naprava ima varnostno opremo, ki napravi omogoča varno delovanje in jo varuje pred nepooblaščenno uporabo.



Nevarnost telesnih poškodb!

Če na varnostni opremi ugotovite napako, naprave ne smete uporabiti. Obrnite se na pooblaščenega prodajalca. Družba STIHL priporoča pooblaščenega prodajalca izdelkov STIHL.

5.1 Tipka STOP

S pritiskom rdeče tipke STOP na zgornji strani robotske kosilnice nemudoma ustavite delovanje naprave. Nož se v nekaj sekundah zaustavi in na zaslonu se prikaže sporočilo »Tipka STOP pritisnjena«. Medtem, ko je sporočilo aktivno, ne morete zagnati robotske kosilnice, saj je ta v zavarovanem stanju. (⇒ 24.)

Pri **vklopljenem avtomatskem načinu** se po potrditvi sporočila z OK prikaže vprašanje o nadaljevanju avtomatskega delovanja.

Če izberete **Da**, obdeluje robotska kosilnica površino za košnjo v skladu z načrtom za košnjo.



Če izberete **Ne**, ostane robotska kosilnica na površini za košnjo, avtomatski način se izklopi. (⇒ 15.4)



Z dolgim pritiskom tipke STOP se dodatno aktivira blokada naprave. (⇒ 5.2)

5.2 Blokada naprave

Robotsko kosilnico morate blokirati pred vsemi vzdrževalnimi deli in čiščenji, pred transportom ter preverjanjem.

Pri aktivirani blokadi naprave robotske kosilnice ne morete več zagnati.



Aktiviranje blokade naprave:

- **pritisnite in zadržite tipko STOP**,
- v meniju **Več**,
- v meniju **Varnost**.

Aktiviranje blokade naprave v meniju »Več«:

- V meniju »Več« izberite vnos »Blokiraj iMOW®« in potrdite s tipko OK. (⇒ 11.8)

Aktiviranje blokade naprave v meniju »Varnost«:

- V meniju »Več« odprite podmenija »Nastavitve« in »Varnost«. (⇒ 11.16)
- Izberite vnos »Blokada napr.« in potrdite s tipko OK.

Preklic blokade naprave:

- Po potrebi napravo zbudite s pritiskom poljubne tipke.

- Robotsko kosilnico odklenite s prikazano kombinacijo tipk. Za to pritisnite **tipko OK** in **tipko Nazaj** v zaporedju, ki je prikazano na zaslonu.



5.3 Zaščitni pokrovi

Robotska kosilnica je opremljena z zaščitnimi pokrovi, ki preprečujejo nenameren stik z noži za košnjo in pokošeno travo. Za to je pomemben predvsem pokrov.

5.4 Senzor trka

Robotska kosilnica je opremljena s premičnim pokrovom, ki služi kot senzor trka. Kosilnica se takoj zaustavi, če med samodejnim delovanjem naleti na nepremično oviro določene najmanjše višine (8 cm), ki je trdno povezana s podlago. Nato spremeni smer vožnje in nadaljuje s košnjo. Če se senzor trka prepogosto sproži, se dodatno zaustavi nož za košnjo.



Trk ob oviro se izvede z določeno silo. Občutljive ovire oz. lahki predmeti, kot so cvetlični lončki, se lahko zato prevrnejo oz. poškodujejo.

Podjetje STIHL priporoča, da ovire odstranite oz. jih ločite z zapornimi površinami. (⇒ 12.9)

5.5 Zaščita pred dvigovanjem

Če se robotsko kosilnico dvigne za pokrov, se postopek košnje takoj prekine. Nož se v nekaj sekundah ustavi.

5.6 Senzor naklona

Če je med delovanjem prekoračen dovoljen naklon pobočja, robotska kosilnica takoj spremeni smer vožnje. Pri prevrnitvi se pogon in motor za košnjo izklopita.

5.7 Osvetlitev zaslona

Med obratovanjem se aktivira osvetlitev zaslona. Zaradi svetlobe lahko tudi v temi prepoznate robotsko kosilnico.

5.8 Zahteva za vnos kode PIN

Pri aktivirani zahtevi za vnos kode PIN se pri dvigovanju robotske kosilnice zasliši signal alarma, če v roku ene minute ni vnesena koda PIN. (⇒ 11.16)

Robotsko kosilnico lahko zažene izključno skupaj z dobavljeno polnilno postajo. Dodatno polnilno postajo morate seznaniti z robotsko kosilnico. (⇒ 11.16)



Podjetje STIHL priporoča, da nastavite eno od **varnostnih stopenj** na možnost »Nizka«, »Srednja« ali »Visoka«. Tako zagotovite, da nepooblaščen osebe robotske kosilnice ne morejo zagnati z drugimi polnilnimi postajami oz. spreminjati nastavitvev ali programiranja.

5.9 GPS-zaščita

Robotska kosilnica je opremljena s sprejemnikom GPS. Pri aktivirani GPS-zaščiti je lastnik naprave obveščen, kadar

je naprava zagnana zunaj domačega območja. Poleg tega je treba na zaslonu vnesti kodo PIN. (⇒ 14.5)



Priporočilo:
GPS-zaščita naj bo vedno aktivirana. (⇒ 11.16)

6. Za vašo varnost

6.1 Splošno



Pri delu z napravo morate obvezno upoštevati te predpise za preprečevanje nesreč.



Pred prvo uporabo naprave pazljivo preberite celotna navodila za uporabo. Navodila za uporabo shranite za

poznejšo uporabo.

Ti varnostni ukrepi so nujno potrebni za vašo varnost, vendar pa ta seznam ni popoln. Napravo vedno uporabljajte razumno in odgovorno ter upoštevajte, da uporabnik stroja prevzema odgovornost za nezgode, v katerih so udeležene druge osebe ali njihovo imetje.

Pojem »uporabljati« zajema vsa dela na robotski kosilnici, na polnilni postaji in na omejitveni žici.

»Uporabnik« pomeni:

- Osebo, ki je robotsko kosilnico na novo programirala ali spremenila obstoječe programiranje.
- Osebo, ki izvaja dela na robotski kosilnici.
- Osebo, ki napravo zažene ali aktivira.
- Osebo, ki je namestila ali odstranila omejitveno žico oz. polnilno postajo.

Pojem »uporabljati« v teh navodilih za uporabo vključuje tudi uporabo **aplikacije iMOW®**.

Napravo je dovoljeno uporabljati samo, če ste spočiti in v dobrem telesnem ter duševnem stanju. Če niste zdravi, se obrnite na zdravnika, da vam pove, ali je delo z napravo mogoče. Po zaužitju alkohola, drog ali zdravil, ki zmanjšujejo odzivnost, je delo z napravo prepovedano.

Seznanite se z upravljalnimi deli in uporabo naprave.

Napravo smejo uporabljati samo osebe, ki so prebrale navodila za uporabo in so seznanjene z uporabo naprave. Pred prvim zagonom se mora uporabnik potrditi, da dobi strokovna in praktična navodila za uporabo. Uporabnika mora o varni uporabi naprave poučiti prodajalec ali drug izvedenec.

Pri teh navodilih je treba uporabnika posebej opozoriti, da delo z napravo zahteva izjemno pazljivost in koncentracijo.

Tudi če to napravo uporabljate v skladu s predpisi, vseeno obstaja določeno tveganje.



Obstaja smrtna nevarnost zadušitve!

Če se otroci igrajo z embalažo, obstaja nevarnost zadušitve. Otrokom prepričajte dostop do embalaže.

Napravo smete predati oziroma posoditi samo osebam, ki ta model in ravnanje z njim dobro poznajo. Navodila za uporabo so del naprave in jih morate vedno priložiti.

Zagotovite, da je uporabnik telesno, čutno in duševno sposoben upravljanja ter dela z napravo. Če je uporabnik omejeno telesno, čutno in duševno sposoben za

upravljanje ter delo z napravo, lahko z napravo upravlja le pod nadzorom ali po nasvetih odgovorne osebe.

Zagotovite, da je uporabnik polnoleten ali se po državnih zakonskih predpisih usposablja za poklic pod nadzorom.

Pozor – nevarnost nesreče!



Otroci naj se med košnjo ne približujejo napravi in površini za košnjo.



Psi in druge domače živali naj se med košnjo ne približujejo napravi in površini za košnjo.

Zaradi varnosti so vse spremembe na napravi, razen strokovne namestitve opreme in nadgradne opreme, ki jo je odobrilo podjetje STIHL, prepovedane in poleg tega povzročijo prenehanje veljavnosti garancije. Informacije o odobreni dodatni in nadgradni opremi lahko dobite pri pooblaščenem prodajalcu STIHL.

Na napravi je še posebej prepovedano izvajati vsakršne spremembe, ki spremenijo moč oz. število vrtljajev elektromotorjev.

Prepovedane so tudi vse spremembe naprave, ki lahko povečajo oddajanje hrupa.

Programske opreme naprave zaradi varnostnih razlogov ne smete spreminjati.

Pri uporabi na javnih površinah, v parkih, na športnih igriščih, na cestah ter na obdelovalnih in gozdnih območjih bodite še zlasti previdni.

Z napravo ne smete prevažati predmetov, živali ali ljudi, posebej otrok.

Nikoli ne smete dovoliti, da se osebe, zlasti otroci, med delovanjem robotske kosilnice vozijo ob njej ali sedijo na njej.

Pozor – nevarnost nesreče!

Robotska kosilnica je namenjena za samodejno nego trave. Uporaba v druge namene ni dovoljena in je lahko nevarna ali pa povzroči škodo na napravi.

Da ne bi prišlo do morebitnih telesnih poškodb uporabnika, naprave ni dovoljeno uporabljati za naslednja dela (nepopoln seznam):

- za obrezovanje grmovja, žive meje in grmičevja,
- za rezanje vitičastih rastlin,
- za nego trave na strešnih nasadih in balkonskih koritih,
- za sekljanje in drobljenje odpadkov, nastalih pri obrezovanju drevja ter žive meje,
- za čiščenje pešpoti (sesanje, spihovanje),
- za poravnavanje neravnin v tleh, npr. krtin.

6.2 Oblečila in oprema



Vedno nosite trdno obutev z oprijemljivimi podplati in nikoli ne delajte bos ali npr. v sandalih,

- če se bližate robotski kosilnici med obratovanjem.



Pri namestitvi, vzdrževalnih delih in vseh podobnih delih na napravi in polnilni postaji oblecite ustrezna delovna oblečila.

Nikoli ne nosite ohlapnih oblačil, ki se lahko zataknejo za premične dele – prav tako ne nosite nakita, kravata in šalov.

Dolge hlače nosite predvsem,

- če se bližate robotski kosilnici med obratovanjem.



Med vzdrževanjem in čiščenjem, polaganjem žice (polaganje žice in odstranjevanje) in pritrjevanjem polnilne postaje vedno nosite robustne rokavice.

Pri zabijanju pritrditvenih žebeljev in klinov polnilne postaje in pri vseh delih z nožem zavarujte predvsem roke.

Pri vseh delih na napravi morate dolge lase speti in zaščititi (z ruto, kapo itd.).



Pri zabijanju pritrditvenih žebeljev in klinov polnilne postaje nosite ustrezna zaščitna očala.

6.3 Opozorilo – nevarnosti zaradi električnega toka



Pozor! Nevarnost električnega udara!

Za električno varnost posebej pomembni deli so nepoškodovan omrežni kabel in omrežni vtič napajalnika. Poškodovanih kablov, sklopov vtičnic in vtičev ter priključnih vodov, ki niso v skladu s predpisi, ni dovoljeno uporabljati, da se ne izpostavite nevarnosti električnega udara.



Zaradi tega redno preverjajte priključni vod, ali je poškodovan in ali se na njem pojavljajo znaki staranja (krhkost).

Uporabljajte samo originalen napajalnik.

Napajalnika ne smete uporabljati,

- če je poškodovan ali obrabljen,
- če so kabli poškodovani ali obrabljeni. Preverite predvsem kable napajalnika, da niso poškodovani in zastarani.

Vzdrževalna dela in popravila napajalnika in kablov lahko izvajajo le pooblaščen in šolani strokovnjaki.

Nevarnost električnega udara!

Poškodovanega kabla ne priklaplajte v električno omrežje in se ga dotaknite samo takrat, ko je ločen od električnega omrežja.

Priključnih kablov napajalnika ne smete spreminjati (npr. krajšati). Kablov med napajalnikom in polnilno postajo ne smete podaljševati.

Vtič napajalnika smete priključiti na elektroniko polnilne postaje samo v suhem in čistem stanju.

Napajalnika in kabla ne smete za dlje časa postaviti na mokro podlago.

Nevarnost električnega udara!

Poškodovanih kablov, vtičnic, vtičev ali priključnih kablov, ki ne ustrezajo predpisom, ne smete uporabljati.

Vedno pazite, da so uporabljeni omrežni kabli primerno zaščiteni z varovalko.

Električno napajanje prekinite tako, da izvlečete vtič iz vtičnice. Ne vlecite za priključni kabel.

Napravo priključite le na električno napeljavo, ki ima napravo za zaščito pred okvarnim tokom in prožilni tok največ 30 mA. Več informacij lahko dobite pri svojem elektroinstalaterju.

Če je napajalnik priključen na oskrbovanje s tokom zunaj zgradbe, mora biti omrežna vtičnica dovoljena za obratovanje na

prostem. Več informacij o državnih predpisih lahko dobite pri elektroinstalaterju.

Če napravo priključite na generator, ne pozabite, da jo lahko poškodujejo nihanja napetosti.

6.4 Akumulatorska baterija

Uporabljajte samo originalno baterijo.

Akumulatorska baterija je namenjena izključno fiksni vgradnji v robotsko kosilnico STIHL. Ta ji nudi optimalno zaščito in polnjenje, ko je robotska kosilnica v polnilni postaji. Uporabljati ne smete nobenega drugega polnilnika. Uporaba neustreznega polnilnika lahko vodi do nevarnosti električnega udara, pregrevanja ali izhajanja jedke tekočine baterije.

Nikoli ne odpirajte baterije.

Nikoli je ne spustite, da pade.

Ne uporabljajte okvarjenih ali deformiranih baterij.

Zagotovite, da bo baterija shranjena zunaj doseg a otrok.



Nevarnost eksplozije!

Baterijo zaščitite pred neposredno sončno svetlobo, vročino in ognjem – nikoli je ne mečite v ogenj.



Uporabljajte in hranite jo samo v temperaturnem območju od $-10\text{ }^{\circ}\text{C}$ do največ $+50\text{ }^{\circ}\text{C}$.



Zaščitite jo pred dežjem in vlago – ne potaplajte v tekočine.



Baterije ne izpostavljajte mikrovalovom ali visokemu pritisku.

Kontaktov baterije nikoli ne povezuje s kovinskimi predmeti (kratek stik). Kratak stik lahko poškoduje baterijo.

Neuporabljene baterije ne približujte kovinskim predmetom (npr. žebljem, kovancem, nakitu). Ne uporabljajte kovinskih transportnih posod – **nevarnost eksplozije in požara!**

Pri napačni uporabi lahko iz baterije izhaja tekočina – izognite se stiku! Pri nenamernem stiku izperite z vodo. Če tekočina zaide v oči, se obrnite na zdravnika. Iztekajoča tekočina baterije lahko povzroči draženje kože, opekline in kemične opekline.

V prezračevalne odprtine baterije ne zatikajte predmetov.

Nadaljnje varnostne napotke najdete na <http://www.stihl.com/safety-data-sheets>

6.5 Transport naprave

Pred vsakim transportom, zlasti pred dvigovanjem robotske kosilnice, aktivirajte blokado naprave. (⇒ 5.2)

Pred transportom pustite, da se naprava ohladi.

Pri dvigovanju in nošnji se izogibajte stiku z nožem za košnjo. Robotsko kosilnico lahko dvigujete samo za oba nosilna ročaja, nikoli ne segajte pod napravo.

Upošteвайте težo naprave in po potrebi uporabite ustrezne pripomočke za nakladanje (dvigalne naprave).

Napravo in pripadajoče dele naprave (npr. polnilno postajo) na nakladalni površini zavarujte z ustrezno dimenzioniranimi

sredstvi za pritrjevanje (jermeni, vrvmi itd.) na pritržilnih točkah, ki so opisane v navodilih za uporabo. (⇒ 21.)

Pri prevozu naprave upoštevajte veljavne krajevne predpise, zlasti glede varnosti pri natovarjanju in prevozu predmetov na tovornih površinah.

Baterije ne puščajte v avtomobilu in je ne izpostavljajte neposrednim sončnim žarkom.

Z litij-ionskimi baterijami je treba pri transportu rokovati posebej previdno, še posebej je treba paziti na kratkostično varnost. Baterijo prevažajte samo v robotski kosilnici.

6.6 Pred zagonom

Zagotoviti morate, da napravo uporabljajo samo osebe, ki so seznanjene z navodili za uporabo.

Upoštevajte navodila za namestitvev polnilne postaje (⇒ 9.1) in omejitvene žice (⇒ 12.).

Omejitveno žico in napajalni kabel morate dobro pritrčiti na tla, da se ob njih ne morete spotakniti. Izogibajte se polaganju prek robov (npr. na pločnikih, tlakovcih). Pri polaganju na tleh, kamor ni mogoče zabiti pritržitvenih žebeljev (npr. na tlakovcih, pločnikih), uporabite kabelski kanal.

Redno preverjajte ustrezno polaganje omejitvene žice in napajalnega kabla.

Pritrditvene žebelje vedno zabijte do konca, da se ob njih ne morete spotakniti.

Polnilne postaje ne nameščajte na nepreglednih mestih, kjer se lahko ob njo spotaknete (npr. za hišnimi vogali).

Polnilno postajo namestite čim bolj stran od dosega plazečih se živali, kot so mravlje ali polži – zlasti ne na področju mravljišč in komposta.

Območja, ki jih robotska kosilnica ne more prevoziti brez nevarnosti (npr. zaradi nevarnosti padca), omejite tako, da ustrezno položite omejitveno žico. Podjetje STIHL priporoča, da robotsko kosilnico zaženete samo na travnatih površinah in utrjenih poteh (npr. tlakovani dovozi).

Robotska kosilnica ne prepozna mest, kjer je mogoč padec, kot so robovi, spusti, plavalni bazeni ali ribniki. Če je omejitvena žica položena vzdolž možnih mest padca, morate iz varnostnih razlogov med omejitveno žico in mestom nevarnosti upoštevati razdaljo več kot **1 m**.

Redno preverjajte zemljišče, na katerem boste uporabljali napravo, ter odstranite vse večje kamne, palice, žice, kosti in vse druge tujke, ki bi jih lahko naprava izvrгла z veliko hitrostjo.

Po namestitvi omejitvene žice s površine za košnjo odstranite predvsem vsa orodja. Prelomljene ali poškodovane pritrditvene žebelje izvlecite iz ruše in jih odstranite.

Redno preverjajte neravnine na površinah za košnjo in jih odstranite.

Naprave nikdar ne uporabljajte, če varnostnih naprav ni, so poškodovane ali niso vgrajene.

Na napravo nameščenih stikalnih in varnostnih naprav ne smete odstraniti ali prenesti.

Pred uporabo naprave zamenjajte okvarjene ter obrabljene in poškodovane dele. Nečitljiva ali poškodovana obvestila o nevarnostih in opozorila na napravi

morate zamenjati. Nadomestne nalepke in druge nadomestne dele najdete pri pooblaščenem prodajalcu izdelkov STIHL.



Nevarnost telesnih poškodb!

Obrabljeni ali poškodovani deli (npr. topi noži) lahko vplivajo na varnost naprave in privedejo do telesnih poškodb uporabnika.

Pred vklopom preverite,

- ali je naprava v brezhibnem stanju. To pomeni, da so prekritja, zaščitne naprave in loputa na svojem mestu ter v brezhibnem stanju;
- ali je polnilna postaja v brezhibnem stanju. Pri tem morajo biti vsa prekritja in zaščitne naprave pravilno nameščeni ter v brezhibnem stanju;
- ali je električni priključek napajalnika nameščen izključno na po predpisih vgrajeno omrežno vtičnico;
- ali je na napajalniku izolacija priključnega kabla in omrežnega vtičnika brezhibna;
- ali je celotna naprava (ohišje, pokrov, loputa, pritržilni elementi, nož, gred noža itd.) v dobrem stanju in nepoškodovana;
- ali sta nož za košnjo in pritrđitev noža v stanju, ki je v skladu s predpisi (trdna lega, poškodbe, obraba); (⇒ 16.3)
- ali so vsi vijaki, matice in drugi pritrđilni elementi na mestu ter dobro priviti. Razrahljane vijake in matice pred začetkom uporabe zategnite (upoštevajte zatezne momente).

Po potrebi opravite vsa potrebna dela oziroma poiščite specializiranega trgovca. Družba STIHL priporoča pooblaščenega prodajalca izdelkov STIHL.

6.7 Programiranje

Upošteвайте lokalne predpise za čase obratovanja vrtnih naprav s pogonom na elektromotor in ustrezno programirajte čase aktivnosti. (⇒ 14.3)

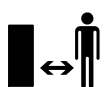
Programiranje prilagodite predvsem tako, da se med košnjo na površini za košnjo ne nahajajo otroci, gledalci ali živali.

Zaradi spremembe programiranja prek aplikacije iMOW® se lahko izvedejo aktivnosti, ki jih druge osebe ne pričakujejo. O spremembah načrta za košnjo zato vedno predhodno obvestite udeležene osebe.

Robotske kosilnice ne smete uporabljati istočasno z namakalno napravo, zato ustrezno prilagodite programiranje.

Prepričajte se, da sta na robotski kosilnici datum in čas ustrezno nastavljeni. Po potrebi popravite nastavitve. Napačne vrednosti lahko vodijo do nenamerne vožnje robotske kosilnice.

6.8 Med obratovanjem



Druge osebe, še posebej otroci in živali, naj se ne zadržujejo v nevarnem območju.

Nikoli ne smete dovoliti, da se otroci približajo robotski kosilnici ali se z njo igrajo.

Začetek postopka košnje prek aplikacije iMOW® je lahko za tretje osebe nepričakovan dogodek. Zato te osebe vedno predhodno obvestite o mogoči aktivnosti robotske kosilnice.

Robotske kosilnice nikoli ne pustite delovati, kadar so v bližini še živali ali druge osebe – posebej otroci.

Pri uporabi robotske kosilnice na prostem je treba okoli površine za košnjo postaviti table z naslednjim napotkom:

»Opozorilo! Samodejna kosilnica! Ne zadržujte se v bližini stroja! Otroci morajo biti pod nadzorom!«



Pozor – nevarnost telesnih poškodb!

Rok ali nog nikoli ne približujte k vrtečim se delom ali pod njih. Nikoli se ne dotikajte vrtečega se noža.

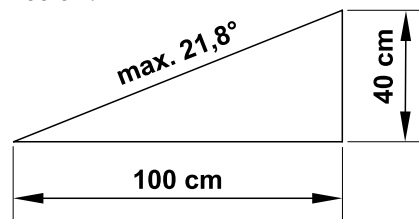
Pred nevihtami oz. pri nevarnosti udara strele izklopite napajalnik iz električnega omrežja. Robotske kosilnice takrat ne smete uporabljati.

Robotske kosilnice z delujočim elektromotorjem nikoli ne nagibajte in ne dvigujte.

Nikoli ne poizkušajte spreminjati nastavitve na napravi, ko teče eden od elektromotorjev.

Iz varnostnih razlogov je dovoljeno kosilnico uporabljati le do naklona 21,8° (40 %).

Nevarnost poškodb! Naklon pobočja 21,8° ustreza padcu 40 cm pri dolžini 100 cm.



Pri izteku vrtenja rezalnega orodja pazite, saj traja nekaj sekund, preden se popolnoma umiri.

Med aktivnim delovanjem pritisnite **tipko STOP** (⇒ 5.1),

– preden odprete loputo.

Aktivirajte **blokado naprave** (⇒ 5.2),

– preden napravo dvignete in nosite,

– preden napravo prevažate,

– preden odstranite blokade ali očistite zamašitve,

– preden izvedete dela na nožu za košnjo,

– preden pregledate ali čistite napravo,

– če je naprava zadela ob tujek ali če se začne robotska kosilnica neobičajno močno tresti. V takih primerih preverite napravo, še posebej rezalno enoto (nož, gred noža, pritrditev noža), ali je poškodovana, in pred ponovnim vklopom ter delom opravite potrebna popravila.



Nevarnost poškodb!

Močno tresenje praviloma opozarja na motnjo.

Robotske kosilnice ne smete uporabljati, zlasti če je gred noža poškodovana ali upognjena oz. če je kosilni nož poškodovan ali upognjen.

Če nimate potrebnih znanj, se za potrebna popravila vedno obrnite na strokovnjaka – podjetje STIHL priporoča, da se obrnete na specializiranega trgovca STIHL.

Preden zapustite napravo, prilagodite varnostne nastavitve robotske kosilnice, tako da je nepooblaščen osebe ne morejo zagnati. (⇒ 5.)

Pri upravljanju stroja in njegovih zunanjih naprav se ne iztegujte ter vedno pazite na ohranjanje ravnotežja, trdno stojte na pobočjih in ob stroju vedno hodite, ne tecite.

Naprave nikoli ne uporabljajte v bližini odprtega ognja.

6.9 Vzdrževanje in popravila

Pred izvajanjem čiščenja-, popravil- in vzdrževalnih del aktivirajte blokado naprave in robotsko kosilnico postavite na ravno podlago.



Pred izvedbo kakršnih koli del na polnilni postaji in na omejitveni žici izvlcite omrežni vtič napajalnika.



Pred izvedbo vzdrževalnih del naj se robotska kosilnica hladi približno 5 minut.

Omrežni kabel sme popraviti ali zamenjati izključno pooblaščen elektroinstalater.

Po vseh izvedenih delih na napravi morate pred ponovnim zagonom preveriti programiranje robotske kosilnice in ga po potrebi prilagoditi. Nastaviti morate zlasti datum in čas.

Čiščenje:

Celotno napravo morate redno skrbno čistiti. (⇒ 16.2)

Curka vode (zlasti visokotlačnega čistilnika) nikoli ne usmerite v dele motorja, tesnila, ležajna mesta in električne dele. Posledica tega so lahko poškodbe oziroma draga popravila. Naprave ne čistite pod tekočo vodo (na primer z vrtno cevjo). Ne uporabljajte agresivnih čistil. Ta lahko poškodujejo umetne mase in kovine, kar lahko vpliva na varno uporabo vaše naprave STIHL.

Vzdrževalna dela:

Izvajate lahko samo vzdrževalna dela, ki so opisana v teh navodilih za uporabo. Vsa druga vzdrževalna dela mora izvesti

pooblaščen prodajalec.

Če nimate potrebnih znanj in pripomočkov, se **vedno** obrnite na pooblaščenega prodajalca.

Družba STIHL priporoča, naj vzdrževalna dela in popravila izvajajo samo pooblaščen prodajalci izdelkov STIHL. Pooblaščen prodajalci izdelkov STIHL se redno šolajo in dobivajo tehnične informacije.

Uporabljajte izključno orodje, dodatno opremo ali nadgradno opremo, ki jo je družba STIHL potrdila za to napravo, ali tehnično enake dele, saj v nasprotnem primeru obstaja nevarnost nesreč, pri katerih lahko pride do telesnih poškodb ali škode na napravi. Če imate vprašanja, se obrnite na pooblaščenega prodajalca.

Originalno orodje, dodatna oprema in nadomestni deli STIHL so optimalno prilagojeni na napravo in zahteve uporabnika. Originalne nadomestne dele STIHL boste prepoznali po številki nadomestnega dela STIHL, po napisu STIHL, po potrebi pa tudi po oznaki nadomestnega dela STIHL. Manjši deli imajo lahko tudi samo znak.

Nalepke z opozorili in napotki naj bodo vedno čiste in čitljive. Namesto poškodovane ali izgubljene nalepke si morate pri pooblaščenem prodajalcu izdelkov STIHL priskrbeti nove originalne napise. Če poškodovani sestavni del zamenjate z novim, pazite, da so na novem delu enake nalepke.

Dela na rezalni enoti izvajajte samo z zaščitnimi rokavicami in nadvse pazljivo.

Poskrbite, da so vse matice in vijaki, predvsem pa vijaki in pritrdilni elementi rezalne enote dobro priviti, tako da bo naprava v brezhibnem stanju.

Redno pregledujte celotno napravo, še posebej pred shranjevanjem naprave, na primer pred daljšimi prekinitvami dela (zimski premor), ali če opazite obrabo in poškodbe. Obrabljene ali poškodovane dele iz varnostnih razlogov takoj zamenjajte, da bo naprava vedno v brezhibnem stanju.

Če zaradi vzdrževanja odstranite sestavne dele ali zaščitne naprave, jih nemudoma skladno s predpisi znova namestite.

6.10 Skladiščenje pri daljših prekinitvah dela

Pred skladiščenjem

- napolnite baterijo, (⇒ 15.7)
- nastavite najvišjo varnostno stopnjo, (⇒ 11.16)
- nastavite robotsko kosilnico na zimski počitek. (⇒ 11.17)

Zavarujte napravo pred dostopom nepooblaščenih oseb (npr. otrok).

Napravo shranite v brezhibnem stanju.

Pred skladiščenjem (na primer pred zimo) napravo temeljito očistite.

Preden napravo ustavite v zaprtem prostoru, počakajte 5 minut, da se ohladi.

Skladiščni prostor mora biti suh, zaščiten proti zmrzovanju in zaprt.

Naprave nikoli ne skladiščite blizu odprtega ognja oz. močnih virov toplote (npr. peči).

6.11 Odstranjevanje

Odpadne snovi lahko škodujejo ljudem, živalim in okolju in jih morate zato strokovno odstraniti.

V centru za recikliranje ali pri svojem specializiranem trgovcu lahko izveste, kako se odpadne snovi strokovno odstrani. Družba STIHL priporoča pooblaščenega prodajalca izdelkov STIHL.

Zagotovite strokovno odstranitev odslužene naprave. Pred odstranitvijo poskrbite, da bo naprava neuporabna. Da bi preprečili nesreče, odstranite napajalni kabel napajalnika in baterijo z robotske kosilnice.

Nevarnost telesnih poškodb zaradi noža za košnjo!

Tudi odslužene vrtno kosilnice nikoli ne puščajte brez nadzora. Zagotovite, da so naprava in še posebej noži za košnjo hranjeni zunaj dosega otrok.

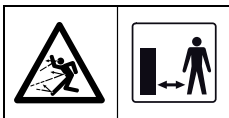
Baterijo morate shranjevati ločeno od naprave. Zagotoviti morate, da baterije varno in okolju prijazno odstranite.

7. Opis simbolov



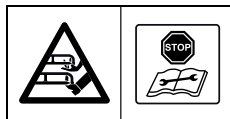
Opozorilo!

Pred prvo uporabo preberite navodila za uporabo.



Opozorilo!

Med obratovanjem upoštevajte varnostno razdaljo od naprave. Druge osebe naj se ne zadržujejo v območju nevarnosti.



Opozorilo!

Nikoli se ne dotikajte vrtečega se noža.

Opozorilo!

Blokirajte napravo, preden jo dvignete ali preden na njej izvajate dela.



Opozorilo!

Ne sedite ali plezajte na napravo.



Opozorilo!

Nikoli se ne dotikajte vrtečega se noža.



Opozorilo!

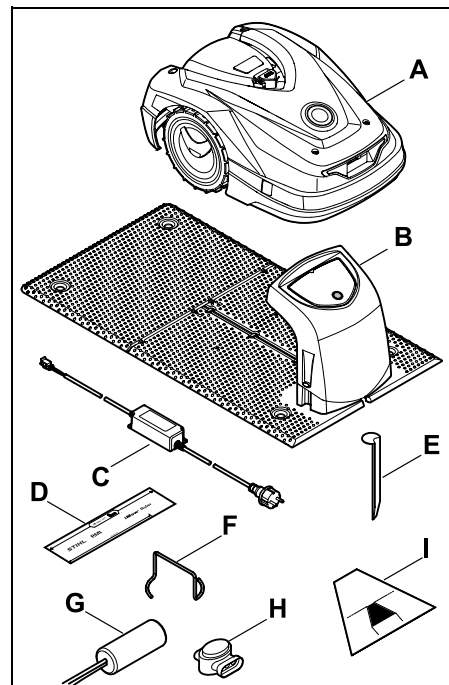
Otroci naj se med košnjo ne približujejo napravi in površini za košnjo.



Opozorilo!

Psi in druge domače živali naj se med košnjo ne približujejo napravi in površini za košnjo.

8. Obseg dobave



Ozn.	Naziv	Št. kosov
A	Robotska kosilnica	1
B	Polnilna postaja	1
C	Napajalnik	1
D	iMOW® Ruler*	2
E	Klin za polnilno postajo	4
F	Snemalnik za sojemalno ploščo	1
G	AKM 100	1
H	Spojnik kabla	2
I	Šablona za pasaže*	1
-	Navodila za uporabo	1

* ta del je treba poiskati v kartonastem vložku znotraj embalaže.

9. Prva namestitvev

Za enostavno, hitro in robustno namestitvev upoštevajte določila in napotke, predvsem razdaljo žice 28 cm pri polaganju. (⇒ 12.)

Pokošeno površino lahko povečate tako, da omejitveno žico položite bližje robu. (⇒ 12.17) Zaradi varnega delovanja je razdalja žice pri polaganju nastavljena v skladu s krajevnimi okoliščinami.

Kratka navodila za iMOW®

Robotski kosilnici so kot pomoč priložena dodatna kratka navodila za namestitvev polnilne postaje in položitev omejitvene žice. Podrobne informacije poiščite v posameznih poglavjih teh navodil za uporabo. Kratka navodila vedno uporabljajte skupaj z navodili za uporabo robotske kosilnice.

Kratka navodila za iMOW®

Zmanjšan prikaz strani 1:



OSNOVNA NAMESTITEV

POSTAVLJANJE NOTRANJE POLNILNE POSTAJE IN POLOŽITEV OMEJITVENE ŽICE

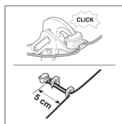
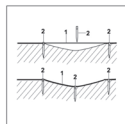
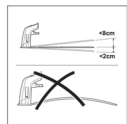
TA KRATKA NAVODILA UPORABLJAJTE LE SKUPAJ Z NAVODILI ZA UPORABO SVOJE ROBOTSKE KOSILNICE.

1. Pred namestitvijo naredite skico vrta.
2. Polnilno postajo namestite na ustreznem mestu in na njej napolnite kosilnico iMOW®.
3. Kosilnico iMOW® zbudite s pritiskom tipke »OK« in sledite navodilom do sporočila »Položite žico«.
4. Za določanje razdalj uporabite, merilo iMOW® Ruler in šablono za pasaže.
5. Ko se prikaže sporočilo »Priključite žico«, nadaljujte namestitev in sledite navodilom do konca.

Pripravljalni ukrepi za namestitev:

- Površino za košnjo pred uporabo pokosite z običajno kosilnico na višino $\times 6$ cm.
- Površine za košnjo se ne smejo prekrivati. Najmanjša razdalja med omejitvenimi žicami je $\times 1$ m.
- Največja razdalja med robotsko kosilnico iMOW® in omejitveno žico: 17 m.
- Nastavite višino košnje kosilnice iMOW®. Priporočilo: Stopnja rezanja 4.
- Priporočamo odstranjevanje virov motenj, kot so kovine.

☑ 9/1/9.5/9.9



Položaj polnilne postaje:

- V senči, zaščiten, vodoravno
- Razdalja do zaporne površine: $\times 2$ m
- Priporočamo uporabo vičnice s prenapetostno zaščito.

☑ 9/1/12.9

Položitev omejitvene žice:

- Omejitveno žico (1) položite nad zemljo v enakih razdaljah in pritržite s pritržitvenimi žebji (2). V primeru neravnin uporabite dodatne pritržitvene žebje. Žico položite brez križanja.

☑ 12.3

Pravilna namestitev spojnih kablov:

- Proste, neizolirane konce žice do konca zatakajte v spojnik kabla. Spojnik kabla stisnite z ustreznimi kleščami – pazite, da se ustrezno zaskoči.

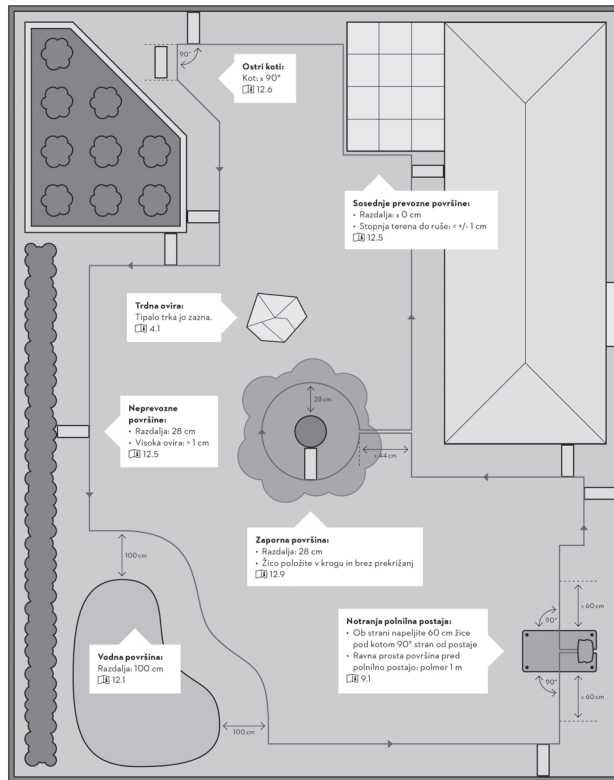
☑ 12.16

Robotске kosilnice STIHL iMOW® so skladne z vsemi veljavnimi varnostnimi standardi. Vseeno velja: Robotska kosilnica iMOW® ni igrača. Med časi aktivnosti robotske kosilnice iMOW® morate dhati otroke, mimoidoče in živali držati stran od delovnega območja.

Dodatna oprema AKM 100 za majhne vrtove:

- Za dolžine omejitvene žice $\times 80$ m.

☑ 9.9



Podpora: <https://support.stihl.com/>

☑ Navodila za uporabo | ➔ Omejitvena žica | iMOW® Ruler | ☑ Šablona za pasaže

Ilustracija ne vsebuje

RAZŠIRJENA NAMESTITEV

POSTAVLJANJE ZUNANJE POLNILNE POSTAJE IN POLOŽITEV OMEJITVENE ŽICE PRI POSEBNIH PRIMERIH

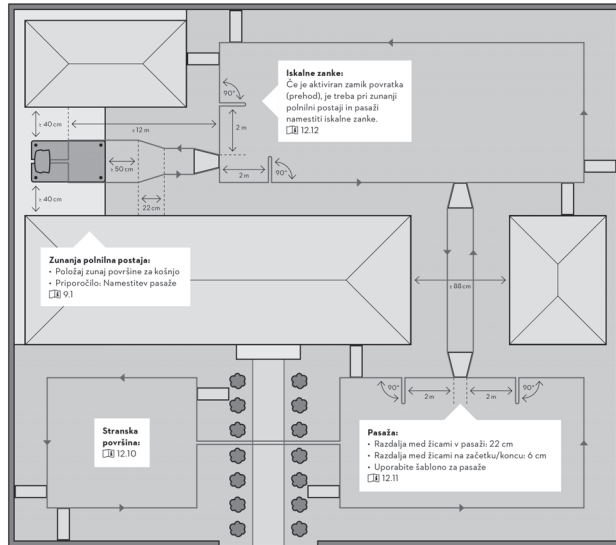


Padajoč teren na površini za košnjo:

Da lahko robotska kosilnica samodejno in brezhibno kosj padajoče območje površine za košnjo, mora biti omejitvena žica na naklonu (1) nameščena z najmanjšo razdaljo do roba terena. Razdalja: 0,5 m
☐ 12.14

Začetne točke:

Površine za košnjo, ki jih kosilnica doseže prek pasaže ali zunanje polnilne postaje, morajo imeti eno začetno točko.
☐ 9.8/11.13/11.14/12.11



ilustracija ne bistvice

Podpora: <https://support.stihl.com/>

0477-810-5771 SL-13

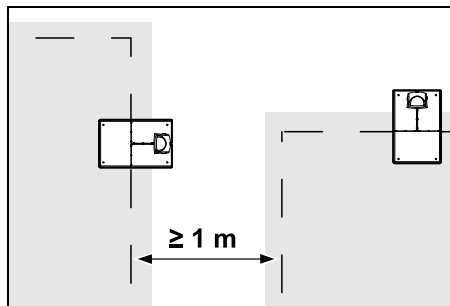
9.1 Napotki za polnilno postajo

Zahteve glede mesta polnilne postaje:

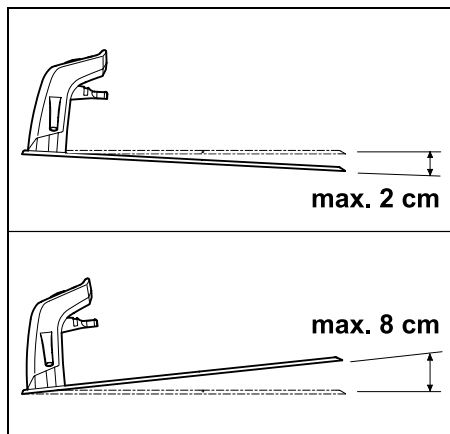
- **zaščiteno, senčno.**
Neposredni sončni žarki lahko povzročijo povišane temperature naprave in daljše čase polnjenja baterije.
Na polnilni postaji lahko kot dodatno dobavljivo opremo namestite senčilo. Z njim je robotska kosilnica boljše zaščiten pred vremenskimi vplivi.
- **pregledno.**
Polnilna postaja mora biti na zeleni lokaciji dobro vidna, da se ob njo nihče ne more spotakniti.
- **v neposredni bližini ustrezne vtičnice.**
Omrežni priključek sme biti od polnilne postaje oddaljen le toliko, da lahko električni kabel priključite tako na polnilno postajo kot na omrežni priključek – ne spreminjajte električnega kabla.
Priporočamo uporabo vtičnice s prenapetostno zaščito.
- **brez virov motenj.**
Kovine, železovi oksidi ali magnetni oziroma električno prevodni materiali ali stare namestitve omejitvene žice lahko motijo košnjo. Priporočamo, da odstranite te vire motenj.
- **vodoravno in ravno.**
Neravna tla močno vplivajo na priklop robotske kosilnice v polnilno postajo. Paziti morate, da je podlaga pod talno ploščo polnilne postaje vodoravna in brez neravnin. Po potrebi izravnajte tla.

Pripravljalni ukrepi:

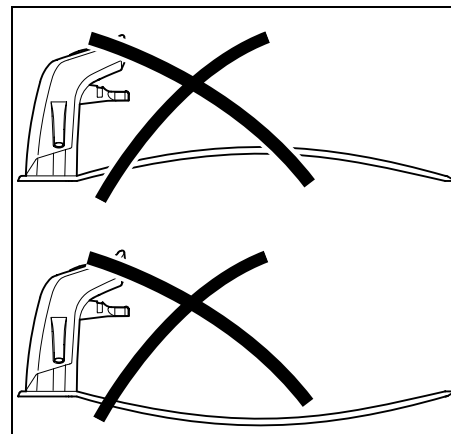
- Travo pred prvo namestitvijo pokosite z običajno kosilnico (optimalna višina največ 6 cm).
- Pri trdi in suhi podlagi površino za košnjo rahlo namočite, da olajšate zabijanje pritrditvenih žebeljev.



Površine za košnjo se ne smejo prekrivati. Upoštevajte najmanjšo razdaljo $\geq 1 \text{ m}$ med omejitvenimi žicami dveh površin za košnjo.



Polnilna postaja je lahko nagnjena največ 8 cm nazaj in 2 cm naprej.

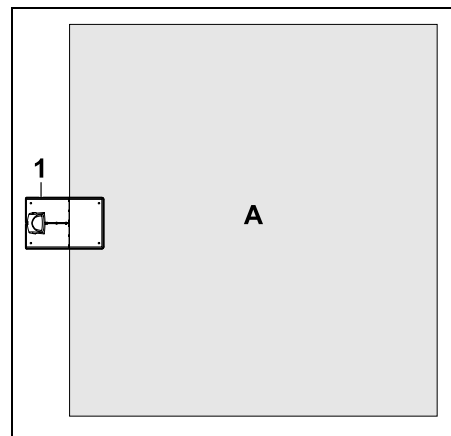


Talne plošče nikoli ne ukrivljajte. Odpravite neravnine pod talno ploščo. Plošča se mora po vsej površini dotikati tal.

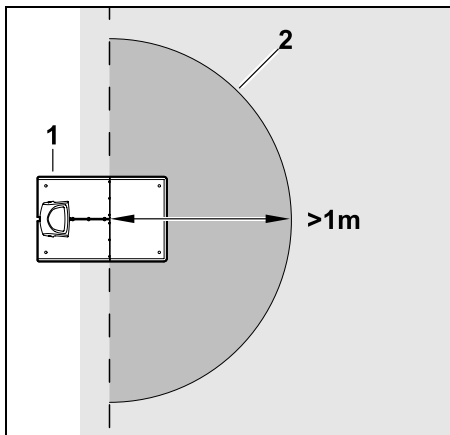
Načini namestitve:

Polnilno postajo lahko namestite znotraj ali zunaj.

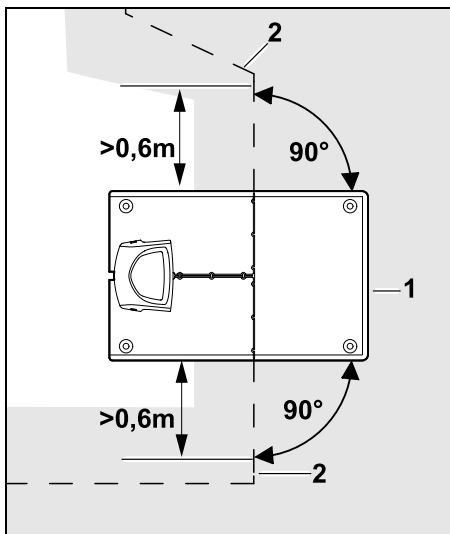
Notranja polnilna postaja:



Polnilna postaja (1) je znotraj površine za košnjo (A), neposredno ob robu.

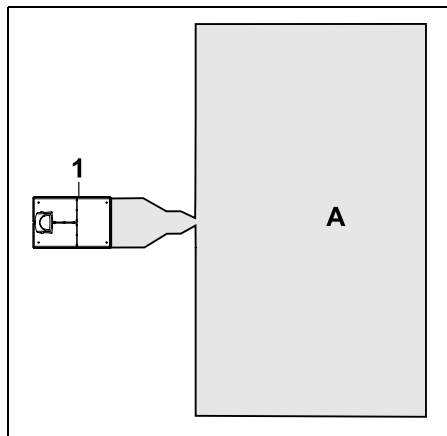


Pred polnilno postajo (1) mora biti ravna prosta površina (2) s polmerom najmanj 1 m. Odpravite grbine ali vdolbine.



Pred polnilno postajo (1) in za njo položite omejitveno žico (2) **0,6 m** naravnost in pravokotno na talno ploščo. Nato z omejitveno žico sledite robu površine za košnjo.

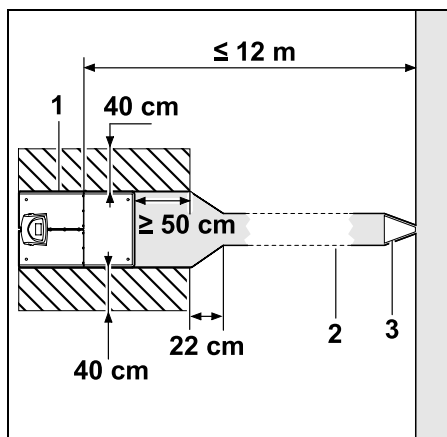
Zunanja polnilna postaja:



Polnilna postaja (1) je nameščena zunaj površine za košnjo (A).

i V kombinaciji z zunanjo polnilno postajo mora biti za zamaknjen povratek nameščena **iskalna zanka**. (⇒ 12.12)

Prostorske zahteve zunanje polnilne postaje:



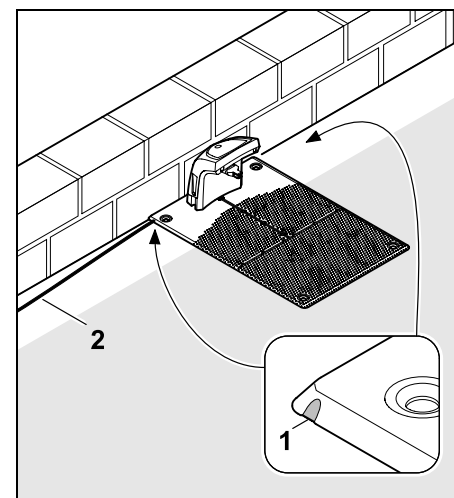
Za pravilno delovanje priklopa in odklopa lahko polnilno postajo (1) namestite s pasažo (2), kot je prikazano na sliki. Območja okoli polnilne postaje in zunaj omejitvene žice morajo biti ravna in prosto prevozna. Odpravite grbine ali vdolbine.

Za namestitev pasaže (2) uporabite šablono za pasaže (3). (⇒ 12.11)

Najmanjša razdalja od talne plošče do začetka pasaže: ≥ 50 cm

Širina proste površine ob strani: 40 cm
Največja razdalja do površine za košnjo: ≤ 12 m

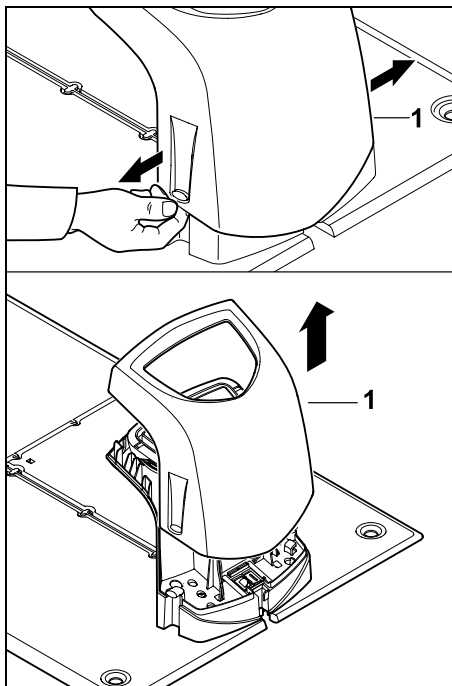
Polnilno postajo namestite na steno:



Če je polnilna postaja nameščena na steno, je treba v levo ali desno stran talne plošče s kombinirkami vstaviti mostiček (1), da naredite prostor za omrežni kabel (2).

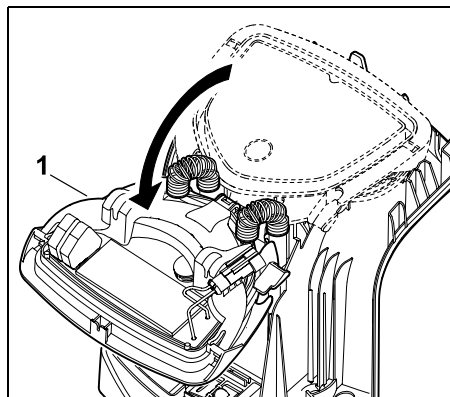
9.2 Priključki polnilne postaje

Odstranitev pokrova:

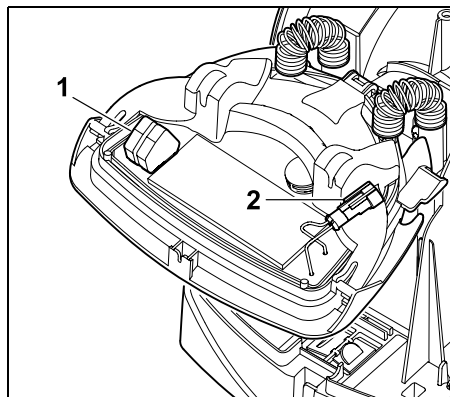


Pokrov (1) narahlo povlecite narazen na levo in desno ter odstranite navzgor, kot je prikazano na sliki.

Odpiranje plošče:

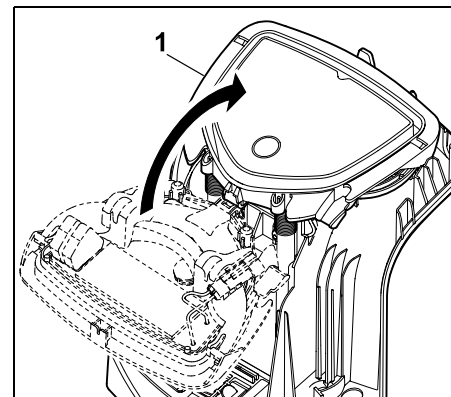


Ploščo (1) odprite naprej. Ploščo pridržite v odprtem položaju, saj bi se zaradi tečajnih vzmeti sicer samodejno zaprla.



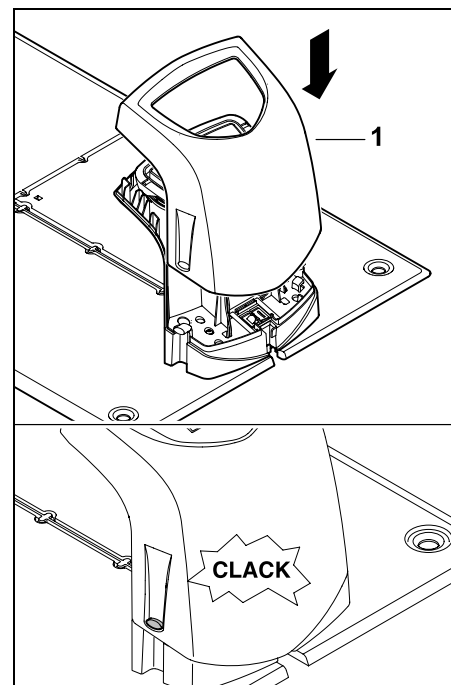
Priključke za omejitveno žico (1) in električni kabel (2) je pri zaprti plošči treba zaščititi pred vremenskimi vplivi.

Zapiranje plošče:



Ploščo (1) zaprite nazaj – pazite, da ne ukleščite kablov.

Namestite pokrov:

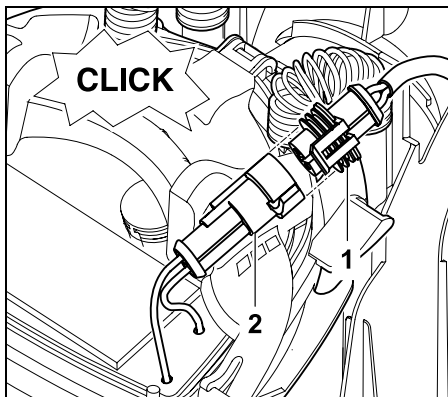


Pokrov (1) postavite na polnilno postajo in pustite, da se zaskoči – pazite, da ne ukleščite kablov.

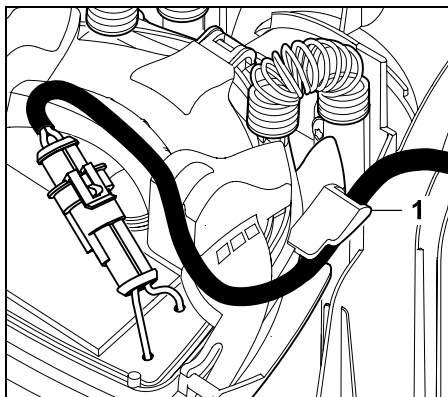
9.3 Priklučitev omrežja na polnilno postajo

i **Napotek:**
Vtič in vtičnica morata biti čista.

- Odstranite pokrov polnilne postaje in odprite ploščo. (⇒ 9.2)

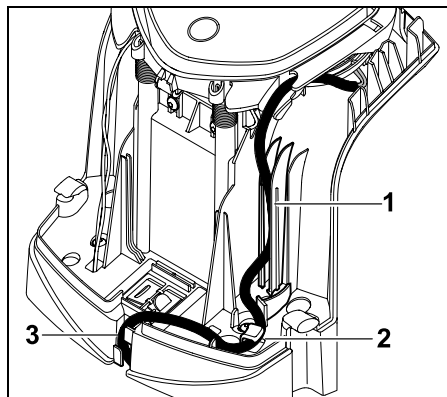


Vtič napajalnika (1) priključite na vtičnik polnilne postaje (2).



Električni kabel napeljite skozi kabelsko vodilo (1) na plošči.

- Ploščo zaprite. (⇒ 9.2)

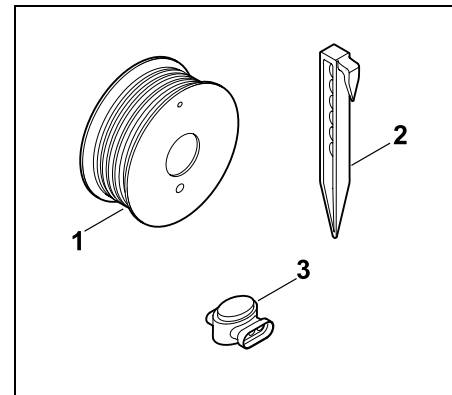


Električni kabel napeljite skozi kabelsko vodilo (1), skozi zaščito proti izvleku kabla (2), skozi kabelski kanal (3) in naprej do napajalnika, kot je prikazano.

- Zaprite pokrov polnilne postaje. (⇒ 9.2)

9.4 Material za namestitev

Če omejitvene žice ni položil specializirani trgovec, je za obratovanje robotske kosilnice nujen dodatni material za namestitev, ki ni priložen. (⇒ 18.)



Namestitveni paketi vključujejo omejitveno žico na kolutu (1) pritrditvene žeblice (2) in spojnike kabla (3). Namestitveni paketi lahko vključujejo tudi dodatne dele, ki niso potrebni za namestitev.

9.5 Nastavitev višine košnje

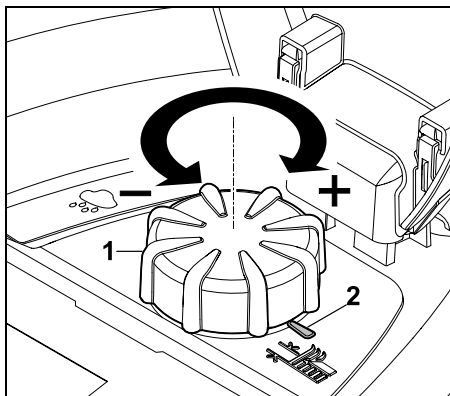
i V prvih tednih, dokler omejitvene žice ne preraste trava, nastavite višino košnje najmanj na **stopnjo 4**, da zagotovite varno uporabo.

Stopnje **S1**, **S2** in **S3** so posebne višine za zelo ravne površine (neravnine tal < +/- 1 cm).

Najnižja višina košnje:
stopnja S1 (20 mm)

Najvišja višina košnje:
stopnja 8 (60 mm)

– Odprite loputo. (⇒ 15.2)



Obrnite vrtilni gumb (1). Oznaka (2) kaže na nastavljeno višino košnje.

i Vrtilni gumb se lahko z zgornje strani sname z nastavitvenega elementa. Ta zasnova služi varnosti (tako naprave ne morete dvigniti in nositi za vrtilni gumb) oz. zaščiti spremembe višine košnje s strani nepooblaščenih oseb.

9.6 Napotki pri prvi namestitvi

Pri namestitvi robotske kosilnice vam je na voljo namestitveni vodnik. Ta program vas vodi skozi celoten postopek prve namestitve:



- Nastavitev jezika, datuma in časa
- Namestitev polnilne postaje
- Polaganje omejitvene žice
- Priključitev omejitvene žice
- Seznanjanje robotske kosilnice in polnilne postaje
- Preverjanje namestitve
- Programiranje robotske kosilnice

- Zaključek prve namestitve

Namestitveni vodnik mora biti v celoti dokončan, preden je robotska kosilnica pripravljena na uporabo.


i Namestitveni vodnik se po ponastavitvi (na tovarniške nastavitve) znova aktivira. (⇒ 11.17)


Pripravljalni ukrepi:

- Travo pred prvo namestitvijo pokosite z običajno kosilnico (optimalna višina največ 6 cm).
- Pri trdi in suhi podlagi površino za košnjo rahlo namočite, da olajšate zabijanje pritrditvenih žebeljev.
- Specializirani trgovec STIHL mora aktivirati robotsko kosilnico in dodeliti e-poštni naslov lastnika. (⇒ 10.)

i Pri upravljanju menijev upoštevajte navodila v poglavju »Navodila za uporabo«. (⇒ 11.1)

S **krmilnikom** izberete možnosti, točke menijev oz. tipke.

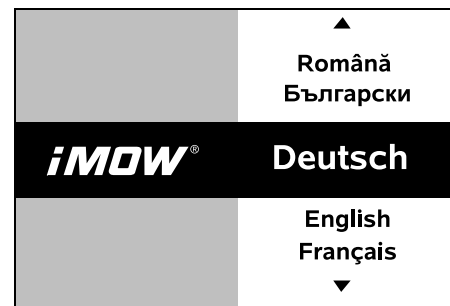
S **tipko OK** odprete podmeni oz. potrdite izbiro. 

S **tipko Nazaj** zapustite aktivni meni oz. skočite korak nazaj v namestitvenem vodniku. 

Če med prvo namestitvijo pride do napake ali motenj, se na zaslonu prikaže ustrezno sporočilo. (⇒ 24.)

9.7 Nastavitev jezika, datuma in časa

- S pritiskom na poljubno tipko na zaslonu aktivirate napravo in s tem namestitveni vodnik.



Izberite želeni jezik zaslona in potrdite s tipko OK.

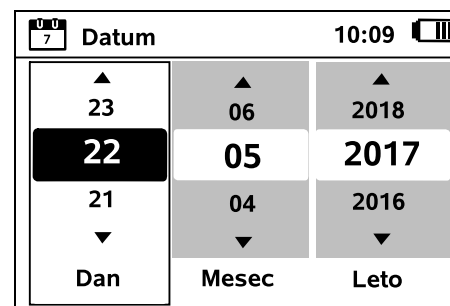
OK



Izbiro jezika potrdite s tipko OK oz. izberite »Spremeni« in ponovite izbiro jezika.

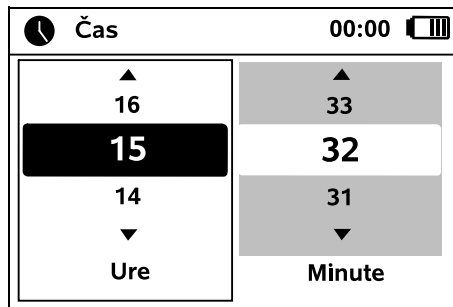
OK

- Po potrebi vnesite 9-mestno serijsko številko robotske kosilnice. Ta številka je odtisnjena na tipski ploščici (glejte opis naprave). (⇒ 3.)



Trenutni datum nastavite s pomočjo krmilnika in potrdite s tipko OK.

OK

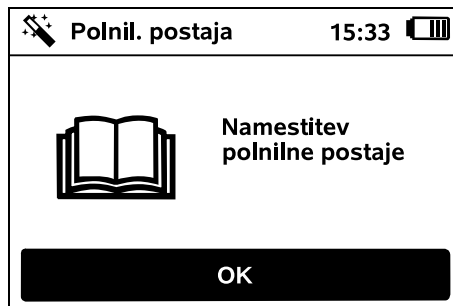


Trenutni čas nastavite s pomočjo krmilnika in potrdite s tipko OK.

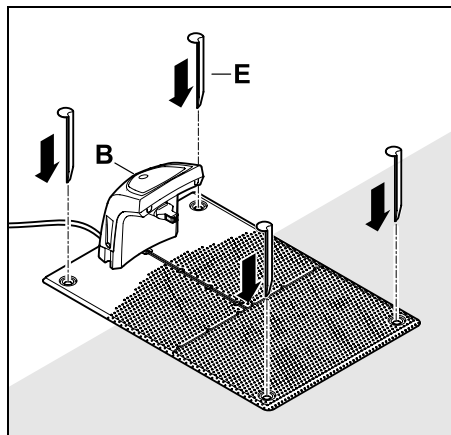
OK

9.8 Namestitev polnilne postaje

i Upoštevajte poglavje »Napotki za polnilno postajo« (⇒ 9.1) in primere nastavitvev (⇒ 27.) v teh navodilih za uporabo.



- Električni kabel priključite na polnilno postajo. (⇒ 9.3)
- Pri namestitvi polnilne postaje na steno električni kabel položite pod talno ploščo. (⇒ 9.1)



i **Napotek:**
Kline zabijte v tla tako, da se talna plošča polnilne postaje ne ukvirja.

Polnilno postajo (B) pritrdite na želeno mesto s štirimi klini (E).

- Napajalnik namestite zunaj površine za košnjo, zaščiten naj bo pred neposrednimi sončnimi žarki, vlago in tekočinami – po potrebi ga pritrdite na steno.

! Brezhibno delovanje napajalnika je zagotovljeno le pri **temperaturi okolice med 0 °C in 40 °C.**

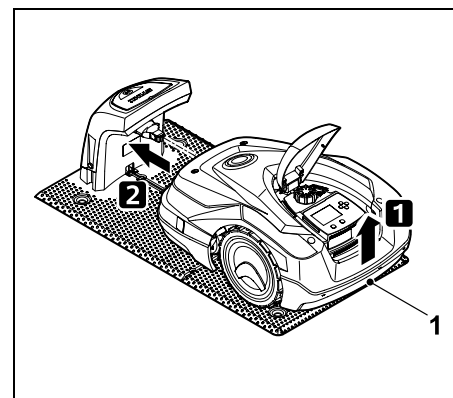
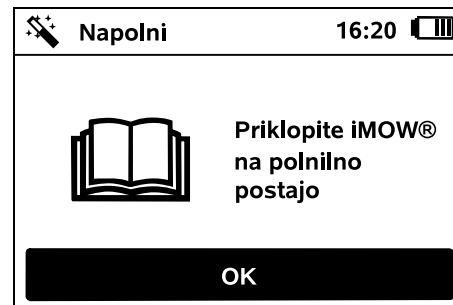
- Vse električne kable položite zunaj površine za košnjo, predvsem tudi zunaj dosega noža, pritrdite na tla ali spravite v kabelski kanal.
- Električni kabel odvijte v bližini polnilne postaje, da se izognete motnjam signala žice.
- Priključite omrežni vtič.

i Ko omejitvena žica ni priključena, na polnilni postaji hitro utripa rdeča lučka LED. (⇒ 13.1)

- Po končanih delih pritisnite tipko OK.

OK

i **Pri zunanji polnilni postaji:**
Po zaključitvi prve namestitve določite najmanj eno začetno točko zunaj pasaže do polnilne postaje. Pogostost začetka določite tako, da se 0 od 10 postopkov košnje (0/10) zažene pri polnilni postaji (začetna točka 0). (⇒ 11.14)



Robotsko kosilnico nekoliko dvignite za nosilni ročaj (1), da razbremenite pogonska kolesa. Napravo, oprto na sprednja kolesa, potisnite v polnilno postajo.

Pritisnite tipko OK na zaslonu.

OK

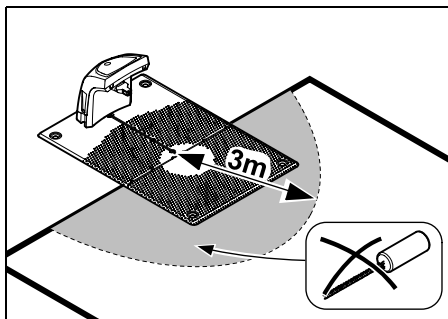
i Če je baterija izpraznjena, se po priklopu v desnem zgornjem kotu zaslona namesto simbola baterije prikaže simbol omrežnega vtičača in baterija se polni med polaganjem omejitvene žice. (⇒ 15.7)

9.9 Polaganje omejitvene žice

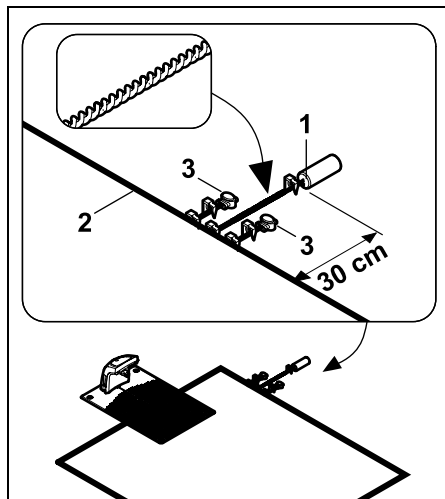
i Pred polaganjem žice preberite in upoštevajte celotno poglavje »Omejitvena žica«. (⇒ 12.)

Že med polaganjem **načrtujte** položitev in mislite na **razdalje žice, zaporne površine, rezerve žice, povezovalne proge, stranske površine in pasaže.**

Pri manjših površinah za košnjo z dolžino žice, manjšo od 80 m, je treba skupaj z omejitveno žico namestiti dodatno opremo **AKM 100**. V primeru prekratke dolžine žice na polnilni postaji utripa SOS in ni signala žice.



Opremo AKM 100 namestite najmanj 3 m stran od polnilne postaje.



Opremo AKM 100 (1) s 30 cm razdalje zunaj površine za košnjo pritrдите s pritrditvenim žebbljem. konce žice prepletite do površine za košnjo in jih pritrдите s pritrditvenim žebbljem.

Omejitveno žico (2) prerežite in konca s spojnikoma kabla (3) povežite s koncema omejitvene žice opreme AKM 100 (⇒ 12.16). Povezovalna konca levo in desno pritrдите s pritrditvenimi žebblji, kot je prikazano na sliki.

i Uporabljajte samo originalne pritrditvene žeblje in originalno omejitveno žico. Namestitveni paketi s potrebnim namestitvenim materialom so na voljo pri specializiranem trgovcu STIHL. (⇒ 18.)

Položitev žice vrišite v skico vrta. Vsebina skice:

- **Obris površine za košnjo** s pomembnimi ovirami, mejami in morebitnimi zapornimi površinami, kjer robotska kosilnica ne sme obratovati. (⇒ 27.)
- Položaj **polnilne postaje** (⇒ 9.1)
- Lega **omejitvene žice**
Omejitvena žica se v kratkem času vraste v tla in je ni več mogoče videti. Zabeležite predvsem postavitev žice okoli ovir.
- Lega **spojnika kabla**
Uporabljenih spojnikov kabla čez čas ni več mogoče videti. Zapišite položaj spojnikov, da jih lahko po potrebi zamenjate. (⇒ 12.16)

Omejitvena žica mora biti položena v neprekinjeni zanki okrog celotne površine za košnjo.

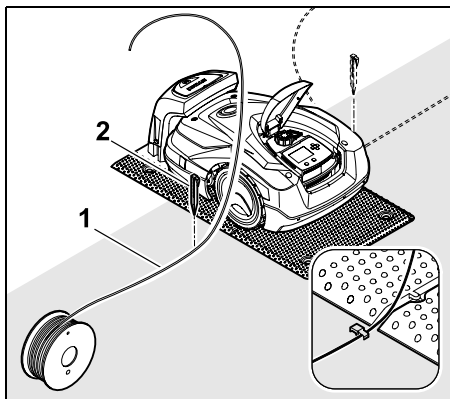
Največja dolžina: **500 m**

i Robotska kosilnica ne sme biti na nobeni točki oddaljena več kot 17 m od omejitvene žice, sicer ni mogoče več zaznati signala žice.

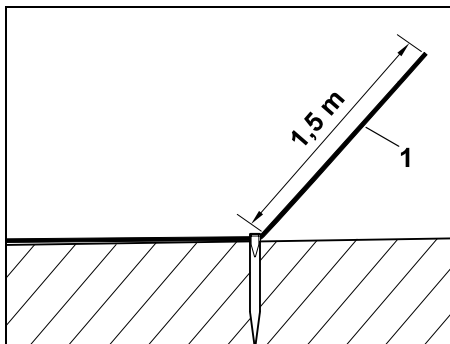


Omejitveno žico položite tako, da izhaja iz polnilne postaje. Pri tem morate razločevati med **notranjo polnilno postajo** in **zunanjo polnilno postajo**.

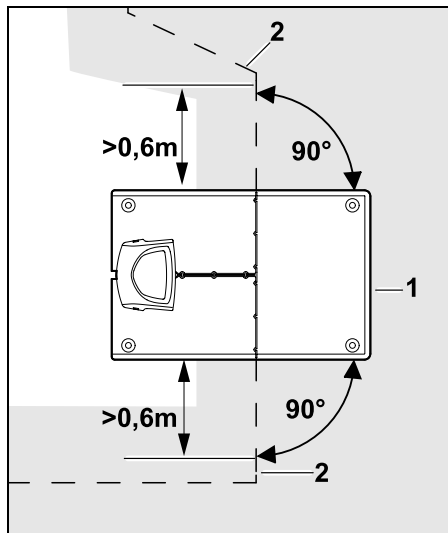
Začetek pri notranji polnilni postaji:



Omejitveno žico (1) pritrdite v tla s pritrditvenim žabljem (2), ki ga zabijte **levo** ali **desno** poleg talne plošče, neposredno ob izteku žice.



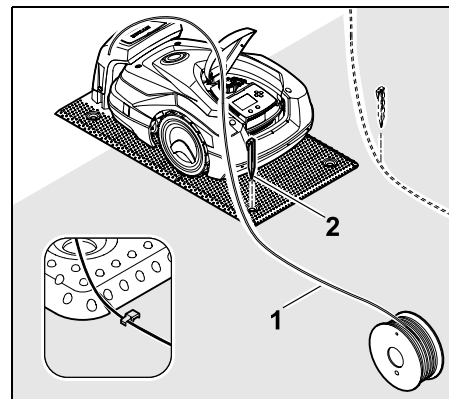
Predvidite prost konec žice (1) dolžine pribl. **1,5 m**.



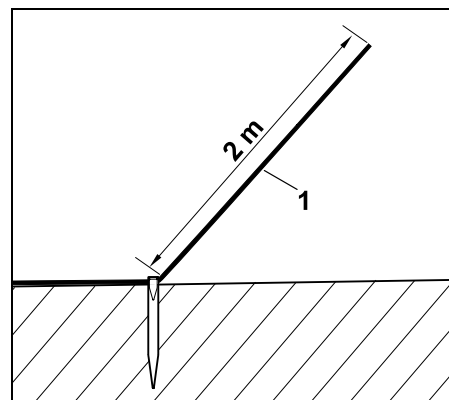
Pred polnilno postajo (1) in za njo položite omejitveno žico (2) **0,6 m** naravnost in pravokotno na talno ploščo. Nato z omejitveno žico sledite robu površine za košnjo.

i Če uporabljate zamaknjen povratek (prehod), mora biti omejitvena žica pred in za polnilno postajo položena najmanj **1,5 m** naravnost in pravokotno na talno ploščo. (⇒ 11.13)

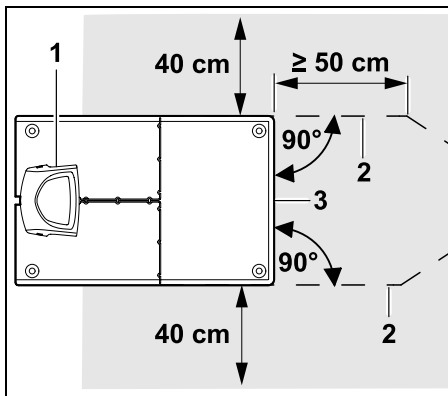
Začetek pri zunanji polnilni postaji:



Omejitveno žico (1) pritrdite v tla s pritrditvenim žabljem (2), ki ga zabijte **levo** ali **desno** za talno ploščo, neposredno ob izteku žice.



Predvidite prost konec žice (1) dolžine pribl. **2 m**.

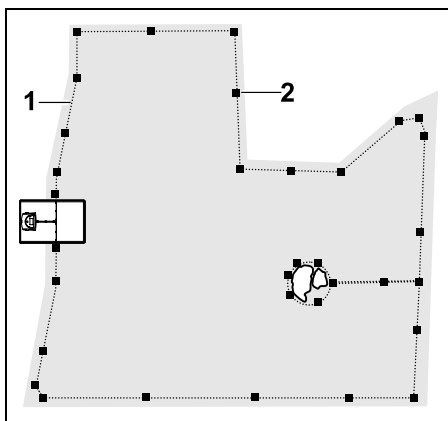


Pred polnilno postajo (1) in za njo položite omejitveno žico (2) v razdalji 50 cm pravokotno na talno ploščo. Nato lahko namestite pasažo (⇒ 12.11) ali položite omejitveno žico ob robu površine za košnjo.

Stransko ob talni plošči (3) mora biti prosta prevozna pot s površino najmanjše širine 40 cm.

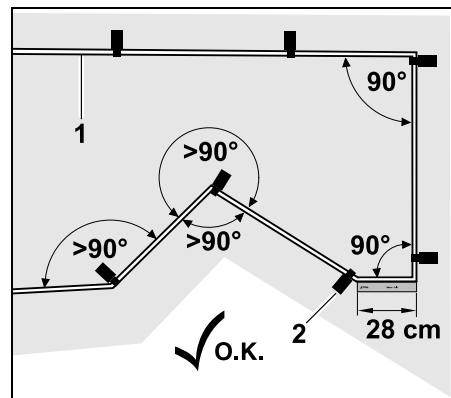
i Več informacij o namestitvi zunanje polnilne postaje najdete v poglavju »Primeri namestitve«. (⇒ 27.)

Položitev žice na površini za košnjo:



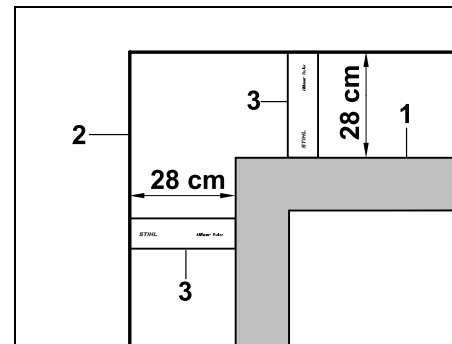
Omejitveno žico (1) položite okrog površine za košnjo in okrog morebitnih ovir (⇒ 12.9) in jo pritrдите na tla s pritrditvenimi žebli (2). Razdalje preverite z merilom iMOW® Ruler. (⇒ 12.5)

i Robotska kosilnica ne sme biti na nobeni točki oddaljena več kot 17 m od omejitvene žice, sicer ni mogoče več zaznati signala žice.



Izogibajte se polaganju v ostre kote (manjše od 90°). V ostrih kotih trate pritrđite omejitveno žico (1) na tla s pritrditvenimi žebli (2), kot je prikazano. (⇒ 12.6)

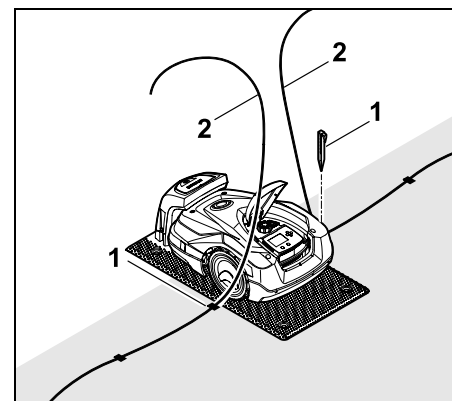
Po kotu 90° mora biti žica položena naravnost vsaj za dolžino merila iMOW® Ruler, preden namestite naslednji kot.



Pri polaganju okrog visokih ovir, kot so betonski vogali ali visoke grede (1), morate v kotih upoštevati razdaljo od žice, da jih robotska kosilnica ne oplazi. Omejitveno žico (2) položite z merilom iMOW® Ruler (3), kot je prikazano.

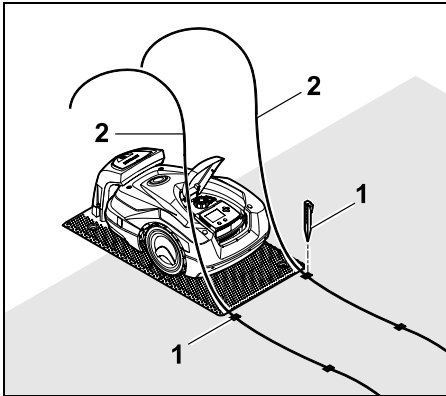
- Omejitveno žico po potrebi podaljšajte z dobavljenimi spojniki kabla. (⇒ 12.16)
- Pri več povezanih površinah za košnjo namestite stranske površine (⇒ 12.10) oz. površine za košnjo povežite s pasažami. (⇒ 12.8)

Zadnji pritrditveni žebelj pri notranji polnilni postaji:



Zadnji pritrditveni žebelj (1) zabijte levo oz. desno poleg talne plošče neposredno ob izteku žice. Odrežite omejitveno žico (2) v prosti dolžini pribl. 1,5 m.

Zadnji pritrditveni žebelj pri zunanji polnilni postaji:



Zadnji pritrditveni žebelj (1) zabijte levo oz. desno za talno ploščo neposredno ob izteku žice. Odrežite omejitveno žico (2) v prosti dolžini pribl. 2 m.

Zaključite polaganje žice:

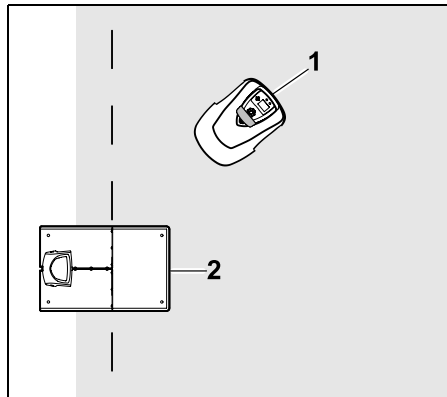
- Preverite pritrditvev omejitvene žice na tleh. Velja pravilo: en pritrditveni žebelj na vsak meter žice. Omejitvena žica mora vedno ležati na travnati površini. Pritrditvene žebelje zabijte do konca.
- Po končanem delu pritisnite tipko OK. OK



Če akumulatorska baterija ni dovolj napolnjena za dokončanje preostalih korakov namestitvenega vodnika, je prikazano ustrezno sporočilo. V tem primeru robotsko kosilnico pustite v polnilni postaji in še naprej polnite akumulatorsko baterijo.

Premik na naslednji korak namestitvenega vodnika s tipko OK je mogoč šele, ko je dosežena potrebna napetost akumulatorske baterije.

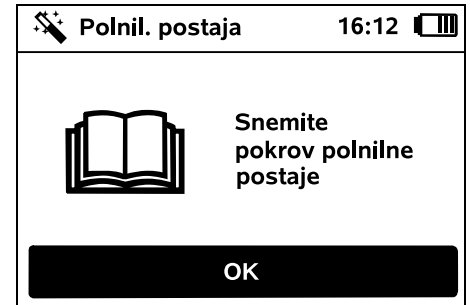
9.10 Priključitev omejitvene žice



Robotsko kosilnico (1) zaustavite za polnilno postajo (2) znotraj površine za košnjo, kot je prikazano na sliki, nato pritisnite tipko OK. OK

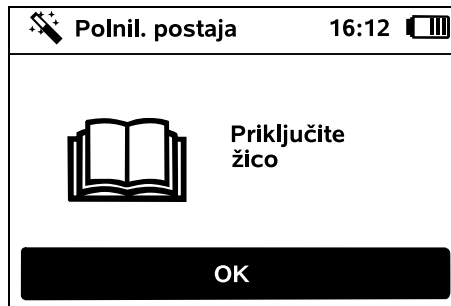


Vtič napajalnika ločite od el. omrežja, nato pritisnite tipko OK. OK

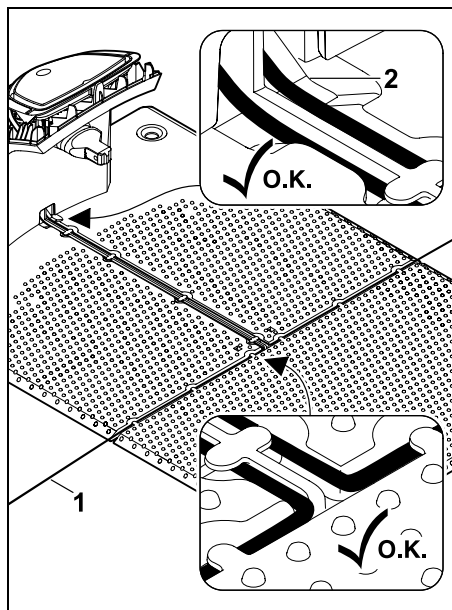


Odstranite pokrov. (⇒ 9.2)

Pritisnite tipko OK.

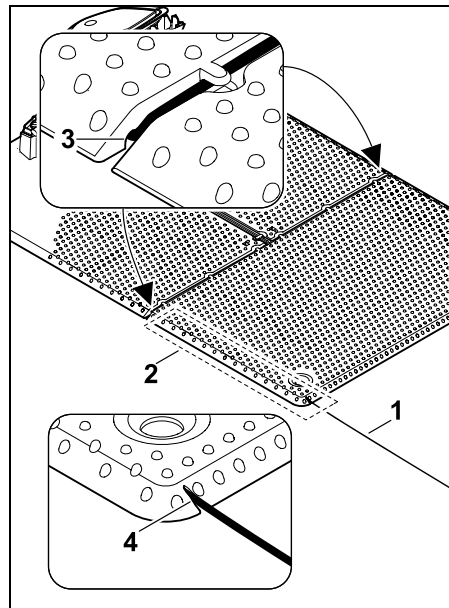


Omejitvena žica pri notranji polnilni postaji:

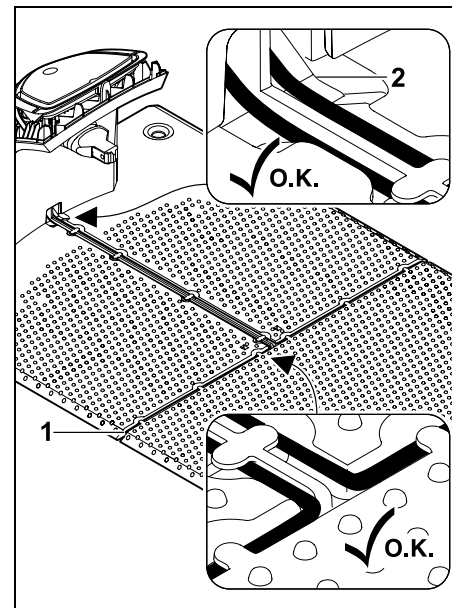


Položite omejitveno žico (1) v kabelska vodila talne plošče in jo vstavite skozi podnožje (2).

Omejitvena žica pri zunanji polnilni postaji:



Omejitveno žico (1) položite na območju (2) pod talno ploščo. Pri tem žico vstavite v izteka žice (3, 4) – kline po potrebi zrahljajte.



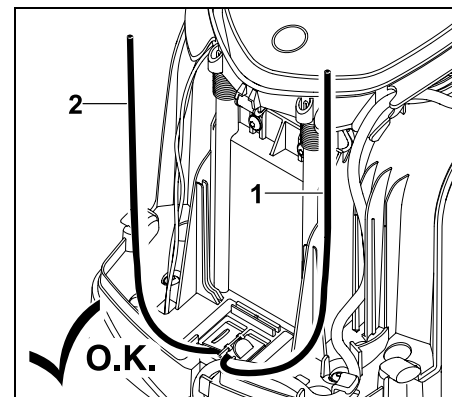
Položite omejitveno žico (1) v kabelska vodila talne plošče in jo vstavite skozi podnožje (2).

Priključite omejitveno žico:

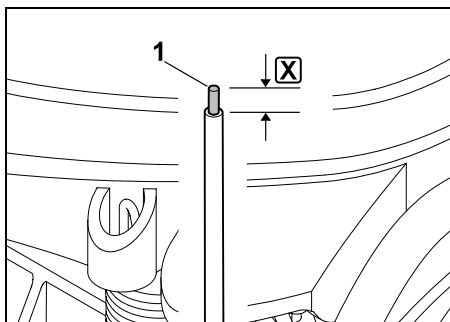


Napotek:

Pazite, da so kontakti čisti (na njih ni korozije, umazanije ...).

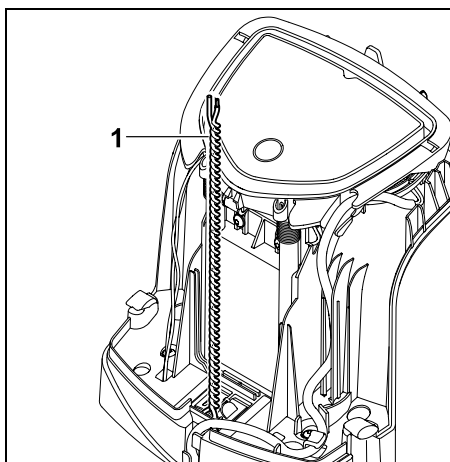


Levi konec žice (1) in desni konec žice (2) skrajšajte na isto dolžino. Dolžina od izteka žice do konca žice: **40 cm**



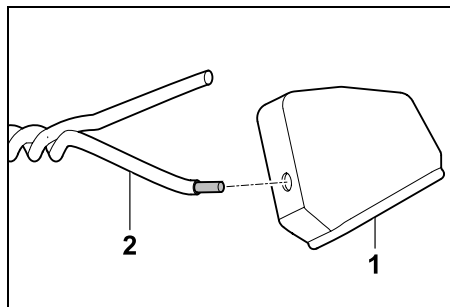
Levi konec žice (1) z ustreznim orodjem izolirajte na navedeno dolžino **X** in prepletite pletenico žice.

X = 10-12 mm

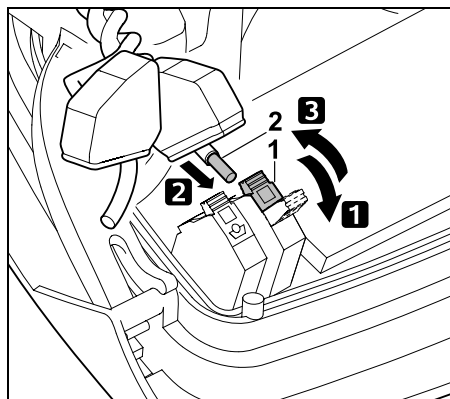


Proste konce žice (1) medsebojno prepletite, kot je prikazano.

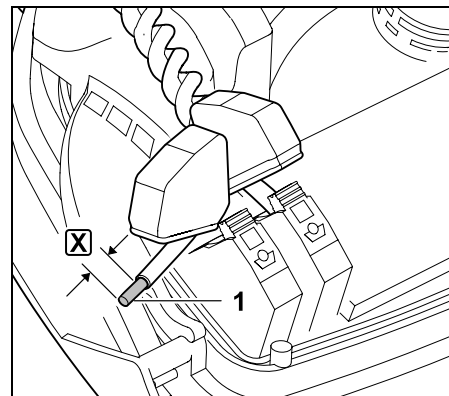
- Odprite ploščo in jo držite odprto. (⇒ 9.2)



Na vsak konec žice (2) napeljite po en nastavek (1).

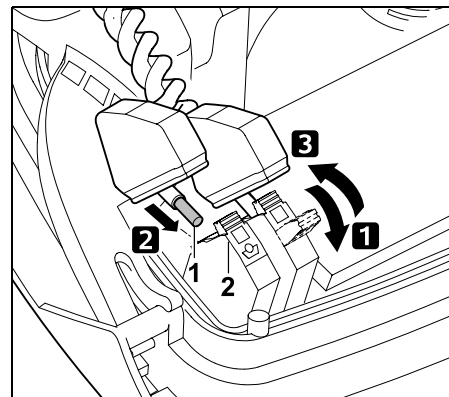


- 1 Odprite levo vpenjalno ročico (1).
- 2 Izolirani konec žice (2) vstavite do konca v povezovalni blok.
- 3 Zaprite vpenjalno ročico (1).

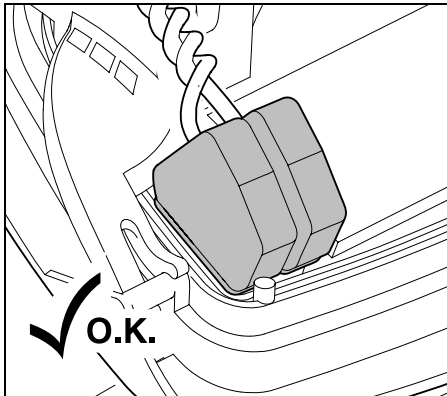


Desni konec žice (1) z ustreznim orodjem izolirajte na navedeno dolžino **X** in prepletite pletenico žice.

X = 10-12 mm



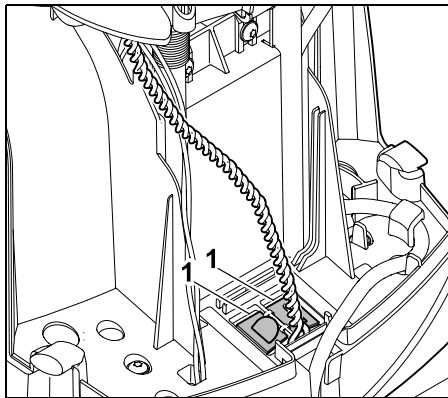
- 1 Odprite desno vpenjalno ročico (1).
- 2 Izolirani konec žice (2) vstavite do konca v povezovalni blok.
- 3 Zaprite vpenjalno ročico (1).



Nastavka namestite prek povezovalnih blokov.

Preverite lego koncev žice v povezovalnem bloku: oba konca žice morata biti dobro pritrjena.

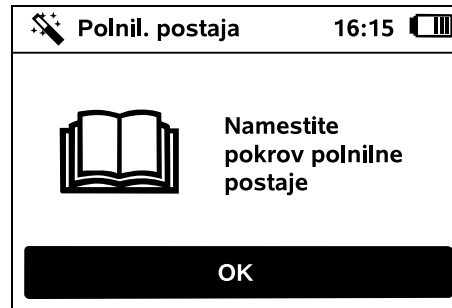
- Ploščo zaprite. (⇒ 9.2)



Zaprite pokrove kablskega kanala (1).

- Po končanih delih pritisnite tipko OK.

OK



Namestite pokrov. (⇒ 9.2)

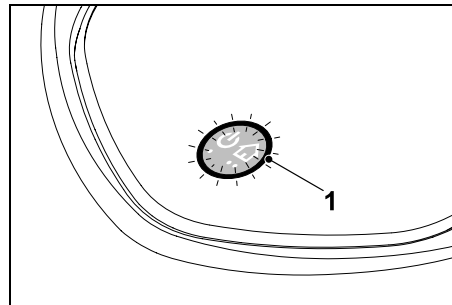
Pritisnite tipko OK.

OK



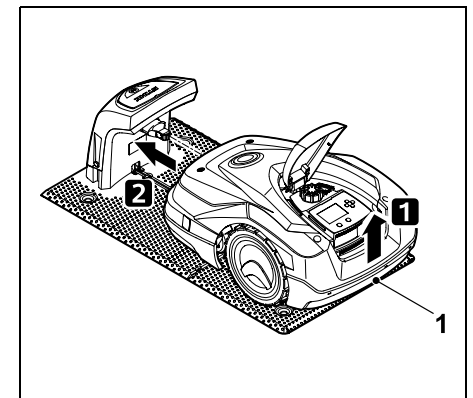
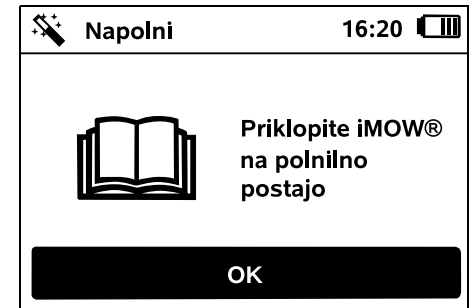
Vtič napajalnika priključite na el. omrežje, nato pritisnite tipko OK.

OK



Če je bila omejitvena žica pravilno nameščena in je polnilna postaja priključena na el. omrežje, sveti lučka LED (1).


- Upoštevajte poglavje »Upravljalni elementi polnilne postaje«, zlasti če lučke LED ne svetijo, kot je opisano. (⇒ 9.2)




Robotsko kosilnico nekoliko dvignite za nosilni ročaj (1), da razbremenite pogonska kolesa. Napravo, oprto na sprednja kolesa, potisnite v polnilno postajo.

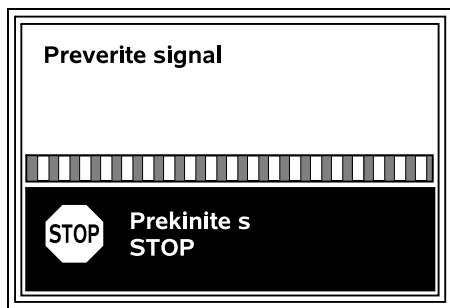
Pritisnite tipko OK na zaslonu.

OK

 Če je baterija izpraznjena, se po priklopu v desnem zgornjem kotu zaslona namesto simbola baterije prikaže simbol omrežnega vtičnika in baterija se polni med polaganjem omejitvene žice. (⇒ 15.7)

9.11 Seznanjanje robotske kosilnice in polnilne postaje

 Robotsko kosilnico lahko zaženete šele, ko je ta ustrezno sprejela signal žice, poslan iz polnilne postaje. (⇒ 11.16)



Preverjanje signala žice lahko traja več minut. Z rdečo tipko STOP na zgornji strani naprave prekinete seznanjanje, prikazan je prejšnji korak namestitvenega vodnika.


Normalen sprejem



Signal žice v redu:

Na zaslonu je prikazano besedilo »Signal žice v redu«. Polnilna postaja je pravilno seznanjena z robotsko kosilnico.

Prvo namestitev nadaljujte s pritiskom tipke OK.

 Po ustreznem seznanjanju se aktivira energijski način »Standardno«. (⇒ 11.10)

Moten sprejem

Robotska kosilnica ne sprejema signala žice:

Na zaslonu je prikazano besedilo »Ni signala žice«.

Robotska kosilnica sprejema moten signal žice:

Na zaslonu je prikazano besedilo »Preverite signal žice«.

Robotska kosilnica sprejema napačno priklopljen signal žice:

Na zaslonu je prikazano besedilo »Priključka zamenjana ali iMOW® zunaj«.

Možni vzroki:

– Začasna motnja

- Robotska kosilnica ni priključena
- Omejitvena žica je napačno priklopljena (obrnjene strani)
- Polnilna postaja je izklopljena oz. ni priključena na el. omrežje
- Slabe vtične povezave
- Najmanjša dolžina omejitvene žice prekoračena
- Navit omrežni kabel blizu polnilne postaje
- Predolgi ali nezadostno medsebojno prepleteni konci omejitvene žice
- Prekinitev omejitvene žice
- Tuji signali, npr. mobilnega telefona, ali signal druge polnilne postaje
- Podzemni kabli pod napetostjo, armiran beton ali moteče kovine v tleh pod polnilno postajo
- Največja dolžina omejitvene žice prekoračena (⇒ 12.1)

Rešitev:

- Ponovite seznanjanje brez drugih ukrepov
- Robotsko kosilnico priklopite na polnilno postajo (⇒ 15.6)
- Pravilno priključite konce omejitvene žice (⇒ 9.10)
- Preverite omrežni priključek polnilne postaje, odvijte omrežni kabel blizu polnilne postaje in ga nenavitega odložite
- Preverite trdno lego koncev žice v povezovalnem bloku, predolge konce žic skrajšajte oziroma jih medsebojno prepletite (⇒ 9.10)

- Pri manjših površinah za košnjo z dolžino žice, manjšo od 80 m, je treba skupaj z omejitveno žico namestiti dodatno opremo AKM 100 (⇒ 9.9)
- Preverite LED-prikaz polnilne postaje (⇒ 13.1)
- Popravite prekinitve žice
- Izklopite mobilne telefone oz. sosednje polnilne postaje
- Spremenite položaj polnilne postaje oz. odstranite vire motenj pod polnilno postajo
- Uporabite omejitveno žico z večjim prerezom (dodatna oprema)

Po izvedbi ustreznega ukrepa ponovite seznanjanje s pritiskom tipke OK.

OK

i Če signala žice ni mogoče ustrezno sprejeti in opisani ukrepi ne rešijo težave, se obrnite na specializiranega trgovca.

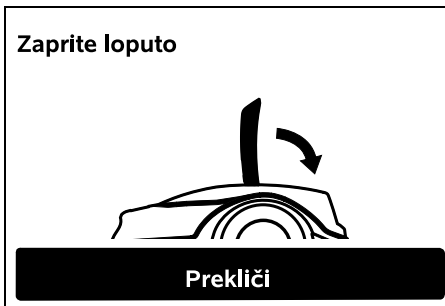
9.12 Preverjanje namestitve



Zaženite vožnjo po robu s tipko OK – nož za košnjo se pri tem ne aktivira.

OK

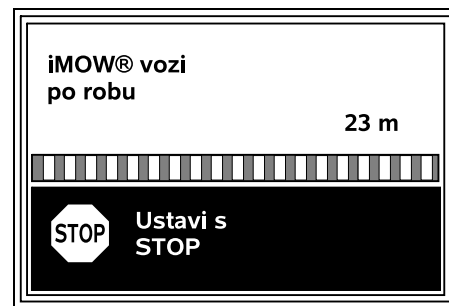
i Po prvi namestitvi robotska kosilnica med delovanjem izmenično prevozi rob površine za košnjo v obeh smereh. Zato je treba pri začetni namestitvi preveriti prevoz roba v obeh smereh.



Zaprte loputo robotske kosilnice. (⇒ 15.2)
Šele pri zaprti loputi se robotska kosilnica samodejno zažene in prevozi rob vzdolž omejitvene žice.

i Z vožnjo po robu se določi **domače območje** robotske kosilnice. (⇒ 14.5)

Če robotska kosilnica pred začetkom vožnje po robu ne sprejema signala GPS, se na zaslonu prikaže besedilo »Čakam na GPS«. Če robotska kosilnica ne sprejema signala GPS, se po nekaj minutah vseeno začne vožnja po robu. Pozneje morate nato izvesti funkcijo »Preizkušanje roba« (⇒ 11.13), da boste lahko uporabljali GPS-zaščito, ker v nasprotnem primeru ni določeno nobeno domače območje.



Med vožnjo po robu sledite robotski kosilnici in pazite,

- da robotska kosilnica rob površine za košnjo prevozi kot načrtovano,
- da so razdalje do ovir in do mej površine za košnjo ustrezne,
- da funkciji odklopa in priklopa pravilno delujeta.

Na zaslonu je prikazana prevožena razdalja – ta podatek v metrih je potreben za nastavitvev **začetnih točk** na robu površine za košnjo. (⇒ 11.14)


- Razberite in zabeležite prikazano vrednost na zelenem mestu. Ročno nastavite začetno točko po prvi namestitvi.

Vožnja po robu se zaradi ovir ali pobočij s prevelikim naklonom prekine samodejno ali ročno s pritiskom tipke STOP.

- Če je bila vožnja po robu samodejno prekinjena, popravite položaj omejitvene žice ali odstranite ovire.
- Pred nadaljevanjem vožnje po robu preverite položaj robotske kosilnice. Naprava mora biti na omejitveni žici ali znotraj površine za košnjo s sprednjo stranjo usmerjeno proti omejitveni žici.

Nadaljevanje po prekinitvi:

Po preinitvi vožnjo po robu nadaljujte z OK.

 Podjetje STIHL priporoča, da vožnje po robu ne prekinete. Tako namreč možnih težav pri vožnji po robu površine za košnjo ali pri priklopu na polnilno postajo ne bo mogoče prepoznati.

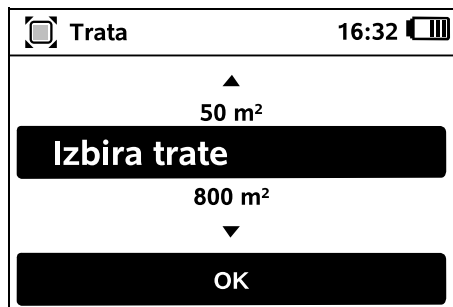
Po potrebi lahko vožnjo po robu po prvi namestitvi znova izvedete. (⇒ 11.13)


Po celotni vožnji okoli površine za košnjo se robotska kosilnica priklopi na polnilno postajo. Nato se prikaže vprašanje, ali želite začeti drugo vožnjo v nasprotni smeri.


Samodejni zaključek vožnje po robu:

S priklopom na polnilno postajo po drugem zaključenem krogu oz. zavrnitvi vožnje po robu v nasprotni smeri je priklican naslednji korak namestitvenega vodnika.

9.13 Programiranje robotske kosilnice

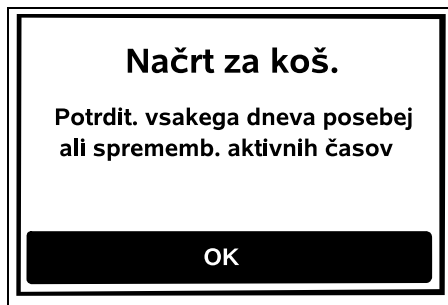



Vnesite velikost travnate površine in potrdite z OK. 

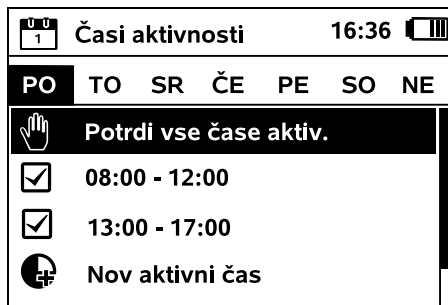
 Nameščenih zapornih oz. stranskih površin ne prišteвайте v velikost površine za košnjo.





Nov načrt za košnjo se izračunava. Z rdečo tipko STOP na zgornji strani naprave lahko preključete postopek.





Napotek »Potrdit. vsakega dneva posebej ali sprememb. aktivnih časov« potrdite s tipko OK. 





Prikazani so časi aktivnosti za ponedeljek in aktivirana je točka menija **Potrdi vse čase aktiv.** 

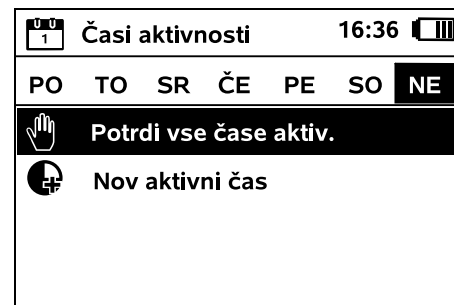
Z OK se potrdijo vsi časi aktivnosti, prikazan je naslednji dan. 


 Pri manjših površinah za košnjo se ne izkoristijo vsi dnevi v tednu. V tem primeru se časi aktivnosti ne prikažejo in točka menija »Briši vse čase aktiv.« odpade. Dneve brez časov aktivnosti prav tako potrdite z OK.

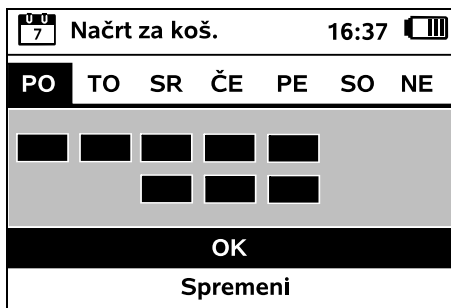
Prikazane **čase aktivnosti** lahko spremenite. S krmilnikom izberite želeni časovni interval in odprite z OK. (⇒ 14.3) 

Za dodajanje časov aktivnosti izberite točko menija **Nov čas aktivnosti** in odprite z OK. V izbirnem oknu določite čas začetka in zaključka novega časa aktivnosti in potrdite z OK. Nastavite lahko do tri čase aktivnosti na dan. 

Če želite prikazane čase aktivnosti izbrisati, izberite točko menija **Briši vse čase aktiv.** in potrdite z OK. 



Po potrditvi časov aktivnosti za nedeljo se prikaže načrt za košnjo. 



Z OK potrdite prikazan načrt za košnjo in priključite zadnji korak namestitvenega vodnika.



Če so potrebne spremembe, izberite **Spremeni** in prilagodite posamezne čase aktivnosti.



Med časi aktivnosti naj se druge osebe ne zadržujejo v območju nevarnosti. Čase aktivnosti je treba ustrezno prilagoditi.

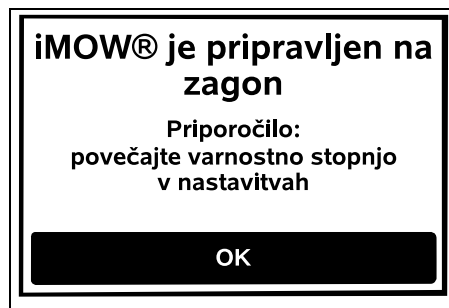
Poleg tega upoštevajte lokalna določila za uporabo robotske kosilnice ter napotke v poglavju »Za vašo varnost« (⇒ 6.) in v meniju »Načrt za koš.« takoj ali po zaključku prve namestitve po potrebi spremenite čase aktivnosti. (⇒ 11.7)

Pri pristojnih oblasteh se pozanimajte predvsem, kdaj lahko uporabljate napravo podnevi in ponoči.

9.14 Zaključek prve namestitve



Odstranite vse tujke (npr. igrače, orodja) s površine za košnjo.



Prvo namestitev zaključite s tipko OK.



Po prvi namestitvi je aktivirana varnostna stopnja »Brez«.

Priporočilo:

Varnostno stopnjo nastavite na »Nizka«, »Srednja« ali »Visoka«. Tako zagotovite, da nepooblaščen osebe ne morejo spreminjati nastavitve robotske kosilnice in je uporabljati z drugimi polnilnimi postajami. (⇒ 11.16)
Dodatno aktivirajte GPS-zaščito. (⇒ 5.9)



Za uporabo vseh funkcij robotske kosilnice morate v pametnem telefonu ali tabličnem računalniku z internetno povezavo in sprejemnikom GPS namestiti in zagnati **aplikacijo iMOW®**. (⇒ 10.)

Pogovorno okno zaprite s tipko OK.



9.15 Prva košnja po prvi namestitvi

Če zaključek prve namestitve sovпада s časom aktivnosti, začne robotska kosilnica nemudoma obdelovati površino za košnjo.



Če je prva namestitev zaključena zunaj časa aktivnosti, lahko postopek košnje začnete s pritiskom tipke OK. Če ne želite, da robotska kosilnica kosi, izberite »Ne«.



10. Aplikacija iMOW®

Robotsko kosilnico lahko upravljate z aplikacijo **iMOW®**.

Aplikacija je na voljo v trgovinah z aplikacijami najpogosteje uporabljenih operacijskih sistemov.



Podrobnejše informacije lahko najdete na domači spletni strani web.imow.stihl.com/systems/.



Predpisi v poglavju »Za vašo varnost« veljajo predvsem za vse uporabnike **aplikacije iMOW®**. (⇒ 6.)

Aktivacija:

Za izmenjavo podatkov med robotsko kosilnico in aplikacijo mora napravo aktivirati specializirani trgovec skupaj z e-poštnim naslovom lastnika. Na ta e-poštni naslov bo poslana povezava za aktivacijo. Aplikacija **iMOW®** mora biti nameščena v pametnem telefonu ali tabličnem računalniku z internetno povezavo in sprejemnikom GPS. Prejemnik e-pošte je določen kot skrbnik in glavni uporabnik aplikacije s polnim dostopom do vseh funkcij.

i E-poštni naslov in geslo varno shranite, da ju boste lahko po zamenjavi pametnega telefona ali tabličnega računalnika uporabili za ponovno namestitev **aplikacije iMOW®** (npr. v primeru izgube mobilne naprave).

Podatkovni promet:

Nakupna cena vključuje prenos podatkov iz robotske kosilnice v internet (storitev M2M).

Prenos podatkov ni vedno aktiven, zato lahko traja nekaj minut.

Zaradi prenosa podatkov iz aplikacije v internet nastanejo stroški, ki so odvisni od vaše pogodbe z mobilnim ponudnikom oz. ponudnikom internetnih storitev in jih morate kriti sami.

i Brez mobilne povezave in aplikacije je GPS-zaščita na voljo samo brez e-pošte in SMS-obeščanja ter brez potisnih novic.

Glavne funkcije aplikacije:

- Ogled in obdelava načrta za košnjo
- Začetek košnje
- Vkllop in izklop avtomatskega načina
- Pošiljanje robotske kosilnice v polnilno postajo

- Sprememba datuma in časa

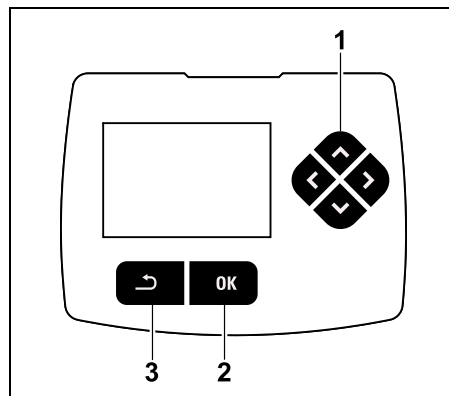


Zaradi spremembe načrta za košnjo, začetka postopka za košnjo, vklopa in izklopa avtomatskega načina, povratka robotske kosilnice ter spremembe datuma in časa se lahko izvedejo aktivnosti, ki jih druge osebe ne pričakujejo. Zato te osebe vedno predhodno obvestite o mogočih aktivnostih robotske kosilnice.

- Priklic informacij o napravah in lokacije robotske kosilnice

11. Meni

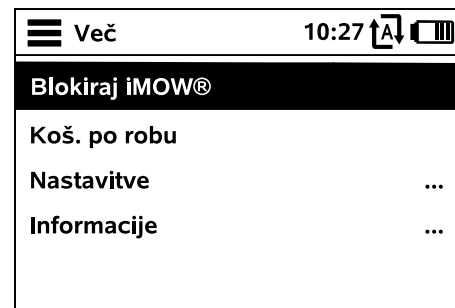
11.1 Navodila za upravljanje



Krmilnik (1) sestavljajo štiri smerne tipke. Krmilnik omogoča pomikanje po menijih, s tipko OK (2) potrdite nastavitve in odprete menije. S tipko Nazaj (3) lahko zapustite menije.



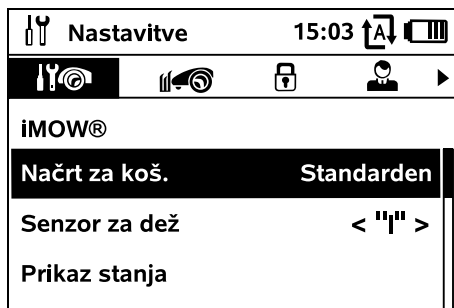
Glavni meni sestavljajo 4 podmeniji, ki so prikazani kot tipke. Izbran podmeni je označen črno, odprete ga s tipko OK.



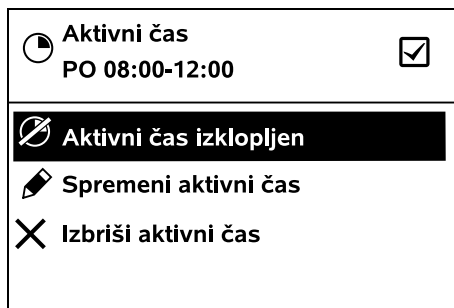
Druga menijska raven je prikazana v obliki seznama. Podmenije izberete s pritiskom krmilnika gor ali dol. Aktivni menijski vnosi so označeni črno.

Drsnik na desnem robu zaslona prikazuje možnost pomikanja dol oz. gor s pritiskom krmilnika za prikaz nadaljnjih vnosov.

Podmenije odprete s pritiskom tipke OK.

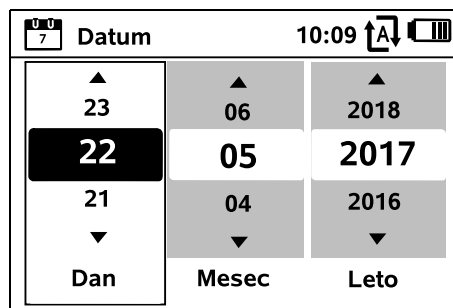


Podmenija »Nastavitve« in »Informacije« sta predstavljena kot zavihka. S pritiskom krmilnika v levo oz. desno izberete zavihke, s pritiskom krmilnika navzdol oz. navzgor pa podmenije. Aktivni zavihki oz. menijski vnosi so označeni črno.



V podmenijih so prikazane možnosti. Aktivni vnosi seznama so označeni črno. S pritiskom tipke OK se odpre izbirno ali pogovorno okno.

Izbirno okno:



Nastavitvene vrednosti lahko spreminjate s pritiskom krmilnika. Trenutna vrednost je poudarjena črno. S tipko OK potrdite vse vrednosti.

Pogovorno okno:

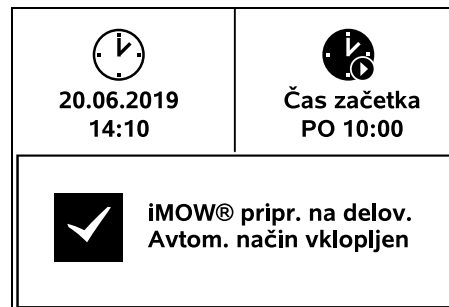


Če morajo biti spremembe shranjene ali sporočila potrjena, se na zaslonu prikaže pogovorno okno. Aktivna tipka je označena črno.

Pri možnosti izbire lahko s pritiskom krmilnika v levo oz. desno aktivirate posamezno tipko.

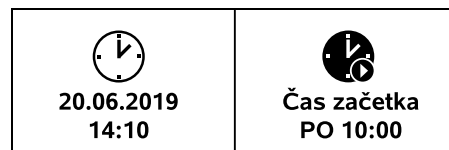
S tipko OK potrdite izbrano možnost in priključete nadrejeni meni.

11.2 Prikaz stanja



Prikaz stanja se pojavi,

- ko se stanje pripravljenosti robotske kosilnice zaključi s pritiskom tipke,
- ko v glavnem meniju pritisnete tipko »Nazaj«,
- med aktivnim delovanjem.



V zgornjem delu prikaza najdete dve polji, ki ju je mogoče konfigurirati. Tu so lahko prikazane različne informacije o robotski kosilnici oz. o postopkih košnje. (⇒ 11.12)

Informacije o stanju brez tekoče aktivnosti:



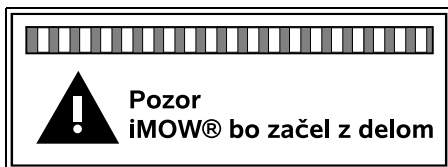
V spodnjem delu zaslona je prikazano ime robotske kosilnice (⇒ 10.), besedilo »iMOW® priprav. na delov.« skupaj s prikazanim simbolom, stanjem avtomatske košnje (⇒ 15.4) in informacijami o GPS-zaščiti (⇒ 5.9).



Informacije o stanju med tekočimi aktivnostmi:



Med aktivno **košnjo** sta na zaslonu prikazana besedilo »iMOW® kosi travo« in ustrezen simbol. Simbol in besedilne informacije se prilagodijo trenutno aktivnemu postopku.



Pred košnjo se prikažeta besedilo »Pozor – iMOW® bo začel z delom« in opozorilni simbol.



Utripajoča osvetlitev zaslona in zvočni signal dodatno opozarjata na nameravani zagon motorja za košnjo. Nož za košnjo se vklopi šele po nekaj sekundah, ko se je robotska kosilnica začela pomikati naprej.

Koš. po robu:

Medtem, ko robotska kosilnica obdeluje rob površine za košnjo, je prikazano besedilo »Poteka košnja roba«.



Vožnja do polnilne postaje:

Ko se robotska kosilnica pelje nazaj do polnilne postaje, je na zaslonu prikazan vzrok (npr. baterija izpraznjena, košnja končana).



Polnjenje baterije:

Pri polnjenju baterije se prikaže besedilo »Baterija se polni«.



Pomik na začetno točko:

Kadar se mora robotska kosilnica pri začetku postopka košnje pomakniti na začetno točko, se prikaže besedilo »Izveden bo pomik na začetno točko«.

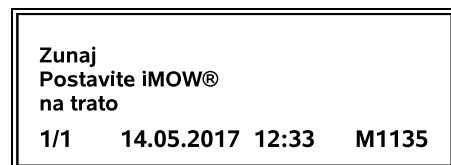


Pomik na zeleno območje:

Kadar se mora robotska kosilnica pri začetku postopka košnje pomakniti na zeleno območje, se prikaže besedilo »Izveden bo pomik na zeleno območje«.



Prikaz sporočila:

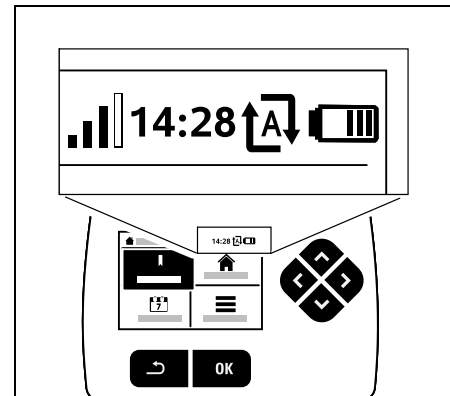


Napake, motnje ali priporočila so prikazana skupaj z opozorilnim simbolom, datumom, časom in kodo sporočila. Če je aktivnih več sporočil, so prikazana izmenično. (⇒ 24.)



Če je robotska kosilnica pripravljena na delovanje, so sporočila in informacije o stanju prikazane izmenično.

11.3 Območje z informacijami



V desnem zgornjem kotu zaslona so prikazane naslednje informacije:

1. Napolnjenost baterije oz. postopek polnjenja
2. Stanje avtomatskega načina
3. Čas
4. Signal mobilne povezave

1. Napolnjenost:

Simbol baterije prikazuje stanje napolnjenosti.



Brez stolpca – baterija izpraznjena
Od 1 do 5 stolpcev – baterija delno izpraznjena

6 stolpcev – baterija napolnjena

Med postopkom polnjenja je namesto simbola baterije prikazan **simbol omrežnega vtikača**.



2. Stanje avtomatskega načina:

Pri vklopljenem avtomatskem načinu je prikazan **simbol avtomatskega načina**.



3. Čas:

Trenutni čas je prikazan v 24-urnem formatu.

4. Signal mobilne povezave:

Moč signala mobilne povezave je prikazana s 4 stolpci. Več polnih stolpcev pomeni boljši sprejem.

Simbol sprejema z majhnim znakom x pomeni, da povezava z internetom ni na voljo.

Med inicializacijo radijskega modula (preverjanje strojne in programske opreme – npr. po vklopu robotske kosilnice) je prikazan vprašaj.



11.4 Glavni meni



Glavni meni se prikaže,

- če prikaz stanja (⇒ 11.2) zapustite s pritiskom tipke OK;
- če v drugi menijski ravni pritisnete tipko Nazaj.

1. Začetek (⇒ 11.5)

Čas košnje
Začetna točka
Košnja v



2. Povratak (⇒ 11.6)

3. Načrt košnje (⇒ 11.7)

Avtomatsko
Trajanje košnje
Časi aktivnosti
Nov načrt za košnjo

4. Več (⇒ 11.8)

Blokiraj iMOW®
Koš. po robu
Nastavitve
Informacije



11.6 Povratak

Robotska kosilnica se pelje nazaj do polnilne postaje in napolni baterijo. Pri vklopljenem avtomatskem načinu robotska kosilnica v naslednjem možnem aktivnem času znova obdeluje površino za košnjo.



Robotsko kosilnico lahko nazaj v polnilno postajo pošljete tudi z aplikacijo. (⇒ 10.)

11.5 Začetek

	Začni košnjo	15:02		
Čas košnje		1.5 h		
Začetna točka		Začetna točka 1		
Košnja v		Glavna površina		

1. Čas košnje:

Določiti je mogoče čas košnje.

2. Začetna točka:

Določiti je mogoče začetno točko, na katero robotska kosilnica začne postopek košnje. Ta izbira je na voljo samo, če so določene začetne točke in kadar je robotska kosilnica na polnilni postaji.

3. Košnja v:

Izbrati je mogoče površino za košnjo. Ta izbira je na voljo samo, kadar je nameščena stranska površina.

11.7 Načrt za košnjo

	Načrt za koš.	11:02		
Avtomatska košnja		Vklop		
Trajanje košnje		18 h		
Časi aktivnosti		...		
Nov načrt za košnjo				

Avtomatska košnja

Vklop – Avtomatska košnja je vklopljena. Ob naslednjem aktivnem času robotska kosilnica kosi trato.

Izkl. – Vsi časi aktivnosti so deaktivirani.

Danes je premor – Robotska kosilnica se do naslednjega dne ne vozi samodejno. Ta izbira je na voljo samo, kadar so na trenutni dan prisotni časi aktivnosti.

Trajanje košnje

Nastavite lahko tedensko trajanje košnje. Nastavitev je mogoča samo pri vrsti načrta za košnjo »Dinamičen«. Predhodno nastavljena vrednost je prilagojena velikosti površine



za košnjo. (⇒ 14.4)

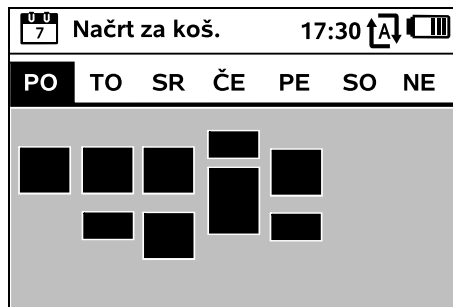
Upoštevajte napotke v poglavju

»Prilagodite programiranje«. (⇒ 15.3)



Trajanje košnje lahko nastavite tudi z aplikacijo. (⇒ 10.)

Časi aktivnosti



Shranjeni načrt za košnjo priključete prek menija »Časi aktivnosti« v meniju »Načrt za koš.«. Pravokotne površine pri vsakem dnevu predstavljajo shranjene čase aktivnosti. Črno označeni časi aktivnosti omogočajo košnjo, sive površine pa predstavljajo čase aktivnosti brez postopkov košnje – npr. pri izklopljenem aktivnem času.



Pri izklopljenem avtomatskem načinu je celoten načrt za košnjo neaktiven, vsi časi aktivnosti so sivo obarvani.

Če želite obdelati čase aktivnosti **posameznega dneva**, morate ta dan aktivirati s krmilnikom (pritisnite v levo ali desno) in odpreti podmeni **Časi aktivnosti**.



Časi aktivnosti		15:32				
PO	TO	SR	ČE	PE	SO	NE
<input checked="" type="checkbox"/>	08:00 - 12:00					
<input checked="" type="checkbox"/>	13:00 - 17:00					
	Nov aktivni čas					
<input checked="" type="checkbox"/>	Briši vse čase aktiv.					

V časih aktivnosti **s kljukico** je košnja dovoljena, v načrtu za košnjo so označeni s črno.

V časih aktivnosti **brez kljukice** košnja ni dovoljena, v načrtu za košnjo so označeni s sivo.



Upoštevajte napotke v poglavju »Napotki za košnjo – časi aktivnosti«. (⇒ 14.3)

Med časi aktivnosti se predvsem druge osebe ne smejo zadrževati v območju nevarnosti.



Shranjene čase aktivnosti lahko obdelate tudi v aplikaciji. (⇒ 10.)

Shranjene čase aktivnosti lahko izberete in obdelate posamezno.

Točko menija **Nov aktivni čas** lahko izberete, dokler so shranjeni manj kot 3 časi aktivnosti na dan.

Dodatni aktivni čas se ne sme prekrivati z drugimi časi aktivnosti.

Če želite, da robotska kosilnica na izbrani dan ne kosi, izberite točko menija **Briši vse čase aktiv.**

Spreminjanje časov aktivnosti:

<input checked="" type="checkbox"/>	Aktivni čas MO 08:00-12:00	<input checked="" type="checkbox"/>
<input checked="" type="checkbox"/>	Aktivni čas izklopljen	
	Spremeni aktivni čas	
<input checked="" type="checkbox"/>	Izbriši aktivni čas	<input checked="" type="checkbox"/>

Z **Aktivni čas izklopljen** oz. **Aktivni čas vklopljen** blokirate oz. sprostite izbrani čas aktivnosti za samodejno košnjo.

S **Spremeni aktivni čas** lahko spremenite časovno okno.

Če izbranega časa aktivnosti ne potrebujete več, izberite točko menija **Izbriši aktivni čas**.



Če časovna okna ne zadoščajo za potrebno košnjo in postopke polnjenja, podaljšajte ali dopolnite čase aktivnosti oz. skrajšajte trajanje košnje. Na zaslonu je prikazano ustrezno sporočilo.

Nov načrt za košnjo

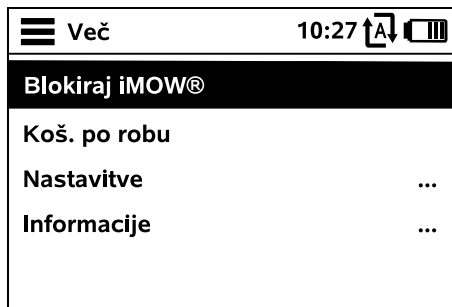
Ukaz **Nov načrt za košnjo** izbriše vse shranjene čase aktivnosti.

Priklican je korak namestitvenega vodnika »Programirajte robotsko kosilnico«. (⇒ 9.13)



Če zaključek novega programiranja sovпада z enim od aktivnih časov, robotska kosilnica po potrditvi posameznih dnevnih načrtov začne postopek samodejne košnje.

11.8 Več



1. Blokiraj iMOW®:

Aktiviranje blokade naprave.

Za odklepanje pritisnite prikazano kombinacijo tipk. (⇒ 5.2)

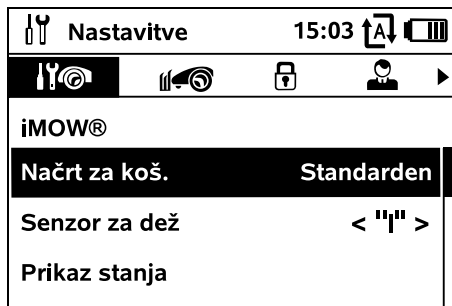
2. Koš. po robu:

Po aktivaciji robotska kosilnica začne kositi rob površine za košnjo. Po enem krogu se pelje nazaj do polnilne postaje in napolni baterijo.


3. Nastavitve(⇒ 11.9)

4. Informacije(⇒ 11.18)


11.9 Nastavitve




1. iMOW®:

prilagoditev nastavitve naprave  (⇒ 11.10)


2. Namestitev:

prilagoditev in preizkus namestitve (⇒ 11.13) 


3. Varnost:

prilagoditev varnostnih nastavitvev (⇒ 11.16) 

4. Servis:

vzdrževanje in servis (⇒ 11.17) 

5. Za trgovca:

Meni je zaščiten s **kodo trgovca**. Specializirani trgovec s pomočjo tega menija izvaja različne vzdrževalne in servisne aktivnosti. 


11.10 iMOW® – nastavitve naprave

1. Načrt za koš.:

Standarden: Med celotnim aktivnim časom robotska kosilnica kosi trato. Postopki košnje so prekinjeni samo med polnjenjem. Standardni načrt za košnjo je predhodno nastavljen.

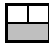
Dinamičen: Število in trajanje postopkov košnje ter polnjenja znotraj časov aktivnosti se prilagaja popolnoma samodejno.

2. Senzor za dež:

Senzor za dež lahko nastavite tako, da je v primeru dežja košnja prekinjena oz. se ne začne. 


- Nastavitev senzorja za dež (⇒ 11.11)


3. Prikaz stanja:

Izbira informacij za prikaz v prikazu stanja. (⇒ 11.2) 


- Nastavitev prikaza stanja (⇒ 11.12)


4 Čas:

Nastavitev trenutnega časa. Nastavljeni čas se mora ujemati z dejanskim časom, da preprečite neželeno košnjo robotske kosilnice. 

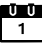
 Čas lahko nastavite tudi z aplikacijo. (⇒ 10.)

5 Datum:


Nastavitev trenutnega datuma. Nastavljeni datum se mora ujemati z dejanskim koledarskim datumom, da preprečite neželeno košnjo robotske kosilnice. 

 Datum lahko nastavite tudi z aplikacijo. (⇒ 10.)


6. Oblika datuma:

Nastavitev zelene oblike datuma. 


7. Jezik:

Nastavite zeleni zasloni jezik. Običajno je nastavljen jezik, ki je bil izbran ob prvi nastavitvi. 

8. Kontrast:

Po potrebi lahko nastavite kontrast zaslona. 

9. Energ. način:

Pri načinu **Standardno** je robotska kosilnica vedno povezana z internetom in dosegljiva z aplikacijo. (⇒ 10.) 

Pri načinu **ECO** se radijski promet med mirovanji zaradi zmanjšanja porabe energije deaktivira, zato robotska kosilnica z aplikacijo ni dosegljiva. V aplikaciji so prikazani zadnji razpoložljivi podatki.

11.11 Nastavitev senzorja za dež

Za nastavitev 5-stopenjskega senzorja za dež krmilnik pritisnite v levo ali desno.

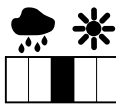


Trenutna vrednost je prikazana v meniju »Nastavitve« s črtno grafikom.

Pomikanje regulatorja vpliva na

- občutljivost senzorja za dež,
- čas čakanja robotske kosilnice po dežju, dokler se površina senzorja za dež ne posuši.

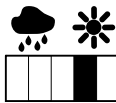
Pri **srednji občutljivosti** je robotska kosilnica pripravljena za uporabo v normalnih zunanjih pogojih.



Stolpec pomaknite še bolj **v levo** za košnjo pri višji vlažnosti. V povsem levem položaju robotska kosilnica kosi tudi pri vlažnih zunanjih pogojih in ne prekine postopka košnje, ko kaplje dežja zadenejo senzor.



Stolpec pomaknite še bolj **v desno** za košnjo pri nižji vlažnosti. V povsem desnem položaju robotska kosilnica kosi samo, če je senzor za dež popolnoma suh.



11.12 Nastavitev prikaza stanja

Za konfiguracijo prikaza stanja s krmilnikom izberite levi oz. desni prikaz in potrdite z OK.

Napolnjenost:

prikaz simbola baterije skupaj s stanjem napolnjenosti v odstotkih



Preostali čas:

Preostali čas trajanja košnje v tekočem tednu v urah in minutah. Ta prikaz je na voljo samo pri načrtu za košnjo »Dinamičen«.



Čas in datum:

trenutni datum in trenutni čas



Čas začetka:

začetek naslednjega načrtovanega postopka košnje. Pri tekočem aktivnem času je prikazano besedilo »aktiven«.



Postopki koš.:

Število vseh doslej opravljenih postopkov košnje



Ure košnje:

trajanje vseh doslej opravljenih postopkov košnje



Pot:

skupna prevožena pot



Omrežje:

moč signala mobilne povezave z oznako omrežja. Majhen x oz. vprašaj pomeni, da povezava robotske kosilnice z internetom ni na voljo. (⇒ 11.3), (⇒ 11.18)



Sprejem GPS:

koordinate GPS robotske kosilnice. (⇒ 11.18)



i Če za neposreden povratek (⇒ 11.15) ni shranjenega kartiranja, povratek robotske kosilnice poteka po robu in upoštevajo se nastavitve za prehod.

Izbrati je mogoče **tri** možnosti:

Izkl. – standardna nastavitev

Robotska kosilnica vozi po omejitveni žici.

Ozko – 40 cm

Robotska kosilnica vozi izmenično ob omejitveni žici ali zamaknjeno za 40 cm.

Široko – 40 - 80 cm

Razdalja od omejitvene žice je pri vsakem povratku naključno izbrana znotraj tega prehoda.

i V kombinaciji z zunanjo polnilno postajo ter pri pasažah in zoženjih mora biti za zamaknjen povratek nameščena **iskalna zanka**. (⇒ 12.12)

Pri zamaknjem povratku naj bo najmanjša razdalja žice 2 m.

2. Začetne točke:

Robotska kosilnica začne postopke košnje bodisi pri polnilni postaji (standardna nastavitev) ali pri začetni točki.



Začetne točke je treba določiti,

- če želite namenoma prevoziti delne površine, ker so nezadostno obdelane,
- če so območja dosegljiva le prek pasaže. Na teh delnih površinah določite vsaj eno začetno točko.

Začetnim točkam lahko dodelite **polmer**. Robotska kosilnica kosi, ko se začne postopek košnje pri tej začetni točki, vedno najprej znotraj kroga okrog začetne točke. Ko je ta delna površina obdelana, se postopek košnje nadaljuje na preostali površini za košnjo.

- Nastavitev začetnih točk (⇒ 11.14)

3. Neposreden povratek:

Ustvarite interno kartiranje površine za košnjo za neposreden povratek. (⇒ 11.15)

4. Stran. površine:

Sprostite stranske površine. 

Neaktivno – standardna nastavitev.

Aktivno – nastavitev, ki omogoča košnjo v stranskih površinah. V meniju »Začetek« je treba izbrati površino za košnjo (glavna/stranska površina). (⇒ 12.10)

5. Koš. po robu:


Določite pogostost košnje po robu. 

Nikoli – rob ne bo nikoli pokošen.

Enkrat – standardna nastavitev, rob bo pokošen enkrat tedensko.

Dvakrat/trikrat/štirikrat/petkrat – rob bo pokošen dvakrat/trikrat/štirikrat/petkrat tedensko.

6. Preizkušanje roba:

Zaženite vožnjo po robu za preverjanje pravilne položitve žice. 


Priključite se korak namestitvenega vodnika »Preverite namestitve«. (⇒ 9.12)



Za preverjanje pravilne položitve žice okrog zapornih površin sprednjo stran robotske kosilnice postavite v smeri zaporne površine na površini za košnjo in zaženite vožnjo po robu.

Med vožnjo po robu določite domače območje robotske kosilnice. Shranjeno domače območje se po potrebi razširi. (⇒ 14.5)

7. Nova namestitev:


Namestitveni vodnik se znova zažene, obstoječ načrt za košnjo se izbriše. (⇒ 9.) 

11.14 Nastavitev začetnih točk

Za nastavitev

- priučite začetne točke
- ali
- izberite želeno začetno točko in jo ročno definirajte.

Priučitev zač. točk:

Po pritisku tipke OK začne robotska kosilnica priučitveno vožnjo vzdolž omejitvene žice. Če ni priključena, najprej pelje do polnilne postaje. Vse obstoječe začetne točke so izbrisane. 



Med priučitveno vožnjo določite domače območje robotske kosilnice. Shranjeno domače območje se po potrebi razširi. (⇒ 14.5)

Med vožnjo lahko po odpiranju lopute s pritiskanjem tipke OK določite do 4 začetne točke.



Izognite se pritiskanju tipke STOP pred odpiranjem lopute, tako prekinete priučitveno vožnjo. Prekinitev je praviloma potrebna samo, če je treba spremeniti položitev žice ali odstraniti ovire.

Prekinitev postopka priučitve:

Ročno – s pritiskom tipke STOP.
Samodejno – z ovirami na robu površine za košnjo.

- Če je bila priučitvena vožnja samodejno prekinjena, popravite položaj omejitvene žice ali odstranite ovire.
- Pred nadaljevanjem priučitvene vožnje preverite položaj robotske kosilnice. Naprava mora biti na omejitveni žici ali znotraj površine za košnjo s sprednjo stranjo usmerjeno proti omejitveni žici.

Zaključitev postopka priučitve:

Ročno – po prekinitvi.

Samodejno – po priklopu.

Novo začetne točke se shranijo po priklopu na polnilno postajo oz. po prekinitvi s potrditvijo prek tipke OK (po odpiranju lopute).

Pogostost začetka:

S pogostostjo začetka se določi, kako pogosto naj se začne košnja pri eni začetni točki. Standardna nastavitev je 2 od 10 postopkov košnje (2/10) pri vsaki začetni točki.

- Po potrebi po priučitvi spremenite pogostost začetka.
- Če je bil postopek priučitve predčasno zaključen, robotsko kosilnico z ukazom pošljite do polnilne postaje. (⇒ 11.6)
- Okrog vsake začetne točke lahko po priučitvi določite **polmer** od 3 m do 30 m. Shranjenim začetnim točkam polmer ni standardno dodeljen.



Začetne točke s polmerom:

Ko se začne postopek košnje pri posamezni začetni točki, robotska kosilnica najprej kosi delno površino znotraj kroga okrog začetne točke. Šele zatem obdela tudi preostalo površino za košnjo.

Ročna nastavitev začetnih točk od 1 do 4:


Določite razdaljo začetnih točk od polnilne postaje in izberite pogostost začetka.

Razdalja ustreza poti od polnilne postaje do začetne točke v metrih, merjeno v smeri urnega kazalca.

Pogostost začetka je lahko med 0 od 10 postopkov košnje (0/10) in 10 od 10 postopkov košnje (10/10).

Okrog začetne točke lahko določite **polmer** od 3 m do 30 m.



i **Polnilna postaja** je definirana kot **začetna točka 0**, običajno se tu začnejo postopki košnje. Pogostost začetka ustreza izračunani preostali vrednosti med izbrano vrednostjo začetnih točk in vrednostjo 10 od 10. 

11.15 Neposreden povratek

Pametno iskanje poti robotski kosilnici omogoča neposreden, učinkovit povratek do polnilne postaje.

aktiven – Neposreden povratek je aktiven. Robotska kosilnica se prek površine za košnjo pelje do polnilne postaje.

neaktiven – Neposreden povratek je neaktiven. Robotska kosilnica pelje vzdolž omejitvene žice do polnilne postaje.

priučitev – ustvari se interno kartiranje površine za košnjo. Če je zemljevid že shranjen, se izbriše.

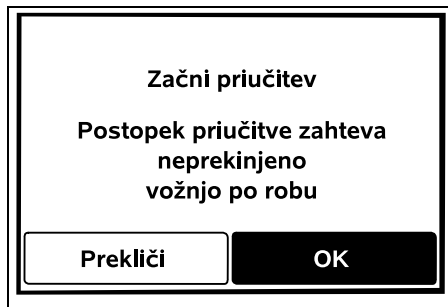
i Med priučitveno vožnjo se shrani interni zemljevid površine za košnjo. Zato se mora vožnja po robu neprekinjeno izvesti.

Predpogoji za kartiranje površine za košnjo:

- Robotska kosilnica se mora brez prekinitve odpeljati vzdolž celotne omejitvene žice.
- Ovire in napake v položitvi žice vodijo v prekinitve. Ovire odstranite, položite žice po potrebi popravite.

Izvedba kartiranja površine za košnjo:

- Izberite točko menija »Priučitev«.
- Za postopek priučitve je potrebna izvedena neprekinjena vožnja po robu.



- Odstranite ovire vzdolž omejitvene žice. Potrdite z OK.
- Če je na voljo interni zemljevid, se pojavi vprašanje, če ga želite izbrisati.
- Če potrdite z OK, se loputa zapre. Robotska kosilnica se odpelje vzdolž roba. V ozadju se ustvari interni zemljevid površine za košnjo.

Pri uspešno izvedenem kartiranju površine za košnjo:

- Postopek priučitve se samodejno zaključi, ko se robotska kosilnica priklopi na polnilno postajo.
- Pojavi se sporočilo »Postopek priučitve uspeh«. Neposreden povratek je aktiven.

Če je vožnja vzdolž roba prekinjena:

i Vožnja po robu se zaradi trčenja v ovire prekine ali pa je bila ročno prekinjena, če ste pritisnili tipko STOP.

Po prekinitvi je treba priučitveno vožnjo znova zagnati od polnilne postaje.

- Pojavi se sporočilo »Prekini priučitev – Priučitev ni uspela«.

- Pojavi se vprašanje, če želite prekiniti vožnjo po robu. Če tega ne želite: robotska kosilnica se bo vzdolž omejitvene žice samodejno odpeljala do polnilne postaje. Priučitveno vožnjo je treba za uspešno izvedbo kartiranja znova zagnati. Če to želite: robotsko kosilnico ročno odnesite do polnilne postaje.

- Pojavi se vprašanje, če želite ponoviti postopek priučitve.
- Če potrdite z »Da«, robotsko kosilnico priključite na polnilno postajo, potrdite z OK in zaprite loputo. Postopek priučitve se znova zažene.

i Če prilagodite položaj omejitvene žice, je treba zemljevid površine za košnjo znova ustvariti.

i Če je korak »Preizkušanje roba« ob prvi namestitvi izveden brez prekinitve, se v ozadju samodejno ustvari zemljevid površine za košnjo.

11.16 Varnost

1. Blokada napr.
2. Stopnja
3. GPS-zaščita
4. Spreminj. kode PIN
5. Opoz. signal
6. Menijski toni
7. Zaklep. tipk
8. Sez. iMOW® + postaja

1. Blokada napr.:

Z OK aktivirate blokado naprave, robotske kosilnice ne morete več




zagnati.

Robotsko kosilnico morate blokirati pred vsemi vzdrževalnimi deli in čiščenji, pred transportom ter preverjanjem. (⇒ 5.2)

- Za sprostitvev zapore naprave pritisnite prikazano kombinacijo tipk.

2. Stopnja:

Nastavite lahko 4 varnostne stopnje,  glede na stopnjo bodo aktivne določene blokade in zaščitne naprave.

– Brez:

Robotska kosilnica je nezaščiten.

– Nizka:

Vnos PIN je aktiven; seznanjanje robotske kosilnice in polnilne postaje ter ponastavitve naprave na tovarniške nastavitve je mogoče izvesti šele po vnosu kode PIN.

– Srednja:

Kot pri stopnji »Nizka«, dodatno je aktivna še časovna blokada.

– Visoka:

Vedno je zahtevan vnos kode PIN.



STIHL priporoča, da nastavite eno od varnostnih stopenj na možnost »Nizka«, »Srednja« ali »Visoka«.

- Izberite želeno stopnjo in potrdite z OK, po potrebi vnesite 4-mestno kodo PIN.

Vnesi PIN:

Če je kosilnica nagnjena za več kot 10 sekund, se prikaže zahteva za vnos kode PIN. Če koda PIN ni vnesena v eni minuti, se zasliši zvok alarma, poleg tega se izklopi avtomatski način.

Blok. seznan.:

Zahteva za vnos kode PIN pred seznanjanjem robotske kosilnice in polnilne postaje.

Blok. ponast.:

Zahteva za vnos kode PIN pred

ponastavitvijo naprave na tovarniške nastavitve.


Časovna blokada:

Zahteva za vnos kode PIN za spreminjanje nastavitve, če že več kot en mesec niste vnesli kode PIN.

Zašč. nastavit.:

Zahteva za vnos kode PIN pri spreminjanju nastavitve.

3. GPS-zaščita:

Vklop oz. izklop nadzora položaja.  (⇒ 5.9)




Priporočilo:

GPS-zaščita naj bo vedno vklopljena.

Pred vklopom v aplikaciji (⇒ 10.) vnesite mobilno številko lastnika in na robotski kosilnici nastavite varnostno stopnjo »Nizka«, »Srednja« ali »Visoka«.

4. Spreminj. kode PIN:

Po potrebi lahko spremenite 4-mestno kodo PIN. 



Točka menija »Spreminj. kode PIN« je prikazana le pri varnostnih stopnjah »Nizka«, »Srednja« ali »Visoka«.

- Najprej vnesite staro kodo PIN in potrdite z OK.
- Nastavite novo 4-mestno kodo PIN in potrdite z OK.



STIHL priporoča, da si zabeležite spremenjeno kodo PIN.


Če je 5-krat vnesena napačna koda PIN, je potrebna 4-mestna **glavna koda**, poleg tega se izklopi avtomatski način.

Za naročilo glavne kode se obrnite na specializiranega trgovca STIHL ali neposredno na podporo za iMOW® na


support@imow.stihl.com.

Posredujte 9-mestno serijsko številko in 4-mestni datum, ki je prikazan na zaslonu iMOW®.


5. Opoz. signal:

Vklop oz. izklop zvočnega signala, ki se zasliši pred vklopom noža za košnjo. 

6. Menijski toni:


Vklop oz. izklop zvočnega signala (klikanja), ki se zasliši, ko se odpre meni oz. je izbira potrjena z OK. 

7. Zaklep. tipk:

če je vklopljeno zaklepanje tipk, lahko tipke na zaslonu uporabljate le, če najprej pritisnete tipko **Nazaj** in jo zadržite, obenem pa krmilnik pritisnete **naprej**. 

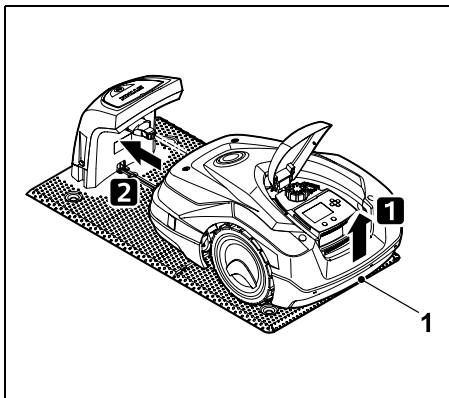
Zaklep tipk se aktivira 2 minuti po zadnjem dotiku tipk.

8. Sez. iMOW® + postaja:

Robotska kosilnica po prvem zagonu deluje izključno skupaj z nameščeno polnilno postajo. 

Po zamenjavi polnilne postaje oz. elektronskih sestavnih delov v robotski kosilnici ali za zagon robotske kosilnice na drugi površini za košnjo z drugo polnilno postajo morate robotsko kosilnico spojiti s polnilno postajo.

- Namestite polnilno postajo in priključite omejitveno žico. (⇒ 9.8), (⇒ 9.10)



nico nekoliko dvignite za nosilni ročaj (1), da razbremenite pogonska kolesa. Napravo, oprto na sprednja kolesa, potisnite v polnilno postajo.

- Po pritisku tipke OK vnesite kodo PIN, nato robotska kosilnica išče signal žice in ga samodejno shrani. Postopek traja več minut. (⇒ 9.11)

i Koda PIN pri varnostni stopnji »Brez« ni potrebna.

11.17 Servis

1. Zamenjava noža:

Z OK potrdite vgradnjo novega noža. Števec se ponastavi.

2. Iskanje prekinitve žice:

Če je omejitvena žica prekinjena, na polnilni postaji hitro utripa rdeča lučka LED. (⇒ 13.1)

- Iskanje prek. žice (⇒ 16.7)

3. Zimski počit.:

S tipko OK robotsko kosilnico nastavite na zimski počitek. Nastavitve se bodo ohranile, ura in datum pa bosta ponastavljena.

- Pred zimskim počitkom popolnoma napolnite baterijo.
- Za ponovni zagon napravo zbudite s pritiskom poljubne tipke.

4. Ponastav. nastavitvev:

Z OK bo robotska kosilnica ponastavljena na tovarniške nastavitve, namestitveni vodnik se bo znova zagnal. (⇒ 9.6)

- Po pritisku tipke OK vnesite kodo PIN.

i Koda PIN pri varnostni stopnji »Brez« ni potrebna.

11.18 Informacije

i Informacije	10:32	
Sporočila		
Zazan dež	PE 13:52	
Priporočilo	NE 15:00	

1. Sporočila:

Seznami vseh aktivnih napak, motenj in priporočil; prikazana so skupaj s časom pojavitve. Pri brezhibnem delovanju je prikazano besedilo »Ni sporočil«. Podrobnosti sporočila se prikažejo po pritisku tipke OK. (⇒ 24.)

2. Dogodki:

Seznam zadnjih aktivnosti robotske kosilnice. Podrobnosti dogodka (dodatno besedilo, čas in koda) se prikažejo po pritisku tipke OK.

i Če do nekaterih aktivnosti prihaja nenavadno pogosto, ima specializirani trgovec pripravljene nadaljnje podrobnosti. Napake v normalnem delovanju so dokumentirane s sporočili.

3. Stanje iMOW®:

Informacije o robotski kosilnici

- Napolnjenost:
Napolnjenost baterije v odstotkih
 - Preostali čas:
Preostali čas trajanja košnje v tekočem tednu v urah in minutah
 - Datum in čas
 - Čas začetka:
Začetek naslednjega načrtovanega postopka košnje
 - Število vseh zaključenih postopkov košnje
 - Ure košnje:
Trajanje vseh zaključenih postopkov košnje v urah
 - Pot:
Skupna prevožena pot v metrih
 - Ser.-No.:
Serijska številka robotske kosilnice, tudi odtisnjena na tipski ploščici (glejte opis naprave) (⇒ 3.1)
 - Baterija:
Serijska številka akumulatorske baterije
 - Progr. oprema:
Nameščena programska oprema naprave
- ### 4. Stanje trate:
- Informacije o travnati površini
- Površina za košnjo v kvadratnih metrih:
Vrednost vnesete pri prvi namestitvi oz. pri novi namestitvi. (⇒ 9.13)

- Čas kroga:
Trajanje kroga okrog površine za košnjo v minutah in sekundah
- Začetne točke 1 – 4:
Razdalja vseh začetnih točk polnilne postaje v metrih, merjeno v smeri urnega kazalca. (⇒ 11.14)
- Obseg:
Obseg površine za košnjo v metrih
- Koš. po robu:
Pogostost košnje po robu na teden (⇒ 11.13)

5. Stanje radijskega modula:

Informacije o radijskem modulu



- Sateliti:
Število satelitov v dosegu
- Položaj:
Trenutni položaj robotske kosilnice; razpoložljiv pri zadostni satelitski povezavi
- Moč signala:
Moč signala mobilne povezave; več prikazanih znakov plus (najv. »++++«) pomeni boljšo povezavo.
- Omrežje:
Oznaka omrežja, sestavljena iz kode države (MCC) in kode ponudnika (MNC)
- Mobilna številka:
Mobilna telefonska številka lastnika; vnese se jo v aplikacijo. (⇒ 10.)
- IMEI:
Številka strojne opreme radijskega modula
- IMSI:
Mednarodna oznaka uporabnika mobilnega omrežja

- SW:
Različica programske opreme radijskega modula
- Ser.-No.:
Serijska številka radijskega modula
- Modem SN:
Serijska številka modema

12. Omejitvena žica



Pred polaganjem

omejitvene žice, zlasti pred prvo namestitvijo, preberite celotno poglavje in natančno načrtujte položitev žice.



Opravite prvo namestitev z namestitvenim vodnikom. (⇒ 9.)

Če potrebujete podporo, vam pri pripravi površine za košnjo in namestitvi omejitvene žice z veseljem pomaga vaš specializirani trgovec STIHL.

Pred dokončnim fiksiranjem omejitvene žice preverite namestitev. (⇒ 9.) Položitve žice je praviloma treba prilagoditi na območjih pasaž, zoženj ali zapornih površin.

Do odstopanj lahko pride,

- če so bile tehnične možnosti robotske kosilnice popolnoma izkoriščene, po možnosti z zelo dolgimi pasažami ali pri polaganju na območju kovinskih predmetov oz. preko kovine pod travnato površino (npr. vodne in električne napeljave),
- če je bila površina za košnjo gradbeno spremenjena posebej za uporabo robotske kosilnice.



V teh navodilih za uporabo navedene razdalje žice so prilagojene položitvi omejitvene žice na površini trate.

Omejitveno žico lahko zakopljete do globine 10 cm (npr. z ustrezno polagalno napravo).

Če je žica zakopana v tla, to praviloma vpliva na sprejem signala, zlasti če so čez omejitveno žico položene plošče ali tlakovci. Robotska kosilnica po potrebi vozi bolj po zunanji strani vzdolž omejitvene žice, kar se odraža v povečani potrebi po prostoru v pasažah, zoženjih ter vožnji po robu. Po potrebi prilagodite položitev žice.

12.1 Načrtovanje polaganja omejitvene žice



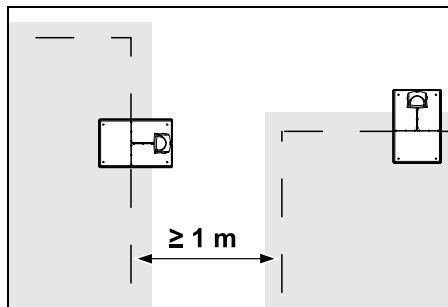
Upoštevajte **primere namestitve** na koncu navodil za uporabo. (⇒ 27.)

Zaporne površine, pasaže, stranske površine, iskalne zanke in rezerve žice pripravite že med polaganjem omejitvene žice, da se izognete poznejšim popravkom.

- Določite **местo polnilne postaje** (⇒ 9.1)
- **Ovire** na površini za košnjo bodisi odstranite ali predvidite zaporne površine. (⇒ 12.9)
- **Omejitvena žica:**
Omejitvena žica mora biti položena v neprekinjeni zanki okrog celotne površine za košnjo.
Največja dolžina:
500 m

i Pri majhnih površinah za košnjo z dolžino žice, manjšo od 80 m, je treba skupaj z omejitveno žico namestiti dodatno opremo **AKM 100**. (⇒ 9.9)

- **Pasaže in stranske površine:**
Za košnjo v avtomatskem načinu povežite vsa območja površine za košnjo s **pasajami**. (⇒ 12.11)
Če za to ni dovolj prostora, uredite **stranske površine**. (⇒ 12.10)
- Pri polaganju omejitvene žice upoštevajte **razdalje** (⇒ 12.5):
pri sosednjih prevoznih površinah (stopnja terena je manjša kot +/- 1 cm, npr. pešpoti): **0 cm**;
pri pasajah: **22 cm**;
pri visokih ovirah (npr. zidovi, drevesa): **28 cm**;
najmanjša razdalja žice v zoženjih: **44 cm**
pri vodnih površinah in možnih mestih padca (robvih, stopnicah): **100 cm**
- **Koti:**
Izogibajte se polaganju v ostre kote (manjše od 90°)
- **Iskalne zanke:**
Pri uporabi zamaknjenega povratka (prehoda) morate pri pasajah oz. zunanjih polnilnih postajah namestiti iskalne zanke. (⇒ 12.12)
- **Rezerve žice:**
Da lahko naknadno lažje spremenite polaganje omejitvene žice, pripravite več rezerv žice. (⇒ 12.15)



Površine za košnjo se ne smejo prekrivati. Upoštevajte najmanjšo razdaljo **≥ 1 m** med omejitvenimi žicami dveh površin za košnjo.

i Naviti preostanki omejitvene žice lahko povzročijo motnje in jih morate odstraniti.

12.2 Napravite skico površine za košnjo



Pri namestitvi robotske kosilnice in polnilne postaje priporočamo, da napravite skico površine za košnjo. Temu je namenjena stran na začetku navodil za uporabo.
To skico posodobite v primeru kasnejših sprememb.

Vsebina skice:

- **Obris površine za košnjo** s pomembnimi ovirami, mejami in morebitnimi zapornimi površinami, kjer robotska kosilnica ne sme obratovati. (⇒ 27.)
- Položaj **polnilne postaje** (⇒ 9.8)
- Lega **omejitvene žice**
Omejitvena žica se v kratkem času vraste v tla in je ni več mogoče videti. Zabeležite predvsem postavitev žice okoli ovir. (⇒ 9.9)

- Lega **spojnika kablov**
Uporabljenih spojnikov kabla čez čas ni več mogoče videti. Zapišite položaj spojnikov, da jih lahko po potrebi zamenjate. (⇒ 12.16)

12.3 Polaganje omejitvene žice

i Uporabljajte samo originalne pritrditvene žeblje in originalno omejitveno žico. **Namestitveni paketi** s potrebnim namestitvenim materialom so na voljo pri specializiranem trgovcu STIHL. (⇒ 18.)

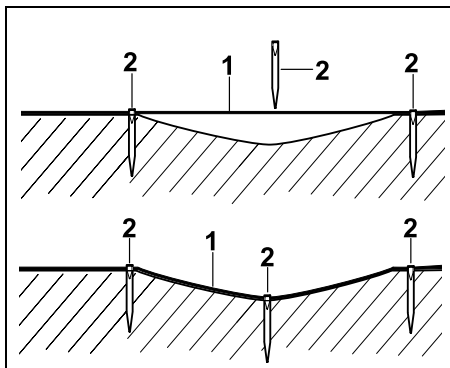
Smer polaganja (v smeri ali nasprotni smeri urnega kazalca) lahko izberete po potrebi.

Pritrditvenih žebeljev nikoli ne izvlecite s pomočjo omejitvene žice – vedno uporabljajte primerno orodje (npr. kombinirke).

Zabeležite potek omejitvene žice na skici. (⇒ 12.2)



- Namestite polnilno postajo. (⇒ 9.8)
- Omejitveno žico položite tako, da izhaja iz polnilne postaje okrog površine za košnjo in okrog morebitnih ovir (⇒ 12.9) in jo pritrдите na tla s pritrditvenimi žebli. Razdalje preverite z merilom iMOW® Ruler. (⇒ 12.5)
Upoštevajte napotke v poglavju »Prva namestitvev«. (⇒ 9.9)
- Priključite omejitveno žico. (⇒ 9.10)

i Napotek:
Izogibajte se previsoki napetosti omejitvene žice, da preprečite prekinitvev žice. Predvsem pri polaganju žice s polagalno napravo upoštevajte, da se mora omejitvena žica narahlo odvijati z navitka.

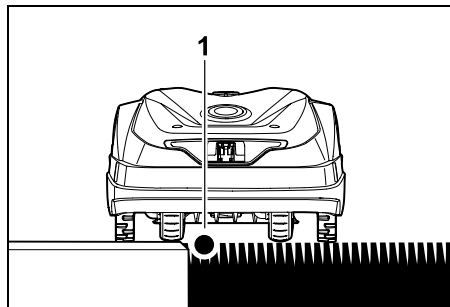


Omejitveno žico (1) položite nad zemljo in jo na neravninah pritrdite z dodatnimi pritrditvenimi žebli (2). Tako preprečite, da bi nož za košnjo prerezal žico.

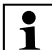
12.4 Priklučitev omejitvene žice

- Iztaknite omrežni vtič in nato snemite pokrov polnilne postaje. 
- Položite omejitveno žico in kablenska vodila talne plošče, jih vstavite skozi podnožje, konce izolirajte in jih priključite na polnilno postajo. Upoštevajte napotke v poglavju »Prva namestitvev«. (⇒ 9.10)
- Namestite pokrov polnilne postaje in nato priključite omrežni vtič. 
- Preverite signal žice. (⇒ 9.11)
- Preverite priklop na polnilno postajo. (⇒ 15.6)
Po potrebi popravite položaj omejitvene žice pri polnilni postaji.

12.5 Razdalje žice – uporaba merila iMOW® Ruler

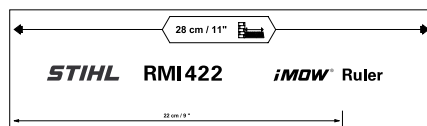


Vzdolž prevoznih ovir, kot so terase, in prevoznih poti lahko omejitveno žico (1) položite **brez razdalje**. Robotska kosilnica se nato pelje z enim zadnjim kolesom zunaj površine za košnjo. Največja stopnja terena za rušo: +/- 1 cm


 Pri negovanju travnih robov pazite, da se ne poškoduje omejitvena žica. Po potrebi namestite omejitveno žico tako, da je od travnega roba nekoliko oddaljena (28 cm).

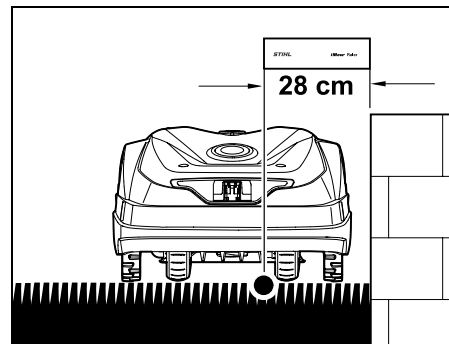
Merjenje razdalje žice z orodjem iMOW® Ruler:

Da lahko omejitveno žico ustrezno položite na pravilni razdalji do roba travne površine in do ovir, za merjenje razdalje uporabite iMOW® Ruler.



Visoka ovira:

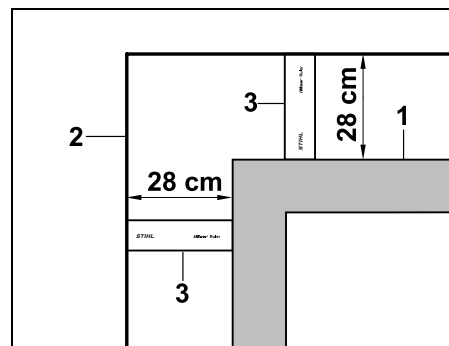
Razdalja med visoko oviro in omejitveno žico. 



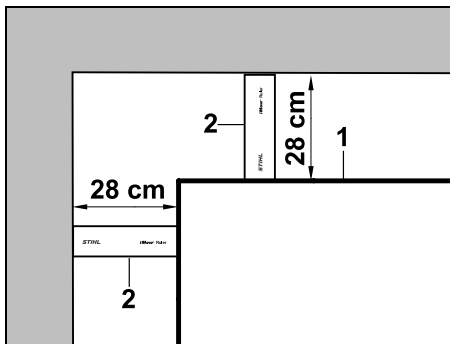
Robotska kosilnica se mora v celoti peljati znotraj površine za košnjo in se pri tem ne sme dotakniti ovire.

Pri razdalji 28 cm se robotska kosilnica brez trčenja ob oviro vzdolž omejitvene žice v kotu pelje okoli visoke ovire.

Položitev žice okoli visoke ovire:



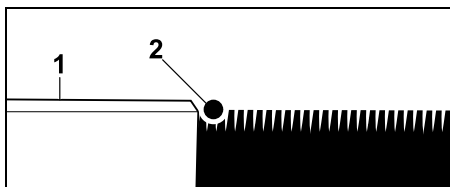
Pri polaganju okrog visokih ovir (1), kot so betonski vogali ali visoke grede, morate v kotih natančno upoštevati razdaljo žice, da jih robotska kosilnica ne oplazi. Omejitveno žico (2) položite z merilom iMOW® Ruler (3), kot je prikazano.
Razdalja žice: 28 cm



Pri polaganju omejitvene žice (1) v notranjem kotu na visoki oviri izmerite razdaljo žice z merilom iMOW® Ruler (2).
Razdalja žice: 28 cm

Izmerite višino ovir:

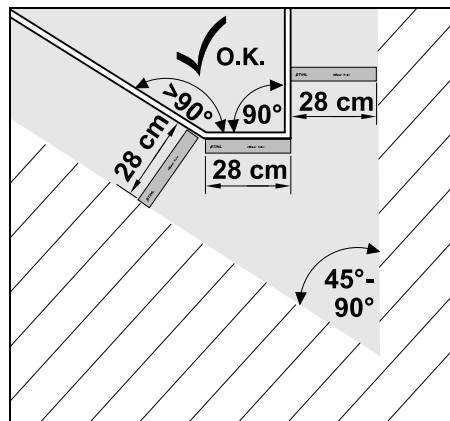
Robotska kosilnica lahko prevozi sosednje površine, kot so poti, če je stopnja terena, ki ga je treba premagati, manjša od ± 1 cm.



Razlika v višini do prevozne ovire (1) je manjša od ± 1 cm: Omejitveno žico (2) položite brez razdalje do ovire.

i Po potrebi višino košnje nastavite tako, da robotska kosilnica s kosilno napravo ne trči ob ovire. Če je nastavljena najnižja višina košnje, lahko zato robotska kosilnica premaga le stopnje terena, ki so manjše od navedenih.

12.6 Ostri koti



V ostrih kotih trate ($45^\circ - 90^\circ$) položite omejitveno žico, kot je prikazano. Oba kota morata biti na razdalji najmanj **28 cm**, tako da lahko robotska kosilnica prevozi rob.

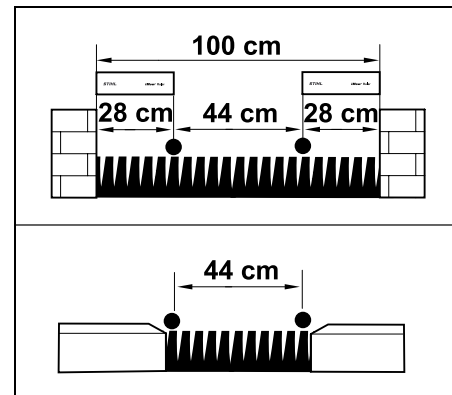
Kotov, manjših od 45° , ne vključite v položitev žice.

12.7 Zoženja

i Če so nameščena zoženja, zamik povratka (prehod izklopite (\Rightarrow 11.13) ali namestite iskalne zanke. (\Rightarrow 12.12)

Robotska kosilnica samodejno prevozi vsa zoženja, dokler je upoštevana najmanjša razdalja od žice. Ožja območja površine za košnjo je treba izključiti z ustrezno položeno omejitveno žico.

Če sta dve površini za košnjo povezani z ozkim območjem, ki ga lahko kosilnica prevozi, uredite pasažo. (\Rightarrow 12.11)



Najmanjša razdalja od žice je **44 cm**.

Iz tega sledi v **zoženjih** naslednja prostorska razporeditev:

- med visokimi ovirami z več kot ± 1 cm višine, npr. zidovi, **100 cm**;
- med sosednjimi prevoznimi površinami s terasami, ki so manjše od ± 1 cm, npr. pešpotmi, **44 cm**.

12.8 Namestitev povezovalnih prog

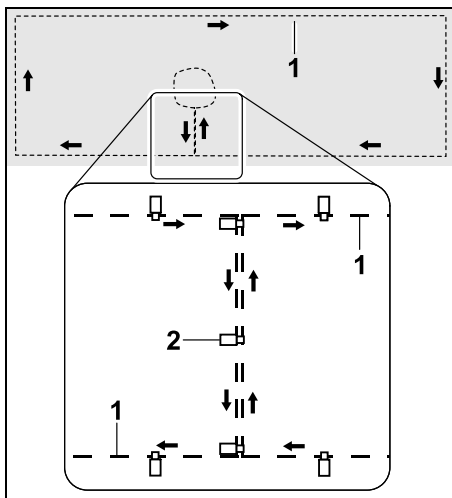
Robotska kosilnica prezre signal omejitvene žice, če sta žici zelo blizu in vzporedno položeni ena ob drugi.

Povezovalne proge morate namestiti,

- če želite namestiti stranske površine. (\Rightarrow 12.10)
- če so potrebne zaporne površine. (\Rightarrow 12.9)

i Podjetje STIHL priporoča, da povezovalne proge položite skupaj z ustreznimi zapornimi oz. stranskimi površinami, ko polagate žico.

Pri naknadni namestitvi prekinite zanko žice, povezovalne proge morajo biti nato prikjučene z dobavljenimi spojniki kabla. (⇒ 12.16)



Na povezovalnih progah je omejitvena žica (1) položena vzporedno, žice se ne smejo križati in morajo ležati zelo blizu ena ob drugi. Povezovalno progo z zadostnim številom pritrditvenih žebeljev (2) pritrдите na tla.

12.9 Zaporne površine

Zaporne površine uredite

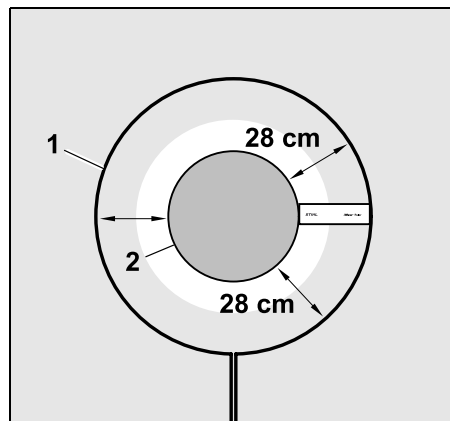
- okrog ovir, ki se jih robotska kosilnica ne sme dotakniti,
- okrog ovir, ki niso dovolj stabilne,

- okrog ovir, ki so preizke. Najmanjša višina: 8 cm

Podjetje STIHL priporoča,

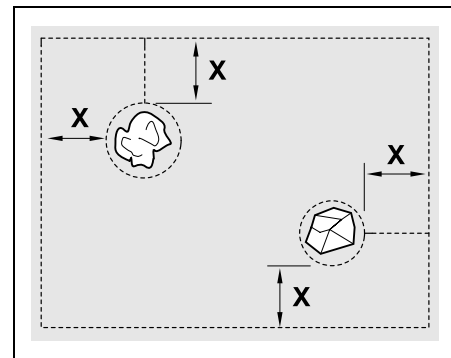
- da ovire odstranite oz. jih izključite z zapornimi površinami,
- da zaporne površine po prvi namestitvi oz. po spremembah namestitve žice preverite z ukazom »Preizkušanje roba«. (⇒ 11.13)

Razdalja za položitev omejitvene žice okrog zaporne površine: **28 cm**



Robotska kosilnica se vzdolž omejitvene žice (1) brez trčenja pelje okoli ovire (2).

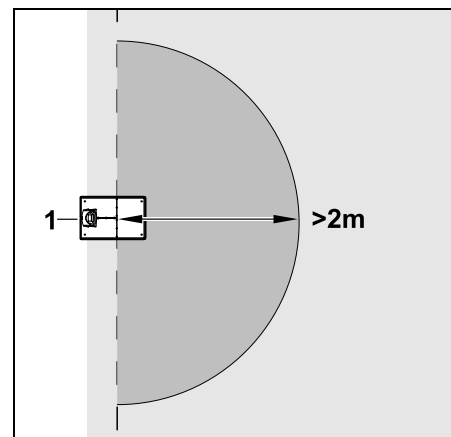
Da bi zagotovili robustno delovanje, morajo biti zaporne površine pretežno okrogle oblike in ne ovalne, pravokotne ali ukrivljene navznoter.



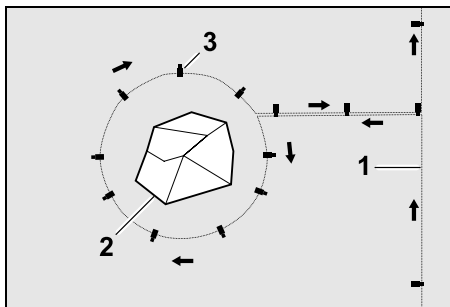
Zaporne površine morajo imeti **najmanjši premer 56 cm**.

Razdalja do robne zanke (X) mora biti večja od 44 cm.

i Priporočilo: Zaporne površine naj imajo največji premer 2–3 m.



Da se izognete motnjam pri priklopu na polnilno postajo, najmanj **2 m** okrog polnilne postaje (1) ne smejo biti urejene zaporne površine.

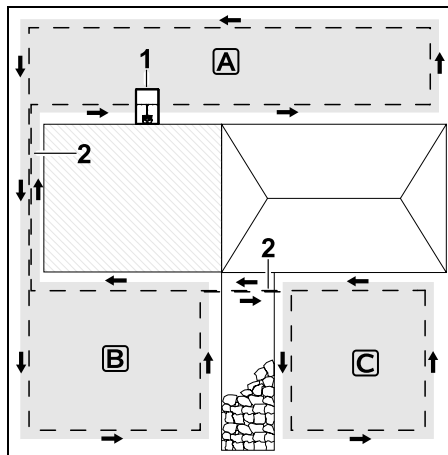


Omejitveno žico (1) speljite z obrobja do ovire, s pravo razdaljo jo položite okoli ovire (2) in z zadostnim številom pritrditvenih žebeljev (3) pritrdite na tla. Nato omejitveno žico položite nazaj do obrobja.

Med oviro in obrobjem je omejitveno žico treba položiti **vzporedno** v povezovalno proggo. Pri tem je pomembno, da smer polaganja okrog zaporne površine ostane enaka (⇒ 12.8)

12.10 Stranske površine

Stranske površine so območja košnje, ki jih robotska kosilnica ne more obdelati **popolnoma avtomatsko**, ker dovoz ni mogoč. Na ta način je mogoče obrobiti več ločenih površin za košnjo z omejitveno žico. Robotsko kosilnico morate ročno prenesti z ene površine za košnjo na drugo. Košnja se sproži prek menija »Začetek« (⇒ 11.5).



Polnilna postaja (1) je nameščena na površini za košnjo **A**; ta je v skladu z načrtom za košnjo obdelana popolnoma avtomatsko.

Stranski površini **B** in **C** s povezovalnimi progami (2) povezani s površino za košnjo **A**. Na vseh površinah mora biti omejitvena žica položena v isti smeri – ne križajte omejitvene žice s spojnimi programi.

- Stranske površine aktivirajte v meniju »Več – Nastavitve – Namestitve«. (⇒ 11.13)

12.11 Pasaže

Če je potrebno kositi več površin za košnjo (npr. površine za košnjo pred in za hišo), jih lahko povežete s pasažo. Tako je mogoče **samodejno** obdelati vse površine za košnjo.

i V pasažah je trava košana le pri vožnji vzdolž omejitvene žice. Po potrebi aktivirajte samodejno košnjo po robu ali na območju pasaže redno ročno kosite. (⇒ 11.13)

Če so nameščene pasaže, zamik povratka (prehod) izklopite (⇒ 11.13) ali namestite iskalne zanke. (⇒ 12.12)

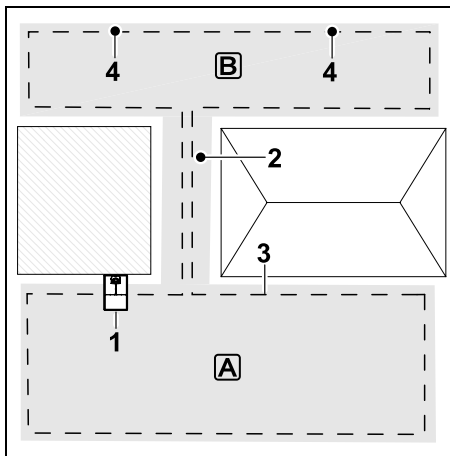
Navedene razdalje žice in šablone za pasaže so prilagojene na položitev omejitvene žice na površini trate. Pri zelo globoko položeni omejitveni žici, npr. pod tlakovci, se mere razlikujejo. Preverite delovanje in po potrebi prilagodite položitev žice.

Predpogoji:

- **Najmanjša širina** med nepremičnimi ovirami na območju pasaže 88 cm, med potmi, ki jih je mogoče prevoziti, 22 cm.

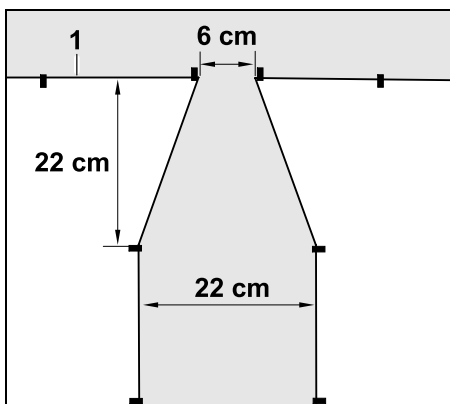
i V daljših pasažah je odvisno od sestave tal treba upoštevati rahlo povečano potrebo po prostoru. Daljše pasaže vedno uredite kar se da sredinsko poravnano med ovirami.

- Pasaža je prosto prevozna.
- V območju druge površine za košnjo je definirana vsaj ena **začetna točka**. (⇒ 11.14)



Polnilna postaja (1) je nameščena na površini za košnjo **A**. Površina za košnjo **B** je s pasažo (2) povezana s površino za košnjo **A**. Robotska kosilnica lahko v celoti obvozi omejitveno žico (3). Za obdelovanje površine za košnjo B je treba določiti začetne točke (4). (⇒ 11.14) Posamezni postopki košnje se nato začnejo pri začetnih točkah glede na nastavitve (pogostost začetka).

Ureditev začetka in konca pasaže:

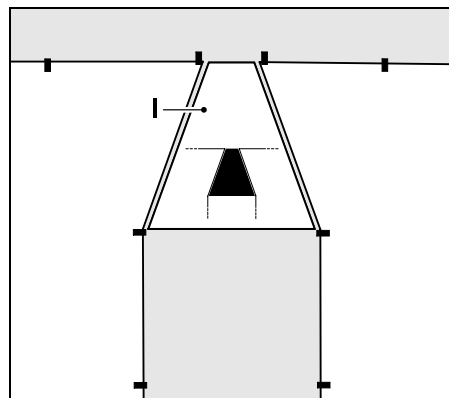


Na začetku in koncu pasaže je treba lijakasto položiti omejitveno žico (1), kot je prikazano. Tako se izognete neželeni vožnji robotske kosilnice po pasaži med postopkom košnje.



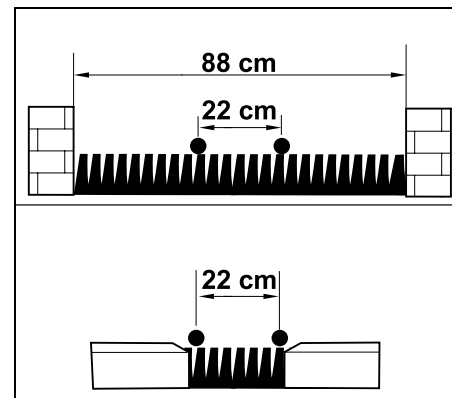
Mere so v veliki meri odvisne od okolja in terena. Pri pasažah z lijakastim začetkom oz. koncem vedno preverite, ali lahko robotska kosilnica te pasaže dejansko tudi prevozi.

Omejitveno žico levo in desno od vhoda pasaže položite naravnost tako, da je oddaljena približno za dolžino naprave.



Za namestitvev lijakastega uvoza in izvoza lahko uporabite tudi priloženo šablono za pasaže (l).

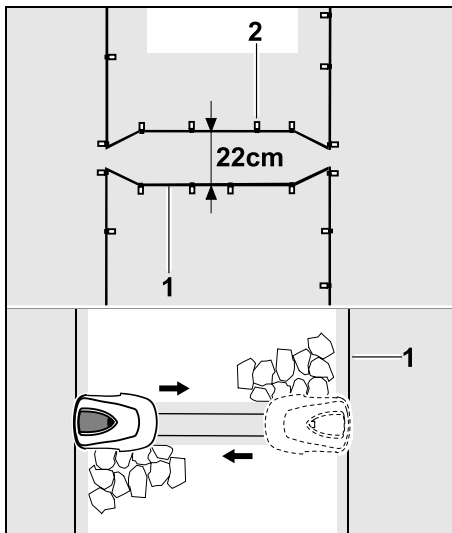
Ureditev pasaže:



Razdalja žice v pasažah: **22 cm**

Iz tega sledi sledeča prostorska zahteva:

- med visokimi ovirami (nad 1 cm višine – npr. zidovi) **88 cm**,
- med potmi oz. ovirami, ki jih je mogoče prevoziti (manj kot 1 cm višine – npr. poti): **22 cm**.



V pasažah omejitveno žico (1) položite vzporedno in jo z zadostnim številom pritrditvenih žebeljev (2) pritrdite na tla. Na začetku in na koncu pasaže uredite lijakast uvoz in izvoz.

12.12 Iskalne zanke za zamaknjen povratek

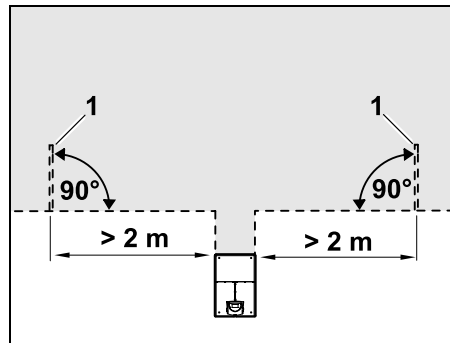
Če je aktiviran povratek z zamikom, so predvidene iskalne zanke,

- kadar je nameščena zunanja polnilna postaja
- ali
- kadar površina za košnjo zajema pasaže ali zoženja.

Način delovanja:

Kadar se robotska kosilnica premika zamaknjeno navznoter vzdolž omejitvene žice, med povratkom prečka eno od iskalnih zank. Nato pelje do omejitvene žice in dalje do polnilne postaje.

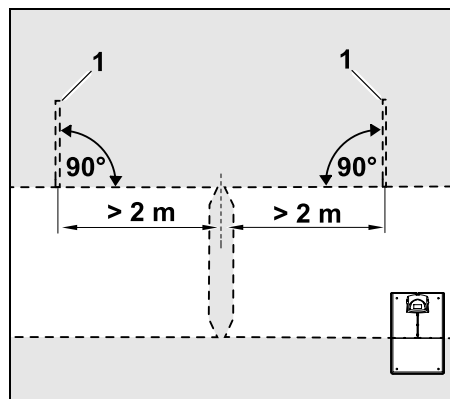
Iskalne zanke pri uporabi zunanje polnilne postaje:



Levo in desno poleg dovoza do zunanje polnilne postaje je treba namestiti dve iskalni zanki (1), in sicer pod kotom 90° na omejitveno žico.

Najmanjša razdalja do dovoza: **2 m**

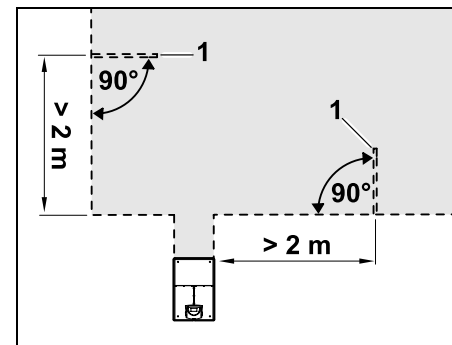
Iskalne zanke pri pasažah:



Levo in desno poleg dovoza na pasažo je treba namestiti dve iskalni zanki (1), in sicer pod kotom 90° na omejitveno žico ter vedno samo na delu površine za košnjo, ki ga je mogoče doseči samo preko pasaže. Najmanjša razdalja do dovoza na pasažo: **2 m**

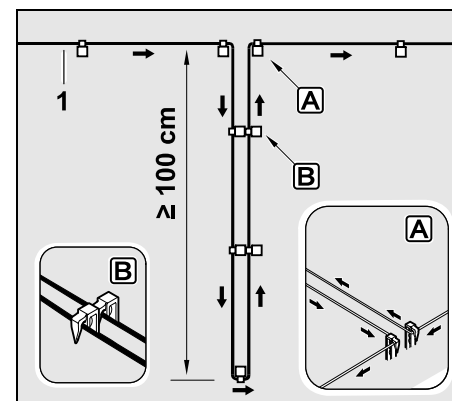
i Če je ena za drugo nameščenih več pasaž, je treba na vsako tako površino za košnjo namestiti iskalne zanke.

Namestitev iskalne zanke:



Iskalnih zank ne smete namestiti v bližino vogalov.

Najmanjša razdalja do kotov: **2 m**



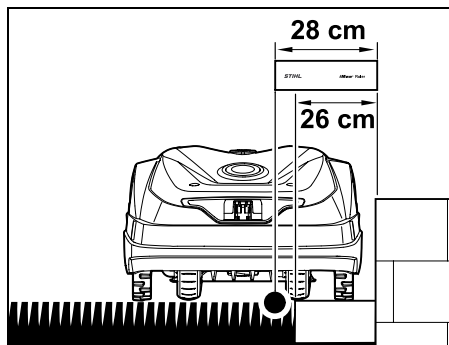
Iskalno zanko namestite v travnato površino, kot je prikazano na sliki. Omejitvena žica (1) mora biti na robu **A** pritrjena v tla z dvema pritrditvenima žebeljema in ne sme biti prekržana. Najmanjša dolžina: **100 cm**
Položitev žice od žeblja do žeblja **B**

- Iskalno zanko pritrдите na tla z zadostnim številom pritrditvenih žebeljev.

12.13 Natančno košenje robov

- i** Vzdlž visokih ovir do 26 cm nastane široka proga z nepokošeno travo. Po potrebi lahko okoli visokih ovir položite obrobne tlakovce.

Najmanjša širina obrobnih tlakovcev:



Omejitveno žico položite z razdaljo 28 cm od ovire. Za v celoti pokošen travni rob morajo biti obrobni tlakovci široki najmanj 26 cm. Če položite širše obrobne tlakovce, je travni rob obdelan še natančneje.

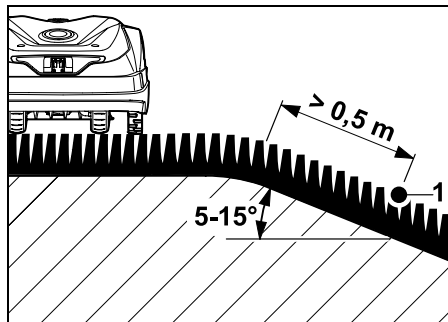
12.14 Padajoč teren vzdolž omejitvene žice

- i** **Napetek:** Za robustno namestitvev priporočamo, da položite omejitveno žico na terenu z naklonom največ 10° (17 %). Žico lahko položite do naklona 15° (27 %), vendar lahko to opazno poveča porabo in prilagajanje položitve žice. Naklone morate obvezno označiti na skicah vrta.

Da lahko robotska kosilnica padajoče območje površine za košnjo (naklon do 15°) kosi samodejno in brezhibno, mora biti omejitvena žica na naklonu nameščena z najmanjšo razdaljo do roba terena.

Pri vodnih površinah in mestih padca, kot so robovi in stopnice, upoštevajte razdaljo najmanj 100 cm.

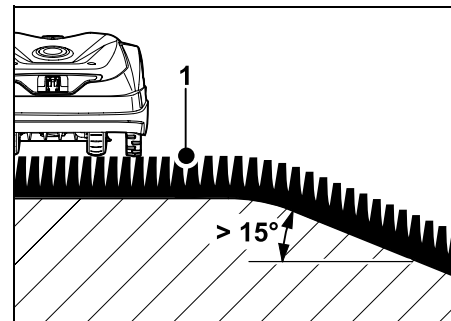
Padajoče območje z naklonom 5° - 15°:



Če je na površini za košnjo padajoče območje z naklonom 5° - 15°, lahko omejitveno žico položite pod robom terena na padajoči površini, kot je prikazano na sliki. Za brezhibno delovanje robotske

kosilnice morate upoštevati najmanjšo razdaljo (0,5 m) od roba terena do omejitvene žice.

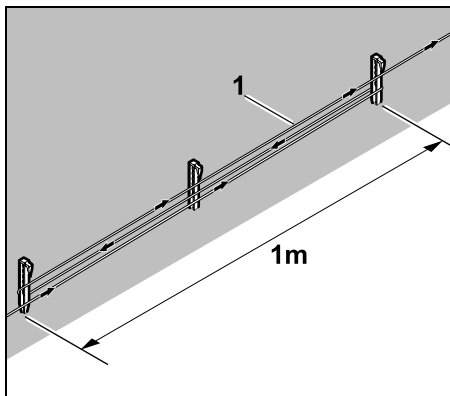
Padajoče območje z naklonom > 15°:



Če je na površini za košnjo padajoče območje z naklonom > 15°, kjer bi bilo treba položiti omejitveno žico, priporočamo, da omejitveno žico (1) položite na ravni površini nad robom terena, kot je prikazano na sliki. Rob terena in padajoče območje se ne kosita.

12.15 Priprava rezerve žice

Rezerve žice, ki so pripravljene v rednih razmikih, olajšajo potrebne popravke, če želite naknadno spremeniti položaj polnilne postaje ali potek omejitvene žice. Rezerve žice naj bodo pripravljene predvsem blizu težjih prehodov.

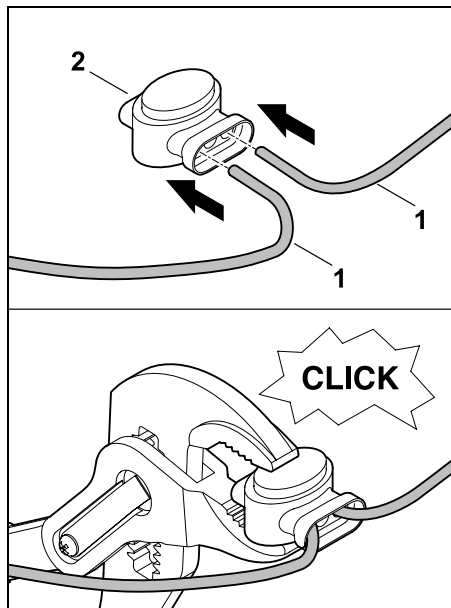


Omejitveno žico (1) položite v dolžini pribl. 1 m med 2 pritrditvenima žebljema, kot je prikazano. Rezervo žice v sredini pritrdite na tla s pritrditvenim žebljem.

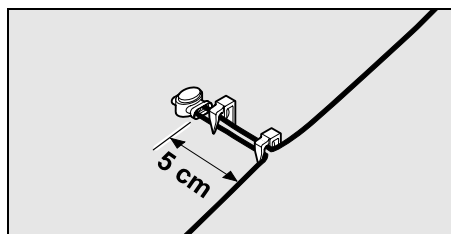
12.16 Uporaba spojnikov kabla

Za podaljševanje omejitvene žice ali povezovanje nepovezanih koncev žice lahko uporabljate izključno dobavljene spojnik kabla, napolnjene z gelom, ki so bili dobavljeni kot dodatna oprema. Preprečujejo predčasno obrabo (npr. korozijo koncev žice) in zagotavljajo optimalno povezavo.

Na skici površine za košnjo si zabeležite položaje spojnikov kabla. (⇒ 12.2)



Proste, neizolirane konce žice (1) do konca zataknite v spojnik kabla (2). Spojnik kabla stisnite z ustreznimi kleščami – pazite, da se ustrezno zaskoči.



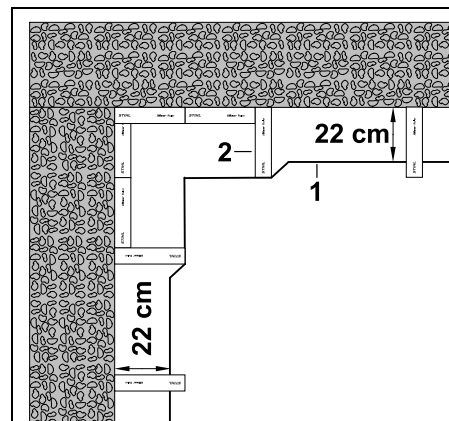
Za zaščito proti izvleku kabla omejitveno žico pritrdite na tla z dvema pritrditvenima žebljema, kot je prikazano.

12.17 Majhne razdalje do roba

Na ravni poti (ne v kotih) lahko zmanjšate razdaljo žice do visoke ovire na **22 cm**. Zaradi tega je pokošena površina večja. Pri vožnji po robu (⇒ 9.12), (⇒ 11.13) pazite na zadostno razdaljo (najmanj 5 cm) med robotsko kosilnico in ovirami. Po potrebi povečajte razdaljo med žico in oviro.

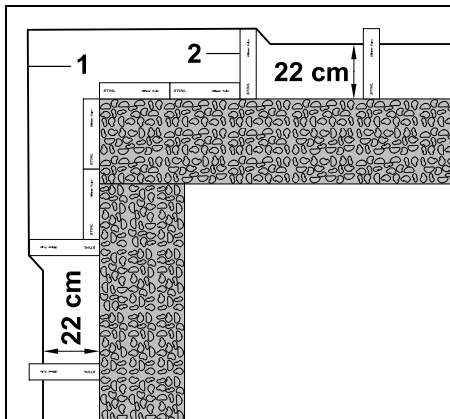
i Majhne razdalje do robov morate obvezno označiti na skici vrta. (⇒ 12.2)

Majhne razdalje do roba na notranjem vogalu:



Omejitveno žico (1) položite na notranjem vogalu, kot je prikazano. Uporabite iMOW® Ruler (2).

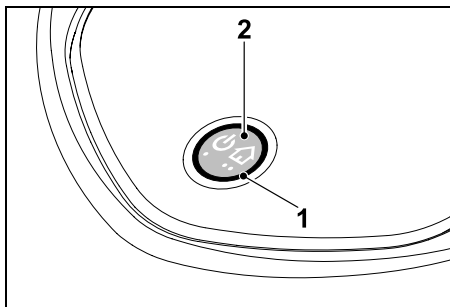
Majhne razdalje do roba na zunanjem vogalu:



Omejitveno žico (1) položite na zunanjem vogalu, kot je prikazano. Uporabite iMOW® Ruler (2).

13. Polnilna postaja

13.1 Upravljalni elementi polnilne postaje



Obročasta rdeča lučka LED (1) obvešča o stanju polnilne postaje in signala žice.

Funkcijski tipki (2):

- Vkllop in izklop polnilne postaje
- Aktiviraj povratek
- Aktiviraj iskanje preloma žice

Lučka LED ne sveti:

- Polnilna postaja in signal žice sta izklopljena.

Lučka LED neprekinjeno sveti:

- Polnilna postaja in signal žice sta vklopljena.

- Robotska kosilnica ni priključena.

Lučka LED utripa počasi (2 sekundi vkl. – hitro izkl.):

- Robotska kosilnica je priključena, baterija se po potrebi polni.
- Polnilna postaja in signal žice sta vklopljena.

Lučka LED utripa hitro:

- Omejitvena žica je prekinjena – prekinitev žice ali žica ni pravilno priključena na polnilno postajo. (⇒ 16.6)

Lučka LED sveti 3 sekunde, nato pa sledi 1 sekunda premora:

- Povratek je bil aktiviran.

Lučka LED 3-krat utripne kratko, 3-krat dolgo, 3-krat kratko, nato pa sledi 5 sekund premora (signal SOS):

- Napaka v polnilni postaji.

Vkllop in izklop polnilne postaje:

V avtomatskem načinu se polnilna postaja samodejno vklaplja in izklaplja.



Če robotska kosilnica ni priključena, s **kratkim pritiskom tipke** aktivirate polnilno postajo. Signal žice ostane aktiven 48 ur, če se robotska kosilnica prej ne priključi.

Z **2-sekundnim** pritiskom tipke polnilno postajo izklopite.

Aktivacija povratka:

Med postopkom košnje v 2 sekundah 2-krat na hitro pritisnite tipko.

Ko robotska kosilnica konča trenutno košnjo, poišče omejitveno žico in se vrne nazaj do polnilne postaje za polnjenje baterije. V trenutnem aktivnem času postopki košnje ne potekajo več.



Povratek ostane aktiven, dokler je robotska kosilnica priključena. Če znova 2-krat pritisnete tipko na polnilni postaji, zaključite tudi povratek.



14. Navodila za košnjo

14.1 Splošno

Robotska kosilnica je zasnovana za samodejno obdelavo travnatih površin. Trava je tako z nenehno obdelavo vzdrževana na kratko. Tako boste imeli lepo in gosto trato.

Površine za košnjo, ki jih prej niste kosili z običajno kosilnico, bodo dobro obdelane šele po nekaj postopkih košnje. Predvsem pri malo višji travi tako šele po nekaj postopkih košnje nastane čist videz pokošene površine.

V vročem in suhem podnebnju pustite, da trava zraste nekoliko višje, sicer bo sonce trato zažgalo in ne bo videti lepa.

Z ostrim nožem je videz pokošene površine lepši kot s topim, zato ga redno menjajte.

14.2 Mulčenje

Robotska kosilnica je kosilnica z možnostjo mulčenja.

Pri mulčenju se stebila trave po rezanju nadalje zmeljejo v ohišju kosilne naprave. Nato padejo nazaj v rušo, kjer se razkrajajo.

Zmleti ostanki obrezovanja tlom vračajo organske hranilne snovi in tako služijo kot naravno gnojilo. Potreba po gnojilu se tako močno zmanjša.

14.3 Časi aktivnosti

Kadar je izbran »Standarden« načrt za košnjo, robotska kosilnica kosi med celotnim časom aktivnosti in košnjo prekine le med polnjenjem.

Kadar je izbran »Dinamičen« načrt za košnjo, lahko robotska kosilnica med časi aktivnosti kadar koli zapusti polnilno postajo in kosi trato. V tem času se zato izvajajo **postopki košnje, polnjenja in mirovanja**. Robotska kosilnica samodejno porazdeli potrebne postopke košnje in polnjenja v razpoložljiva časovna okna.

Pri namestitvi se časi aktivnosti samodejno razdelijo prek celega tedna. časovne rezerve se prav tako upoštevajo – tako je zagotovljena optimalna nega trave, tudi ko se ne morejo opravljati posamezni postopki košnje (npr. zaradi dežja).



Med časi aktivnosti naj se druge osebe ne zadržujejo v območju nevarnosti. Čase aktivnosti je treba ustrezno prilagoditi.

Poleg tega upoštevajte lokalna določila za uporabo robotske kosilnice ter napotke v poglavju »Za vašo varnost« (⇒ 6.1) in v meniju »Načrt za koš.« spremenite čase aktivnosti. (⇒ 11.7)

Pri pristojnih oblasteh se pozanimajte predvsem, kdaj lahko uporabljate napravo podnevi in ponoči.

14.4 Trajanje košnje

Trajanje košnje navaja število tedenskih ur za košnjo trave. Lahko ga skrajšate ali podaljšate. (⇒ 11.7)

Trajanje košnje je enako času, v katerem robotska kosilnica kosi travo. Časi za polnjenje baterije niso zajeti v trajanju košnje.

Pri prvi namestitvi robotska kosilnica samodejno izračuna trajanje košnje iz navedene velikosti površine za košnjo. Ta orientacijska vrednost velja za normalno in suho trato.

Zmogljivost glede na površino:

Za 100 m² robotska kosilnica povprečno potrebuje 100 min.

14.5 Domače območje

Robotska kosilnica prepozna lokacijo s pomočjo vgrajenega sprejemnika GPS. Pri vsaki vožnji po robu za preverjanje pravilne položitve žice (⇒ 9.12) in pri

priučitvi začetnih točk (⇒ 11.14) robotska kosilnica shrani koordinate skrajne zahodne, vzhodne, južne in severne točke.

Ta površina je določena kot domače območje, kjer je uporaba robotske kosilnice dovoljena. Pri vsaki ponovitvi vožnje po robu se koordinate posodobijo.

Pri aktivirani **GPS-zaščiti** je lastnik naprave obveščen, kadar je naprava zagnana zunaj domačega območja. Poleg tega je treba na zaslonu robotske kosilnice vnesti kodo PIN.

15. Začetek uporabe naprave

15.1 Priprava



Pri **prvi namestitvi** vam je na voljo namestitveni vodnik. (⇒ 9.)



Robotsko kosilnico polnite in upravljajte pri temperaturi okolice med +5 in +40 °C.

- Namestite polnilno postajo (⇒ 9.8)
- Položite omejitveno žico (⇒ 9.9) in jo priključite (⇒ 9.10)
- Odstranite tujke (npr. igrače, orodje) s površine za košnjo
- Napolnite baterijo (⇒ 15.7)
- Nastavite datum in čas (⇒ 11.10)
- Preverite načrt za košnjo in ga po potrebi prilagodite – zagotovite predvsem, da se druge osebe med časi aktivnosti ne zadržujejo v območju nevarnosti. (⇒ 11.7)

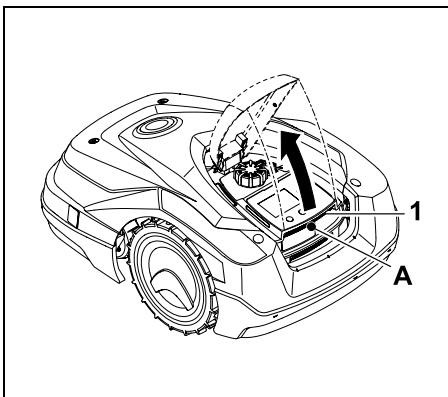
i Zelo visoko travo pred uporabo robotske kosilnice na kratko pokosite z običajno kosilnico (npr. po daljši prekinitvi).

15.2 Loputa

Robotska kosilnica je opremljena z loputo, ki ščiti zaslon pred vremenskimi vplivi in nepooblaščenim upravljanjem. Če se loputa med uporabo robotske kosilnice odpre, se postopek zaustavi in nož za košnjo in robotska kosilnica se ustavita.

Odpiranje lopute:

i Med delovanjem robotske kosilnice morate zaradi varnosti pred odpiranjem lopute najprej pritisniti tipko Stop.



Loputo (1) primite za točko oprijema (A) in jo z rahlim sunkom sprostite navzgor. Loputo do konca odprite.

i Odprto loputo lahko z zgornje strani snamete z naprave. Tovrstna zasnova je namenjena varnosti: Tako je zagotovljeno, da se naprava ne dvigne in nosi z držanjem lopute.

Zapiranje lopute:

Loputo previdno poklopite ter pustite, da se zaskoči.

i Robotsko kosilnico lahko zaženete le pri popolnoma zaprti loputi.

15.3 Prilagoditev programiranja

Trenutno programiranje je razvidno v **načrtu za košnjo** oz. v **aplikaciji iMOW®**. (⇒ 11.7)

Načrt za košnjo se izračuna iz velikosti površine za košnjo pri namestitvi oz. izdelavi novega načrta za košnjo.

Čase aktivnosti in Trajanje košnje lahko individualno spremenite. Pri načrtu za košnjo **Standarden** robotska kosilnica kosi in se polni natanko znotraj časov aktivnost, pri načrtu za košnjo **Dinamičen** pa se potrebni postopki košnje samodejno razdelijo na možne čase aktivnosti. Po potrebi med aktivnim časom poteka tudi več postopkov košnje in polnjenja. Rob površine za košnjo se po želji kosi samodejno v rednih časovnih presledkih. (⇒ 11.13)

Nastavite lahko do tri različne čase aktivnosti na dan. (⇒ 14.3)

Če želite, da robotska kosilnica prevozi določena območja površine za košnjo, morate definirati določene začetne točke. (⇒ 11.14)

i Kadar je izbran načrt za košnjo **Dinamičen**, v določenih okoliščinah (npr. lepo vreme ali večja časovna okna) za optimalno nego trave niso izrabljeni vsi časi aktivnosti.

Sprememba **časov aktivnosti**: (⇒ 11.7)

- Dodatni časi aktivnosti za nadaljnje postopke košnje
- Prilagoditev časovnih oken, da se izognete npr. jutranji ali nočni košnji.
- Izpustitev posameznih časov aktivnosti, če boste površino za košnjo npr. uporabili za zabavo.

Podaljšanje **trajanja košnje**: (⇒ 11.7)

- Obstajajo območja, ki niso dovolj dobro pokošena, ker je npr. površina za košnjo zelo ovinkasta.
- Intenzivna rast trave v obdobju rasti
- Posebej gosta trava

Zmanjšanje **trajanja košnje**: (⇒ 11.7)

- Manjša rast trave zaradi vročine, mraza ali suše

Ustvarjanje **novega načrta za košnjo**: (⇒ 11.7)

- Velikost površine za košnjo je bila spremenjena.

Nova namestitev: (⇒ 11.13)

- Določitev novega mesta polnilne postaje
- Prvi zagon na novi površini za košnjo

15.4 Košnja v avtomatskem načinu

- Vkllop avtomatskega načina: Pri vklopljenem avtomatskem načinu je na zaslonu poleg simbola baterije prikazan simbol avtomatskega načina. (⇒ 11.7)



- **Začetek** postopkov košnje:
Pri načrtu za košnjo **Standarden** robotska kosilnica spelje ob začetku vsakega časa aktivnosti in kosi trato. Pri načrtu za košnjo **Dinamičen** se postopki košnje samodejno razdelijo na razpoložljive čase aktivnosti. (⇒ 14.3)
- **Zaključek** postopkov košnje:
Ko je baterija izpraznjena, se robotska kosilnica samodejno pelje do polnilne postaje. (⇒ 15.6)
S **tipko STOP** ali iz menija »**Povratek**« lahko kadar koli ročno zaključite aktivni postopek košnje. (⇒ 5.1)
Z aktivacijo **povratka** na polnilni postaji lahko prav tako takoj zaključite aktivni postopek košnje. (⇒ 13.1)
Postopek košnje lahko zaključite tudi z aplikacijo – robotsko kosilnico pošljite v polnilno postajo. (⇒ 10.)

i Površine za košnjo, ki jih robotska kosilnica doseže prek **pasaze**, se obdelujejo samo, če so v tej površini definirane začetne točke.

15.5 Košnja, neodvisna od časov aktivnosti

- Priključeno robotsko kosilnico aktivirajte s pritiskom tipke. S tem se vklopi tudi polnilna postaja.

Površine za košnjo s polnilno postajo:

- Takojšnja košnja:
Prikličite ukaz **Začni košnjo** (⇒ 11.5). Postopek košnje se začne takoj in traja do izbranega časa. Izberete lahko začetno točko, če je ta na voljo.
- Začetek košnje z aplikacijo. (⇒ 10.)
Postopek košnje se začne ob izbranem času začetka in traja do izbranega časa zaključka. Izberete lahko začetno točko, če je ta na voljo.

- Ročno zaključevanje košnje:
S **tipko STOP** ali iz menija »**Povratek**« (⇒ 11.6) lahko kadar koli zaključite aktivni postopek košnje. (⇒ 5.1)
Aktivacija **povratka** na polnilni postaji prav tako takoj zaključí aktivni postopek košnje. (⇒ 13.1)
Postopek košnje lahko zaključite tudi z aplikacijo – robotsko kosilnico pošljite v polnilno postajo. (⇒ 10.)

i Po potrebi robotska kosilnica vmes polni baterijo in nato nadaljuje postopek košnje do izbranega časa zaključka.

Stranske površine:

- Robotsko kosilnico v polnilni postaji stoje aktivirajte. S tem se aktivira tudi polnilna postaja.
 - Robotsko kosilnico nesite na stransko površino.
 - Aktivirajte stransko površino. (⇒ 12.10)
 - Takojšnja košnja:
Prikličite ukaz **Začni košnjo** (⇒ 11.5). Postopek košnje se začne takoj in traja do izbranega časa.
 - Zaključek košnje:
Ko je dosežen izbrani čas zaključka, se robotska kosilnica pelje do omejitvene žice in se ustavi. Napravo za polnjenje baterije prinesite do polnilne postaje in jo priklopite ter potrdite prikazano sporočilo. (⇒ 24.)
S **tipko STOP** lahko kadar koli ročno zaključite aktivni postopek košnje. (⇒ 5.1)
- i** Če je baterija pred izbranim časom zaključka izpraznjena, se postopek košnje ustrezno skrajša.

15.6 Robotsko kosilnico priklopite na polnilno postajo

Priklop v avtomatskem načinu:

Ko je baterija izpraznjena oz. se aktivni čas zaključí, se robotska kosilnica samodejno pelje v polnilno postajo.

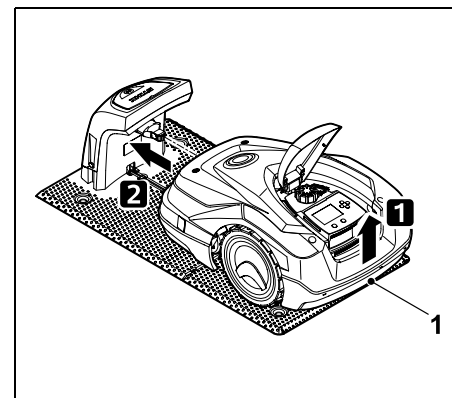
Vsiljen priklop:

- Po potrebi vklopite polnilno postajo (⇒ 13.1)
- Aktivirajte povratek. (⇒ 11.6)
Med postopkom košnje lahko pritisnete tudi **Povratek** na polnilni postaji.
- Robotsko kosilnico lahko v polnilno postajo pošljete tudi z aplikacijo. (⇒ 10.)

i V tekočem aktivnem času po priklopu na polnilno postajo postopki košnje ne potekajo več.

Ročni priklop:

- Robotsko kosilnico ročno potisnite v polnilno postajo.



Robotsko kosilnico nekoliko dvignite za nosilni ročaj (1), da razbremenite pogonska kolesa. Napravo, oprto na sprednja kolesa, potisnite v polnilno postajo.

15.7 Polnjenje baterije



Baterijo polnite izključno s polnilno postajo.

Baterije nikoli ne razstavljajte in je ne polnite z zunanjim polnilnikom.

Samodejno polnjenje:

Pri **košnji** polnjenje poteka samodejno po vsakem zaključku postopka košnje, ko se robotska kosilnica priklopi na polnilno postajo.

Ročni zagon postopka polnjenja:

- Po uporabi **v stranskih površinah** robotsko kosilnico prinesite na površino za košnjo in jo priklopite na polnilno postajo. (⇒ 15.6)
- Po **prekinitvi postopka košnje** priklopite robotsko kosilnico. (⇒ 15.6)
- Po potrebi s pritiskom tipke zaključite stanje pripravljenosti robotske kosilnice.
Postopek polnjenja se samodejno začne.

Postopek polnjenja:

Med postopkom polnjenja je v **prikazu stanja** prikazano besedilo »Baterija se polni«.



V preostalih menijih se v območju z informacijami na zaslonu namesto simbola baterije pojavi simbol omrežnega vtikača.



Dolžina postopka polnjenja je različna in se nastavi samodejno glede na naslednjo uporabo.



Pri težavah s polnjenjem je prikazano ustrezno sporočilo na zaslonu. (⇒ 24.)

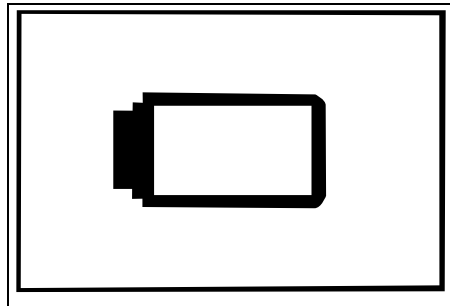
Baterija se polni šele, ko se napetost spusti pod določeno raven.

Napolnjenost:

V **prikazu stanja** lahko neposredno razberete trenutno napolnjenost, če je izbran ustrezen prikaz. (⇒ 11.12)



V preostalih menijih **simbol baterije** v območju z informacijami na zaslonu prikazuje napolnjenost. (⇒ 11.3)



Če je napolnjenost baterije premajhna, se prikaže ustrezni simbol baterije. V tem primeru robotsko kosilnico priključite na polnilno postajo, da se napolni.

16. Vzdrževanje



Nevarnost poškodb!

Pred vzdrževalnimi deli ali čiščenjem naprave skrbno preberite in natančno upoštevajte vse varnostne napotke v poglavju »Za vašo varnost« (⇒ 6.), še zlasti podpoglavje »Vzdrževanje in popravila« (⇒ 6.9).

Pred vzdrževanjem ali čiščenjem naprave aktivirajte blokado naprave. (⇒ 5.2)



Pred vzdrževalnimi deli na polnilni postaji izvilcite omrežni vtikač napajalnika.



Pri vseh vzdrževalnih delih nosite ustrezne zaščitne rokavice, zlasti pri delih z nožem.



16.1 Vzdrževalni načrt

Vzdrževalni intervali so med drugim odvisni tudi od obratovalnih ur. Števec »ure košnje« lahko priključete v meniju »Več – Informacije«. (⇒ 11.18)

Držati se morate navedenih vzdrževalnih intervalov.

Vzdrževanje v dneh s časi aktivnosti:

- Vizualno preverite splošno stanje naprave in polnilne postaje.
- Nadzorujte prikaz na zaslonu – preverite trenutni čas in začetek naslednje košnje.
- Preverite površino za košnjo in po potrebi odstranite tujke ipd.

- Preverite, če je baterija napolnjena. (⇒ 15.7)

Tedenska vzdrževalna dela:

- Očistite napravo. (⇒ 16.2)
- Vidno preverite možne poškodbe in obrabo noža, pritrditve noža in kosilno napravo (zareze, razpoke, mest prekinitve itd.). (⇒ 16.3)

Vsakih 200 ur:

- Zamenjajte nož. (⇒ 16.3)

Letna vzdrževalna dela:

- STIHL priporoča letni pregled v zimskih mesecih pri specializiranem trgovcu za STIHL. Pri tem je potrebno predvsem vzdrževanje baterije, elektronike in programske opreme.



Da bo lahko specializirani trgovec ustrezno opravil vsa vzdrževalna dela, nastavite varnostno stopnjo na »brez« ali trgovcu sporočite uporabljeno kodo PIN.

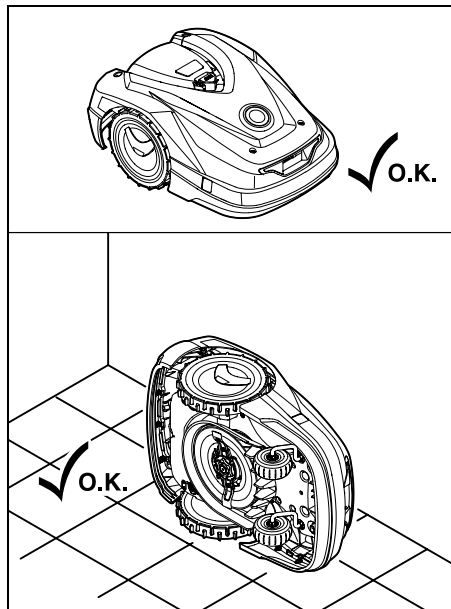
16.2 Čiščenje naprave

Skrbna nega ščiti napravo pred okvarami in podaljšuje njeno življenjsko dobo.

Položaj za čiščenje in vzdrževanje:



Pred čiščenjem se prepričajte, da je vrtljni gumb pravilno nameščen, sicer lahko v napravo vdre voda.



Za čiščenje **zgornjega dela naprave** (pokrov, loputa) napravo postavite na ravno, trdno in vodoravno podlago. Za čiščenje **spodnjega dela naprave** (nož za košnjo, kosilna naprava) robotsko kosilnico nagnite na levo ali desno stran naprave in jo naslonite ob steno, kot je prikazano.

- Umazanijo odstranite s ščetko ali krpo. Očistite predvsem nož za košnjo, napajalne kontakte robotske kosilnice in polnilno postajo.
- Prilepljene ostanke trave v ohišju in kosilni napravi najprej odstranite z leseno palico.
- Po potrebi uporabite posebno čistilo (npr. posebno čistilo STIHL).
- Redno morate demontirati sojemalno ploščo in odstraniti ostanke trave. (⇒ 16.6)



Pri vlažnem vremenu morate sojemalno ploščo čistiti pogosteje. Prilepljena umazanija med sojemalno ploščo in ohišjem kosilne naprave tvori trenje ter povzroča povečano porabo energije.

16.3 Preverjanje mej obrabe noža za košnjo

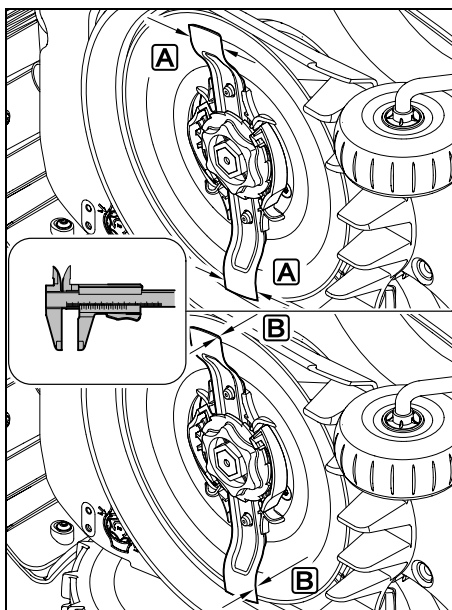


Nevarnost telesnih poškodb!

Obrabljen nož za košnjo se lahko odloži in povzroči hude telesne poškodbe. Zato obvezno upoštevajte navodila za vzdrževanje noža. Obraba nožev za košnjo je različna, saj je odvisna od mesta uporabe in trajanja košnje. Če napravo uporabljate na peščeni podlagi oz. jo pogosto uporabljate v suhih pogojih, so noži za košnjo močno obremenjeni in se nadpovprečno hitro obrabijo.

Nož za košnjo zamenjajte vsaj na vsakih 200 obratovalnih ur – ne brusite ga. (⇒ 16.5)

- Aktivirajte blokado naprave. (⇒ 5.2)
- Robotsko kosilnico nagnite na stran in varno naslonite ob stabilno steno. Skrbno očistite nož za košnjo in kosilno napravo. (⇒ 16.2)



Širino noža **A** in debelino noža **B** preverite s kljunastim merilom.

Če je nož za košnjo na določenem mestu ožji od **25 mm** ali tanjši od **1,3 mm**, ga morate zamenjati.

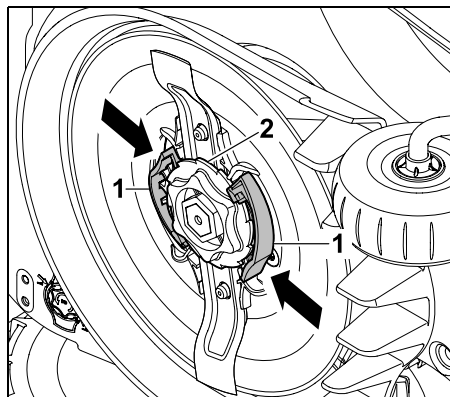
16.4 Odstranitev in vgradnja noža za košnjo

- Aktivirajte blokado naprave (⇒ 5.2) in si nadenite zaščitne rokavice.



- Robotsko kosilnico nagnite na stran in varno naslonite ob stabilno steno. Skrbno očistite nož za košnjo in kosilno napravo. (⇒ 16.2)

Demontaža noža za košnjo:



Obe spojki (1) na sojemalni plošči pritisnite z eno roko in ju zadržite. Z drugo roko odvijte pritrditveno matico (2). Snemite nož za košnjo skupaj s pritrditveno matico.



Vgradnja noža za košnjo:

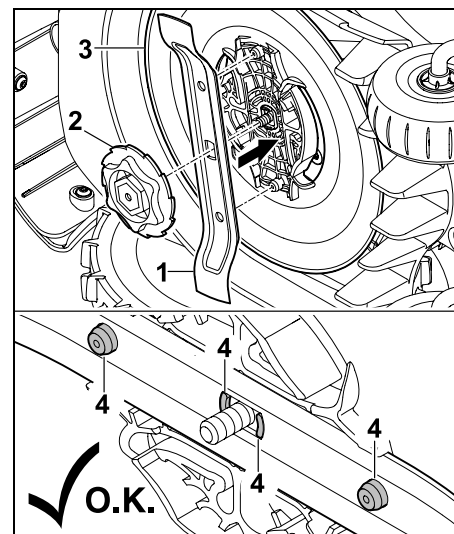


Nevarnost telesnih poškodb!

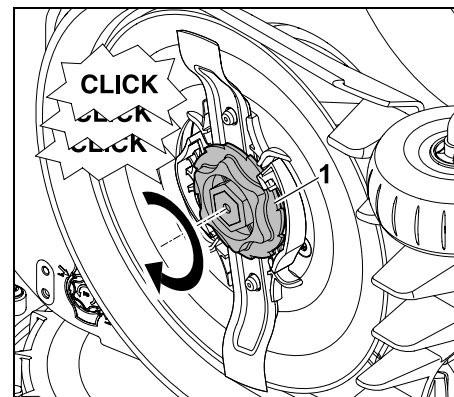
Pred vgradnjo se prepričajte, da nož ni poškodovan. Nož morate zamenjati, če so na njem vdrtine ali razpoke ali če je na enem mestu ožji od 25 mm ali tanjši od 1,3 mm. (⇒ 16.3)

Sojemalno ploščo in pritrditveno matico morate prav tako zamenjati, če sta poškodovani (npr. prelomljeni, obrabljeni). Predvsem pritrditvena matica se mora lepo zaskočiti v sojemalno ploščo.

- Pred namestitvijo očistite nož, sojemalno ploščo in pritrditveno matico.



Nož za košnjo (1) in pritrditveno matico (2) namestite na sojemalno ploščo (3), kot je prikazano. Pazite na pravilno lego nastavkov (4) v nožu.



Pritrditveno matico (1) privijte do konca. Med privijanjem se zasliši več klikov. Preverite varno namestitev noža za košnjo tako, da ga previdno stresete.

- Po vgradnji novega noža za košnjo potrdite zamenjavo noža v meniju »Servis«. (⇒ 11.17)

16.5 Brušenje noža za košnjo

Noža za košnjo **nikoli** ne brusite.

STIHL priporoča, da top nož **vedno** zamenjate z novim.

- i** Samo nov nož za košnjo je uravnotežen z zadostno natančnostjo ter zagotavlja pravilno delovanje naprave in nižjo raven emisij hrupa.

16.6 Vgradnja in odstranjanje sojemalne plošče

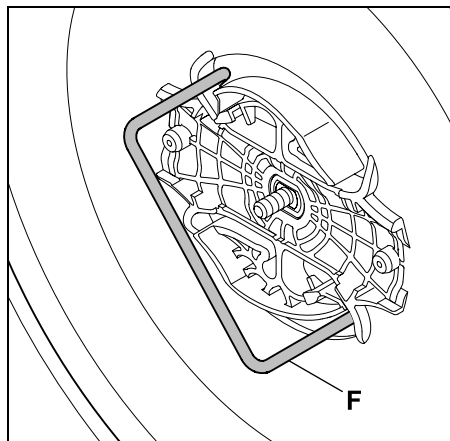
- i** Za čiščenje kosilne naprave lahko sojemalno ploščo odstranite.

- Aktivirajte blokado naprave (⇒ 5.2) in si nadenite zaščitne rokavice.
- Robotsko kosilnico nagnite na stran in varno naslonite ob stabilno steno. Skrbno očistite nož za košnjo in kosilno napravo. (⇒ 16.2)

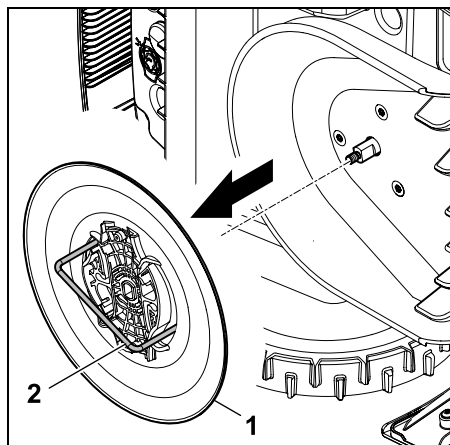


Odstranjanje sojemalne plošče:

- Odstranite nož. (⇒ 16.4)

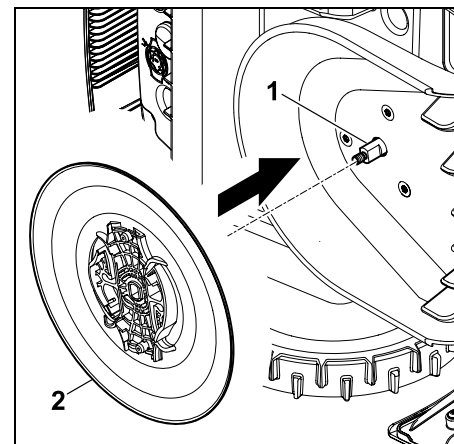


Vstavite snemalnik (F) in ga obrnite do konca v nasprotni smeri urnega kazalca.



Napravo podprite z eno roko. Snemite sojemalno ploščo (1), tako da povlečete za snemalnik (2).

Vgradnja sojemalne plošče:



Temeljito očistite gred noža (1) in nastavite na sojemalno ploščo (2). Sojemalno ploščo potisnite do konca na gred noža.

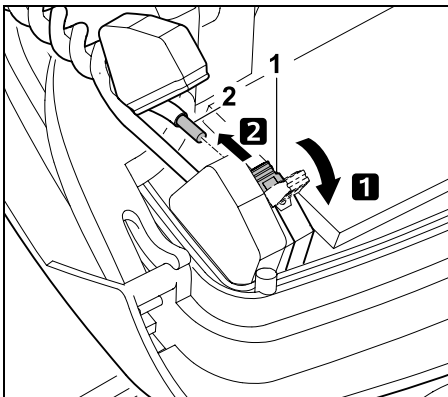
- Namestite nož. (⇒ 16.4)

16.7 Iskanje prek. žice

- i** Pri prekinitvi žice rdeča lučka LED na polnilni postaji hitro utripa. (⇒ 13.1) Na zaslonu robotske kosilnice je prikazano ustrezno sporočilo.

Če prekinitve žice ne morete najti na opisan način, se obrnite na specializiranega trgovca.

- Pred iskanjem prekinitve žice morate **1-krat** pritisniti tipko na polnilni postaji (lučka LED še vedno hitro utripa).
- Snemite pokrov polnilne postaje in odprite ploščo. (⇒ 9.2)

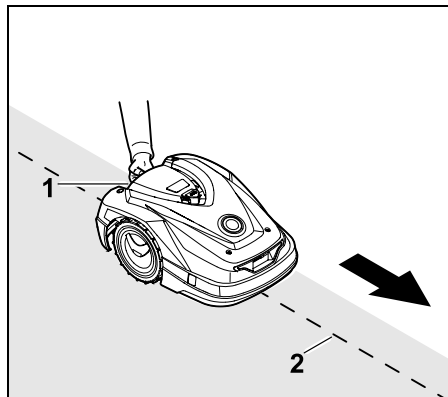


- 1** Odprite levo vpenjalno ročico (1).
- 2** Konec žice (2) izvlecite iz spojnega bloka in znova zaprite vpenjalno ročico.

- Zaprite ploščo in namestite pokrov polnilne postaje. (⇒ 9.2)

V nadaljevanju je opisano iskanje prekinitve žice v desno, kar pomeni, da omejitvena žica izhaja iz polnilne postaje v desno. Po potrebi lahko iskanje izvedete v levo, vendar je treba v tem primeru desni konec žice odstraniti iz povezovalnega bloka.

- V meniju »Več – Servis« izberite vnos »Iskanje prek. žice« in potrdite s tipko OK. (⇒ 11.17)



Z robotsko kosilnico sledite robu površine za košnjo **v smeri urnega kazalca**, pri čemer začnete pri polnilni postaji. Napravo poleg tega nekoliko dvignite za zadnji nosilni ročaj (1), da razbremenite pogonska kolesa. Z robotsko kosilnico, oprto na sprednja kolesa, sledite omejitveni žici (2). Pri tem pazite, da omejitvena žica (2) poteka pod senzorji žice. Senzorji žice so zaščiteni nameščeni levo in desno v sprednjem delu robotske kosilnice.

Pri iskanju prekinitve žice je na zaslonu prikazana **moč signala**; senzorji žice so optimalno nameščeni nad omejitveno žico, ko je vrednost najvišja.

Ko senzorji žice signal žice sprejemajo pravilno, se na zaslonu pojavi simbol **Signal žice v redu**.



Na področju prekinitve žice se moč signala zniža in na zaslonu je prikazan simbol **Preverite signal žice**.



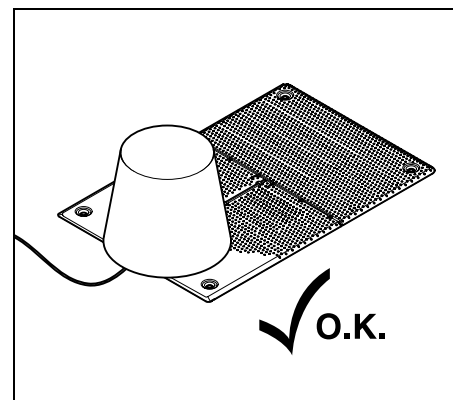
- Mesto prekinitve premostite s pomočjo spojnika kabla (⇒ 12.16), po potrebi na novo položite omejitveno žico na območju mesta prekinitve.

- Znova priključite levi konec žice. (⇒ 9.10)
- Če je bila prekinitve žice uspešno odpravljena, zasveti rdeča lučka LED. (⇒ 13.1)

16.8 Shranjevanje in prezimovanje

Pri **prekinitvi obratovanja** robotske kosilnice (npr. čez zimo, vmesno skladiščenje) upoštevajte naslednja navodila:

- Napolnite baterijo. (⇒ 15.7)
- Nastavite robotsko kosilnico na zimski počitek. (⇒ 11.17)
- Vtič napajalnika odklopite iz električnega omrežja.
- Skrbno očistite vse zunanje dele robotske kosilnice in polnilne postaje.



Polnilno postajo pokrijte z ustreznim vedrom in ga pritrdite.

- Robotsko kosilnico shranjujte v suhem in zaprtem prostoru s čim manj prahu, tako da stoji na kolesih. Zagotovite, da bo naprava shranjena zunaj dosega otrok.

- Robotsko kosilnico shranjujte samo v brezhibnem stanju.
- Trdno privijte vse vijake, zamenjajte nečitljiva opozorila o nevarnostih in napotke na napravi, preverite celotno napravo glede obrabe ali poškodb. Obrabljene ali poškodovane dele zamenjajte.
- Morebitne motnje na napravi je treba odpraviti pred skladiščenjem.

i Nikoli ne odlagajte oz. hranite predmetov na robotski kosilnici. Temperatura v skladiščnem prostoru ne sme biti nižja od 5 °C.

Ponovni zagon robotske kosilnice po daljši prekinitvi:

i Po daljši prekinitvi morate popraviti nastavitve datuma in časa. Med zagonom se prikažejo ustrezna izbirna okna. Če se izbirna okna ne prikažejo samodejno, preverite datum in čas v meniju »Nastavitve« in ju po potrebi popravite. (⇒ 11.10)

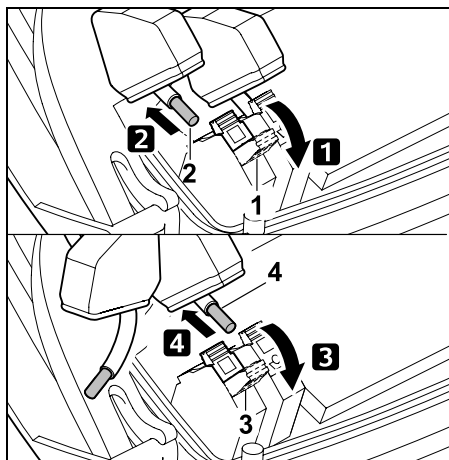
- Pripravite površino za košnjo: Odstranite tujke in zelo visoko travo na kratko pokosite z običajno kosilnico.
- Sprostite polnilno postajo in priključite napajalnik na električno omrežje.
- Napolnite baterijo. (⇒ 15.7)
- Seznanite robotsko kosilnico in polnilno postajo. (⇒ 9.11)
- Z območja roba odstranite ovire in tujke. Zaženite vožnjo po robu in preverite, ali so pasaže in zoženja prevozna. (⇒ 11.13)
- Preverite načrt za košnjo in ga po potrebi spremenite. (⇒ 11.7)

- Vključite avtomatski način. (⇒ 11.7)
- Po potrebi aktivirajte energijski način (⇒ 11.10) in vključite GPS-zaščito. (⇒ 5.9)

16.9 Odstranjevanje polnilne postaje

Pri daljši prekinitvi obratovanja robotske kosilnice (npr. čez zimo) lahko polnilno postajo tudi odstranite.

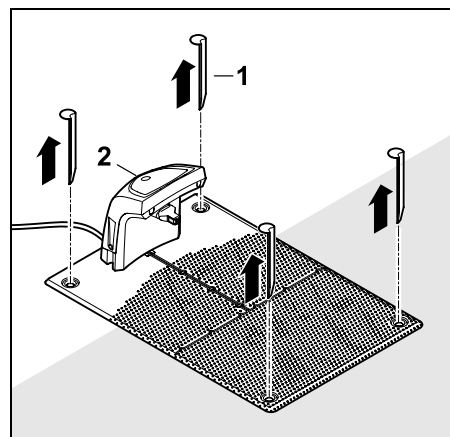
- Pripravite robotsko kosilnico na daljšo prekinitev obratovanja (⇒ 16.8)
- Ločitev vtiča napajalnika od el. omrežja
- Snemite pokrov polnilne postaje in odprite ploščo (⇒ 9.2)



- 1** Odprite desno vpenjalno ročico (1).
- 2** Desni konec žice (2) odstranite iz povezovalnega bloka. Vpenjalno ročico (1) znova zaprite.
- 3** Odprite levo vpenjalno ročico (3).
- 4** Levi konec žice (4) odstranite iz povezovalnega bloka. Vpenjalno ročico (3) znova zaprite.

- Zaprite ploščo (⇒ 9.2)

- Desni in levi konec žice ločeno izvlecite iz polnilne postaje
- Snemite pokrov polnilne postaje (⇒ 9.2)



Izvlecite kline (1), polnilno postajo (2) s priključenim napajalnikom odstranite s travnate površine, jo temeljito očistite (z vlažno krpo) in shranite.

- Robotsko kosilnico skupaj s polnilno postajo in napajalnikom shranjujte v normalnem stanju v suhem in zaprtem prostoru s čim manj prahu. Robotsko kosilnico priključite na polnilno postajo. Zagotovite, da bo naprava shranjena zunaj dosega otrok.
- Proste konce omejitvene žice zaščitite pred okoljskimi vplivi – npr. prelepčite z ustreznim izolirnim trakom.
- Pri ponovni namestitvi polnilno postajo namestite kot pri prvi namestitvi – zlasti levi in desni konec omejitvene žice priključite s strani. (⇒ 9.10)

17. Običajni nadomestni deli

Nož za košnjo:

6301 702 0101

18. Oprema

- **STIHL Kit S** za travnate površine do 500 m²
- **STIHL Kit L** za travnate površine od 2000 m² do 4000 m²
- Prireditveni žebliji **STIHL AFN 075**
- Omejitvena žica **STIHL ARB 501**:
Dolžina: 500 m
Premer: 3,4 mm
- Spojnik kabla **STIHL ADV 010**

Za napravo je na voljo dodatna oprema. Več informacij lahko dobite pri specializiranem trgovcu STIHL, v spletu (www.stihl.com) ali v katalogu STIHL.



Zaradi varnostnih razlogov lahko za napravo uporabljate samo opremo, ki jo je odobrilo podjetje STIHL.

19. Zmanjšanje obrabe in preprečevanje okvar

Pomembni napotki za vzdrževanje in negovanje za skupino izdelkov

Robotska kosilnica, z baterijskim pogonom (STIHL RMI)

Za telesne poškodbe in materialno škodo, ki je nastala zaradi neupoštevanja navodil za uporabo, še posebej glede varnosti, upravljanja in vzdrževanja, ali zaradi uporabe nedovoljenih dodatnih ali rezervnih delov, družba STIHL ne prevzema nobene odgovornosti.

Obvezno upoštevajte naslednja pomembna navodila za preprečevanje škode in čezmerne obrabe svoje naprave STIHL:

1. Obrabni deli

Nekateri deli naprav STIHL so tudi pri uporabi, ki je skladna s predpisi, podvrženi normalni obrabi ter jih je zato glede na način in čas uporabe treba pravočasno zamenjati.

To so na primer:

- Nož za košnjo
- Baterija
- Pnevmatika

2. Upoštevanje določil v teh navodilih za uporabo

Uporaba, vzdrževanje in shranjevanje naprave STIHL mora potekati tako skrbno, kot je opisano v teh navodilih za uporabo. Za vso škodo, ki nastane zaradi neupoštevanja varnostnih navodil ter navodil za uporabo in vzdrževanje, je odgovoren uporabnik.

To še zlasti velja za:

- napačno rokovanje z akumulatorsko baterijo (polnjenje, skladiščenje);
- napačno električno priključitev (napetost);
- spremembe na izdelku, ki jih podjetje STIHL ni odobrilo;
- uporabo orodja in opreme, ki sta za napravo neustrezna, neprimerna ali slabe kakovosti;
- uporabo izdelka v nasprotju s predpisi;
- uporabo izdelka na športnih ali tekmovalnih prireditvah;

- posledično škodo, nastalo zaradi nadaljnje uporabe izdelka s poškodovanimi deli.

3. Vzdrževalna dela

Redno je treba izvajati vsa v razdelku »Vzdrževanje« navedena dela.

Če uporabnik teh vzdrževalnih del ne more izvajati sam, naj jih izvede pooblaščen prodajalec.

Družba STIHL priporoča, naj vzdrževalna dela in popravila izvajajo samo pooblaščen prodajalci izdelkov STIHL.

Pooblaščen prodajalci izdelkov STIHL se redno šolajo in dobivajo tehnične informacije.

Če dela niso pravilno izvedena, lahko pride do okvar, za katere je odgovoren uporabnik.

V to skupino spadajo med drugim:

- poškodbe naprave zaradi nezadostnega ali napačnega čiščenja,
- korozijska in druga posledična škoda, nastala zaradi nepravilnega skladiščenja,
- škoda na napravi zaradi uporabe nadomestnih delov slabše kakovosti,
- škoda, ki je nastala zaradi nepravočasnega ali nezadostnega vzdrževanja oziroma zaradi vzdrževalnih del in popravil, ki niso bila opravljena v delavnicah specializiranih trgovcev.

20. Varovanje okolja

Embalaža, naprava in oprema so narejeni iz materialov, ki se lahko reciklirajo in jih je treba temu primerno odstraniti.

Ločeno, okolju prijazno odlaganje ostankov materiala spodbuja reciklažo vrednih materialov. Zato napravo po izteku življenjske dobe dostavite centru za zbiranje in predelavo surovin. Pri odstranjevanju upoštevajte podatke v poglavju »Odstranjevanje«. (⇒ 6.11)



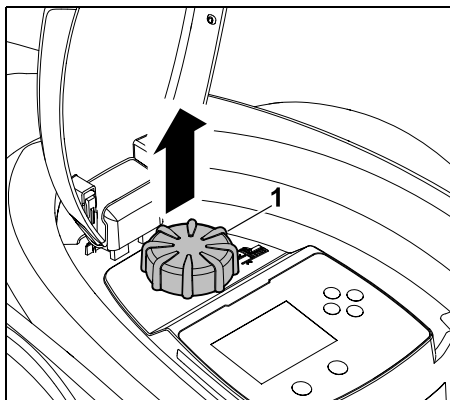
Odpadne snovi, kot so baterije, odstranjujte strokovno. Upoštevajte krajevne predpise.



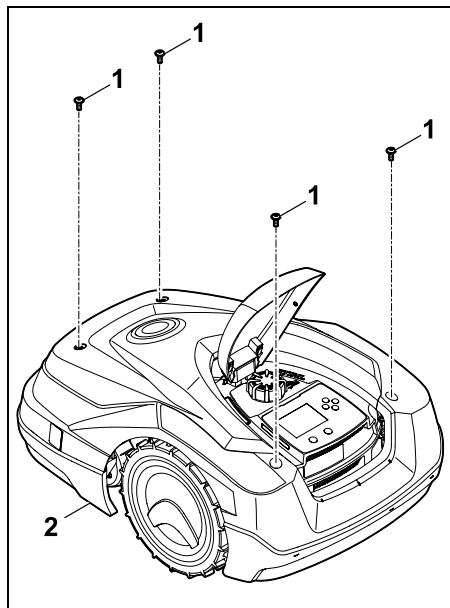
Litij-ionskih baterij ne odlagajte skupaj z gospodinjskimi odpadki, temveč jih vrnite trgovcu ali jih oddajte na zbirališču za posebne odpadke.

20.1 Odstranjevanje baterije

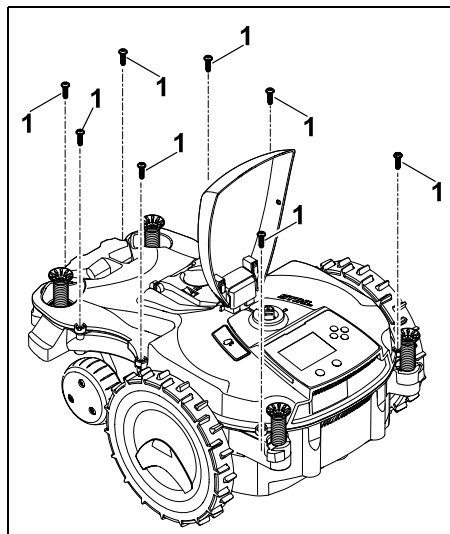
- Aktivirajte blokado naprave. (⇒ 5.2)
- Odprite loputo. (⇒ 15.2)



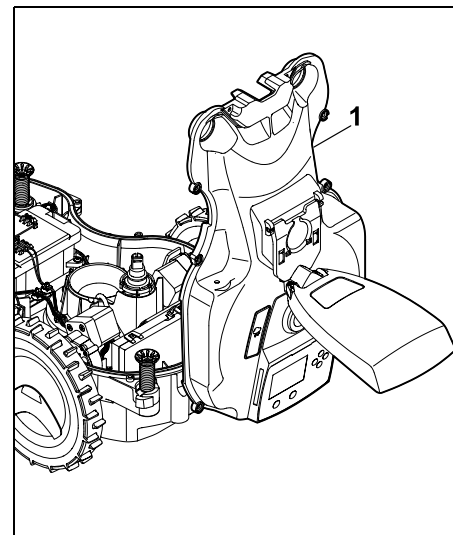
Vrtilni gumb (1) potegnite navzgor.



Odvijte vijake (1) na pokrovu (2) in jih snemite. Pokrov (2) potegnite navzgor.



Odvijte in odstranite vijake (1).



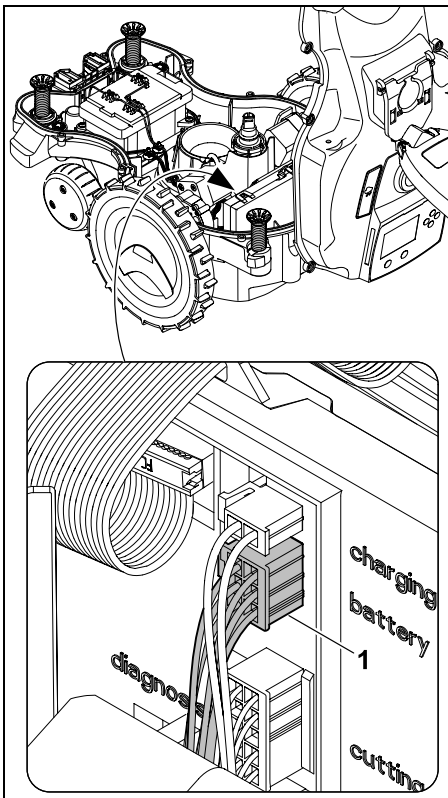
Zgornji del ohišja (1) preklopite nazaj.



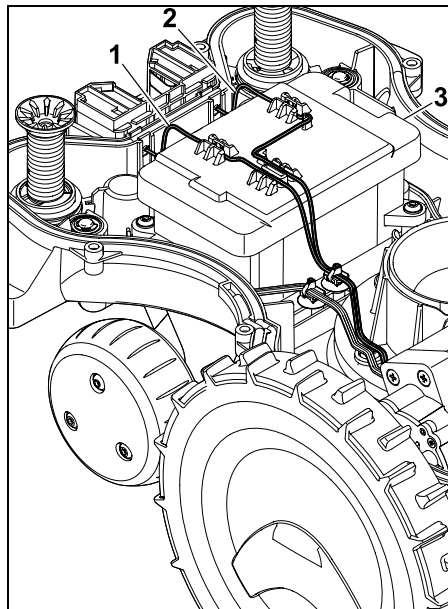
Nevarnost telesnih poškodb!

Na baterijah ne smete prekiniti nobenega kabla. Nevarnost kratkega stika!

Vedno snemite kable in jih odstranite skupaj z baterijo.



Izvalcite kabelski vtič (1) (battery).



Kabel (1) in kabel (2) snemite iz kabelskih vodil in odstranite baterijo (3).



Nevarnost poškodb!

Preprečite poškodbe baterije.

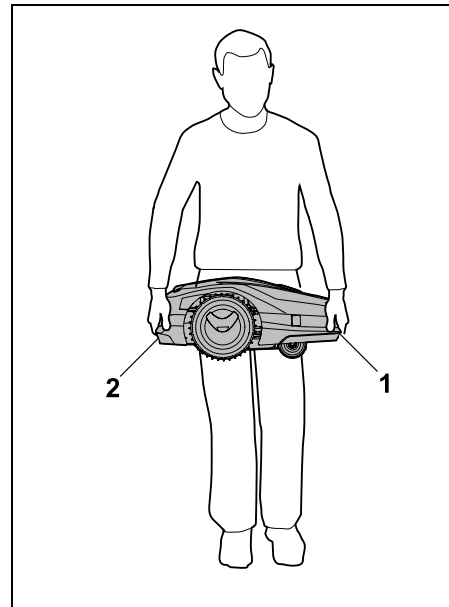


Nevarnost poškodb!

Pred vzdrževalnimi deli in čiščenjem naprave skrbno preberite in natančno upoštevajte vse varnostne napotke v poglavju »Za vašo varnost« (⇒ 6.), še zlasti podpoglavje »Transport naprave« (⇒ 6.5) – vedno aktivirajte blokado naprave. (⇒ 5.2)

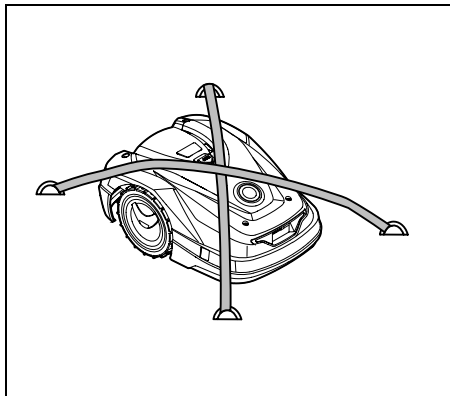
21. Transport

21.1 Dviganje ali nošenje naprave



Robotsko kosilnico dvignite in nesite za sprednji nosilni ročaj (1) in za zadnji nosilni ročaj (2). Pri tem morate paziti na zadostno razdaljo noža za košnjo od telesa, še posebej od podplатов in nog.

21.2 Pritrditev naprave



Kosilnico zavarujte na tovarni površini. Napravo pritrdite z ustreznimi pritrdili (pasovi, vrvmi), kot je prikazano.

Pripadajoče dele naprave (npr. polnilno postajo, manjše dele) prav tako zavarujte pred zdrsom.

22. Izjava o skladnosti

22.1 Izjava EU o skladnosti za električno robotsko kosilnico z baterijskim pogonom (RMI) in s polnilno postajo (ADO)

Proizvajalec:

STIHL Tirol GmbH
Hans Peter Stihl-Straße 5
6336 Langkampfen
Avstrija

ANDREAS STIHL AG & Co. KG izjavlja z izključno odgovornostjo, da

Vrsta naprave: kosilnica,
avtomatska in z
baterijskim
pogonom
Tovarniška znamka: STIHL
Tip: RMI 522.0 C
Serijska oznaka: 6305

Vrsta naprave: polnilna postaja
Tovarniška znamka: STIHL
Tip: ADO 500
Vdelana
programska
oprema V 2.00

Serijska oznaka: 6301

izpolnjuje upoštevne določbe Direktiv 2006/42/EC, 2011/65/EU, 2006/66/EC, 2014/53/EU in je zasnovana ter izdelana v skladu z različicami spodnjih standardov, ki so bile v veljavi ob vsakokratnem datumu proizvodnje:
EN 50636-2-107, EN 60335-1 Ed 5, EN 55014-1, EN 55014-2, EN 61000-3-2, EN 61000-3-3

ETSI EN 301 489-1 V2.2.3

ETSI EN 301 489-19 V2.1.1

ETSI EN 301 489-52 V2.1.1

ETSI EN 301 511 V 12.5.1

ETSI EN 301 908-1 V13.1.1

ETSI EN 301 908-13 V13.1.1

ETSI EN 303 413 V1.1.1

ETSI EN 303 447 V1.2.0

Priglašeni organ TÜV Rheinland LGA Products GmbH, št. 0197, je preveril skladnost z modulom B v Dodatku III direktive 2014/53/EU in izdal to potrdilo o EU-pregledu tipa:
RT 60154540 0001

Shranjevanje tehnične dokumentacije:
Andreas STIHL AG & Co. KG
Odobritev izdelkov

Leto izdelave in številka stroja (Ser.-No.)
sta navedena na napravi.

Waiblingen, 02.11.2020

ANDREAS STIHL AG & Co. KG

i. V.

Dr. Jürgen Hoffmann, Vodja oddelka za
pripravo podatkov o izdelkih, predpise in
odobritve

23. Tehnični podatki

Serijska oznaka	6305
Kosilni sistem	Enota za mulčenje
Rezalna naprava	Rezalna letev
Širina košnje	20 cm
Število vrtljajev rezalne naprave	4450 vrt/min
Vrsta baterije	litij-ionska
Napetost baterije	
U_{DC}	18,0 V
Višina košnje	20 - 60 mm
Razred zaščite	III

Vrsta zaščite	IPX4
Po EN 50636-2-107:	
Raven zvočnega tlaka L_{pA}	52 dB(A)
Negotovost K_{pA}	2 dB(A)
Po 2000/14/EG / S.I. 2001/1701:	
Izmerjena raven zvočne moči L_{WA}	60 dB(A)
Negotovost K_{WA}	2 dB(A)
$L_{WA} + K_{WA}$	62 dB(A)
Dolžina	60 cm
Širina	43 cm
Višina	27 cm
Moč	60 W
Naziv baterije	AAI 100
Kapaciteta baterije	4,9 Ah
Teža	9,7 kg

Mobilna povezava:

Podprti frekvenčni pasovi:	E-GSM-900 in DCS-1800
----------------------------	-----------------------

Največja moč oddajanja:

E-GSM-900:	880-915 MHz: 33,0 dBm
DCS-1800:	1710-1785 MHz: 30,0 dBm
LTE-CAT-M1:	698-960 MHz: 23 dBm
LTE-CAT-M1:	1710-2170 MHz: 23 dBm

Polnilna postaja ADO 500:

Napetost U_{DC}	27 V
Razred zaščite	III
Vrsta zaščite	IPX4
Teža	2,7 kg

Omejitvena žica in iskalna zanka:

Frekvenčno območje:	1,0-90 kHz
Največja poljska jakost	< 72 μ A/m

Napajalnik:

	OWA-60E-27 2,23 A
Omrežna napetost	100-240 V
U_{AC}	
Frekvenca	50/60 Hz
Enosmerna napetost	
U_{DC}	27 V
Razred zaščite	II
Vrsta zaščite	IP67

Transport akumulatorskih baterij STIHL:

Akumulatorske baterije STIHL izpolnjujejo predpogoje, navedene v UN-priročniku ST/SG/AC.10/11/Rev.5 III. del, podpoglavje 38.3.

Uporabnik lahko pri cestnem transportu akumulatorske baterije STIHL brez nadaljnjih pogojev prenaša s seboj do mesta uporabe naprave.

Pri zračnem ali pomorskem transportu upoštevajte državne predpise.

Nadaljnje transportne napotke najdete na <http://www.stihl.com/safety-data-sheets>

REACH:




REACH je uredba ES za registracijo, ocenjevanje in odobritev kemikalij. Za informacije o izpolnitvi uredbe ES REACH št. 1907/2006 glejte www.stihl.com/reach

24. Sporočila

Sporočila obveščajo o aktivnih napakah, motnjah in priporočilih. Prikazana so v pogovornem oknu, lahko jih priključite s pritiskom tipke OK v meniju »Več – Informacije – Sporočila«. (⇒ 11.18)

Priporočila in aktivna sporočila se prikažejo tudi v prikazu stanja. (⇒ 11.2)

V podrobnostih sporočila lahko vidite kodo sporočila, čas prikaza, prioriteto in pogostost prikaza.

- **Priporočila** imajo prioriteto »Nizka« ali »Info«, prikazana so v prikazu stanja, izmenično z besedilom »iMOW® priprav. na delov.«. Robotsko kosilnico lahko še vedno zažene, samodejno delovanje teče naprej. 
- **Motnje** imajo prioriteto »Srednja« in zahtevajo ukrepanje uporabnika. Robotsko kosilnico lahko znova zažene, če se po odpravljeni motnji. 
- Pri **napakah** s prioriteto »Visoka« se na zaslonu prikaže besedilo »Obrnite se na specializiranega trgovca«. Robotsko kosilnico lahko znova zažene, če se po odpravljeni napaki s strani specializiranega trgovca za STIHL. 

i Če kljub predlagani rešitvi sporočilo ostane aktivno, se obrnite na specializiranega trgovca STIHL.

Napake, ki jih lahko odpravijo izključno specializirani trgovci STIHL, v nadaljevanju niso navedene. Če pride do tovrstne napake, posredujte 4-mestno kodo napake in besedilo napake specializiranemu trgovcu.

i Sporočila, ki vplivajo na običajno delovanje, so prikazana tudi v aplikaciji. (⇒ 10.)

Za boljšo zmožljivost baterije robotska kosilnica po pošiljanju sporočila preide v stanje pripravljenosti in onemogoči prenos podatkov.

Sporočilo:

0001 – Podatki so posodob.
Za sprostitev pritisnite OK

Možni vzroki:

- Poteka posodobitev programske opreme naprave
- Izguba napetosti
- Napaka strojne oz. programske opreme

Rešitev:

- Po pritisku tipke OK deluje robotska kosilnica s prednastavljenimi nastavitvami – preverite in popravite nastavitve (datum, čas, načrt za košnjo)

Sporočilo:

0100 – Baterija izpraznjena
Napolnite baterijo

Možni vzroki:

- Napetost baterije prenizka

Rešitev:

- Robotsko kosilnico za polnjenje baterije priključite na polnilno postajo (⇒ 15.7)

Sporočilo:

0180 – Nizka temperatura
Osn. tiskano vezje

Možni vzroki:

- Temperatura v notranjosti robotske kosilnice prenizka

Rešitev:

- Počakajte, da se robotska kosilnica segreje

Sporočilo:

0181 – Previsoka temperatura
Osn. tiskano vezje

Možni vzroki:

- Temperatura v notranjosti robotske kosilnice previsoka

Rešitev:

- Počakajte, da se robotska kosilnica ohladi

Sporočilo:

0183 – Visoka temperatura
Tiskano vezje upravljanja polnjenja

Možni vzroki:

- Temperatura v notranjosti robotske kosilnice previsoka

Rešitev:

- Počakajte, da se robotska kosilnica ohladi

Sporočilo:

0185 – Visoka temperatura
Tiskano vezje krmiljenja vožnje

Možni vzroki:

- Temperatura v notranjosti robotske kosilnice previsoka

Rešitev:

- Počakajte, da se robotska kosilnica ohladi

Sporočilo:

0186 – Nizka temperatura
Baterija

Možni vzroki:

- Prenizka temperatura baterije

Rešitev:

- Počakajte, da se robotska kosilnica segreje

Sporočilo:

0187 – Visoka temperatura
Baterija

Možni vzroki:

- Previsoka temperatura baterije

Rešitev:

- Počakajte, da se robotska kosilnica ohladi

Sporočilo:

0302 – Napaka pog. motorja
Temperaturno območje preseženo

Možni vzroki:

- Temperatura levega pogonskega motorja previsoka

Rešitev:

- Počakajte, da se robotska kosilnica ohladi

Sporočilo:

0305 – Napaka pog. motorja
Levo kolo je zagozdeno

Možni vzroki:

- Preobremenitev na levem pogonskem kolesu

Rešitev:

- Očistite robotsko kosilnico (⇒ 16.2)
- Odstranite neravnine (luknje, vdolbine) na površini za košnjo

Sporočilo:

0402 – Napaka pog. motorja
Temperaturno območje preseženo

Možni vzroki:

- Temperatura desnega pogonskega motorja previsoka

Rešitev:

- Počakajte, da se robotska kosilnica ohladi

Sporočilo:

0405 – Napaka pog. motorja
Desno kolo je zagozdeno

Možni vzroki:

- Preobremenitev na desnem pogonskem kolesu

Rešitev:

- Očistite robotsko kosilnico (⇒ 16.2)
- Odstranite neravnine (luknje, vdolbine) na površini za košnjo

Sporočilo:

0502 – Napaka mot. za koš.
Temperaturno območje preseženo

Možni vzroki:

- Temperatura motorja za košnjo previsoka

Rešitev:

- Počakajte, da se robotska kosilnica ohladi

Sporočilo:

0505 – Napaka mot.za košnjo
Preobremenitev motorja za košnjo

Možni vzroki:

- Umazanija med sojemalno ploščo in ohišjem kosilne naprave
- Motorja za košnjo ni mogoče vklopiti
- Preobr. mot. za koš.

Rešitev:

- Očistite kosilni nož in kosilno napravo (⇒ 16.2)
- Očistite sojemalno ploščo (⇒ 16.6)
- Nastavite večjo višino košnje (⇒ 9.5)
- Odstranite neravnine (luknje, vdolbine) na površini za košnjo

Sporočilo:

0701 – Temperatura baterije
Zunaj temperaturnega območja

Možni vzroki:

- Temperatura baterije prenizka oz. previsoka

Rešitev:

- Počakajte, da se robotska kosilnica ogreje oz. ohladi – upoštevajte dovoljeno temperaturno območje baterije (⇒ 6.4)

Sporočilo:

0703 – Baterija izpraznjena
Napetost baterije prenizka

Možni vzroki:

- Napetost baterije prenizka

Rešitev:

- Robotsko kosilnico za polnjenje baterije priključite na polnilno postajo (⇒ 15.7)

Sporočilo:

0704 – Baterija izpraznjena
Napetost baterije prenizka

Možni vzroki:

- Napetost baterije prenizka

Rešitev:

- Robotsko kosilnico za polnjenje baterije priključite na polnilno postajo (⇒ 15.7)

Sporočilo:

1000 – Prevrnitev
Presežen dovoljen naklon

Možni vzroki:

- Senzor naklona je ugotovil prevrnitev

Rešitev:

- Robotsko kosilnico postavite na kolesa, preverite možne poškodbe in sporočilo potrdite z OK

Sporočilo:

1010 – iMOW® dvignjen
Za sprostitev pritisnite OK

Možni vzroki:

- Robotska kosilnica je bila dvignjena za pokrov

Rešitev:

- Preverite pomicnost pokrova in sporočilo potrdite z OK

Sporočilo:

1030 – Nap. pokrova
Preverite pokrov
Nato pritisnite OK

Možni vzroki:

- Pokrov ni prepoznan

Rešitev:

- Preverite pokrov (pomičnost, pritrdjenost) in sporočilo potrdite z OK
-

Sporočilo:

1105 – Loputa odprta
Postopek preklican

Možni vzroki:

- Odprta loputa med samodejnim delovanjem
- Odprta loputa med samodejno vožnjo po robu

Rešitev:

- Zaprite loputo (⇒ 15.2)
-

Sporočilo:

1120 – Pokrov blokirani
Preverite pokrov
Pritisnite OK

Možni vzroki:

- Prepoznano trajno trčenje
- Neravnine okoli talne plošče polnilne postaje ali pod njo

Rešitev:

- Osvobodite robotsko kosilnico, po potrebi odstranite ovire oz. spremenite potek omejitvene žice – nato sporočilo potrdite z OK
 - Preverite pomičnost pokrova in sporočilo potrdite z OK
 - Odstranite neravnine in sporočilo potrdite z OK (⇒ 9.1)
-

Sporočilo:

1125 – Odstranite oviro
Preverite položitev žice

Možni vzroki:

- Omejitvena žica ni bila natančno položena

Rešitev:

- Preverite položitev omejitvene žice, preverite razdalje z merilom iMOW® Ruler (⇒ 12.5)
-

Sporočilo:

1126 – Prekinitev priučitve
Priučitev ni uspela
Odstranite oviro

Možni vzroki:

- Ovira na območju omejitvene žice
- Pokrov je bil dvignjen
- Napačna položitev žice

Rešitev:

- Osvobodite robotsko kosilnico, po potrebi odstranite ovire oz. spremenite potek omejitvene žice
 - Preverite, ali se pokrov premika
 - Odpravite neravnine
 - Sporočilo potrdite z OK
 - Po potrebi znova začnite priučitveno vožnjo
-

Sporočilo:

1127 – Prekinitev priučitve
Priučitev ni uspela

Možni vzroki:

- Pritisnjena je bila tipka STOP
- Presežen dovoljen naklon
- Brisanje/shranjevanje internega zemljevida površine za košnjo ni uspelo
- Priklop na polnilno postajo ni uspel

Rešitev:

- Sporočilo potrdite z OK
-

- Po potrebi znova začnite priučitveno vožnjo
-

Sporočilo:

1128 – Neposreden povratak
Prekinitev povratka ob žici

Možni vzroki:

- Neposrednega povratka ni bilo mogoče uspešno zaključiti

Rešitev:

- Ukrepanje ni potrebno, po potrebi sporočilo potrdite z OK
 - Če se težava stalno pojavlja, se obrnite na specializiranega trgovca STIHL
-

Sporočilo:

1130 – Zagozdeno
Sprostite iMOW®
Pritisnite OK

Možni vzroki:

- Robotska kosilnica je zagozdena
- Pogonska kolesa se vrtijo na mestu

Rešitev:

- Osvobodite robotsko kosilnico, odstranite neravnine na površini za košnjo oz. spremenite potek omejitvene žice – nato sporočilo potrdite z OK
 - Očistite pogonska kolesa, po potrebi preprečite delovanje v dežju – nato sporočilo potrdite z OK (⇒ 11.11)
-

Sporočilo:

1135 – Zunaj
Postavite iMOW® na površino za košnjo

Možni vzroki:

- Robotska kosilnica je zunaj površine za košnjo

Rešitev:

- Robotsko kosilnico prinesite na površino za košnjo
-

Sporočilo:

1140 – Prestrmo
Preverite položitev žice

Možni vzroki:

- Senzor naklona je ugotovil naklon pobočja, večji od 40%

Rešitev:

- Spremenite položitev omejitvene žice, izločite travnate površine z naklonom pobočja, večjim od 40

Sporočilo:

1170 – Ni signala
Vključite polnilno postajo

Možni vzroki:

- Polnilna postaja je izklopljena
- Prejemanje signala žice med delovanjem je prekinjeno
- Robotska kosilnica je zunaj površine za košnjo
- Polnilna postaja oz. elektronski deli so bili zamenjani

Rešitev:

- Vključite polnilno postajo in aktivirajte ukaz za košnjo
- Preverite oskrbovanje polnilne postaje s tokom
- Preverite lučke LED na polnilni postaji – rdeča lučka LED mora med obratovanjem vedno svetiti (⇒ 13.1)
- Robotsko kosilnico prinesite na površino za košnjo
- Seznanite robotsko kosilnico in polnilno postajo (⇒ 11.16)

Sporočilo:

1180 – Priklop iMOW® na polnilno postajo
Samodejni priklop na polnilno postajo ni mogoč

Možni vzroki:

- Polnilne postaje ni bilo mogoče najti
- Začetek oz. konec pasaže je bil napačno nameščen

Rešitev:

- Preverite lučke LED na polnilni postaji, po potrebi vključite polnilno postajo (⇒ 13.1)
- Preverite priklop na polnilno postajo (⇒ 15.6)
- Preverite lijakast uvoz in izvoz pasaže (⇒ 12.11)

Sporočilo:

1190 – Napaka pol. postaje
Polnilna postaja zasedena

Možni vzroki:

- Polnilno postajo je zasedla druga robotska kosilnica

Rešitev:

- Robotsko kosilnico priključite, ko je polnilna postaja znova prosta

Sporočilo:

1200 – Napaka mot.za košnjo
Zagon motorja za košnjo po 5 poskusih neuspešen

Možni vzroki:

- Umazanija med sojemalno ploščo in ohišjem kosilne naprave
- Motorja za košnjo ni mogoče vključiti
- Preobr. mot. za koš.

Rešitev:

- Očistite kosilni nož in kosilno napravo (⇒ 16.2)
Očistite sojemalno ploščo (⇒ 16.6)

- Nastavite večjo višino košnje (⇒ 9.5)
- Odstranite neravnine (luknje, vdolbine) na površini za košnjo

Sporočilo:

1210 – Napaka pog. motorja
Kolo je zagazdeno

Možni vzroki:

- Preobremenitev na enem od pogonskih koles

Rešitev:

- Očistite robotsko kosilnico (⇒ 16.2)
- Odstranite neravnine (luknje, vdolbine) na površini za košnjo

Sporočilo:

1220 – Zaznan dež
Košnja prekinjena

Možni vzroki:

- Košnja se je zaradi dežja prekinila ali pa se sploh ni začela

Rešitev:

- Ukrepanje ni potrebno, po potrebi nastavite senzor za dež (⇒ 11.11)

Sporočilo:

1230 – Napaka pri priklopu
Priklop. iMOW® na poln. postajo

Možni vzroki:

- Polnilna postaja je najdena, a samodejni priklop na polnilno postajo ni mogoč

Rešitev:

- Preverite priklop na polnilno postajo, po potrebi ročno priključite robotsko kosilnico (⇒ 15.6)
- Preverite omejitveno žico – pazite na pravilen potek na območju polnilne postaje (⇒ 9.9)

Sporočilo:

2000 – Težava s signalom
Priklop. iMOW® na poln. postajo

Možni vzroki:

- Okvarjen signal žice, potrebno natančno naravnavanje

Rešitev:

- Robotsko kosilnico priključite na polnilno postajo – nato pritisnite OK
-

Sporočilo:

2020 – Priporočilo
Letni servis pri spec. trgovcu

Možni vzroki:

- Priporočen servis naprave

Rešitev:

- Svetujemo letni servis pri specializiranem trgovcu STIHL
-

Sporočilo:

2030 – Baterija
Dosežena dovoljena življenjska doba

Možni vzroki:

- Potrebna zamenjava akumulatorske baterije

Rešitev:

- Akumulatorsko baterijo naj zamenja specializirani trgovec STIHL
-

Sporočilo:

2031 – Napaka polnjenja
Preverite napajalne kontakte

Možni vzroki:

- Postopka polnjenja ni mogoče začeti

Rešitev:

- Preverite ter po potrebi očistite polnilne kontakte polnilne postaje in robotske kosilnice – nato sporočilo potrdite z OK
-

Sporočilo:

2032 – Temperatura baterije
Zunaj temperaturnega območja

Možni vzroki:

- Temperatura baterije med polnjenjem prenizka oz. previsoka

Rešitev:

- Počakajte, da se robotska kosilnica ogreje oz. ohladi – upoštevajte dovoljeno temperaturno območje baterije
-

Sporočilo:

2040 – Temperatura baterije
Zunaj temperaturnega območja

Možni vzroki:

- Temperatura baterije ob začetku košnje prenizka oz. previsoka

Rešitev:

- Počakajte, da se robotska kosilnica ogreje oz. ohladi – upoštevajte dovoljeno temperaturno območje baterije (⇒ 6.4)
-

Sporočilo:

2050 – Prilag. načrta koš.
Podaljšajte čase aktivnosti

Možni vzroki:

- Časi aktivnosti so bili skrajšani/izbrisani oz. čas košnje je bil podaljšan – shranjeni časi aktivnosti ne zadostujejo za potrebne postopke košnje

Rešitev:

- Podaljšajte čase aktivnosti (⇒ 11.7) oz. skrajšajte čas košnje (⇒ 11.7)
-

Sporočilo:

2060 – Košnja končana
Za sprostitev pritisnite OK

Možni vzroki:

- Košnja na stranski površini uspešno končana

Rešitev:

- Robotsko kosilnico prinesite na površino za košnjo in jo za polnjenje baterije priključite na polnilno postajo (⇒ 15.6)
-

Sporočilo:

2070 – Signal GPS
Ni sprejema na robu

Možni vzroki:

- Celoten rob površine za košnjo je zunaj doseg

Rešitev:

- Ponovite vožnjo po robu (⇒ 11.13)
 - Za podrobno diagnozo stopite v stik s specializiranim trgovcem STIHL
-

Sporočilo:

2071 – Signal GPS
Ni sprejema na začetni točki 1

Možni vzroki:

- Začetna točka 1 je zunaj radijskega doseg

Rešitev:

- Spremenite položaj začetne točke 1 (⇒ 11.14)
-

Sporočilo:

2072 – Signal GPS

Ni sprejema na začetni točki 2

Možni vzroki:

- Začetna točka 2 je zunaj radijskega dosega

Rešitev:

- Spremenite položaj začetne točke 2 (⇒ 11.14)
-

Sporočilo:

2073 – Signal GPS

Ni sprejema na začetni točki 3

Možni vzroki:

- Začetna točka 3 je zunaj radijskega dosega

Rešitev:

- Spremenite položaj začetne točke 3 (⇒ 11.14)
-

Sporočilo:

2074 – Signal GPS

Ni sprejema na začetni točki 4

Možni vzroki:

- Začetna točka 4 je zunaj radijskega dosega

Rešitev:

- Spremenite položaj začetne točke 4 (⇒ 11.14)
-

Sporočilo:

2075 – Signal GPS

Ni sprejema v zelenem območju

Možni vzroki:

- Želena območje je zunaj radijskega dosega

Rešitev:

- Ponovno določite zeleno območje (⇒ 10.)
-

Sporočilo:

2076 – Signal GPS

Želena območje ni bilo najdeno

Možni vzroki:

- Želenega območja pri vožnji po robu ni bilo mogoče najti

Rešitev:

- Ponovno določite zeleno območje. Pazite, da se zeleno območje in omejitvena žica prekrivata (⇒ 10.)
-

Sporočilo:

2077 – Želena območje

Želena območje zunaj dom. območja

Možni vzroki:

- Želena območje je zunaj shranjenega domačega območja

Rešitev:

- Ponovno določite zeleno območje (⇒ 10.)
-

Sporočilo:

2090 – Radijski modul

Obrnite se na spec. trgovca

Možni vzroki:

- Komunikacija z radijskim modulom je motena.

Rešitev:

- Ukrepanje ni potrebno, vdelana programska oprema se po potrebi samodejno posodobi.
 - Če se težava stalno pojavlja, se obrnite na specializiranega trgovca STIHL.
-

Sporočilo:

2100 – GPS-zaščita

Dom. obm. zapuščeno

Naprava blok.

Možni vzroki:

- Robotska kosilnica je bila odstranjena iz domačega območja

Rešitev:

- Robotsko kosilnico pripeljite nazaj v domače območje in vnesite kodo PIN (⇒ 5.9)
-

Sporočilo:

2110 – GPS-zaščita

Nova lokacija

Potrebna nova names.

Možni vzroki:

- Robotska kosilnica je bila zagnana na drugi površini za košnjo. Signal žice druge polnilne postaje je že shranjen.

Rešitev:

- Izvedite novo namestitvev (⇒ 11.13)
-

Sporočilo:

2400 – iMOW® uspešno ponastavljen na tovarniške nastavitve

Možni vzroki:

- Robotska kosilnica je ponastavljena na tovarniške nastavitve

Rešitev:

- Sporočilo potrdite z OK
-

Sporočilo:

4000 – Napaka napetosti
Prenapetost ali podnapetost baterije

Možni vzroki:

- Prednapetosti ali podnapetost v bateriji

Rešitev:

- Ukrepanje ni potrebno, vdelana programska oprema se po potrebi samodejno posodobi.
 - Če se težava stalno pojavlja, se obrnite na specializiranega trgovca STIHL.
-

Sporočilo:

4001 – Napaka temperature
Zunaj temperaturnega območja

Možni vzroki:

- Temperatura baterije oz. notranjost naprave prenizka oz. previsoka

Rešitev:

- Počakajte, da se robotska kosilnica ogreje oz. ohladi – upoštevajte dovoljeno temperaturno območje baterije (⇒ 6.4)
-

Sporočilo:

4002 – Prevrnitev
glejte sporočilo 1000

Sporočilo:

4003 – Pokrov dvignjen
Preverite pokrov
Nato pritisnite OK

Možni vzroki:

- Pokrov je bil dvignjen.

Rešitev:

- Preverite pokrov in sporočilo potrdite z OK.
-

Sporočilo:

4004 – Čas zaviranja prekoračen
Za sprostitev pritisnite OK

Možni vzroki:

- Napaka v poteku programa
- Napačna položitev žice
- Ovire na območju omejitvene žice

Rešitev:

- Sporočilo potrdite z OK
 - Položitev žice, še posebej na območju kotov, preverite z merilom iMOW® Ruler (⇒ 12.5)
 - Odstranite ovire
-

Sporočilo:

4005 – Čas ustavitve noža prekoračen
Za sprostitev pritisnite OK

Možni vzroki:

- Napaka v poteku programa
- Izgubljen signal žice (npr. zaradi izpada napajanja) med samodejno košnjo

Rešitev:

- Sporočilo potrdite z OK
 - Preverite napajanje polnilne postaje – rdeča lučka LED mora med delovanjem vedno svetiti, nato pritisnite tipko OK (⇒ 13.1)
-

Sporočilo:

4006 – Postopek polnjenja prekinjen
Za sprostitev pritisnite OK

Možni vzroki:

- Napaka v poteku programa
- Izpad toka med polnjenjem
- Robotska kosilnica se je odpeljala s polnilne postaje

Rešitev:

- Sporočilo potrdite z OK
 - Preverite napajanje polnilne postaje – ko je robotska kosilnica priključena, počasi utripa rdeča lučka LED (⇒ 13.1)
 - Preverite pravilnost položaja polnilne postaje (⇒ 9.1)
-

Sporočilo:

4008 – Loputa ni zaprta.
Za sprostitev pritisnite OK

Možni vzroki:

- Položaj lopute ni pravilno prepoznano
- Napaka pri prenosu signala senzorja

Rešitev:

- Sporočilo potrdite z OK
 - Loputo znova odprite in zaprite
 - Če se težava stalno pojavlja, se obrnite na specializiranega trgovca družbe STIHL
-

Sporočilo:

4009 – Motnja v senzorju pokrova
Za sprostitev pritisnite OK

Možni vzroki:

- Zamaknjen pokrov

Rešitev:

- Preverite položaj pokrova
 - Preverite pomičnost pokrova in po potrebi s pokrova očistite obloge
 - Sporočilo potrdite z OK
-

Sporočilo:

4016 – Odstopanje senzorja tipke STOP
Za sprostitvev pritisnite OK

Možni vzroki:

- Napaka v poteku programa

Rešitev:

- Sporočilo potrdite z OK
-

Sporočilo:

4027 – Tipka STOP pritisnjena
Za sprostitvev pritisnite OK

Možni vzroki:

- Tipka STOP je bila pritisnjena

Rešitev:

- Sporočilo potrdite z OK

25. Iskanje napak

Podpora in pomoč pri uporabi

Podporo in pomoč pri uporabi prejmete pri pooblaščenem prodajalcu izdelkov STIHL.

Možnosti stika in dodatne informacije so navedene na spletni strani <https://support.stihl.com/> oder <https://www.stihl.com/>.

- ✘ Po potrebi obiščite pooblaščenega prodajalca; podjetje STIHL priporoča pooblaščenega prodajalca izdelkov STIHL.

Motnja:

Robotska kosilnica deluje ob napačnem času

Možni vzroki:

- Napačno nastavljena datum in čas
- Napačno nastavljeni časi aktivnosti

- Napravo je zagnala nepooblaščen oseba

Rešitev:

- Nastavite datum in čas (⇒ 11.10)
 - Nastavite čase aktivnosti (⇒ 11.7)
 - Nastavite varnostno stopnjo na »Srednja« ali »Visoka« (⇒ 11.16)
-

Motnja:

Robotska kosilnica ne deluje med časom aktivnosti

Možni vzroki:

- Baterija se polni
- Avtomatski način izklopljen
- Čas aktivnosti izklopljen
- Zaznan dež
- Kadar je aktiviran »Dinamičen« načrt za košnjo: tedensko trajanje košnje je doseženo, drugi postopki košnje v tem tednu niso potrebni
- Sporočilo je aktivno
- Loputa je odprta ali ni nameščena
- Polnilna postaja ni priključena na električno omrežje
- Zunaj dovoljenega temperaturnega območja
- Izpad električnega toka

Rešitev:

- Baterijo pustite, da se povsem napolni (⇒ 15.7)
- Vklonite avtomatski način (⇒ 11.7)
- Sprostite čas aktivnosti (⇒ 11.7)
- Nastavite senzor za dež (⇒ 11.11)
- Dodatno ukrepanje ni potrebno, postopki košnje so pri »dinamičnem« načrtu za košnjo samodejno razdeljeni na celoten teden – po potrebi zaženite postopek košnje z menijem »Začetek« (⇒ 11.5)
- Odpravite prikazano motnjo in sporočilo potrdite z OK (⇒ 24.)
- Zaprite loputo (⇒ 15.2)

- Preverite oskrbovanje polnilne postaje s tokom (⇒ 9.3)
 - Počakajte, da se robotska kosilnica ogreje oz. ohladi – normalno temperaturno območje za delovanje robotske kosilnice: od +5 do +40 °C. Podrobne informacije najdete pri specializiranem trgovcu. ✘
 - Preverite oskrbovanje s tokom. Če po občasnem preverjanju robotska kosilnica znova prepozna signal žice, nadaljuje s prekinjenim postopkom košnje. Tako lahko traja tudi več minut, da se košnja po izpadu omrežja samodejno nadaljuje. Dalj časa, kot traja izpad električnega toka, večji so posledki med posameznimi periodičnimi preverjanji.
-

Motnja:

Po priklicu menija »Začetek« robotska kosilnica ne kosi

Možni vzroki:

- Nezadostna napolnjenost baterije
- Zaznan dež
- Loputa ni zaprta ali ni nameščena
- Sporočilo je aktivno
- Na polnilni postaji je aktiviran povratek

Rešitev:

- Napolnite baterijo (⇒ 15.7)
 - Nastavite senzor za dež (⇒ 11.11)
 - Zaprite loputo (⇒ 15.2)
 - Odpravite prikazano motnjo in sporočilo potrdite z OK (⇒ 24.)
 - Zaključite povratek oz. ukaz ponovno izvedite po priklopu
-

Motnja:

Robotska kosilnica ne deluje in zaslon je prazen

Možni vzroki:

- Naprava je v stanju pripravljenosti

- Baterija je okvarjena

Rešitev:

- Pritisnite poljubno tipko, da zbudite robotsko kosilnico – prikaže se prikaz stanja (⇒ 11.2)
- Zamenjajte baterijo (✘).

Motnja:

Robotska kosilnica se trese in je glasna

Možni vzroki:

- Kosilni nož je poškodovan
- Kosilna naprava je močno umazana

Rešitev:

- Zamenjajte nož – odstranite ovire na travnati površini (⇒ 16.4), (✘)
- Očistite kosilno napravo (⇒ 16.2)

Motnja:

Slab rezultat mulčenja oz. košnje

Možni vzroki:

- Trava je glede na višino košnje previsoka
- Trava je zelo vlažna
- Nož za košnjo je top ali obrabljen
- Časi aktivnosti niso zadostni, trajanje košnje prekratko
- Napačno nastavljena velikost površine za košnjo
- Površina za košnjo z zelo visoko travo
- Dolga obdobja dežja

Rešitev:

- Nastavite višino košnje (⇒ 9.5)
- Nastavite senzor za dež (⇒ 11.11)
- Zamaknite čase aktivnosti (⇒ 11.7)
- Zamenjajte nož (⇒ 16.4), (✘)
- Podaljšajte oz. dopolnite čase aktivnosti (⇒ 11.7)
- Podaljšajte trajanje košnje (⇒ 11.7)
- Napravite nov načrt za košnjo (⇒ 11.7)

- Da bi pri košenju dosegli dober rezultat, robotska kosilnica glede na površino za košnjo potrebuje do 2 tedna
- Dovolite košnjo med dežjem (⇒ 11.11)
- Podaljšajte aktivne čase (⇒ 11.7)

Motnja:

Prikaz na zaslonu v tujem jeziku

Možni vzroki:

- Nastavitev jezika je bila spremenjena

Rešitev:

- Nastavitev jezik (⇒ 9.7)

Motnja:

Na površini za košnjo nastajajo rjava mesta (polna prsti)

Možni vzroki:

- Čas košnje je glede na površino za košnjo predolg
- Omejitvena žica je bila položena v preozkih radijih
- Napačno nastavljena velikost površine za košnjo

Rešitev:

- Skrajšajte čas košnje (⇒ 11.7)
- Popravite potek omejitvene žice (⇒ 12.)
- Napravite nov načrt košnje (⇒ 11.7)

Motnja:

Postopki košnje so občutno krajši od običajnih

Možni vzroki:

- Trava je zelo visoka ali prevlažna
- Naprava (kosilna naprava, pogonska kolesa) je zelo umazana
- Baterija je na koncu življenjske dobe

Rešitev:

- Nastavite višino košnje (⇒ 9.5)
- Nastavite senzor za dež (⇒ 11.11)
- Zamaknite čase aktivnosti (⇒ 11.7)

- Čiščenje naprave (⇒ 16.2)
- Zamenjajte baterijo – upoštevajte ustrezno priporočilo na zaslonu (✘), (⇒ 24.)

Motnja:

Robotska kosilnica je priključena na polnilno postajo, baterija se ne polni

Možni vzroki:

- Polnjenje baterije ni potrebno
- Polnilna postaja ni priključena na električno omrežje
- Pomanjkljiv postopek priklopa na polnilno postajo
- Korozija na napajalnih kontaktih
- Napajalnik je okvarjen
- Naprava je v stanju pripravljenosti

Rešitev:

- Ukrepanje ni potrebno – baterija se samodejno polni, ko se napetost spusti pod določeno raven
- Preverite električno napajanje polnilne postaje (⇒ 9.8)
- Robotsko kosilnico postavite znotraj površine za košnjo in jo pošljite nazaj do polnilne postaje (⇒ 11.6), pri tem preverite pravi priklop – po potrebi popravite položaj polnilne postaje (⇒ 9.1)
- Zamenjajte napajalne kontakte (✘)
- Napajalnik odklopite iz električnega omrežja in se obrnite na specializiranega trgovca podjetja STIHL (✘)
- Pritisnite poljubno tipko, da zbudite robotsko kosilnico – prikaže se prikaz stanja (⇒ 11.2)

Motnja:

Priklop na polnilno postajo ne deluje

Možni vzroki:

- Neravnine na območju dovoza v polnilno postajo
- Neravnine okoli talne plošče polnilne postaje ali pod njo
- Talna plošča polnilne postaje je zvita
- Umazana pogonska kolesa oz. talna plošča
- Napačno položena omejitvena žica na območju polnilne postaje
- Konci omejitvene žice niso skrajšani

Rešitev:

- Odpravite neravnine na območju dovoza (⇒ 9.1)
- Odpravite neravnine okoli talne plošče polnilne postaje ali pod njo (⇒ 9.1)
- Talno ploščo namestite vodoravno in ravno (⇒ 9.1)
- Očistite pogonska kolesa in talno ploščo polnilne postaje (⇒ 16.2)
- Ponovno položite omejitveno žico – pazite na pravilen potek na območju polnilne postaje (⇒ 9.9)
- Omejitveno žico skrajšajte, kot je opisano, in položite brez nepotrebnih dodatnih delov žice – ne navijajte štrlečih koncev (⇒ 9.10)

Motnja:

Robotska kosilnica se pelje mimo polnilne postaje ali se narobe priklopi

Možni vzroki:

- Okoljski pogoji vplivajo na signal žice

- Napačno položena omejitvena žica na območju polnilne postaje

Rešitev:

- Ponovno seznanite robotsko kosilnico in polnilno postajo – pri tem pazite, da je robotska kosilnica pri seznanjanju postavljena naravnost v polnilni postaji (⇒ 11.16)
- Ponovno položite omejitveno žico – pazite na pravilen potek na območju polnilne postaje (⇒ 9.9)
Preverite ustrezen priklop koncev omejitvene žice na polnilni postaji (⇒ 9.10)

Motnja:

Robotska kosilnica je prevozila omejitveno žico

Možni vzroki:

- Napačno položena omejitvena žica, neustrezne razdalje
- Površina za košnjo je preveč nagnjena
- Mesta z motnjami vplivajo na robotsko kosilnico

Rešitev:

- Preverite položitev omejitvene žice (⇒ 11.13), preverite razdalje z merilom iMOW® Ruler (⇒ 12.5)
- Preverite položitev omejitvene žice, blokirajte cone s prevelikim naklonom pobočja (⇒ 11.13)
- Obrnite se na specializiranega trgovca STIHL (✖)

Motnja:

Robotska kosilnica je pogosto zagozdena

Možni vzroki:

- Prenizka višina košnje
- Pogonska kolesa so umazana

- Vdolbine, ovire na površini za košnjo

Rešitev:

- Povečajte višino košnje (⇒ 9.5)
- Očistite pogonska kolesa (⇒ 16.2)
- Zapolnite luknje na površini za košnjo, namestite zaporne površine okrog ovir, kot so proste korenine, odstranite ovire (⇒ 12.)

Motnja:

Senzor trka se ne aktivira, ko robotska kosilnica trči ob oviro

Možni vzroki:

- Nizka ovira (nižja od 8 cm)
- Ovira ni pritrjena na podlago – npr. odpadlo sadje ali teniška žogica

Rešitev:

- Odstranite oviro oz. jo izključite z zaporno površino (⇒ 12.9)
- Odstranite oviro

Motnja:

Vozni pasovi na robu površine za košnjo

Možni vzroki:

- Prepogosta košnja po robu
- Predolgo trajanje košnje
- Začetne točke v uporabi
- Baterija se na koncu življenjske dobe zelo pogosto polni
- Zamik povratka (prehod) ni vklapljen

Rešitev:

- Izključite košnjo po robu ali jo zmanjšajte na enkrat tedensko (⇒ 11.13)
- Skrajšajte čas košnje
- Na ustreznih površinah za košnjo zaženite vse postopke košnje pri polnilni postaji (⇒ 11.14)
- Zamenjajte baterijo – upoštevajte ustrezno priporočilo na zaslonu (✖), (⇒ 24.)

- Vkllop zamika povratka (prehod) (⇒ 11.13)

Motnja:

Nepokošena trava na robu površine za košnjo

Možni vzroki:

- Košnja po robu izklopljena
- Omejitvena žica ni bila natančno položena
- Trava je zunaj dosega noža

Rešitev:

- Enkrat ali dvakrat tedensko pokosite rob (⇒ 11.13)
- Preverite položitev omejitvene žice (⇒ 11.13), preverite razdalje z merilom iMOW® Ruler (⇒ 12.5)
- Nepokošena območja redno obdelujte z ustreznim rezalnikom za travo

Motnja:

Ni signala žice

Možni vzroki:

- Polnilna postaja izklopljena – lučka LED ne sveti
- Polnilna postaja ni priključena na električno omrežje – lučka LED ne sveti
- Omejitvena žica ni priključena na polnilno postajo – rdeča lučka LED utripa (⇒ 13.1)
- Omejitvena žica prekinjena – rdeča lučka LED utripa (⇒ 13.1)
- Robotska kosilnica in polnilna postaja nista seznanjeni
- Motnja elektronike – lučka LED utripa SOS (⇒ 13.1)

Rešitev:

- Vklpite polnilno postajo (⇒ 13.1)
- Preverite oskrbovanje polnilne postaje s tokom (⇒ 9.8)
- Priključite omejitveno žico na polnilno postajo (⇒ 9.10)

- Poiščite prekinjeno žico (⇒ 16.7), nato popravite omejitveno žico s spojniki kabla (⇒ 12.16)
- Seznanite robotsko kosilnico in polnilno postajo (⇒ 11.16)
- Obrnite se na specializiranega trgovca (✂)

Motnja:

Lučka LED na polnilni postaji utripa SOS

Možni vzroki:

- Najmanjša dolžina omejitvene žice prekoračena
- Motnja elektronike

Rešitev:

- Namestite AKM 100 (✂)
- Obrnite se na specializiranega trgovca (✂)

Motnja:

Robotska kosilnica ne sprejema signala GPS

Možni vzroki:

- Pravkar poteka postopek vzpostavitve satelitske povezave
- V dosegu so največ 3 sateliti
- Naprava je zunaj dosega

Rešitev:

- Ukrepanje ni potrebno, vzpostavljanje povezave lahko traja nekaj minut
- Izognite se oviram (npr. drevesom, nadstreškom) ali jih odstranite

Motnja:

Robotska kosilnica ne more vzpostaviti mobilne povezave

Možni vzroki:

- Površina za košnjo je zunaj dosega

- Radijski modul ni aktiviran

Rešitev:

- Preverite radijski modul pri specializiranem trgovcu STIHL (✂)

Motnja:

Robotska kosilnica ni dosegljiva z aplikacijo

Možni vzroki:

- Radijski modul neaktiven
- Robotska kosilnica je v stanju pripravljenosti
- Brez internetne povezave
- Robotski kosilnici ni dodeljen pravi e-poštni naslov

Rešitev:

- Radijski modul je bil med seznanjanjem izklopljen, nato se je znova aktiviral in robotska kosilnica je spet dosegljiva
- Aktivirajte robotsko kosilnico s pritiskom tipke, nastavite energijski način »Standardno« (⇒ 11.10)
- Napravo, v kateri je nameščena aplikacija, povežite z internetom
- Popravite e-poštni naslov (⇒ 10.)

Motnja:

Internega kartiranja za neposreden povratek ni bilo mogoče ustvariti.

Možni vzroki:

- Prekinitev vožnje po robu npr. zaradi ovire ali dvigovanja naprave
- Napačno polaganje žice
- Zapustitev omejitvene žice

Rešitev:

- Ponovite vožnjo po robu, vožnja po robu se mora izvesti neprekinjeno
- Vožnjo po robu izvedite pozneje
- Popravite položitev žice

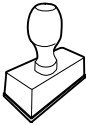
26. Načrt servisiranja

26.1 Potrditev predaje

Model: _____

Serijska številka:

Datum:



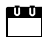
Naslednji servis

Datum:

26.2 Potrditev servisa

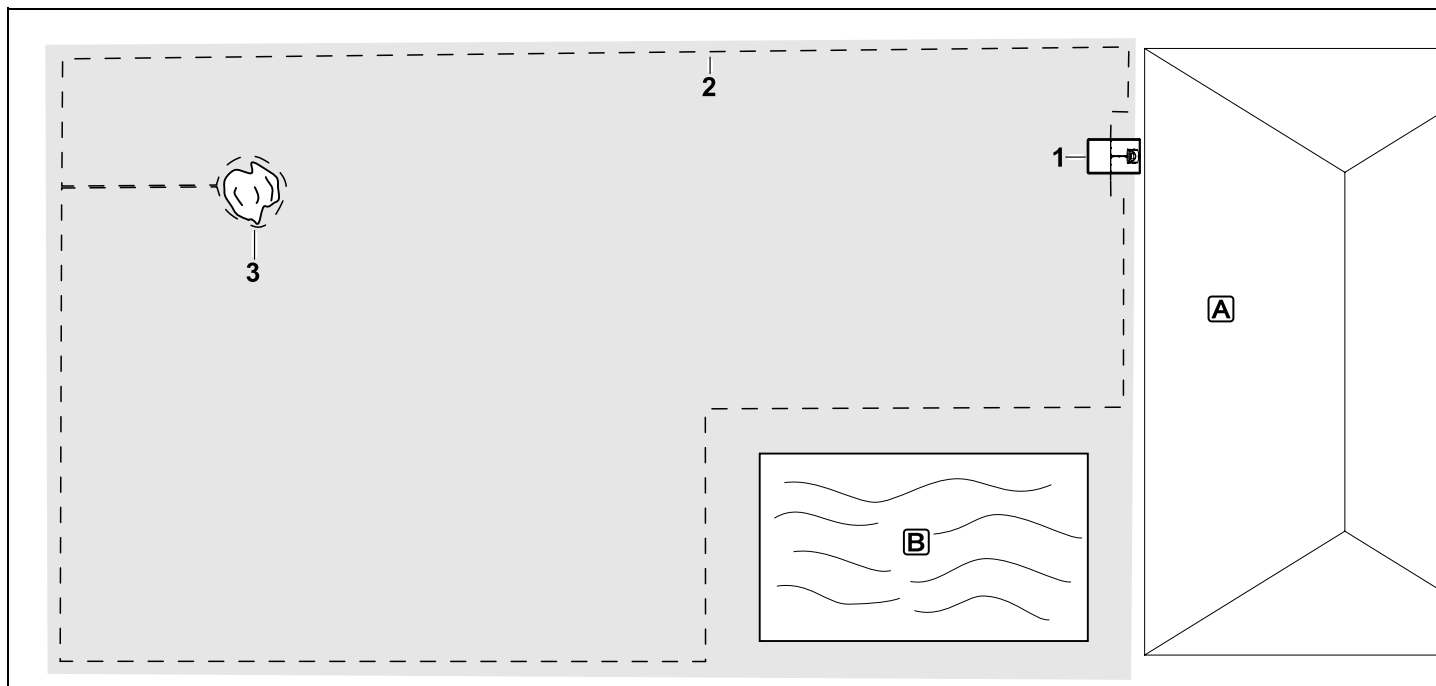


Pri vzdrževalnih delih ta navodila za uporabo dajte pooblaščenemu prodajalcu izdelkov STIHL. Ta bo na vnaprej natisnjenih poljih potrdil izvedbo servisnih del.

 Servis izveden dne

 Datum naslednjega servisa

27. Primeri namestitve



Pravokotna površina za košnjo z enim drevesom in bazenom

Polnilna postaja:

Mesto (1) neposredno ob hiši **A**

Zaporna površina:

Namestitev okoli prostostoječega drevesa (3), izhajajoč iz povezovalne proge, nameščene do roba v pravem kotu.

Bazen:

Zaradi varnostnih razlogov (predpisana razdalja žice) je omejitvena žica (2) položena okoli bazena **B**.

Razdalje žice: (⇒ 12.5)

Razdalja do roba: **28 cm**

Razdalja do sosednje prevozne površine (npr. pešpoti) s stopnjo terena, ki je manjša od +/- 1 cm: **0 cm**

Razdalja okoli drevesa: **28 cm**

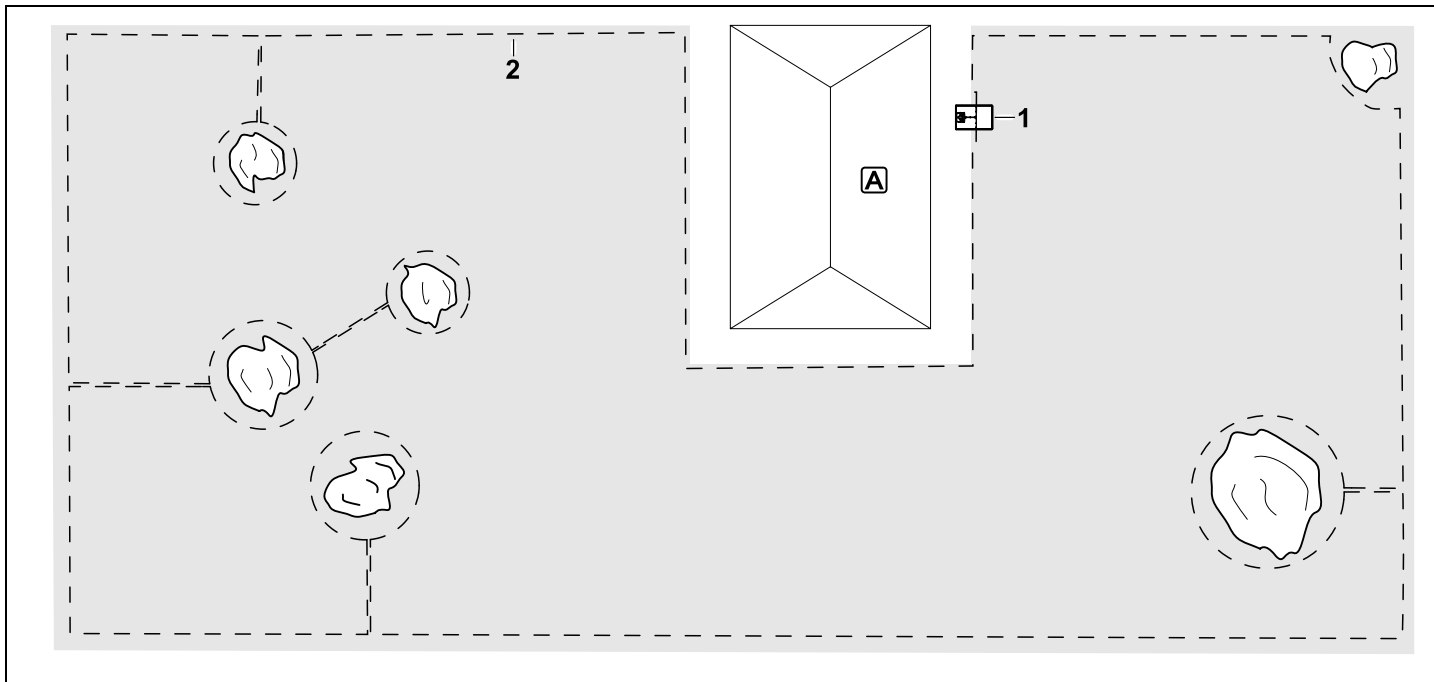
Razdalja do vodne površine: **100 cm**

Programiranje:

Po določitvi velikosti površine za košnjo nadaljnje prilagoditve niso potrebne.

Posebnosti:

Nepokošena območja okoli bazena redno ročno kosite oz. obdelujte z ustreznim rezalnikom za travo.



Površina za košnjo v obliki črke U z več prostostoječimi drevesi

Polnilna postaja:

Mesto (1) neposredno ob hiši **A**

Zaporne površine:

Namestitev okoli prostostoječih dreves, izhajajoč iz povezovalnih prog, nameščenih pravokotno od roba (2), dve zaporni površini sta povezani s povezovalno progo.

Razdalje žice: (⇒ 12.5)

Razdalja do roba: **28 cm**

Razdalja do sosednje prevozne površine (npr. pešpoti) s stopnjo terena, ki je manjša od +/- 1 cm: **0 cm**

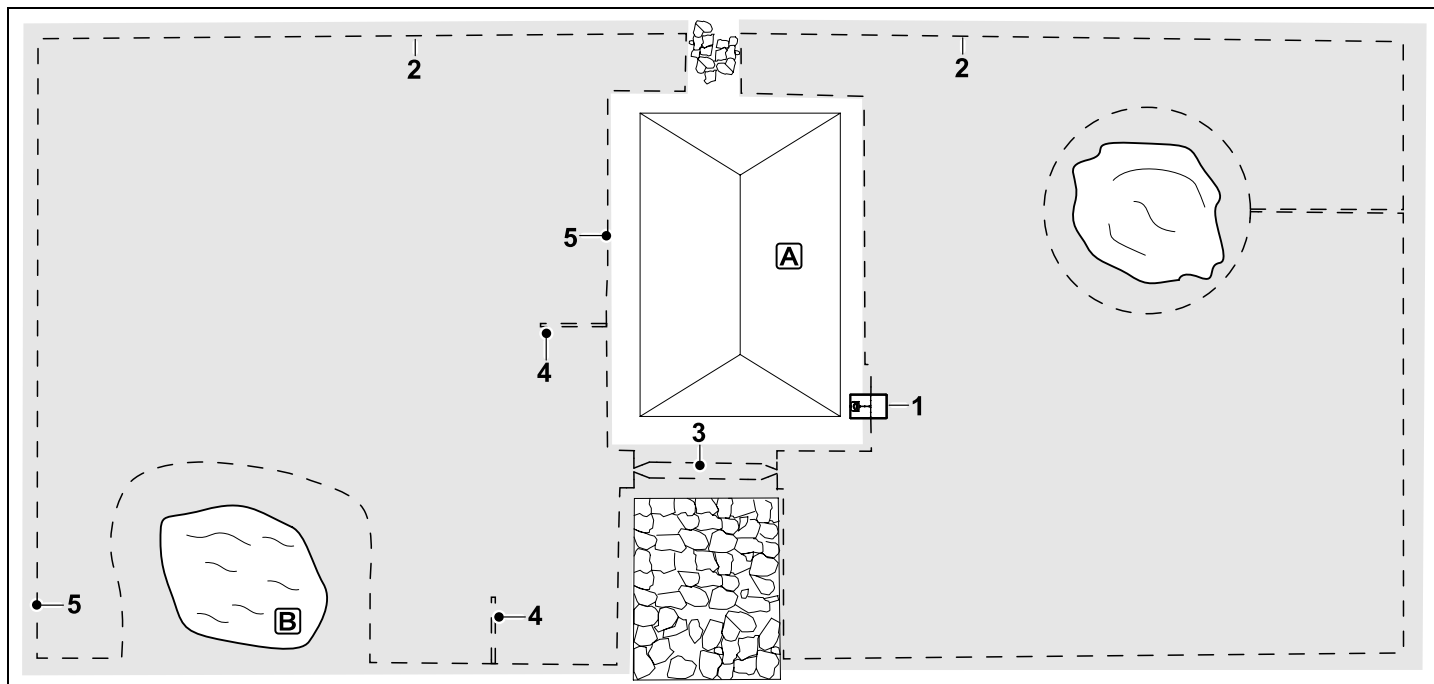
Razdalja okoli dreves: **28 cm**

Programiranje:

Po določitvi velikosti površine za košnjo nadaljnje prilagoditve niso potrebne.

Posebnosti:

Drevo v kotu površine za košnjo – območje za izločenim drevesom redno obdelujte z ustreznim rezalnikom za travo ali pa pustite rasti visoko travo.



Dvodielna površina za košnjo z ribnikom in prostostoječim drevesom

Polnilna postaja:

Mesto (1) neposredno ob hiši **A**

Zaporna površina:

Namestitev okoli prostostoječega drevesa, izhajajoč iz povezovalne proge, nameščene do roba v pravem kotu.

Ribnik:

Zaradi varnostnih razlogov (predpisane razdalje žice) je omejitvena žica (2) položena okoli ribnika **B**.

Razdalje žice: (⇒ 12.5)

Razdalja do roba: **28 cm**

Razdalja do sosednje prevozne površine (npr. pešpoti) s stopnjo terena, ki je

manjša od +/- 1 cm: **0 cm**

Okoli drevesa: **28 cm**

Razdalja do vodne površine: **100 cm**

Pasaža:

Namestitev pasaže (3). Razdalja žice: **22 cm** (⇒ 12.11)

Iskalne zanke:

Namestitev dveh iskalnih zank (4) za

uporabo funkcije zamika

povratka. (⇒ 11.13)

Najmanjša razdalja do vstopa v pasažo:

2 m

Pazite na najmanjšo razdaljo do kotov.

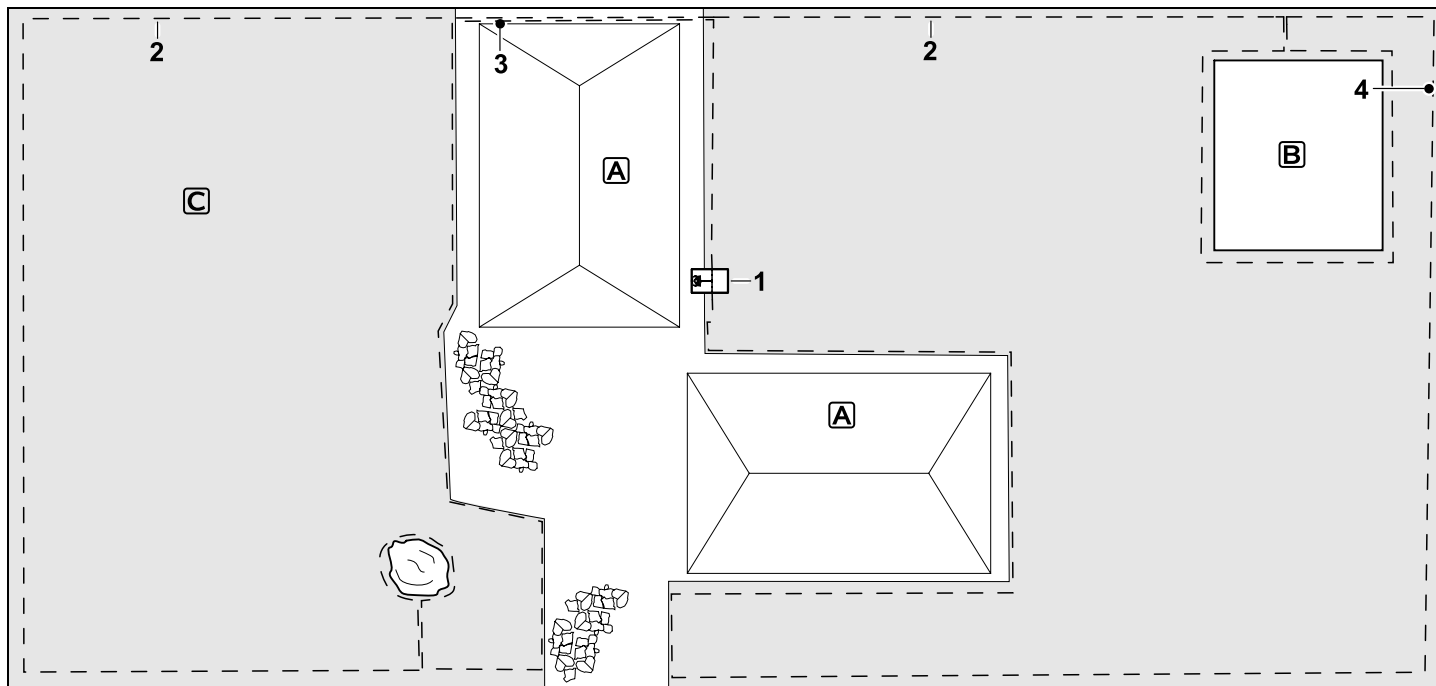
(⇒ 12.12)

Programiranje:

Določite skupno velikost površine za košnjo, programirajte dve začetni točki (5) (v bližini polnilne postaje in v ovinkastem predelu pri ribniku) (⇒ 11.14)

Posebности:

Nepokošena območja, npr. okoli ribnika, redno ročno kosite oz. obdelujte z ustreznim rezalnikom za travo.



Dvodelna površina – robotska kosilnica se ne more sama peljati z ene površine za košnjo na drugo.

Polnilna postaja:

Mesto (1) neposredno ob hišah **A**

Zaporne površine:

Namestitev okoli prostostoječega drevesa in okoli zelenjavnega vrta **B**, ki izhaja iz povezovalne proge, nameščene pod pravim kotom glede na rob.

Razdalje žice: (⇒ 12.5)

Razdalja do sosednje prevozne površine (npr. terase) s stopnjo terena, ki je manjša od +/- 1 cm: **0 cm**

Razdalja do visokih ovir: **28 cm**

Razdalja do drevesa: **28 cm**

Najmanjša razdalja žice v zoženjih za zelenjavnim vrtom: **44 cm**

Stranska površina:

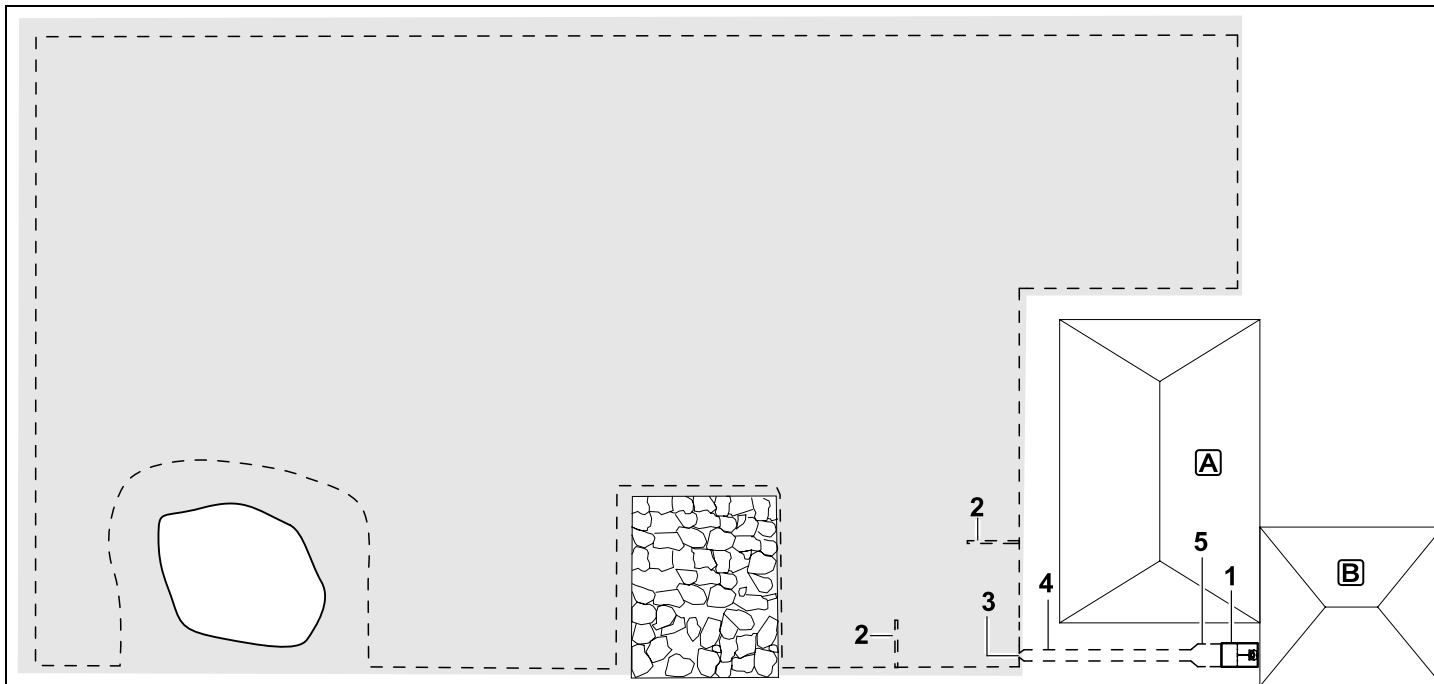
Namestitev stranske površine **C**; povezovalno progo (3) na hišni terasi namestite v kabelski kanal.

Programiranje:

Določite velikost površine za košnjo (brez stranske površine), programirajte eno začetno točko (4) v zoženju za uporabo funkcije zamika povratka (⇒ 11.13) – pogostost začetka 2 od 10 izvozov (⇒ 11.14)

Posebnosti:

Robotsko kosilnico večkrat tedensko prinesite na stransko površino in aktivirajte meni »Začetek«. (⇒ 11.5)
Upoštevajte zmogljivost glede na površino. (⇒ 14.4)
Po potrebi namestite dve ločeni površini za košnjo z 2 polnilnima postajama.



Površina za košnjo z zunanjo polnilno postajo (1):

Polnilna postaja:

Mesto (1) neposredno ob garaži (B) in za hišo (A).

Razdalje žice: (⇒ 12.5)

Razdalja do roba: **28 cm**

Razdalja do sosednje prevozne površine (npr. terase) s stopnjo terena, ki je manjša od +/- 1 cm: **0 cm**

Razdalja do vodne površine: **100 cm**

Iskalne zanke:

Namestitev dveh iskalnih zank (2) za uporabo funkcije zamika povratka. (⇒ 11.13)

Najmanjša razdalja do vstopa v pasažo:

2 m

Pazite na najmanjšo razdaljo do kotov. (⇒ 12.12)

Programiranje:

Določite velikost površine za košnjo in najmanj eno začetno točko zunaj pasaže do polnilne postaje. (⇒ 11.14)

Posebnosti:

Namestitev pasaže (4) z lijakastim uvozom (3). (⇒ 12.11)

Razdalja žice: 22 cm

Pasaža (4) vodi do zunanje polnilne postaje (1). En meter pred polnilno postajo povečajte razdaljo žice v pasaži na širino osnovne plošče (5). (⇒ 9.1)
Upoštevajte prostorsko razporeditev v pasaži in ob polnilni postaji.

28. Odprtokodna programska oprema

Ta izdelek vsebuje odprtokodno programsko opremo, zaščiteno z avtorskimi pravicami, ki so jo aktualni avtorji objavili pod določenimi licenčnimi pogoji, kot npr. »GNU General Public License« (GPL), »GNU Lesser General Public License« (LGPL), »Apache License« ali podobne licence. Če ta navodila za uporabo vsebujejo napotke, povezane z avtorskim pravom, pogoje uporabe ali licenčna določila, ki so v nasprotju z odprtokodno licenco, se ne uporabljajo. Za uporabo in širjenje vsebovane odprtokodne programske opreme velja izključno zadevna odprtokodna licenca. Če vam zadevna

licenca priznava pravico do izvirne kode te programske opreme in/ali do drugih dodatnih podatkov, lahko to ohranite v časovnem obdobju treh let po naši zadnji dobavi izdelka in, če to zahtevajo licenčni pogoji, dokler vam za izdelek nudimo podporo za stranke. Popolno, ustrezno izvorno kodo lahko prejmete, če nam pošljete e-poštno sporočilo na naslov: oss@stihl.de. Če želite popolno, ustrezno izvorno kodo prejeti na fizičnem mediju (kot je npr. CD-ROM), vam bomo izdali račun za povračilo stroškov fizične distribucije izvirne kode. Ta ponudba velja za vsakogar, ki prejme te informacije.

Posodobljeni seznam vsebovanih odprtokodnih sestavnih delov lahko najdete na spodnjem naslovu:
<http://opensource.stihl.com/>

Milá zákazníčka, milý zákazník,

teší nás, že ste sa rozhodli pre výrobok spoločnosti STIHL. Naše výrobky vyvíjame a vyrábame v špičkovej kvalite podľa požiadaviek našich zákazníkov. Tým vznikajú výrobky s vysokou spoľahlivosťou aj pri extrémnom namáhaní.

Spoločnosť STIHL je tiež zárukou kvalitného servisu. Naše špecializované predajne zabezpečujú kompetentné poradenstvo a zaškolenie, ako aj rozsiahlu technickú podporu.

Ďakujeme vám za vašu dôveru a želáme vám veľa radosti s výrobkom spoločnosti STIHL.

Dr. Nikolas Stihl

DÔLEŽITÉ! PRED POUŽITÍM PREČÍTAJTE A USCHOVAJTE.

1. Obsah

O tomto návode na obsluhu	382
Všeobecne	382
Verzia podľa krajiny vývozu	383
Vysvetlivky na čítanie návodu na obsluhu	383
Popis stroja	384
Kosačka-robot	384
Nabíjacia stanica	385
Displej	386
Princíp fungovania kosačky-robotu	387
Princíp činnosti	387
Bezpečnostné zariadenia	388
Tlačidlo STOP	388
Blokovanie stroja	388
Ochranné kryty	388
Nárazový snímač	388
Ochrana pri nadvihnutí	389
Snímač sklonu	389
Podsvietenie displeja	389
Vyžiadanie kódu PIN	389
Ochrana GPS	389
Pre vašu bezpečnosť	389
Všeobecne	389
Odev a výstroj	390
Varovanie – nebezpečenstvo úrazu elektrickým prúdom	391
Akumulátor	391
Preprava stroja	392
Pred uvedením do prevádzky	392
Programovanie	393
Počas prevádzky	393
Údržba a opravy	394
Uskladnenie pri dlhších prevádzkových prestávkach	395
Likvidácia	395
Popis symbolov	396
Rozsah dodávky	396
Úvodná inštalácia	397
Pokyny k nabíjacej stanici	401
Prípojky nabíjacej stanice	403
Pripojenie sieťového vedenia k nabíjacej stanici	404
Inštalačný materiál	405
Nastavenie výšky kosenia	405
Pokyny pre úvodnú inštaláciu	405
Nastavenie jazyka, dátumu a času	406
Inštalácia nabíjacej stanice	406
Natiahnutie obmedzovacieho vodiča	407
Pripojenie obmedzovacieho vodiča	411
Párovanie kosačky-robotu a nabíjacej stanice	415
Kontrola inštalácie	416
Programovanie kosačky-robotu	417
Dokončenie úvodnej inštalácie	418
Prvý proces kosenia po prvej inštalácii	419
Aplikácia iMOW®	419
Ponuka	419
Pokyny na ovládanie	419
Indikátor stavu	421
Informačná oblasť	422
Hlavná ponuka	422
Štart	422
Cesta domov	423
Plán kosenia	423
Viac	424
Nastavenia	424
iMOW® – nastavenia stroja	424

Nastavenie dažďového senzora	425	Trvanie kosenia	442	Vyhlasenie o zhode výrobcom	
Nastavenie indikátora stavu	425	Domovská oblasť	443	ku kosačke-robotovi s elektrickým	
Inštalácia	426	Uvedenie stroja do prevádzky	443	akumulátorovým pohonom (RMI)	
Nastavenie východiskových bodov	426	Príprava	443	s nabíjacou stanicou (ADO)	455
Priama cesta domov	427	Klapka	443	Technické údaje	455
Bezpečnosť	428	Prispôsobenie programovania	443	Hlásenia	456
Servis	430	Kosenie s režimom automatiky	444	Hľadanie porúch	464
Informácie	430	Kosenie nezávisle od daných dôb		Servisný plán	468
Obmedzovací vodič	431	činnosti	444	Potvrdenie o prevzatí	468
Naplánovanie polozenia		Zaparkujte kosačku-robotu do		Potvrdenie o vykonaní servisných	
obmedzovacieho vodiča	431	nabíjacej stanice	445	prac	468
Vytvorenie náčrtu kosenej plochy	432	Nabíjanie akumulátora	445	Príklady inštalácie	469
Natiahnutie obmedzovacieho		Údržba	446	Softvér s otvoreným zdrojom	473
vodiča	432	Plán údržby	446		
Pripojenie obmedzovacieho vodiča	433	Vyčistenie stroja	446		
Vzdialenosti drôtov – použitie		Kontrola opotrebovania žacieho			
iMOW® Ruler	433	noža	447		
Ostré rohy	434	Demontáž a montáž žacieho noža	447		
Zúžené miesta	434	Brúsenie žacieho noža	448		
Inštalácia prepájacích dráh	435	Montáž a demontáž unášacieho			
Zakázané plochy	435	kotúča	448		
Vedľajšie plochy	436	Nájsť preruš. drôtu	449		
Uličky	436	Uskladnenie stroja a zimná			
Vyhľadávacie slučky pre posunutú		prestávka	450		
návratovú dráhu domov	438	Demontáž nabíjacej stanice	451		
Presné kosenie na hrany	439	Bežné náhradné diely	452		
Klesajúci terén pozdĺž		Príslušenstvo	452		
obmedzovacieho vodiča	439	Opatrenia na minimalizovanie			
Inštalácia rezervných dĺžok drôtu	440	opotrebovania a na zabránenie			
Používanie drôtových spojok	440	vzniku škôd	452		
Úzke vzdialenosti od okraja	441	Ochrana životného prostredia	453		
Nabíjacia stanica	441	Demontáž akumulátora	453		
Ovládacie prvky nabíjacej stanice	441	Preprava stroja	454		
Pokyny pre kosenie	442	Zdvíhanie alebo prenášanie stroja	454		
Všeobecne	442	Upevnenie stroja	455		
Mulčovanie	442	Prehlásenie o zhode výrobcom	455		
Doby činnosti	442				

2. O tomto návode na obsluhu

2.1 Všeobecne

Tento návod na obsluhu je **originálny návod na obsluhu** od výrobcu v zmysle smernice EÚ 2006/42/EC.

Spoločnosť STIHL neustále pracuje na ďalšom vývoji a rozširovaní ponuky svojich výrobkov, preto si vyhradzuje právo na zmeny obsahu dodávok, ktoré sa môžu týkať formy, technického vybavenia a príslušenstva.

Z tohto dôvodu nemožno na základe údajov a obrázkov uvedených v tomto katalógu vzniesť žiadne právne nároky.

V tomto návode na obsluhu sú príp. popísané modely, ktoré nie sú vo vašej krajine dostupné.

Tento návod na obsluhu je chránený autorskými právami. Všetky práva zostávajú vyhradené, a to najmä právo na rozmnožovanie, preklady a úpravy prostredníctvom elektronických systémov.

2.2 Verzia podľa krajiny vývozu

Podľa krajiny vývozu dodáva STIHL svoje stroje s rôznymi elektrickými zástrčkami a spínačmi.

Na obrázkoch sú zobrazené prístroje s euro-zástrčkami, pripojenie strojov do siete s inými zástrčkami prebieha analogicky.

2.3 Vysvetlivky na čítanie návodu na obsluhu

Obrázky a texty popisujú určité manipulačné kroky.

V návode na obsluhu sú vysvetlené tiež všetky obrázkové symboly umiestnené na stroji.

Smer pohľadu:

Definícia smeru pohľadu v tomto návode na obsluhu pri označení smeru „vľavo“ a „vpravo“:

Obsluha stroja stojí za strojom a pozerá sa dopredu v smere jazdy.

Odkaz na kapitolu:

Šípka ukazuje na príslušné kapitoly a podkapitoly, v ktorých môžete nájsť ďalšie vysvetlenie. V nasledujúcom príklade je uvedený odkaz na kapitolu: (⇒ 3.)

Označenie jednotlivých textových sekvencií:

Popísané pokyny môžu byť označené ako niektorý z nasledujúcich príkladov.

Manipulačné kroky, ktoré vyžadujú určitý úkon obsluhy:

- Skrutku (1) uvoľníte skrutkovačom, stlačte páku (2) ...

Všeobecný súpis úkonov:

- použitie stroja na športové alebo súťažné akcie

Texty so zvláštnym významom:

Pre zdôraznenie zvláštného významu sú tieto textové úseky v návode na obsluhu označené jedným z nasledujúcich symbolov.



Nebezpečenstvo!

Nebezpečenstvo nehody a ťažkého úrazu osôb. Na tomto mieste sa musia dodržiavať určité predpísané pokyny alebo sa niečo zakazuje.



Varovanie!

Nebezpečenstvo úrazu osôb. Dodržovaním predpísaných pokynov môžete zabrániť možným úrazom.



Pozor!

Dodržiavaním predpísaných pokynov môžete zabrániť nebezpečenstvu vzniku ľahkých úrazov resp. materiálnych škôd.



Upozornenie

Informácia, dôležitá pre lepšie využitie funkcií stroja a pre zabránenie možným chybám obsluhy.

Texty vzťahujúce sa k obrázkom:

Niektoré obrázky, ktoré sú potrebné na obsluhu stroja, sú uvedené v návode na obsluhu úplne na začiatku.

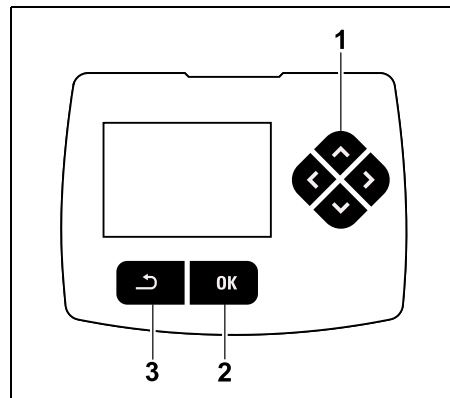
Symbol fotoaparátu slúži na prepojenie obrázkov v obrázkovej časti s príslušným textom v návode na obsluhu.



Obrázky s textovými odsekmi:

Obslužné kroky priamo súvisiace s daným obrázkom nájdete hneď za obrázkom s príslušnými číselnými označeniami pozícií.

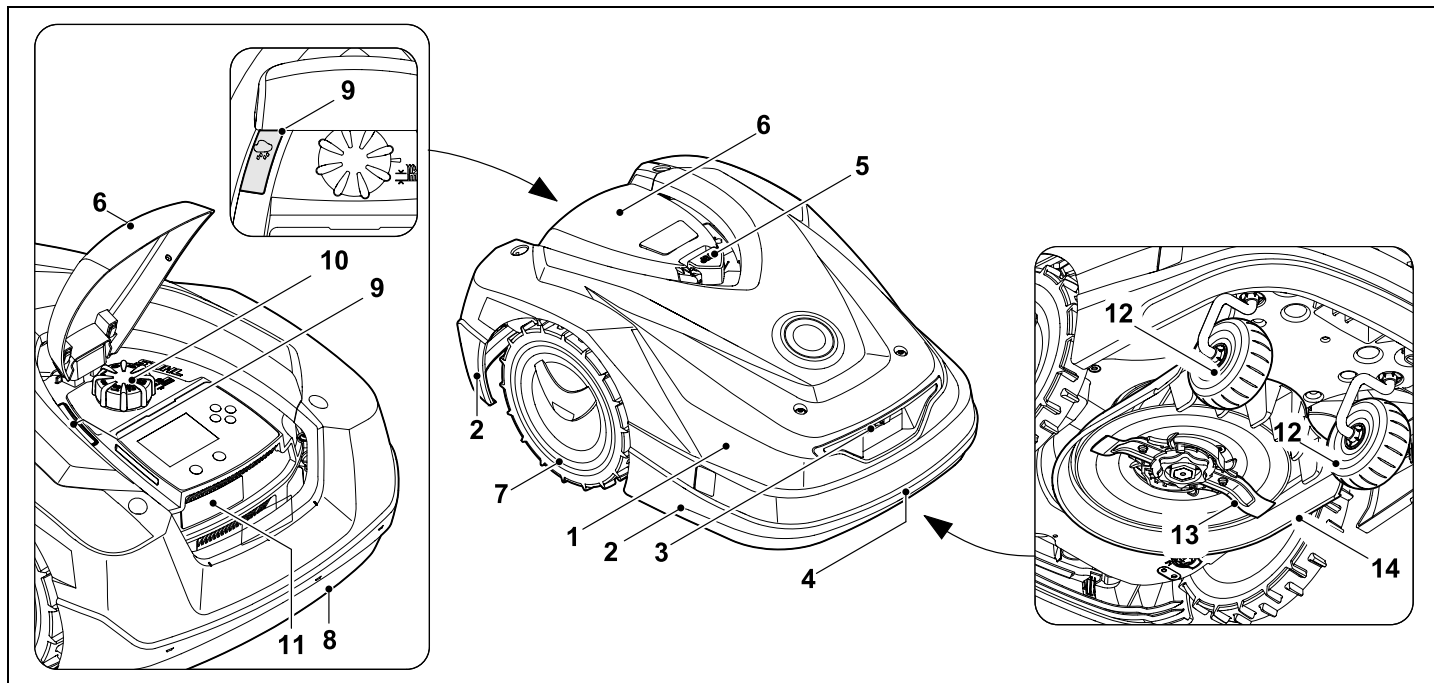
Príklad:



Smerový ovládač (1) slúži na navigáciu v ponukách, pomocou tlačidla OK (2) potvrdíte nastavenia a otvoríte ponuky. Pomocou tlačidla Späť (3) môžete znova zatvárať jednotlivé ponuky.

3. Popis stroja

3.1 Kosačka-robot



1 Pohyblivo uložená kapota (⇒ 5.4),
(⇒ 5.5)

2 Ochranná lišta

3 Nabíjacie kontakty:
Kontakty na pripojenie k nabíjacej
stanici

4 Držiak na nosenie vpredu
(zabudovaný do pohyblivej kapoty)
(⇒ 21.1)

5 Tlačidlo STOP (⇒ 5.1)

6 Klapka (⇒ 15.2)

7 Hnacie koleso

8 Držiak na nosenie vzadu
(zabudovaný do pohyblivej kapoty)
(⇒ 21.1)

9 Dažďový senzor (⇒ 11.10)

10 Krídlková matica na prestavenie
výšky kosenia (⇒ 9.5)

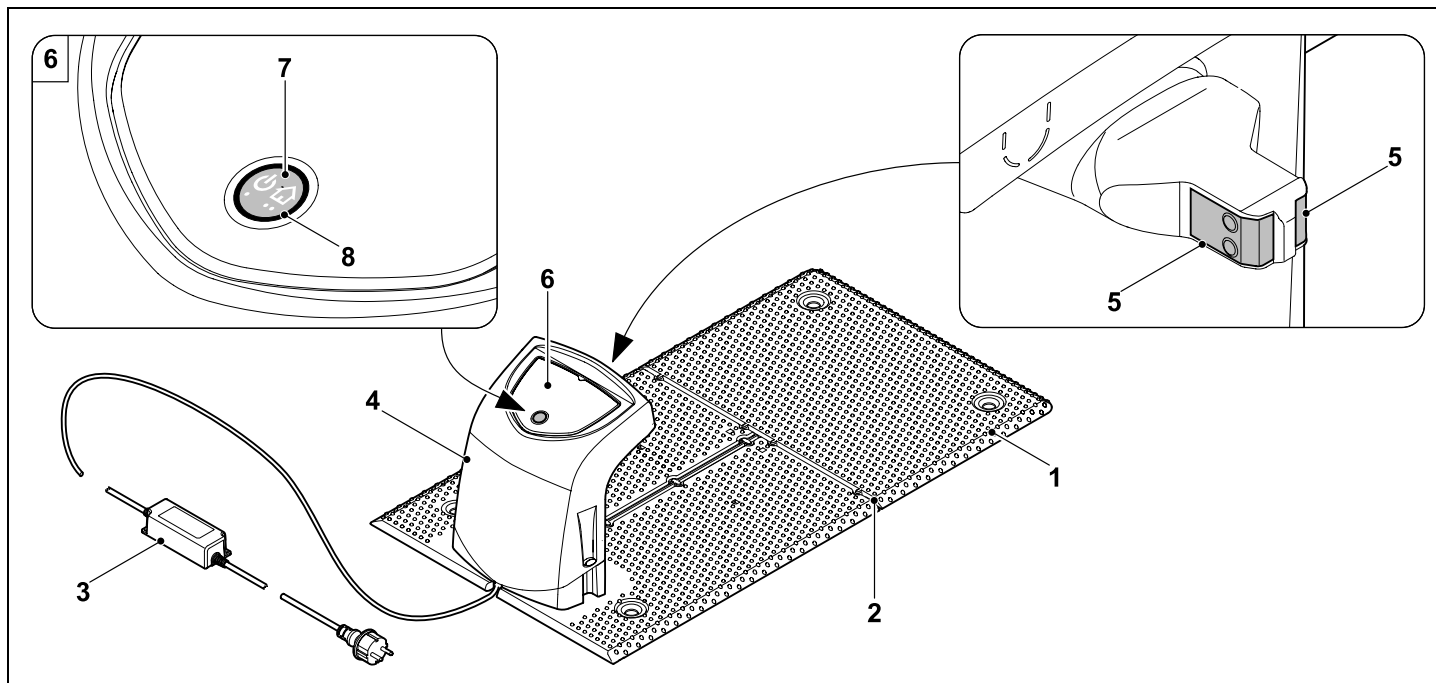
11 Typový štítok so strojovým číslom

12 Predné koleso

13 Obojstranne brúsený žací nôž
(⇒ 16.4)

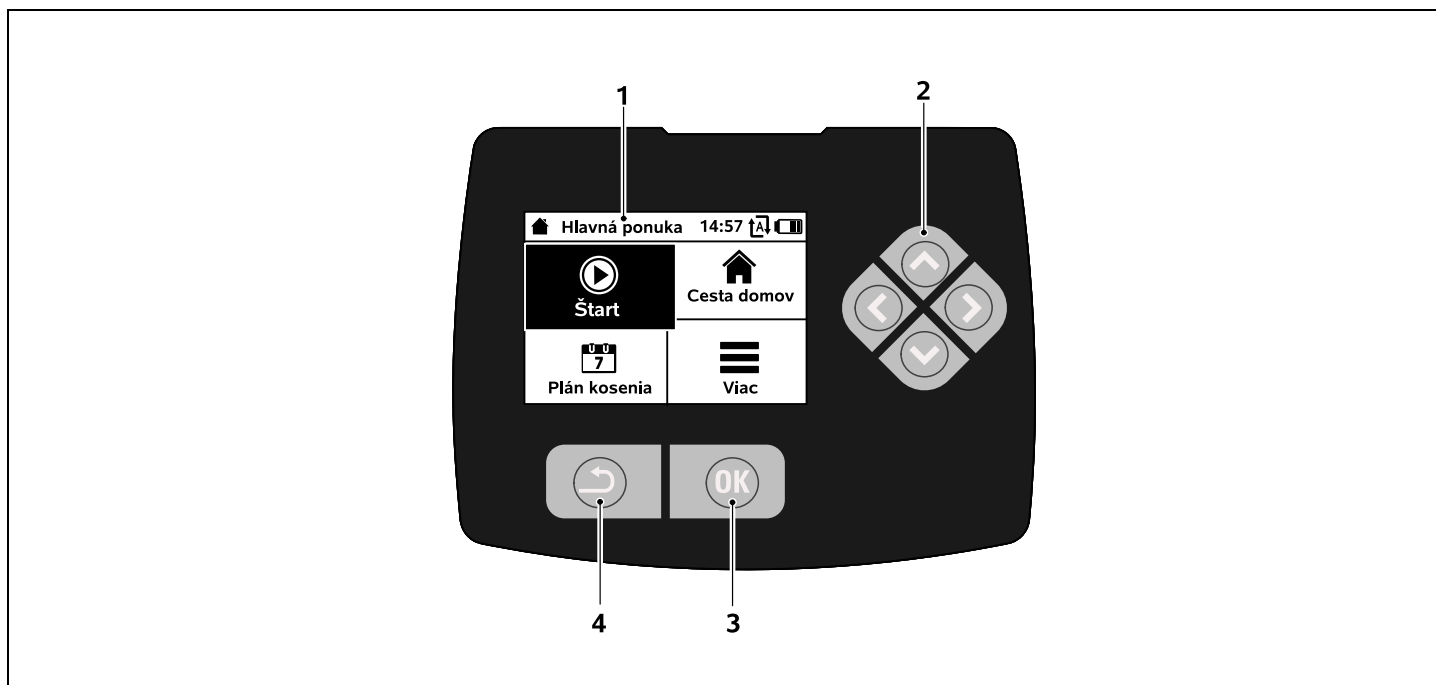
14 Žací mechanizmus

3.2 Nabíjacia stanica



- 1 Základová doska
- 2 Vedenie kábla na položenie obmedzovacieho vodiča (⇒ 9.10)
- 3 Sieťový napájací adaptér
- 4 Odnímateľný kryt (⇒ 9.2)
- 5 Nabíjacie kontakty:
Kontakty na pripojenie ku kosačke-robotu
- 6 Ovládací panel
s tlačidlom a ukazovateľom LED
(⇒ 13.1)
- 7 Tlačidlo
- 8 Ukazovateľ LED

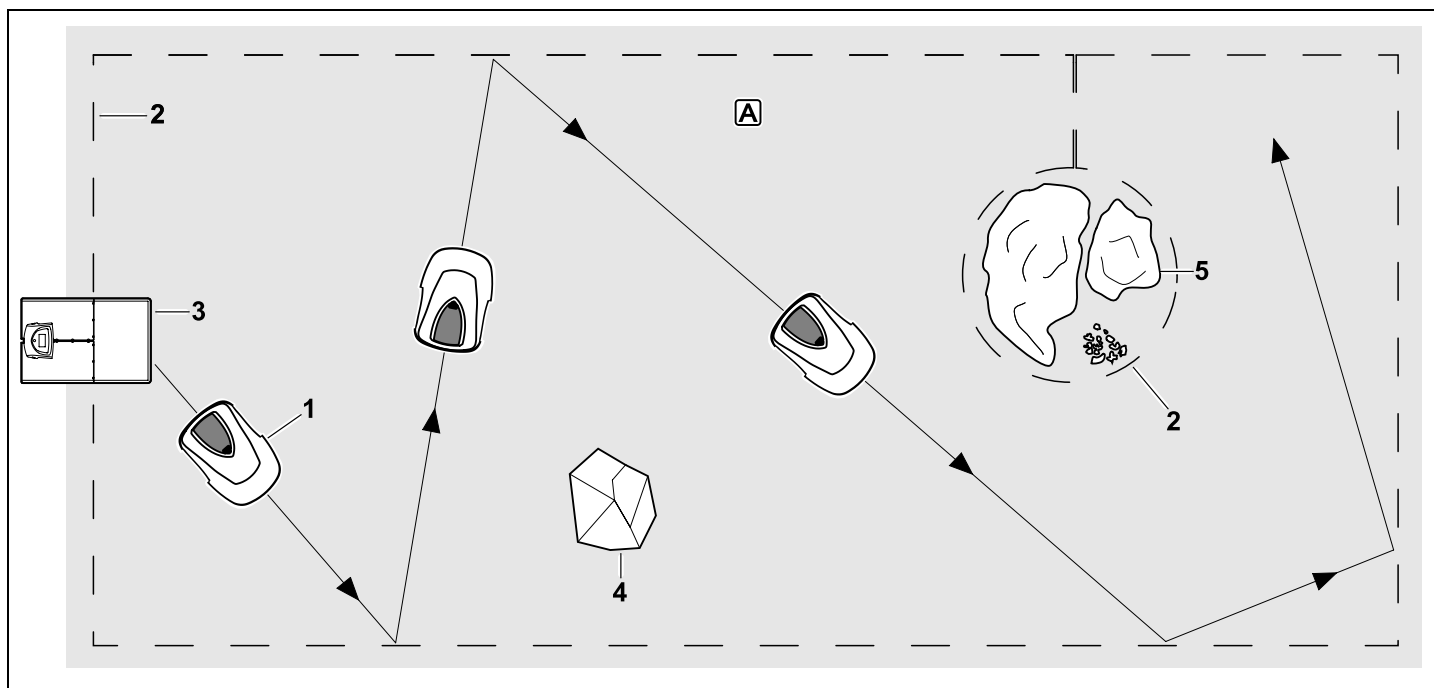
3.3 Displej



- 1 Grafický displej
- 2 Smerový ovládač:
Navigácia v ponukách (⇒ 11.1)
- 3 Tlačidlo OK:
Navigácia v ponukách (⇒ 11.1)
- 4 Tlačidlo Späť:
Navigácia v ponukách

4. Princíp fungovania kosačky-robota

4.1 Princíp činnosti



Kosačka-robot (1) je koncipovaná na automatickú údržbu trávnatých plôch. Kosí trávnik po náhodne zvolených dráhach.

Aby dokázala kosačka-robot rozpoznať hranice kosenej plochy [A], musí byť po okraji tejto plochy natihnutý obmedzovací vodič (2). Cezeň prechádza drôtový signál, ktorý sa vytvára v nabíjajúcej stanici (3).

Pevné prekážky (4) na kosenej ploche bezpečne rozpozna kosačka-robot pomocou nárazového snímača. Oblasti (5), do ktorých nesmie kosačka-robot zasiahnuť, ako aj prekážky, do ktorých nesmie naraziť, je potrebné oddeliť od zvyšku kosenej plochy pomocou obmedzovacieho vodiča.

Pri zapnutom automatickom režime opustí kosačka-robot počas nastavenej doby činnosti (⇒ 14.3) sama nabíjajúcu stanicu a pokosí trávnik. Ak je potrebné

nabiť akumulátor, kosačka-robot sa sama vráti späť do nabíjajúcej stanice. Ak si zvolíte typ plánu kosenia „Štandardný“, kosačka-robot sa nabíja a kosí počas celej doby činnosti. Ak si zvolíte typ plánu kosenia „Dynamický“, počet a doba kosení a nabíjania v rámci nastavenej doby činnosti sa pritom reguluje úplne automaticky.

Pri vypnutom automatickom režime a na vykonanie fáz kosení **nezávisle od nastavenej doby činnosti** je možné aktivovať kosenie v ponuke menu „Štart“. (⇒ 11.5)



Robotickú kosačku STIHL môžete spoľahlivo a bez poruchy prevádzkovať v bezprostrednej blízkosti iných kosačiek-robotov. Drôtový signál spĺňa štandard

elektromagnetických emisií združenia EGMF (Európska federácia výrobcov záhradnej techniky).

5. Bezpečnostné zariadenia

Stroj je na zaistenie bezpečnej obsluhy a ochrany pred neoprávneným použitím vybavený mnohými bezpečnostnými zariadeniami.



Nebezpečenstvo úrazu!

Ak sa na niektorom bezpečnostnom zariadení zistí porucha, stroj sa nesmie uviesť do prevádzky. V takomto prípade sa obráťte na špecializovaného predajcu. Spoločnosť STIHL odporúča špecializovaného predajcu výrobkov STIHL.

5.1 Tlačidlo STOP

Stlačením červeného tlačidla STOP navrchu kosačky-robotu sa okamžite zastaví prevádzka stroja. Žací nôž sa v priebehu niekoľkých sekúnd úplne zastaví a na displeji sa zobrazí hlásenie „Stlačené tlač. STOP“. Pokiaľ bude toto

hlásenie aktívne, kosačku-robotu nebude možné uviesť do prevádzky a bude v bezpečnom stave. (⇒ 24.)

Pri **zapnutej automatike** sa po potvrdení hlásenia tlačidlom OK zobrazí dotaz, či má pokračovať automatická prevádzka. Ak zvolíte možnosť **Áno**, bude kosačka-robot pokračovať v úprave kosenej plochy podľa plánu kosenia. Pri **výbere možnosti Nie** zostane kosačka-robot stáť na kosenej ploche a automatický režim sa vypne. (⇒ 15.4)



Dlhým stlačením tlačidla STOP sa navyše zapne aj blokovanie stroja. (⇒ 5.2)



5.2 Blokovanie stroja

Kosačku-robotu treba zablockovať pred všetkými údržbárskymi, opravnými prácami, pred prepravou a pred kontrolou.

Pri aktivovanom blokovaní stroja nie je možné uviesť kosačku-robotu do prevádzky.

Zapnutie blokovania stroja:

- Stlačte a dlho podržte **tlačidlo STOP**,
- v ponuke **Viac**,
- v ponuke **Bezpečnosť**.

Zapnutie blokovania stroja prostredníctvom ponuky Viac:

- V ponuke „Viac“ vyberte položku „Zablokovať iMOW®“ a potvrdte stlačením tlačidla OK. (⇒ 11.8)



Zapnutie blokovania stroja prostredníctvom ponuky Bezpečnosť:

- V ponuke „Viac“ otvorte podponuku „Nastavenia“ a „Bezpečnosť“. (⇒ 11.16)
- Vyberte položku „Blokov.stroja“ a potvrdte stlačením tlačidla OK.

Vypnutie blokovania stroja:

- V prípade potreby aktivujte stroj stlačením ľubovoľného tlačidla.
- Kosačku-robotu odblokujte znázornenou kombináciou tlačidiel. Na tento účel treba v poradí uvedenom na displeji stlačiť tlačidlo **OK** a tlačidlo **Späť**.



5.3 Ochranné kryty

Kosačka-robot na trávnu je vybavená ochrannými krytmi, ktoré bránia neúmyselnému kontaktu so žacím nožom a pokosenou hmotou. Patrí medzi ne najmä kapota.

5.4 Nárazový snímač

Pohyblivá kapota na kosačke-robotu slúži ako nárazový snímač. Keď je robotická kosačka v automatickom prevádzkovom režime a narazí do pevnej prekážky, ktorá má určitú minimálnu výšku (8 cm) a je pevne spojená s podkladom, kosačka okamžite zastane. Následne zmení smer pohybu a bude pokračovať v kosení. Ak je nárazový snímač aktivovaný príliš často, zastaví sa navyše aj žací nôž.



Kosačka narazí do prekážky určitou silou. Krehké prekážky, resp. ľahké predmety ako malé kvetináče, sa preto môžu prevrátiť, resp. poškodiť.

Spoločnosť STIHL odporúča odstrániť všetky prekážky, resp. ich vyčleniť do zakázaných plôch. (⇒ 12.9)

5.5 Ochrana pri nadvihnutí

Keď sa kosačka-robot nadvihne za kapotu, kosenie sa okamžite preruší. Žací nôž sa v priebehu niekoľkých sekúnd úplne zastaví.

5.6 Snímač sklonu

Ak dôjde počas prevádzky k prekročeniu povoleného sklonu svahu, kosačka-robot okamžite zmení smer jazdy. Pri preklopení sa vypne pohon kolies aj žací motor.

5.7 Podsvietenie displeja

Počas prevádzky sa zapne podsvietenie displeja. Vďaka tomuto osvetleniu je kosačka-robot dobre viditeľná aj v tme.

5.8 Vyžiadanie kódu PIN

Ak niekto pri aktivovanom vyžiadaní kódu PIN zdvihne kosačku-robotu a do jednej minúty nezadá kód PIN, začne znieť výstražný zvukový signál. (⇒ 11.16)

Kosačku-robotu je možné používať výlučne s dodanou nabíj. stanicou. Ďalšia nabíj. stanica sa musí s kosačkou-robotom spárovať. (⇒ 11.16)



Spoločnosť STIHL odporúča nastaviť jednu z **bezpečnostných úrovní** „Nízka“, „Stredná“ alebo „Vysoká“. Tým je zaručené, že neoprávnené osoby nebudú môcť uviesť kosačku-robotu do prevádzky pomocou inej nabíjacej stanice, resp. zmeniť nastavenia alebo programovanie.

5.9 Ochrana GPS

Kosačka-robot je vybavený GPS prijímačom. Pri aktivovanej ochrane GPS je majiteľ stroja upozornený, že sa stroj uviedol do prevádzky mimo domov. oblasti. Okrem toho sa na displeji zobrazí výzva k zadaniu kódu PIN. (⇒ 14.5)



Odporúčanie:

Ochrana GPS by mala byť vždy aktivovaná. (⇒ 11.16)

6. Pre vašu bezpečnosť

6.1 Všeobecne



Pri práci so strojom je bezpodmienečne nutné dodržiavať nasledujúce bezpečnostné predpisy.



Pred prvým uvedením stroja do prevádzky je potrebné si pozorne prečítať celý návod na obsluhu. Návod na obsluhu si starostlivo uložte, aby ste ho mohli použiť neskôr.

Z hľadiska vašej bezpečnosti je nevyhnutné dodržiavať tieto bezpečnostné opatrenia, ktorých zoznam však nie je úplný. Používajte stroj vždy

rozumne a zodpovedne a pamätajte na to, že obsluha stroja zodpovedá za úrazy spôsobené ďalším osobám alebo za poškodenie ich majetku.

Výraz „používať/používanie“ označuje všetky práce na kosačke-robotu, nabíjacej stanici aj na obmedzovacom vodiči.

Výraz „používateľ“ označuje nasledujúce osoby:

- Osoba, ktorá kosačku-robotu programuje alebo existujúci program zmení.
- Osoba, ktorá pracuje s kosačkou-robotom.
- Osoba, ktorá stroj uvádza do prevádzky alebo aktivuje.
- Osoba, ktorá inštaluje alebo odinštaluje obmedzovací vodič, resp. nabíjaciu stanicu.

Aj použitie aplikácie **iMOW®** spadá pod pojem „použitia“ v zmysle tohto návodu na obsluhu.

Používajte stroj len oddýchnutý a v dobrom telesnom ako i duševnom stave. Ak máte zdravotné problémy, mali by ste sa informovať u svojho lekára, či vám odporúča prácu so strojom. So strojom sa nesmie pracovať po požití alkoholu, drog alebo liekov, ktoré ovplyvňujú reakčnú schopnosť.

Zoznámte sa s ovládacími prvkami a používaním stroja.

Stroj smú obsluhovať len osoby oboznámené s návodom na obsluhu stroja a s jeho ovládaním. Pred prvým uvedením do prevádzky musí používateľ absolvovať odborné a praktické zaškolenie. Predávajúci, prípadne iná odborne vyškolená osoba, musí používateľovi vysvetliť bezpečné používanie stroja.

Pri tomto školení treba používateľa upozorniť najmä na to, že pri práci so strojom je potrebná maximálna starostlivosť a koncentrácia.

Aj keď tento stroj obsluhujete podľa predpisov, stále zostávajú zostatkové riziká.



Ohrozenie života udusením!

Hrozí riziko udusenía detí hrajúcich sa s obalovým materiálom. Obalový materiál vždy uchovávajte mimo dosahu detí.

Stroj je možné zveriť, resp. zapožičať iba osobám, ktoré boli s týmto modelom a jeho používaním dôkladne oboznámené.

Návod na obsluhu je súčasťou stroja a vždy sa musí poskytovať spolu so strojom.

Zabezpečte, aby bol používateľ telesne, zmyslovo aj duševne schopný obsluhovať prístroj a pracovať s ním. Ak je používateľ schopný vykonávať tieto činnosti s telesným, zmyslovým alebo duševným obmedzením, môže používateľ pracovať so strojom iba pod dozorom alebo podľa pokynov zodpovednej osoby.

Dbajte na to, aby bol používateľ plnoletý alebo je odborne vzdelávaný pod dohľadom v súlade s národnými predpismi.



Pozor - nebezpečenstvo úrazu!



Počas kosenia je potrebné držať deti vo vzdialenosti od stroja a kosenej plochy.



Počas kosenia je potrebné držať psy a iné domáce zvieratá vo vzdialenosti od stroja a kosenej plochy.

Z bezpečnostných dôvodov je zakázaná akákoľvek úprava stroja okrem odbornej montáže príslušenstva a prídavných zariadení schválených spoločnosťou STIHL, a takáto nepovolená úprava má za následok stratu nárokov vyplývajúcich zo záruky. Informácie o schválených prídavných zariadeniach vám poskytne špecializovaný predajca výrobkov značky STIHL.

Zakázané sú najmä akékoľvek zmeny na stroji s cieľom zvýšiť výkon, resp. otáčky elektromotorov.

Na stroji nemožno vykonávať žiadne úpravy, ktoré by viedli k zvýšeniu úrovne emisií hluku.

Softvér prístroja sa z bezpečnostných dôvodov nesmie nikdy meniť, ani sa s ním nesmie manipulovať.

Pri používaní na verejných priestranstvách, v parkoch a športoviskách, na uliciach a v poľnohospodárskom a lesnom hospodárstve sa musí pracovať s mimoriadnou opatrnosťou.

Stroj nie je dovolené použiť na prepravu predmetov, zvierat alebo osôb, zvlášť detí.

Nikdy nedovoľte osobám, a to najmä deťom, aby sa na kosačke-robotu vozili alebo si na ňu sadali.

Pozor – nebezpečenstvo úrazu!

Kosačka-robot je určená na automatickú údržbu trávnikov. Iné použitie nie je dovolené a môže byť nebezpečné, prípadne môže zapríčiniť poškodenie stroja.

Aby sa zabránilo fyzickému úrazu používateľa, stroj sa nesmie používať napr. na nasledujúce práce (zoznam príkladov nie je úplný):

- úpravu korún krovín, živých plotov a kríkov,
- kosenie popínavých rastlín,
- údržbu trávnikov na strechách a na balkónoch,
- drvenie a rozdrobenie vetvičiek zo stromov alebo odrezkov konárov kríkov,
- čistenie chodníkov (vysávanie, vyfukovanie),
- vyrovnávanie nerovností pôdy, ako napr. krtincov.

6.2 Odev a výstroj



Noste pevnú obuv s protišmykovou podrážkou a nikdy so strojom nepracujte bosí ani napríklad v sandáloch,

- keď sa počas prevádzky priblížite k kosačke-robotu.



Pri inštalácii, údržbárskych prácach a všetkých ostatných druhoch prác na stroji a nabíjacej stanici vždy noste vhodný pracovný odev.

Nenoste voľné šaty, pretože by sa mohli zachytiť o pohybujúce sa diely stroja – to isté platí pre šperky, kravaty a šály.

Vždy noste dlhé nohavice,

- keď sa počas prevádzky priblížite k kosačke-robotu.



Počas údržbových a čistiacich prác, pri ťažovaní vodiča (natiahnutie a opätovné odstránenie vodiča) aj pri upevňovaní nabíjacej stanice vždy noste pevné rukavice.

Ruky si chráňte najmä pri všetkých

prácach na žacom noži a pri zatíkaní upevňovacích kolíkov, ako aj klinov na upevnenie nabíjacej stanice.

Ak nosí obsluha stroja dlhé vlasy, musia byť pri všetkých prácach na stroji bezpečne zopnuté a schované (šatka, čiapka atď.).



Pri zatíkaní pripínadiel a klinov na upevnenie nabíjacej stanice je potrebné nosiť ochranné okuliare.

6.3 Varovanie – nebezpečenstvo úrazu elektrickým prúdom



Pozor! **Nebezpečenstvo úrazu elektrickým prúdom!**

Z hľadiska bezpečnosti je mimoriadne dôležitý bezchybný stav sieťového kábla a sieťovej zásuvky sieťového napájacieho adaptéra. Aby sa zabránilo nebezpečenstvu zásahu elektrickým prúdom, nesmú sa používať poškodené ani predpisom nevyhovujúce prírodné káble, spojky, zásuvky, vidlice a zástrčky.

Z toho dôvodu pravidelne kontrolujte prírodné káble, či sa na nich neobjavujú známky poškodenia alebo starnutia materiálu (polámaná izolácia).

Používajte len originálny sieťový napájací adaptér.

Sieťový napájací adaptér sa nesmie používať,

– ak je poškodený alebo opotrebovaný,



– ak sú poškodené alebo opotrebované káblové vedenia. Treba skontrolovať najmä prírodný sieťový kábel, či nie je poškodený alebo opotrebovaný.

Údržbové práce a opravy sieťových káblových rozvodov a sieťového napájacieho adaptéra smú vykonávať len špeciálne vyškolení odborníci.

Nebezpečenstvo úrazu elektrickým prúdom!

Poškodený kábel nezapájajte do elektrickej siete, a pokiaľ je zapojený, kábla sa nedotýkajte.

Prírodné káblové vedenia na sieťovom napájacom adaptéri sa nesmú upravovať (napr. skracovať). Kábel medzi sieťovým napájacím adaptérom a nabíjacou stanicou sa nesmie predlžovať.

Konektor sieťového napájacieho adaptéra môžete s elektronikou nabíjacej stanice pripojiť len v suchom stave bez nečistôt.

Sieťový napájací adaptér a kábel nenechávajte trvalo položené na mokrom podklade.

Nebezpečenstvo úrazu elektrickým prúdom!

Nesmiete používať poškodené káble, spojky a konektory, ani prírodné káble, ktoré nevyhovujú predpisom.

Vždy skontrolujte dostatočné istenie sieťového vedenia.

Prírodný kábel odpájajte tak, že zástrčku vytiahnete zo sieťovej zásuvky. Nikdy neťahajte za prírodné káble.

Stroj zapájajte len do elektrickej siete vybavenej prúdovým chráničom s vybavovacím prúdom max. 30 mA. Bližšie informácie vám poskytne elektroinštalatér.

Ak sieťový napájací adaptér pripojíte k zdroju napájania umiestnenému mimo budovy, musí byť takáto zásuvka schválená na prevádzku vonku. Bližšie informácie o predpisoch platných v danej krajine vám poskytne elektroinštalatér.

Pokiaľ budete chcieť stroj napájať prúdom z elektrocentrály, dbajte na to, aby nedošlo k poškodeniu drviča v dôsledku kolísania napätia.

6.4 Akumulátor

Používajte len originálny akumulátor.

Akumulátor je určený výlučne na pevnú inštaláciu do kosačky-roboty značky STIHL. Je v nej dokonale chránený a bude sa nabíjať pri zaparkovaní kosačky-roboty do nabíjacej stanice. Je zakázané používať akékoľvek iné nabíjačky. Použitie nevhodnej nabíjačky môže viesť k zásahu elektrickým prúdom, prehriatiu alebo úniku leptavej kvapaliny z akumulátora.

Akumulátor nikdy neatvárajte.

Akumulátor nesmie nikdy spadnúť na zem.

Nepoužívajte poškodený ani deformovaný akumulátor.

Akumulátor uchovávajte mimo dosahu detí.



Nebezpečenstvo výbuchu!

Akumulátor chráňte pred priamym slnečným žiarením, vysokou teplotou a ohňom – nikdy ho nevhadzujte do ohňa.



Akumulátor používajte a skladujte iba pri teplotách od -10 °C do max. +50 °C.



Akumulátor chráňte pred dažďom a vlhkosťou – neponárajte ho do kvapaliny.



Akumulátor nevystavujte mikrovlnnému žiareniu ani vysokému tlaku.

Kontakty akumulátora nikdy neprepájajte kovovými predmetmi (nebezpečenstvo skratu). Skratom sa môže akumulátor poškodiť.

Nepoužívaný akumulátor uchovávajte v dostatočnej vzdialenosti od kovových predmetov (napr. klincov, mincí, šperkov). Nepoužívajte kovové prepravné nádoby – **nebezpečenstvo výbuchu a požiaru!**

Pri nesprávnom používaní môže z akumulátora vytiecť kvapalina – zabráňte kontaktu s ňou! Pri prípadnom kontakte opláchnite zasiahnuté miesto vodou. Ak akumulátorová kvapalina zasiahne oči, vyhľadajte i lekársku pomoc. Vytekajúca akumulátorová kvapalina môže zapríčiniť podráždenie pokožky, popáleniny a poleptanie.

Do vetracích štrbín akumulátora nevkladajte žiadne predmety.

Ďalšie bezpečnostné pokyny nájdete na stránke <http://www.stihl.com/safety-data-sheets>

6.5 Preprava stroja

Pred každou prepravou kosačky-roboty, a najmä pred jej zdvíhaním, je nutné aktivovať blokovanie stroja. (⇒ 5.2)

Stroj nechajte pred prepravou vychladnúť.

Pri nadvíhovaní a nosení stroja dávajte pozor, aby ste sa nedostali do kontaktu so žacím nožom. Kosačka-robot sa smie zdvíhať len za obe držadlá na nosenie, nikdy nesiahajte rukami pod stroj.

Zohľadnite hmotnosť stroja a v prípade potreby použite vhodné nakladacie zariadenia (zdvíhacie zariadenia).

Stroj a s ním prepravované diely (napr. nabíjacia stanica) zaistíte na ložnej ploche použitím dostatočne dimenzovaných viazacích prostriedkov (upevňovacie popruhy, laná a pod.) v upevňovacích bodoch, ktoré sú popísané v návode na obsluhu. (⇒ 21.)

Pri preprave stroja dodržujte platné regionálne zákonné predpisy, predovšetkým predpisy o bezpečnosti a zabezpečení nákladu počas transportu a spôsobe prepravy predmetov na ložnej ploche.

Akumulátor nenechávajte položený v aute a nikdy ho nevystavujte priamemu slnečnému žiareniu.

Lítiové akumulátory musia byť prepravované obzvlášť starostlivo a je pritom nutné dbať predovšetkým na to, aby nedošlo k skratu. Akumulátor transportujte len v kosačke-roboty.

6.6 Pred uvedením do prevádzky

Je potrebné zabezpečiť, aby bola každá osoba používajúca stroj dôkladne oboznámená s návodom na obsluhu.

Dodržiavajte pokyny na inštaláciu nabíjacej stanice (⇒ 9.1) a obmedzovacieho vodiča (⇒ 12.).

Obmedzovací vodič a sieťový kábel musia byť k zemi správne pripevnené, aby nespôsobili riziko zakopnutia. Nekladte

ich cez hrany (napr. chodníky, hrany dlažbových kociek). Ak ich kladiete na zem, do ktorej nie je možné zatĺcť dodané prípadné (napr. dlažbové kocky, chodníky), je potrebné použiť káblový kanál.

Správne polozenie obmedzovacieho vodiča a sieťového kábla sa musí pravidelne kontrolovať.

Prípadné vždy zatĺčte do zeme úplne celé, aby o ne nikto nezakopol.

Nabíjaciú stanicu neinštalujte na neprehľadné miesta, kde by mohla predstavovať riziko zakopnutia (napr. za roh domu).

Dokovacíú stanicu nainštalujte podľa možností mimo pracovného dosahu lezúceho hmyzu a plazov (ako napr. mravcov alebo slimákov) – vyhýbajte sa najmä oblastiam v blízkosti mravenísk a kompostovísk.

Oblasti, po ktorých sa nemôže kosačka-robot pohybovať bezpečne (napr. kvôli riziku spadnutia), je potrebné zablokovať správnym položením obmedzovacieho vodiča.

Spoločnosť STIHL odporúča používať kosačku-robotu len na trávnikoch alebo spevnených cestách (napr. dláždené cestičky).

Kosačka-robot nedokáže rozpoznať miesta, na ktorých hrozí pád, ako napr. okraje, obrubníky, bazény alebo jazierka. Ak je obmedzovací vodič položený okolo miest s potenciálnym rizikom spadnutia, je z bezpečnostných dôvodov potrebné dodržať medzi obmedzovacím vodičom a rizikovým miestom vzdialenosť viac ako **1 m**.

Pozemok, na ktorom sa má stroj používať, pravidelne kontrolujte a odstráňte z neho všetky kamene, konáre, drôty, kosti a

všetky ostatné cudzie predmety, ktoré by mohli byť rotujúcim nožom stroja vymrštené.

Po nainštalovaní obmedzovacieho vodiča je z kosenej plochy nutné odstrániť najmä všetky nástroje. Z povrchu trávnik je potrebné vytiahnuť a odstrániť zlomené alebo poškodené pripínadlá.

Na ploche určenej na kosenie pravidelne kontrolujte rovnomernosť povrchu a odstraňujte prípadné nerovnosti.

Stroj nikdy nepoužívajte, ak sú bezpečnostné zariadenia poškodené alebo ak nie sú namontované.

Bezpečnostné zariadenia, ktoré sú nainštalované na stroji, sa nesmú odstrániť ani inak vyradiť z činnosti.

Pred použitím stroja je potrebné vymeniť všetky chybné, ako aj opotrebované a poškodené diely. Nečitateľné alebo poškodené výstražné a bezpečnostné symboly na stroji sa musia obnoviť. Náhradné nálepky, ako aj všetky ostatné náhradné diely vám poskytne špecializovaný predajca výrobkov STIHL.



Nebezpečenstvo poranenia!

Opotrebované alebo poškodené diely (napr. tupé nože) môžu negatívne ovplyvniť bezpečnosť prístroja a spôsobiť zranenia používateľa.

Pred uvedením stroja do prevádzky je potrebné skontrolovať,

- či je stroj v riadnom prevádzkovom stave. To znamená, že klapka a ochranné zariadenia sú tam, kde majú byť, a sú v bezchybnom stave.

- či je nabíjacia stanica v riadnom prevádzkovom stave. Pritom musia byť kryty a ochranné zariadenia na svojom mieste a v bezchybnom stave.
- či je sieťový napájací adaptér pripojený do elektrickej zásuvky nainštalovanej podľa daných predpisov.
- či je izolácia prírodného kábla a sieťovej zástrčky na sieťovom napájacom adaptéri v bezchybnom stave.
- či nie je opotrebovaný alebo poškodený celý stroj, resp. jeho diely (žacia skriňa, kapota, klapka, upevňovacie prvky, žací nôž, hriadeľ noža atď.).
- či je žací nôž a držiak noža v dobrom stave (bezpečné upevnenie bez známok poškodenia a opotrebovania). (⇒ 16.3)
- či nechýbajú žiadne skrutky, matice a iné upevňovacie súčiastky a či sú pevne dotiahnuté. Pred uvedením stroja do prevádzky je potrebné dotiahnuť uvoľnené skrutky a matice (dodržať správne uťahovacie momenty).

V prípade potreby vykonajte všetky požadované práce, resp. vyhľadajte špecializovaného predajcu. Spoločnosť STIHL odporúča špecializovaného predajcu výrobkov STIHL.

6.7 Programovanie

V súvislosti s prevádzkovou dobou záhradnej techniky s elektromotorom dodržiavajte platné miestne predpisy a naprogramujte podľa nich aj doby činnosti. (⇒ 14.3)

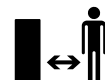
Programovanie prispôbte najmä tak, aby sa počas kosenia nevyskytovali na kosenej ploche žiadne deti, prizerajúce sa osoby ani žiadne zvieratá.

Zmena programovania pomocou aplikácie iMOW® môže viesť k aktivitám, ktoré iné osoby nebudú očakávať. Zmeny v pláne kosenia je preto nutné dopredu oznámiť všetkým osobám, ktorých sa to týka.

Kosačka-robot sa nesmie používať súčasne so zavlažovacím zariadením a tomu je potrebné prispôbiť aj jej programovanie.

Dbajte na to, aby bol na kosačke-robotе vždy nastavený správny dátum a presný čas. V prípade potreby opravte nastavenia. Nesprávne hodnoty môžu spôsobiť neželané zapnutie a presun kosačky-roboty.

6.8 Počas prevádzky



Riziko úrazu osôb, predovšetkým detí a zvierat, zdržujúcich sa v pracovnej oblasti.

Deťom nikdy nedovoľte, aby sa k kosačke-robotu priblížili ani aby sa s ňou hrali.

Začiatok procesu kosenia pomocou aplikácie iMOW® môže byť pre tretie osoby neočakávané. Osoby, ktorých sa to týka, je preto nutné dopredu informovať o novej aktivite kosačky-roboty.

Nikdy nenechávajte pracovať kosačku-robotu, ak viete, že sa v blízkosti nachádzajú zvieratá alebo osoby, a to predovšetkým deti.

Pri používaní kosačky-roboty na verejných priestranstvách sa musia okolo celej kosenej plochy rozmiestniť štítky s

nasledujúcim upozornením:
„Výstraha! Automatická kosačka!
Nepribližujte sa k stroju! Deti musia byť
pod dozorom!“



Pozor – nebezpečenstvo úrazu!

Rukami ani nohami nikdy nezasahujte do priestoru rotujúcich nožov. Nikdy sa nedotýkajte rotujúceho rezného noža.

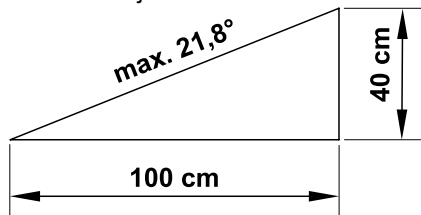
Pred búrkou, resp. v prípade rizika zásahu bleskom, odpojte sieťový napájací adaptér od elektrickej siete. V takom prípade sa kosačka-robot nesmie uvádzať do prevádzky.

Kosačka-robot so zapnutým elektromotorom sa nikdy nesmie prevrátiť ani zdvíhať.

Pokým jeden z elektromotorov pracuje, nikdy sa nepokúšajte meniť nastavenia stroja.

Z bezpečnostných dôvodov sa stroj nesmie používať na svahoch s väčším stúpaním než 21,8° (40 %).

Nebezpečenstvo úrazu! 21,8° Sklon svahu zodpovedá vertikálnemu prevýšeniu o hodnotu 40 cm pri horizontálnej vzdialenosti 100 cm.



Pamätajte na to, že po vypnutí motora trvá ešte niekoľko sekúnd, než sa rezný nástroj prestane otáčať.

Počas aktívnej prevádzky stroja stlačte tlačidlo **STOP** (⇒ 5.1)

- pred otvorením klapy.
- Zapnite **blokovanie stroja** (⇒ 5.2),
- pred nadvihnutím a prenášaním stroja,
 - pred prepravovaním stroja,
 - pred uvoľňovaním zablokovaného mechanizmu alebo pred odstraňovaním upchatí,
 - pred vykonávaním prác na žacom noži,
 - pred kontrolou alebo čistením stroja,
 - ak kosačka-robot narazí do cudzieho telesa alebo začne nadmerne silno vibrovať. V takýchto prípadoch skontrolujte stroj, predovšetkým reznú jednotku (nôž, hriadeľ noža, držiak noža), či nie je poškodená. Skôr ako opätovne naštartujete stroj a začnete s ním pracovať, vykonajte potrebné opravy.



Nebezpečenstvo úrazu!

Silné vibrácie sú zvyčajne prejavom poruchy.

Kosačka-robot sa nesmie uviesť do prevádzky, najmä ak má poškodený alebo deformovaný hriadeľ noža alebo žací nôž.

V prípade nedostatku odborných vedomostí sa obráťte na odborníka, ktorý vykoná potrebné opravy (spoločnosť STIHL odporúča špecializovaného predajcu výrobkov STIHL).

Pred ponechaním stroja bez dozoru je potrebné upraviť bezpečnostné nastavenia kosačky-robotu tak, aby ju nemohli uviesť do prevádzky neoprávnené osoby. (⇒ 5.)

Stroj a jeho periférne príslušenstvo pri obsluhu nenakláňajte, vždy dbajte na dodržanie rovnováhy a pevnej stability na svahoch a nikdy nebežte.

Nikdy neprevádzkujte stroj v blízkosti otvoreného ohňa.

6.9 Údržba a opravy

Pred začiatkom čistenia, opráv a údržby zapnite blokovanie stroja a kosačku-robotu postavte na pevný a rovný podklad.



Pred všetkými prácami na nabíjacej stanici a obmedzovacom vodiči odpojte sieťovú zástrčku napájacieho adaptéra od siete.



Pred všetkými údržbárskymi prácami nechajte kosačku-robotu na cca 5 minút vychladnúť.

Prívodný sieťový kábel smie opravovať, resp. vymieňať výhradne oprávnený odborný elektroinštalatér.

Po všetkých prácach na stroji je pred opätovným uvedením do prevádzky potrebné skontrolovať a v prípade potreby aj korigovať programovanie kosačky-robotu. Predovšetkým je potrebné nastaviť dátum a presný čas.

Čistenie:

Celý stroj sa musí v pravidelných intervaloch dôkladne vyčistiť. (⇒ 16.2)

Prúdom vody (najmä z vysokotlakového čističa) nikdy nestriekajte na časti motora, tesnenia, elektrosúčiastky ani ložiská. Mohlo by to mať za následok poškodenia, resp. nákladné opravy. Stroj nikdy neumývajte tečúcou vodou (napr. zo záhradnej hadice). Nepoužívajte žiadne agresívne čistiace prostriedky. Tieto čistiace prostriedky by mohli poškodiť

plastové a kovové diely, a tým negatívne ovplyvniť bezpečnú prevádzku vášho stroja od spoločnosti STIHL.

Údržbárske práce:

Je možné vykonávať len tie údržbárske práce, ktoré sú popísané v návode na použitie, všetky ďalšie práce je potrebné nechať vykonať špecializovaným predajcom.

Ak nemáte potrebné odborné vedomosti a pomôcky, obráťte sa **vždy** na odborného predajcu.

Spoločnosť STIHL odporúča nechať vykonávať všetky údržbárske práce a opravy len u špecializovaného predajcu STIHL.

Odborní predajcovia STIHL budú pravidelne ponúkať školenia a poskytovať technické informácie.

Používajte len náradie, príslušenstvo alebo prídavné zariadenia, ktoré sú pre tento stroj schválené firmou STIHL alebo sú technicky rovnocenné, ináč môže vzniknúť nebezpečenstvo poranenia osôb alebo poškodenia stroja. V prípade otázok sa obráťte na špecializovaného predajcu.

Vlastnosti originálneho náradia, príslušenstva a náhradných dielov STIHL sú optimálne zladené so strojom a so všetkými požiadavkami užívateľa. Originálne náhradné diely STIHL môžete poznať podľa objednávacieho čísla náhradných dielov STIHL, podľa nápisu STIHL a prípadne podľa značky, označujúcej náhradné diely STIHL. Na malých dieloch môže byť toto označenie aj samostatne.

Samolepiace informačné a výstražné symboly na stroji udržiavajte vždy čisté a čitateľné. Poškodené alebo stratené nálepky vymeňte za nové originálne. Tieto nálepky Vám vymení Váš špecializovaný

predajca STIHL. Pri výmene určitého dielu za nový dbajte na to, aby bol tento nový diel opatrený tou istou nálepkou.

Práce na reznom ústrojenstve stroja vykonávajte len v ochranných rukaviciach a s maximálnou opatnosťou.

Udržiavajte pevné dotiahnutie všetkých skrutiek a matic, predovšetkým všetkých skrutiek a upevňovacích prvkov nožovej jednotky, aby bola zaistená bezpečná prevádzka stroja.

Pravidelne kontrolujte celkové opotrebovanie a poškodenie stroja, predovšetkým pred uskladnením stroja na dlhšiu dobu (ako napr. zimná prestávka). Opotrebované alebo poškodené diely stroja z bezpečnostných dôvodov včas vymeňte. Tým zaistíte, aby bol stroj vždy v bezpečnom prevádzkyschopnom stave.

Pokiaľ musel byť na účely údržby stroja demontovaný niektorý diel alebo niektoré ochranné zariadenie, musia sa tieto diely neodkladne a podľa predpisu namontovať späť.

6.10 Uskladnenie pri dlhších prevádzkových prestávkach

Pred skladovaním

- nabite akumulátor, (⇒ 15.7)
- nastavte najvyšší bezpečnostný stupeň, (⇒ 11.16)
- Uvedenie kosačky-robota do zimného spánku. (⇒ 11.17)

Ubezpečte sa, že stroj je chránený pred nedovoleným použitím (napr. deťmi).

Stroj skladujte v riadnom prevádzkovom stave.

Stroj pred uskladnením (napr. na zimnú prestávku) dôkladne očistite.

Predtým, než stroj odložíte do uzavretej miestnosti, nechajte ho približne 5 minút vychladnúť.

Skladovacie priestory musia byť suché, chránené pred mrazom a uzamykateľné.

Stroj nikdy neskladujte v blízkosti otvoreného ohňa ani zdrojov vysokého tepla (napr. sporák či pec).

6.11 Likvidácia

Odpadové materiály môžu ľuďom, zvieratám a životnému prostrediu spôsobiť škody, preto sa musia odbornou zneškodniť.

Potrebné informácie o odbornej likvidácii odpadových materiálov môžete získať v miestnom recyklačnom stredisku alebo u špecializovaného predajcu. Spoločnosť STIHL odporúča špecializovaného predajcu výrobkov STIHL.

Zabezpečte, aby bol nepotrebný stroj odovzdaný do špecializovanej zberne na účely správnej likvidácie odpadu. Stroj pred likvidáciou zneškodnite tak, aby bol nepoužiteľný. Aby sa zabránilo možným úrazom, odstráňte predovšetkým sieťový kábel sieťového napájacieho adaptéra a akumulátor kosačky-robota.

Nebezpečenstvo úrazu žacím nožom!
Nenechávajte bez dozoru ani kosačku na trávu, ktorá je vyradená z prevádzky. Zaistite, aby bol stroj a najmä žací nôž uskladnený mimo dosahu detí.

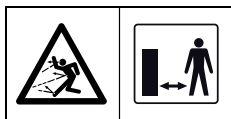
Akumulátor sa musí odpájať osobitne a nie spolu so strojom. Je potrebné zaistiť bezpečnú a ekologickú likvidáciu akumulátorov.

7. Popis symbolov



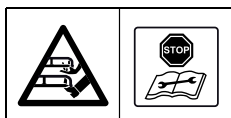
Upozornenie!

Pred uvedením do prevádzky si prečítajte návod na obsluhu.



Výstraha!

Počas prevádzky udržiavajte od stroja bezpečný odstup. Riziko úrazu osôb zdržujúcich sa v pracovnej oblasti.



Výstraha!

Nikdy sa nedotýkajte rotujúceho rezného noža.

Výstraha!

Pred nadvihnutím stroja, resp. pred vykonávaním prác na stroji, ho najskôr zaistíte proti spusteniu.



Výstraha!

Nevystupujte ani nesadajte na stroj.



Výstraha!

Nikdy sa nedotýkajte rotujúceho noža.



Varovanie!

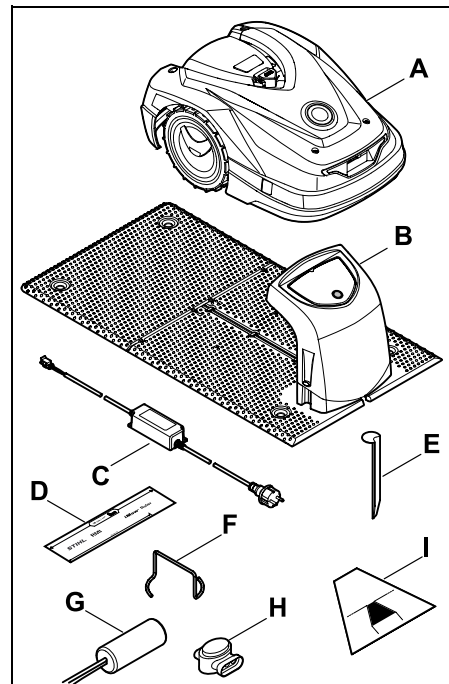
Počas kosenia držte deti vo vzdialenosti od stroja a kosenej plochy.



Varovanie!

Počas kosenia držte psy a iné domáce zvieratá vo vzdialenosti od stroja a kosenej plochy.

8. Rozsah dodávky



Ozn.	Názov	ks
A	Kosačka-robot	1
B	Nabíjacia stanica	1
C	Sieťový napájací adaptér	1
D	iMOW® Ruler*	2
E	Klín na nabíjaciú stanicu	4
F	Sťahovák unášacieho kotúča	1
G	AKM 100	1
H	Drôtová spojka	2
I	Šablóna uličky*	1
-	Návod na obsluhu	1

* Treba vybrať obal z kartónovej vložky.

9. Úvodná inštalácia

Pre jednoduchú, rýchlu a robustnú inštaláciu dodržiavajte predpisy a upozornenia, najmä na vzdialenosť drôtu 28 cm pri položení. (⇒ 12.)

Existuje možnosť zväčšiť kosenú plochu prostredníctvom obmedzovacieho vodiča položeného bližšie k okraju. (⇒ 12.17) Pre bezpečnejšiu funkciu treba obmedzovací vodič pri položení prispôsobiť miestnym skutočnostiam.

iMOW® Skrátaná verzia návodu

Ako pomôcka je ku kosačke-robotu priložená osobitná skrátaná verzia návodu na inštaláciu nabíjacej stanice a položení obmedzovacieho vodiča. Podrobné informácie máte k dispozícii v príslušných kapitolách v tomto návode na obsluhu. Skrátanú verziu návodu vždy používajte spolu s návodom na obsluhu kosačky-robotu.

iMOW® Skrátená verzia návodu

Zmenšené zobrazenie strany 1:



ZÁKLADNÁ INŠTALÁCIA

UMIESTNENIE INTERNEJ NABÍJACEJ STANICE A POLOŽENIE OBMEDZOVACIEHO VODIČA



POUŽÍVAJTE TENTO KRÁTKY NÁVOD LEN SPOLU S NÁVODOM NA OBSLUHU VAŠEJ ROBOTICKEJ KOSAČKY.

1. Pred inštaláciou vytvorte si náčrt záhrady.
2. Na vhodné miesto nainštalujte nabíjaciu stanicu a nabite pomocou nej kosačku iMOW®.
3. Stlačením tlačidla „OK“ aktivujete kosačku iMOW® a postupujte podľa pokynov až po bod „Položenie vodiča“.
4. Na určenie vzdialenosti použite, iMOW® Ruler a šablónu uličky.
5. Pokračujte v inštalácii bodom „Pripojenie vodiča“ a podľa pokynov dokončíte celý postup.

! Robotické kosačky STIHL iMOW® spĺňajú všetky platné bezpečnostné štandardy. Napriek tomu platí: Robotická kosačka iMOW® má je žiadna hračka. Počas dšb činnosti robotickej kosačky iMOW® sa nesmú v blízkosti pracovnej oblasti zdržavať deti, iné osoby ani zvieratá.

Pripravné inštalačné opatrenia:

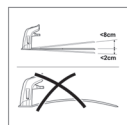
- Pred prevádzkou pokoste kosenu plochu bežnou kosačkou na výšku ≤ 6 cm.
- Kosené plochy sa nesmú prekryvať. Minimálna vzdialenosť ≥ 1 m medzi obmedzovacími vodičmi.
- Max. vzdialenosť medzi robotickou kosačkou iMOW® a obmedzovacím vodičom: 17 m.
- Nastavte výšku kosenia kosačky iMOW®. Odporúčanie: Stupeň kosenia 4.
- Odporúča sa odstrániť zdroje rušenia, ako sú napr. kovy a kovové predmety.

☑ 9/19/99

Priľuštensvo AKM 100 pre malé sžhrady:

- Pre obmedzovanie vodiče s dĺžkou kratou ako ≤ 80 m.

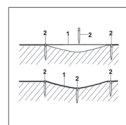
☑ 9/9



Umiestnenie nabíjacej stanice:

- V tieni, chránená, vodorovná plocha
- Vzdialenosť od zakázaných plochy: ≥ 2 m
- Odporúča sa použiť elektrickú zásuvku s prepäťovou ochranou.

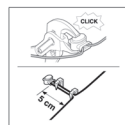
☑ 9/12/9



Položenie obmedzovacieho vodiča:

- Obmedzovací vodič (1) pološte po zemi v pravidelných odstupoch a zaistite ho upevňovacími kolíkmi (2). Pri nerovnomestach použite dodatočné upevňovacie kolíky. Vodič položte bez prekriženia.

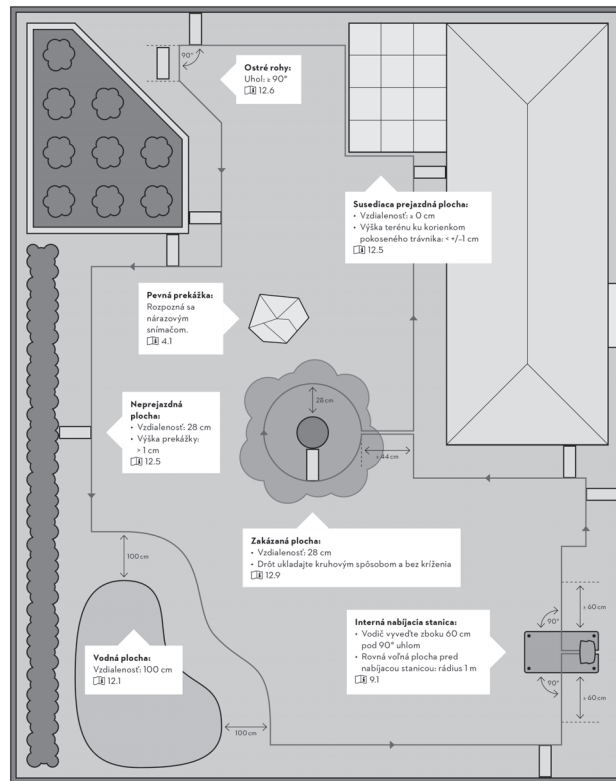
☑ 12.3



Správna inštalácia drôtových spojok:

- Vofné, neizolované konce drôtov zastrčte až na doraz do drôtových spojok. Drôtové spojky stlačte pomocou vhodných kleští - dbajte pritom na správne zaistenie spojky.

☑ 12.16



Obrázok má je v mierke

Podpora: <https://support.stihl.com/>

☑ Návod na obsluhu | → Obmedzovací vodič | ☐ iMOW® Ruler | ☐ Šablóna uličky

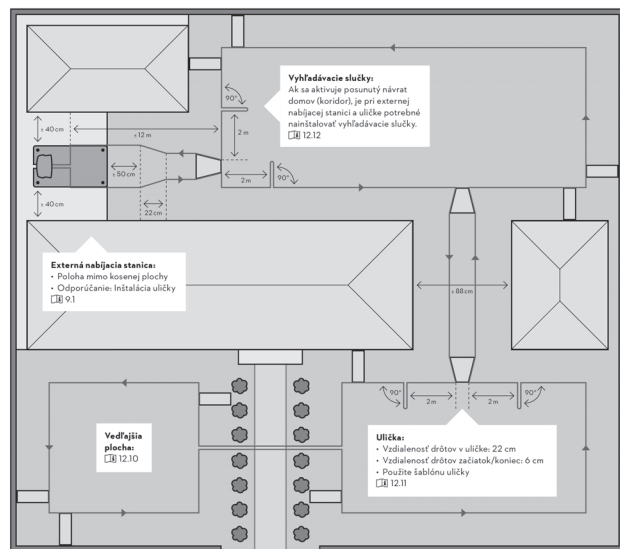
ROZŠÍRENÁ INŠTALÁCIA

UMIESTNENIE EXTERNEJ NABÍJACEJ STANICE A POLOŽENIE OBMEDZOVACIEHO VODIČA V ŠPECIÁLNYCH PRÍPADOCH



Klesajúci terén v rámci kosenej plochy:
Pri inštalácii obmedzovacieho vodiča na klesajúcom teréne (!) dodržajte minimálnu vzdialenosť od okraja terénu, aby mohla robotická kosačka automaticky a bez porúch kosť aj v oblasti s klesajúcim terénom na kosenej ploche. Vzdialenosť: 0,5 m
☐ 12.14

Východiskové body:
Kosené plochy, ktoré je možné dosiahnuť prostredníctvom uličky alebo externej nabíjacej stanice, musia mať jeden východiskový bod.
☐ 9.8/11.13/11.14/12.11



Podpora: <https://support.stihl.com/>

0477-810-1471 SK-14

Obrázok nie je v mierke

9.1 Pokyny k nabíjacej stanici

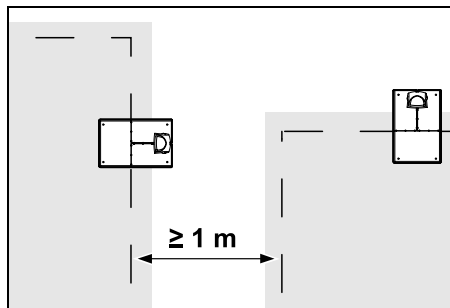
Požiadavky na miesto nabíjacej stanice:

- **chránené, tienené.**
Na priamom slnečnom svetle môže dôjsť k zvýšeniu teploty v stroji a predĺženiu času potrebného na nabitie akumulátora. Na nabíjaciu stanicu môžete namontovať slnečnú strechu, ktorá je dostupná ako príslušenstvo. Vďaka nej bude kosačka-robot lepšie chránená pred poveternostnými vplyvmi.
- **prehľadné.**
Nabíjacia stanica musí byť na zvolenom stanovisku dobre viditeľná, aby nepredstavovala riziko zakopnutia.
- **v bezprostrednej blízkosti vhodnej zásuvky.**
Sieťová prípojka môže byť vzdialená od nabíjacej stanice iba tak, že prípadné elektrické káble môžu byť pripojené tak k nabíjacej stanici, ako aj k elektrickej sieti, elektrický kábel sieťového zdroja nesmie byť upravený. Odporúča sa nabíjačka s prepäťovou ochranou.
- **bez zdrojov rušenia.**
Kovy, oxidy železa alebo magnetické, príp. elektricky vodivé materiály alebo staré inštalácie obmedzovacieho vodiča môžu rušiť kosenie. Odporúča sa odstrániť tieto zdroje rušenia.

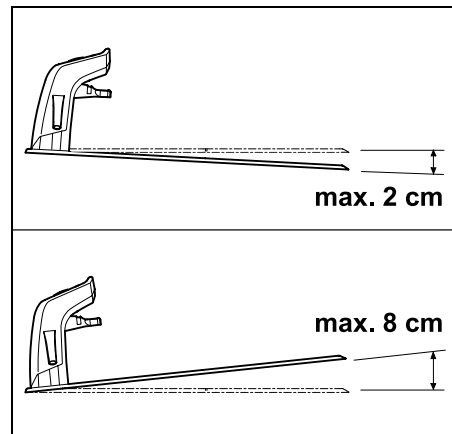
- **vodorovne a rovno.**
Nerovná pôda určujúco ovplyvňuje nabíjanie kosačky-robotu. Je potrebné dbať na to, aby bol podklad pod nabíjacou stanicou vodorovný a nevykazoval žiadne nerovnosti. V prípade potreby pôdu planírujte, príp. urovnajte.

Prípravné opatrenia:

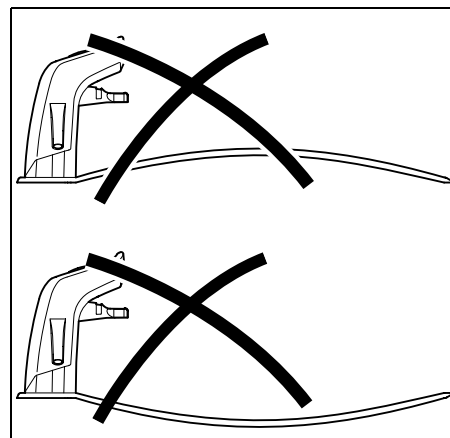
- Pred inštaláciou pokoste trávnik pomocou bežnej kosačky na trávu (optimálna výška trávy je maximálne 6 cm).
- Ak je povrch kosenej plochy tvrdý alebo suchý, mierne ho zvlhčite, aby bolo možné ľahšie zatlačiť upevňovacie kolíky.



Kosené plochy sa nesmú prekryvať. Je potrebné dodržiavať minimálnu vzdialenosť ≥ 1 m medzi obmedzovacími vodičmi dvoch kosených plôch.



Nabíjacia stanica môže byť odklonená maximálne 8 cm dozadu a 2 cm dopredu.

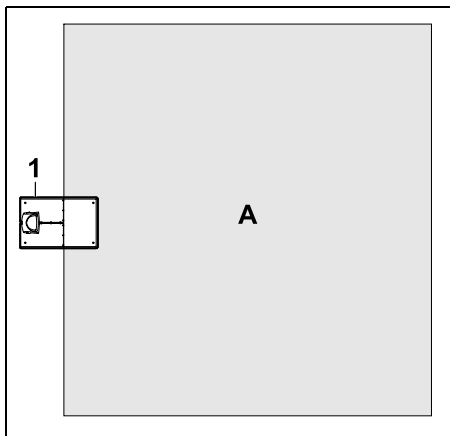


Nikdy neprehýbajte základovú dosku. Nerovnosti pod základovou doskou sa musia odstrániť, aby doska celou plochou doliehala na pôdu.

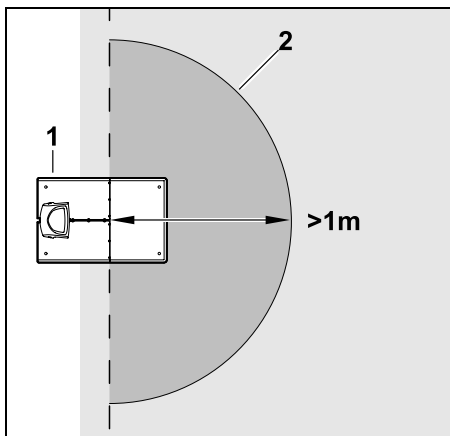
Variety inštalácie:

Nabíjaciu stanicu je možné nainštalovať interne aj externe.

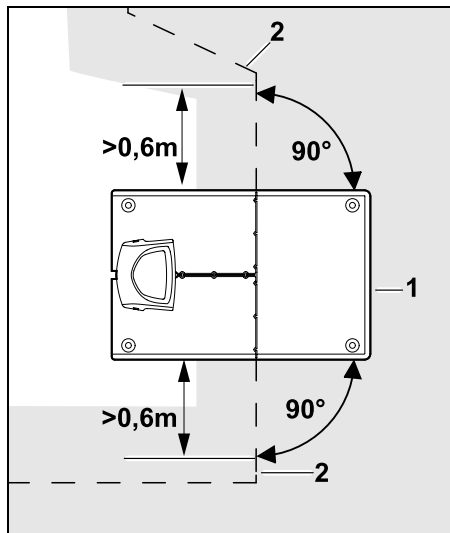
Interná nabíjacia stanica:



Nabíjacia stanica (1) sa inštaluje v rámci kosenej plochy (A) priamo na okraji.

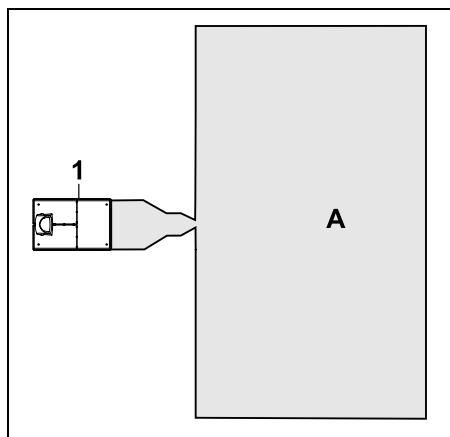


Pred nabíjacou stanicou (1) sa musí nachádzať voľná plocha (2) s polomerom aspoň 1 m. Odstráňte kopce alebo priehlbiny.



Pred a za nabíjacou stanicou (1) natiahnite obmedzovací vodič (2) rovno vo vzdialenosti **0,6 m** a v pravom uhle k základovej doske. Potom natiahnite obmedzovací vodič pozdĺž okraja kosenej plochy.

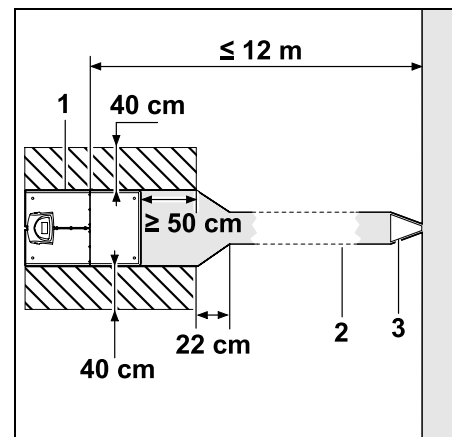
Externá nabíjacia stanica:



Nabíjacia stanica (1) sa nainštaluje mimo kosenej plochy (A).

i Pri posunutej návratovej dráhe k externej nabíjacej stanici je nutné nainštalovať **vyhľadávacie slučky**. (⇒ 12.12)

Potrebný priestor pre externú nabíjaciu stanicu:



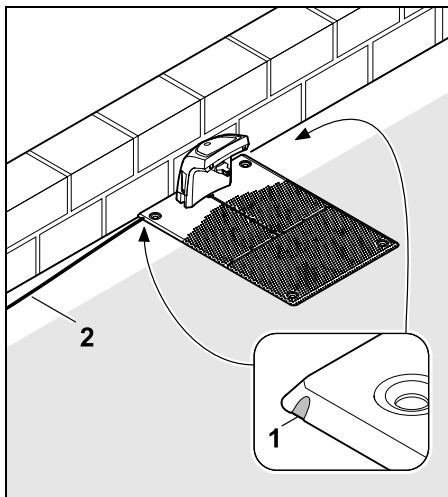
Aby pripojenie a odpojenie nabíjacej stanice fungovalo správne, je možné nainštalovať nabíjaciu stanicu (1) s uličkou (2) tak, ako je znázornené na obrázku. Oblasti v okolí nabíjacej stanice a mimo obmedzovacieho vodiča musia byť rovne a voľne prejazdne. Odstráňte kopce alebo priehlbiny.

Ulička (2) sa inštaluje pomocou šablóny uličky (3). (⇒ 12.11)

Minimálna vzdialenosť od základovej dosky k začiatku uličky: ≥ 50 cm

Šírka voľnej plochy bočne: 40 cm
Maximálny odstup od kosenej plochy: ≤ 12 m

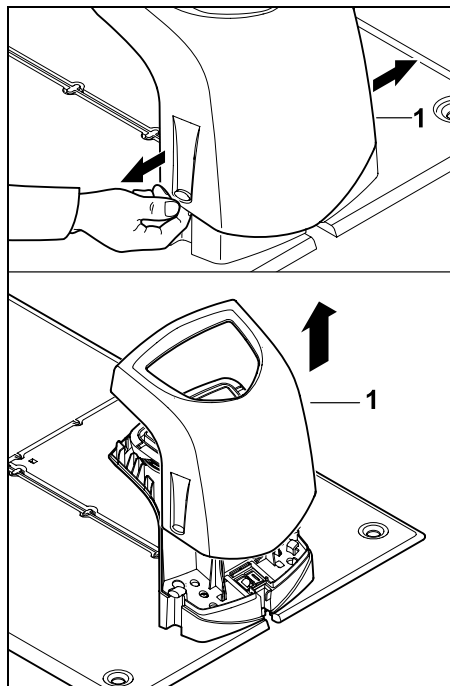
Nainštalujte nabíjaciu stanicu na stenu:



Ak sa nabíjacia stanica inštaluje na stenu, musí sa v základovej doske pomocou kombinovaných klieští voliteľne vľavo a vpravo vylomiť jedna stena (1), aby sa získalo miesto pre sieťový kábel (2).

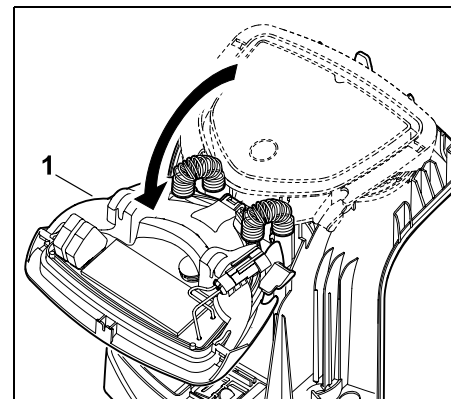
9.2 Prípojky nabíjacej stanice

Odoberte kryt:

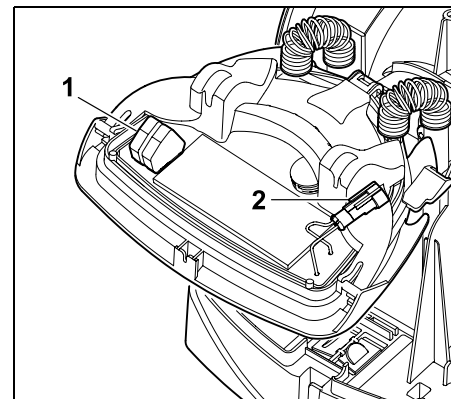


Podľa znázornenia na obrázku zľahka rozťahnite kryt (1) doľava a doprava a potiahnutím nahor ho zveste.

Vyklopenie panelu:

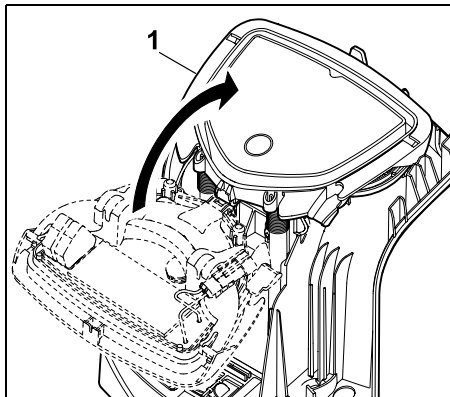


Panel (1) vyklopte smerom dopredu. Podržte panel vo vyklopenej polohe, pretože sa sám zaklápa pomocou pružín.



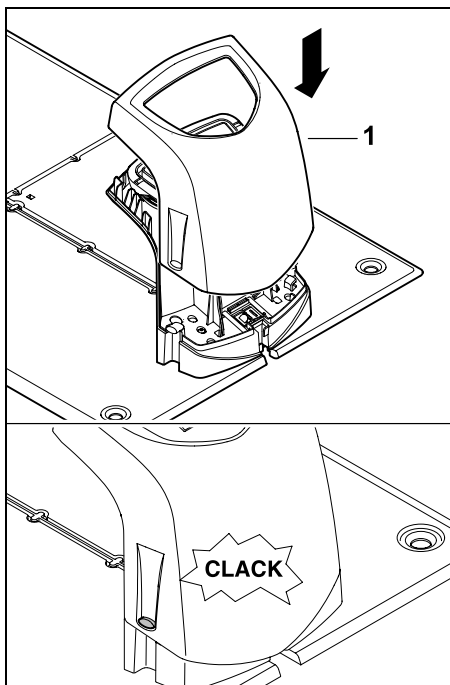
Prípojky pre obmedzovací vodič (1) a sieťový kábel (2) sú pri zatvorenom paneli chránené pred poveternostnými vplyvmi.

Zaklapnite panel:



Zaklapnite panel (1) smerom dozadu – nezacviknite žiadne káble.

Nasadenie krytu:



Nasadte kryt (1) na nabíjaciu stanicu a nechajte ho zaistiť – nepricviknite pritom žiadny z káblov.

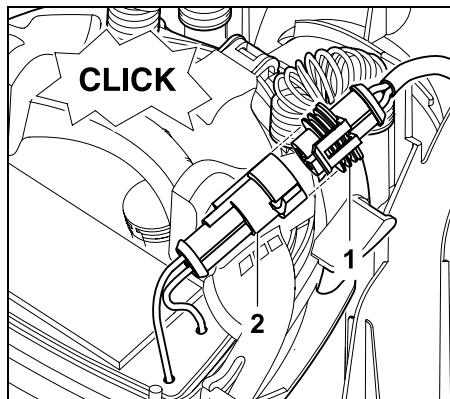
9.3 Pripojenie sieťového vedenia k nabíjacej stanici



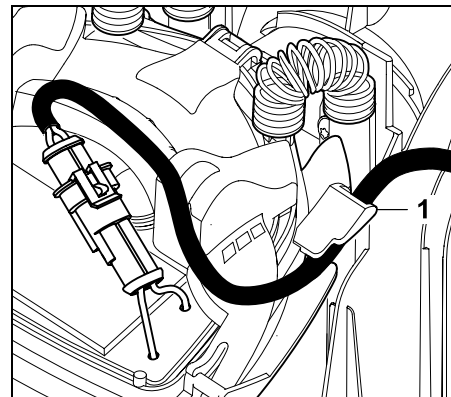
Upozornenie:

Konektor a pripájacia zásuvka musia byť čisté.

- Zveste kryt nabíjacej stanice a vyklopte panel. (⇒ 9.2)

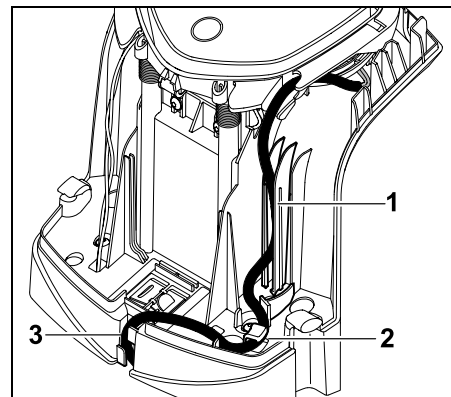


Zástrčku sieťového napájacieho adaptéra (1) zapojte do konektora nabíjacej stanice (2).



Sieťový kábel prevedte cez vedenie kábla (1) na paneli.

- Zaklapnite panel. (⇒ 9.2)

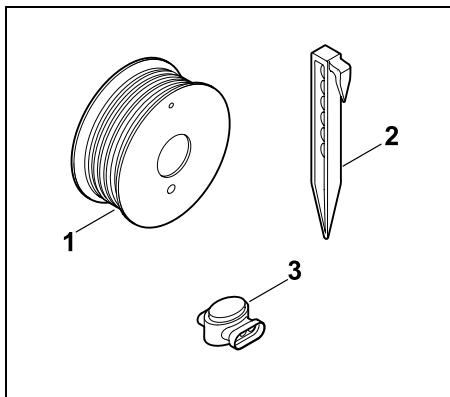


Elektrický kábel zatlačte do vedenia kábla (1) tak, ako je znázornené na obrázku a vedte ďalej cez odľahčenie napnutia elektrického kábla (2) a kanála kábla (3) k sieťovému dielu.

- Zavrite kryt nabíjacej stanice. (⇒ 9.2)

9.4 Inštalčný materiál

Ak obmedzovací vodič nepokladá pracovník špecializovaného predajcu, je na uvedenie kosačky-robotu do prevádzky potrebné použiť dodatočný inštalčný materiál, ktorý nie je súčasťou dodávky stroja. (⇒ 18.)



Inštalčné súpravy obsahujú obmedzovací vodič na kotúči (1), upevňovacie kolíky (2) a drôtové spojky (3). V rozsahu dodávky inštalčnej súpravy môžu byť zahrnuté ešte doplnkové diely, ktoré na inštaláciu nie sú potrebné.

9.5 Nastavenie výšky kosenia

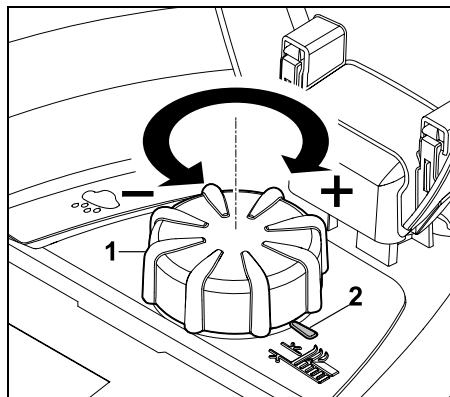
i Výšku kosenia v prvých týždňoch, dokiaľ obmedzovací vodič neobrastie tráva, nastavte minimálne na **úroveň 4**, aby sa zaručila bezpečná prevádzka.

Úrovne **S1**, **S2** a **S3** sú špeciálne výšky pre veľmi rovné kosené plochy (Nerovnosti podlahy < +/- 1 cm).

Najmenšia výška kosenia:
Úroveň S1 (20 mm)

Najväčšia výška kosenia:
Úroveň 8 (60 mm)

– Otvorte klapku. (⇒ 15.2)



Pootočte otočný gombík (1). Značka (2) ukazuje nastavenú výšku kosenia.

i Otočný gombík je možné odpojiť od nastavovacieho prvku potiahnutím smerom nahor. Táto konštrukcia je zvolená kvôli bezpečnosti (zaručuje, že stroj nemôže byť zdvihnutý a nosený za otočný gombík), resp. ochrane proti zmenám v nastavení výšky kosenia neoprávnenou osobou.

9.6 Pokyny pre úvodnú inštaláciu

Pri inštalácii kosačky-robotu máte k dispozícii sprievodcu inštaláciou. Tento program vás prevedie celým procesom úvodnej inštalácie:



- Nastavenie jazyka, dátumu a času
- Inštalácia nabíjacej stanice

- Natiahnutie obmedzovacieho vodiča
- Pripojenie obmedzovacieho vodiča
- Párovanie kosačky-robotu a nabíjacej stanice
- Kontrola inštalácie
- Programovanie kosačky-robotu
- Dokončenie úvodnej inštalácie

Proces inštalácie pomocou sprievodcu inštaláciou je potrebné vykonať úplne celý, až potom bude kosačka-robot pripravená na prevádzku.

i Po resetovaní (obnovení výrobných nastavení) stroja sa znovu spustí sprievodca inštaláciou. (⇒ 11.17)

Prípravné opatrenia:

- Pred inštaláciou pokoste trávnik pomocou bežnej kosačky na trávu (optimálna výška trávy je maximálne 6 cm).
- Ak je povrch kosenej plochy tvrdý alebo suchý, mierne ho zvlhčite, aby bolo možné ľahšie zatlačiť upevňovacie kolíky.
- Kosačka-robot musí byť aktivovaná odborným predajcom STIHL a musí byť priradená k e-mailovej adrese daného majiteľa. (⇒ 10.)

i Pri ovládaní ponúk dodržiavajte pokyny návodu v kapitole „Pokyny na ovládanie“. (⇒ 11.1)

Smerový ovládač slúži na výber možností, položiek ponuky, resp. ikon na displeji.

Stlačením tlačidla **OK** otvoríte podponuku, resp. potvrdíte svoj výber.



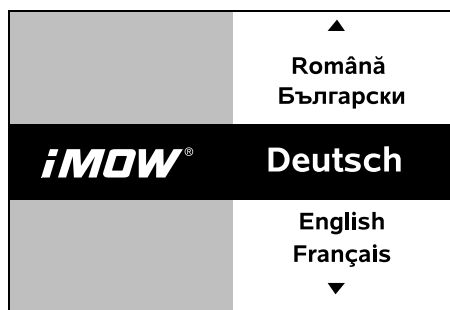
Stlačením tlačidla **Späť** ukončíte aktívnu ponuku, resp. prejdete späť na predchádzajúci krok v sprievodcovi inštaláciou.



Ak sa počas úvodnej inštalácie vyskytnú chyby alebo poruchy, zobrazí sa na displeji príslušné hlásenie. (⇒ 24.)

9.7 Nastavenie jazyka, dátumu a času

- Stlačením ľubovoľného tlačidla na displeji sa stroj aktivuje a zároveň sa spustí sprievodca inštaláciou.



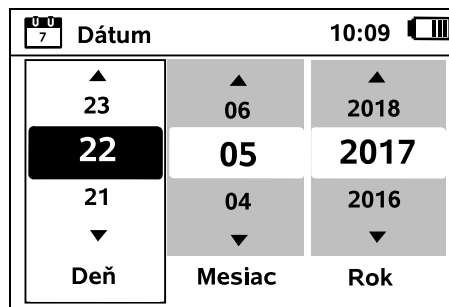
Vyberte požadovaný jazyk zobrazená na displeji a potvrdte stlačením tlačidla **OK**.



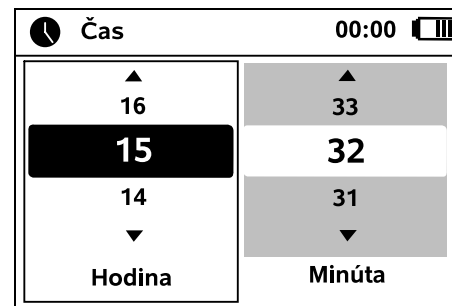
Stlačením tlačidla **OK** potvrdíte výber jazyka, resp. vyberte položku „Zmeniť“, a znovu vyberte jazyk.



- V prípade potreby zadajte 9-miestne sériové číslo kosačky-robota. Toto číslo je vyznačené na typovom štítku (pozri popis stroja). (⇒ 3.)



Pomocou smerového ovládača nastavte aktuálny dátum a potvrdte ho stlačením tlačidla **OK**.

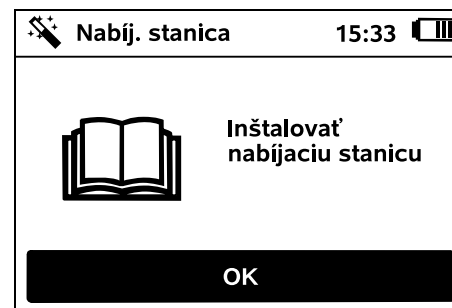


Pomocou smerového ovládača nastavte aktuálny čas a potvrdte ho stlačením tlačidla **OK**.

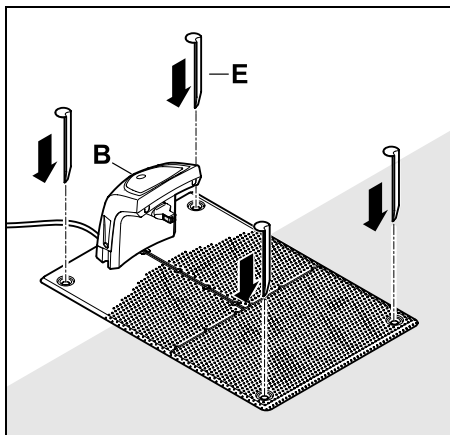


9.8 Inštalácia nabíjacej stanice

i Dodržujte kapitolu „Pokyny k nabíjacej stanici“ (⇒ 9.1) a príklady inštalácie (⇒ 27.) v tomto návode na obsluhu.



- Pripojte elektrický kábel na nabíjacej stanici. (⇒ 9.3)
- Pri inštalácii nabíjacej stanice na stene položte kábel prúdu pod základovú dosku. (⇒ 9.1)



i **Poznámka:**
Zatlčte stanový kolík do pôdy tak, že sa základová doska nabíjacej stanice nebude ohýbať.

Nabíjaciu stanicu (B) upevnite na zvolenom mieste pomocou štyroch klinov na upevnenie (E).

- Sieťový napájací adaptér nainštalujte mimo kosenej plochy, na mieste chránenom pred priamym slnečným žiarením, vlhkosťou a mokrom – v prípade potreby ho upevnite na stenu.

! Sieťový napájací adaptér dosahuje správnu funkciu iba pri **okolitej teplote** v rozmedzí od **0 °C** do **40 °C**.

- Všetky elektrické káble natiahnite mimo kosenej plochy, predovšetkým mimo pracovného dosahu žacieho noža, pripevnite ich na pôdu alebo uložte do káblového kanála.
- Elektrický kábel v blízkosti nabíjacej stanice nenavíjajte do kľbka, aby ste predišli rušeniu drôtového signálu.

- Potom pripojte sieťovú zástrčku.

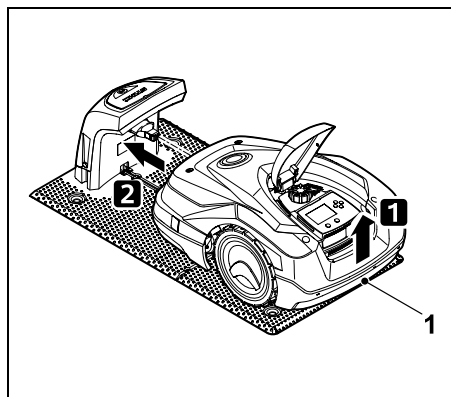
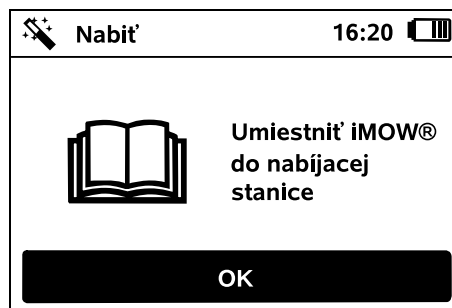
i Pokiaľ sa nepripojí žiadny obmedzovací vodič, bude na nabíjacej stanici blikať červený ukazovateľ LED. (⇒ 13.1)

- Po dokončení všetkých úkonov stlačte tlačidlo OK.

OK

i **V prípade externej nabíjacej stanice:**

Po ukončení úvodnej inštalácie stanovte aspoň jeden východiskový bod mimo uličky k nabíjacej stanici. Frekvenciu spúšťania definujte tak, aby 0 z 10 fáz kosenia (0/10) štartovalo pri nabíjacej stanici (východiskový bod 0). (⇒ 11.14)



Pomocou držadla na nosenie (1) mierne nadvihnite kosačku-robota na odľahčenie hnacích kolies. Stroj nakloňte na predné kolesá a odtlačte ho po nich do nabíjacej stanice.

Potom stlačte tlačidlo OK na displeji.

i Ak je vybitý akumulátor, po zaparkovaní do nabíjacej stanice sa v pravom hornom rohu displeja zobrazí namiesto symbolu akumulátora symbol sieťovej zástrčky a akumulátor sa počas natiahnutia obmedzovacieho vodiča nabije. (⇒ 15.7)

OK

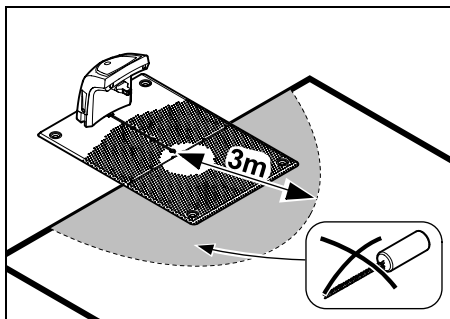


9.9 Natiahnutie obmedzovacieho vodiča

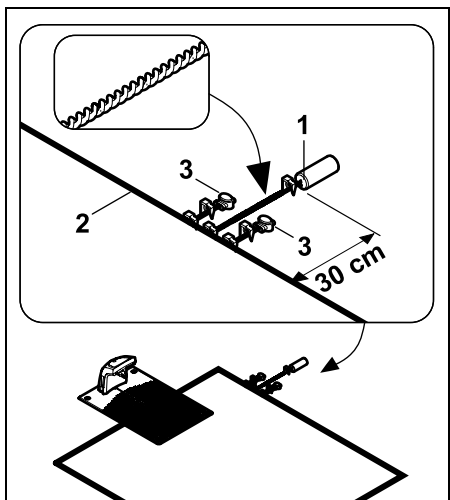
i Pred natiahnutím obmedzovacieho vodiča si prečítajte a dodržujte celú kapitolu „Obmedzovací vodič“. (⇒ 12.)

Predovšetkým **naplánujte** natiahnutie drôtu, dodržiavajte **vzdialenosti drôtov** a počas ňahovania nainštalujte aj **zakázané plochy, rezervné dĺžky drôtu, prepájacie dráhy, vedľajšie plochy a uličky**.

Pri menších kosenej plochách s dĺžkou drôtu menej ako 80 m sa musí nainštalovať dodané **AKM 100** spolu s obmedzovacím vodičom. Pri drôtoch s nižšou dĺžkou blikať na nabíj. stanici SOS a vyššie sa hlásenie Žiadny drôtový signál.



Nainštalujte AKM 100 s minimálnou vzdialenosťou 3 m k nabíj. stanici.



Pomocou pripínadla upevnite AKM 100 (1) vo vzdialenosti 30 cm mimo kosenej plochy. Skrúťte konce drôtu až po kosenu plochu a upevnite ich pomocou pripínadla.

Prerežte obmedzovací vodič (2) a spojte konce pomocou drôtovej spojky (3) s koncami obmedzovacieho vodiča AKM 100 (⇒ 12.16). Spájacie kusy vľavo a vpravo upevnite pomocou pripínadiel tak, ako je znázornené na obrázku.

i Používajte len originálne upevňovacie kolíky a originálny obmedzovací vodič. Inštalčné súpravy obsahujúce potrebný inštalčný materiál sú dostupné ako príslušenstvo u špecializovaného predajcu výrobkov značky STIHL. (⇒ 18.)

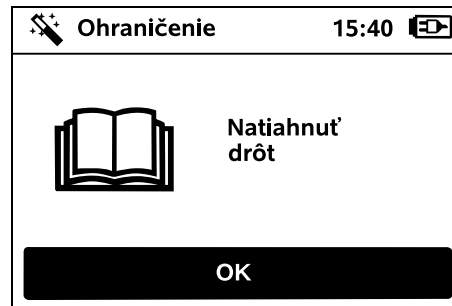
Zaznačte polohu drôtu do záhradného náčrtu. Obsah náčrtu:

- **Obrys kosenej plochy** s dôležitými prekážkami, hranicami a možnými zakázanými plochami, v ktorých nesmie kosačka-robot pracovať. (⇒ 27.)
- Poloha **nabíjacej stanice** (⇒ 9.1)
- Poloha **obmedzovacieho vodiča**
Obmedzovací vodič zakrátko zarastie do zeme a nebude ho vidno. Poznačte si najmä polohu drôtu okolo prekážok.
- Poloha **drôtovej spojky**
Použitie drôtovej spojky nebude po krátkom čase vidno. Ich polohu si treba poznačiť, aby ste ich v prípade potreby mohli vymeniť. (⇒ 12.16)

Obmedzovací vodič sa musí položiť v jednej súvislej slučke okolo celej kosenej plochy.

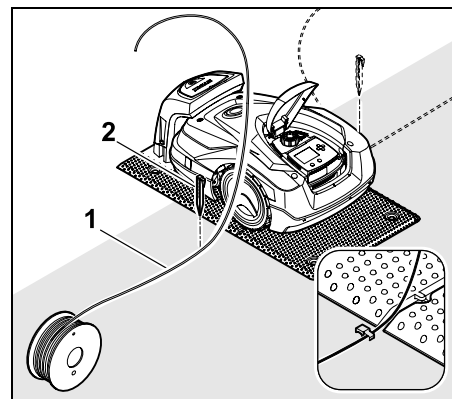
Maximálna dĺžka: **500 m**

i Kosačka-robot nesmie byť v žiadnom bode vzdialená od obmedzovacieho vodiča viac ako 17 m, pretože v opačnom prípade už nie je možné rozpoznať drôťový signál.

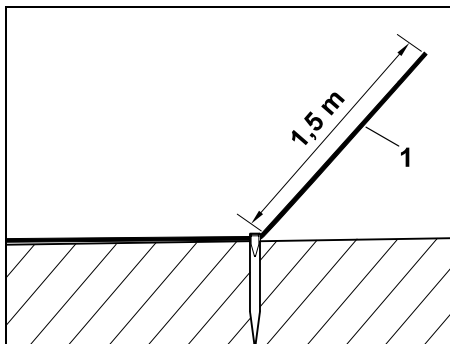


Obmedzovací vodič položte vychádzajúc z nabíjacej stanice. Treba pritom rozlišovať medzi **internou nabíjacou stanicou** a **externou nabíjacou stanicou**.

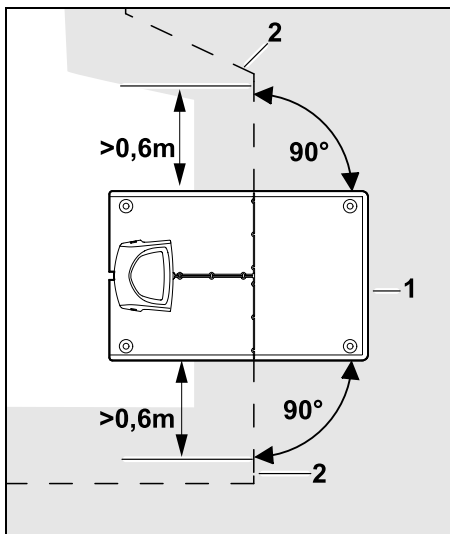
Štart pri internej nabíjacej stanici:



Pripevnite k zemi obmedzovací vodič (1) **vľavo** alebo **vpravo** vedľa základovej dosky, hneď vedľa vývodu drôtu pomocou upevňovacieho kolíka (2).



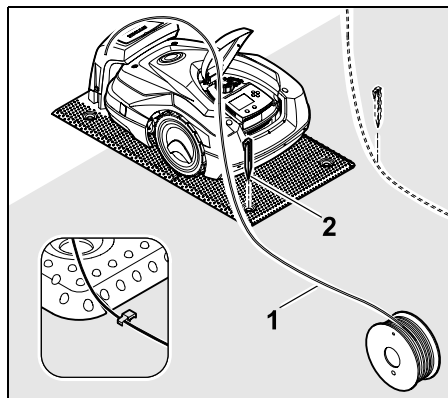
Na drôte nechajte voľný jeden koniec (1) s dĺžkou cca **1,5 m**.



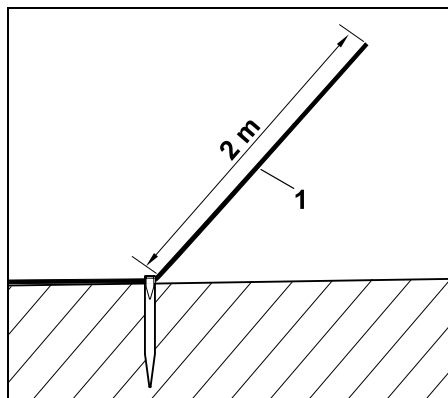
Pred a za nabíjacou stanicou (1) natiahnite obmedzovací vodič (2) rovno vo vzdialenosti **0,6 m** a v pravom uhle k základovej doske. Potom natiahnite obmedzovací vodič pozdĺž okraja kosenej plochy.

i Pokiaľ sa využíva funkcia posunutého návratu domov (koridor), musí sa obmedzovací vodič uložiť pred a za nabíjaciu stanicu aspoň **1,5 m** rovno a v pravom uhle k základovej doske. (⇒ 11.13)

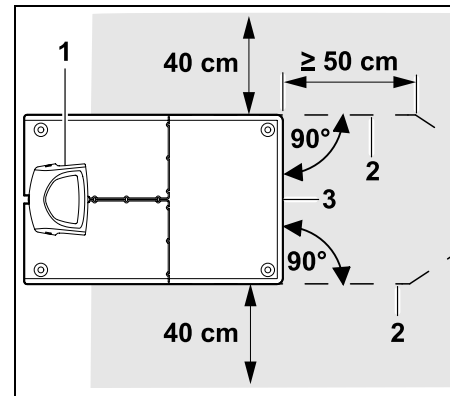
Štart pri externej nabíjacej stanici:



Pripevnite k zemi obmedzovací vodič (1) **vľavo** alebo **vpravo** za základovou doskou, hneď vedľa vývodu drôtu pomocou upevňovacieho kolíka (2).



Na drôte nechajte voľný jeden koniec (1) s dĺžkou cca **2 m**.

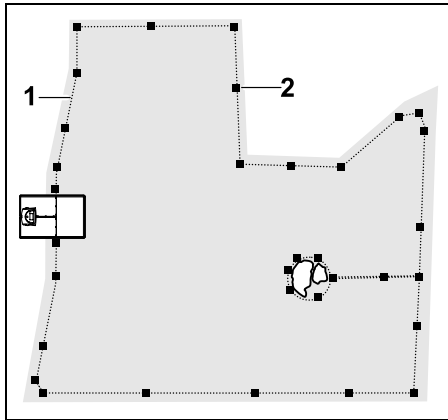


Pred a za nabíjacou stanicou (1) natiahnite obmedzovací vodič (2) s odstupom 50 cm v pravom uhle k základovej doske. Následne je možné nainštalovať uličku (⇒ 12.11) alebo obmedzovacím vodičom nasledovať okraj kosenej plochy.

Na strane vedľa základovej dosky (3) musí byť voľne prejazdňá plocha s minimálnou šírkou 40 cm.

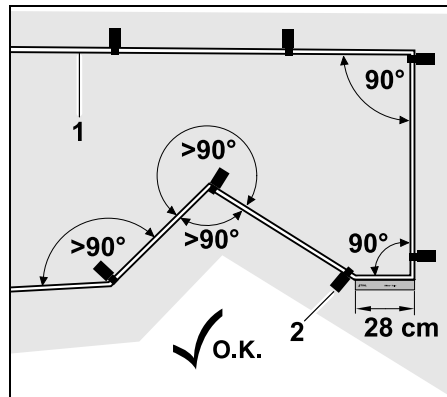
i Ďalšie informácie ohľadom inštalácie externej napájacej stanice sú uvedené v kapitole „Príklady inštalácie“. (⇒ 27.)

Natiahnutie vodiča v kosenej ploche:



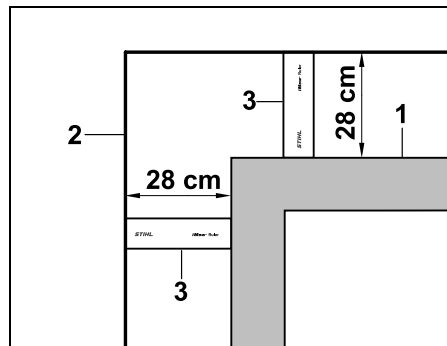
Obmedzovací vodič (1) natiahnite okolo kosenej plochy a prípadne aj okolo vyskytujúcich sa prekážok (⇒ 12.9) a pripevnite ho k zemi pomocou upevňovacích kolíkov (2). Vzdialenosti skontrolujte pomocou iMOW® Ruler. (⇒ 12.5)

i Kosačka-robot nesmie byť v žiadnom bode vzdialená od obmedzovacieho vodiča viac ako 17 m, pretože v opačnom prípade už nie je možné rozpoznať drôtový signál.



Drôt nepokladajte do veľmi ostrých uhlov (menšie ako 90°). V rohoch trávniku s ostrým tvarom pripevnite obmedzovací vodič (1) k zemi podľa znázornenia na obrázku pomocou upevňovacích kolíkov (2). (⇒ 12.6)

Za 90° roh sa musí položiť minimálna dĺžka iMOW® Ruler skôr, ako sa nainštaluje ďalší roh.

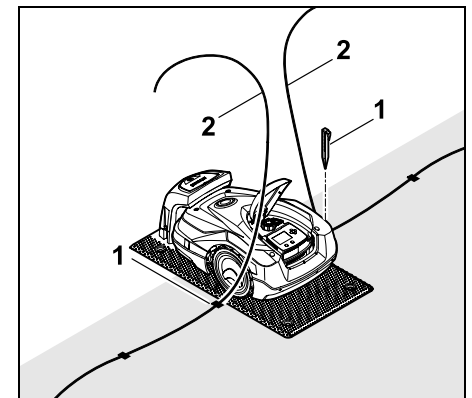


Pri ňaťahovaní okolo vysokých prekážok, ako sú rohy múrov alebo vyvýšené záhony (1), sa v rohoch musí dodržať vzdialenosť drôtov, aby sa kosačka-robot nezachytávala na prekážkach.

Obmedzovací vodič (2) natiahnite pomocou iMOW® Ruler (3) podľa znázornenia na obrázku.

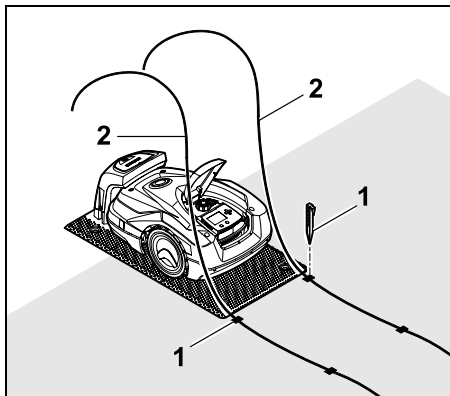
- Obmedzovací vodič môžete v prípade potreby predĺžiť pomocou dodaných drôtových spojok. (⇒ 12.16)
- Pri viacerých vzájomne prepojených kosenej plochách nainštalujte vedľajšie plochy (⇒ 12.10), resp. pospájajte kosenej plochy prostredníctvom uličiek. (⇒ 12.8)

Posledný upevňovací kolík pri internej nabíjacej stanici:



Posledný upevňovací kolík (1) zatlačte do zeme znovu naľavo, resp. napravo vedľa základovej dosky hneď vedľa vývodu drôtu. Voľné konce obmedzovacieho vodiča (2) skráťte na asi 1,5 m.


Posledný upevňovací kolík pri externej nabíjacej stanici:



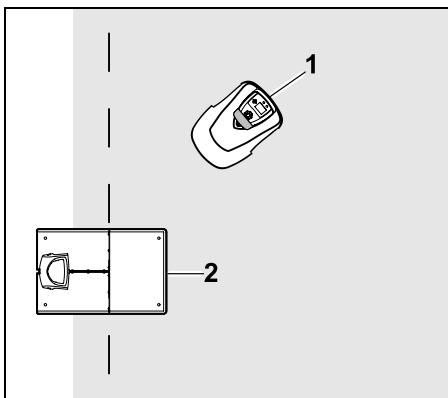
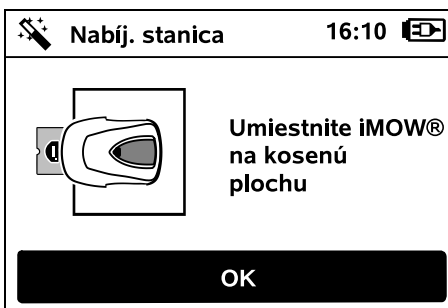
Posledný upevňovací kolík (1) zatlačte do zeme znovu vľavo alebo vpravo za základovou doskou hneď vedľa vývodu drôtu. Voľné konce obmedzovacieho vodiča (2) skráťte na asi 2 m.

Ukončenie polozenia drôtu:

- Skontrolujte upevnenie obmedzovacieho vodiča na zemi. Ako približná hodnota bude postačovať jeden upevňovací kolík na meter. Obmedzovací vodič musí vždy ležať na ploche trávniku. Upevňovacie kolíky zatlačte do zeme celé.
- Po dokončení všetkých úkonov stlačte tlačidlo OK. OK

 Ak nabitie akumulátora nepostačuje na vykonanie zvyšných krokov sprievodcu inštaláciou, zobrazí sa príslušné hlásenie. V tom prípade nechajte kosačku-robot stáť v nabíj. stanici a ďalej nabíjajte akumulátor. Skok do ďalšieho kroku sprievodcu inštaláciou pomocou tlačidla OK je možný až vtedy, keď sa dosiahne potrebné napätie akum.

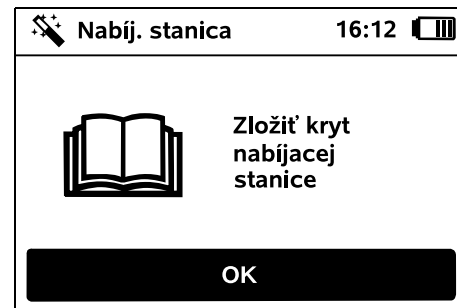
9.10 Pripojenie obmedzovacieho vodiča



Kosačku-robotu (1) odstavte podľa znázornenia na obrázku mimo nabíjacej stanice (2) v rámci kosenej plochy, potom stlačte tlačidlo OK. OK

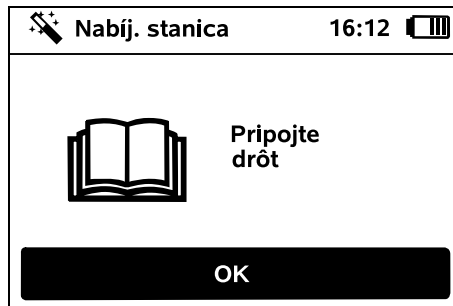


Odpojte zástrčku sieťového napájacieho adaptéra od elektrickej siete, potom stlačte tlačidlo OK. OK

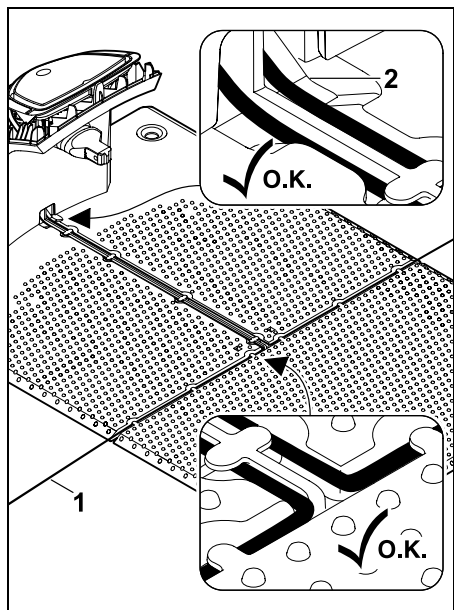


Odoberte kryt. (⇒ 9.2)

Stlačte tlačidlo OK.

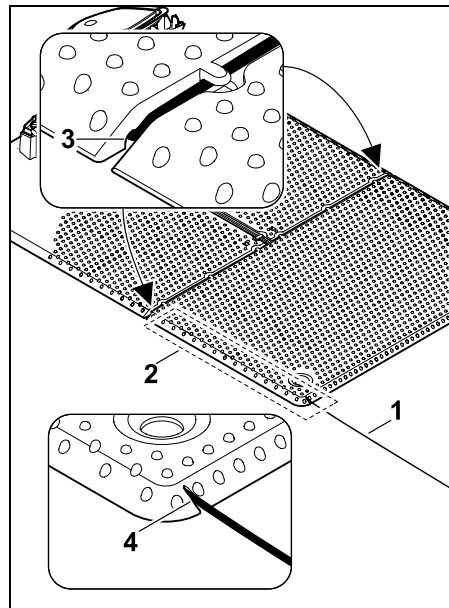


Obmedzovací vodič pri internej nabíjacej stanici:

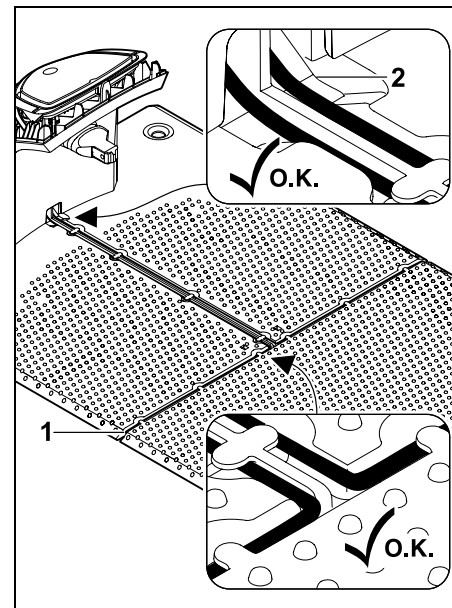


Obmedzovací vodič (1) založte do vodiacich drážok v základovej doske a prevlečte cez podstavec (2).

Obmedzovací vodič pri externej nabíjacej stanici:



Obmedzovací vodič (1) v oblasti (2) položený pod základovou doskou. Na to nasadte drôt do vývodov drôtu (3, 4) – v prípade potreby uvoľnite klíny.



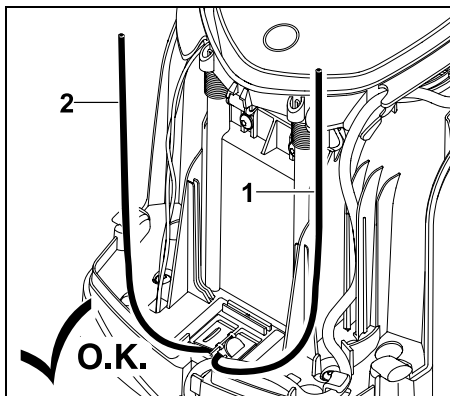
Obmedzovací vodič (1) založte do vodiacich drážok v základovej doske a prevlečte cez podstavec (2).

Pripojenie obmedzovacieho vodiča:

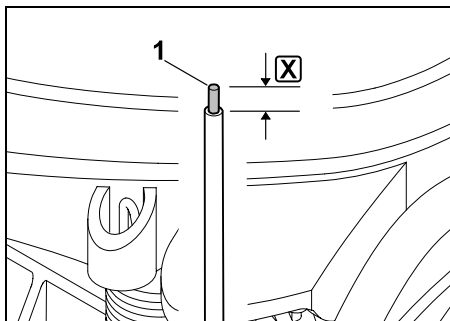


Upozornenie:

Dbajte na čisté kontakty (nehrdzavé, neznečistené...).

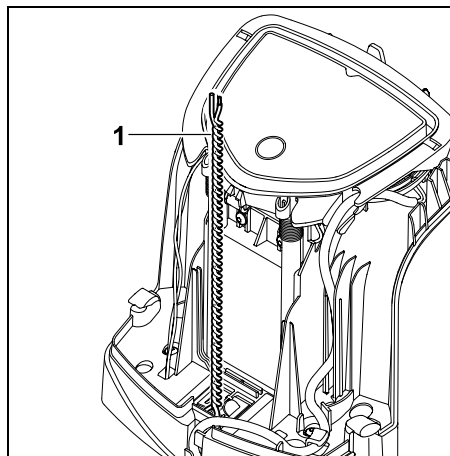


Ľavý koniec drôtu (1) a pravý koniec drôtu (2) skráťte na rovnakú dĺžku. Dĺžka od vývodu drôtu po koniec drôtu: **40 cm**



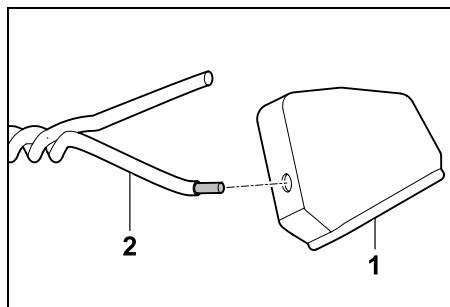
Ľavý koniec drôtu (1) odizolujte pomocou vhodného nástroja na uvedenú dĺžku **X** a skrúťte žily kábla.

X = 10-12 mm

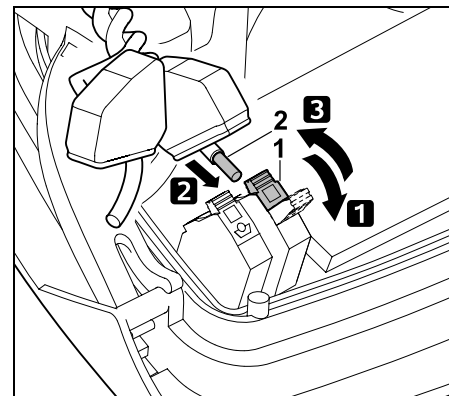


Voľné konce kábla (1) navzájom skrúťte tak, ako je znázornené na obrázku.

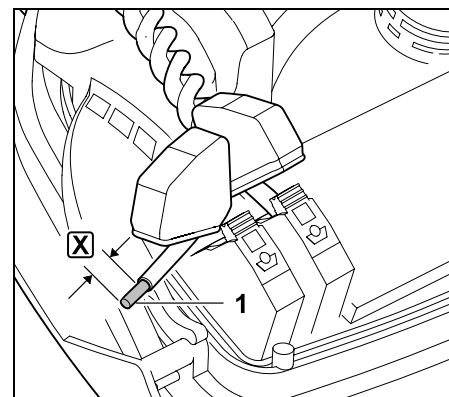
- Vyklopte panel a podržte ho. (⇒ 9.2)



Na oba konce drôtu (2) navlečte po jednej objímke (1).

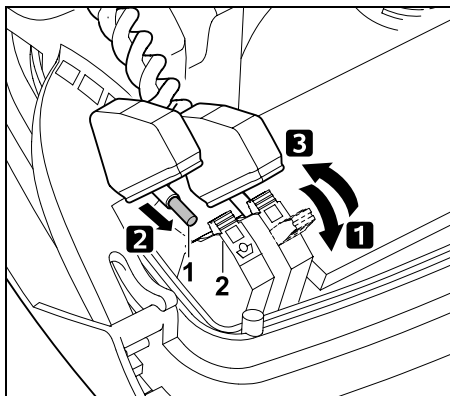


- 1** Vyklopte ľavú upínaciu páku (1).
- 2** Odizolovaný koniec drôtu (2) zaveďte do upínacej konzoly až na doraz.
- 3** Zatvorte upínaciu páku (1).

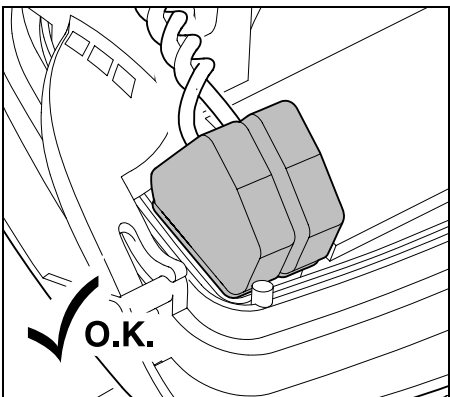


Pravý koniec drôtu (1) odizolujte pomocou vhodného nástroja na uvedenú dĺžku **X** a skrúťte žily kábla.

X = 10-12 mm



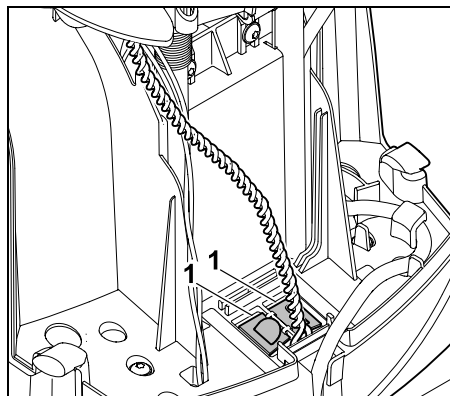
- 1** Vyklopte pravú upínaciu páku (1).
- 2** Odizolovaný koniec drôtu (2) zaveďte do upínacej konzoly až na doraz.
- 3** Zatvorte upínaciu páku (1).



Objímky vyhrňte nad upínaciu konzolu.

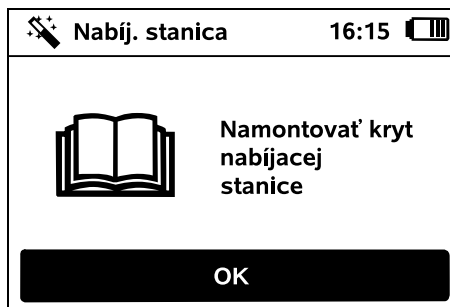
Skontrolujte uloženie koncov drôtov v upínacej konzole: Obidva konce drôtu musia byť riadne zafixované.

- Zaklapnite panel. (⇒ 9.2)



Zatvorte kryt káblového kanála (1).

- Po dokončení všetkých úkonov stlačte tlačidlo OK.



Namontujte kryt. (⇒ 9.2)

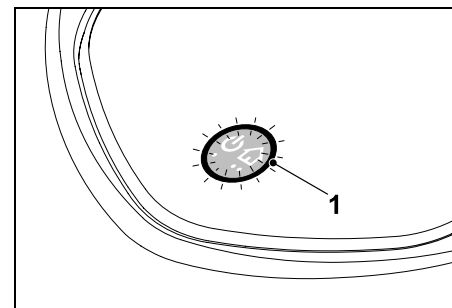
Stlačte tlačidlo OK.

OK



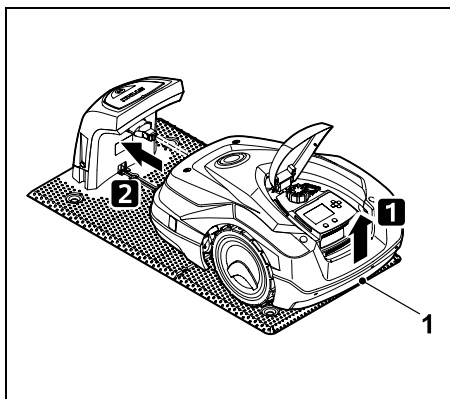
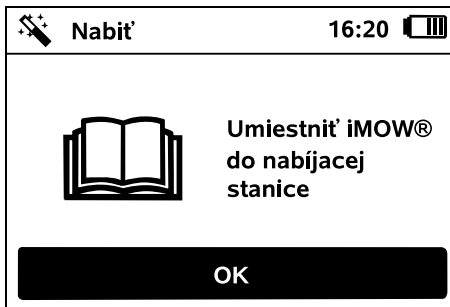
Pripojte zástrčku sieťového napájacieho adaptéra k elektrickej sieti, potom stlačte tlačidlo OK.

OK



Keď je obmedzovací vodič správne nainštalovaný a nabíjacia stanica je pripojená k elektrickej sieti, svieti ukazovateľ LED (1).

- i** Pozorne si prečítajte kapitolu „Ovládacie prvky nabíjacej stanice“, predovšetkým ak ukazovateľ LED nesvieti podľa uvedeného popisu. (⇒ 9.2)



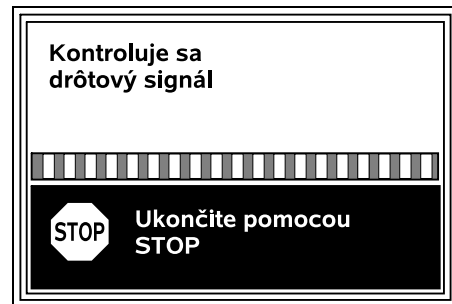
Pomocou držadla na nosenie (1) mierne nadvihnite kosačku-robota na odľahčenie hnacích kolies. Stroj nakloňte na predné kolesá a odtlačte ho po nich do nabíjacej stanice.

Potom stlačte tlačidlo OK na displeji.

i Ak je vybitý akumulátor, po zaparkovaní do nabíjacej stanice sa v pravom hornom rohu displeja zobrazí namiesto symbolu akumulátora symbol sieťovej zástrčky a akumulátor sa počas natiahnutia obmedzovacieho vodiča nabíja. (⇒ 15.7)

9.11 Párovanie kosačky-robota a nabíjacej stanice

i Kosačku-robota je možné uviesť do prevádzky až vtedy, keď náležite prijíma drôtový signál vysielaný nabíjacou stanicou. (⇒ 11.16)



Overenie drôtového signálu môže trvať niekoľko minút. Pomocou červeného tlačidla STOP navrchu stroja sa párovanie zruší a obnoví sa predchádzajúci krok v sprievodcovi inštaláciou.

Normálny príjem



Drôtový signál OK:
Na displeji sa zobrazí text „Drôtový signál OK“. Kosačka-robot je správne spárovaná s nabíjacou stanicou.



Stlačením tlačidla OK pokračujte v úvodnej inštalácii.



i Po úspešnom prepojení sa aktivuje energ. režim „Standard“. (⇒ 11.10)

Nekvalitný príjem

Kosačka-robot neprijíma **žadný drôtový signál:**
Na displeji sa zobrazí text „Žiadny drôtový signál“.



Kosačka-robot prijíma **rušený drôtový signál:**
Na displeji sa zobrazí text „Skontrol. drôt. signál“.



Kosačka-robot prijíma **prepólovaný drôtový signál:**
Na displeji sa zobrazí text „Prípojky zamenené alebo je iMOW® mimo“.



Možná príčina:

- Dočasná porucha
- Kosačka-robot nie je zaparkovaná v nabíjacej stanici
- Obmedzovací vodič so zlým zapojením pólov (prepólovaný)
- Nabíjacia stanica je vypnutá, príp. nie je pripojená k elektrickej sieti
- Chybné pripojenia zástrčiek
- Nedosiahnutá minimálna dĺžka obmedzovacieho vodiča
- Navinutý sieťový kábel v blízkosti nabíjacej stanice
- Konce obmedzovacieho drôtu sú príliš dlhé alebo sa dostatočne neskrútili
- Prerušený obmedzovací vodič
- Cudzie signály, ako napr. mobilný telefón alebo signál z inej nabíjacej stanice

- Vodivý uzemňovací kábel, železobetón alebo rušivé kovy nachádzajúce sa v pôde pod nabíjacou stanicou
- presiahnutá maximálna dĺžka obmedzovacieho vodiča (⇒ 12.1)

Náprava:

- Zopakujte párovanie bez ďalších opatrení
- Zaparkujte kosačku-robotu do nabíjacej stanice (⇒ 15.6)
- Správne zapojiť konce obmedzovacieho vodiča (⇒ 9.10)
- Skontrolujte pripojenia nabíjacej stanice k elektrickej sieti, rozviňte sieťový kábel v blízkosti nabíjacej stanice, neodkladajte kábel navinutý
- Skontrolujte uloženie koncov drôtu v upínacej konzole, príliš dlhé konce skráťte alebo skrížte konce drôtov (⇒ 9.10)
- Pri menších kosených plochách s dĺžkou drôtu menej ako 80 m sa musí nainštalovať dodané AKM 100 spolu s obmedzovacím vodičom (⇒ 9.9)
- Skontrolujte LED ukazovateľ na nabíjacej stanici (⇒ 13.1)
- Opravte prerušený vodič
- Vypnite mobilné telefóny, resp. okolité nabíjacie stanice
- Zmeňte polohu nabíjacej stanice, resp. odstráňte príčiny porúch pod nabíjacou stanicou
- Použite obmedzovací vodič s väčším priemerom (špeciálne príslušenstvo)

Po uplatnení zodpovedajúceho opatrenia zopakujte párovanie stlačením tlačidla OK.

OK

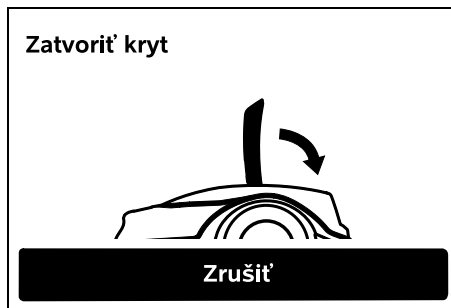
i Ak sa nepodarí dosiahnuť správny príjem drôtového signálu a vyššie uvedené opatrenia nie sú účinné, kontaktujte predajcu.

9.12 Kontrola inštalácie



Stlačením tlačidla OK spustíte prejazd po okraji – žací nôž nebude aktivovaný. **OK**

i Počas aktívnej prevádzky po prvej inštalácii prejde kosačka-robot po okraji kosenej plochy striedavo oboma smermi. Preto je potrebné skontrolovať prejazd po okrajoch pri prvej inštalácii rovnako v oboch smeroch.



Zatvorte klapku kosačky-robotu. (⇒ 15.2) Kosačka-robot sa pri zatvorenej klapke samostatne zapne a jazdí pozdĺž hrany obmedzovacieho vodiča.

i Prostredníctvom prejazdu po okraji bude definovaná **domov. oblasť** kosačky-robotu. (⇒ 14.5)

Ak kosačka-robot pred spustením prejazdu po okraji neprijíma signál GPS, na displeji sa zobrazí text „Čakať na signál GPS“. Ak sa nezachytí žiadny signál GPS, po niekoľkých minútach kosačka-robot aj napriek tomu spustí prejazd po okraji. Neskôr treba vykonať funkciu „Testovať okraj“ (⇒ 11.13), aby bolo možné použiť ochranu GPS, pretože inak nebude definovaná žiadna domov. oblasť.



Počas jazdy stroja popri okraji kráčajte za kosačkou-robotom a dbajte na to,

- aby kosačka-robot prechádzala po okraji kosenej plochy podľa plánu,
- aby boli správne dodržané odstupky od prekážok a ohraničenia kosenej plochy,
- aby kosačka správne vychádzala aj vchádzala do nabíjacej stanice.

Na displeji sa zobrazí prejdená vzdialenosť – tento údaj v metroch je nutný pre nastavenie **východiskových bodov** na okraji kosenej plochy. (⇒ 11.14)

- Na požadovanom mieste si prečítajte a poznačte príslušnú hodnotu. Východiskový bod nastavte ručne po prvej inštalácii.

Prejazd po okraji sa vypne automaticky pri strete s prekážkami alebo prejdením cez svahy s príliš veľkým sklonom, resp. ho vypnete ručne stlačením tlačidla STOP.

- Ak sa prejazd po okraji preruší automaticky, upravte polohu obmedzovacieho vodiča, resp. odstráňte prekážky.
- Pred pokračovaním v prejazde po okraji skontrolujte polohu kosačky-robotu. Stroj sa musí nachádzať buď na obmedzovacom vodiči, alebo v rámci kosenej plochy prednou stranou otočenou smerom k obmedzovaciemu vodiču.

Pokračovanie po prerušení:

Po prerušení môžete pokračovať v prejazde po okraji výberom možnosti OK.

i Spoločnosť STIHL odporúča nepreušovať prejazd po okraji. Pri prejazde popri okraji kosenej plochy alebo pri pripojení stroja k nabíjacej stanici sa môže stať, že nebude možné identifikovať prípadné problémy.

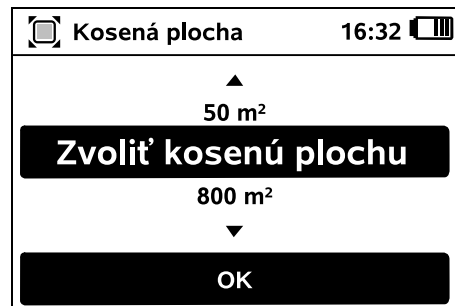
Prejazd po okraji je v prípade potreby možné vykonať po úvodnej inštalácii znovu. (⇒ 11.13)

Po prejdení celého okruhu okolo kosenej plochy sa kosačka-robot odstaví v nabíjacej stanici. Potom sa objaví vyžiadanie, či sa má spustiť druhý okruh v opačnom smere.

Automatické ukončenie prejazdu po okraji:

Nabitie po dlhom úplnom okruhu, príp. odmietnutie opačného prejazdu po okraji vyžiada ďalší krok asistenta inštaláciou.

9.13 Programovanie kosačky-robotu



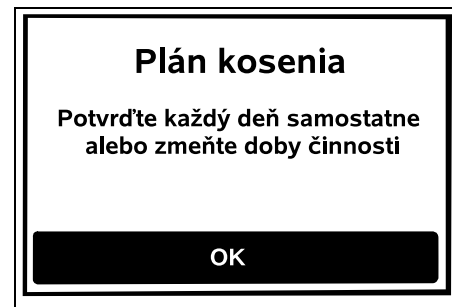
Zadajte veľkosť kosenej plochy a stlačte tlačidlo OK.



i Nainštalované zakázané plochy, resp. vedľajšie plochy sa nezapočítavajú do veľkosti kosenej plochy.



Vypočítava sa nový plán kosenia. Proces je možné zrušiť stlačením červeného tlačidla STOP na vrchnej strane stroja.



Stlačením tlačidla OK potvrdíte upozornenie „Potvrďte každý deň samostatne alebo zmeňte doby činnosti“.





Zobrazia sa doby činnosti z pondelka a aktivuje sa položka ponuky **Potvrdiť doby činnosti**.





Tlačidlom OK potvrdíte všetky doby činnosti pre zobrazený deň, potom sa zobrazí ďalší deň.




 Pri malých kosených plochách nebude potrebné kosiť každý deň v týždni. V tomto prípade sa nezobrazia žiadne doby činnosti, položka ponuky „Vymazať všetky doby činnosti“ preto nebude aktívna. Dni, ktoré neobsahujú doby činnosti, tiež potvrdíte tlačidlom OK.

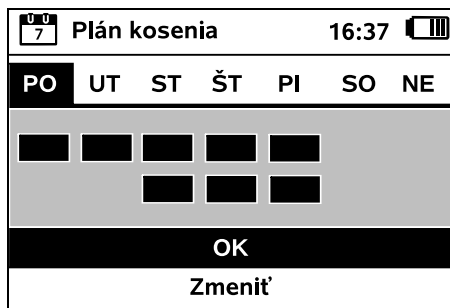
Zobrazené **doby činnosti** je možné zmeniť. Na tento účel vyberte pomocou smerového ovládača požadovaný časový interval a otvorte ho stlačením tlačidla OK. (⇒ 14.3) 


Ak si želáte pridať dodatočné doby činnosti, vyberte položku ponuky **Nová doba činnosti** a otvorte ju stlačením tlačidla OK. V okne výberu zadajte čas začiatku a skončenia novej doby činnosti a potvrdte ho stlačením tlačidla OK. Na jeden deň je možné nastaviť max. tri doby činnosti. 

Ak chcete odstrániť všetky zobrazené doby činnosti, vyberte položku ponuky **Vymazať všetky doby činnosti** a potvrdte ju stlačením tlačidla OK. 




Po potvrdení dôb činností pre nedeľu sa zobrazí plán kosenia. 




Stlačením tlačidla OK potvrdíte zobrazený plán kosenia a následne sa aktivuje záverečný krok sprievodcu inštaláciou. 


Ak sú potrebné nejaké zmeny, vyberte položku **Zmeniť** a individuálne prispôbte jednotlivé doby činnosti.


 Počas dôb činnosti sa v nebezpečnej oblasti nesmú nachádzať žiadne osoby. Je potrebné príslušne upraviť doby činnosti. Rešpektujte okrem toho aj miestne predpisy týkajúce sa používania kosačiek-robotov, ako aj upozornenia v kapitole „Pre vašu bezpečnosť“ (⇒ 6.) a v prípade potreby upravte v ponuke „Plán kosenia“ doby činnosti okamžite alebo po dokončení úvodnej inštalácie. (⇒ 11.7) Na príslušnom úrade si predovšetkým overte, počas ktorých hodín cez deň a v noci sa smie stroj používať.

9.14 Dokončenie úvodnej inštalácie

 Z kosenej plochy odstráňte všetky cudzie predmety (napr. hračky, náradie).



Úvodnú inštaláciu dokončíte stlačením tlačidla OK. 

 Po úvodnej inštalácii je aktívny bezpečnostný stupeň „Žiadny“.

Odporúčanie:

Nastavte bezpečnostnú úroveň „Nízka“, „Stredná“ alebo „Vysoká“. Tým je zaručené, že neoprávnené osoby nebudú môcť zmeniť nastavenia a nebude možné uviesť kosačku-robotu do prevádzky pomocou inej nabíjacej stanice. (⇒ 11.16) Navyše zapnite ochranu GPS. (⇒ 5.9)



Aby bolo možné využívať všetky funkcie kosačky-robotu, je nutné do smartfónu alebo tabletu s internetovým pripojením a prijímačom GPS nainštalovať a spustiť aplikáciu iMOW®. (⇒ 10.)

Dialógové okno zavriete stlačením tlačidla OK.



9.15 Prvý proces kosenia po prvej inštalácii

Ak sa úvodná inštalácia dokončí počas nastavenej doby činnosti, začne kosačka-robot okamžite upravovať kosenú plochu.



Ak sa úvodná inštalácia dokončí mimo nastavenej doby činnosti, je možné spustiť kosenie stlačením tlačidla OK. Ak kosačka-robot nemá kosieť trávu, vyberte možnosť „Nie“.



10. Aplikácia iMOW®

Kosačku-robotu je možné obsluhovať pomocou aplikácie **iMOW®**. Aplikácia je dostupná pre najbežnejšie operačné systémy v príslušných obchodoch s aplikáciami.



Podrobnejšie informácie sú uvedené na webovej stránke web.imow.stihl.com/systems/.



Predpisy v kapitole „Pre vašu bezpečnosť“ platia obzvlášť aj pre všetkých používateľov aplikácie **iMOW®**. (⇒ 6.)

Aktivácia:

Aby bola možná výmena údajov medzi aplikáciou a kosačkou-robotom, je nutné, aby odborný predajca aktivoval stroj spoločne s e-mailovou adresou jeho majiteľa. Na e-mailovú adresu sa odošle odkaz na aktiváciu.

Aplikáciu **iMOW®** je potrebné nainštalovať na smartfón alebo tablet s internetovým pripojením a prijímačom GPS. Prijemca e-mailu bude stanovený ako administrátor a hlavný používateľ aplikácie, má plný prístup ku všetkým funkciám.



E-mailovú adresu a heslo bezpečne uschovajte, aby bolo možné aplikáciu **iMOW®** po výmene smartfónu alebo tabletu znovu nainštalovať (napr. v prípade straty mobilného telefónu).

Tok dát:

Prenos dát z kosačky-robotu na internet (služba M2M) je zahrnutý v nákupnej cene.

Prenos dát sa nevykonáva permanentne, a preto môže niekoľko minút trvať. Z dôvodu sprostredkovania dát prostredníctvom aplikácie na internete vznikajú v závislosti od vašej zmluvy s mobilným operátorom alebo poskytovateľom internetu náklady, ktoré nesiete vy sami.



Bez pripojenia mobilného telefónu a aplikácie je ochrana GPS k dispozícii iba bez oznámení prostredníctvom e-mailu a SMS, a to bez Push správ.

Hlavné funkcie aplikácie:

- Pozrieť a spracovať plán kosenia
- Spustiť kosenie
- Zapnúť automatiku a vypnúť automatiku

- Pošlite kosačku-robotu do nabíjacej stanice.
- Zmena dátumu a času

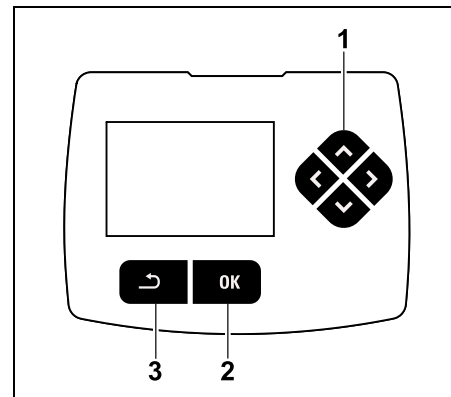


Zmena plánu kosenia, zahájenia procesu kosenia, zapnutia a vypnutia automatiky, poslania kosačky-robotu domov a zmena dátumu a času môžu viesť k aktivitám, ktoré iné osoby nebudú očakávať. Osoby, ktorých sa to týka, je preto vždy nutné dopredu informovať o možnej aktivite kosačky-robotu.

- Údaje o stroji a stanovišti kosačky-robotu

11. Ponuka

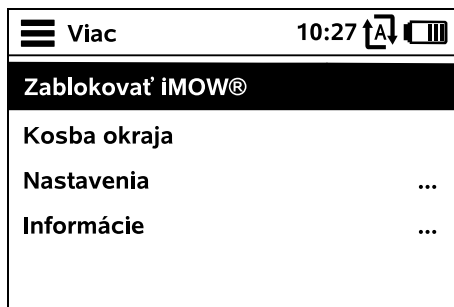
11.1 Pokyny na ovládanie



Smerový ovládač (1) tvoria štyri smerové tlačidlá. Služí na navigáciu v ponukách, pomocou tlačidla OK (2) potvrdíte nastavenia a otvoríte ponuky. Pomocou tlačidla Späť (3) môžete znova zatvárať jednotlivé ponuky.



Hlavná ponuka pozostáva zo 4 podponúk, ktoré sú znázornené vo forme ikon. Zvolená podponuka sa zvýrazní načierno a otvoríte ju stlačením tlačidla OK.



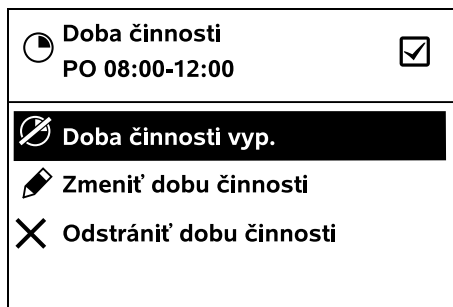
Druhá úroveň ponuky sa zobrazuje ako lišta. Podponuky je možné zvoliť stlačením smerového ovládača nahor, resp. nadol. Aktívne položky v ponuke sú zvýraznené načierno.

Rolovacia lišta na pravom okraji displeja signalizuje, že stlačením smerového ovládača nadol, resp. nahor, je možné zobrazit ďalšie položky ponuky.

Podponuky po zvolení otvoríte stlačením tlačidla OK.

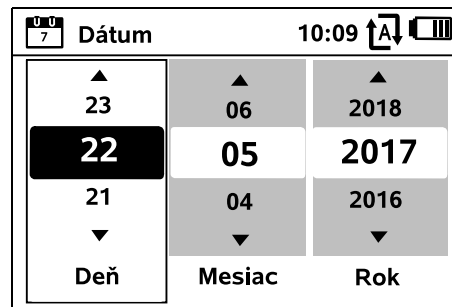


Podponuky „Nastavenia“ a „Informácie“ sú znázornené vo forme kariet. Jednotlivé karty môžete vybrať stlačením smerového ovládača doľava, resp. doprava. Požadovanú podponuku potom zvolíte stlačením krížového ovládača nadol, resp. nahor. Aktívne karty, resp. položky ponuky sú zvýraznené načierno.



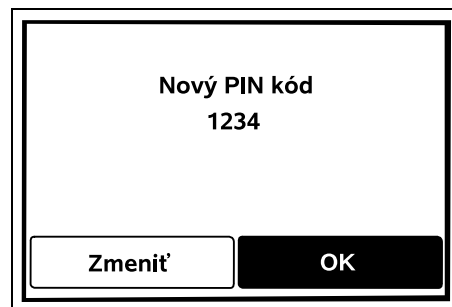
V podponukách nájdete zoznamy možností. Aktívne položky v zozname sú zvýraznené načierno. Stlačením tlačidla OK otvoríte okno výberu alebo dialógové okno.

Okno výberu:



Nastavovacie hodnoty je možné meniť stlačením smerového ovládača. Aktuálna hodnota je zvýraznená načierno. Stlačením tlačidla OK sa potvrdia všetky hodnoty.

Dialógové okno:





Ak je potrebné uložit nastavenia alebo potvrdit hlásenia, zobrazí sa na displeji dialógové okno. Aktívna ikona je zvýraznená načierno.

Ak je na výber viacero možností, je možné aktivovať príslušnú ikonu stlačením smerového ovládača doľava, resp. doprava.



Stlačením tlačidla OK potvrdíte zvolenú možnosť a prejdete do nadradenej ponuky.

11.2 Indikátor stavu

 20.06.2019 14:10	 Čas začiatku PO 10:00
 iMOW® prip.na prevádzku Automatika zapnutá	

Indikátor stavu sa zobrazí,


- keď sa stlačením niektorého z tlačidiel ukončí pohotovostný režim kosačky-robotu,
- keď v hlavnej ponuke stlačíte tlačidlo Späť,
- počas aktívnej prevádzky.

 20.06.2019 14:10	 Čas začiatku PO 10:00
--	---

Vo vrchnej časti indikátora sa nachádzajú dve konfigurovateľné polia. V nich je možné zobrazovať rôzne informácie o kosačke-robot, resp. o fázach kosenia. (⇒ 11.12)


Informácie o stave bez prebiehajúcej činnosti:

	RMI 522 C iMOW® prip.na prevádzku Automatika zapnutá Ochrana GPS Zap.
---	--

V spodnej časti indikátora sa zobrazí názov kosačky-robotu (⇒ 10.), text „iMOW® prip. na prevádzku“ spoločne so zobrazeným symbolom, stavom automatiky (⇒ 15.4) a informáciami o ochrane GPS (⇒ 5.9). 


Informácie o stave počas prebiehajúcej činnosti:


 iMOW® kosí trávnik

Počas prebiehajúceho procesu **kosenia** sa na displeji zobrazí text „iMOW® kosí trávnik“ a zodpovedajúci symbol. Textová informácia a symbol sa prispôbia procesu, ktorý je v súčasnej dobe aktívny. 


 Pozor iMOW® sa spúšťa

Pred začatím kosenia sa zobrazí text „Pozor – iMOW® sa spúšťa“ a varovný symbol.

 Okrem toho blikajúce podsvietenie displeja a zvukový signál upozorňujú na blížiaci sa spustenie žacieho motora. Žací nôž sa spustí až niekoľko sekúnd po tom, ako sa rozbehne kosačka-robot.

Kosba okraja:

Keď kosačka-robot upravuje okraj kosenej plochy, zobrazuje sa text „Okraj sa kosí“.

Odísť k nabíj. stanici:

Keď sa kosačka-robot vracia späť do nabíjacej stanice, na displeji sa zobrazuje príslušný dôvod (napr. Akumulátor vybitý, Kosenie dokončené).

Nabitie akumulátora:

Pri nabíjaní akumulátora sa zobrazuje text „Akumulátor sa nabíja“.

Prijazd na východis. body:

Ak kosačka-robot pri začiatku kosenia príde na východis. bod, zobrazí sa „Prijazd na východis. bod“.

Prijazd do požadovanej zóny:

Keď kosačka-robot pri spustení kosenia príde do požadovanej zóny, zobrazí sa text „Prijazd do požadovanej zóny“.

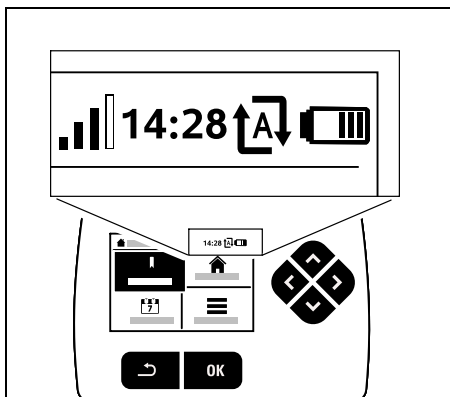
Zobrazenie hlásenia:

Mimo Umiestnite iMOW® na kosenú plochu			
1/1	14.05.2017	12:33	M1135

Chyby, poruchy alebo odporúčania sa zobrazia spoločne s varovným symbolom, údajom o dátume a časom a kódom hlásenia. Ak je aktívnych niekoľko hlásení, zobrazujú sa striedavo po sebe. (⇒ 24.)

i Ak je kosačka-robot pripravená k prevádzke, zobrazuje sa striedavo hlásenie a informácia o stave.

11.3 Informačná oblasť



V pravom hornom rohu displeja sa zobrazia tieto informácie:

1. Stav nabitia akumulátora popr. proces nabíjania
2. Stav automatiky
3. Čas
4. mobilný signál.

1. Stav nabitia:
Symbol akumulátora slúži na zobrazenie stavu nabitia.



žiadny prúžok – akumulátor vybitý
1 až 5 prúžkov – akumulátor sčasti vybitý
6 prúžkov – akumulátor plne nabitý

Počas procesu nabíjania sa namiesto symbolu akumulátora zobrazí **symbol sieťového konektora**.

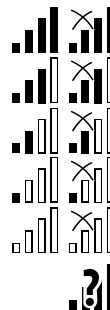


2. Stav automatiky:
Pri zapnutej automatike sa zobrazuje **symbol automatiky**.



3. Čas:
Aktuálny čas sa zobrazí v 24-hodinovom formáte.

4. Mobilný signál:
Sila signálu spojenia mobilného telefónu (GPRS) sa zobrazí vo forme 4 čiarok. Čím viac čiarok je plných, tým lepší je príjem.



Počiatočný symbol malého x popr. otáznik signalizujú chýbajúce pripojenie robotičkej kosačky k internetu.

Počas inicializácie rádiového modulu (kontrola hardvéru a softvéru – napr. po zapnutí kosačky-robotu) sa zobrazí otáznik.

11.4 Hlavná ponuka



Hlavná ponuka sa zobrazí,



- keď ukončíte indikátor stavu (⇒ 11.2) stlačením tlačidla OK,
- keď v druhej úrovni ponuky stlačíte tlačidlo Späť.

1. Štart (⇒ 11.5)



Čas kosenia
Východiskový bod
Kosiť v

2. Cesta domov (⇒ 11.6)



3. Plán kosenia (⇒ 11.7)



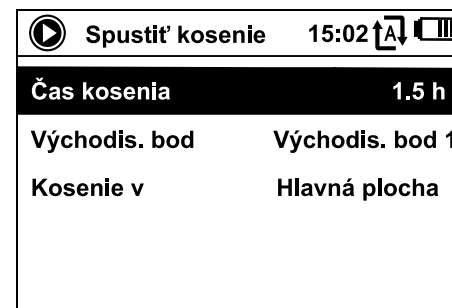
Automatický
Čas kosenia
Doby činnosti
Nový plán kosenia

4. Viac (⇒ 11.8)



zablokovať iMOW®
Kosenie okrajov
Nastavenia
Informácie

11.5 Štart



1. Čas kosenia:
Môžete určiť čas kosenia.

2. Východiskový bod:
Môžete zvoliť východiskový bod, odkiaľ kosačka-robot začne proces kosenia. Táto voľba je dostupná len vtedy, keď sú

východiskové body stanovené a keď sa kosačka-robot nachádza v nabíjajúcej stanici.

3. Kosenie v:

Môžete zvoliť kosenu plochu. Táto voľba je dostupná len vtedy, keď je nainštalovaná vedľajšia plocha.

11.6 Cesta domov

Kosačka-robot sa presunie späť do nabíjajúcej stanice a nabije akumulátor. Pri zapnutej automatike obnoví kosačka-robot úpravu kosenej plochy v najbližšej možnej dobe činnosti.



Kosačku-robotu je možné poslať späť do nabíjajúcej stanice tiež pomocou aplikácie. (⇒ 10.)

11.7 Plán kosenia

U U 7	Plán kosenia	11:02	↑↓	🔋
Automatika		Zap.		
Trvanie kosenia		18 h		
Doby činnosti		...		
Nový plán kosenia				

Automatika

Zapnutá – Automatika je zapnutá. Kosačka-robot kosí trávnik do najbližšej doby činnosti.

Vypnutá – Všetky doby činnosti sú deaktivované.

Dnes nekosiť – Kosačka-robot až do nasledujúceho dňa nejazdí automaticky. Táto voľba je dostupná len vtedy, keď sú v aktuálny deň dostupné doby činnosti.

Trvanie kosenia

Je možné nastaviť týždenné trvanie kosenia. Nastavenie je možné len v prípade typu plánu kosenia „Dynamické“. Prednastavená hodnota sa prispôsobí veľkosti danej kosenej plochy. (⇒ 14.4)

Dodržiavajte pokyny v kapitole „Prispôsobenie programovania“. (⇒ 15.3)



Trvanie kosenia je možné nastaviť aj pomocou aplikácie. (⇒ 10.)

Doby činnosti

U U 7	Plán kosenia	17:30	↑↓	🔋		
PO	UT	ST	ŠT	PI	SO	NE
■	■	■	■	■	■	■

Uložený plán kosenia sa spustí výberom z ponuky „Doby činnosti“ v ponuke „Plán kosenia“. Obdĺžnikové plošky nachádzajúce sa pod jednotlivými dňami označujú uložené doby činnosti. Počas dób činnosti označených čiernou farbou môže stroj kosiť, sivé plošky označujú doby činnosti bez fáz kosenia – napr. pri vypnutej dobe činnosti.



Ak je vypnutá automatika, je neaktívny aj celý plán kosenia a všetky doby činnosti budú označené sivou farbou.

Ak chcete upraviť doby činnosti v rámci **jedného konkrétneho dňa**, je potrebné najskôr aktivovať daný deň pomocou smerového ovládača (stlačením doľava alebo doprava) a potom otvoriť podponuku **Doby činnosti**.

U U 1	Doby činnosti	15:32	↑↓	🔋		
PO	UT	ST	ŠT	PI	SO	NE
☑	☑	☑	☑	☑	☑	☑
☑	08:00 - 12:00					
☑	13:00 - 17:00					
🔄	Nová doba činnosti					
✗	Vymazať všetky doby čin					

Počas dób činnosti označených **háčikom** je kosenie povolené a v pláne kosenia sú označené čiernou farbou.

Počas dób činnosti **bez háčika** nie je kosenie povolené a v pláne kosenia sú označené sivou farbou.



Dodržiavajte pokyny v kapitole „Pokyny pre kosenie: Doby činnosti“. (⇒ 14.3)


Je nutné dbať predovšetkým na to, aby sa počas dób činnosti nenachádzali v nebezpečnej oblasti žiadne osoby.








Doby činnosti je možné vybrať aj pomocou aplikácie. (⇒ 10.)



Uložené doby činnosti je možné vybrať a vykonať aj jednotlivito.


Položku ponuky **Nová doba činnosti** je možné zvoliť, pokiaľ sú v rámci jedného dňa uložené menej ako 3 doby činnosti. Dodatočná doba činnosti sa nesmie prekryvať s inými dobami činnosti.


Ak kosačka-robot nemá počas zvoleného dňa kosiť trávnik, vyberte položku ponuky **Vymazať všetky doby činnosti**. 


Zmeniť doby činnosti:

 Doba činnosti PO 08:00-12:00 
 Doba činnosti vyp.
 Zmeniť dobu činnosti
 Odstrániť dobu činnosti


Príkazom **Doba činnosti vyp.**, resp. **Doba činnosti zap.** sa zakáže, resp. povolí zvolená doba činnosti pre automatické kosenie. 



Pomocou príkazu **Zmeniť dobu činnosti** je možné upraviť daný časový rámec. 

Ak už zvolenú dobu činnosti nechcete používať, vyberte položku ponuky **Odstrániť dobu činnosti**. 




 Ak dané časové rámce nepostačujú na vykonanie potrebných fáz kosenia a nabíjania, je potrebné predĺžiť alebo doplniť doby činnosti, resp. skrátiť trvania kosenia. Na displeji sa zobrazí príslušné hlásenie.

Vypočítava sa

Príkazom **Nový plán kosenia** sa odstráni všetky uložené doby činnosti. Spustí sa krok „Programovanie kosačky-robot“ v rámci sprievodcu inštaláciou. (⇒ 9.13) 

 Ak nastavenie nového programu dokončíte počas aktívnej doby činnosti, po potvrdení jednotlivých denných plánov sa spustí kosačka-robot a vykoná automatické kosenie.

11.8 Viac

 Viac 10:27  
Zablokovať iMOW®
Kosba okraja
Nastavenia ...
Informácie ...

1. zablokovať iMOW®:
Blokovanie stroja aktivovať.
Na odblokovanie stlačte zobrazenú kombináciu tlačidiel. (⇒ 5.2)


2. Kosenie okraja:
Po aktivovaní pokosí kosačka-robot okraj kosenej plochy. Po vykonaní jedného okruhu sa presunie späť do nabíjacej stanice a nabije akumulátor.


3. Nastavenia (⇒ 11.9)


4. Informácie (⇒ 11.18)


11.9 Nastavenia



 Nastavenia 15:03  
    
iMOW®
Typ plánu kos Štandardný
Dažďov.senzor < "1" >
Indik. stavu

1. iMOW®: Prispôsobenie nastavení stroja  (⇒ 11.10)

2. Inštalácia: Prispôsobenie a overenie inštalácie (⇒ 11.13) 

3. Bezpečnosť: Prispôsobenie bezpečnostných nastavení (⇒ 11.16) 

4. Servis: Údržba a servis (⇒ 11.17) 

5. Pre predajcov: Ponuka je chránená **kódom predajcu**. Pomocou tejto ponuky vykonáva špecializovaný predajca rôzne údržbové a servisné úkony.  

11.10 iMOW® – nastavenia stroja

1. Typ plánu kosenia:

Štandardný: Kosačka-robot kosí trávnik počas celej doby činnosti. Fázy kosenia sa prerušia len počas procesu nabíjania. Prednastavený je Štandardný typ plánu kosenia.

Dynamický: Počet a trvanie dôb kosení a nabíjání v rámci nastavenej doby činnosti sa pritom reguluje úplne automaticky.

2. Dažďový senzor:

Dažďový senzor je možné nastaviť tak, aby sa kosenie počas dažďa prerušilo, resp. aby sa vôbec nezačalo.

- Nastavte dažďový senzor (⇒ 11.11)


3. Indikátor stavu:

Výber údajov, ktoré sa majú zobrazit' na indikátore stavu. (⇒ 11.2)

- Nastavenie indikátora stavu (⇒ 11.12)


4. Čas:

Nastavenie aktuálneho času. Nastavený čas sa musí zhodovať so skutočným časom, aby ste predišli nežiaducemu koseniu kosačkou-robotom.

 Čas je možné nastaviť aj pomocou aplikácie. (⇒ 10.)

5. Dátum:

Nastavenie aktuálneho dátumu. Nastavený dátum sa musí zhodovať so skutočným dátumom v kalendári, aby ste predišli nežiaducemu koseniu kosačkou-robotom.

 Dátum je možné nastaviť aj pomocou aplikácie. (⇒ 10.)

6. Formát dátumu:

Nastavenie požadovaného formátu dátumu.

7. Jazyk:

Nastavenie požadovaného jazyka textov na displeji. Štandardne je nastavený ten jazyk, ktorý bol nastavený aj pri úvodnej inštalácii.

8. Kontrast:

V prípade potreby je možné nastaviť kontrast displeja.

9. Energ. režim:

Pri **štandardnom** režime je kosačka-robot vždy pripojená k internetu a je dosiahnuteľná pomocou aplikácie. (⇒ 10.)

Pri režime **EKO** sa za účelom zníženia spotreby energie v pokojových fázach deaktivuje rádiokomunikácia, kosačka-robot teda pomocou aplikácie nie je dosiahnuteľná. V aplikácii sa zobrazia naposledy dostupné dáta.

11.11 Nastavenie dažďového senzora

5-úrovňový senzor nastavíte stláčaním smerového ovládača smerom doľava alebo doprava. Aktuálne nastavená hodnota je zobrazená v ponuke „Nastavenia“ vo forme prúžkového ukazovateľa.

Posunutie regulátora ovplyvňuje

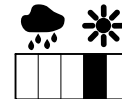
- citlivosť dažďového senzora,
- čas, ako dlho má kosačka-robot čakať, kým po daždi neuschne kosená plocha.

Pri **strednej úrovni citlivosti** je kosačka-robot pripravená na prevádzku v bežných poveternostných podmienkach.

Ak sa chystáte kosiť pri vyššej vlhkosti, posuňte prúžok na ukazovateli smerom **doľava**. Keď je prúžok úplne vľavo, kosačka-robot bude kosiť aj vo veľmi mokrych podmienkach a kosenie sa nepreruší ani v prípade, ak na senzor dopadnú kvapky dažďa.



Ak sa chystáte kosiť pri nižšej vlhkosti, posuňte prúžok na ukazovateli smerom **doprava**. Ak je prúžok nastavený úplne vpravo, kosačka-robot bude kosiť iba v úplne suchých podmienkach.



11.12 Nastavenie indikátora stavu

Ak chcete konfigurovať indikátor stavu, pomocou smerového ovládača vyberte ľavý, resp. pravý indikátor, a výber potvrdte stlačením tlačidla OK.

Stav nabitia:

Zobrazenie symbolu akumulátora spolu so stavom nabitia v percentách



Zvyšný čas:

Zostávajúce trvanie kosenia v prebiehajúcom týždni v hodinách a minútach. Toto zobrazenie je dostupné len v prípade typu plánu kosenia „Dynamické“.



Čas a dátum:

Aktuálny dátum a čas



Čas začiatku:

Štart ďalšieho naplánovaného kosenia. Pri prebiehajúcej dobe činnosti sa zobrazí text „aktívne“.



Fázy kosenia:

Počet všetkých doteraz vykonaných fáz kosenia



Prevádz. čas:

Trvanie všetkých doteraz vykonaných fáz kosenia



Úsek dráhy:

Celkovo prejdený úsek dráhy



Sieť:

Sila signálu spojenia mobilného telefónu s rozpoznanou sieťou. Malé x, popr. otáznik signalizuje chýbajúce spojenie kosačky-roboty s internetom. (⇒ 11.3), (⇒ 11.18)



Príjem GPS:

Súradnice GPS kosačky-roboty. (⇒ 11.18)



11.13 Inštalácia

1. Koridor:

Zapnúť a vypnúť posunutý návrat domov.

Pri zapnutom koridore ide kosačka-robot z vnútornej strany pozdĺž obmedzovacieho vodiča domov k nabíjacej stanici.



Ak nie je uložené žiadne mapovanie na priamu cestu domov (⇒ 11.15), vykoná sa cesta domov kosačky-roboty na okraji a budú zohľadnené nastavenia pre koridor.

Je možné vybrať **tri varianty**:

Vyp. – štandardné nastavenie

Kosačka-robot jazdí popri obmedzovacom vodiči.

Úzka – 40 cm

Kosačka-robot striedavo jazdí popri obmedzovačom vodiči alebo posunutá o 40 cm.

Široká – 40 - 80 cm

Vzdialenosť od obmedzovacieho vodiča sa náhodne vyberá pri každej ceste domov v rámci tohto koridora.



V kombinácii s externou nabíjajúcou stanicou, ako aj uličiek a zúžených miest je na posunutý návrat domov potrebné nainštalovať **vyhľadávacie slučky**. (⇒ 12.12)

Pri posunutom návrate domov dodržujte minimálnu vzdialenosť drôtov 2 m.

2. Východisk. body:

Kosačka-robot začína fázu kosenia buď pri nabíjacej stanici (štandardné nastavenie), alebo z východiskového bodu.

Je nutné definovať východiskové body,

- ak chcete kosačku cielene naviesť do niektorých oblastí kosenej plochy v prípade, že sú nedostatočne kosené,
- pokiaľ sú oblasti dosiahnuteľné iba prostredníctvom úzkeho priechodu. V týchto oblastiach kosenej plochy je nutné stanoviť najmenej jeden východiskový bod.

K východiskovým bodom môže byť pridelený **polomer**. Kosačka-robot kosí vtedy, keď proces kosenia začína v príslušnom východisk. bode, vždy najprv v rámci kruhovej plochy okolo východiskového bodu. Až potom, čo pokosí tieto oblasti kosenej plochy, proces kosenia pokračuje na zostávajúcej kosenej ploche.

- Nastavenie východiskových bodov (⇒ 11.14)

3. Priama cesta domov:

Vytvorenie interného mapovania kosenej plochy pre priamu cestu domov. (⇒ 11.15)

4. Vedľajšie plochy:

Sprístupnite vedľajšie plochy.

Neaktívne – Štandardné nastavenie

Aktívne – Nastavenie, keď sa majú kosieť



vedľajšie plochy. V ponuke „Štart“ musíte zvoliť kosenu plochu (hlavná plocha/vedľajš. plocha). (⇒ 12.10)

5. Kosenie okraja:

Stanovte frekvenciu kosby okraja.

Nikdy – Okraj sa nebude kosiť nikdy.

Raz – Štandardné nastavenie, okraj sa bude kosiť raz týždenne.

Dvakrát/Trikrát/Štyrikrát/Päťkrát –

Okraj sa bude kosiť dvakrát/trikrát/štyrikrát/päťkrát týždenne.

6. Testovať okraj:

Spustíte jazdu po okraji na kontrolu správneho polohy drôtu.

Na príslušnom prístroji sa zobrazí krok „Kontrola inštalácie“ v rámci sprievodcu inštaláciou. (⇒ 9.12)



Aby ste skontrolovali správne polohy drôtu okolo zakázaných plôch, umiestnite kosačku-robotu na kosenu plochu prednou stranou nasmerovanou k zakázanej ploche a spustíte prejazd po okraji.

Počas jazdy stroja popri okraji bude definovaná domov. oblasť kosačky-roboty. V prípade potreby bude rozšírená už uložená domov. oblasť. (⇒ 14.5)

7. Nová inštalácia:

Sprievodca inštaláciou sa znova spustí a odstráni sa existujúci plán kosenia. (⇒ 9.)

11.14 Nastavenie východiskových bodov

Na nastavenie buď


- spustíte proces určenia východiskových bodov,

alebo


- vyberte požadovaný východiskový bod a zadefinujte ho ručne.

Zapamätať východisk. body:

Po stlačení tlačidla OK prejde kosačka-robot skúšobnú jazdu pozdĺž obmedzovacieho vodiča. Ak nie je kosačka zaparkovaná v nabíjacej stanici, prejde najprv k nabíjacej stanici. Všetky aktuálne východiskové body budú vymazané.

 Počas skúšobnej jazdy stroja bude definovaná domov. oblasť kosačky-robot. V prípade potreby bude rozšírená už uložená domov. oblasť. (⇒ 14.5)

Počas tejto jazdy môžete stlačením tlačidla OK po otvorení klapky a zadefinovať max. 4 východiskové body.

 Nestláčajte tlačidlo STOP pred otvorením klapky, týmto sa preruší skúšobná jazda. Prerušenie zvyčajne je nutné len vtedy, ak je potrebné zmeniť polohu drôtu alebo odstrániť prekážky.

Prerušenie procesu zapamätania:

Ručne – stlačením tlačidla STOP.

Automaticky – prostredníctvom prekážok na okraji kosenej plochy.

- Ak sa skúšobná jazda preruší automaticky, upravte polohu obmedzovacieho vodiča, resp. odstráňte prekážky.
- Pred pokračovaním v skúšobnej jazde skontrolujte polohu kosačky-robot. Stroj sa musí nachádzať buď na obmedzovacom vodiči, alebo v rámci kosenej plochy prednou stranou otočenou smerom k obmedzovaciemu vodiču.

Ukončenie procesu zapamätania:

Ručne – po prerušení.

Automaticky – po nabíjaní.

Nové východiskové body sa po pripojení do nabíjacej stanici, resp. po prerušení uloženia pomocou OK (po otvorení klapky).

Frekvencia spúšťania:

Pomocou frekvencie spúšťania sa definuje, ako často sa má začať fáza kosenia pri východiskovom bode. Predvolené nastavenie sú 2 fázy kosenia z 10 (2/10) pri každom východiskovom bode.

- V prípade potreby môžete po zapamätaní upraviť frekvenciu spúšťania.
- Ak sa proces zapamätania ukončí predčasne, pošlite kosačku-robot do nabíjacej stanice pomocou príkazu. (⇒ 11.6)
- Okolo každého východiskového bodu po ich naučení môže byť stanovený **polomer** od 3 m až do 30 m. K uloženým východiskovým bodom štandardne nebýva pridelený nijaký polomer.

Východisk. body s polomerom:

Keď proces kosenia začína v príslušnom východiskovom bode, kosačka-robot kosí vždy najprv v rámci kruhovej plochy okolo východiskového bodu. Až potom kosí zvyšnú kosenu plochu.

Nastavenie východiskového bodu 1 až 4:

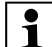
Nastavenie východiskových bodov z nabíjacej stanice a definovanie frekvencie spúšťania.

Odstránenie zodpovedá jazdnej vzdialenosti od nabíjacej stanice k východiskovému bodu v metroch, merané v smere pohybu hodinových

ručičiek.

Frekvencia spúšťania sa môže nachádzať medzi 0 z 10 kosení (0/10) a 10 z 10 kosení (10/10).

Okolo východiskového bodu môže byť stanovený **polomer** od 3 m až do 30 m.

 **Nabíjacia stanica** je definovaná ako **východiskový bod 0**, štandardne sa fázy kosenia spúšťajú odtiaľ. Frekvencia spúšťania na 10 prejazdov z 10 zodpovedá vypočítanej zvyškovej hodnote.


11.15 Priama cesta domov

Funkcia inteligentného hľadania cesty umožňuje, aby sa kosačka-robot dostala k nabíjacej stanici rovnou a efektívnou cestou.

aktívne - Priama cesta domov je aktívna. Kosačka-robot sa presunie cez kosenu plochu do nabíjacej stanice.

neaktívne - Priama cesta domov je neaktívna. Kosačka-robot prejde potom pozdĺž obmedzovacieho vodiča do nabíjacej stanice.

Zapamätanie - spracuje sa interné mapovanie kosenej plochy. Ak je už mapa uložená, bude vymazaná.

 Počas skúšobnej jazdy bude uložená interná mapa kosenej plochy. Na tento účel treba vykonať prejazd po okraji bez prerušenia.

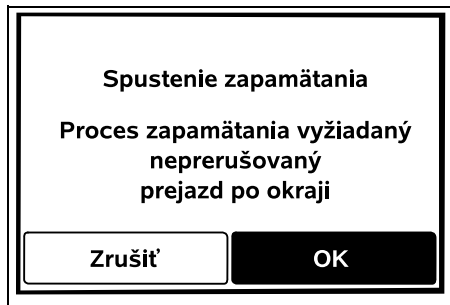
Predpoklady na mapovanie kosenej plochy:

- Kosačka-robot musí prejsť po celej dĺžke obmedzovacieho vodiča bez prerušenia.

- Prekážky a chyby polozenia vodiča vedú k prerušeniam. Prekážky treba odstrániť a príp. opraviť polozenie vodiča.

Vykonajte mapovanie kosenej plochy:

- Vyberte položku ponuky „Zapamätanie“.
- Proces zapamätania vyžaduje prejazd po okraji bez prerušenia.




- Odstráňte prekážky pozdĺž obmedzovacieho vodiča. Potvrďte hlásenie stlačením tlačidla OK.
- Ak už existuje interná mapa, objaví sa dotaz, či má byť vymazaná.
- Pri potvrdení OK sa klapka zatvorí. Kosačka-robot odchádza od okraja. Na pozadí sa vytvorí interná mapa kosenej plochy.

Pri úspešnom mapovaní kosenej plochy:


- Proces zapamätania sa automaticky ukončí pri pripojení kosačky-robot do nabíjacej stanice.
- Objaví sa hlásenie „Proces zapamätania úspešný“. Priama cesta domov je aktívna.


Pri prerušení prejazdu po okraji:

 Prejazd po okraji sa preruší pri strete s prekážkami alebo môže byť prerušený ručne stlačením tlačidla STOP.

Po prerušení treba znovu spustiť skúšobnú jazdu od nabíjacej stanice.

- Objaví sa hlásenie „Prerušenie zapamätania - Zapamätanie sa nepodarilo“.
- Objaví sa dotaz, či je potrebné prerušiť prejazd po okraji. Ak nie: kosačka-robot prejde samostatne pozdĺž obmedzovacieho vodiča do nabíjacej stanice. Pre úspešné mapovanie je potrebné znovu spustiť skúšobnú jazdu. Ak áno: Preneste kosačku-robot do nabíjacej stanice ručne.
- Objaví sa dotaz, či je potrebné zopakovať proces zapamätania.
- V prípade potvrdenia voľbou Áno, odstavte kosačku-robot do nabíjacej stanice, potvrďte stlačením tlačidla OK a zatvorte klapku. Proces zapamätania začína znova.

 Pri úprave polozenia obmedzovacieho vodiča je potrebné znova spracovať mapu kosenej plochy.

 Keď sa krok „Testovať okraj“ úvodnej inštalácie vykonáva bez prerušenia, na pozadí sa automaticky vytvorí mapa kosenej plochy.

11.16 Bezpečnosť

1. Blokovanie stroja
2. Úroveň

3. Ochrana GPS
4. Zmeniť PIN kód
5. Poč. signál:
6. Zvuky ponuky
7. Zámok tlačidiel
8. Spárovať iMOW® a nab.st.

1. Blokovanie stroja:

Pomocou OK sa aktivuje blokovanie stroja. Kosačku-robotu viac nie je možné uviesť do prevádzky. Kosačku-robotu treba zablokovať pred všetkými údržbárskymi, opravnými prácami, pred prepravou a pred kontrolou. (⇒ 5.2)

- Na deaktivovanie blokovania stroja stlačte znázornenú kombináciu tlačidiel.

2. Stupeň:

Je možné nastaviť 4 bezpečnostné stupne. Podľa zvolenej úrovne sa potom aktivujú určité blokovacie funkcie a ochranné zariadenia.

- **Žiadna:**
Kosačka-robot nie je chránená.
- **Nízka:**
Je aktívne vyžiadanie kódu PIN – na spárovanie kosačky-robotu s nabíjacou stanicou, ako aj na obnovenie výrobných nastavení stroja je potrebné zadať kód PIN.
- **Stredná:**
Ako pri „Nízka“, no navyše je aktívny zámok časovania.
- **Vysoká:**
Stále sa vyžaduje zadanie kódu PIN.

i Spoločnosť STIHL odporúča nastaviť jednu z bezpečnostných úrovní „Nízka“, „Stredná“ alebo „Vysoká“.

- Vyberte požadovanú úroveň a výber potvrdíte stlačením tlačidla OK, v prípade potreby zadajte 4-miestny PIN kód.

Vyžiadanie kódu PIN:

Ak je kosačka prevrátená dlhšie ako 10 sekúnd, zobrazí sa požiadavka na zadanie kódu PIN. Ak sa PIN kód nezadá do 1 minúty, spustí sa alarm a okrem toho sa vypne automatika.

Zámok párovania:

Vyžiadanie PIN kódu pred spojením kosačky-robotu a nabíjacej stanice.

Zámok vynulov.:

Vyžiadanie PIN kódu pred resetovaním stroja na výrobné nastavenia.

Zámok časovania:

Vyžiadanie PIN kódu pre zmenu nastavenia, pokiaľ sa dlhšie ako 1 mesiac nezadal žiadny PIN kód.

Ochrana nastav.:

Vyžiadanie PIN kódu, keď sa zmenia nastavenia.

3. Ochrana GPS:

Zapnutie, príp. vypnutie kontroly polohy. (⇒ 5.9)



i Odporúčanie:

Vždy zapnite ochranu GPS. Pred zapnutím zadajte mobilné číslo do aplikácie (⇒ 10.) a na kosačke-robotu nastavte bezpečnostný stupeň „Nízka“, „Stredná“ alebo „Vysoká“.

4. Zmena kódu PIN:

V prípade potreby je možné zmeniť 4-miestny kód PIN.



i Položka ponuky „Zmeniť PIN kód“ sa zobrazuje iba pri bezpečnostnom stupni „Nízka“, „Stredná“ alebo „Vysoká“.

- Najskôr zadajte starý PIN kód a potvrdíte ho stlačením tlačidla OK.
- Nastavte nový 4-miestny PIN kód a potvrdíte ho stlačením tlačidla OK.

i Spoločnosť STIHL odporúča, aby ste si poznačili zmenený PIN kód. Ak 5-krát zadáte nesprávny PIN kód, je nutné použiť 4-miestny **hlavný kód**, navyše sa pritom vypne automatika.

O vydanie hlavného kódu požiadajte svojho predajcu výrobkov značky STIHL alebo si ho vyžiadajte priamo od oddelenia technickej podpory iMOW® prostredníctvom adresy support@imow.stihl.com. Poskytnite pritom 9-miestne sériové číslo a 4-miestny dátum uvedení na displeji zariadenia iMOW®.

5. Poč. signál:

Zapnutie, resp. vypnutie zvukového signálu, ktorý začne znieť pred zapnutím robotičkej kosačky.



6. Zvuky ponuky:

Zapnutie, resp. vypnutie zvukového signálu kliknutia, ktorý zaznie, keď otvoríte ponuku, resp. potvrdíte svoj výber stlačením tlačidla OK.



7. Zámok tlačid.:

Ak je zapnutý zámok tlačid., je možné tlačidlá na displeji ovládania obsluhovať iba vtedy, keď sa najprv stlačí a podrží tlačidlo **Spät'** a následne sa stlačí smerový



ovládač **dopredu**.

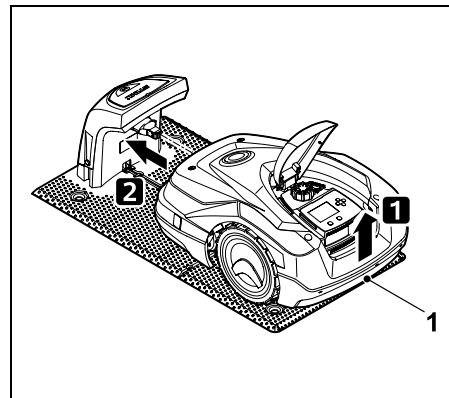
Zámok tlačid. sa aktivuje 2 minúty po poslednom stlačení tlačidla.

8. Spár. iMOW® a nabij.stanicu:

Kosačka-robot funguje po prvom uvedení do prevádzky výlučne s nainštalovanou nabíjajúcou stanicou. Po výmene nabíjacej stanice, príp. elektronických konštrukčných dielov v kosačke-robotu alebo na uvedenie kosačky-robotu do prevádzky na dlhšiu kosenu plochu s inou nabíjajúcou stanicou sa musí spojiť kosačka-robot s nabíjajúcou stanicou.



- Nainštalujte nabíjajúcu stanicu a pripojte obmedzovací vodič. (⇒ 9.8), (⇒ 9.10)



a na nosenie (1) mierne nadvihnite kosačku-robotu na odľahčenie hnacích kolies. Stroj nakloňte na predné kolesá a odtlačte ho po nich do nabíjacej stanice.

- Po stlačení tlačidla OK zadajte PIN kód, potom kosačka-robot automaticky vyhľadá drôtový signál a uloží ho. Proces trvá niekoľko minút. (⇒ 9.11)



i Pri bezpečnostnom stupni „Žiadna“ nie je potrebné zadávať PIN kód.

11.17 Servis

1. Výmena nožov:

Pomocou tlačidla OK potvrdíte montáž nového žacieho noža. Počítadlo sa vynuluje.

2. Hľadanie preruš. vodiča:

Ak na dokovacej stanici rýchlo bliká červený ukazovateľ LED, došlo k prerušeniu obmedzovacieho vodiča. (⇒ 13.1)

- Nájsť preruš. drôtu (⇒ 16.7)

3. Zimný spánok:

Tlačidlom OK uvediete kosačku-robota do zimného spánku. Nastavenia ostanú zachované, hodiny a dátum sa vynulujú.

- Pred zimným spánkom plne nabite akumulátor.
- Pri opätovnom uvedení do prevádzky aktivujte stroj stlačením ľubovoľného tlačidla.

4. Resetovať nastavenia:

Stlačením tlačidla OK sa v kosačke-robote obnovia výrobné nastavenia a znovu sa spustí sprievodca inštaláciou. (⇒ 9.6)

- Po stlačení tlačidla OK zadajte PIN kód.



Pri bezpečnostnom stupni „Žiadna“ nie je potrebné zadávať kód PIN.

11.18 Informácie

	Informácie	10:32		
	Hlásenia			
	Zistený dážď	PI 13:52		
	Odporúčanie	NE 15:00		

1. Hlásenia:

Zoznam všetkých aktívnych chýb, porúch a odporúčaní; zobrazenie spolu s časom výskytu.



Pri bezporuchovej prevádzke sa objaví text „Žiadne hlásenia“.

Podrobnosti hlásenia sa zobrazia po stlačení tlačidla OK. (⇒ 24.)

2. Udalosti:

Zoznam posledných aktivít kosačky-roboty.



Podrobnosti udalosti (doplnkový text, čas a kód) sa zobrazia po stlačení tlačidla OK.



Ak sa niektoré z aktivít vyskytujú nezvyčajne často, ďalšie podrobnosti vám poskytne špecializovaný predajca. Chyby počas bežnej prevádzky sa zaznamenávajú do hlásení.

3. Stav iMOW@:

Informácie o kosačke-robote



- Stav nabitia:
Nabitie akumulátora v percentách
- Zvyšný čas:
Zostávajúce trvanie kosenia v prebiehajúcom týždni v hodinách a minútach
- Dátum a čas

- Čas začiatku:
Štart ďalšieho naplánovaného kosenia
 - Počet všetkých dokončených fáz kosenia
 - Prevádz. čas:
Trvanie všetkých dokončených fáz kosení v hodinách
 - Úsek dráhy:
Celkovo prejdená dráha v metroch
 - Sér. číslo:
Sériové číslo kosačky-roboty, vyznačené aj na typovom štítku v (pozri popis stroja). (⇒ 3.1)
 - Akumulátor:
Sériové číslo akumulátora
 - Softvér:
Softvér nainštalovaný v stroji
- ### 4. Stav trávnik:
- Informácie o ploche trávnik
- Kosená plocha v metroch štvorcových:
Hodnota sa zadáva pri úvodnej inštalácii, resp. pri novej inštalácii. (⇒ 9.13)
 - Čas okruhu:
Trvanie okruhu okolo kosenej plochy v minútach a sekundách
 - Východisk. body 1 – 4:
Vzdialenosť príslušného východiskového bodu od nabíjacej stanice v metroch, meraná v smere pohybu hodinových ručičiek (⇒ 11.14)
 - Rozsah:
Rozsah kosenej plochy v metroch
 - Kosba okraja:
Frekvencia kosby okraja za týždeň (⇒ 11.13)

5. Stav bezdrôtového modulu:

Informácie o bezdrôtovom module



- Satelity:
Počet satelitov v pracovnom dosahu
- Poloha:
Aktuálna poloha kosačky-roboty;
k dispozícii v prípade dostatočného satelitného spojenia
- Sila signálu:
Sila signálu spojenia mobilného telefónu; čím viac znakov plus (max. „++++“) sa zobrazuje, tým lepšie je spojenie
- Sieť:
Rozpoznanie siete, skladá sa z kódu zeme (MCC) a kódu mobilného operátora (MNC)
- Mobilné číslo:
Mobilné telefónne číslo majiteľa; je zadávané do aplikácie (⇒ 10.)
- IMEI:
Sériové číslo hardvéru bezdrôtového modulu
- IMSI:
Medzinárodná identifikácia mobilného účastníka
- SW:
Verzia softvéru bezdrôtového modulu
- Sér. číslo:
Sériové číslo bezdrôtového modulu
- V.č. modemu:
Výrobné číslo modemu

12. Obmedzovací vodič



Pred natiiahnutím

obmedzovacieho vodiča, a to najmä pred úvodnou inštaláciou, si prečítajte celú kapitolu a presne naplánujte natiiahnutie drôtu.



Úvodnú inštaláciu vykonajte pomocou sprievodcu inštaláciou. (⇒ 9.)

Ak budete potrebovať pomoc, obráťte sa na špecializovaného predajcu výrobkov značky STIHL, ktorý vám ochotne pomôže pri príprave kosenej plochy a inštalácii obmedzovacieho vodiča.

Pred finálnym upevnením obmedzovacieho vodiča skontrolujte inštaláciu. (⇒ 9.) Prípadné úpravy polozenia drôtu sú zvyčajne potrebné v oblastiach uličiek, zúžených miest alebo zakázaných plôch.

K odchýlkam môže dôjsť,

- keď sú na kosačku-robotu kladené príliš veľké technické nároky, ako napr. pri veľmi dlhých uličkách alebo pri položení drôtu v blízkosti kovových predmetov, resp. ak sa pod kosenu plochu nachádza kov (na pr. vedenia vody a prúdu),
- ak sa kosena plocha stavebne špeciálne upraví, aby bola vhodná na používanie kosačky-roboty.



Uvedené odstupy drôtu v tomto návode na obsluhu sú určené na polozenie obmedzovacieho vodiča na povrch trávnik.

Obmedzovací vodič je možné zakopať aj do hĺbky 10 cm (napr. pomocou zariadenia na kladenie káblov).

Zakopanie obmedzovacieho vodiča do pôdy spravidla ovplyvňuje signálový príjem, najmä ak sa nad obmedzovacím vodičom nachádzajú plošiny alebo dlaždice. V danom prípade jazdí kosačka-robot ďalej pozdĺž vonkajšieho okraja obmedzovacieho vodiča, čo spôsobuje zvýšenie potrebného miesta pre uličky, tesné oblasti a pri prejazde pri okraji. V prípade potreby prispôbte polozenie drôtu.

12.1 Naplánovanie polozenia obmedzovacieho vodiča



Dbajte na príklady inštalácie na konci návodu na obsluhu. (⇒ 27.) Počas kladenia obmedzovacieho vodiča nezabudnite nainštalovať aj zakázané plochy, uličky, vedľajšie plochy, vyhľadávacie slučky a rezervnú dĺžku drôtu, aby ste predišli dodatočným úpravám.

- **Určenie polohy nabijacej stanice** (⇒ 9.1)
- **Prekážky** na kosenej ploche buď odstráňte, alebo ich izolujte pomocou zakázaných plôch. (⇒ 12.9)

- **Obmedzovací vodič:**

Obmedzovací vodič sa musí položiť v jednej súvislej slučke okolo celej kosenej plochy.

Maximálna dĺžka:

500 m



Pri menších kosenej plochách s dĺžkou drôtu menej ako 80 m sa musí nainštalovať dodané **AKM 100** spolu s obmedzovacím vodičom. (⇒ 9.9)

- **Uličky a vedľajšie plochy:**

Ak chcete kosiť pomocou režimu automatiky, všetky oblasti kosenej plochy vzájomne prepojte **uličkami**. (⇒ 12.11)

Ak na to nie je dostatok priestoru, je potrebné vytvoriť **vedľajšie plochy**. (⇒ 12.10)

- Pri položení obmedzovacieho vodiča dodržiavajte **vzdialenosti** (⇒ 12.5):
 - pri hraničných zjazdnych plochách (výška nerovnosti menšia ako +/- 1 cm, napr. chodníky): **0 cm**
 - pri uličkách: **22 cm**
 - pri vysokých prekážkach (napr. múry, stromy): **28 cm**
 - minimálna vzdialenosť drôtu na úzkych miestach: **44 cm**
 - pri vodných plochách a miestach s rizikom spadnutia (okraje, obrubníky): **100 cm**

- **Rohy:**

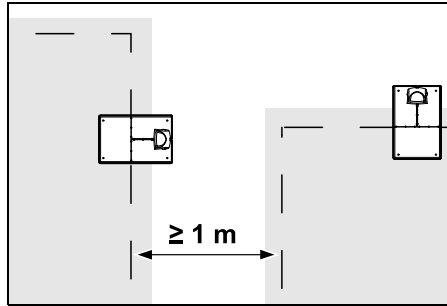
Drôt nepokladajte do ostrých uhlov (menšie ako 90°)

- **Vyhľadávacie slučky:**

Ak sa má použiť funkcia posunutý návrat domov (koridor), je nutné pri uličkách, resp. pri externej nabíjacej stanici nainštalovať vyhľadávacie slučky. (⇒ 12.12)

- **Rezervy drôtu:**

Aby bolo v prípade potreby možné dodatočne ľahšie upraviť polohu obmedzovacieho vodiča, odporúčame nainštalovať niekoľko rezervných dĺžok drôtu. (⇒ 12.15)



Kosenej plochy sa nesmú prekrývať. Je potrebné dodržiavať minimálnu vzdialenosť $\geq 1 \text{ m}$ medzi obmedzovacími vodičmi dvoch kosenej ploch.



Navinuté zvyškové diely obmedzovacieho vodiča môžu spôsobiť poruchy a je ich nutné odstrániť.

12.2 Vytvorenie náčrtu kosenej plochy



Pri inštalovaní kosačky-roboty a nabíjacej stanice sa odporúča vytvoriť si zároveň aj náčrt kosenej plochy. Na začiatku tohto návodu na obsluhu je na tento účel vyhradená jedna strana. Tento náčrt je potrebné pri neskorších zmenách aktualizovať.

Obsah náčrtu:

- **Obrys kosenej plochy** s dôležitými prekážkami, hranicami a možnými zakázanými plochami, v ktorých nesmie kosačka-robot pracovať. (⇒ 27.)

- Poloha **nabíjacej stanice** (⇒ 9.8)

- Poloha **obmedzovacieho vodiča**
Obmedzovací vodič zakrátko zarastie do zeme a nebude ho vidno. Poznačte si najmä polohu drôtu okolo prekážok. (⇒ 9.9)

- Poloha **drôtovej spojky**
Použitie drôtovej spojky nebude po krátkom čase vidno. Ich polohu si treba poznačiť, aby ste ich v prípade potreby mohli vymeniť. (⇒ 12.16)

12.3 Natiahnutie obmedzovacieho vodiča



Používajte len originálne upevňovacie kolíky a originálny obmedzovací vodič. **Inštalčné súpravy** obsahujúce potrebný inštalčný materiál sú dostupné ako príslušenstvo u špecializovaného predajcu výrobkov značky STIHL. (⇒ 18.)

Podľa potreby môžete drôt ňahať v smere aj proti smeru hodinových ručičiek.

Upevňovacie kolíky nikdy nevyťahujte pomocou obmedzovacieho vodiča – vždy na to používajte vhodný nástroj (napr. kombinované kliešte).

Položenie obmedzovacieho vodiča si poznačte do nákresu. (⇒ 12.2)

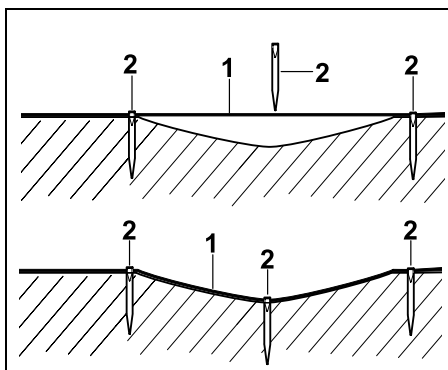
- Nainštalujte nabíjaciu stanicu. (⇒ 9.8)

- Obmedzovací vodič, ktorý vychádza smerom od nabíjacej stanice, natiahnite okolo kosenej plochy a prípadne aj okolo vyskytujúcich sa prekážok (⇒ 12.9) a pripevnite ho k zemi pomocou pripínadiel. Vzdialenosti skontrolujte pomocou iMOW® Ruler. (⇒ 12.5)
Dodržiavajte pokyny v kapitole „Úvodná inštalácia“. (⇒ 9.9)
- Pripojte obmedzovací vodič. (⇒ 9.10)





Upozornenie:

Vyvarujte sa príliš vysokému ťahovému napätiu obmedzovacieho vodiča, aby ste zabránili zlomeniu drôtu. Obzvlášť pri položení pomocou stroja na natiahnutie drôtu dbajte na to, že obmedzovací vodič sa musí z cievky ťahať voľne.

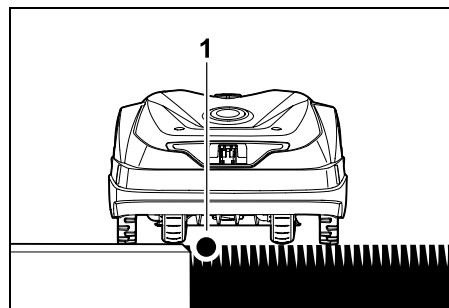


Obmedzovací vodič (1) sa naťahuje pozemne a pri nerovnostiach sa upevňuje dodatočnými upevňovacími kolíkmi (2). Tým sa zabráni tomu, že žací nôž prereže drôt.

12.4 Pripojenie obmedzovacieho vodiča

- Odpojte sieťový konektor a potom zložte kryt nabíjacej stanice. 
- Obmedzovací vodič založte do vedení kábla v základovej doske a prevlečte ho cez podstavec, odizolujte konce a zapojte ju do nabíjacej stanice. Dodržiavajte pokyny v kapitole „Úvodná inštalácia“. (⇒ 9.10)
- Namontujte kryt nabíjacej stanice a potom pripojte sieťovú zástrčku. 
- Skontrolujte drôtový signál. (⇒ 9.11)
- Skontrolujte pripojenie do nabíjacej stanice. (⇒ 15.6)
V prípade potreby upravte polohu v drôtu v oblasti nabíjacej stanice.

12.5 Vzdialenosti drôtov – použitie iMOW® Ruler



Obmedzovací vodič (1) môže byť pozdĺž prejazdnych prekážok, ako napr. terasy a chodníčky, natiahnutý **bez odstupu**. Kosačka-robot potom jazdí so zadným

kolesom mimo kosenu plochu. Maximálna výška nerovnosti ku koreňom pokoseného trávniku: **+/- 1 cm**




Pri údržbe okraja trávniku dbajte na to, aby ste nepoškodili obmedzovací vodič. V prípade potreby inštalujte obmedzovací vodič s odstupom (28 cm) k okraju trávniku.

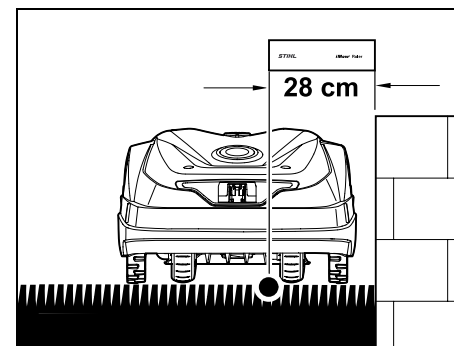
Meranie vzdialeností vodiča pomocou iMOW® Ruler:

Aby bol obmedzovací vodič položený v správnej vzdialenosti od okraja kosenej plochy a prekážok, musí sa na odmeranie vzdialenosti použiť iMOW® Ruler.



Vysoká prekážka:

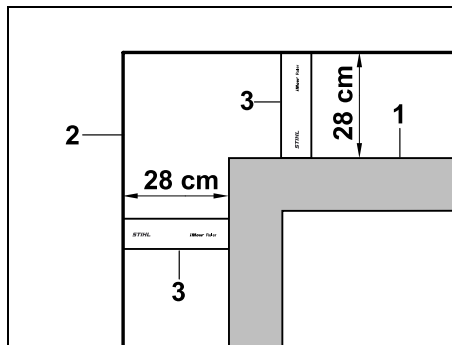
Vzdialenosť medzi vysokou prekážkou a obmedzovacím vodičom. 



Kosačka-robot sa musí celá pohybovať v rámci kosenej plochy a nesmie sa dotknúť prekážky.

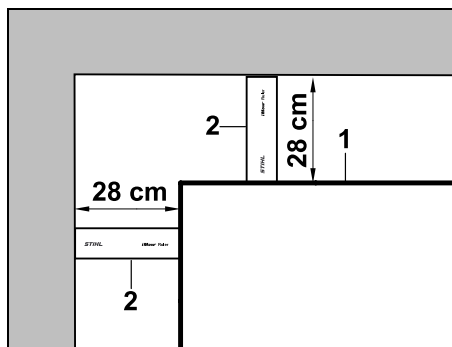
Vďaka vzdialenosti 28 cm jazdí kosačka-robot bez narážania o prekážku pozdĺž obmedzovacieho vodiča v rohu vysokej prekážky.

Natiahnutie vodiča okolo vysokých prekážok:



Pri natáhaní okolo vysokých prekážok (1), ako sú rohy múrov alebo vyvýšené záhony, sa v rohoch musí presne dodržať vzdialenosť drôtov, aby sa kosačka-robot nezachytávala na prekážkach. Obmedzovací vodič (2) natiahnite pomocou iMOW® Ruler (3) podľa znázornenia na obrázku.

Vzdialenosť drôtu: 28 cm

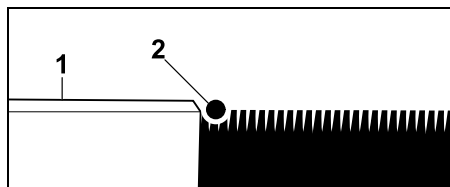


Pri položení obmedzovacieho vodiča (1) vo vnútornom rohu na vysokej prekážke odmerajte vzdialenosť drôtu pomocou iMOW® Ruler (2).

Vzdialenosť drôtu: 28 cm

Zmeranie výšky prekážok:

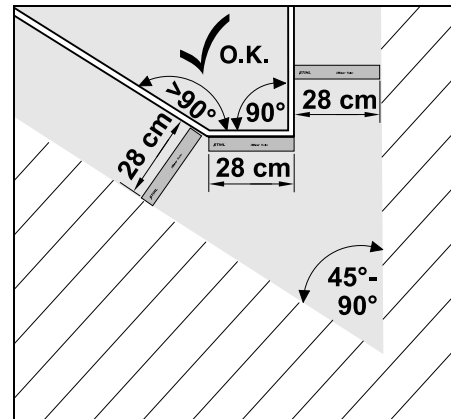
Kosačka-robot dokáže prejsť cez hraničné plochy, ako sú napr. cestičky, ak ich výška nepresiahne +/- 1 cm.



Výškový rozdiel od prejazdnej prekážky (1) je menší ako +/- 1 cm: Položte obmedzovací vodič (2) bez odstuhu od prekážky.

i V prípade potreby nastavte výšku kosenia tak, aby kosačka-robot so žacím mechanizmom nenarazila na prekážky. Ak nastavíte najnižšiu výšku kosenia, dokáže kosačka-robot prekonať iba nižšie nerovnosti, ako bolo uvedené.

12.6 Ostré rohy



V rohoch trávniku s ostrým tvarom (45° - 90°) sa položí obmedzovací vodič podľa znázornenia na obrázku. Obidva uhly musia mať vzdialenosť aspoň **28 cm**, aby mohla kosačka-robot prejsť popri okraji.

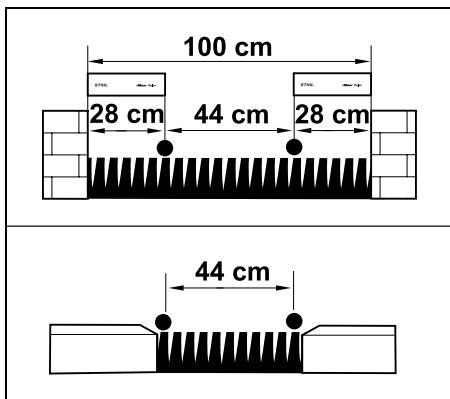
Do rohov menších ako 45° drôt nepokladajte.

12.7 Zúžené miesta

i Po inštalácii zúžených miest vypnite posunutý návrat domov (koridor) (⇒ 11.13) alebo nainštalujte vyhľadávacie slučky. (⇒ 12.12)

Pokiaľ bude dodržaná minimálna vzdialenosť drôtov, kosačka-robot bude cez zúžené miesta prechádzať automaticky. Užšie oblasti kosenej plochy je potrebné vymedziť pomocou správneho polozenia obmedzovacieho vodiča.

Ak sú dve kosené plochy vzájomne prepojené prejazdnom úzkou oblasťou, je možné inštalovať uličku. (⇒ 12.11)



Minimálna vzdialenosť medzi drôtmí je **44 cm**.

Z toho vyplývajú v **zúžených miestach** nasledujúce rozmery potrebnej plochy:

- medzi vysokými prekážkami s výškou nad +/- 1 cm, ako chodníčky **100 cm**,
- medzi hraničnými zjazdovými plochami s výškou nerovnosti menšou ako +/- 1 cm, ako napr. chodníčky **44 cm**.

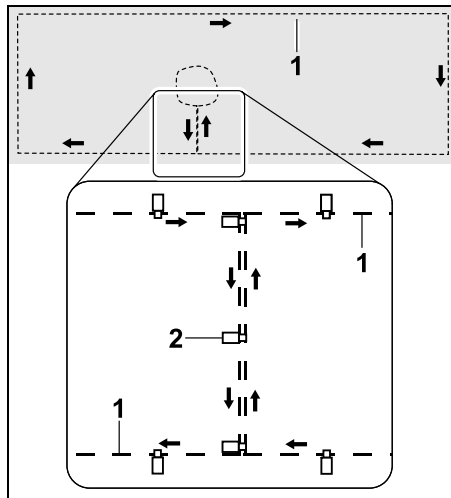
12.8 Inštalácia prepájacích dráh

Kosačka-robot ignoruje signál z obmedzovacieho vodiča, keď sú drôty rovnobežne položené blízko pri sebe. Inštalácia prepájacích dráh je potrebná,

- keď sa majú nainštalovať vedľajšie plochy, (⇒ 12.10)
- keď sú potrebné zakázané plochy. (⇒ 12.9)

i Spoločnosť STIHL odporúča, aby sa prepájacie dráhy pokladali súčasne v priebehu kladenia drôtov pre zakázané plochy, resp. vedľajšie plochy.

Pri dodatočnej inštalácii je potrebné rozpojiť drôtovú slučku a na opätovné pripojenie prepájacích dráh sa potom musia použiť dodané drôtové spojky. (⇒ 12.16)



Pri prepájacích dráhach sa obmedzovací vodič (1) kladie rovnobežne, drôty sa nesmú prekrížiť a musia viesť tesne popri sebe. Prepájaciu dráhu pripevnite do pôdy dostatočným počtom pripínadiel (2).

12.9 Zakázané plochy

Inštalujte zakázané plochy

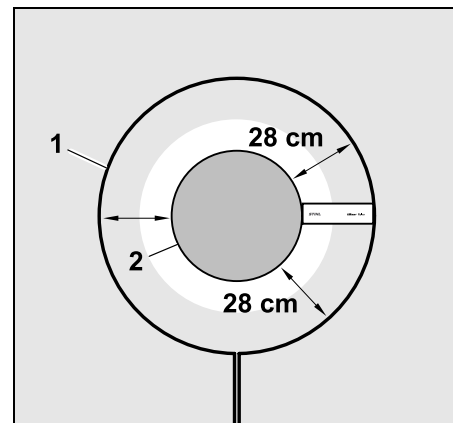
- okolo prekážok, ktorých sa kosačka-robot nesmie dotknúť,
- okolo nestabilných prekážok,

- okolo nízkych prekážok. Minimálna výška: 8 cm

Spoločnosť STIHL odporúča

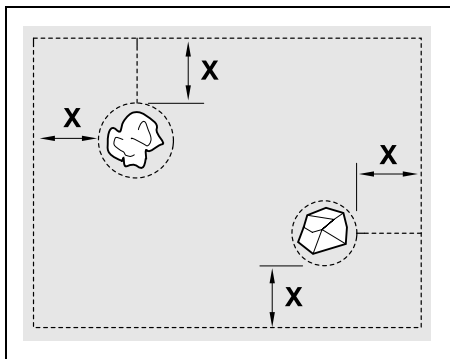
- izolovať prekážky pomocou zakázaných plôch alebo ich úplne odstrániť,
- skontrolovať zakázané plochy po úvodnej inštalácii, resp. zmene polohy drôtu pomocou príkazu „Testovať okraj“. (⇒ 11.13)

Vzdialenosť na položení obmedzovacieho vodiča okolo zakázanej plochy: **28 cm**



Kosačka-robot jazdí bez narážania pozdĺž obmedzovacieho vodiča (1) okolo prekážky (2).

Na zaručenie robustnej prevádzky by mali byť zakázané plochy v podstate okrúhle a nemali by mať žiadne oválne, rohové alebo dovnútra zakrivené formy.



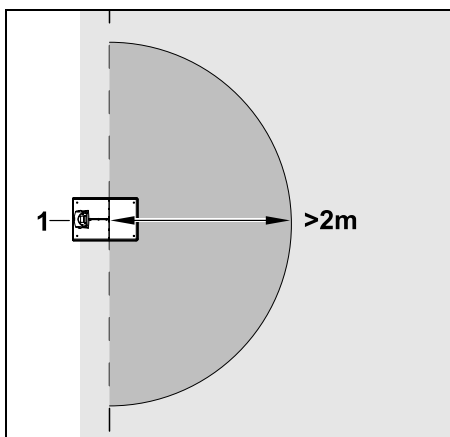
Zakázané plochy musia mať **minimálny priemer 56 cm**.

Vzdialenosť od okrajovej slučky (X) musí byť väčšia ako 44 cm.

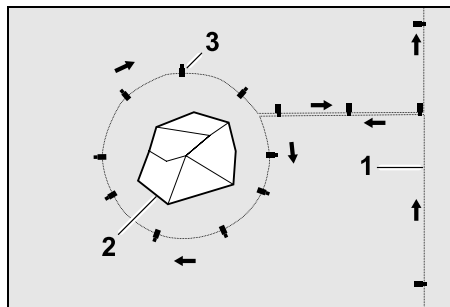


Odporúčanie:

Zakázané plochy by mali mať maximálny priemer veľkosti 2 – 3 m.



V okruhu minimálne **2 m** okolo nabíjacej stanice (1) nesmie byť inštalovaná žiadna zakázaná plocha, aby sa zabránilo poruchám počas parkovania do nabíjacej stanice.

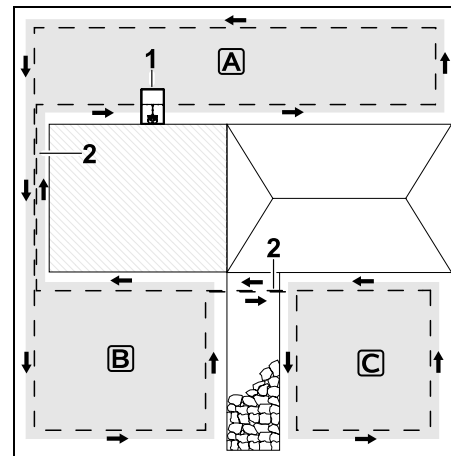


Natiahnite obmedzovací vodič (1) od okraja smerom k prekážke, dodržte pri pokladaní správnu vzdialenosť od prekážky (2) a pripevnite ho do pôdy dostatočným počtom pripínadiel (3). Následne potiahnite obmedzovací vodič späť k okraju.

Medzi prekážkou a okrajom musí byť obmedzovací vodič položený **paralelne jeden vedľa druhého** po celej prepájajúcej dráhe. Prítom je dôležité, aby sa okolo zakázanej plochy dodržal smer polozenia (⇒ 12.8)

12.10 Vedľajšie plochy

Vedľajšie plochy sú oblasti na kosenej ploche, ktoré kosačka-robot nedokáže **plne automaticky** upraviť, pretože k nim nie je voľný prístup. Týmto spôsobom je možné ohraničiť viacero oddelených kosenej plôch pomocou jedného obmedzovacieho vodiča. Kosačku-robotu je pritom nutné ručne preniesť z jednej kosenej plochy na druhú. Kosenie sa spustí v ponuke pod možnosťou „Príkazy spustenia kosenia“ (⇒ 11.5).



Nabíjacia stanica (1) sa nainštaluje do kosenej plochy **A**, tá sa po pláne kosenia spracuje plne automaticky. Vedľajšie plochy **B** a **C** sú spojené prepájacími dráhami (2) s kosenu plochou **A**. Na všetkých plochách musí byť obmedzovací vodič položený rovnakým smerom – obmedzovací vodič sa na prepájacích dráhach nesmie prekrížiť.

- Aktivujte vedľajšie plochy v ponuke „Viac – Nastavenia – Inštalácia“. (⇒ 11.13)

12.11 Uličky

Ak je na kosenie určených viacero kosenej plôch (napr. kosenej plochy pred a za domom), môžete na ich prepojenie nainštalovať uličku. Vďaka tomu bude možné **automaticky** upraviť všetky kosenej plochy.

i V uličkách sa tráva bude kosiť iba pri prejazde pozdĺž obmedzovacieho vodiča. V prípade potreby zapnite automatickú kosbu okraja alebo pravidelne koste oblasť uličky ručne. (⇒ 11.13)

Po inštalácii uličiek vypnite posunutý návrat domov (koridor) (⇒ 11.13) alebo nainštalujte vyhľadávacie slučky. (⇒ 12.12)

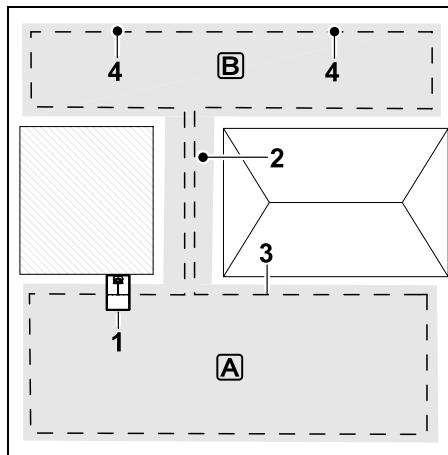
Uvedené odstupy drôtu a šablóny uličiek sú určené na polozenie obmedzovacieho vodiča na povrch trávnik. Pri veľmi hlboko položenom obmedzovacom vodiči, napr. pod kamennou dlažbou, sa rozmery odchyľujú. Skontrolujte funkciu a pokiaľ je to nevyhnutné, prispôbte polozenie drôtu.

Nevyhnutné podmienky:

- **Minimálna šírka** medzi pevnými prekážkami v oblasti uličky je 88 cm, medzi cestami, po ktorých je možné prejsť, je to 22 cm.

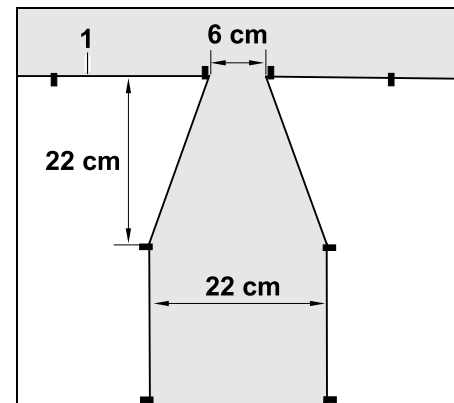
i V závislosti od kvality pôdy je v dlhších uličkách nutné zohľadniť mierne zvýšenú potrebu plochy. Podľa možnosti inštalujte dlhšie uličky medzi prekážkami.

- Cez uličku sa dá voľne prejsť.
- V oblasti druhej kosenej plochy je zafinovaný aspoň 1 **východiskový bod**. (⇒ 11.14)



Nabíjacia stanica (1) sa nainštaluje na kosenu plochu **A**. Kosená plocha **B** je prostredníctvom uličky (2) prepojená s kosenu plochou **A**. Kosačka-robot môže súvisle prechádzať pozdĺž obmedzovacieho vodiča (3). Na úpravu kosenej plochy **B** je potrebné zafinovať východiskové body (4). (⇒ 11.14) Jednotlivé fázy kosenia sa potom budú spúšťať na príslušných východiskových bodoch na základe daného nastavenia (frekvencia spúšťania).

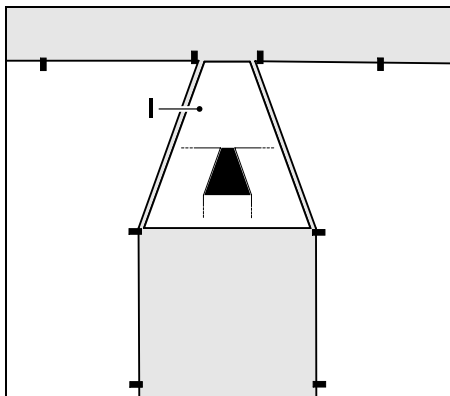
Inštalácia začiatku a konca uličky:



Na začiatku a na konci uličky je nutné natiahnúť obmedzovací vodič (1) lievikovito podľa znázornenia na obrázku. Počas procesu kosenia sa tak predíde neúmyselnému vjazdu kosačky-robotu do uličky.

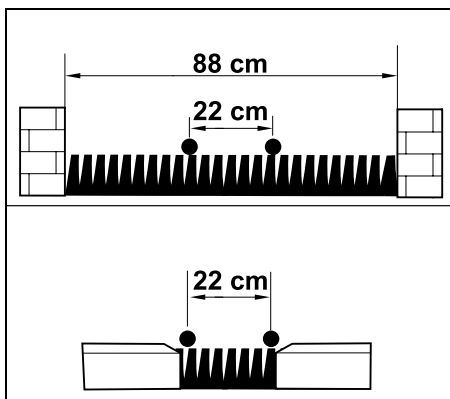
i Rozmery vo veľkej miere závisia od okolitého prostredia a terénu. Pri uličkách s lievikovitým začiatkom, resp. ukončením neustále kontrolujte, či nimi dokáže kosačka-robot prejsť.

Obmedzovací vodič vľavo a vpravo od vstupu do uličky rovno natiahnite asi na dĺžku stroja.



Na inštaláciu lievnikového vjazdu a výjazdu použite aj dodané šablóny uličiek (l).

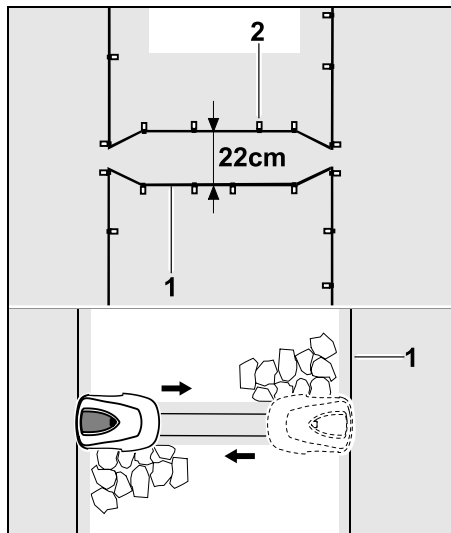
Inštalácia uličky:



Vzdialenosť drôtov v uličkách: **22 cm**

Z toho vyplývajú nasledujúce rozmery potrebnej plochy:

- medzi vysokými prekážkami (s výškou nad 1 cm – napr. múry):
88 cm,
- medzi chodníkmi, resp. prekážkami (s výškou menšou ako 1 cm – napr. chodníčky):
22 cm.



V uličkách sa obmedzovací vodič (1) natiahne rovnobežne a pripevní sa do pôdy dostatočným počtom upevňovacích kolíkov (2). Na začiatku a na konci uličky je nutné inštalovať lievnikový vjazd a výjazd.

12.12 Vyhľadávacie slučky pre posunutú návratovú dráhu domov

Ak sa aktivuje posunutý návrat domov, sú k dispozícii vyhľadávacie slučky,

- ak bola nainštalovaná externá nabíjacia stanica

alebo

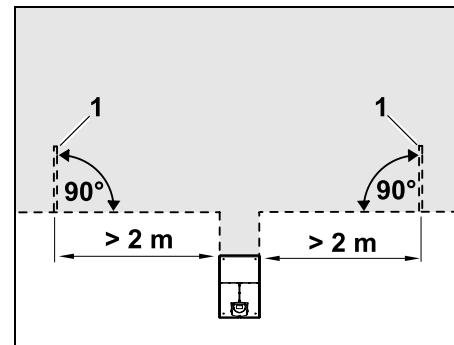
- ak existujú v kosenej ploche uličky alebo zúžené miesta.

Spôsob činnosti:

Ak nasleduje kosačka-robot pootočená z vnútornej strany za obmedzovacím vodičom, križuje v priebehu cesty domov

jednu z vyhľadávacích slučiek. Prejde potom k obmedzovaciemu vodiču a ďalej až do nabíjacej stanice.

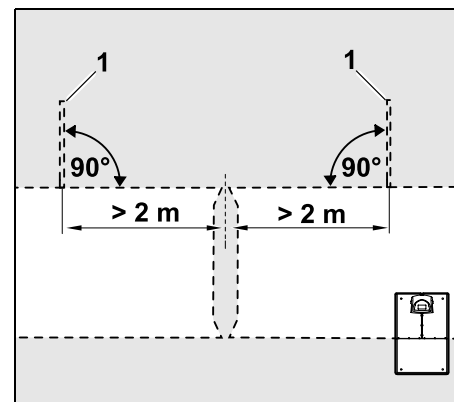
Vyhľadávacie slučky pri externej nabíjacej stanici:



Vľavo a vpravo vedľa voľného prístupu k externej nabíjacej stanici treba nainštalovať k obmedzovaciemu vodiču dve vyhľadávacie slučky (1) v 90-stupňovom uhle.

Minimálny odstup k voľnému prístupu: **2 m**

Vyhľadávacie slučky pri uličkách:

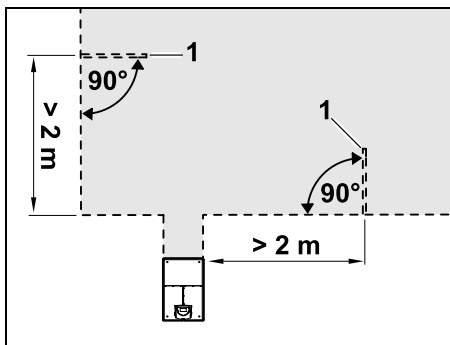


Vľavo a vpravo vedľa vstupu do uličky treba nainštalovať k obmedzovaciemu vodiču dve vyhľadávacie slučky (1) v 90-

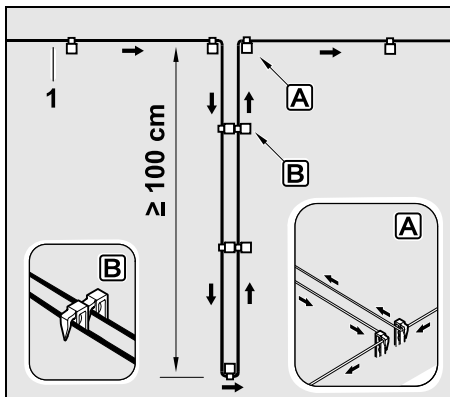
stupňovom uhle, a to vždy v časti kosenej plochy, ktorú možno dosiahnuť cez uličku. Minimálny odstup od vstupu do uličky: **2 m**

i Ak je za sebou nainštalovaných niekoľko uličiek, treba v každej príslušnej kosenej ploche nainštalovať vyhladávacíe slučky.

Inštalácia vyhladávacej slučky:



Vyhľadávacie slučky nesmú byť nainštalované v blízkosti rohov. Minimálna vzdialenosť od rohov: **2 m**



Vyhľadávaciu slučku nainštalujte na plochu trávniku podľa znázornenia na obrázku. Obmedzovací vodič (1) musí byť na okraji **A** na zemi upevnený dvomi

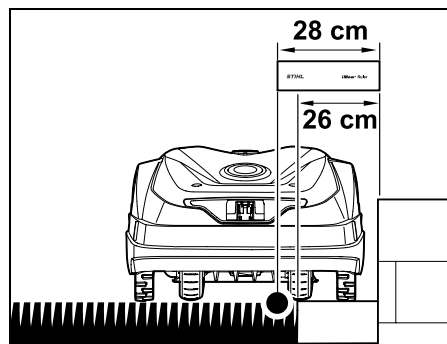
upevňovacími kolíkmi a nesmie sa skrzytiť. Minimálna dĺžka: **100 cm**
Pokladanie drôtu klinec na klinec **B**

- Vyhľadávaciu slučku pripevnite do pôdy dostatočným počtom upevňovacích kolíkov.

12.13 Presné kosenie na hrany

i Pozdĺž vysokých prekážok vzniká pás nepokosenej trávy so šírkou až 26 cm. V prípade potreby je možné okolo vysokých prekážok umiestniť obrubník.

Minimálna šírka obrubníka:



Položte obmedzovací vodič do vzdialenosti 28 cm od prekážky. Obrubník musí mať šírku minimálne 26 cm, aby bolo zaručené úplné pokosenie okraja trávniku. Presnejšie spracovanie okraja trávniku sa dosiahne použitím širších obrubníkov.

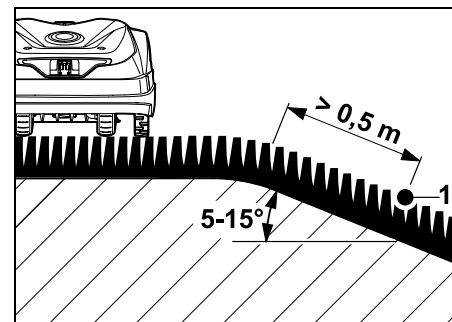
12.14 Klesajúci terén pozdĺž obmedzovacieho vodiča

i **Upozornenie:** Pre robustnú inštaláciu sa odporúča položiť obmedzovací vodič maximálne do terénu 10° (17 %). Drôt je možné položiť po klesanie 15° (27 %), avšak to môže výrazne zvýšiť náklady a prispôbenie polozenia drôtu. V záhradných náčrtoch by sa tiež mali bezpodmienečne zaznačiť klesania.

Pri inštalácii obmedzovacieho vodiča na klesajúcom teréne dodržiavajte minimálnu vzdialenosť od okraja terénu, aby mohla kosačka-robot automaticky a bez poruchy kosiť na klesajúcom teréne (až 15° klesanie) v kosenej ploche.

Pri vodných plochách a miestach spadnutia, akými sú hrany a výstupky, sa musí dodržať vzdialenosť aspoň **100 cm**.

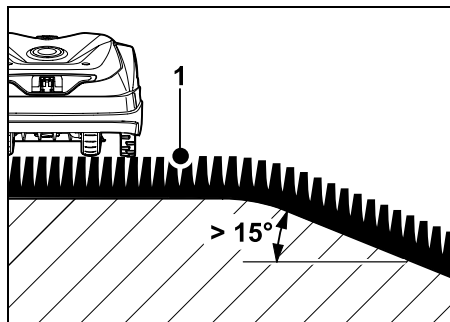
Klesajúca plocha s klesaním v rozsahu 5° - 15°:



Obmedzovací vodič je možné natiahnuť podľa zobrazenia na obrázku pod okrajom terénu, ak sa v rámci kosenej plochy nachádza klesajúca plocha s klesaním v rozsahu 5° - 15°. Na zaručenie

bezporuchovej prevádzky kosačky-roboty musíte zohľadniť minimálnu vzdialenosť (0,5 m) medzi okrajom terénu a obmedzovacím vodičom.

Klesajúca plocha s klesaním > 15°:

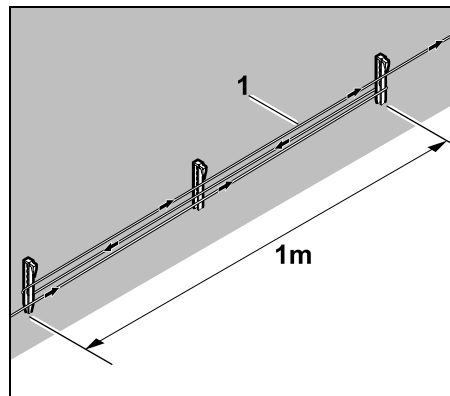


Ak sa v rámci kosenej plochy nachádza klesajúca oblasť s klesaním s veľkosťou > 15°, v ktorej sa má natiiahnuť obmedzovací vodič, odporúča sa obmedzovací vodič (1) natiiahnuť podľa znázornenia na obrázku na rovnú plochu nad okrajom terénu. Okraj terénu a klesajúca oblasť nebudú pokosené.

12.15 Inštalácia rezervných dĺžok drôtu

Rezervné dĺžky drôtu nainštalované v pravidelných odstupoch uľahčujú potrebné korekcie, napr. ak chcete dodatočne zmeniť polohu nabíjacej stanice alebo položiť obmedzovací vodič.

Rezervné dĺžky drôtu odporúčame nainštalovať najmä v blízkosti náročných pasáží.

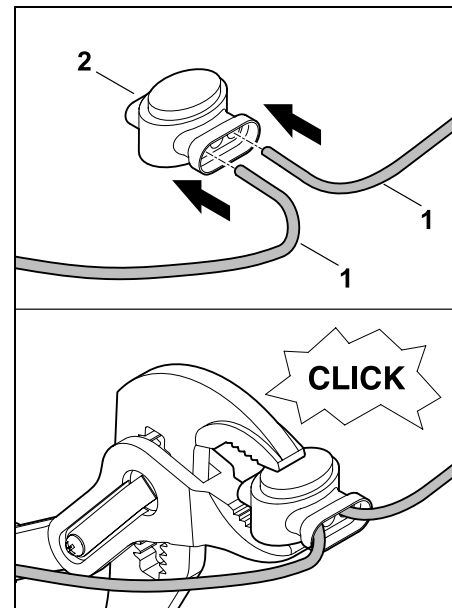


Obmedzovací vodič (1) natiiahnite na úseku s dĺžkou cca 1 m medzi 2 pripínadlá podľa znázornenia na obrázku. Rezervnú dĺžku drôtu upevnite k zemi v strede pomocou ďalšieho pripínadla.

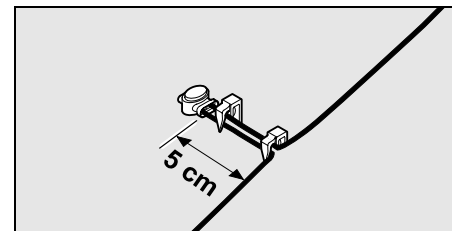
12.16 Používanie drôtových spojok

Na predĺženie obmedzovacieho vodiča alebo na prepojenie voľných koncov drôtu sa smú používať výlučne drôtové spojky s gélovou náplňou dodávané ako príslušenstvo. Zabráni predčasnému opotrebovaniu (napr. korózii koncoviek drôtov) a zaručia optimálnu kvalitu pripojenia.

Polohu drôtových spojok si poznačte do náčrtu kosenej plochy. (⇒ 12.2)



Voľné, neizolované konce drôtov (1) zastrčte až na doraz do drôtových spojok (2). Drôtovú spojku stlačte pomocou vhodných klieští – dbajte pritom na správne zaistenie spojky.



Na odľahčenie napnutia elektrického kábla pripevnite obmedzovací vodič k zemi podľa znázornenia na obrázku pomocou dvoch upevňovacích kolíkov.

12.17 Úzke vzdialenosti od okraja

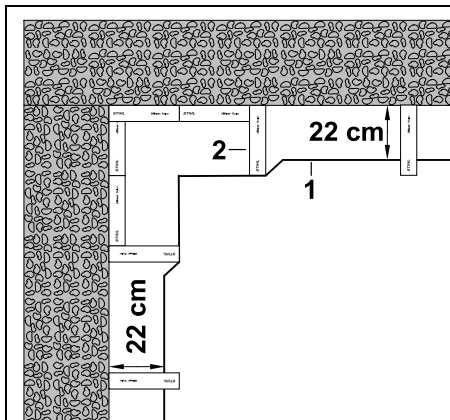
Na rovnej dráhe, nie v rohoch, existuje možnosť zníženia vzdialenosti drôtu od vysokej prekážky na **22 cm**. To vedie k väčšej kosenej ploche.

Pri jazde po okraji (⇒ 9.12), (⇒ 11.13) je potrebné dbať na dostatočnú vzdialenosť (min. 5 cm) medzi kosačkou-robotom a prekážkami. Prípadne zväčšite vzdialenosť drôtu od prekážok.



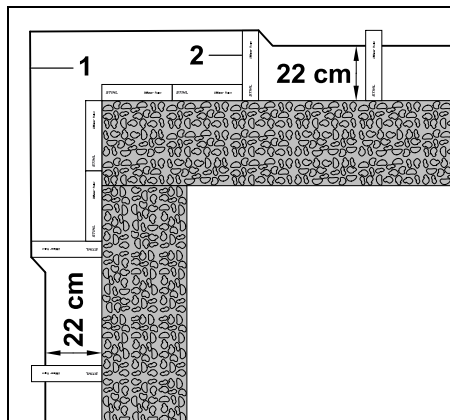
Úzke vzdialenosti od okrajov by sa mali bezpodmienečne zaznačiť v záhradnom náčrte. (⇒ 12.2)

Úzke vzdialenosti vo vnútornom rohu:



Obmedzovací vodič (1) položte vo vnútornom rohu podľa znázornenia na obrázku: použite iMOW® Ruler (2).

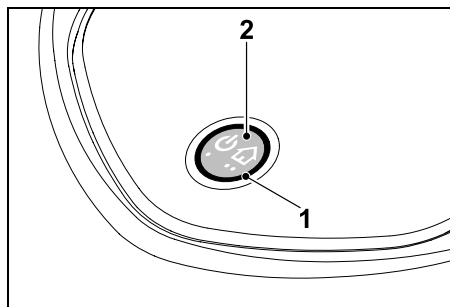
Úzke vzdialenosti vo vonkajšom rohu:



Obmedzovací vodič (1) položte vo vonkajšom rohu podľa znázornenia na obrázku: použite iMOW® Ruler (2).

13. Nabíjacia stanica

13.1 Ovládacie prvky nabíjacej stanice



Červený okrúhly LED ukazovateľ (1) signalizuje stav nabíjacej stanice a drôtového signálu.

Funkcie tlačidla (2):

- Zapnutie a vypnutie nabíjacej stanice

- Aktivácia príkazu Domov
- Aktivovanie vyhľadávania preruš. drôtu

LED ukazovateľ nesvieti:

- Nabíjacia stanica a drôt. signál sú vypnuté.

Červený LED ukazovateľ svieti bez prerušenia:

- Nabíjacia stanica a drôt. signál sú zapnuté.
- Kosačka-robot nie je zaparkovaná v nabíjacej stanici.

Ukazovateľ LED bliká pomaly (2 sekundy zap. – krátko vyp.):

- Kosačka-robot sa nachádza v nabíjacej stanici, akumulátor sa v prípade potreby nabíja.
- Nabíjacia stanica a drôt. signál sú zapnuté.

Červený LED ukazovateľ rýchlo bliká:

- Obmedzovací drôt je prerušený – prerušenie drôtu alebo drôt nie je správne pripojený na nabíjajúcu stanicu. (⇒ 16.6)

Ukazovateľ LED svieti 3 sekundy, sprevádzané 1-sekundovou pauzou:

- Príkaz Domov sa aktivoval.

Ukazovateľ LED svieti 3-krát krátko, 3-krát dlho, 3-krát krátko, sprevádzané asi 5-sekundovou pauzou (signál SOS):

- Chyba v nabíjacej stanici.

Zapnutie a vypnutie nabíjacej stanice:

V automatickej prevádzke sa zapínanie a vypínanie vykonáva automaticky.



Keď kosačka-robot nie je odstavená v nabíjacej stanici, **krátkym stlačením tlačidla** sa aktivuje nabíjacia stanica. Drôťový signál zostane aktívny po dobu 48 hodín, pokiaľ sa predtým kosačka-robot nezaparkuje do nabíjacej stanice.

2-sekundové dlhé stlačenie tlačidla vypne nabíjajúcu stanicu.

Aktivácia príkazu Domov:

Počas žacieho procesu stlačte krátko tlačidlo 2-krát počas 2 sekúnd.

Kosačka-robot dokončí kosenie, vyhľadá obmedzovací vodič a vráti sa späť do nabíjacej stanice, v ktorej si nabije akumulátor. Počas prebiehajúcej doby činnosti sa už nevykoná ďalšie kosenie.



Príkaz Domov zostáva aktívny, kým sa kosačka-robot nachádza v nabíjacej stanici. Opätovné 2-násobné stlačenie tlačidla na nabíjacej stanici ukončí aj príkaz Domov.



14. Pokyny pre kosenie

14.1 Všeobecne

Kosačka-robot je koncipovaná na automatickú údržbu trávnatých plôch. Súvislou úpravou sa pritom udržiava nízka výška trávy. Výsledkom je pekný a hustý trávnik.

Trávnaté plochy, ktoré predtým neboli udržiavané pomocou bežnej kosačky na trávu, sú kvalitne upravené až po niekoľkých fázach kosenia. Platí to najmä pre plochy s vyššou trávou, kde sa

dokonalý vzhľad pokosenej plochy dosiahne až po niekoľkých fázach kosenia.

V horúcom a suchom podnebí nesmie byť trávnik príliš krátky, inak sa môže vplyvom slnečného žiarenia spáliť a získať nepekný vzhľad.

Ak je rezný nôž správne naostrený, bude aj vzhľad pokosenej plochy krajší ako pri používaní tupého noža. Preto sa musí rezný nôž pravidelne meniť.

14.2 Mulčovanie

Kosačka-robot plní aj funkciu mulčovacej kosačky.

Pri mulčovaní sa steblá trávy po pokosení ďalej rozdrobia v priestore žacieho mechanizmu. Následne padajú ku koreňom pokoseného trávniku, kde zostávajú ležať a zhniúť.

Nadrobno posekaná pokosená hmota týmto spôsobom vracia pôde organické živiny a slúži tak ako prírodné hnojivo. Výrazne sa tým znižuje spotreba hnojiva.

14.3 Doby činnosti

Pri type plánu kosenia „Štandardný“, kosačka-robot kosí počas celej doby činnosti, preruší ju iba procesy nabíjania.

Pri type plánu kosenia „Dynamický“ môže kosačka-robot počas doby činnosti kedykoľvek odísť z nabíjacej stanice a kosíť trávnik. Preto sa počas tejto doby striedajú fázy **kosenia, nabíjania a fázy pokoja**. Kosačka-robot automaticky rozdelí potrebné fázy kosenia a nabíjania medzi dostupné časové rámce.

Počas inštalácie sa doby činnosti automaticky rozložia v rámci celého týždňa. Pritom sa zohľadnia aj časové rezervy – tým sa zaručí optimálna údržba trávniku, aj keď sa ojedinele nebudú môcť vykonať niektoré z fáz kosenia (napr. kvôli dažďu).



Počas dôb činnosti sa v nebezpečnej oblasti nesmú nachádzať žiadne osoby. Doby činnosti si podľa potreby prispôbte.

Navyše dodržiavajte miestne predpisy pre používanie kosačiek-robotov, ako aj pokyny z kapitoly „Pre vašu bezpečnosť“ (⇒ 6.1) a upravte doby činnosti v ponuke „Plán kosenia“. (⇒ 11.7) Na príslušnom úrade si predovšetkým overte, počas ktorých hodín cez deň a v noci sa smie stroj používať.

14.4 Trvanie kosenia

Trvanie kosenia uvádza počet hodín za týždeň, počas ktorých sa má kosíť trávnik. Je možné ho predĺžiť alebo skrátiť. (⇒ 11.7)

Trvanie kosenia sa rovná času, počas ktorého kosačka-robot kosí trávnik. Do trvania kosenia sa nezapočítava čas, počas ktorého sa nabíja akumulátor.

Počas úvodnej inštalácie vypočíta kosačka-robot trvanie kosenia automaticky na základe uvedenej veľkosti kosenej plochy. Táto predpísaná hodnota je určená pre bežný trávnik v suchých podmienkach.

Plošný výkon:

Na 100 m² kosačka-robot potrebuje v priemere 100 minút.

14.5 Domovská oblasť

Kosačka-robot pomocou zabudovaného prijímača GPS rozpozná svoje stanovisko. Pri každom prejazde po okraji na kontrolu správneho vedenia drôtu (⇒ 9.12) a pri určení východiskových bodov (⇒ 11.14) kosačka-robot uloží súradnice západného, východného, južného a severného bodu.

Táto plocha je definovaná ako domov. oblasť, tu sa môže používať kosačka-robot. Pri každom opakovanom prejazde po okraji sú aktualizované súradnice.

Pri aktivovanej **ochrane GPS** je majiteľ stroja upozornený, že sa stroj uviedol do prevádzky mimo domov. oblasti. Navyše sa na displeji kosačky-robotu zobrazí výzva na zadanie PIN kódu.

15. Uvedenie stroja do prevádzky

15.1 Príprava

i Pri **prvej inštalácii** máte k dispozícii sprievodcu inštaláciou. (⇒ 9.)

i Kosačka-robot sa nabíja a prevádzkuje pri okolitej teplote medzi +5°C a +40°C.

- Inštalácia nabíjacej stanice (⇒ 9.8)
- Natiahnite (⇒ 9.9) a pripojte (⇒ 9.10) obmedzovací vodič
- Odstráňte z kosenej plochy cudzie predmety (napr. hračky, náradie)
- Nabite akumulátor (⇒ 15.7)
- Nastavte dátum a čas (⇒ 11.10)

- Skontrolujte a v prípade potreby upravte plán kosenia – predovšetkým treba zabezpečiť, aby sa počas dób činnosti nenachádzali v nebezpečnej oblasti žiadne osoby. (⇒ 11.7)

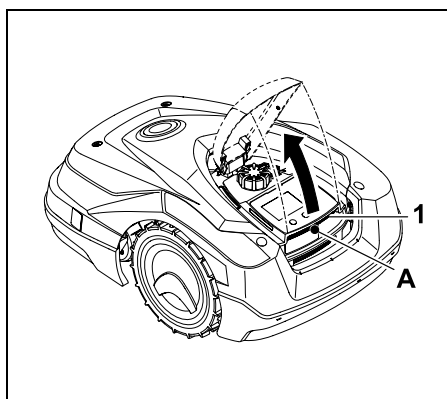
i Veľmi vysokú trávu pokoste pred použitím kosačky-robotu pomocou bežnej kosačky na trávu (napr. po dlhšej dobe nepoužívania).

15.2 Klapka

Kosačka-robot je vybavená klapkou, ktorá chráni displej pred počasím a neúmyselným používaním. Ak sa klapka počas prevádzky kosačky-robotu otvorí, zastaví sa jej prevádzka a kosačka-robot spolu so žacím nožom sa uvedú do stavu pokoja.

Otvoriť klapku:

i Pred otvorením klapky počas prevádzky kosačky-robotu sa z bezpečnostných dôvodov musí najprv stlačiť tlačidlo STOP.



Veźmite klapku (1) vo východiskovom bode (A) a uvoľnite ju ľahkým postrčením smerom dohora. Otvorte klapku až na doraz.

i Otvorenú klapku je možné smerom dohora odtiahnuť zo stroja. Takáto konštrukcia má bezpečnostný význam: Tým je zaručené, že stroj sa nebude dať zdvihnúť a prenášať pomocou klapky.

Zatvoriť klapku:

Opatrne posuňte klapku smerom nadol a nechajte ju zaklapnúť.

i Kosačku-robotu je možné uviesť do prevádzky len s úplne zaklapnutou klapkou.

15.3 Prispôsobenie programovania

Aktuálne naprogramované nastavenia si môžete pozrieť v **pláne kosenia**, resp. v **aplikácii iMOW®**. (⇒ 11.7) Plán kosenia sa vypočíta pri inštalácii, resp. pri vytvorení nového plánu kosenia na základe veľkosti kosenej plochy.

Je možné individuálne zmeniť **doby činnosti a trvanie kosenia**. Pri type plánu kosenia **Štandardný** sa kosačka-robot nabíja a kosí presne počas doby činnosti, pri type plánu kosenia **Dynamický**, potrebné fázy kosenia sa automaticky rozdelia a priradia k možným dobám činnosti. V prípade potreby môže počas jednej doby činnosti prebiehať aj viacero fáz kosenia a nabíjania. V prípade želanja sa okraj kosenej plochy bude automaticky kosiť v pravidelných odstupoch. (⇒ 11.13)

V rámci jedného dňa je možné nastaviť maximálne tri rôzne doby činnosti. (⇒ 14.3)

Ak chcete, aby kosačka-robot cielene prechádzala cez určité oblasti v rámci kosenej plochy, je potrebné zadefinovať konkrétne východiskové body. (⇒ 11.14)



Ak je zvolený typ plánu kosenia **Dynamický**, za určitých okolností (napr. pekné počasie alebo dostatočné časové okno) sa na optimálnu údržbu trávnik nepoužijú všetky doby činnosti.

Zmena **dôb činnosti**: (⇒ 11.7)

- Dodatočné doby činnosti pre ďalšie fázy kosenia.
- Prispôsobenie časového okna, aby sa napr. zabránilo koseniu ráno alebo cez noc.
- Vynechanie jednotlivých dôb činnosti, z dôvodu používania kosenej plochy napr. na oslavu.

Predĺženie **trvania kosenia**: (⇒ 11.7)

- Existujú oblasti, v ktorých je kosenie nedostatočné, napr. pretože má kosená plocha príliš komplikovaný tvar.
- Intenzívny rast trávy počas obdobia rastu
- Mimoriadne hustý trávnik

Skrátenie **trvania kosenia**: (⇒ 11.7)

- Pomalší rast trávy v dôsledku vysokých teplôt, chladu alebo sucha

Vytvorenie **nového plánu kosenia**: (⇒ 11.7)

- Zmenila sa veľkosť kosenej plochy.

Nová inštalácia: (⇒ 11.13)

- Nová poloha nabíjacej stanice
- Prvé uvedenie do prevádzky na novej kosenej ploche

15.4 Kosenie s režimom automatiky

- Zapnutie automatiky:
Pri zapnutej automatike sa na displeji zobrazuje vedľa symbolu akumulátora symbol automatiky. (⇒ 11.7)
- **Spustenie fáz kosenia**:
Pri type plánu kosenia **Štandardný** kosačka-robot jazdí a kosí trávnik na začiatku každej doby činnosti.
Pri type plánu kosenia **Dynamický** sa potrebné fázy kosenia automaticky rozdelia a priradia k možným dobám činnosti. (⇒ 14.3)
- Fázy kosenia **ukončiť**:
Keď sa vybijie akumulátor, kosačka-robot sa automaticky presunie do nabíjacej stanice. (⇒ 15.6)
Pomocou tlačidla **STOP** alebo ponuky „**Cesta domov**“ je možné kedykoľvek ukončiť prebiehajúce kosenie. (⇒ 5.1)
Aktivovaním **príkazu Domov** na nabíjacej stanici sa tiež okamžite ukončí prebiehajúce kosenie. (⇒ 13.1)
Proces kosenia môže byť navyše ukončený pomocou aplikácie – pošlite kosačku-robotu do nabíjacej stanice. (⇒ 10.)



Kosene plochy, do ktorých kosačka-robot prechádza cez **uličku**, sa upravujú len vtedy, ak sú na týchto plochách zadefinované východiskové body.

15.5 Kosenie nezávisle od daných dôb činnosti

- Nabitú kosačku-robotu aktivujte stlačením tlačidla. Tým sa zapne nabíjacia stanica.



Kosene plochy s nabíjacou stanicou:

- Okamžité kosenie:
Aktivujte príkaz **Spustiť kosenie** (⇒ 11.5).
Kosenie sa okamžite spustí a bude trvať až do zvoleného času. Pokiaľ je k dispozícii, je možné vybrať východis. bod.
- Spustiť kosenie pomocou aplikácie. (⇒ 10.)
Kosenie sa spustí po dosiahnutí zvoleného času začiatku a bude trvať až po zvolený čas ukončenia. Pokiaľ je k dispozícii, je možné vybrať východis. bod.
- Ručné ukončenie kosenia:
Pomocou tlačidla **STOP** alebo cez ponuku „Cesta domov“ (⇒ 11.6) je možné kedykoľvek ukončiť prebiehajúce kosenie. (⇒ 5.1)
Prostredníctvom aktivácie **príkazu Domov** na nabíjacej stanici sa tiež okamžite ukončí prebiehajúce kosenie. (⇒ 13.1)
Proces kosenia môže byť navyše ukončený pomocou aplikácie – pošlite kosačku-robotu do nabíjacej stanice. (⇒ 10.)



V prípade potreby kosačka-robot medzičasom nabije akumulátor a potom bude pokračovať v kosení až do zvoleného času ukončenia.

Vedľajšie plochy:

- Aktivujte kosačku-robotu umiestnenú v nabíjacej stanici. Tým sa aktivuje nabíjacia stanica.
- Kosačku-robotu preneste na vedľajšiu plochu.
- Aktivovať vedľajšiu plochu. (⇒ 12.10)

- Okamžité kosenie:
Aktivujte príkaz **Spustiť kosenie** (⇒ 11.5).
Kosenie sa okamžite spustí a bude trvať až do zvoleného času.
- Ukončiť kosenie:
Po dosiahnutí zvoleného času ukončenia sa kosačka-robot presunie k obmedzovaciemu vodiču a zostane stáť. Stroj preneste do nabíjacej stanice, aby sa nabil akumulátor, a potvrdte zobrazené hlásenie. (⇒ 24.)
Pomocou **tláča STOP** je možné kedykoľvek ručne ukončiť prebiehajúce kosenie. (⇒ 5.1)



i Ak sa akumulátor vybije ešte pred dosiahnutím zvoleného času ukončenia, kosenie sa príslušne skráti.

15.6 Zaparkujte kosačku-robotu do nabíjacej stanice

Parkovanie do nabíjacej stanice v režime automatiky:

Kosačka-robot sa automaticky presunie do nabíjacej stanice, keď uplynie doba činnosti, resp. keď sa vybije akumulátor.

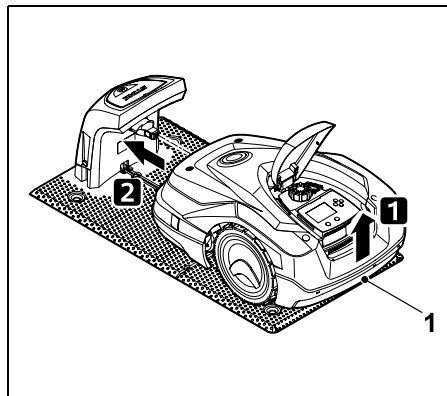
Vynútené parkovanie do nabíjacej stanice:

- V prípade potreby zapnite nabíjaciu stanicu (⇒ 13.1) 
- Aktivácia cesty domov. (⇒ 11.6)
Počas kosenia je možné aktivovať aj **príkaz Domov**  na nabíjacej stanici.
- Kosačku-robotu je možné poslať do nabíjacej stanice tiež pomocou aplikácie. (⇒ 10.)

i Počas prebiehajúcej doby činnosti sa po zaparkovaní do nabíjacej stanice nevykoná žiadne ďalšie kosenie.


Ručné parkovanie do nabíjacej stanice:

- Kosačku-robotu ručne potlačte do nabíjacej stanice.



Pomocou držadla na nosenie (1) mierne nadvihnite kosačku-robotu na odľahčenie hnacích kolies. Stroj nakloňte na predné kolesá a odtlačte ho po nich do nabíjacej stanice.

15.7 Nabíjanie akumulátora

 Akumulátor nabíjajte výlučne cez nabíjaciu stanicu. Akumulátor nikdy nevyberajte a nenabíjajte pomocou externej nabíjačky.


Automatické nabíjanie:


Pri **kosení** sa nabíjanie vykonáva automaticky vždy po dokončení kosenia, keď sa kosačka-robot zaparkuje do nabíjacej stanice.

Ručné spustenie nabíjania:

- Po použití **na vedľajších plochách** umiestnite kosačku-robotu na kosenú plochu a zaparkujte ju do nabíjacej stanice. (⇒ 15.6)
- Po **prerušení kosenia** pripojte kosačku-robotu do nabíjacej stanice. (⇒ 15.6)
- V prípade potreby ukončíte pohotovostný režim kosačky-robotu stlačením niektorého z tlačidiel. Automaticky sa spustí nabíjanie.

Nabíjanie:

Počas nabíjania sa na **indikátore stavu** zobrazuje text „Akumulátor sa nabíja“ .


Vo všetkých zvyšných ponukách sa v informačnej oblasti displeja zobrazí namiesto symbolu akumulátora symbol sieťovej zástrčky .


Dĺžka nabíjania je rôzna a automaticky sa prispôsobuje nasledujúcemu použitiu.

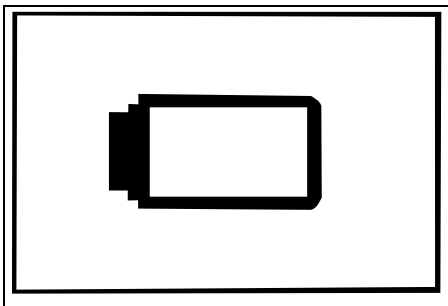
i Pri problémoch s nabíjaním sa na displeji zobrazí príslušné hlásenie. (⇒ 24.)

Akumulátor sa začne nabíjať, až keď klesne jeho napätie pod určitú hranicu.

Stav nabitia:

Na **indikátore stavu** si môžete priamo pozrieť momentálny stav nabitia, keď zvolíte príslušné zobrazenie. (⇒ 11.12) 

Vo všetkých ostatných ponukách slúži na zobrazenie stavu nabitia **symbol akumulátora** v informačnej oblasti displeja. (⇒ 11.3) 



Ak je nabitie akumulátora príliš nízke, zobrazí sa príslušný symbol akumulátora. V takom prípade odstavte kosačku-robota do nabíjacej stanice, aby sa nabila.

16. Údržba

! Nebezpečenstvo úrazu! Pred všetkými údržbárskymi alebo čistiacimi prácami na stroji si pozorne prečítajte a starostlivo dodržiavajte všetky bezpečnostné pokyny uvedené v kapitole „Pre vašu bezpečnosť“ (⇒ 6.), najmä v podkapitole „Údržba a opravy“ (⇒ 6.9).

Pred všetkými údržbárskymi- alebo čistiacimi prácami aktivujte blokovanie stroja. (⇒ 5.2)



Pred údržbárskymi prácami na nabíjacej stanici odpojte sieťový konektor.



Pri všetkých údržbárskych prácach, najmä pri prácach na žacom noži, noste pracovné rukavice.



16.1 Plán údržby

Intervaly údržby sa okrem iného riadia prevádzkovými hodinami. Príslušné počítadlo „Prevádz. čas“ je možné aktivovať v ponuke „Viac – Informácie“. (⇒ 11.18)

Zadané intervaly údržby sa musia presne dodržiavať.

Údržbárske práce počas dní s nastavenými dobami činnosti:

- Pohľadom skontrolujte celkový stav stroja a nabíj. stanice.
- Skontrolujte zobrazenie na displeji – aktuálny čas a štart nasledujúceho kosenia.
- Skontrolujte kosenú plochu a v prípade potreby z nej odstráňte cudzie predmety a pod.
- Skontrolujte, či je nabitý akumulátor. (⇒ 15.7)

Týždenné údržbárske práce:

- Vyčistite stroj. (⇒ 16.2)
- Pohľadom skontrolujte žací nôž, upevnenie noža a žací mechanizmus, či nie sú poškodené (zárezy, praskliny, zlomené miesta atď.) a opotrebované. (⇒ 16.3)

Po každých 200 hodinách:

- Vymeňte žací nôž. (⇒ 16.3)

Ročné údržbárske práce:

- STIHL odporúča raz za rok počas zimných mesiacov inšpekciu, ktorú vykoná špecializovaný predajca STIHL. Pri tom prebehne hlavne údržba akumulátora, elektroniky a softvéru.

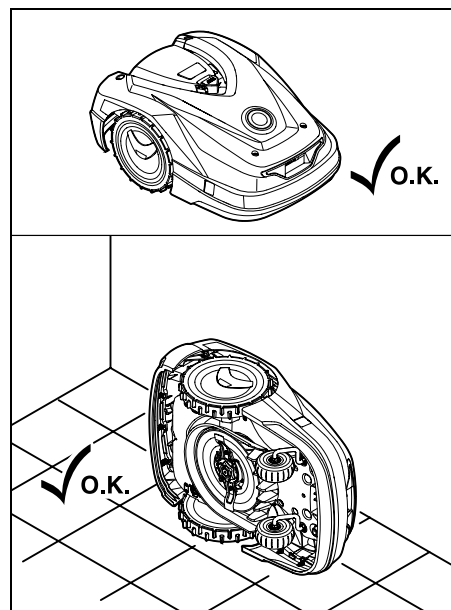
! Aby mohol špecializovaný predajca vykonať všetky údržbárske práce podľa daných predpisov, zmeňte nastavenie bezpečnostnej úrovne na možnosť „Žiadna“ alebo poskytnite predajcovi vami používaný kód PIN.

16.2 Vyčistenie stroja

Starostlivé zaobchádzanie chráni stroj pred poškodením a predlžuje jeho prevádzkovú životnosť.

Poloha na čistenie a údržbu:

! Pred čistením zabezpečte, aby bol otočný gombík riadne namontovaný, inak sa do stroja môže dostať voda.



Na vyčistenie **vrchnej strany stroja** (kapota, klapka) odstavte stroj na plochý, pevný a vodorovný podklad. Na vyčistenie **spodnej strany stroja** (žací nôž, žací mechanizmus) nakloňte robotickú kosačku na ľavú alebo pravú stranu podľa názornenia na obrázku a oprite ju o stenu.

- Nečistoty odstráňte kefou alebo handrou. Vyčistite najmä žací nôž, nabíjacie kontakty kosačky – robot a nabíjacej stanice.
- Usadené zvyšky trávy v žacej skrini a v žacom mechanizme ešte predtým uvoľnite kúskom dreva.
- V prípade potreby použite špeciálny čistiaci prostriedok (napr. špeciálny čistiaci prostriedok značky STIHL).
- V pravidelných intervaloch demontujte unášací kotúč a odstráňte zvyšky trávy. (⇒ 16.6)

i Unášací kotúč musí byť pri vlhkom počasí čistený častejšie. Špina usadená medzi unášacím kotúčom a skriňou žacieho mechanizmu spôsobuje trenie, a tým väčšiu spotrebu energie.

16.3 Kontrola opotrebovania žacieho noža

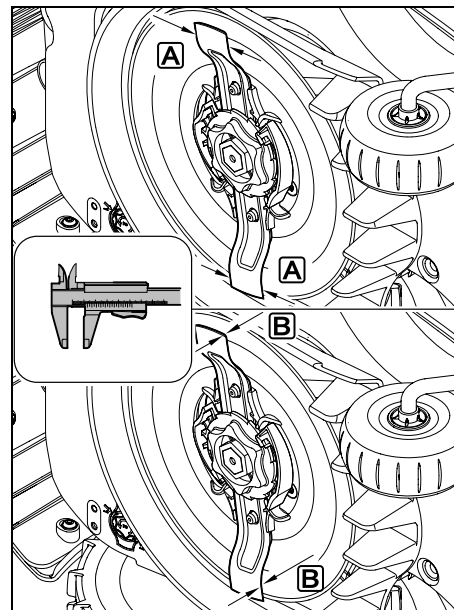


Nebezpečenstvo úrazu!

Opotrebovaný žací nôž sa môže zlomiť a spôsobiť tak závažné poranenia. Preto je dôležité dodržiavať pokyny na údržbu žacieho noža. V závislosti od miesta použitia a doby použitia sa môže opotrebovanie žacích nožov značne líšiť. Ak sa stroj často používa na piesočnatej pôde, resp. pri suchom počasí, dochádza k väčšiemu namáhaniu, a tým aj k nadmernému opotrebovaniu žacích nožov.

Žací nôž vymieňajte minimálne každých 200 prevádzkových hodín – neostrite ho. (⇒ 16.5)

- Aktivujte blokovanie stroja. (⇒ 5.2)
- Kosačku-robota nakloňte nabok a bezpečne oprite o stabilnú stenu. Dôkladne vyčistite žací mechanizmus, ako aj žací nôž. (⇒ 16.2)



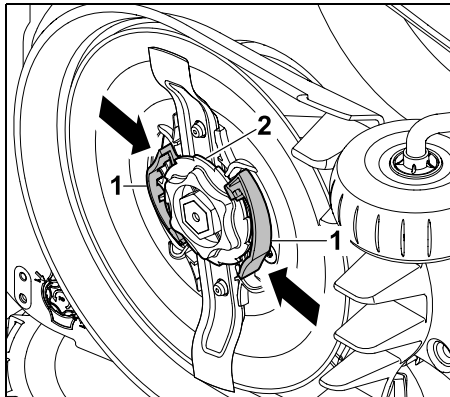
Skontrolujte šírku noža **A** a hrúbku noža **B** pomocou posuvného meradla. Ak je žací nôž na jednom mieste užší než **25 mm** alebo tenší než **1,3 mm**, musíte ho vymeniť.

16.4 Demontáž a montáž žacieho noža

- Zapnite blokovanie stroja (⇒ 5.2) a nasadte si rukavice.
- Kosačku-robota nakloňte nabok a bezpečne oprite o stabilnú stenu. Dôkladne vyčistite žací mechanizmus, ako aj žací nôž. (⇒ 16.2)



Demontáž žacieho noža:



Obe západky (1) na unášacom kotúči stlačte a podržte jednou rukou. Druhou rukou vyskrutkujte upevňovaciu maticu (2).



Demontujte žací nôž spolu s upevňovacou maticou.

Montáž žacieho noža:

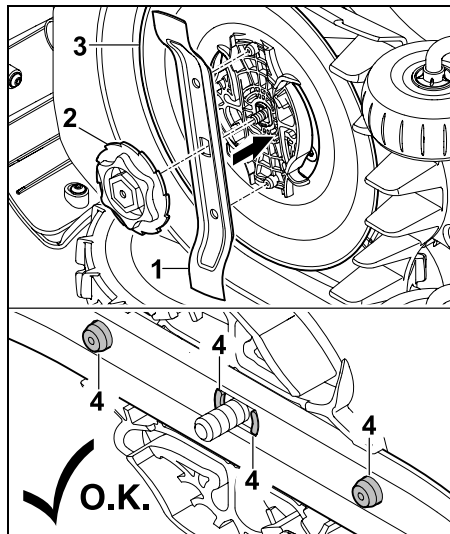


Nebezpečenstvo úrazu!

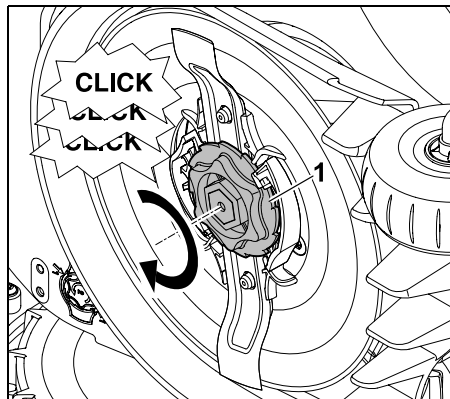
Pred montážou nôž skontrolujte, či nie je poškodený. Ak sú na noži viditeľné zárezy alebo praskliny, resp. ak je na niektorom mieste užší ako 25 mm alebo tenší ako 1,3 mm, treba ho vymeniť. (⇒ 16.3)

Unášací kotúč a upevňovacia matica sa musia tiež vymeniť za nové, ak dôjde k ich poškodeniu (napr. zlomením alebo opotrebovaním). Je veľmi dôležité, aby upevňovacia matica dokonale zapadla do unášacieho kotúča.

- Nôž, unášací kotúč a upevňovaciu maticu pred montážou vyčistite.



Žací nôž (1) a upevňovaciu maticu (2) nasadíte na unášací kotúč (3) podľa znázornenia na obrázku. Dbajte pritom na správnu polohu upevňovacích výstupkov (4) v žacom noži.



Upevňovaciu maticu (1) naskrutkujte až na doraz. Počas doťahovania budete počuť niekoľko cvaknutí. Opatrným pokývaním skontrolujte bezpečné upevnenie žacieho noža.

- Po namontovaní nového žacieho noža potvrďte v ponuke „Servis“ výmenu nožov. (⇒ 11.17)

16.5 Brúsenie žacieho noža

Žací nôž **nikdy** nebrúste.

Spoločnosť STIHL odporúča **vždy** nahradiť tupý žací nôž novým nožom.



Iba nový žací nôž je vyvážený s náležitou presnosťou a zaručuje správnu funkciu prístroja, ako aj nízku hladinu hluku.

16.6 Montáž a demontáž unášacieho kotúča



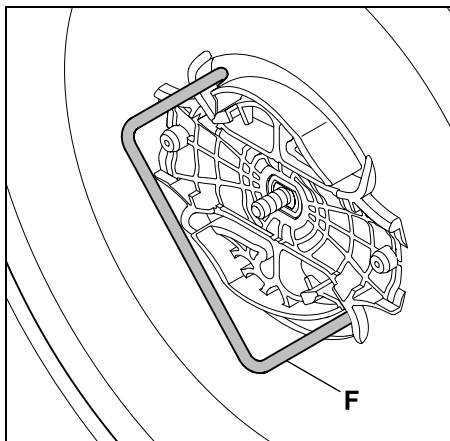
Unášací kotúč je možné demontovať na účely čistenia žacieho mechanizmu.

- Zapnite blokovanie stroja (⇒ 5.2) a nasadte si rukavice.
- Kosačku-robota nakloňte nabok a bezpečne oprite o stabilnú stenu. Dôkladne vyčistite žací mechanizmus, ako aj žací nôž. (⇒ 16.2)

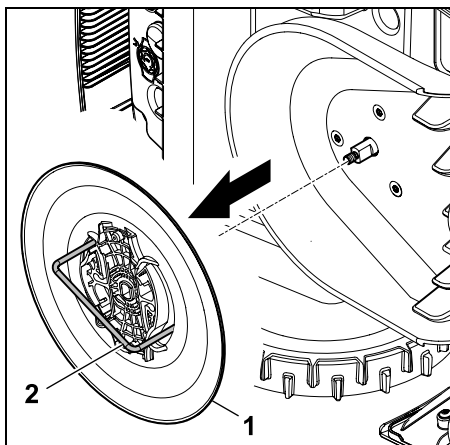


Demontáž unášacieho kotúča:

- Demontáž žacieho noža. (⇒ 16.4)

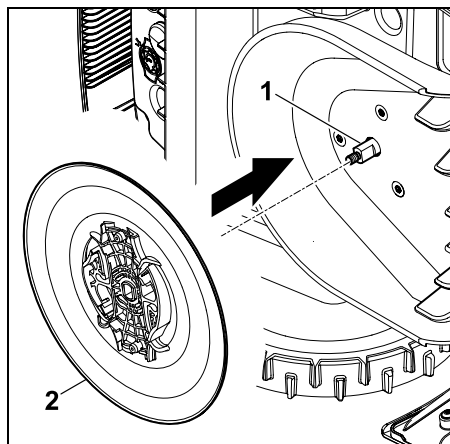


Sťahovák (F) zasuňte a pootočte ho až na doraz proti smeru pohybu hodinových ručičiek.



Podopierajte stroj jednou rukou. Unášací kotúč (1) odtiahnite za odťahovač (2).

Montáž unášacieho kotúča:



Dôkladne očistite hriadeľ noža (1) a upínadlo unášacieho kotúča (2). Posuňte unášací kotúč až na doraz na hriadeľ noža.

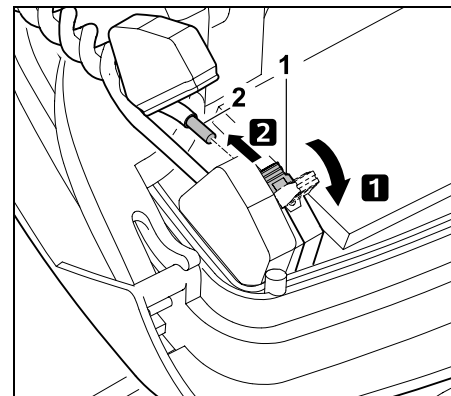
- Montáž žacieho noža. (⇒ 16.4)

16.7 Nájst' preruš. drôtu

i Ak dôjde k prerušeniu drôtu, bude na nabíjacej stanici rýchlo blikať červený ukazovateľ LED. (⇒ 13.1) Na displeji kosačky-robota sa zobrazí príslušné hlásenie.

Ak sa vám miesto prerušenia drôtu nepodarí nájsť podľa uvedených pokynov, kontaktujte predajcu.

- Pred vyhľadáním prerušenia drôtu sa musí **1-krát** stlačiť tlačidlo na nabíjacej stanici (LED bude naďalej rýchlo blikať).
- Zveste kryt nabíjacej stanice a vyklopte panel. (⇒ 9.2)

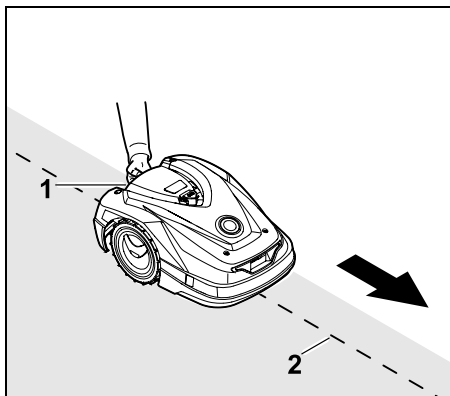


1 Vyklopte ľavú upínaciu páku (1).
2 Koniec drôtu (2) odpojte od upínacej konzoly a znova zatvorte upínaciu páku.

- Zaklapnite panel a nasadte kryt nabíjacej stanice. (⇒ 9.2)

Následne je hľadanie miesta prerušenia drôtu popísané v smere pohybu hodinových ručičiek, čo znamená, že obmedzovací vodič sa bude obchádzať z nabíjacej stanice v smere pohybu hodinových ručičiek. Hľadanie je možné vykonať tiež proti smeru pohybu hodinových ručičiek, potom je nutné odstrániť pravý koniec drôtu z upínacej konzoly.

- V ponuke „Viac – Servis“ vyberte položku „Nájst' preruš. drôtu“ a výber potvrdte stlačením tlačidla OK. (⇒ 11.17)



Prechádzajte kosačkou-robotom smerom od nabíjacej stanice pozdĺž okraja kosenej plochy **v smere pohybu hodinových ručičiek**. Pritom stroj vzadu mierne nadvihnite pomocou držadla na nosenie (1), aby ste odľahčili hnacie kolesá. Kosačku-robotu nakloňte na predné kolesá a prechádzajte ňou ponad obmedzovací vodič (2). Dbajte pritom na to, aby obmedzovací vodič (2) neustále prechádzal popod snímače drôtu. Snímače drôtu sú namontované s ochranou vľavo a vpravo v prednej časti kosačky-robotu.

Na displeji sa pri vyhľadávaní preruš. drôtu zobrazí **sila signálu**, snímače drôtu sú optimálne umiestnené nad obmedzovacím vodičom, keď je hodnota najvyššia.

Keď snímače signálu správne prijímajú drôtový signál, na displeji sa zobrazuje symbol **Drôtový signál OK**.



Na mieste prerušenia drôtu klesne intenzita signálu a na displeji sa zobrazí symbol pre **Kontrolu drôt. signálu**.

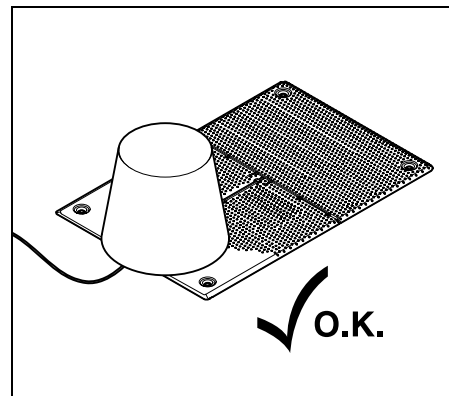


- Drôt na mieste prerušenia znovu prepojte pomocou drôtovej spojky (⇒ 12.16), v prípade potreby znovu položte obmedzovací vodič v oblasti, kde došlo k jeho prerušeniu.
- Znovu pripojte ľavý koniec drôtu. (⇒ 9.10)
- Ak bolo prerušenie drôtu správne opravené, bude červený ukazovateľ LED svietiť. (⇒ 13.1)

16.8 Uskladnenie stroja a zimná prestávka

Pri **odstavení** robotickej kosačky (napr. zimná prestávka, medziuskladnenie) dodržiavajte nasledovné body:

- Nabite akumulátor. (⇒ 15.7)
- Uveďte robotickú kosačku do zimného spánku. (⇒ 11.17)
- Odpojte zástrčku sieťového napájacieho adaptéra od elektrickej siete.
- Dôkladne vyčistite všetky vonkajšie diely robotickej kosačky a nabíjacej stanice.



Nabíjaciu stanicu zakryte vhodným vedrom. Vedro zafixujte.

- Robotickú kosačku uskladnite stojacu na kolesách v suchej, uzavretej a bezprašnej miestnosti. Uistite sa, že je stroj bezpečne uskladnený mimo dosahu detí.
- Robotickú kosačku skladujte iba v bezchybnom prevádzkovom stave.
- Skontrolujte pevné dotiahnutie všetkých skrutiek, poškodené či nečitateľné výstražné a bezpečnostné symboly na stroji vymeňte za nové, skontrolujte celkové opotrebovanie a riadny technický stav celého stroja. Opotrebované alebo poškodené diely vymeňte.
- Prípadné chyby na stroji je potrebné odstrániť zásadne ešte pred jeho uskladnením.



Na robotickú kosačku nikdy neodkladajte, resp. neuskladňujte žiadne predmety.

Teplota v skladovacom priestore nesmie klesnúť pod 5 °C.

Opätovné uvedenie kosačky-robota do prevádzky po dlhšej odstavke:



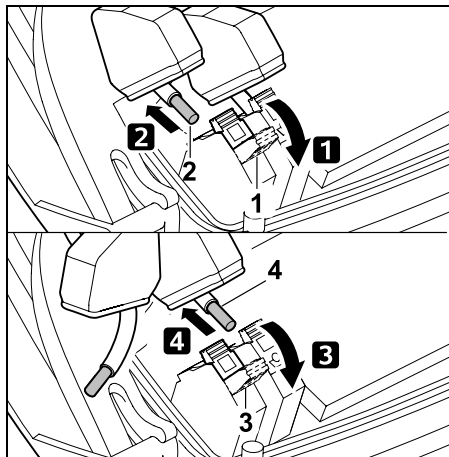
Po dlhšie trvajúcej odstavke môže byť v určitých prípadoch potrebné správne nastaviť dátum a čas. Počas uvedenia do prevádzky sa zobrazia príslušné okná výberu. Ak sa okná výberu nezobrazia automaticky, skontrolujte a v prípade potreby upravte dátum a čas v ponuke „Nastavenia“. (⇒ 11.10)

- **Príprava kosenej plochy:** Odstráňte z nej cudzie predmety a pokoste veľmi vysokú trávu pomocou bežnej kosačky na trávu.
- Uvoľnite nabíjaciu stanicu a pripojte sieťový diel do elektrickej siete.
- Nabite akumulátor. (⇒ 15.7)
- Spárujte kosačku-robota a nabíjaciu stanicu. (⇒ 9.11)
- Odstráňte prekážky a cudzie telesá v oblasti krajov. Spustite jazdu po okraji a skontrolujte, či sa uličkami a úzkymi miestami dá prejsť. (⇒ 11.13)
- Skontrolujte plán kosenia a v prípade potreby ho zmeňte. (⇒ 11.7)
- Zapnite automatiku. (⇒ 11.7)
- V prípade potreby aktivujte štandardný energ. režim (⇒ 11.10) a zapnite ochranu GPS. (⇒ 5.9)

16.9 Demontáž nabíjacej stanice

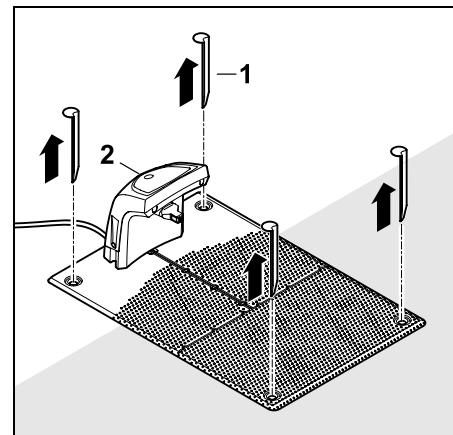
Pri **dlhšej odstavke** kosačky-robota (na pr. zimná prestávka) je možné demontovať aj nabíjaciu stanicu.

- Príprava kosačky-robota na dlhšiu odstavku (⇒ 16.8)
- Odpojte zástrčku sieťového napájacieho adaptéra od elektrickej siete
- Zveste kryt nabíjacej stanice a vyklopte panel (⇒ 9.2)



- 1** Vyklopte pravú upínaciu páku (1).
- 2** Odoberte pravý koniec drôtu (2) z upínacej konzoly. Upínaciu páku (1) znovu zatvorte.
- 3** Vyklopte ľavú upínaciu páku (3).
- 4** Odoberte ľavý koniec drôtu (4) z upínacej konzoly. Upínaciu páku (3) znovu zatvorte.

- Zaklapnite panel (⇒ 9.2)
- Pravý a ľavý koniec obmedzovacieho vodiča oddelene vyvlečte z nabíjacej stanice
- Nasadte kryt nabíjacej stanice (⇒ 9.2)



Vytiahnite kliny (1), nabíjaciu stanicu (2) odoberte pomocou pripojeného sieťového dielu z kosenej plochy, poriadne vyčistite (pomocou vlhkej utierky) a naskladnite.

- Kosačku-robota spolu s nabíjacou stanicou a sieťovým napájacím adaptérom uskladnite v normálnej polohe do suchej, uzavretej a bezprašnej miestnosti. Kosačku-robota zaparkujte do nabíjacej stanice. Uistite sa, že je stroj bezpečne uskladnený mimo dosahu detí.
- Nechránené konce obmedzovacieho vodiča ochráňte pred poveternostnými vplyvmi – napr. ich zalepte vhodnou izolačnou páskou.
- Pri opätovnej montáži nabíjacej stanice inštalujte tak, ako pri prvotnej inštalácii – hlavne na správnu stranu pripojte ľavý a pravý koniec obmedzovacieho vodiča. (⇒ 9.10)

17. Bežné náhradné diely

Žací nôž:

6301 702 0101

18. Príslušenstvo

- **STIHL súprava S** pre kosené plochy do 500 m²
- **STIHL súprava L** pre kosené plochy veľkosti 2000 m² – 4000 m²
- Upevňovacie kolíky **STIHL AFN 075**
- Obmedzovací vodič **STIHL ARB 501**:
Dĺžka: 500 m
Priemer: 3,4 mm
- Drôtová spojka **STIHL ADV 010**

Pre stroj je k dispozícii ďalšie príslušenstvo.

Podrobné informácie získate u špecializovaného predajcu výrobkov STIHL, na internete (www.stihl.com) alebo v katalógu výrobkov STIHL.



Na stroji je z bezpečnostných dôvodov povolené používať len príslušenstvo schválené spoločnosťou STIHL.

19. Opatrenia na minimalizovanie opotrebovania a na zabránenie vzniku škôd

Dôležité pokyny na údržbu a ošetrovanie skupiny výrobkov

Kosačka-robot poháňaná akumulátorom (STIHL RMI)

Firma STIHL v žiadnom prípade neručí za škody na zdraví alebo materiálne škody, ktoré boli spôsobené nedodržaním bezpečnostných pokynov, predovšetkým pokynov týkajúcich sa bezpečnosti, obsluhy a údržby a použitím neschváleného príslušenstva alebo neschválených náhradných dielov.

Ak chcete predísť poškodeniu alebo nadmernému opotrebovaniu stroja STIHL, bezpodmienečne dodržiavajte nasledujúce dôležité pokyny:

1. Bežné spotrebné náhradné diely

Niektoré diely strojov STIHL podliehajú bežnému prevádzkovému opotrebeniu i pri predpísanom používaní, a preto sa tieto diely musia v závislosti od spôsobu a doby použitia vždy včas vymeniť.

Medzi tieto diely patrí napr.:

- Žací nôž
- Akumulátor
- Pneumatika.

2. Dodržovanie pokynov uvedených v tomto návode na obsluhu

Používanie, údržba a uskladnenie stroja STIHL musí prebiehať tak dôkladne, ako je popísané v tomto návode na obsluhu. Za všetky škody, ku ktorým došlo následkom

nedodržania bezpečnostných pokynov a pokynov pre obsluhu a údržbu, zodpovedá sám užívateľ.

To platí predovšetkým pre:

- nesprávne zaobchádzanie s akumulátorom (nabíjanie, skladovanie),
- nesprávne pripojenie na elektrickú sieť (nesprávne napätie),
- úpravy výrobku, ktoré neboli schválené spoločnosťou STIHL,
- použitie náradia a príslušenstva, ktoré pre stroj nie sú schválené, ktoré sú nevhodné alebo nekvalitné,
- použitie výrobku na iný účel,
- použitie stroja na športových alebo súťažných podujatiach,
- následné škody, ktoré vznikli ďalším používaním výrobku s chybnými súčiastkami.

3. Údržbárske práce

Všetky práce uvedené v odstavci „Údržba“ sa musia vykonávať pravidelne, podľa predpísaných intervalov.

Pokiaľ tieto údržbárske práce nemôže vykonať sám užívateľ, musí tým poveriť špecializovaného predajcu.

Spoločnosť STIHL odporúča nechať vykonávať všetky údržbárske práce a opravy len u špecializovaného predajcu STIHL.

Odborní predajcovia STIHL budú pravidelne ponúkať školenia a poskytovať technické informácie.

Zanedbaním týchto prác môžu vzniknúť škody, za ktoré zodpovedá sám užívateľ.

K tomu okrem iného patria:

- škody na stroji v dôsledku nedostatočného alebo nesprávneho čistenia,
- škody v dôsledku korózie a iné následné škody spôsobené nevhodným skladovaním,
- škody na stroji spôsobené použitím nekvalitných náhradných dielov,
- škody v dôsledku neskoro alebo nedostatočne vykonanej údržby, resp. v dôsledku údržbárskych prác alebo opráv, ktoré nevykonal servis špecializovaného predajcu.

20. Ochrana životného prostredia

Stroj, príslušenstvo a obaly sú vyrobené z recyklovateľných materiálov – musia sa zlikvidovať príslušným spôsobom.

Triedenie a ekologická likvidácia odpadových materiálov je základným predpokladom pre efektívnu recykláciu cenných surovín. Z tohto dôvodu sa musí stroj po ukončení bežnej technickej životnosti odovzdať do zberu triedeného materiálu. Pri likvidácii stroja dodržujte pokyny uvedené v kapitole „Likvidácia“ (⇒ 6.11)



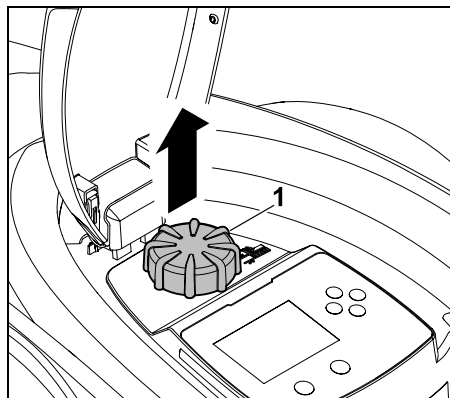
Odpadové materiály ako akumulátory vždy zlikvidujte odborným spôsobom. Dodržujte platné miestne predpisy.



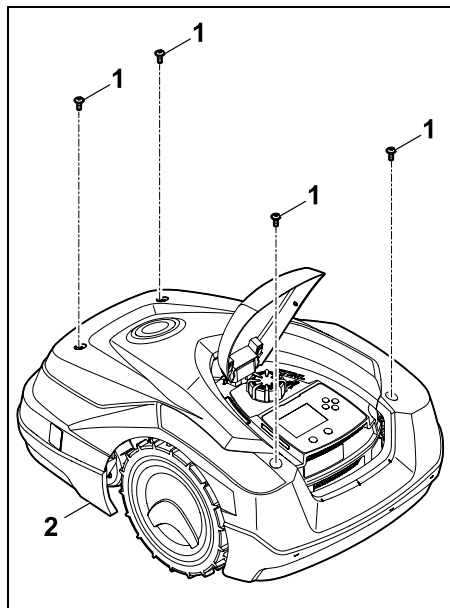
Lítiové akumulátory nepatria do domáceho odpadu, ale sa musia odovzdať u špecializovaného predajcu alebo do komunálnej zberne zvláštneho odpadu.

20.1 Demontáž akumulátora

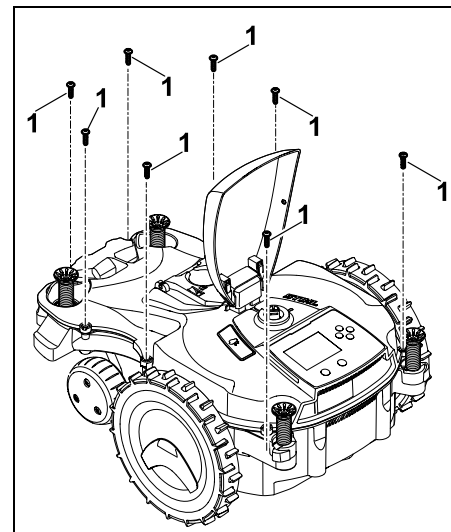
- Aktivujte blokovanie stroja. (⇒ 5.2)
- Otvorte klapku. (⇒ 15.2)



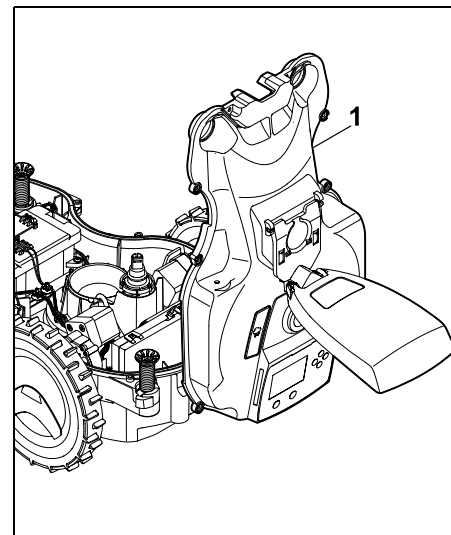
Otáčací gombík (1) odtiahnite smerom nahor.



Vyskrutkujte a odoberte skrutky (1) na kryte (2). Kryt (2) odtiahnite smerom nahor.



Vyskrutkujte a odoberte skrutky (1).



Horný diel skrine (1) odklopte dozadu.

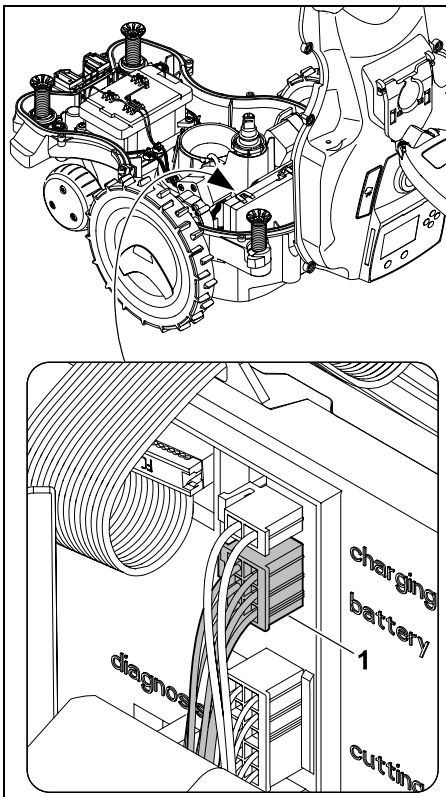


Nebezpečenstvo poranenia!

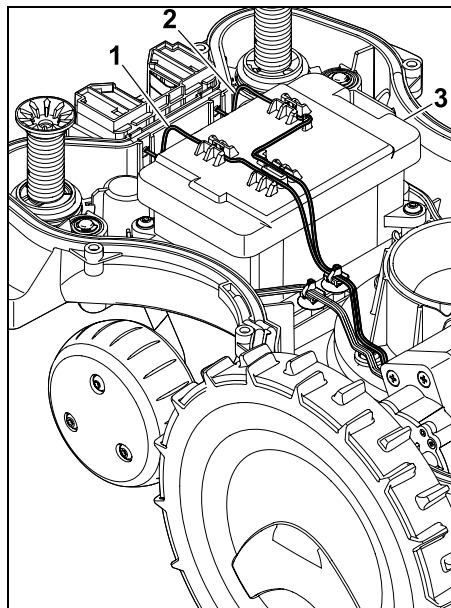
Na akumulátore nesmú byť oddelené žiadne káble.

Nebezpečenstvo skratu!

Kábel uvoľňujte a odoberajte vždy spoločne s akumulátorom.



Odpojte zástrčku na kábel (1) (batéria).



Odoberte kábel (1) a kábel (2) z káblových vedení a odoberte akumulátor (3).



Nebezpečenstvo poranenia!

Zabráňte poškodeniu akumulátora.

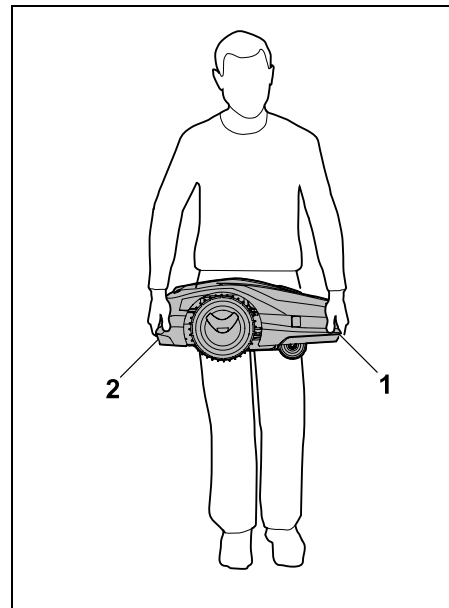
21. Preprava stroja



Nebezpečenstvo úrazu!

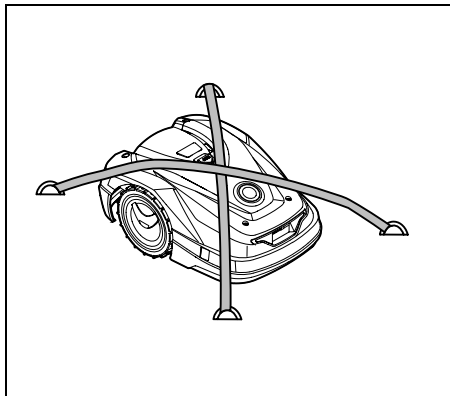
Pred prepravou stroja vždy aktivujte blokovanie stroja a dôkladne si prečítajte a presne dodržiavajte všetky bezpečnostné pokyny uvedené v kapitole „Pre vašu bezpečnosť“ (⇒ 6.), predovšetkým podkapitolu „Preprava stroja“ (⇒ 6.5). (⇒ 5.2)

21.1 Zdvíhanie alebo prenášanie stroja



Kosačku-robota dvíhajte a prenášajte na prednom držiaku na nosenie (1) a zadnom držiaku na nosenie (2). Pritom dodržiavajte oddelenie a dostatočnú vzdialenosť žacieho noža od tela, predovšetkým od chodidiel a nôh.

21.2 Upevnenie stroja



Kosačku-robota bezpečne upevnite na ložnej ploche. Podľa znázornenia na obrázku upevnite stroj pomocou vhodných upínacích prostriedkov (popruhy, laná).

Diely stroja, ktoré prepravujete spolu so strojom (napr. nabíjacia stanica, drobné súčiastky), tiež zaistite proti zošmyknutiu.

22. Prehlásenie o zhode výrobcom

22.1 Vyhlásenie o zhode výrobcom ku kosačke-robotovi s elektrickým akumulátorovým pohonom (RMI) s nabíjacou stanicou (ADO)

Vyrobil:

STIHL Tirol GmbH
Hans-Peter-Stihl-Straße 5
6336 Langkampfen
Rakúsko

Spoločnosť ANDREAS STIHL AG & Co. KG vyhlasuje na vlastnú zodpovednosť, že

Konštrukčný typ: Kosačka na trávu, automatická a poháňaná akumulátorom
Výrobná značka: STIHL
Typ: RMI 522.0 C
Sériové identifikačné číslo: 6305

Konštrukčný typ: Nabíjacia stanica
Výrobná značka: STIHL
Typ: ADO 500
Firmvér V 2.00
Sériové identifikačné číslo: 6301

zodpovedá príslušným ustanoveniam smerníc 2006/42/EC, 2011/65/EU, 2006/66/EC, 2014/53/EU a bola vyvinutá a zhotovená v súlade s danými verziami nasledujúcich noriem platných k dátumu výroby:
EN 50636-2-107, EN 60335-1 Ed 5, EN 55014-1, EN 55014-2, EN 61000-3-2, EN 61000-3-3

ETSI EN 301 489-1 V2.2.3
ETSI EN 301 489-19 V2.1.1
ETSI EN 301 489-52 V2.1.1
ETSI EN 301 511 V 12.5.1
ETSI EN 301 908-1 V13.1.1
ETSI EN 301 908-13 V13.1.1
ETSI EN 303 413 V1.1.1
ETSI EN 303 447 V1.2.0

Notifikovaný orgán TÜV Rheinland LGA Products GmbH, č. 0197 overil zhodu podľa prílohy III, modulu B uvedenej smernice 2014/53/EU a vystavil nasledujúci certifikát o typovej skúške EÚ: RT 60154540 0001

Uschovanie technických podkladov: Andreas STIHL AG & Co. KG
Schválenie výrobku

Rok výroby a číslo stroja (sér. číslo) sú uvedené na stroji.

Waiblingen, 02.11.2020

ANDREAS STIHL AG & Co. KG

i. V.

A handwritten signature in cursive script, appearing to read 'J. Hoffmann'.

Dr. Jürgen Hoffmann, vedúci údajov a predpisov o výrobku a povolenia

23. Technické údaje

Sériové identifikačné číslo	6305
Systém kosenia	Mulčovací žací mechanizmus
Rezné zariadenie	rotačný nôž
Šírka záberu pri kosení	20 cm

Otáčky rezného mechanizmu	4450 ot./min
Typ akumulátora	lítiový
Napätie akumulátora	
U_{DC}	18,0 V
Výška kosenia	20 - 60 mm
Trieda ochrany	III
Druh ochrany	IPX4
Podľa EN 50636-2-107:	
Hladina akustického tlaku L_{pA}	52 dB(A)
Tolerancia K_{pA}	2 dB(A)
Podľa 2000/14/EG / S.I. 2001/1701:	
Nameraná hladina akustického výkonu	
L_{WA}	60 dB(A)
Tolerancia K_{WA}	2 dB(A)
$L_{WA} + K_{WA}$	62 dB(A)
Dĺžka	60 cm
Šírka	43 cm
Výška	27 cm
Výkon	60 W
Označenie akumulátora	AAI 100
Kapacita akumulátora	4,9 Ah
Hmotnosť	9,7 kg

Mobilný prijímač:

Podporované frekvenčné pásmo:	E-GSM-900 a DCS-1 800
-------------------------------	--------------------------

Vyžarovaný maximálny výkon vysiela:

E-GSM-900:	880 – 915 MHz: 33,0 dBm
DCS-1800:	1 710 – 1 785 MHz: 30,0 dBm

Vyžarovaný maximálny výkon vysiela:

LTE-CAT-M1:	698 – 960 MHz: 23 dBm
LTE-CAT-M1:	1 710 – 2 170 MHz: 23 dBm

Nabíjacia stanica ADO 500:

Napätie U_{DC}	27 V
Trieda ochrany	III
Druh ochrany	IPX4
Hmotnosť	2,7 kg

Obmedzovací vodič a vyhladávací slučka:

Frekvenčný rozsah:	1,0 kHz – 90 kHz
Maximálna intenzita poľa	< 72 μ A/m

Sieťový napájací adaptér:

	OWA-60E-27
	2,23 A
Sieťové napätie U_{AC}	100-240 V
Frekvencia	50/60 Hz
Rovnomerné napätie U_{DC}	27 V
Trieda ochrany	II
Druh ochrany	IP67

Preprava akumulátorov značky STIHL:

Akumulátory od spoločnosti STIHL spĺňajú predpoklady príručky OSN ST/SG/AC.10/11/rev.5 diel III, odsek 38.3.

Používateľ môže akumulátory STIHL prepravovať po cestných komunikáciách na miesto používania stroja bez potreby ďalšieho zvláštneho balenia.

Pri preprave lietadlom alebo loďou sa musia dodržiavať príslušné národné predpisy.

Ďalšie pokyny k preprave nájdete na stránke <http://www.stihl.com/safety-data-sheets>

REACH:

REACH označuje nariadenie EÚ na registráciu, zhodnocovanie a schvaľovanie chemikálií. Informácie o spĺňaní nariadení REACH (EÚ) č. 1907/2006 pozri na stránke www.stihl.com/reach.

24. Hlásenia

Hlásenia poskytujú informácie o aktívnych chybách, poruchách a odporúčaníach. Zobrazujú sa v dialógovom okne a je možné ich vyvolať stlačením tlačidla OK v ponuke „Viac – Informácie – Hlásenia“. (⇒ 11.18)

Odporúčania a aktívne hlásenia sa zobrazujú aj na indikátore stavu. (⇒ 11.2)

V podrobnostiach hlásenia si môžete pozrieť kód hlásenia, čas vzniku, prioritu a frekvenciu výskytu.

- **Odporúčania** majú prioritu „Nízka“ alebo „Inform.“, zobrazujú sa na indikátore stavu striedavo s textom „iMOW® prip. na prevádzku“. Kosačka-robot môže byť naďalej uvedená do prevádzky, automatická prevádzka naďalej prebieha.
- **Poruchy** majú prioritu „stredná“ a vyžadujú konanie používateľa. Kosačka-robot môže byť uvedená do prevádzky až po odstránení poruchy.

- Pri **chybách**, ktorých prioritou je „Vysoká“, sa na displeji zobrazí text „Kontaktujte predajcu“.
- Kosačku-robot je možné znova používať až po odstránení chyby špecializovaným predajcom výrobkov značky STIHL.



i Ak zostane niektoré hlásenie aktívne aj po vykonaní odporúčanej nápravy, je potrebné obrátiť sa na špecializovaného predajcu výrobkov značky STIHL.

Chyby, ktoré môže odstrániť výlučne špecializovaný predajca výrobkov značky STIHL, nie sú v nasledujúcej časti uvedené. Ak sa vyskytne takýto druh chyby, poskytnite špecializovanému predajcovi 4-miestny kód chyby a text chyby.

i Hlásenia, ktoré negatívne ovplyvňujú prevádzku, budú hlásené tiež aplikáciou. (⇒ 10.)

Kosačka-robot po odoslaní hlásení prejde do pohotovostného režimu a za účelom úspory akumulátora deaktivuje prevádzku mobilného telefónu.

Hlásenie:

0001 – Údaje aktualizované
Na povolenie stlačte OK

Možná příčina:

- Vykonala sa aktualizácia softvéru v stroji
- Pokles napätia

- Softvérová, resp. hardvérová chyba

Náprava:

- Po stlačení tlačidla OK funguje kosačka-robot s predvolenými nastaveniami – skontrolujte a opravte nastavenia (Dátum, Čas, Plán kosenia).

Hlásenie:

0100 – Akumulátor vybitý
Nabiť akumulátor

Možná příčina:

- Napätie akumulátora je príliš nízke.

Náprava:

- Odstavte kosačku-robotu do nabíjacej stanice, aby sa nabíjal akumulátor (⇒ 15.7)

Hlásenie:

0180 – Príliš nízka teplota hlavnej dosky spojov

Možná příčina:

- Teplota vo vnútri kosačky-robotu je príliš nízka

Náprava:

- Nechajte zohriať kosačku-robotu.

Hlásenie:

0181 – Vysoká teplota
Hlavná doska spojov

Možná příčina:

- Teplota vo vnútri kosačky-robotu je príliš vysoká.

Náprava:

- Kosačku-robotu nechajte vychladnúť

Hlásenie:

0183 – Teplota vysoká
Modul ovládania nabíjania

Možná příčina:

- Teplota vo vnútri kosačky-robotu je príliš vysoká.

Náprava:

- Kosačku-robotu nechajte vychladnúť

Hlásenie:

0185 – Teplota vysoká
Modul ovládania pojazdu

Možná příčina:

- Teplota vo vnútri kosačky-robotu je príliš vysoká.

Náprava:

- Kosačku-robotu nechajte vychladnúť

Hlásenie:

0186 – Nízka teplota
Akumulátora

Možná příčina:

- Príliš nízka teplota akumulátora

Náprava:

- Nechajte zohriať kosačku-robotu.

Hlásenie:

0187 – Vysoká teplota
Akumulátora

Možná příčina:

- Príliš vysoká teplota akumulátora

Náprava:

- Kosačku-robotu nechajte vychladnúť

Hlásenie:

0302 – Chyba motora pohonu
Rozsah teploty bol prekročený

Možná príčina:

- Teplota v ľavom motore pohonu je príliš vysoká.

Náprava:

- Kosačku-robota nechajte vychladnúť
-

Hlásenie:

0305 – Chyba motora pohonu
Ľavé koleso je zaseknuté

Možná príčina:

- Preťaženie ľavého hnacieho kolesa

Náprava:

- Vyčistite kosačku-robota (⇒ 16.2)
 - Odstráňte nerovnosti (jamy, diery) na kosenej ploche.
-

Hlásenie:

0402 – Chyba motora pohonu
Rozsah teploty bol prekročený

Možná príčina:

- Teplota v pravom motore pohonu je príliš vysoká.

Náprava:

- Kosačku-robota nechajte vychladnúť
-

Hlásenie:

0405 – Chyba motora pohonu
Pravé koleso je zaseknuté

Možná príčina:

- Preťaženie pravého hnacieho kolesa

Náprava:

- Vyčistite kosačku-robota (⇒ 16.2)
 - Odstráňte nerovnosti (jamy, diery) na kosenej ploche.
-

Hlásenie:

0502 – Chyba žacieho motora
Rozsah teploty bol prekročený

Možná príčina:

- Teplota v žacom motore je príliš vysoká

Náprava:

- Kosačku-robota nechajte vychladnúť
-

Hlásenie:

0505 – Chyba žacieho motora
Preťaženie žacieho motora

Možná príčina:

- Znečistenia medzi unášacím kotúčom a skriňou žacieho mechanizmu.
- Nedá sa zapnúť žací motor.
- Preťaženie žacieho motora

Náprava:

- Vyčistite žacie nože a žací mechanizmus. (⇒ 16.2)
Vyčistenie unášacieho kotúča (⇒ 16.6)
 - Nastavte väčšiu výšku kosenia. (⇒ 9.5)
 - Odstráňte nerovnosti (jamy, diery) na kosenej ploche.
-

Hlásenie:

0701 – Teplota akumulátora
Mimo rozsah teploty

Možná príčina:

- Teplota v akumulátore je príliš nízka, resp. vysoká.

Náprava:

- Kosačku-robota nechajte zohriať, resp. vychladnúť – dodržiavajte pritom povolený rozsah teplôt akumulátora (⇒ 6.4)
-

Hlásenie:

0703 – Vybitý akumulátor
Príliš nízke napätie akumulátora

Možná príčina:

- Napätie akumulátora je príliš nízke.

Náprava:

- Odstavte kosačku-robota do nabíjacej stanice, aby sa nabil akumulátor (⇒ 15.7)
-

Hlásenie:

0704 – Vybitý akumulátor
Príliš nízke napätie akumulátora

Možná príčina:

- Napätie akumulátora je príliš nízke.

Náprava:

- Odstavte kosačku-robota do nabíjacej stanice, aby sa nabil akumulátor (⇒ 15.7)
-

Hlásenie:

1000 – Preklopenie
Prípustný sklon bol prekročený

Možná príčina:

- Snímač sklonu rozpoznal preklopenie stroja

Náprava:

- Postavte kosačku-robota na kolesá, skontrolujte, či sa nepoškodila a potvrdte hlásenie tlačidlom OK
-

Hlásenie:

1010 – zdvihnutá kosačka iMOW®
Na povolenie stlačte OK

Možná príčina:

- Kosačka-robot bola nadvihnutá za kapotu

Náprava:

- Skontrolujte pohyblivosť kapoty a potvrdte hlásenie stlačením tlačidla OK
-

Hlásenie:

1030 – Chyba kapoty
Skontrolujte kapotu
Potom stlačte OK

Pravdepodobná príčina:

- Nebola rozpoznaná kapota

Odstránenie:

- Skontrolujte kapotu (pohyblivosť, pevné nasadenie) a potvrdte hlásenie stlačením tlačidla OK
-

Hlásenie:

1105 – otvorená klapka
Proces zrušený

Pravdepodobná príčina:

- Otvorenie klapky počas automatickej prevádzky
- Otvorenie klapky počas automatického prejazdu po okraji

Odstránenie:

- Zatvorte klapku. (⇒ 15.2)
-

Hlásenie:

1120 – Zaseknutá kapota
Skontrolujte kapotu
Potom stlačte OK

Možná príčina:

- Rozpoznala sa permanentná kolízia

- Odstráňte nerovnosti okolo alebo pod základovou doskou nabíjacej stanice

Náprava:

- Uvoľnite kosačku-robotu, v prípade potreby odstráňte prekážku, resp. zmeňte polozenie obmedzovacieho vodiča – potom potvrdte hlásenie stlačením tlačidla OK.
 - Skontrolujte pohyblivosť kapoty a potvrdte hlásenie stlačením tlačidla OK.
 - Odstráňte nerovnosti a hlásenie potvrdte stlačením tlačidla OK (⇒ 9.1)
-

Hlásenie:

1125 – Odstrániť prekážku
Skontrolujte polozenie drôtu

Možná príčina:

- Obmedzovací vodič je položený nepresne

Náprava:

- Skontrolujte polozenie obmedzovacieho vodiča, skontrolujte vzdialenosti pomocou šablóny iMOW® Ruler (⇒ 12.5)
-

Hlásenie:

1126 – Zapamätať prerušenie
Zapamätanie zlyhalo
Odstrániť prekážku

Možná príčina:

- Prekážka v oblasti obmedzovacieho vodiča
- Bola zdvihnutá kapota
- Nesprávne polozenie drôtu

Náprava:

- Vyslobodte kosačku – robot, v prípade potreby odstráňte prekážku alebo zmeňte polozenie obmedzovacieho vodiča

- Skontrolujte pohyblivosť kapoty
 - Odstráňte nerovnosti
 - Potvrdte hlásenie stlačením tlačidla OK.
 - Príp. znova spustite skúšobnú jazdu
-

Hlásenie:

1127 – Zapamätať prerušenie
Zapamätanie zlyhalo

Možná príčina:

- Tlač. STOP bolo stlačené
- Prípustný sklon bol prekročený
- Nepodarilo sa odstrániť/uložiť internú mapu kosenej plochy
- Pripojenie do nabíjacej stanice neúspešné

Náprava:

- Potvrdte hlásenie stlačením tlačidla OK.
 - Príp. znova spustite skúšobnú jazdu
-

Hlásenie:

1128 – Priama cesta domov
Prerušenie cesty domov pozdĺž drôtu

Možná príčina:

- Priamu cestu domov sa nepodarilo úspešne dokončiť

Náprava:

- Nie sú potrebné žiadne kroky, v prípade potreby potvrdte hlásenie pomocou OK
 - Ak problém naďalej pretrváva, kontaktujte predajcu výrobkov značky STIHL
-

Hlásenie:

1130 – Zaseknuté
uvoľnite iMOW®
Potom stlačte OK

Možná príčina:

- Kosačka-robot je zaseknutá

- Hnacie kolesá preklzávajú

Náprava:

- Uvoľnite kosačku-robotu, odstráňte nerovnosti na kosenej ploche, resp. zmeňte polozenie obmedzovacieho vodiča – potom potvrdte hlásenie stlačením tlačidla OK
- Vyčistite hnacie kolesá, prípadne nepoužívajte kosačku v daždi – potom potvrdte hlásenie stlačením tlačidla OK (⇒ 11.11)

Hlásenie:

1135 – Mimo
Umiestniť iMOW® na kosenú plochu

Možná príčina:

- Kosačka-robot sa nachádza mimo kosenej plochy

Náprava:

- Kosačku-robotu presuňte na kosenú plochu

Hlásenie:

1140 – Príliš strmé
Skontrolujte polozenie drôtu

Možná príčina:

- Snímač sklonu rozpoznal svah so sklonom väčším ako 40.

Náprava:

- Zmeňte polozenie obmedzovacieho vodiča, vyčleňte kosené plochy, ktoré majú sklon svahu väčší ako 40.

Hlásenie:

1170 – Žiadny signál
Zapnite nabíjaciu stanicu

Možná príčina:

- Nabíjacia stanica je vypnutá
- Počas prevádzky došlo k prerušeniu príjmu drôtového signálu

- Kosačka-robot sa nachádza mimo kosenej plochy
- Bola vymenená nabíjacia stanica, resp. elektronické konštrukčné diely

Náprava:

- Zapnite nabíjaciu stanicu a dajte príkaz na kosenie
- Skontrolujte napájanie nabíjacej stanice elektrickým prúdom
- Skontrolujte ukazovateľ LED na nabíjacej stanici – počas prevádzky musí neustále svietiť červený ukazovateľ LED (⇒ 13.1)
- Kosačku-robotu presuňte na kosenú plochu
- Párovanie kosačky-robotu a nabíjacej stanice (⇒ 11.16)

Hlásenie:

1180 – iMOW® zaparkovať
Automatické parkovanie do nabíjacej stanice
nie je možné

Možná príčina:

- Nenašla sa nabíjacia stanica
- Začiatok, resp. koniec uličky sú nesprávne nainštalované

Náprava:

- Skontrolujte ukazovateľ LED na nabíjacej stanici, v prípade potreby nabíjaciu stanicu zapnite (⇒ 13.1)
- Skontrolujte pripojenie stroja do nabíjacej stanice (⇒ 15.6)
- Skontrolujte, či má vjazd do uličky a výjazd z uličky lievikovitý tvar (⇒ 12.11)

Hlásenie:

1190 – Chyba pri pripájaní do stanice
Dokovacia stanica obsadená

Možná príčina:

- Nabíjacia stanica je už obsadená druhou kosačkou-robotom

Náprava:

- Kosačku-robotu zaparkujte do nabíjacej stanice, keď sa nabíjacia stanica znova uvoľní

Hlásenie:

1200 – Chyba žacieho motora
Naštartovanie žacieho motora 5x nie je možné

Možná príčina:

- Znečistenia medzi unášacím kotúčom a skriňou žacieho mechanizmu.
- Nedá sa zapnúť žací motor.
- Preťaženie žacieho motora

Náprava:

- Vyčistite žacie nože a žací mechanizmus. (⇒ 16.2)
Vyčistenie unášacieho kotúča (⇒ 16.6)
- Nastavte väčšiu výšku kosenia. (⇒ 9.5)
- Odstráňte nerovnosti (jamy, diery) na kosenej ploche.

Hlásenie:

1210 – Chyba motora pohonu
Zaseknuté koleso

Možná príčina:

- Preťaženie na jednom z hnacích kolies

Náprava:

- Vyčistite kosačku-robotu (⇒ 16.2)
- Odstráňte nerovnosti (jamy, diery) na kosenej ploche.

Hlásenie:

1220 – Zistený dažď
Kosenie prerušené

Pravdepodobná príčina:

- Kosenie sa prerušilo kvôli dažďu, resp. sa vôbec nezačalo

Odstránenie:

- Nie je potrebný žiadny zásah, v prípade potreby nastavte dažďový senzor (⇒ 11.11)
-

Hlásenie:

1230 – Chyba parkovania
Zaparkovať iMOW® do nab. st.

Možná príčina:

- Nabíjacia stanica sa našla, automat. parkovanie do nabíj. stanice nie je možné

Náprava:

- Skontrolujte pripojenie do nabíjacej stanice, v prípade potreby odstavte kosačku-robotu do nabíjacej stanice ručne (⇒ 15.6)
 - Skontrolujte obmedzovací vodič – dávajte pritom pozor na správne polozenie v oblasti nabíjacej stanice (⇒ 9.9)
-

Hlásenie:

2000 – Problém so signálom
iMOW® do nab. st.

Možná príčina:

- Chybný drôtový signál, potrebné vyladiť

Náprava:

- Zaparkujte kosačku-robotu do nabíjacej stanice – potom stlačte tlačidlo OK
-

Hlásenie:

2020 – Odporúčanie
Ročná prehliadka u špecializ. predajcu

Možná príčina:

- Odporúčený servis prístroja

Náprava:

- Vykonanie ročnej prehliadky u špecializ. predajcu STIHL
-

Hlásenie:

2030 – Akumulátor
Dosiahla sa prípustná životnosť

Možná príčina:

- Je nutné vymeniť akumulátor

Odstránenie:

- Nechajte akumulátor vymeniť u špecializovaného predajcu výrobkov značky STIHL
-

Hlásenie:

2031 – Chyba nabíjania
Skontrolujte nabíjacie kontakty

Možná príčina:

- Nie je možné spustiť nabíjanie.

Náprava:

- Skontrolujte nabíjacie kontakty na nabíjacej stanici a kosačke-robotu a v prípade potreby ich vyčistite – potom potvrdte hlásenie stlačením tlačidla OK.
-

Hlásenie:

2032 – Teplota akumulátora
Mimo rozsah teploty

Možná príčina:

- Teplota v akumulátore počas nabíjania je príliš nízka, resp. vysoká

Náprava:

- Kosačku-robotu nechajte zohriať, resp. vychladnúť – dodržiavajte pritom povolený rozsah teplôt akumulátora
-

Hlásenie:

2040 – Teplota akumulátora
Mimo rozsah teploty

Možná príčina:

- Teplota v akumulátore pri spustení kosenia je príliš nízka, resp. vysoká

Náprava:

- Kosačku-robotu nechajte zohriať, resp. vychladnúť – dodržiavajte pritom povolený rozsah teplôt akumulátora (⇒ 6.4)
-

Hlásenie:

2050 – Upraviť plán kosenia
Predĺžte doby činnosti

Pravdepodobná príčina:

- Doby činnosti boli skrátené/odstránené, resp. sa predĺžilo trvanie kosenia – uložené doby činnosti nepostačujú na potrebné fázy kosenia

Odstránenie:

- Predĺžte doby činnosti (⇒ 11.7), resp. skráťte trvanie kosenia (⇒ 11.7)
-

Hlásenie:

2060 – Kosenie dokončené
Na povolenie stlačte OK

Možná príčina:

- Kosenie na vedľajšej ploche úspešne dokončené

Náprava:

- Kosačku-robotu postavte na kosenu plochu a pripojte ju k nabíjacej stanici, aby sa nabil akumulátor (⇒ 15.6)

Hlásenie:

2070 – Signál GPS
Neprijíma sa signál na okraji

Možná príčina:

- Celkový okraj kosenej plochy sa nachádza v oblasti nepokrytej signálom

Odstránenie:

- Zopakovať obídanie okraja (⇒ 11.13)
- Za účelom podrobnej diagnostiky kontaktujte predajcu STIHL

Hlásenie:

2071 – Signál GPS
Neprijíma sa signál pri východisk. bode 1

Pravdepodobná príčina:

- Východiskový bod 1 sa nachádza v oblasti nepokrytej signálom

Odstránenie:

- Zmeňte polohu Východiskového bodu 1 (⇒ 11.14)

Hlásenie:

2072 – Signál GPS
Neprijíma sa signál pri východisk. bode 2

Pravdepodobná príčina:

- Východiskový bod 2 sa nachádza v oblasti nepokrytej signálom

Odstránenie:

- Zmeňte polohu Východiskového bodu 2 (⇒ 11.14)

Hlásenie:

2073 – Signál GPS
Neprijíma sa signál pri východisk. bode 3

Pravdepodobná príčina:

- Východiskový bod 3 sa nachádza v oblasti nepokrytej signálom

Odstránenie:

- Zmeňte polohu Východiskového bodu 3 (⇒ 11.14)

Hlásenie:

2074 – Signál GPS
Neprijíma sa signál pri východisk. bode 4

Pravdepodobná príčina:

- Východiskový bod 4 sa nachádza v oblasti nepokrytej signálom

Odstránenie:

- Zmeňte polohu Východiskového bodu 4 (⇒ 11.14)

Hlásenie:

2075 – Signál GPS
Neprijíma sa signál v požadovanej zóne

Pravdepodobná príčina:

- Požadovaná zóna sa nachádza v oblasti nepokrytej signálom

Odstránenie:

- Určte novú požadovanú zónu (⇒ 10.)

Hlásenie:

2076 – Signál GPS
Požadovaná zóna sa nenašla

Pravdepodobná príčina:

- Požadovanú zónu nebolo možné pri obchádzaní okraja nájsť

Odstránenie:

- Určte novú požadovanú zónu. Dbajte na to, aby sa požadovaná zóna a obmedzovací vodič prekryvali (⇒ 10.)

Hlásenie:

2077 – Požadovaná zóna
Požadovaná zóna mimo domov. oblasti

Pravdepodobná príčina:

- Požadovaná zóna sa nachádza mimo uložení domovskú oblasť

Odstránenie:

- Určte novú požadovanú zónu (⇒ 10.)

Hlásenie:

2090 – Bezdrôtový modul
Kontaktujte špecializovaného predajcu

Možná príčina:

- Porucha komunikácie s bezdrôtovým modulom

Odstránenie:

- Nie je potrebný žiadny úkon, v prípade potreby sa automaticky aktualizuje firmvér
- Ak problém naďalej pretrváva, kontaktujte predajcu výrobkov značky STIHL

Hlásenie:

2100 – Ochrana GPS
Mimo domovskej oblasti
Stroj zablokovaný

Možná příčina:

- Kosačka-robot sa vzdialila od domov. oblasti

Náprava:

- Premiestnite kosačku-robotu späť do domovskej oblasti a zadajte kód PIN (⇒ 5.9)
-

Hlásenie:

2110 – Ochrana GPS
Nová poloha
Nutná nová inštalácia

Možná příčina:

- Kosačka-robot bola uvedená do prevádzky na inej kosenej ploche. Drôtový signál druhej nabíjacej stanice bol už uložený.

Náprava:

- Nutná nová inštalácia (⇒ 11.13)
-

Hlásenie:

2400 – iMOW® úspešne obnovená na výrobné nastavenia

Možná příčina:

- Kosačka-robot bola obnovená na výrobné nastavenia

Náprava:

- Potvrďte hlásenie stlačením tlačidla OK.
-

Hlásenie:

4000 – Chyba napätia
Prepätie alebo podpätie akumulátora

Možná příčina:

- Prepätie alebo podpätie v akumulátore

Náprava:

- Nie je potrebný žiadny úkon, v prípade potreby sa automaticky aktualizuje firmvér
 - Ak problém naďalej pretrváva, kontaktujte predajcu výrobkov značky STIHL
-

Hlásenie:

4001 – Chyba teploty
Mimo rozsah teploty

Možná příčina:

- Teplota v akumulátore, resp. vo vnútri stroja je príliš nízka, resp. príliš vysoká.

Náprava:

- Kosačku-robotu nechajte zohriať, resp. vychladnúť – dodržiavajte pritom povolený rozsah teplôt akumulátora (⇒ 6.4)
-

Hlásenie:

4002 – Preklopenie
Pozrite si hlásenie 1000

Hlásenie:

4003 – Zdvihnutá kapota
Skontrolujte kapotu
Potom stlačte OK

Pravdepodobná příčina:

- Bola zdvihnutá kapota.

Odstránenie:

- Skontrolujte kapotu a potvrďte hlásenie stlačením tlačidla OK.
-

Hlásenie:

4004 – Čas zastavenia pohonu prekročený
Pre pokračovanie stlačte OK

Možná příčina:

- Chyba v priebehu programu
- Nesprávne polozenie drôtu
- Prekážky v oblasti obmedzovacieho vodiča

Náprava:

- Potvrďte hlásenie stlačením tlačidla OK.
 - Skontrolujte polozenie drôtu hlavne v oblasti rohov pomocou iMOW® Ruler (⇒ 12.5)
 - Odstráňte prekážky
-

Hlásenie:

4005 – Čas zastavenia noža prekročený
Pre pokračovanie stlačte OK

Možná příčina:

- Chyba v priebehu programu
- Pokles signálu (napr. v dôsledku výpadku prúdu) počas automatického kosenia

Náprava:

- Potvrďte hlásenie stlačením tlačidla OK.
 - Skontrolujte napájanie nabíjacej stanice elektrickým prúdom – počas prevádzky musí neustále svietiť červená LED kontrolka, potom stlačte tlačidlo OK (⇒ 13.1)
-

Hlásenie:

4006 – Nabíjanie prerušené
Pre pokračovanie stlačte OK

Možná příčina:

- Chyba v priebehu programu
-

- Výpadok elektrického prúdu počas nabíjania
- Kosačka-robot je odvinutá z nabíjacej stanice

Náprava:

- Potvrďte hlásenie stlačením tlačidla OK.
- Skontrolujte napájanie nabíjacej stanice – ak je kosačka-robot zaparkovaná v nabíjacej stanici, červená LED kontrolka pomaly bliká (⇒ 13.1)
- Skontrolujte správnu polohu nabíjacej stanice (⇒ 9.1)

Hlásenie:

4008 – Klapka nie je uzavretá.
Pre povolenie stlačte OK

Možná príčina:

- Poloha klapky rozpoznaná nesprávne
- Chyba prenosu signálu snímača

Náprava:

- Potvrďte hlásenie stlačením tlačidla OK.
- Otvorte a následne znova zatvorte klapku
- Ak problém naďalej pretrváva, kontaktujte predajcu výrobkov značky STIHL.

Hlásenie:

4009 – Porucha snímača kapoty
Na povolenie stlačte OK

Možná príčina:

- Posunutá kapota

Náprava:

- Skontrolujte polohu kapoty
- Skontrolujte pohyblivosť kapoty a príp. vyčistite uloženie kapoty
- Potvrďte hlásenie stlačením tlačidla OK.

Hlásenie:

4016 – Odchýlka hodnoty snímača tlačidla STOP

Na povolenie stlačte OK

Možná príčina:

- Chyba v priebehu programu

Náprava:

- Potvrďte hlásenie stlačením tlačidla OK.

Hlásenie:

4027 – Stlačené tlač. STOP
Na povolenie stlačte OK

Pravdepodobná príčina:

- Bolo stlačené tlačidlo STOP

Odstránenie:

- Potvrďte hlásenie stlačením tlačidla OK

25. Hľadanie porúch

Podpora a pomoc pri aplikácii

Podpora a pomoc pri aplikácii sú dostupné u špecializovaného predajcu STIHL.

Kontaktne možnosti a ďalšie informácie nájdete na <https://support.stihl.com/> oder <https://www.stihl.com/>.

- ✳ prípadne vyhľadajte špecializovaného predajcu. Spoločnosť STIHL odporúča špecializovaného predajcu výrobkov STIHL.

Porucha:

Kosačka-robot funguje v nesprávnom čase

Možná príčina:

- Nesprávne nastavený dátum a čas
- Nesprávne nastavené doby činnosti

- Stroj bol uvedený do prevádzky neoprávnenou osobou

Náprava:

- Nastavte dátum a čas (⇒ 11.10)
- Nastavte doby činnosti (⇒ 11.7)
- Nastavte bezpečnostnú úroveň „Stredná“ alebo „Vysoká“ (⇒ 11.16)

Porucha:

Kosačka-robot nefunguje počas doby činnosti.

Možná príčina:

- Akumulátor sa nabíja
- Automatika vypnutá
- Doba činnosti vypnutá
- Zistený dážd'
- Keď je aktivovaný typ plánu kosenia „Dynamický“: Dosiahla sa doba trvania kosenia potrebná na týždeň, v tomto týždni už nie je potrebné žiadne kosenie
- Hlásenie je aktívne
- Klapka je otvorená alebo nie je poruke
- Nabíjacia stanica nie je pripojená k elektrickej sieti
- Mimo povoleného rozsahu teploty
- Výpadok prúdu

Náprava:

- Nechajte úplne nabiť akumulátor (⇒ 15.7)
- Zapnite automatiku. (⇒ 11.7)
- Povoľte dobu činnosti. (⇒ 11.7)
- Nastavte dažďový senzor (⇒ 11.11)
- Nie je potrebné vykonať žiadnu ďalšiu činnosť, fázy kosenia sa pri type plánu kosenia „Dynamický“ automaticky prerozdedia na daný týždeň – v prípade potreby aktivujte v ponuke „Štart“ (⇒ 11.5)
- Odstráňte zobrazenú poruchu a hlásenie potvrďte stlačením tlačidla OK (⇒ 24.)
- Zatvorte klapku. (⇒ 15.2)

- Skontrolujte napájanie nabíjacej stanice elektrickým prúdom (⇒ 9.3)
- Kosačku-robotu nechajte zohriať, resp. vychladnúť – dodržiavajte pritom normálny rozsah teplôt pre prevádzku robotičkej kosačky: +5 °C až +40 °C. Podrobné informácie vám poskytne špecializovaný predajca. ⚡
- Skontrolujte dodávku prúdu. Kosačka-robot pokračuje v kosení, ak po periodickej kontrole znova rozpozná drôtový signál. Po výpadku siete môže trvať aj niekoľko minút, kým bude kosačka automaticky pokračovať v kosení. Odstupy medzi jednotlivými periodickými kontrolami sa dĺžkou výpadku zväčšujú.

Porucha:

Kosačka-robot nekosi po vyvolaní ponuky „Štart“

Možná príčina:

- Nedostatočne nabitý akumulátor
- Zistený dážd'
- Klapka nie je zatvorená alebo nie je k dispozícii.
- Hlásenie je aktívne
- Aktivujte príkaz Domov na nabíjacej stanici.

Náprava:

- Nabite akumulátor (⇒ 15.7)
- Nastavte dažďový senzor (⇒ 11.11)
- Zatvorte klapku. (⇒ 15.2)
- Odstráňte zobrazenú poruchu a hlásenie potvrďte stlačením tlačidla OK (⇒ 24.)
- Ukončíte príkaz Domov, resp. po zaparkovaní stroja do nabíjacej stanice znovu vykonajte príkaz.

Porucha:

Kosačka-robot nefunguje a na displeji sa nič nezobrazuje

Možná príčina:

- Stroj je v pohotovostnom režime.
- Akumulátor je chybný

Náprava:

- Zapnite kosačku-robotu stlačením ľubovoľného tlačidla – zobrazí sa indikátor stavu (⇒ 11.2)
- Vymeňte akumulátor (⚡)

Porucha:

Kosačka-robot je hlučná a vibruje

Možná príčina:

- Žací nôž je poškodený
- Žací mechanizmus je veľmi znečistený

Náprava:

- Vymeňte žací nôž – odstráňte z trávniká prekážky (⇒ 16.4), (⚡)
- Vyčistíte žací mechanizmus (⇒ 16.2)

Porucha:

Nekvalitné mulčovanie, resp. kosenie

Možná príčina:

- Tráva je príliš vysoká vzhľadom na danú výšku kosenia
- Tráva je príliš mokrá
- Tupý alebo opotrebovaný žací nôž
- Doby činnosti sú nedostatočné, príliš krátka doba kosenia
- Nesprávne nastavená veľkosť kosenej plochy
- Kosená plocha s veľmi vysokou trávou
- Dlhé obdobia dažďa

Náprava:

- Nastavte výšku kosenia. (⇒ 9.5)
- Nastavte dažďový senzor (⇒ 11.11) Posuňte doby činnosti (⇒ 11.7)
- Vymeňte žací nôž (⇒ 16.4), (⚡)

- Predĺžte, resp. doplňte doby činnosti (⇒ 11.7)
Predĺžte trvanie kosenia (⇒ 11.7)
- Vytvorte nový plán kosenia (⇒ 11.7)
- Na dosiahnutie kvalitného pokosenia potrebuje kosačka-robot v závislosti od veľkosti kosenej plochy až 2 týždne.
- Povoľte kosenie počas dažďa (⇒ 11.11)
Predĺžte doby činnosti (⇒ 11.7)

Porucha:

Zobrazenie na displeji je v cudzom jazyku

Pravdepodobná príčina:

- Zmenilo sa nastavenie jazyka

Odstránenie:

- Nastavte jazyk (⇒ 9.7)

Porucha:

Na kosenej ploche vznikajú hnedé (zemité) miesta

Pravdepodobná príčina:

- Doba kosenia je príliš dlhá vzhľadom na danú kosenu plochu
- Obmedzovací vodič bol položený v oblúkoch s príliš úzkym priemerom
- Nesprávne nastavená veľkosť kosenej plochy

Odstránenie:

- Skráťte dobu kosenia. (⇒ 11.7)
- Opravte polohu obmedzovacieho vodiča. (⇒ 12.)
- Vytvorte nový plán kosenia. (⇒ 11.7)

Porucha:

Fázy kosenia sú výrazne kratšie než zvyčajne

Pravdepodobná príčina:

- Tráva je veľmi vysoká alebo príliš mokrá

- Stroj (žací mechanizmus, hnacia kolesá) sú veľmi znečistené
- Akumulátor dosiahol koniec svojej životnosti

Odstránenie:

- Nastavte výšku kosenia (⇒ 9.5)
- Nastavte dažďový senzor (⇒ 11.11)
- Posuňte doby činnosti (⇒ 11.7)
- Vyčistite stroj (⇒ 16.2)
- Vymeňte akumulátor – prečítajte si zodpovedajúce odporúčanie na displeji (✘), (⇒ 24.)

Porucha:

Kosačka-robot sa nachádza v nabíjacej stanici, akumulátor sa nenabíja

Možná príčina:

- Akumulátor nevyžaduje nabíjanie
- Nabíjacia stanica nie je pripojená k elektrickej sieti
- Pripojenie do nabíjacej stanice je chybné
- Nabíjacie kontakty sú zhrdzavené
- Sieťový napájací adaptér má poruchu
- Stroj je v pohotovostnom režime.

Náprava:

- Nie je potrebný žiadny zásah používateľa – nabíjanie akumulátora prebieha automaticky, keď jeho napätie klesne pod určitú hranicu.
- Skontrolujte napájanie nabíjacej stanice elektrickým prúdom. (⇒ 9.8)
- Kosačku-robotu postavte na kosenu plochu a pošlite ju späť do nabíjacej stanice (⇒ 11.6), pritom skontrolujte správne pripojenie do nabíjacej stanice – v prípade potreby upravte polohu nabíjacej stanice (⇒ 9.1)
- Vymeňte nabíjacie kontakty (✘)
- Odpojte sieťový napájací adaptér od zdroja elektrickej energie a vyhľadajte pomoc autorizovaného predajcu STIHL (✘)

- Zapnite kosačku-robotu stlačením ľubovoľného tlačidla - zobrazí sa indikátor stavu (⇒ 11.2)

Porucha:

Zaparkovanie do nabíjacej stanice nefunguje

Možná príčina:

- Nerovnosti v oblasti vjazdu do nabíjacej stanice
- Odstráňte nerovnosti okolo alebo pod základovou doskou nabíjacej stanice.
- Základová doska nabíjacej stanice je ohnutá.
- Znečistené hnacie kolesá, resp. znečistená základová doska.
- Obmedzovací vodič je v oblasti nabíjacej stanice nesprávne položený.
- Konce obmedzovacieho vodiča nie sú skrátené.

Náprava:

- Odstráňte nerovnosti v oblasti vjazdu (⇒ 9.1)
- Odstráňte nerovnosti okolo alebo pod základovou doskou.(⇒ 9.1)
- Nastavte základovú dosku vodorovne a rovno.(⇒ 9.1)
- Vyčistite hnacie kolesá a základovú dosku nabíjacej stanice. (⇒ 16.2)
- Znovu natiahnite obmedzovací vodič – dávajte pritom pozor na správne polozenie v oblasti nabíjacej stanice. (⇒ 9.9)
- Obmedzovací vodič skráťte podľa uvedených pokynov a položte ho bez rezervných dĺžok drôtu – prečnievajúce konce nenavíjajte. (⇒ 9.10)

Porucha:

Kosačka-robot prejde okolo nabíjacej stanice alebo do nabíjacej stanice zaparkuje šikmo.

Možná príčina:

- Vplyvy okolia ovplyvňujú drôtový signál.
- Obmedzovací vodič je v oblasti nabíjacej stanice nesprávne položený.

Náprava:

- Znovu spárujte kosačku-robot a nabíjaciu stanicu – dbajte pritom na to, aby kosačka-robot stála v nabíjacej stanici priamo. (⇒ 11.16)
- Znovu natiahnite obmedzovací vodič – dávajte pritom pozor na správne polozenie v oblasti nabíjacej stanice. (⇒ 9.9)
- Skontrolujte správne pripojenie koncov obmedzovacieho vodiča na nabíjacej stanici. (⇒ 9.10)

Porucha:

Kosačka-robot prešla za obmedzovací vodič

Možná príčina:

- Obmedzovací vodič je nesprávne položený, vzdialenosti sú nesprávne
- Kosená plocha má príliš veľký sklon svahu
- Rušivé polia ovplyvňujú činnosť kosačky-robotu

Náprava:

- Skontrolujte polozenie obmedzovacieho vodiča (⇒ 11.13), skontrolujte vzdialenosti pomocou šablóny iMOW® Ruler (⇒ 12.5)
- Skontrolujte polozenie obmedzovacieho vodiča, zablokujte oblasti s príliš veľkým sklonom svahu (⇒ 11.13)

- Kontaktujte špecializovaného predajcu STIHL (✖)

Porucha:

Kosačka-robot sa často zasekáva.

Možná príčina:

- Výška kosenia je príliš nízka.
- Znečistené hnacie kolesá
- Jamy a prekážky na kosenej ploche

Náprava:

- Zväčšite výšku kosenia. (⇒ 9.5)
- Očistite hnacie kolesá. (⇒ 16.2)
- Zasypte a vyrovajte jamy na kosenej ploche, okolo voľne položených prekážok vytvorte zakázané plochy, prípadne prekážky odstráňte. (⇒ 12.)

Porucha:

Keď kosačka-robot narazí do prekážky, nárazový snímač sa neaktivuje.

Možná príčina:

- Prekážka je nízka (nižšia ako 8 cm).
- Prekážka nie je pevne spojená s podkladom – napr. napadané ovocie alebo tenisová loptička.

Náprava:

- Odstráňte prekážku alebo ju izolujte pomocou zakázanej plochy. (⇒ 12.9)
- Odstráňte prekážku.

Porucha:

Stopy po prejazde na okraji kosenej plochy

Možná príčina:

- Príliš častá kosba okraja
- Príliš dlhá doba kosenia
- Použitie východiskové body
- Akumulátor sa ku koncu svojej životnosti príliš často nabíja

- Posunutý návrat domov (koridor) nie je zapnutý

Náprava:

- Vypnite kosbu okraja alebo znížte jej frekvenciu na jedenkrát týždenne. (⇒ 11.13)
- Skráťte dobu kosenia
- Na vhodných kosených plochách začínajte všetky fázy kosenia od nabijacej stanice. (⇒ 11.14)
- Vymeňte akumulátor – prečítajte si zodpovedajúce odporúčanie na displeji (✖), (⇒ 24.)
- Zapnite funkciu posunutý návrat domov (koridor) (⇒ 11.13)

Porucha:

Nepokosená tráva na okraji kosenej plochy

Možná príčina:

- Je vypnutá kosba okraja
- Obmedzovací vodič je položený nepresne
- Tráva je mimo pracovného dosahu žacieho noža

Náprava:

- Okraj trávniku koste raz, resp. dvakrát do týždňa. (⇒ 11.13)
- Skontrolujte polozenie obmedzovacieho vodiča (⇒ 11.13), skontrolujte vzdialenosť pomocou šablóny iMOW® Ruler (⇒ 12.5)
- Nepokosené oblasti pravidelne pokoste vhodným vyžinačom trávy

Porucha:

Žiadny drôtový signál

Možná príčina:

- Vypnutá nabíjacia stanica – nesvieti žiadny ukazovateľ LED.

- Nabíjacia stanica nie je pripojená k elektrickej sieti – nesvieti ukazovateľ LED.
- Obmedzovací vodič nie je pripojený k nabíjacej stanici – bliká červená LED kontrolka. (⇒ 13.1)
- Prerušený obmedzovací vodič – bliká červená LED kontrolka. (⇒ 13.1)
- Kosačka-robot a nabíjacia stanica nie sú spárované.
- Porucha elektroniky – ukazovateľ LED bliká SOS (⇒ 13.1)

Náprava:

- Zapnite nabíjajúcu stanicu. (⇒ 13.1)
- Skontrolujte napájanie nabíjacej stanice elektrickým prúdom (⇒ 9.8)
- Pripojte obmedzovací vodič k nabíjacej stanici. (⇒ 9.10)
- Nájdite miesto prerušenia drôtu (⇒ 16.7), potom opravte obmedzovací vodič pomocou drôtových spojok. (⇒ 12.16)
- Párovanie kosačky-robotu a nabíjacej stanice (⇒ 11.16)
- Kontaktujte špecializovaného predajcu (✖)

Porucha:

Ukazovateľ LED na nabíjacej stanici bliká SOS

Možná príčina:

- Nedosiahnutá minimálna dĺžka obmedzovacieho vodiča
- Porucha elektroniky

Náprava:

- Inštalácia AKM 100 (✖)
- Kontaktujte špecializovaného predajcu (✖)

Porucha:

Kosačka-robot neprijíma žiadny signál GPS

Možná příčina:

- Práve sa vytvára spojenie so satelitmi
- 3 alebo menej satelitov v pracovnom dosahu
- Stroj sa nachádza v oblasti nepokrytej signálom

Náprava:

- Nie je potrebné prevádzať nijakú ďalšiu akciu, naviazanie spojenia môže trvať niekoľko minút
- Obídite alebo odstráňte zavádzajúce prekážky (napr. stromy, prístrešky)

Porucha:

Kosačke-robotu sa nedarí nadviazať spojenie s mobilným telefónom

Možná příčina:

- Kosená plocha sa nachádza v oblasti nepokrytej signálom
- Bezdrôtový modul nie je aktivovaný

Náprava:

- Nechajte skontrolovať bezdrôtový modul špecializovaným predajcom STIHL (☒)

Porucha:

Kosačka-robot nie je pomocou aplikácie dostupná

Možná příčina:

- Neaktívny bezdrôtový modul
- Kosačka-robot v pohotovostnom režime
- Žiadne internetové spojenie

- Kosačka-robot nie je priradená k správnej e-mailovej adrese

Náprava:

- Bezdrôtový modul sa počas párovania vypne, potom sa opäť aktivuje a kosačka-robot je opäť dostupná
- Aktivujte kosačku-robotu stlačením tlačidla, nastavte energ. režim „Štandard“ (⇒ 11.10)
- Stroj, na ktorom je nainštalovaná aplikácia, spojte s internetom
- Opravte e-mailovú adresu (⇒ 10.)

Porucha:

Nie je možné vytvoriť mapovanie pre priamu cestu domov.

Možná příčina:

- Prerušenie alebo zrušenie prejazdu po okraji, napr. kvôli prekážke, nadvihnutí
- Chybné polozenie drôtu
- Opúšťanie obmedzovacieho vodiča

Náprava:

- Zopakujte prejazd po okraji, prejazd po okraji sa musí vykonať bez prerušenia.
- Vykonajte jazdu po okraji neskôr.
- Opravte polozenie drôtu.

26. Servisný plán

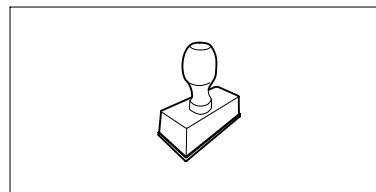
26.1 Potvrdenie o prevzatí

Model: _____

Sériové číslo:

□	□	□	□	□	□	□	□	□
---	---	---	---	---	---	---	---	---

Dátum: □ □ □ □ □ □ □ □ □ □



Ďalší servis


Dátum: □ □ □ □ □ □ □ □ □ □

26.2 Potvrdenie o vykonaní servisných prác

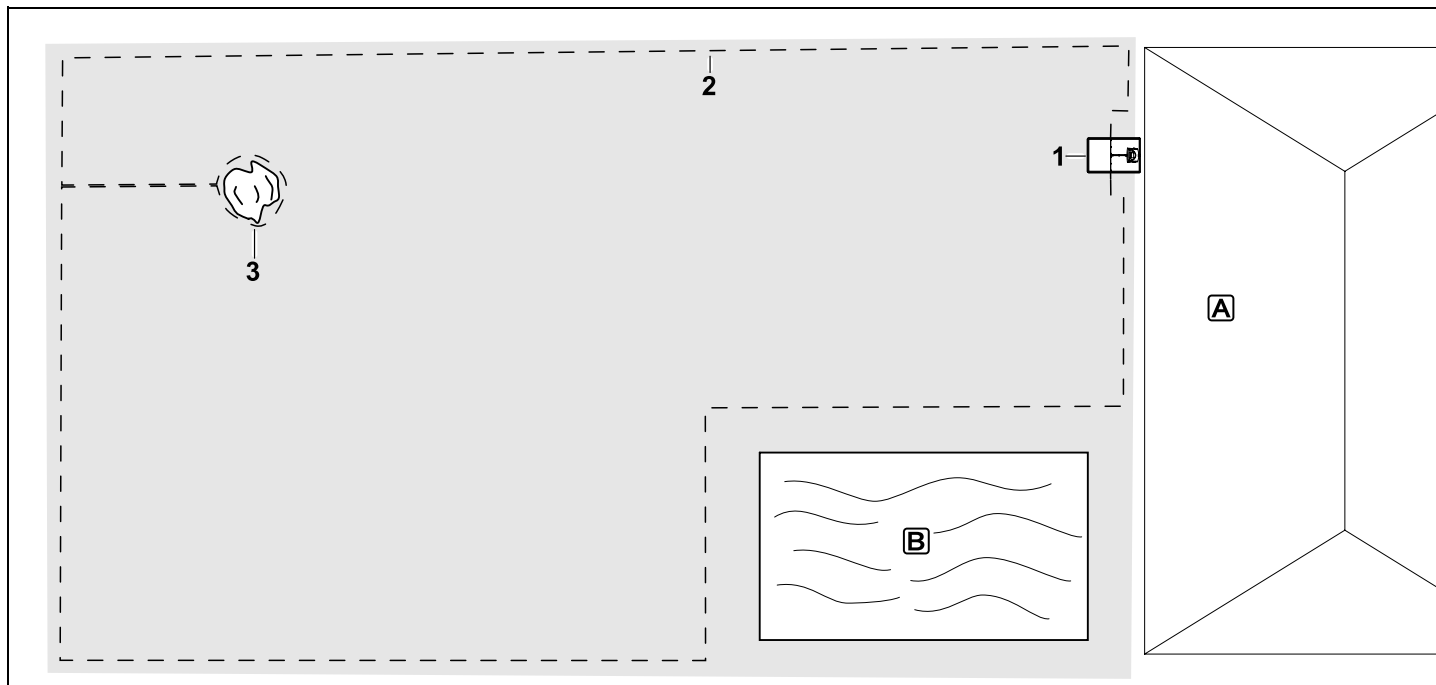


Tento návod na obsluhu dajte špecializovanému predajcovi výrobkov STIHL pri vykonávaní údržbárskych prác. Do predtlačenej polí poskytnite potvrdenie o vykonaní servisných prác.

 Servis vykonaný dňa

 Dátum nasledujúceho servisu

27. Príklady inštalácie



Obdĺžniková kosená plocha s jedným stromom a bazénom

Nabíjacia stanica:

Stanovisko (1) priamo pri dome **A**

Zakázaná plocha:

Inštalácia okolo voľne stojaceho stromu (3), vychádzajúc z prepájacej dráhy nainštalovanej v pravom uhle smerom k okraju.

Bazén:

Z bezpečnostných dôvodov (predpísaná vzdialenosť drôtov) je potrebné natiiahnuť obmedzovací vodič (2) okolo celého bazéna **B**.

Vzdialenosti drôtov: (⇒ 12.5)

Vzdialenosť od okraja: **28 cm**

Vzdialenosť od hraničnej zjazdnej plochy (napr. chodník) s výškou nerovnosti menšou ako +/- 1 cm: **0 cm**

Vzdialenosť okolo stromu: **28 cm**

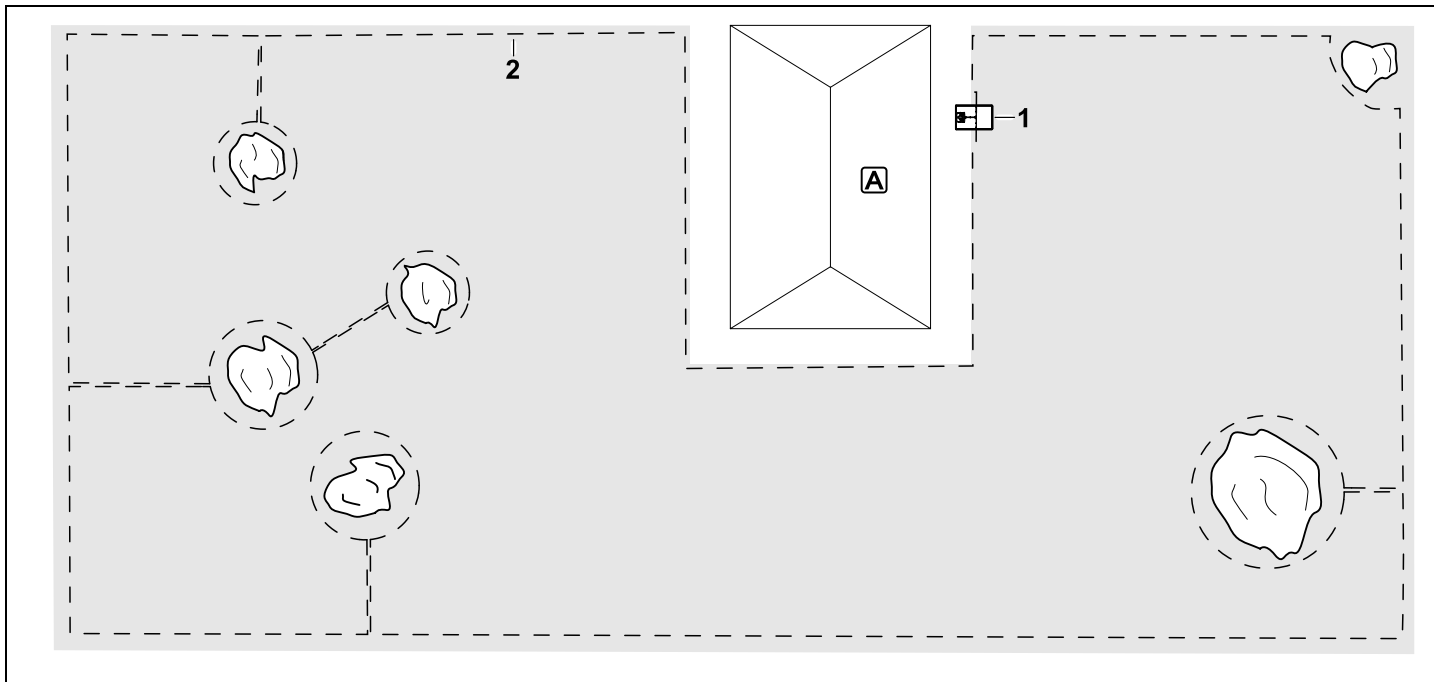
Vzdialenosť od vodnej plochy **100 cm**

Programovanie:

Po určení veľkosti kosenej plochy nie sú potrebné žiadne ďalšie úpravy.

Zvláštnosti:

Nepokosené oblasti okolo bazéna pravidelne pokoste ručne, resp. vhodným vyžínačom.



Kosená plocha v tvare U s viacerými voľne stojacimi stromami

Nabijacia stanica:

Stanovisko (1) priamo pri dome **A**

Zakázané plochy:

Inštalácia okolo voľne stojacich stromov, zakaždým vychádzajúc z prepájacích dráh nainštalovaných v pravom uhle smerom k okraju (2), 2 zakázané plochy sú prepojené prostredníctvom prepájacej dráhy.

Vzdialenosti drôtov: (⇒ 12.5)

Vzdialenosť od okraja: **28 cm**

Vzdialenosť od hraničnej zjazdnej plochy (napr. chodník) s výškou nerovnosti

menšou ako +/- 1 cm: **0 cm**

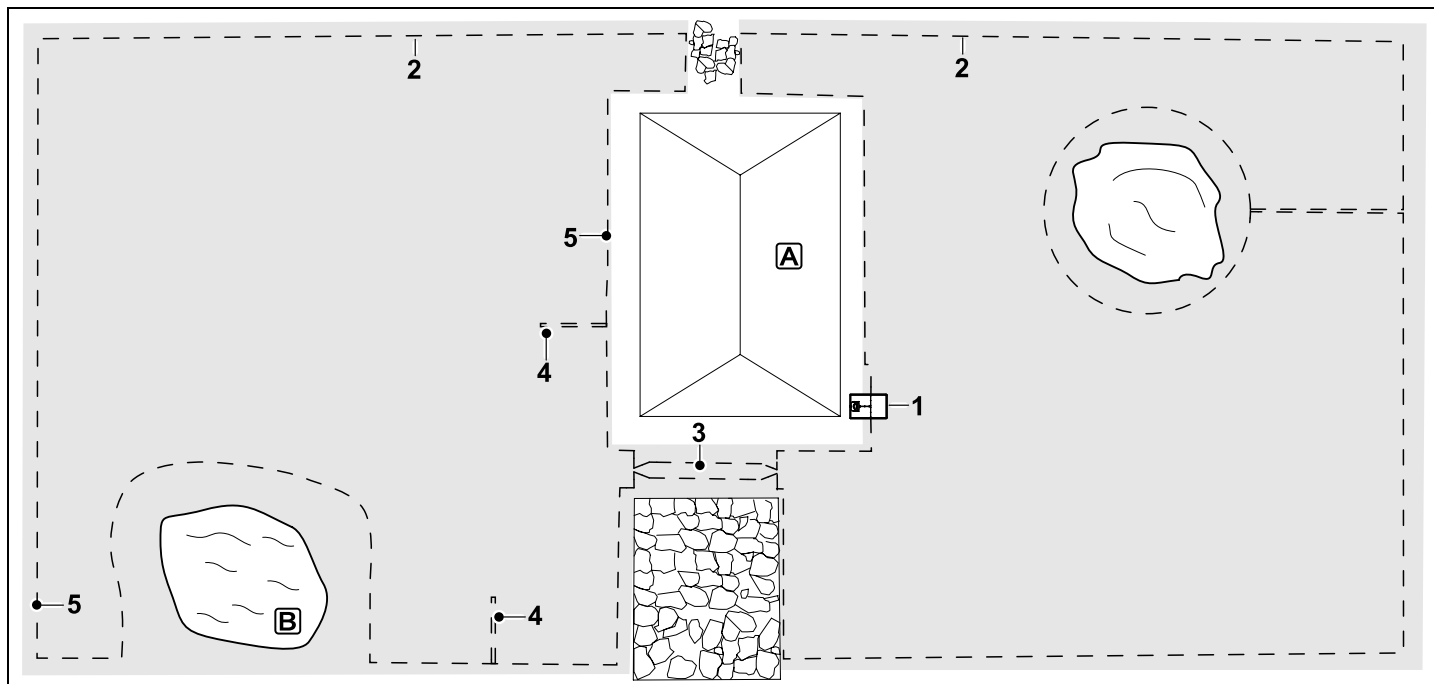
Vzdialenosť okolo stromov: **28 cm**

Programovanie:

Po určení veľkosti kosenej plochy nie sú potrebné žiadne ďalšie úpravy.

Zvláštnosti:

Strom v rohu kosenej plochy – oblasť za vymedzeným stromom pravidelne koste vhodným vyžínačom trávy alebo nechajte zarásť vyššou trávou.



Dvojielna kosená plocha s jazierkom a voľne stojacim stromom

Nabíjacia stanica:

Stanovisko (1) priamo pri dome **A**

Zakázaná plocha:

Inštalácia okolo voľne stojaceho stromu, vychádzajúc z prepájacej dráhy nainštalovanej v pravom uhle smerom k okraju.

Jazierko:

Z bezpečnostných dôvodov (predpísaná vzdialenosť drôtov) je potrebné položiť obmedzovací vodič (2) okolo jazierka **B**.

Vzdialenosti drôtov: (⇒ 12.5)

Vzdialenosť od okraja: **28 cm**

Vzdialenosť od hraničnej zjazdnej plochy (napr. chodník) s výškou nerovnosti

menšou ako +/- 1 cm: **0 cm**

Okolo stromu: **28 cm**

Vzdialenosť od vodnej plochy: **100 cm**

Ulička:

Inštalácia uličky (3). Vzdialenosť drôtov: **22 cm** (⇒ 12.11)

Vyhľadávacie slučky:

Inštalácia dvoch vyhľadávacích slučiek (4) na využitie funkcie posunutého návratu domov. (⇒ 11.13)

Minimálna vzdialenosť od vjazdu do uličky: **2 m**

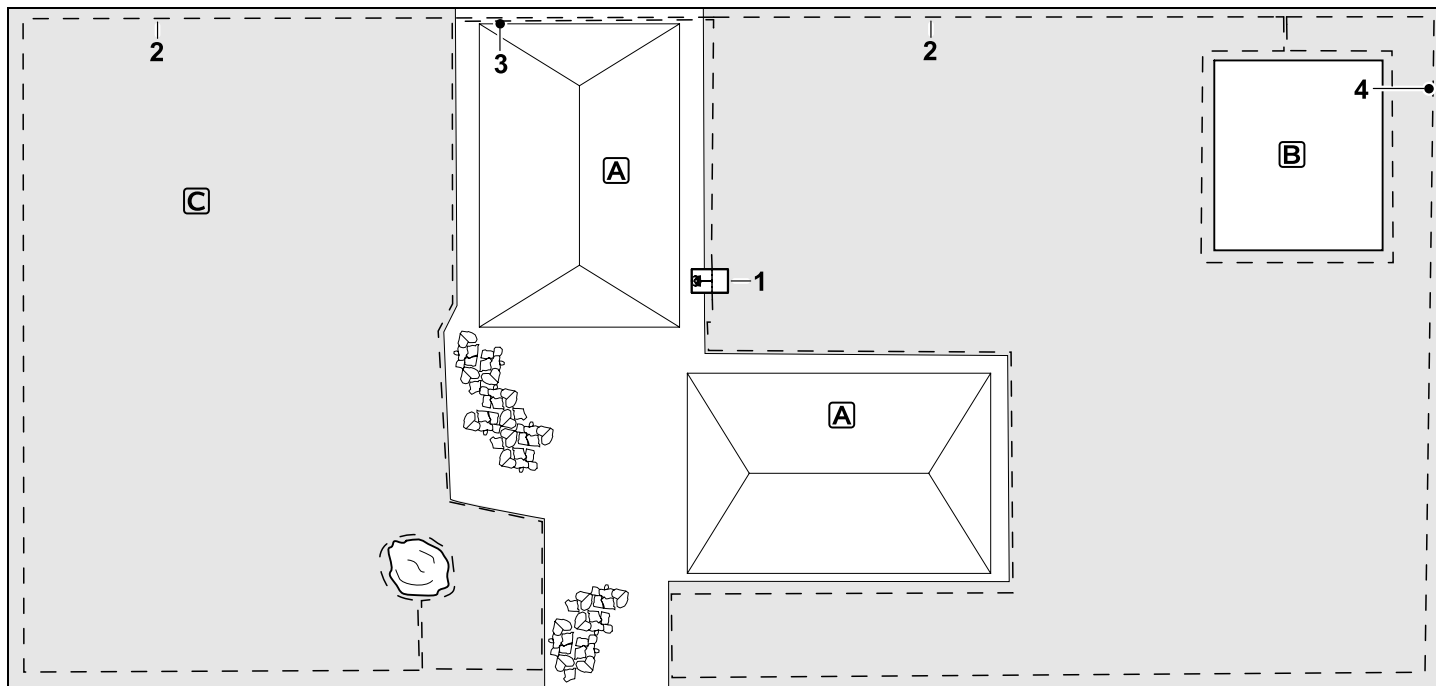
Dodržiavajte minimálnu vzdialenosť od rohov. (⇒ 12.12)

Programovanie:

Stanovte celkovú veľkosť kosenej plochy, naprogramujte 2 východiskové body (5) (v blízkosti nabíjacej stanice a v zahnutom rohu pri jazierku) (⇒ 11.14)

Zvláštnosti:

Nepokosené oblasti, napr. okolo jazierka, pravidelne pokoste ručne, resp. vhodným vyžinačom trávy.



Dvojdielna kosená plocha – kosačka-robot nedokáže sama prejsť z jednej kosenej plochy na druhú.

Nabíjacia stanica:

Stanovisko (1) rovno vedľa domov **A**

Zakázané plochy:

Inštalácia okolo voľne stojaceho stromu a okolo zeleninovej záhrady **B**, vychádzajúc z prepájacej dráhy nainštalovanej v pravom uhle smerom k okraju.

Vzdialenosti drôtov: (⇒ 12.5)

Vzdialenosť od hraničnej zjazdnej plochy (napr. terasa) s výškou nerovnosti menšou ako +/- 1 cm: **0 cm**

Vzdialenosť od vysokých prekážok: **28 cm**

Vzdialenosť od stromu: **28 cm**

Minimálna vzdialenosť drôtu v zúžených miestach za zeleninovú záhradkou:

44 cm

Vedľajš. plocha:

Inštalácia vedľajšej plochy **C**, prepájaciu dráhu (3) na terase domu umiestnite do jedného káblového kanála.

Programovanie:

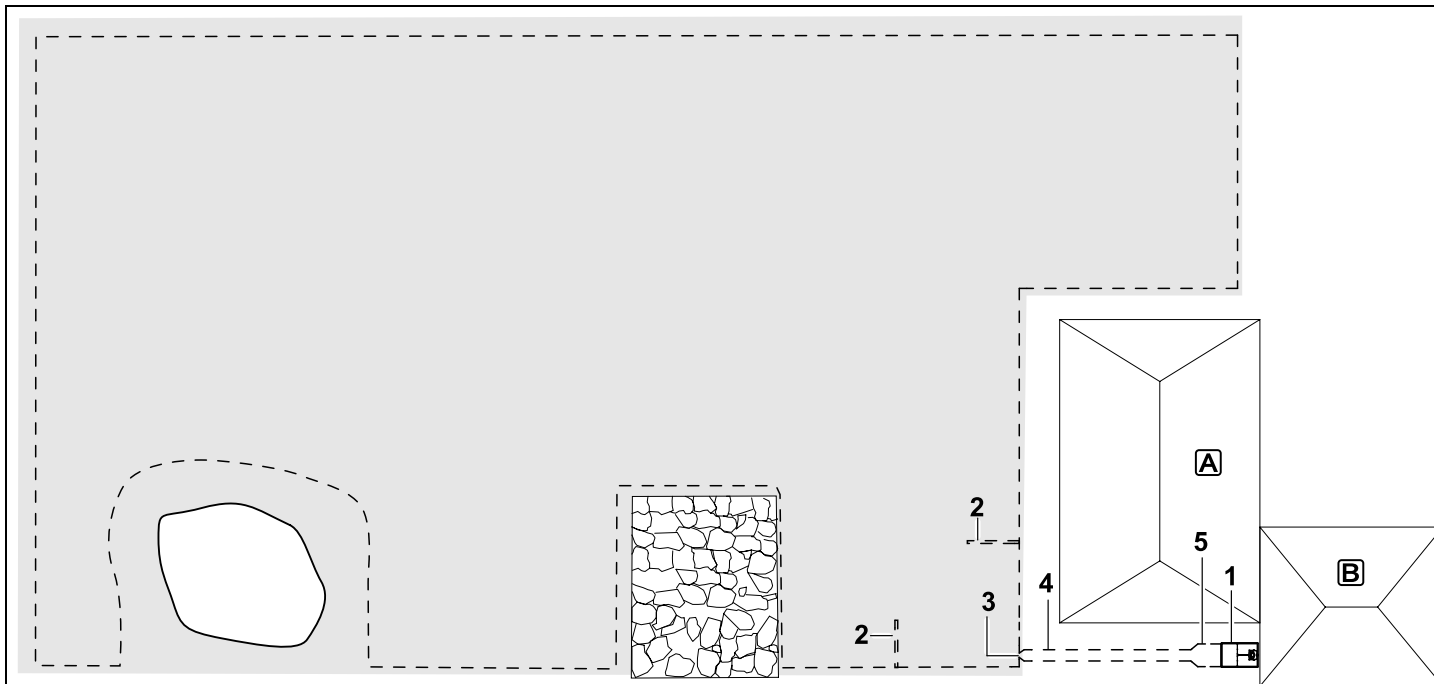
Stanovte veľkosť kosenej plochy (bez vedľajš. plochy), naprogramujte 1 východiskový bod (4) v úzkom mieste na využívanie funkcie posunutého návratu domov (⇒ 11.13) – frekvencia spúšťania 2 z 10 výjazdov (⇒ 11.14)

Zvláštnosti:

Niekoľkokrát do týždňa preneste kosačku-robotu na vedľajšiu plochu a aktivujte ponuku „Štart“. (⇒ 11.5)

Zohľadnite pritom plošný výkon stroja. (⇒ 14.4)

V prípade potreby nainštalujte na dve samostatné kosené plochy 2 nabíjacie stanice.



Kosená plocha s externou nabíjacou stanicou (1)

Nabíjacia stanica:

Stanovisko (1) priamo na garáži **B** a za domom **A**.

Vzdialenosti drôtov: (⇒ 12.5)

Vzdialenosť od okraja: **28 cm**

Vzdialenosť od hraničnej zjazdnej plochy (napr. terasa) s výškou nerovnosti menšou ako +/- 1 cm: **0 cm**

Vzdialenosť od vodnej plochy: **100 cm**

Vyhľadávacie slučky:

Inštalácia dvoch vyhľadávacích slučiek (2) na využitie funkcie posunutého návratu domov. Minimálna vzdialenosť od vjazdu do uličky: (⇒ 11.13)

Minimálna vzdialenosť od vjazdu do uličky:

2 m

Dodržiavajte minimálnu vzdialenosť od rohov. (⇒ 12.12)

Programovanie:

Stanovte veľkosť kosenej plochy a stanovte aspoň jeden východiskový bod mimo uličky nabíjacej stanice. (⇒ 11.14)

Zvláštnosti:

Inštalácia uličky (4) s lievikovitým vjazdom (3). (⇒ 12.11)

Vzdialenosť drôtov: 22 cm

Ulička (4) vedie k externej nabíjacej stanici (1). Jeden meter od nabíjacej stanice je potrebné zväčšiť vzdialenosť obmedzovacieho vodiča v uličke na šírku základovej dosky (5). (⇒ 9.1)

Dbajte na potrebný priestor v uličke a vedľa nabíjacej stanice.

28. Softvér s otvoreným zdrojom

Tento výrobok obsahuje softvér s otvoreným zdrojom chránený autorskými právami, ktorý bol zverejnený konkrétnymi za určitých licenčných podmienok, ako napr. „GNU General Public License“ (GPL), „GNU Lesser General Public License“ (LGPL), „Apache License alebo podobné licencie. Ak sú v tejto príručke uvedené nejaké oznámenia o autorských právach, podmienky používania alebo licenčné podmienky, ktoré sú v rozpore s platnou licenciou softvéru s otvoreným zdrojom, tieto sa nebudú uplatňovať. Používanie a distribúcia zahrnutého softvéru s otvoreným zdrojom podlieha príslušnej licencií softvéru s otvoreným

zdrojom. Pokiaľ vám príslušná licencia udeľuje právo na zdrojový kód tohto softvéru a / alebo na ďalšie dodatočné údaje, môžete ho udržiavať po dobu troch rokov od nášho posledného dodania výrobku, a ak to vyžadujú licenčné podmienky, tak dlho pokiaľ poskytujeme zákaznícku podporu pre tento výrobok. Úplný zodpovedajúci zdrojový kód od nás môžete získať zaslaním e-mailu na adresu oss@stihl.de. Ak by ste chceli dostať úplný zodpovedajúci zdrojový kód na fyzickom médiu (napríklad na CD-ROM), bude vám za fyzickú distribúciu zdrojového kódu účtovaná platba. Táto ponuka sa vzťahuje na každého, kto tieto informácie dostane.

Aktuálny zoznam príslušných komponentov s otvoreným zdrojovým kódom nájdete na tejto adrese:
<http://opensource.stihl.com/>

Vážená zákaznice, vážený zákazniku,

těší nás, že jste se rozhodli pro firmu STIHL. Vytvíjíme a vyrábíme naše výrobky ve špičkové kvalitě odpovídající potřebám našich zákazníků. Tím vznikají výrobky s vysokým stupněm spolehlivosti i při extrémním namáhání.

STIHL je zárukou špičkové kvality také v servisních službách. Náš odborný prodej zajišťuje kompetentní poradenství a instruktáž jakož i obsáhlý technický suport.

Děkujeme Vám za Vaši důvěru a přejeme mnoho spokojenosti s Vaším výrobkem STIHL.

Dr. Nikolas Stihl

DŮLEŽITÉ! PŘED POUŽITÍM SI NÁVOD PŘEČÍST A ULOŽIT PRO DALŠÍ POTŘEBU.

1. Obsah

O tomto návodu k použití	476
Všeobecné informace	476
Provedení podle země vývozu	477
Návod ke čtení tohoto návodu k použití	477
Popis stroje	478
Robotická sekačka	478
Dobíjecí stanice	479
Displej	480
Jak robotická sekačka pracuje	481
Princip funkce	481
Bezpečnostní zařízení	482
Tlačítko STOP	482
Blokování přístroje	482
Ochranné kryty	482
Nárazové čidlo	482
Ochrana proti zvedání	482
Čidlo sklonu	483
Osvětlení displeje	483
Požadavek PIN	483
Ochrana GPS	483
Pro vaši bezpečnost	483
Všeobecně	483
Oděv a příslušenství	484
Varování – nebezpečí úrazu elektrickým proudem	485
Akumulátor	485
Přeprava stroje	486
Před uvedením stroje do provozu	486
Programování	487
Během provozu	487
Údržba a opravy	488
Uskladnění při delších provozních přestávkách	489
Likvidace použitých materiálů	489
Popis symbolů	489
Rozsah dodávky	490
První instalace	490
Pokyny k dobíjecí stanici	494
Připojky dobíjecí stanice	496
Připojení napájecího kabelu k dobíjecí stanici	497
Instalační materiál	498
Nastavení výšky sečení	498
Pokyny k první instalaci	498
Nastavení jazyka, data a času	499
Instalace dobíjecí stanice	499
Uložení omezovacího drátu	500
Připojení omezovacího drátu	504
Propojení robotické sekačky a dobíjecí stanice	508
Kontrola instalace	509
Programování robotické sekačky	510
Dokončení první instalace	511
První proces sečení po první instalaci	511
Aplikace iMOW®	512
Menu	512
Pokyny k obsluze	512
Indikátor stavu	514
Informační oblast	515
Hlavní menu	515
Start	515
Návrat domů	516
Vyžínací plán	516
Více	517
Nastavení	517
iMOW® – Nastavení stroje	517
Nastavení dešťového čidla	518
Nastavení indikátoru stavu	518
Instalace	519

Nastavení výchozích bodů	519	Kryt	535	Adresa ředitelství společnosti STIHL	548
Přímý návrat domů	520	Úprava naprogramovaných hodnot	536	Adresy prodejních organizací STIHL	548
Bezpečnost	521	Sečení v automatickém režimu	536	Adresy importérů produktů STIHL	548
Servis	522	Sečení nezávislé na aktivních dobách	537	Technické údaje	548
Informace	523	Připojení robotické sekačky k dobíjecí stanici	537	Hlášení	549
Omezovací drát	524	Nabít akumulátor	537	Hledání závad	557
Plánování trasy omezovacího drátu	524	Údržba	538	Servisní plán	561
Nákres sečené plochy	525	Plán údržby	538	Potvrzení předání	561
Uložení omezovacího drátu	525	Čištění stroje	539	Potvrzení servisu	561
Připojení omezovacího drátu	525	Kontrola přípustných hranic opotřebení žacího nože	539	Příklady pro instalaci	562
Vzdálenost drátu – použití pravítka iMOW®	526	Demontáž a montáž žacího nože	540	Open-source software	567
Rohy s ostrým úhlem	527	Ostření žacího nože	541		
Úzká místa	527	Demontáž a montáž unášecího kotouče	541		
Instalace propojovacích cestiček	527	Hledání lomu drátu	541		
Uzavřené plochy	528	Uskladnění stroje a zimní přestávka	542		
Vedlejší plochy	529	Demontáž dobíjecí stanice	543		
Úzké průchody	529	Běžné náhradní díly	544		
Vyhledávací smyčky pro funkci odsazení od okraje při návratu domů	530	Příslušenství	544		
Přesné sečení na hranách	531	Opatření pro minimalizování opotřebení a zabránění vzniku škod	544		
Svažující se terén podél omezovacího drátu	532	Ochrana životního prostředí	545		
Instalace rezervy drátu	532	Demontáž akumulátoru	545		
Použití elektrických konektorů	532	Přeprava stroje	546		
Těsné vzdálenosti od okrajů	533	Zvedání nebo přenášení stroje	546		
Dobíjecí stanice	533	Upevnění stroje	547		
Ovládací prvky dobíjecí stanice	533	Prohlášení o shodnosti výroby	547		
Pokyny pro sečení	534	EU prohlášení o shodě pro elektrickou akumulátorovou robotickou sekačku (RMI) s dobíjecí stanicí (ADO)	547		
Všeobecné informace	534	Servisní organizace	547		
Mulčování	534				
Aktivní doby	534				
Doba sečení	535				
Domov. oblast	535				
Uvedení stroje do provozu	535				
Příprava	535				

2. O tomto návodu k použití

2.1 Všeobecné informace

Tento návod k použití je **originální návod k použití** od výrobce ve smyslu směrnice EU 2006/42/EC.

Společnost STIHL neustále pracuje na dalším technickém vývoji a rozšiřování sortimentu svých výrobků, a proto si vyhrazuje právo na změny obsahu dodávek z hlediska konstrukce a vybavení.

Z tohoto důvodu nemohou být z údajů a vyobrazení uvedených v tomto katalogu vyvozeny žádné právní nároky.

V tomto návodu k použití jsou případně popsány modely, které nejsou dostupné v každé zemi.

Tento návod k použití je chráněn autorskými právy. Všechna práva jsou vyhrazena, zvláště právo na rozmnožování, překlady a zpracování elektronickými systémy.

2.2 Provedení podle země vývozu

Společnost STIHL dodává stroje s různými elektrickými zástrčkami a spínači v závislosti na zemi vývozu.

Na obrázcích jsou stroje zobrazeny s eurozástrčkami; stroje s jiným provedením zástrček se připojují do elektrické sítě podobným způsobem.

2.3 Návod ke čtení tohoto návodu k použití

Obrázky a texty popisují určité manipulační kroky.

V návodu k použití jsou vysvětleny také veškeré obrázkové symboly umístěné na stroji.

Směr pohledu:

Směr pohledu při označení směru „**vlevo**“ a „**vpřavo**“ je v tomto návodu k použití definován takto:
Obsluha stojí za strojem a dívá se dopředu ve směru jízdy.

Odkaz na příslušnou kapitolu:

Šipka ukazuje na související kapitoly a podkapitoly, ve kterých lze najít další vysvětlení. V následujícím příkladu je uveden odkaz na příslušnou kapitolu: (⇒ 3.)

Označení jednotlivých textových bloků:

Popsané pokyny mohou být označeny podle následujících příkladů.

Manipulační kroky vyžadující přímý zákrok obsluhy:

- Pomocí šroubováku uvolněte šroub (1), stiskněte páku (2)...

Všeobecný výčet:

- Použití stroje při sportovních nebo soutěžních akcích

Texty se zvláštním významem:

Textové bloky se zvláštním významem jsou za účelem zdůraznění zvláštního významu označeny v návodu k použití jedním z následujících symbolů.



Nebezpečí!

Nebezpečí nehody a těžkých úrazů osob. Zde je nutno dodržovat určitá pravidla nebo se něco zakazuje.



Varování!

Nebezpečí úrazu osob. Dodržováním předepsaných pravidel lze možným nebo pravděpodobným úrazům zabránit.



Pozor!

Dodržováním předepsaných pravidel lze zabránit lehkým úrazům, resp. vzniku materiálních škod.



Upozornění

Informace pro lepší využití funkcí stroje a pro zabránění případné nesprávné obsluhy.

Texty k obrázku:

Obrázky, které vysvětlují použití stroje, se nacházejí na začátku Návodu k použití.

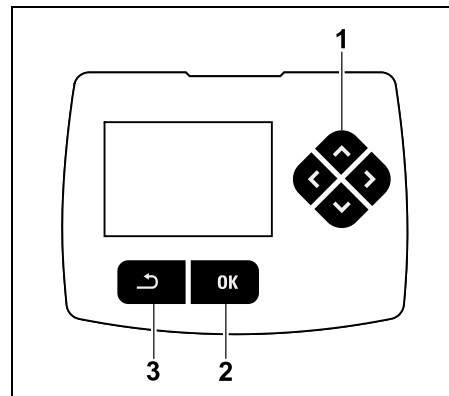
Symbol kamery slouží k propojení určitého obrázku v obrázkové části s odpovídajícím textem v Návodu k použití.



Obrázky s textovými úseky:

Manipulační kroky s přímým vztahem k obrázku naleznete hned za obrázkem s příslušnými čísly položek.

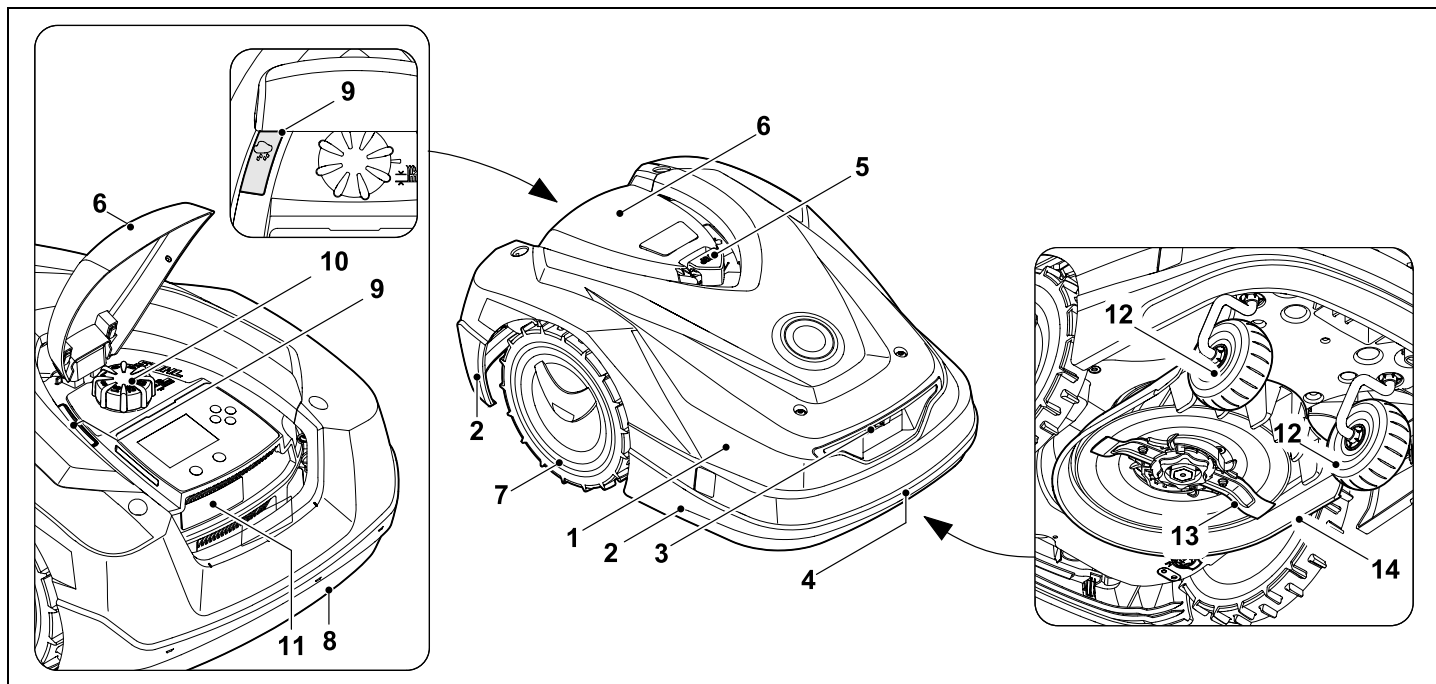
Příklad:



Čtyřsměrové ovládací tlačítko (1) slouží k procházení nabídek, tlačítko OK (2) k potvrzení nastavení a otevírání nabídek. Stisknutím tlačítka Zpět (3) můžete opustit nabídku.

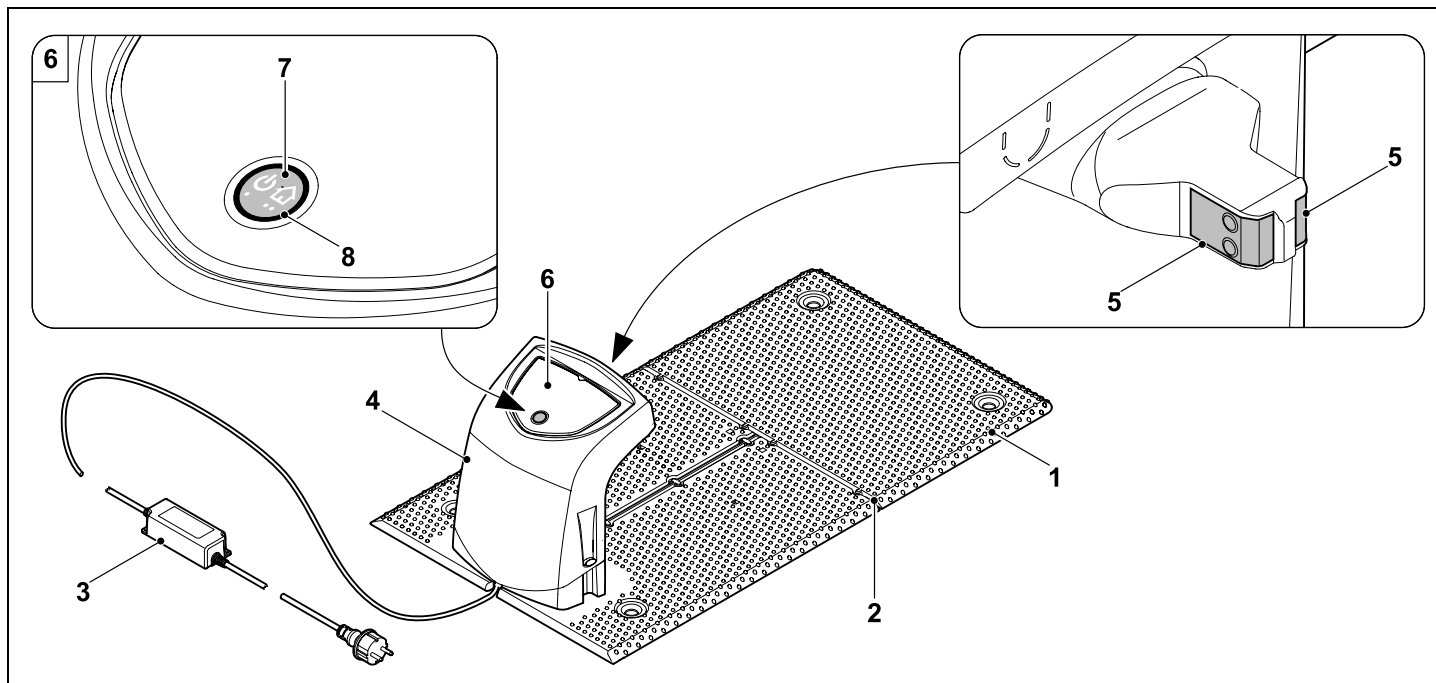
3. Popis stroje

3.1 Robotická sekačka



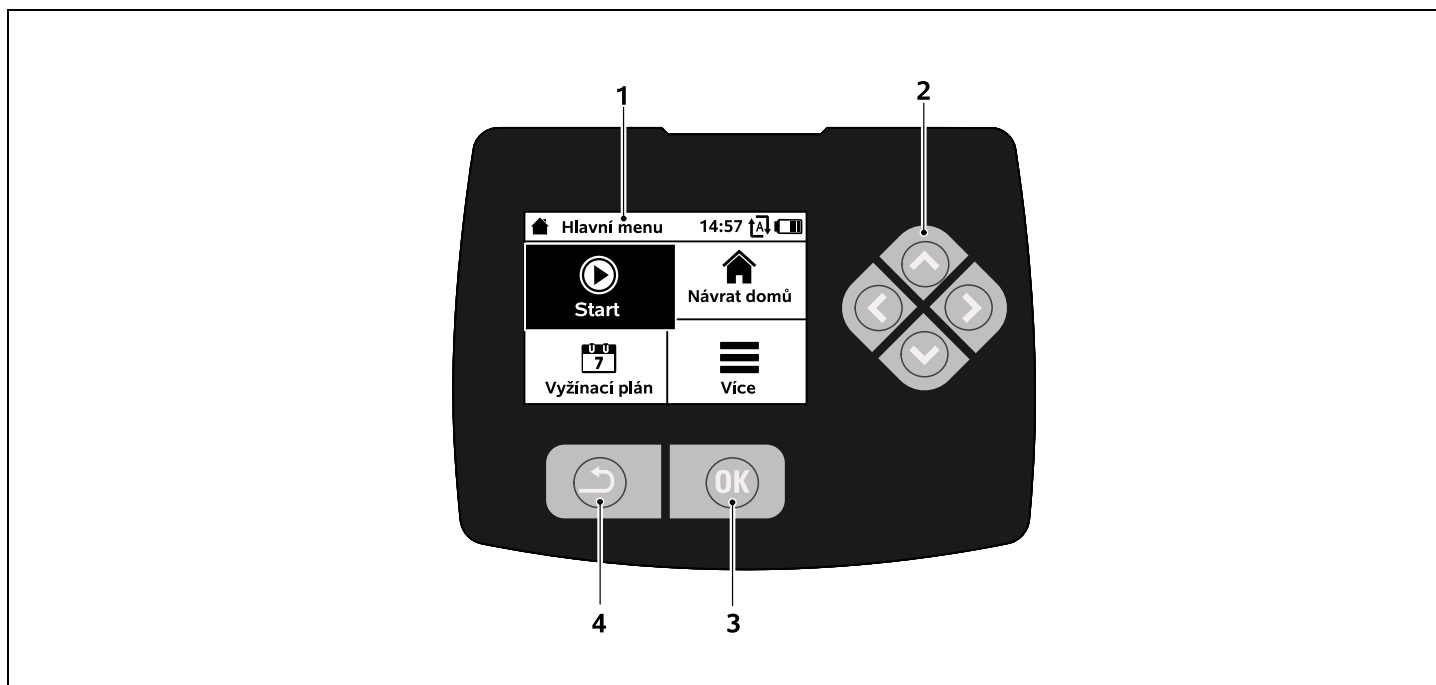
- | | | | |
|---|---|----|--|
| 1 | Volně uložená kapota (⇒ 5.4), (⇒ 5.5) | 8 | Držadlo vzadu (vestavěno do pohyblivé kapoty) (⇒ 21.1) |
| 2 | Ochranná lišta | 9 | Dešťové čidlo (⇒ 11.10) |
| 3 | Nabíjecí kontakty:
kontakty k připojení k dobíjecí stanici | 10 | Křídlová matice k seřízení výšky sečení (⇒ 9.5) |
| 4 | Držadlo vpředu (vestavěno do pohyblivé kapoty) (⇒ 21.1) | 11 | Typový štítek se sériovým číslem stroje |
| 5 | Tlačítko STOP (⇒ 5.1) | 12 | Přední kolo |
| 6 | Kryt (⇒ 15.2) | 13 | Oboustranně ostřený žací nůž (⇒ 16.4) |
| 7 | Hnací kolo | 14 | Žací ústrojí |

3.2 Dobíjecí stanice



- 1 Základová deska
- 2 Kabelová vedení k vložení omezovacího drátu (⇒ 9.10)
- 3 Síťový zdroj
- 4 Snímatelný kryt (⇒ 9.2)
- 5 Nabíjecí kontakty:
kontakty k připojení k robotické sekačce
- 6 Ovládací panel
s tlačítkem a kontrolkou LED
(⇒ 13.1)
- 7 Tlačítko
- 8 Kontrolka LED

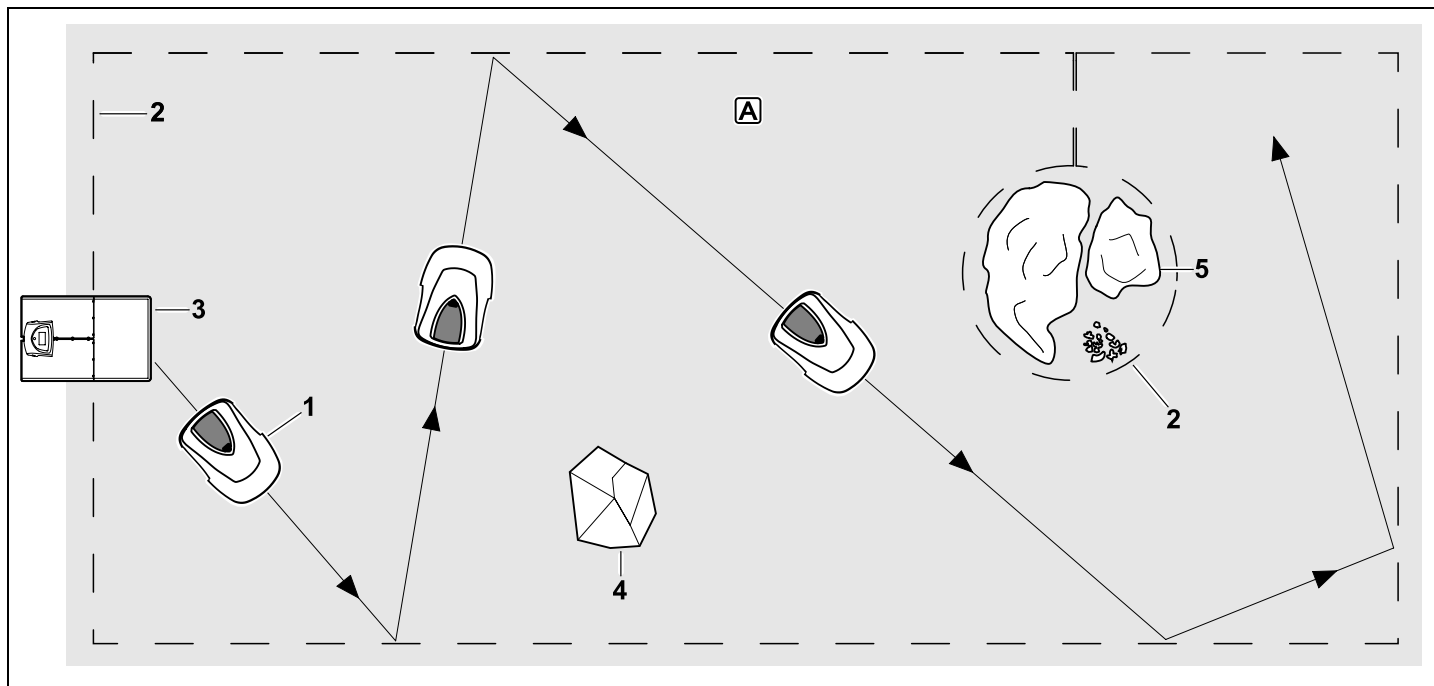
3.3 Displej



- 1 Grafický displej
- 2 Čtyřsměrové ovládací tlačítko:
Procházení nabídek (⇒ 11.1)
- 3 Tlačítko OK:
Procházení nabídek (⇒ 11.1)
- 4 Tlačítko Zpět:
Procházení nabídek

4. Jak robotická sekačka pracuje

4.1 Princip funkce



Robotická sekačka (1) je koncipována k automatickému sekání travnatých ploch. Seče trávník podle náhodného vzorce pohybových drah.

Aby robotická sekačka rozpoznala okraj sečené plochy **A**, musí být příslušná plocha ohraničena omezovacím drátem (2). Drátem prochází signál drátu vysílaný z dobíjecí stanice (3).

Robotická sekačka je vybavena nárazovým čidlem, které bezpečně rozpozná pevné překážky (4) na sečené

ploše. Oblasti (5), do nichž robotická sekačka nesmí vjet, a překážky, do nichž nesmí narazit, je třeba ohraničit omezovacím drátem, a oddělit je tak od sečené plochy.

Pokud je automatika zapnutá, robotická sekačka samostatně opustí **v aktivních dobách, které jste stanovili** (⇒ 14.3), dobíjecí stanici a seče trávník. Za účelem nabití akumulátoru zajede robotická sekačka automaticky do dobíjecí stanice. Pokud je vybrán typ vyžínacího plánu

„Standardní“, robotická sekačka seče a nabíjí se během celé aktivní doby. Pokud je vybrán typ vyžínacího plánu „Dynamický“, počet etap sečení a dobíjení i doba jejich trvání v rámci stanovených aktivních dob se zcela automaticky přizpůsobí.

Při vypnutí automatice a u etap sečení **bez ohledu na aktivní doby** lze etapu sečení aktivovat příkazem „Start“ v nabídce. (⇒ 11.5)



Robotické sekačky STIHL lze spolehlivě provozovat v bezprostřední blízkosti jiných robotických sekaček. Signál drátu splňuje standard EGMF (Evropská federace

výrobců zahradnických strojů) týkající se elektromagnetických emisí.

5. Bezpečnostní zařízení

Stroj je za účelem bezpečné obsluhy a pro ochranu před neodborným používáním vybaven několika bezpečnostními zařízeními.

Nebezpečí úrazu!

Pokud se u některého z bezpečnostních zařízení zjistí závada, nesmí se stroj uvést do provozu. V tomto případě se obraťte na odborného prodejce. STIHL doporučuje odborného prodejce STIHL.

5.1 Tlačítko STOP

Stisknutím červeného tlačítka STOP na horní straně robotické sekačky se okamžitě zastaví provoz stroje. Žací nůž se zastaví během několika sekund a na displeji se zobrazí hlášení „Stisknuto tlačítko STOP“. Po dobu aktivního hlášení nelze robotickou sekačku uvést do provozu; stroj je bezpečně zajištěn. (⇒ 24.)

Pokud je zapnutá automatika zobrazí se po potvrzení hlášení stisknutím tlačítka OK dotaz, zda chcete pokračovat v automatickém provozu. Pokud zvolíte možnost **Ano**, bude



robotická sekačka pokračovat v sečení trávníku podle vyřínacího plánu. Pokud zvolíte možnost **Ne**, zůstane robotická sekačka stát na sečené ploše a automatika se vypne. (⇒ 15.4)



Stisknutím a podržením tlačítka STOP se aktivuje funkce blokování stroje. (⇒ 5.2)

5.2 Blokování přístroje

Robotická sekačka se musí zablokovat před zahájením veškerých údržbářských prací nebo čištění, před převozem i prohlídkou.



Pokud je funkce blokování stroje aktivní, nelze robotickou sekačku uvést do provozu.

Aktivace funkce blokování přístroje:

- stisknutím a podržením **tlačítka STOP**,
- v nabídce **Více**,
- pomocí nabídky **Bezpečnost**.

Aktivace funkce blokování stroje pomocí nabídky „Více“:

- Zvolte v nabídce „Více“ možnost „Zablokování iMOW®“ a volbu potvrďte stisknutím tlačítka OK. (⇒ 11.8)

Aktivace funkce blokování stroje pomocí nabídky „Bezpečnost“:

- Otevřete v nabídce „Více“ podnabídky „Nastavení“ a „Bezpečnost“. (⇒ 11.16)
- Zvolte možnost „Blok. přístr.“ a volbu potvrďte stisknutím tlačítka OK.

Deaktivace funkce blokování stroje:

- V případě potřeby uveďte stroj do aktivního stavu stisknutím libovolného tlačítka.

- Robotickou sekačku odblokujete pomocí zobrazené kombinace tlačítek. V pořadí uvedeném na displeji stisknete **tlačítko OK** a **tlačítko Zpět**.



5.3 Ochranné kryty

Robotická sekačka je vybavena ochrannými kryty, jež zabraňují neúmyslnému kontaktu s žacím nožem a vyhazovanou posečenou hmotou. Nejdůležitějším krytem je kapota.

5.4 Nárazové čidlo

Robotická sekačka je vybavena pohyblivou kapotou, která plní funkci nárazového čidla. Pokud robotická sekačka v automatickém režimu narazí na pevnou překážku vyšší než 8 cm, která je pevně spojena se zemí, ihned se zastaví. Po chvíli změní směr jízdy a pokračuje v sečení. Pokud se nárazové čidlo aktivuje příliš často, zastaví se pohyb žacího nože.



Při nárazu do překážky stroj vyvine určitou sílu. Křehké překážky, případně předměty o nižší hmotnosti (např. menší květináče), mohou být překloupeny nebo poškozeny.

Společnost STIHL doporučuje, aby byly překážky buď odstraněny, nebo vymezeny pomocí uzavřených ploch. (⇒ 12.9)

5.5 Ochrana proti zvedání

Když robotickou sekačku zvednete za kapotu ze země, etapa sečení se ihned přeruší. Žací nůž se během několika sekund zastaví.

5.6 Čidlo sklonu

Pokud je při provozu stroje zaznamenáno překročení povoleného sklonu svahu, změní robotická sekačka okamžitě směr jízdy. Při překlopení stroje se vlastní pojezd i žací motor okamžitě vypnou.

5.7 Osvětlení displeje

Během provozu stroje je displej osvětlen. Díky světlu robotickou sekačku snadno rozpoznáte i za tmy.

5.8 Požadavek PIN

Pokud je aktivní požadavek PIN, zazní při zvednutí robotické sekačky výstražný signál v případě, že do jedné minuty kód PIN nezádáte. (⇒ 11.16)

Robotická sekačka pracuje výhradně s dodanou dobíjecí stanicí. Pokud byste chtěli použít jinou dobíjecí stanicí, musíte ji s robotickou sekačkou nejprve spárovat. (⇒ 11.16)



Společnost STIHL doporučuje nastavit „Nízký“, „Střední“ nebo „Vysoký“ **bezpečnostní stupeň**. Tím je zaručeno, že neoprávněná osoba nemůže robotickou sekačku používat spolu s jinou dobíjecí stanicí a nemůže měnit nastavení nebo naprogramované hodnoty.

5.9 Ochrana GPS

Robotická sekačka je vybavena přijímačem GPS. V případě aktivované ochrany GPS je majitel stroje vyrozuměn o tom, že je stroj uváděn do provozu mimo

domovskou oblast. Kromě toho se na displeji zobrazí výzva k zadání kódu PIN. (⇒ 14.5)



Doporučení:

Funkce ochrany GPS by měla být trvale aktivována. (⇒ 11.16)

6. Pro vaši bezpečnost

6.1 Všeobecně



Při práci se strojem bezpodmínečně dodržujte tyto bezpečnostní předpisy.



Před prvním uvedením stroje do provozu si pozorně přečtete celý návod k použití. Návod k použití pečlivě uložte pro pozdější potřebu.

Tato bezpečnostní opatření je nutno bezpodmínečně dodržovat v zájmu vaší vlastní bezpečnosti, avšak jejich výčet není konečný. Používejte stroj vždy s rozumem a s vědomím zodpovědnosti a pamatujte na to, že uživatel zodpovídá za úrazy dalších osob nebo poškození jejich majetku.

Pojem „použití“ zahrnuje všechny práce na robotické sekačce, dobíjecí stanicí a omezovacím drátů.

Pojem „uživatel“ je definován jako:

- osoba, která robotickou sekačku nově programuje nebo která mění stávající naprogramování;
- osoba, která provádí práce na robotické sekačce;
- osoba, která uvádí stroj do provozu nebo jej zapíná;

- osoba, která pokládá nebo vyzvedává omezovací drát, případně instaluje nebo odstraňuje dobíjecí stanicí.

Také použití aplikace **iMOW®** spadá pod pojem „použití“ ve smyslu tohoto návodu k použití

Stroj používejte pouze tehdy, pokud jste odpočinutí a v dobré tělesné i duševní kondici. V případě, že jste zdravotně handicapováni, měli byste se dotázat svého lékaře, zda smíte se strojem pracovat. Se strojem se nesmí pracovat po požití alkoholu, drog nebo léků, které ovlivňují reakční schopnost.

Důkladně se seznámte s ovládacími prvky a použitím stroje.

Stroj smí používat pouze osoby, které si přečly návod k použití a jsou obeznámeny s ovládáním stroje. Před prvním uvedením stroje do provozu musí uživatel absolvovat odborné a praktické zaškolení. Uživatelé musí být ze strany prodejce nebo jiné odborně způsobilé osoby vysvětleno, jak se musí stroj obsluhovat.

Při tomto zaškolení musí být uživatelé zvláště zdůrazněno, že je pro práci se strojem nezbytná nejvyšší opatrnost a koncentrace.

Zbytková rizika nebude nikdy možno zcela vyloučit ani tehdy, jestliže tento stroj budete obsluhovat předepsaným způsobem.



Riziko smrti udušením!

Děti by se mohly při hře s obalovým materiálem udusit. Bezpodmínečně tedy zabraňte dětem v přístupu k obalovému materiálu.

Stroj svěřujte, resp. půjčujte pouze osobám, které jsou s tímto modelem a jeho obsluhou důkladně seznámeny. Návod k použití je součástí stroje a musí být vždy předán společně s ním.

Zajistěte, že je uživatel fyzicky, smyslově a mentálně schopný se strojem pracovat a obsluhovat jej. Pokud je uživatel fyzicky, smyslově nebo mentálně omezen, může s ním pracovat pouze pod dohledem nebo podle pokynů odpovědné osoby.

Zajistěte, aby byl uživatel plošný nebo byl v souladu s vnitrostátními předpisy vyškolen pod dohledem v práci.

Pozor – nebezpečí úrazu!



Zajistěte, aby se děti během sečení nezdržovaly v blízkosti stroje ani v blízkosti sečené plochy.



Zajistěte, aby se psi a jiná domácí zvířata během sečení nezdržovali v blízkosti stroje ani v blízkosti sečené plochy.

Z bezpečnostních důvodů je zakázáno, s výjimkou odborné montáže příslušenství a přídatných zařízení schválených společností STIHL, provádět na stroji jakékoli změny, kromě toho má takové jednání za následek zrušení všech nároků vyplývajících ze záruky. Informace o schváleném příslušenství a přídatných zařízeních obdržíte u svého odborného prodejce produktů STIHL.

Zejména je zakázána jakákoli manipulace se strojem, která by změnila výkon nebo otáčky elektromotorů.

Na stroji se nesmí provádět žádné změny, které vedou ke zvýšení hlučnosti.

Software stroje nesmí být z bezpečnostních důvodů nikdy měněn ani upravován.

Při použití stroje na veřejných zelených plochách, v parcích, na sportovištích, veřejných komunikacích a v zemědělském či lesním hospodářství se musí pracovat s nejvyšší opatrností.

Se strojem není dovoleno transportovat žádné předměty, zvířata nebo osoby, obzvláště děti.

Nikdy nedovolte, aby se jiné osoby, zejména děti, vozily na robotické sekačce nebo na ni sedaly.

Pozor – nebezpečí úrazu!

Robotická sekačka je určena k automatické údržbě trávníků. Jiné použití není dovoleno – jinak hrozí nebezpečí úrazu nebo poškození stroje.

Nebezpečí úrazu omezíte tak, že stroj nebudete používat k následujícím pracím (výčet příkladů není úplný):

- stříhání houští, živých plotů a křoví,
- sekání popínavých rostlin,
- údržba trávníků na střechách a v balkónových květinových truhlících,
- drcení a rozmělnění odřezků větví stromů a keřů,
- čištění chodníků (vysávání, vyfukování),
- vyrovnávání nerovností půdy, např. krtinců.

6.2 Oděv a příslušenství



Noste vždy pevnou obuv s drsnou podrážkou a nikdy nepracujte bosí ani například v sandálech,

- když se přibližujete k robotické sekačce, která je v provozu.



Při instalaci, údržbě a všech ostatních pracích na stroji nebo dobíjecí stanici noste vhodný pracovní oděv.

Nikdy nenoste volné oblečení, které by se mohlo zachytit o pohybující se díly stroje. Nenoste ani žádné šperky, kravaty a šály.

Noste dlouhé kalhoty, a to zejména tehdy,

- když se přibližujete k robotické sekačce, která je v provozu.



Při provádění údržby a oprav, při práci s omezovacím drátem (pokládání drátu a jeho vyzvedávání) a při upevňování dobíjecí stanice používejte pracovní rukavice z pevného materiálu. Chraňte své ruce zejména při manipulaci s žacíím nožem a zarážení kolíků, jakož i při upevňování dobíjecí stanice pomocí skob.

Při všech pracích na stroji si lidé s dlouhými vlasy musí vlasy svázat a upravit (použit šátek na hlavu, čepici atd.).



Při zarážení kolíků a při upevňování dobíjecí stanice pomocí skob používejte ochranné brýle.

6.3 Varování – nebezpečí úrazu elektrickým proudem

Pozor! **Nebezpečí úrazu elektrickým proudem!**

Obzvláště důležité pro bezpečnost provozu jsou neporušený síťový kabel a síťový konektor u síťového zdroje. Pro zabránění nebezpečí úrazu elektrickým proudem není dovoleno používat poškozené kabely, spojky a vidlice nebo předpisům nevyhovující přívodní kabely.



Z toho důvodu pravidelně kontrolujte přívodní kabel, zda nevykazuje známky poškození či stárnutí materiálu (praskliny).

Používejte pouze originální síťový zdroj.

Síťový zdroj nepoužívejte,

- je-li poškozený nebo opotřebený,
- jsou-li poškozené nebo opotřebené kabely. Kontrolujte zejména přívodní síťový kabel, zda není poškozen mechanicky či následkem stárnutí materiálu.

Všechny údržbářské práce a opravy přívodního síťového vedení a síťového zdroje smí provádět výlučně odborný prodejce.

Nebezpečí úrazu elektrickým proudem!

Poškozený kabel nezapojte do elektrické sítě a poškozeného kabelu se dotýkejte až poté, co byl odpojen od elektrické sítě.

Přívodní kabely síťového zdroje nesmí být upravovány (např. zkráceny). Je zakázáno prodlužovat kabel mezi síťovým zdrojem a dobíjecí stanicí.

Konektor síťového zdroje lze připojit k elektronice dobíjecí stanice pouze v suchém a neznečištěném stavu.

Síťový zdroj a kabel nepokládejte na mokřý podklad.

Nebezpečí úrazu elektrickým proudem!

Není dovoleno používat poškozené kabely, spojky, vidlice nebo předpisům nevyhovující přívodní kabely.

Vždy předem zkontrolujte, zda je použité přívodní síťové vedení dostatečně jištěno.

Při rozpojování přívodního kabelu uchopte vždy přímo těleso vidlice a zásuvky, nikdy netahejte za přívodní kabely.

Stroj zapojte pouze do elektrické sítě, kterou doporučujeme vybavit proudovým chráničem se jmenovitým vybavovacím rozdílovým proudem max. 30 mA. V případě nejasností se obraťte na odborníka s elektrotechnickou kvalifikací.

Pokud je síťový zdroj připojen k elektrickému napájení mimo budovy, musí být tato zásuvka schválena pro provoz ve venkovním prostředí. Bližší informace ohledně specifických předpisů dané země Vám poskytne elektroinstalátér.

Pokud je stroj připojen k elektrickému agregátu, dbejte na to, aby nedošlo k poškození v důsledku kolísání proudu.

6.4 Akumulátor

Používejte pouze originální akumulátor.

Akumulátor je určen pouze k pevnému zabudování do robotické sekačky STIHL. Robotická sekačka zajišťuje jeho optimální ochranu a pokud stojí v dobíjecí stanici, akumulátor se nabíjí. Je zakázáno používat jinou nabíječku. Při použití


nevhodné nabíječky by mohlo dojít k úrazu elektrickým proudem, přehřátí stroje nebo k úniku elektrolytu z akumulátoru.

Akumulátor nikdy neotevírejte.

Akumulátor nesmí spadnout.

Nepoužívejte poškozený nebo deformovaný akumulátor.

Akumulátor uskladňujte mimo dosah dětí.

 **Nebezpečí výbuchu!**
Chraňte akumulátor před působením přímého slunečního záření, horka a ohně – v žádném případě jej neházejte do ohně.



Akumulátor používejte a skladujte jen při teplotách v rozsahu -10 °C až +50 °C.



Akumulátor chraňte před deštěm a vlhkostí – neponořujte jej do kapalin.



Akumulátor nevystavujte mikrovlnnému záření nebo působení vysokého tlaku.

Kontakty akumulátoru nikdy nespojte kovovými předměty (zkratování). Zkratováním se může akumulátor poškodit.

Nepoužívaný akumulátor uložte tak, aby se nemohl dostat do kontaktu s kovovými předměty (jako např. hřebíky, mincemi, šperky). Na transport nepoužívejte kovové přepravky – **Nebezpečí exploze a požáru!**

Při nesprávném použití může dojít k úniku elektrolytu z akumulátoru – zabraňte kontaktu s vyteklou kapalinou! Při náhodném kontaktu postižená místa okamžitě opláchněte vodou. Pokud dojde k zasažení očí, vyhledejte lékařskou pomoc. Při kontaktu s vyteklou

akumulátorovou kapalinou může dojít k podráždění, popálení nebo poleptání pokožky.

Do větracích otvorů akumulátoru nestrkejte žádné předměty.

Další související bezpečnostní pokyny najdete na adrese <http://www.stihl.com/safety-data-sheets>.

6.5 Převrta stroje

Před přepravou, zejména pokud je robotická sekačka zvedána, vždy aktivujte funkci blokování přístroje. (⇒ 5.2)

Před transportem nechte stroj vychladnout.

Při zvedání a přenášení stroje zabraňte kontaktu se žacím nožem. Robotickou sekačku zvedejte výhradně za obě držadla – nikdy nesahejte pod stroj.

Berte v úvahu hmotnost stroje a podle potřeby použijte k nakládání vhodné nakládací pomůcky (zdvihací zařízení).

Stroj společně s transportovaným příslušenstvím (např. dobíjecí stanicí) zajistěte na ložné ploše pomocí dostatečně dimenzovaných vázacích prostředků (upínací popruhy, lana apod.) k upevňovacím bodům, popsáním v tomto návodu k použití. (⇒ 21.)

Při transportu stroje dodržujte platné regionální zákonné předpisy, zejména předpisy o bezpečnosti a zajištění nákladu během transportu a způsobu dopravy předmětů na ložné ploše.

Akumulátor nenechávejte ležet v autě a nikdy ho nevystavujte působení přímého slunečního záření.

S lithium-iontovými akumulátory se musí při transportu zacházet zvlášť opatrně. Dbejte zejména na zajištění správné ochrany proti zkratu. Akumulátor přepravujte pouze v robotické sekačce.

6.6 Před uvedením stroje do provozu

Se strojem smí pracovat pouze osoby, které se seznámily s obsahem návodu k použití.

Postupujte podle pokynů k instalaci dobíjecí stanice (⇒ 9.1) a omezovacího drátu (⇒ 12.).

Omezovací drát a síťový kabel musí být dobře připevněny k zemi, aby o ně nebylo možné zakopnout. Nepokládejte ho pokud možno přes hrany (např. chodníky, dlažební kostky). Při uložení drátu v oblasti povrchu, do něhož nelze zarazit kolíky (např. dlažební kostky, chodníky), použijte kabelový kanál.

Pravidelně kontrolujte správné uložení omezovacího drátu.

Kolíky zarážejte až na doraz, aby o ně nebylo možné zakopnout.

Dobíjecí stanici neinstalujte na nepřehledném místě, kde by o ni snadno mohl někdo zakopnout (např. za rohem domu).

Dobíjecí stanici nainstalujte pokud možno mimo dosah drobných zvířat, jako jsou mravenci nebo šneci. Vyhýbejte se zejména oblastem kolem mravenišť a kompostů.

Oblasti, kterými robotická sekačka nemůže bez rizika projet (např. kvůli nebezpečí pádu), je nutné ohraničit uložáním omezovacího drátu. Společnost STIHL doporučuje uvádět

robotickou sekačku do provozu pouze na travnatých plochách a zpevněných cestách (např. na dlážděných vjezdech).

Robotická sekačka nedokáže rozpoznat místa, která mohou vést k pádu, jako jsou hrany, schody, bazény nebo jezírka. Pokud je omezovací drát uložen podél míst, která mohou vést k pádu stroje, musí být z bezpečnostních důvodů mezi omezovacím drátem a nebezpečným místem udržena vzdálenost více než **1 m**.

Pozemek, na kterém se má se sekačkou pracovat, pravidelně kontrolujte a odstraňujte všechny kameny, větve, dráty, kosti či jiná cizí tělesa, která by mohla být strojem odmrštěna.

Po instalaci omezovacího drátu odstraňte ze sečené plochy především všechno nářadí. Zlomené nebo poškozené kolíky vytáhněte z travního drnu a odpovídajícím způsobem zlikvidujte.

Pravidelně kontrolujte, zda na sečené ploše nejsou nerovnosti. V případě potřeby je odstraňte.

Nikdy stroj nepoužívejte v případě, že jsou bezpečnostní zařízení poškozená nebo nejsou namontovaná.

Na stroji nainstalované bezpečnostní spínače a bezpečnostní zařízení nesmějí být odstraněny ani přemostěny.

Před použitím stroje se musí vyměnit všechny vadné, opotřebené a poškozené součásti. Neprodleně vyměňte nečitelné či poškozené výstražné a bezpečnostní symboly na stroji. Specializovaný prodejce strojů STIHL má k dispozici náhradní samolepky s upozorněním i všechny další náhradní díly.

Nebezpečí úrazu!

Opotřebované nebo poškozené části (např. tupé řezné nože) mohou ovlivnit bezpečnost stroje a způsobit zranění uživatele.

Před uvedením stroje do provozu je nutné zkontrolovat:

- zda je stroj v řádném provozním stavu; to znamená, že se kryty, bezpečnostní zařízení a klapka nacházejí na svých místech a jsou v bezchybném stavu;
- zda je dobíjecí stanice v řádném provozním stavu; všechny kryty musí být řádně namontovány a být v bezchybném stavu;
- zda je elektrický přívodní kabel síťového zdroje připojen podle předpisů do nainstalované elektrické zásuvky;
- zda je u síťového zdroje izolace přívodního kabelu a síťového konektoru neporušena;
- zda není celý stroj opotřebovaný nebo poškozený (skříň, kapota, klapka, upevňovací díly, žací nůž, nožový hřídel atd.);
- zda jsou žací nůž a upevnění nože neporušené (pevné dosednutí, poškození, opotřebení); (⇒ 16.3)
- zda jsou všechny šrouby, matice a jiné upevňovací prvky na svých místech a řádně dotažené. Uvolněné šrouby a matice před uvedením do provozu pevně dotáhněte. (Dodržujte utahovací momenty.)

V případě potřeby proveďte veškeré nutné práce, příp. vyhledejte odborného prodejce. Společnost STIHL doporučuje odborného prodejce produktů STIHL.

6.7 Programování

Dodržujte platné komunální předpisy pro provozní dobu zahradní techniky s elektromotorem a odpovídajícím způsobem upravte aktivní doby. (⇒ 14.3)

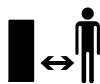
Stroj je třeba naprogramovat tak, aby se v režimu sečení na sečených plochách nezdržovaly žádné další osoby, zvláště děti nebo zvířata.

Změna programování pomocí aplikace iMOW® může mít za následek provádění aktivit, které jiné osoby nebudou očekávat. Změny ve vyžínacím plánu je proto nutné předem sdělit všem osobám, kterých se to týká.

Robotická sekačka se nesmí používat současně se zavlažovacím zařízením. Upravte nastavení stroje odpovídajícím způsobem.

Zajistěte, aby bylo v robotické sekačce uloženo správné datum a čas. V případě potřeby odpovídajícím způsobem upravte nastavení stroje. Pokud nebudou nastaveny správné hodnoty, může se robotická sekačka aktivovat v nesprávnou dobu.

6.8 Během provozu



Zabraňte přístupu nepovolaným osobám, zejména dětem, a také zvířatům do nebezpečné oblasti pracovní zóny.

Nikdy nedovolte, aby se děti přibližovaly k robotické sekačce nebo si s ní hrály.

Zahájení procesu sečení pomocí aplikace iMOW® může být pro třetí osoby neočekávané. Osoby, kterých se to týká, je proto nutné předem informovat o možné aktivitě robotické sekačky.

Nenechte robotickou sekačku nikdy pracovat, pokud víte, že se v její blízkosti budou nacházet zvířata nebo další osoby, zejména děti.

Při provozu robotické sekačky na veřejných místech je nutné kolem sečené plochy umístit štítky s tímto upozorněním: „Varování! Automatická sekačka na trávu! Nepřibližujte se ke stroji! Děti mějte pod dohledem!“



Pozor – nebezpečí úrazu!

Rukama ani nohama nikdy nesahejte na otáčející se díly ani pod ně. Nedotýkejte se rotujícího řezného nože.

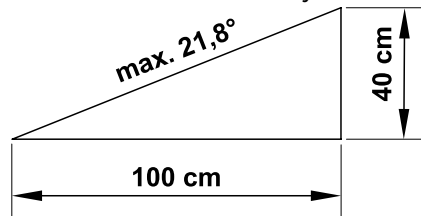
Pokud se schyluje k bouři nebo hrozí nebezpečí blesků, odpojte síťový zdroj od elektrické sítě. Robotická sekačka v takovém případě nesmí být uvedena do provozu.

Pokud je elektromotor robotické sekačky v provozu, nesmí být sekačka překlopena ani zvednuta ze země.

Pokud je některý z elektromotorů v provozu, v žádném případě nemějte nastavení stroje.

Z bezpečnostních důvodů není dovoleno používat stroj na svazích se stoupáním větším než 21,8° (40 %).

Nebezpečí úrazu! Sklon svahu 21,8° odpovídá vertikálnímu stoupání o 40 cm na 100 cm horizontální délky.



STOP

Pamatujte na to, že po vypnutí motoru trvá několik sekund, než se přestanou řezné nástroje otáčet.

Pokud je stroj v provozu, tlačítko **STOP** (⇒ 5.1) stiskněte v případě, že chcete

- otevřít kryt.

Funkci **blokování přístroje aktivujte** (⇒ 5.2),

- před nadzvednutím a přenášením stroje,
- před transportováním stroje,
- než začnete uvolňovat zablokované díly nebo čistit ucpaný vyhadzovací kanál,
- než budete provádět práce na žacím noži,
- před zahájením kontroly nebo čištění stroje,
- pokud došlo ke střetu s cizím tělesem nebo v případě, že robotická sekačka začne abnormálně silně vibrovat. V takových případech zkontrolujte stroj, především řezné ústrojí (řezné nože, nožový hřídel, upevnění řezného nože) z hlediska poškození a proveďte nezbytné opravy dříve, než stroj znovu spustíte a zahájíte na něm práci.



Nebezpečí úrazu!

Silné vibrace zpravidla poukazují na nějakou závadu.

Robotická sekačka nesmí být uvedena do provozu zejména tehdy, když má poškozený či deformovaný nožový hřídel nebo poškozený či deformovaný žací nůž.

Pokud vám chybí potřebné znalosti, nechte provést nutné opravy odborníkem – společností STIHL doporučuje odborného prodejce strojů značky STIHL.

Než od robotické sekačky odejdete, proveďte potřebná bezpečnostní nastavení, aby ji nemohly používat neoprávněné osoby. (⇒ 5.)

Stroj a jeho příslušenství při obsluze nikdy nenaklánějte. Vždy dbejte na udržení rovnováhy a dobré stability ve svazích, a pohybujte se pouze krokem, nikdy neběhejte.

Se strojem nikdy nepracujte v blízkosti otevřeného ohně.

6.9 Údržba a opravy

Před zahájením čištění, oprav nebo údržbářských prací aktivujte funkci blokování přístroje a postavte robotickou sekačku na pevný a rovný povrch.

Před zahájením všech prací na dobíjecí stanici a omezovacím drátu odpojte síťový konektor od síťového zdroje.

Před prováděním údržbářských prací nechte robotickou sekačku přibližně 5 minut vychladnout.



Přívodní síťový kabel smí opravit, resp. vyměnit výlučně autorizovaný odborník s elektrotechnickou kvalifikací.

Po ukončení všech prací na stroji zkontrolujte a v případě potřeby upravte naprogramování robotické sekačky dříve, než ji znovu uvedete do provozu. Především nastavte datum a čas.

Čištění:

Celý stroj se musí v pravidelných intervalech pečlivě čistit. (⇒ 16.2)

Proudem vody (především z vysokotlakého čisticího zařízení) nikdy nestříkejte na části motoru, těsnění, elektrosoučástky nebo ložiska. Následkem toho by mohly být nákladné opravy! Stroj nikdy nečistěte pod tekoucí vodou (např. rozstříkem pomocí zahradní hadice). Nepoužívejte agresivní čisticí prostředky. Takové čisticí prostředky mohou poškodit plastové a kovové díly a tím negativně ovlivnit bezpečný provoz vašeho stroje STIHL.

Údržbářské práce:

Smí se provádět pouze údržbářské práce, které jsou popsány v tomto Návodu k použití, další práce nechejte provést u odborného prodejce.

Potřebujete-li odborné informace nebo nemáte-li k dispozici potřebné nářadí, Váš odborný prodejce Vám **vždy** rád pomůže. STIHL doporučuje nechat provést všechny údržbářské práce a opravy výlučně prostřednictvím odborného prodejce STIHL.

Odborní prodejci STIHL jsou pravidelně školeni a disponují všemi potřebnými technickými informacemi.

Používejte jen nářadí, příslušenství a nástavby, které byly pro tento stroj schváleny firmou STIHL, nebo technicky identické díly, jinak může dojít k nehodám

s újmou na zdraví osob nebo poškozením stroje. V případě dotazů se obračete na odborného prodejce.

Vlastnosti originálního nářadí, příslušenství a náhradních dílů STIHL jsou optimálně sladěny se strojem a se všemi požadavky uživatele. Originální náhradní díly STIHL lze poznat podle čísla náhradních dílů STIHL, podle nápisu STIHL a případně podle značky označující náhradní díly STIHL. Na malých dílech může být toto označení také samostatně.

Samolepicí informační a výstražné piktogramy na stroji udržujte vždy čisté a nepoškozené. Poškozené nebo ztracené samolepicí štítky se musí vyměnit za nové originální štítky od Vašeho odborného prodejce STIHL. Při výměně určitého dílu za nový dbejte na to, aby byl tento nový díl opatřen stejnou nálepkou.

Na řezném ústrojí pracujte jen v ochranných pracovních rukavicích a při práci postupujte s nejvyšší opatrností.

Udržujte všechny šrouby a matice pevně dotažené, zejména pak všechny šrouby a upevňovací prvky řezného ústrojí, aby se stroj vždy nacházel v bezpečném provozním stavu.

Pravidelně kontrolujte celý stroj, zejména před uskladněním (např. před zimní přestávkou) z hlediska opotřebení a poškození. Opotřebené nebo poškozené součásti stroje se musí z bezpečnostních důvodů ihned vyměnit, aby se stroj vždy nacházel v bezpečném provozním stavu.

Pokud musely být při údržbářských pracích demontovány některé součásti nebo ochranná zařízení, je nutno tyto součásti neprodleně a podle předpisu namontovat zpět na původní místo.

6.10 Uskladnění při delších provozních přestávkách

Před uskladněním

- Nabijte akumulátor. (⇒ 15.7)
- Nastavte nejvyšší bezpečnostní stupeň. (⇒ 11.16)
- Přepněte robotickou sekačku do zimního spánku. (⇒ 11.17)

Vždy se ujistěte, že je stroj zajištěn proti neoprávněnému použití (např. před dětmi).

Stroj uskladněte v řádném provozním stavu.

Před uskladněním (např. zimní přestávka) stroj důkladně vyčistěte.

Než stroj uložíte v uzavřené místnosti, nechte jej cca 5 minut vychladnout.

Místnost pro uskladnění stroje musí být suchá a chráněná před mrazem a vstupem nepovolaných osob.

Stroj nikdy neskladujte v blízkosti otevřeného ohně nebo silných zdrojů tepla (např. kamen).

6.11 Likvidace použitých materiálů

Odpadní materiály mohou být škodlivé pro lidi, zvířata nebo životní prostředí a je nutné je správným způsobem likvidovat.

Chcete-li se dozvědět více o odborné likvidaci odpadních materiálů, obraťte se na místní recyklační podnik nebo na odborného prodejce. Společnost STIHL doporučuje odborného prodejce STIHL.

Zajistěte, aby byl použitý a nepotřebný stroj odevzdán do specializované sběrně na ekologickou likvidaci odpadu. Stroj před

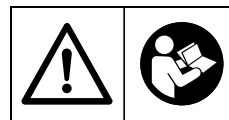
likvidací zneškodněte tak, aby byl nepoužitelný. Možným úrazům předejdete odpojením kabelu síťového zdroje a vyjmutím akumulátoru z robotické sekačky.

Nebezpečí úrazu žacím nožem!

Nikdy nenechávejte bez dozoru ani sekačku na trávu, která je vyřazena z provozu. Zajistěte bezpečné uskladnění stroje a zejména žacího nože mimo dosah dětí.

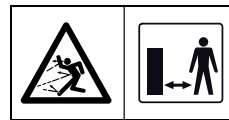
Akumulátor je nutno odevzdat do sběrně odděleně od stroje. Je třeba zajistit bezpečnou a ekologickou likvidaci akumulátorů.

7. Popis symbolů



Varování!

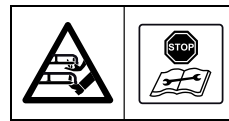
Před uvedením stroje do provozu si přečtěte návod k použití.



Varování!

Pokud je stroj v provozu, udržujte si od něj bezpečný odstup.

Zabraňte přístupu třetích osob do nebezpečné oblasti.



Varování!

Nikdy se nedotýkejte rotujícího řezného nože.

Varování!

Zajistěte stroj, než jej nadzvednete nebo než na něm začnete provádět jakékoli práce.



Varování!

Nesedějte ani nestoupejte na stroj.



Varování!

Nikdy se nedotýkejte rotujícího řezného nože.



Varování!

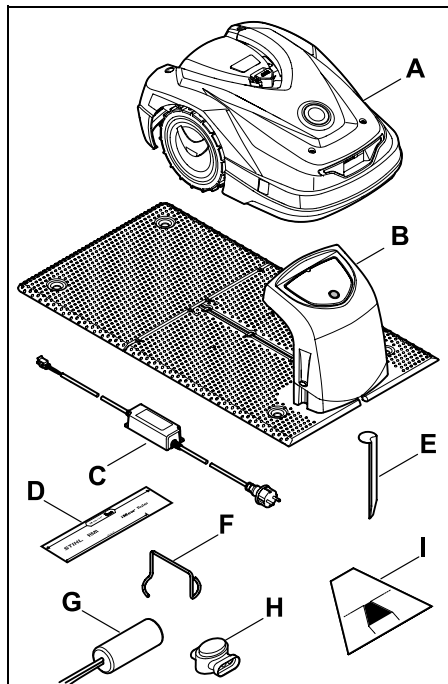
Děti se během sečení nesmí zdržovat v blízkosti stroje ani v blízkosti sečené plochy.



Varování!

Psi a jiná domácí zvířata se během sečení nesmí zdržovat v blízkosti stroje ani v blízkosti sečené plochy.

8. Rozsah dodávky



Poz.	Označení	ks
A	Robotická sekačka	1
B	Dobíjecí stanice	1
C	Síťový zdroj	1
D	Pravítko* iMOW®	2
E	Skoba pro dobíjecí stanici	4
F	Stahovák na unášecí kotouč	1
G	AKM 100	1
H	Elektrický konektor	2
I	Šablona pro úzké průchody*	1
-	Návod k použití	1

* musí být odděleno od kartonové vložky obalu.

9. První instalace

Pro dosažení jednoduché, rychlé a správné instalace dodržujte všechna zadání a pokyny, zejména vzdálenost drátu 28 cm při jeho ukládání. (⇒ 12.)

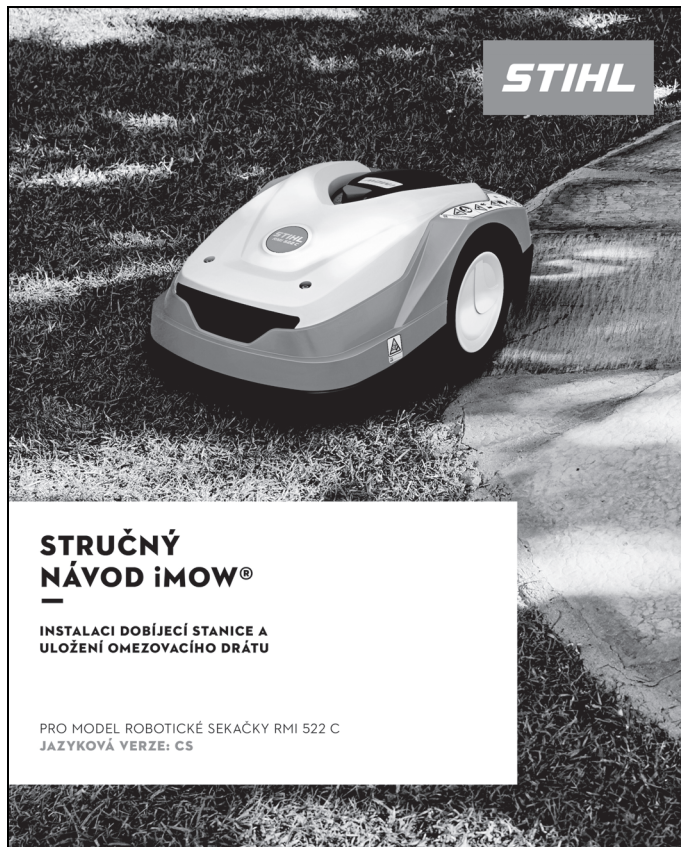
Existuje možnost zvětšení sečené plochy uložení omezovacího drátu blíže k okraji. (⇒ 12.17) Pro zajištění bezpečné funkce je nutné při ukládání přizpůsobit vzdálenost drátu místním podmínkám.

Stručný návod k robotické sekačce iMOW®

K robotické sekačce je přiložen samostatný stručný návod k instalaci dokovací stanice a položení omezovacího drátu. Podrobné informace naleznete v jednotlivých kapitolách tohoto návodu k použití. Stručný návod vždy používejte spolu s návodem k použití robotické sekačky.

Stručný návod k robotické sekačce iMOW®

Zmenšené zobrazení strany 1:



EN

ES

PT

SL

SK

CS

Stručný návod k robotické sekačce iMOW®

Zmenšené zobrazení stran 2 a 3:

ZÁKLADNÍ INSTALACE

UMÍSTĚNÍ DOBÍJECÍ STANICE UVNITŘ SEČENÉ PLOCHY A ULOŽENÍ OMEZOVACÍHO DRÁTU

! TENTO STRUČNÝ NÁVOD POUŽÍVEJTE POUZE SPOLEČNĚ S NÁVODEM K OBSLUZE VAŠÍ ROBOTICKÉ SEKAČKY.

- Před instalací vytvořte náskres zahrady.
- Dobíjecí stanici nainstalujte na vhodné místo a sekačku iMOW® zde nabijte.
- Sekačku iMOW® probudíte stisknutím tlačítka „OK“ a postupujte podle pokynů až po kapitoly „Uložení omezovacího drátu“.
- Uložení omezovacího drátu: K vytvoření odstupů použijte iMOW® Ruler a také šablony pro oké průchody.
- Pokračujte v instalaci podle kapitoly „Připojení omezovacího drátu“ a podle dalších pokynů instalaci dokončete.

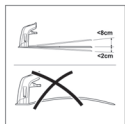
Příprava na instalaci:

- Sečenou plochu před zahájením provozu posečte běžnou sekačkou na trávu na výšku s 6 cm.
- Sečené plochy se nesmí překrývat. Maximální vzdálenost mezi omezovacími dráty = 1 m.
- Maximální vzdálenost mezi robotickou sekačkou iMOW® a omezovacím drátem: 17 m.
- Nastavte výšku sečení sekačkou iMOW®. Doporučení: Stupeň výšky sečení 4.
- Doporučujeme dodržovat dostatečnou vzdálenost od zdrojů rušení, jako jsou například kovy. [☐ 9/19/5/9/9](#)

! Robotické sekačky STIHL iMOW® jsou vyrobeny v souladu se všemi platnými bezpečnostními standardy. Přesto však nesmí být robotické sekačky iMOW® považovány za hračky. V průběhu aktuálních dob robotické sekačky iMOW® dbejte na to, aby se zejména děti, přihlížející osoby a zvířata neozbořily v pracovní oblasti.

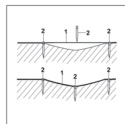
Příslušenství AKM 100 pro malé zahrady:

Pro délky omezovacího drátu s 80 m. [☐ 9/9](#)



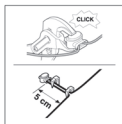
Poloha dobíjecí stanice:

- Ve stínu, na chráněném a vodorovném místě
- Vzdálenost od uzavřené plochy + 2 m
- Doporučujeme použít zásuvku s přípravou ochrany. [☐ 9/12/9](#)



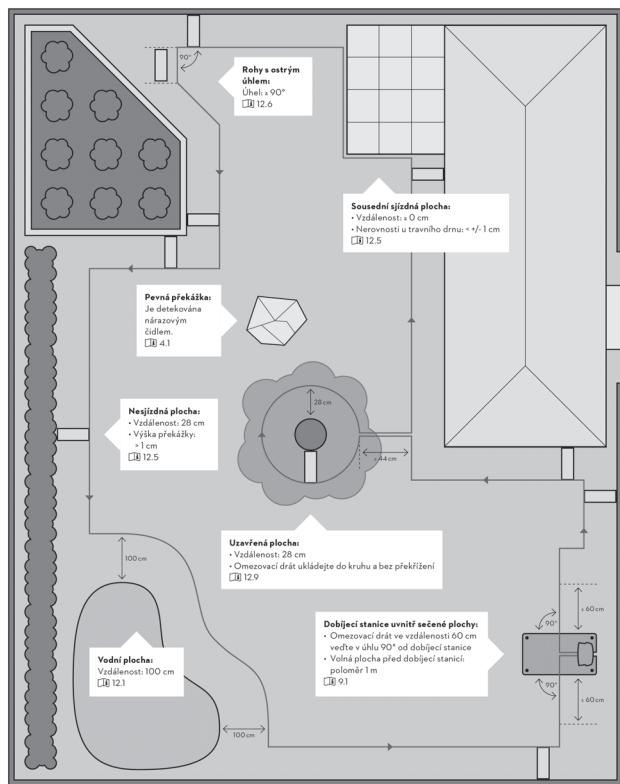
Uložení omezovacího drátu:

- Omezovací drát (1) je třeba uložiti na zemi a v pravidelných odstupech jej připevnit k zemi pomocí kolků (2). V případě nerovnosti použijte další kolků. Omezovací drát ukládejte bez překřížení. [☐ 12.3](#)



Správná instalace elektrických konektorů:

- Volně, neodizolované konce drátu zasuněte až na doraz do elektrického konektoru. Elektrické konektory stlačte k sobě vhodnými kleštěmi - dbejte na to, aby správně zacvakly. [☐ 12.16](#)



Doporučí: <https://support.stihl.com/>

Návod k použití | Omezovací drát | iMOW® Ruler | Šablona pro oké průchody

Ilustrace není v měřítku

ROZŠÍŘENÁ INSTALACE

UMÍSTĚNÍ DOBÍJECÍ STANICE MIMO SEČENOU PLOCHU A ULOŽENÍ OMEZOVACÍHO DRÁTY VE ZVLÁŠTNÍCH PŘÍPÁDECH



Terénní zlomy na sečené ploše:

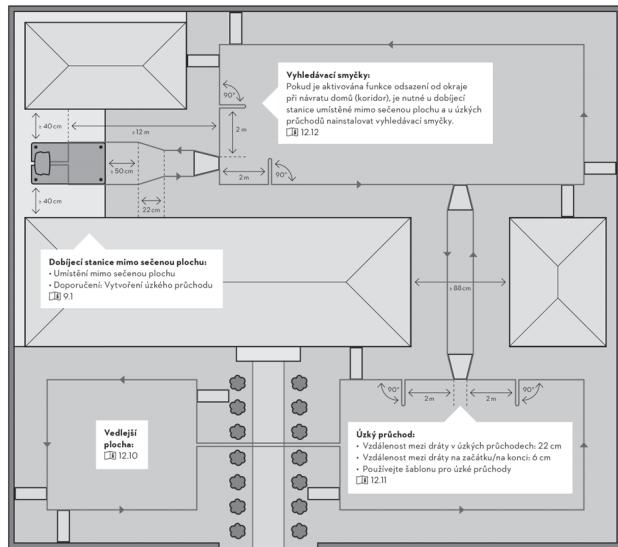
Abyste robotická sekačka obdržela automaticky a bez potíží posekat svažující se terén, je nutné při pokládání omezovacího drátu ve svahu (I) dodržet minimální vzdálenosti od terénního zlomu.

Vzdálenost: 0,5 m
☐ 12.14

Výhled body:

Na sečených plochách, do nichž sekačka vjíždí přes úzký průchod nebo z dobíjecích stanic mimo sečenou plochu, musí být definován jeden výhledový bod.

☐ 9.8/11.13/11.14/12.11



Podporu: <https://support.stihl.com/>

0477-810-1071 CS-15

Ilustrace není v měřítku

9.1 Pokyny k dobíjecí stanici

Požadavky na místo, kde se bude dobíjecí stanice nacházet:

– chráněné, ve stínu.

Pokud by byl stroj vystaven přímému slunečnímu záření, mohlo by dojít k jeho přehřátí a prodloužení doby nabíjení akumulátoru. K dobíjecí stanici lze přimontovat sluneční střešku, která se dodává jako příslušenství. Robotická sekačka tak bude lépe chráněna před povětrnostními vlivy.

– přehledné.

Dobíjecí stanice by měla být na požadovaném stanovišti dobře rozpoznatelná, aby o ni nikdo nemohl zakopnout.

– v bezprostřední blízkosti vhodné zásuvky.

Elektrická zásuvka se od dobíjecí stanice smí nacházet pouze v takové vzdálenosti, aby mohly být příslušné napájecí kabely připojeny jak k dobíjecí stanici, tak k elektrické síti (napájecí kabel síťového zdroje nesmí být upravován).

Doporučujeme použít zásuvku s přepětovou ochranou.

– bez zdrojů rušení.

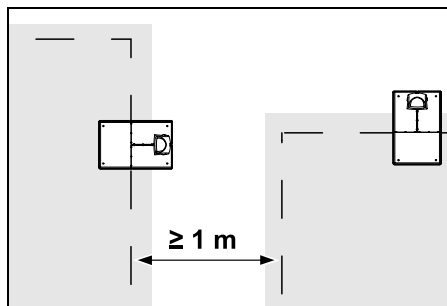
Kovové předměty, oxidy železa nebo magneticky, popř. elektricky vodivé materiály nebo staré uložení omezovacího drátu mohou provoz sekačky rušit. Doporučujeme tyto zdroje rušení odstranit.

– vodorovné a ploché.

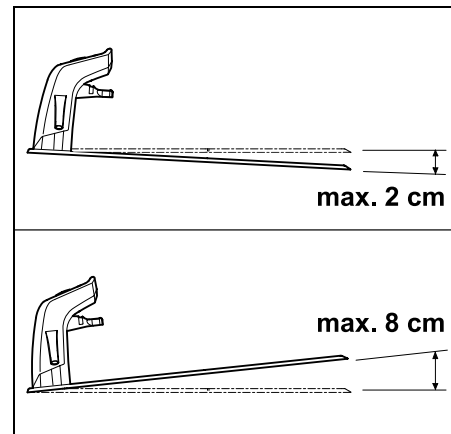
Nerovný podklad výrazně ovlivňuje připojení robotické sekačky k dobíjecí stanici. Je třeba dbát na to, aby podklad pod základovou deskou dobíjecí stanice byl vodorovný a nevykazoval žádné nerovnosti. V případě potřeby podklad srovnajte do roviny.

Přípravná opatření:

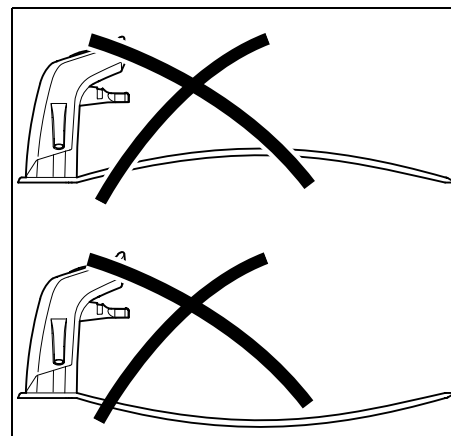
- Před první instalací posečte trávu běžnou sekačkou na trávu (optimální výška trávy je max. 6 cm).
- Pokud je podklad tvrdý a suchý, sečenou plochu mírně pokropte vodou, čímž usnadníte zaražení kolíků.



Sečené plochy se nesmí překrývat. Mezi omezovacími dráty dvou sečených ploch je nutné dodržet minimální vzdálenost $\geq 1\text{ m}$.



Dobíjecí stanice může být nakloněna nanejvýš o 8 cm dozadu a 2 cm dopředu.

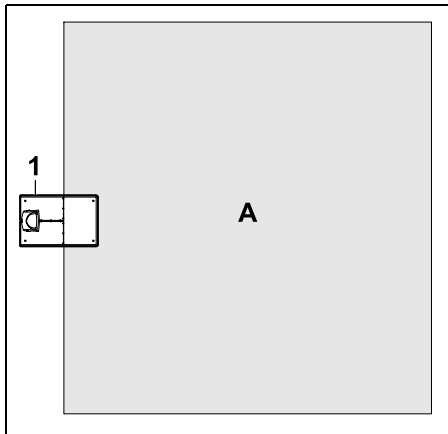


Základovou desku nikdy neprohýbejte. Odstraňte nerovnosti pod základovou deskou, aby mohla celou svojí plochou přilehnout k zemi.

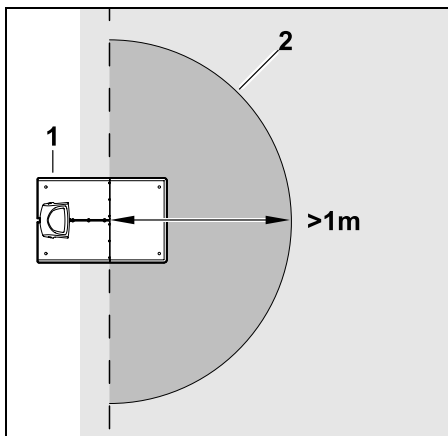
Varianty instalace:

Dobíjecí stanice může být instalována uvnitř i vně sečené plochy.

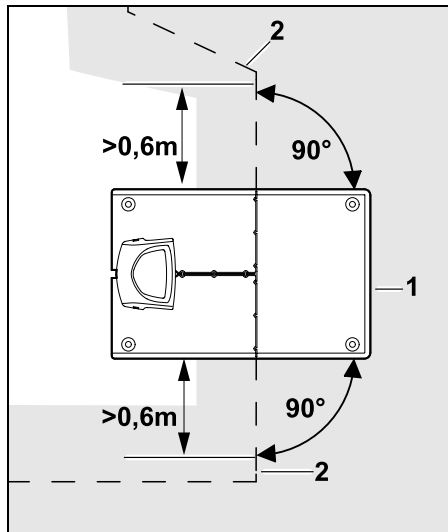
Dobíjecí stanice uvnitř sečené plochy:



Dobíjecí stanice (1) je nainstalována uvnitř sečené plochy (A) přímo u jejího okraje.

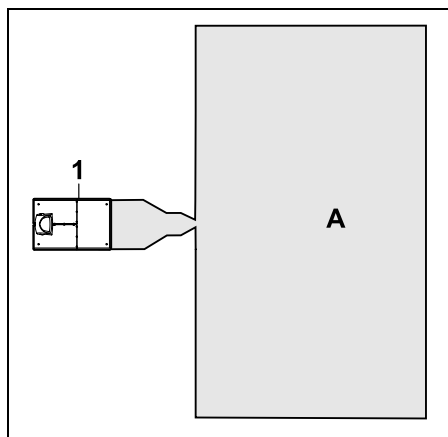


Před dobíjecí stanicí (1) se musí nacházet volná rovná plocha (2) o poloměru nejméně 1 m. V uvedené oblasti odstraňte všechny nerovnosti.



Před a za dobíjecí stanicí (1) vedte omezovací drát (2) rovně a ve vzdálenosti 0,6 m jej uložte v pravém úhlu k základové desce. Poté vymezte omezovacím drátem okraj sečené plochy.

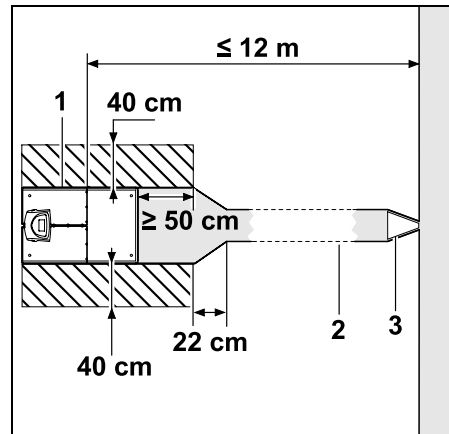
Dobíjecí stanice mimo sečenou plochu:



Dobíjecí stanice (1) je nainstalována mimo sečenou plochu (A).

i Při umístění dobíjecí stanice mimo sečenou plochu je pro funkci odsazení od okraje nutné nainstalovat **vyhledávací smyčku**. (⇒ 12.12)

Požadavky na umístění dobíjecí stanice mimo sečenou plochu:



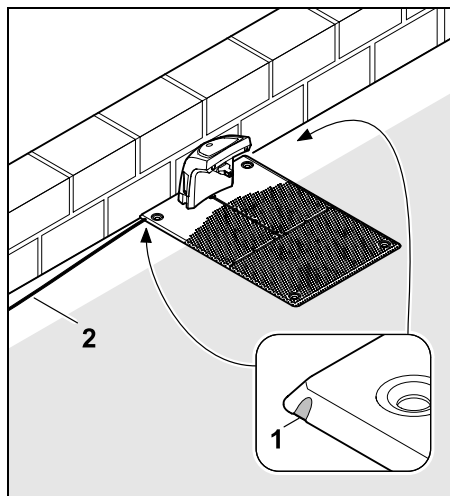
Aby se sekačka mohla k dobíjecí stanici správně připojovat a opět z ní vyjždět, může být dobíjecí stanice (1) nainstalována s úzkým průchodem (2) tak, jak je zobrazeno na obrázku. Oblasti v okolí dobíjecí stanice a mimo omezovací drát musí být rovné a volně sjíždné. V uvedené oblasti odstraňte všechny nerovnosti.

K vytvoření úzkého průchodu (2) použijte šablonu pro úzké průchody (3). (⇒ 12.11)

Minimální vzdálenost od základové desky k začátku úzkého průchodu: ≥ 50 cm

Šířka volné plochy po stranách: 40 cm
Maximální vzdálenost od sečené plochy: ≤ 12 m

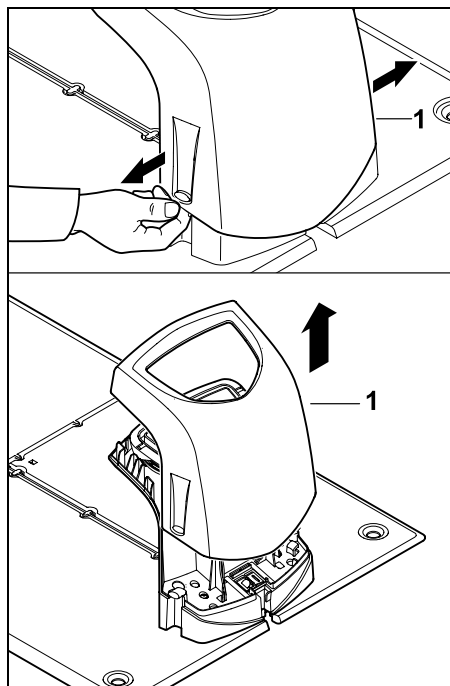
Instalace dobíjecí stanice na stěnu:



Pokud dobíjecí stanici instalujete na stěnu, je nutné na základové desce pomocí kombinovaných kleští vylomit levý nebo pravý můstek (1), aby bylo kudy přivést napájecí kabel (2).

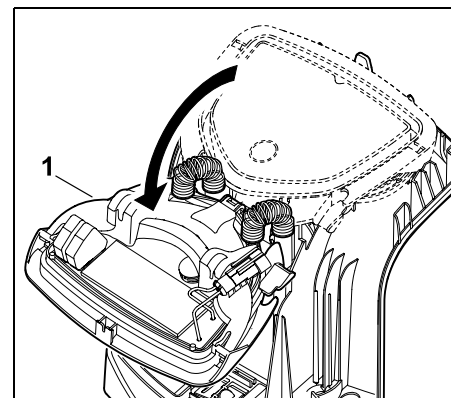
9.2 Přípojky dobíjecí stanice

Sejměte kryt:

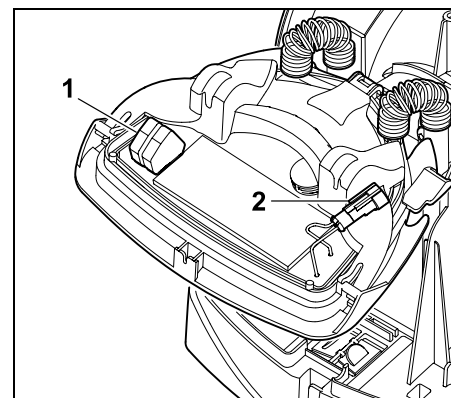


Otáčejte krytem (1) mírně doleva i doprava, jak je znázorněno na obrázku, a přitom jej sejměte pohybem nahoru.

Vyklopení panelu:

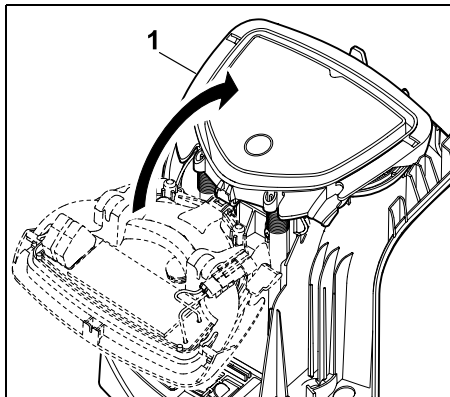


Panel (1) vyklopte směrem dopředu. Panel ve vyklopené poloze přidržíte, jinak jej závěsné pružiny opět samočinně zaklapnou.



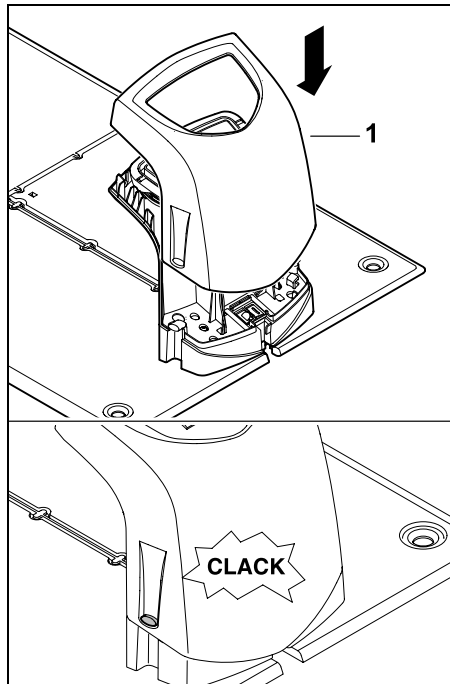
Zavřený panel chrání přípojky pro omezovací drát (1) a napájecí kabel (2) před povětrnostními vlivy.

Zaklapnutí panelu:



Panel (1) zaklapněte směrem dozadu – dejte přitom pozor, abyste nepřiskřípli žádné kabely.

Nasad'te kryt:



Nasad'te kryt (1) na dobíjecí stanici a zacvakněte jej – dejte přitom pozor, abyste nepřiskřípli kabely.

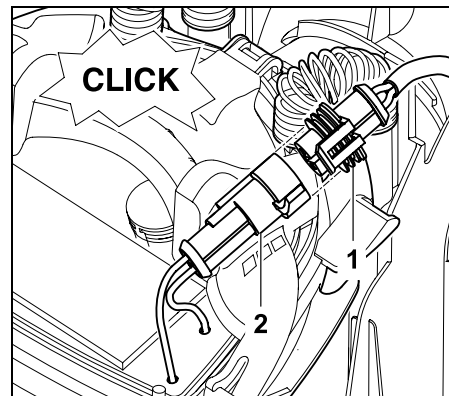
9.3 Připojení napájecího kabelu k dobíjecí stanici



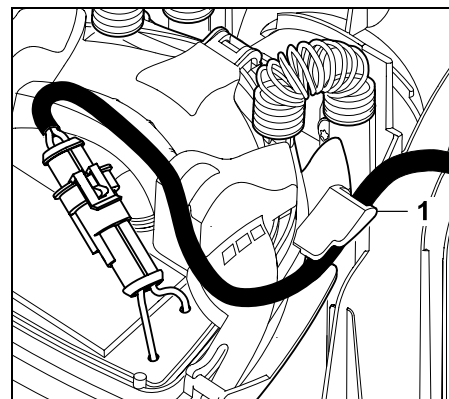
Upozornění:

Konektor i zásuvka musí být čisté.

- Sejměte kryt z dobíjecí stanice a vyklopte panel. (⇒ 9.2)

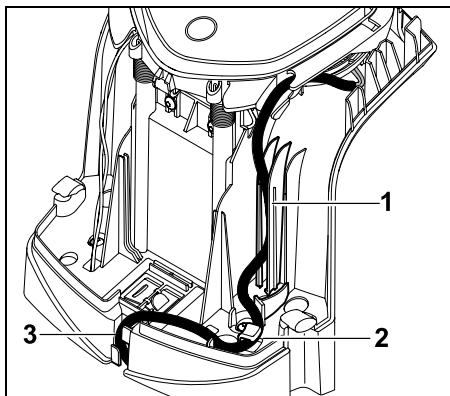


Připojte konektor síťového zdroje (1) ke konektoru dobíjecí stanice (2).



Napájecí kabel provedte skrz vedení kabelu (1) na panelu.

- Zaklapněte panel. (⇒ 9.2)

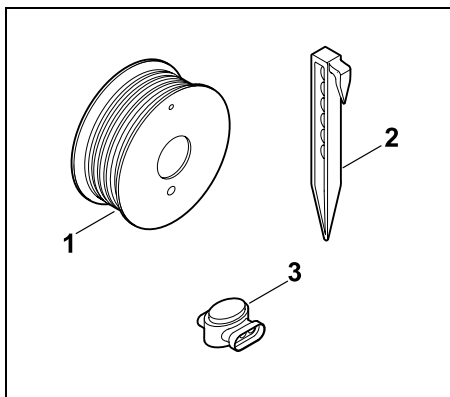


Napájecí kabel zatlačte do vedení kabelu (1) tak, jak je znázorněno na obrázku, a poté jej navedte skrz odlehčení tahu kabelu (2) a kabelový kanál (3) k síťovému zdroji.

- Zavřete kryt dobíjecí stanice. (⇒ 9.2)

9.4 Instalační materiál

Pokud omezovací drát není pokládán odborným prodejcem, je k uvedení robotické sekačky do provozu potřeba další instalační materiál, který není součástí dodávky. (⇒ 18.)



Instalační sada obsahuje omezovací drát na roli (1), kolíky (2) a elektrické konektory (3). Instalační sada může obsahovat ještě další součásti, které jsou k instalaci potřeba.

9.5 Nastavení výšky sečení

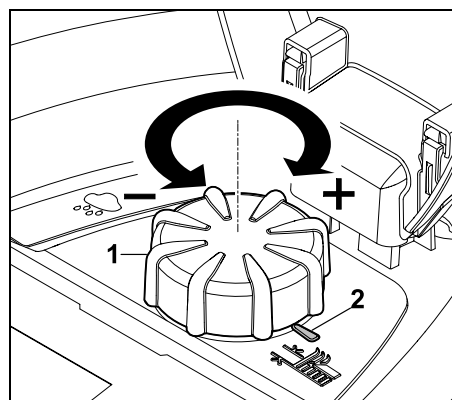
i V prvních týdnech nastavte výšku sečení minimálně na **stupeň 4**, a to na tak dlouhou dobu, dokud omezovací drát nezaroste trávou, abyste tento omezovací drát nepoškodili a zajistili bezpečný provoz sekačky.

Stupně **S1**, **S2** a **S3** jsou speciální výšky pro velmi rovné travnaté plochy (nerovnosti terénu < +/- 1 cm).

Nejmenší výška sečení:
stupeň S1 (20 mm)

Největší výška sečení:
stupeň 8 (60 mm)

– Otevřete kryt. (⇒ 15.2)



Otočte knoflík (1). Značka (2) signalizuje nastavenou výšku sečení.

i Knoflík můžete sejmut z hřídelky směrem nahoru. Tento způsob konstrukce přispívá k vyšší bezpečnosti (je díky němu zaručeno, že stroj nelze zvednout a přenášet za knoflík) a také slouží jako ochrana proti změně výšky sečení neoprávněnou osobou.

9.6 Pokyny k první instalaci

Při instalaci robotické sekačky postupujte podle pokynů uvedených v instalační příručce. Tento program vás provede celým procesem první instalace, který sestává z:



- nastavení jazyka, data a času,
- instalace dobíjecí stanice,
- uložení omezovacího drátu,
- připojení omezovacího drátu,
- propojení robotické sekačky a dobíjecí stanice,
- kontroly instalace,
- programování robotické sekačky,
- dokončení první instalace.

Robotická sekačka je připravena k použití teprve v okamžiku, kdy jsou provedeny všechny pokyny uvedené v instalační příručce.

i Instalační příručka se znovu aktivuje po resetu (obnově výrobního nastavení). (⇒ 11.17)

Přípravná opatření:

- Před první instalací posečte trávu běžnou sekačkou na trávu (optimální výška trávy je max. 6 cm).

- Pokud je podklad tvrdý a suchý, sečenou plochu mírně pokropte vodou, čímž usnadníte zaražení kolíků.
- Robotická sekačka musí být aktivována odborným prodejcem STIHL a přiřazena k e-mailové adrese majitele. (⇒ 10.)

i Při procházení menu dodržujte pokyny popsané v úvodu kapitoly „Pokyny pro obsluhu“. (⇒ 11.1)

Čtyřsměrové ovládací tlačítko slouží k volbě možností, položek menu nebo tlačítek.

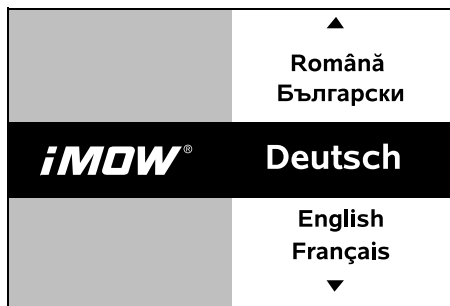
Stisknutím **tlačítka OK** můžete otevřít podnabídku nebo potvrdit volbu.

Stisknutím **tlačítka Zpět** opustíte aktivní nabídku nebo přejdete v instalační příručce o jeden krok zpět.

Pokud dojde při první instalaci k chybě nebo závadě, zobrazí se na displeji odpovídající hlášení. (⇒ 24.)

9.7 Nastavení jazyka, data a času

- Stisknutím libovolného tlačítka na displeji aktivujete stroj a spusťte instalační příručku.

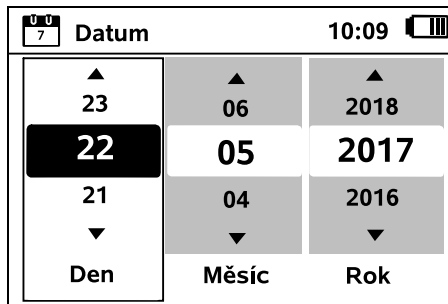


Zvolte požadovaný jazyk displeje a volbu potvrďte stisknutím tlačítka OK.

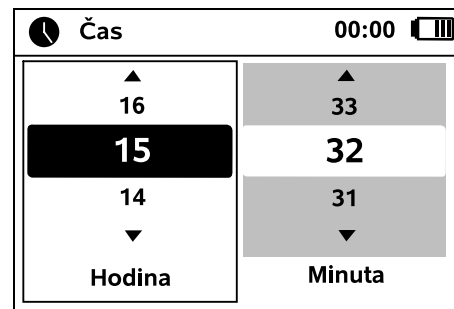


Zvolený jazyk potvrďte stisknutím tlačítka OK nebo zvolte možnost „Změnit“ a vyberte nový jazyk.

- V případě potřeby zadejte 9místné sériové číslo robotické sekačky. Sériové číslo je vytištěno na typovém štítku (viz popis stroje). (⇒ 3.)



Pomocí čtyřsměrového ovládacího tlačítka nastavte aktuální datum a hodnotu potvrďte stisknutím tlačítka OK.



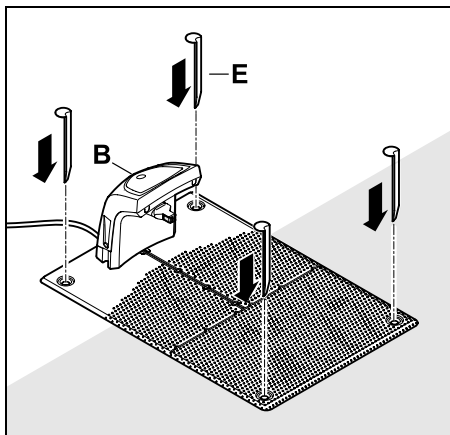
Nastavte aktuální čas pomocí čtyřsměrového ovládacího tlačítka a potvrďte jej stisknutím tlačítka OK.

9.8 Instalace dobíjecí stanice

i Dodržujte pokyny uvedené v kapitolách „Pokyny k dobíjecí stanici“ (⇒ 9.1) a v příkladech pro instalaci (⇒ 27.) uvedených v tomto návodu k použití.



- K dobíjecí stanici připojte napájecí kabel. (⇒ 9.3)
- Pokud dobíjecí stanici instalujete na stěnu, položte napájecí kabel pod základovou desku. (⇒ 9.1)



i Upozornění:
Kolíky zatlačte do země tak, aby se základová deska dobíjecí stanice neprohýbala.

Dobíjecí stanici (B) zajistěte na požadovaném stanovišti čtyřmi skobami (E).

- Síťový zdroj nainstalujte mimo sečenou plochu tak, aby byl chráněn před přímým slunečním zářením, vlhkostí a mokrem – v případě potřeby jej můžete upevnit na zeď.

! Řádnou funkci síťového zdroje lze zaručit pouze při **teplotě okolí** v rozsahu **0 °C až 40 °C**.

- Všechny napájecí kabely vedte mimo sečenou plochu tak, aby byly mimo pracovní dosah žacího nože, a připevněte je k zemi nebo je uložte do kabelového kanálu.
- V blízkosti dobíjecí stanice vedte napájecí kabely tak, aby bylo zamezeno rušení signálu drátu.
- Připojte síťový konektor.

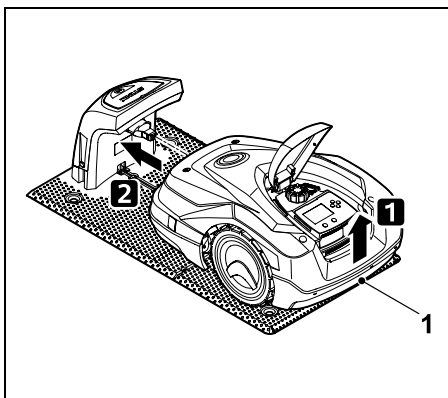
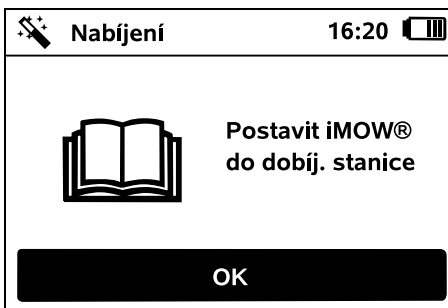
i V případě, že k dobíjecí stanici není připojen omezovací drát, bude na stanici rychle blikat červená kontrolka. (⇒ 13.1)

- Po ukončení prací stiskněte tlačítko OK.



i **U dobíjecí stanice mimo sečenou plochu:**

Po dokončení první instalace určete alespoň jeden výchozí bod mimo úzký průchod k dobíjecí stanici. Četnost startů by měla být definována tak, aby žádná z 10 etap sečení (0/10) nebyla zahajována u dobíjecí stanice (výchozí bod 0). (⇒ 11.14)



Mírným nadzvednutím robotické sekačky za držadlo pro nošení (1) uvolníte hnací kola. Přesuňte stroj na předních kolech do dobíjecí stanice.

Poté stiskněte tlačítko OK na displeji.



i V případě, že je akumulátor vybitý, zobrazí se po připojení v pravém horním rohu displeje místo symbolu akumulátoru symbol síťového konektoru a akumulátor se bude nabíjet během ukládání omezovacího drátu. (⇒ 15.7)

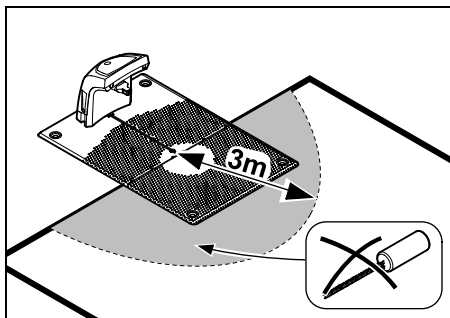


9.9 Uložení omezovacího drátu

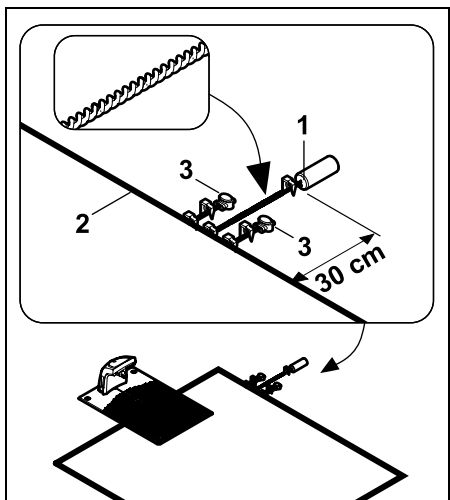
i Před instalací omezovacího drátu si přečtěte všechny pokyny uvedené v kapitole „Omezovací drát“ a dodržujte je. (⇒ 12.)

Naplánujte především **trasu vedení drátu** a při ukládání a instalaci **dodržujte** doporučované rozestupy, **uzavřené plochy**, **pamatujte na rezervy drátu**, **propojovací cestičky**, **vedlejší plochy** a **úzké průchody**.

U malých sečených ploch o délce drátu do 80 m je nutné společně s omezovacím drátem nainstalovat také dodané příslušenství **AKM 100**. V případě malých délek drátu bliká na dobíjecí stanici SOS a není vydán žádný signál drátu.



Instalaci AKM 100 je nutné provést v minimální vzdálenosti 3 m od dobíjecí stanice.



Upevněte AKM 100 (1) upevňovacím kolíkem ve vzdálenosti 30 cm od okraje sečené plochy. Konce drátu spleťte až k sečené ploše a upevněte upevňovacím kolíkem.

Omezovací drát (2) přestříhnete a konce připojíte pomocí elektrických konektorů (3) ke koncům omezovacího drátu AKM 100 (⇒ 12.16). Spojovací kusy vlevo a vpravo upevněte kolíky podle obrázku.

i Používejte pouze originální kolíky a omezovací drát. Instalační sady s potřebným instalačním materiálem jsou k dostání jako příslušenství u odborného prodejce produktů STIHL. (⇒ 18.)

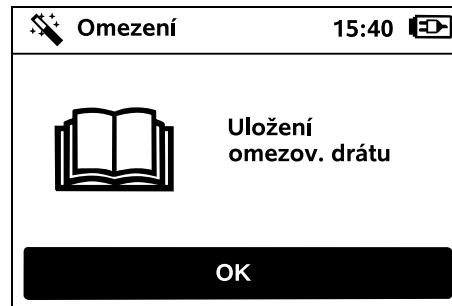
Uložení drátu zakreslete do nákresu zahrady. Co musí náčrtek obsahovat:

- **obrys sečené plochy** s důležitými překážkami, hranicemi a případnými uzavřenými plochami, do nichž robotická sekačka nesmí vjet; (⇒ 27.)
- polohu **dobíjecí stanice** (⇒ 9.1);
- polohu **omezovacího drátu**: Omezovací drát po krátké době zaroste do trávníku a nebude vidět. Do náčrsku zaznamenejte zejména trasu vedení drátu kolem překážek;
- polohu **elektrických konektorů**: Elektrické konektory, které použijete, brzy zarostou a nebudou vidět. Jejich polohu si poznamenejte, abyste je mohli v případě potřeby vyměnit. (⇒ 12.16)

Omezovací drát musí být uložen kolem celé sečené plochy v podobě průběžné smyčky.

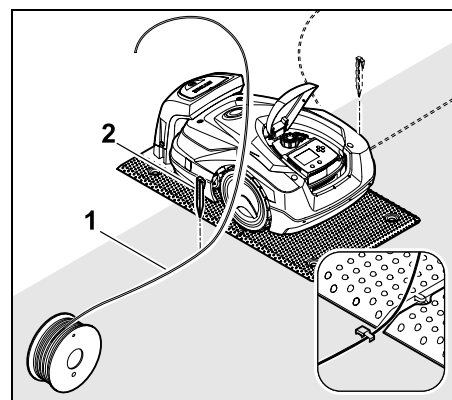
Maximální délka smyčky: **500 m**

i Robotická sekačka se v žádném bodě nesmí vzdálit od omezovacího drátu na více než 17 m, neboť ve větší vzdálenosti není schopna rozpoznat signál drátu.

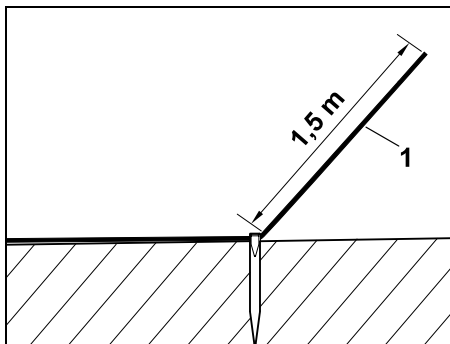


Při pokládání omezovacího drátu začněte od dobíjecí stanice. Existují dva typy dobíjecích stanic: **dobíjecí stanice nacházející se uvnitř sečené plochy** a **dobíjecí stanice nacházející se mimo sečenou plochu**.

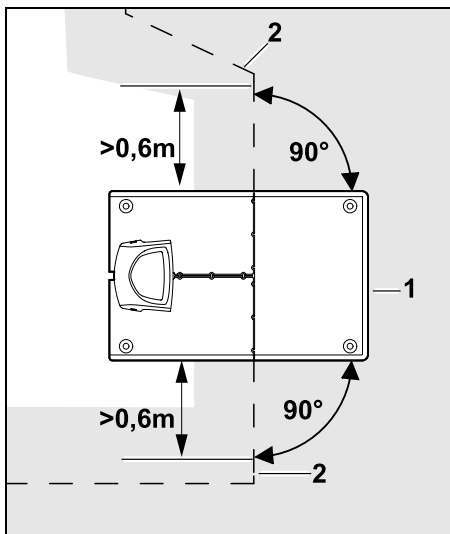
Zahájení u dobíjecí stanice uvnitř sečené plochy:



Omezovací drát (1) připevněte kolíkem (2) k zemi **vlevo** nebo **vpravo** vedle základové desky, přímo u výstupu drátu.



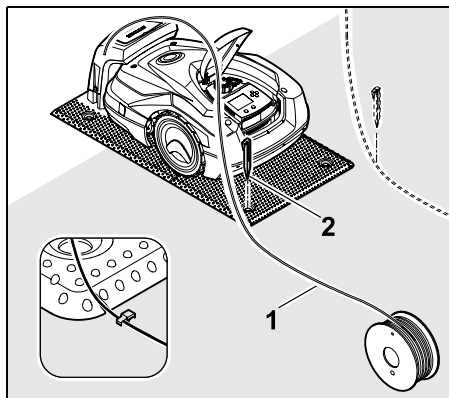
Myslete na to, že vám musí zůstat volný konec drátu (1) o délce přibližně 1,5 m.



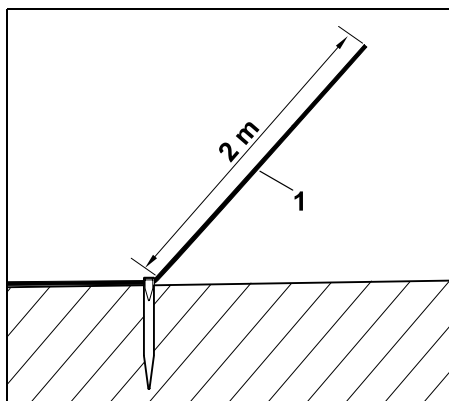
Před a za dobíjecí stanicí (1) vedte omezovací drát (2) rovně a ve vzdálenosti 0,6 m jej uložte v pravém úhlu k základové desce. Poté vymezte omezovacím drátem okraj sečené plochy.

i Pokud budete využívat funkci odsazení od okraje při návratu domů (koridor), je nutné omezovací drát uložit před a za dobíjecí stanicí alespoň 1,5 m rovně a v pravém úhlu k základové desce. (⇒ 11.13)

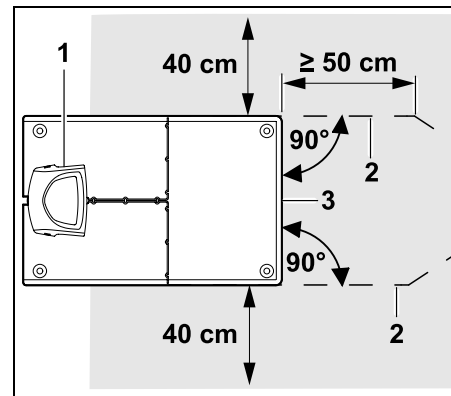
Zahájení u dobíjecí stanice mimo sečenou plochu:



Omezovací drát (1) připevněte kolíkem (2) k zemi **vlevo** nebo **vpravo** za základovou desku, přímo u výstupu drátu.



Pamatujte na to, že vám musí zůstat volný konec drátu (1) o délce přibližně 2 m.

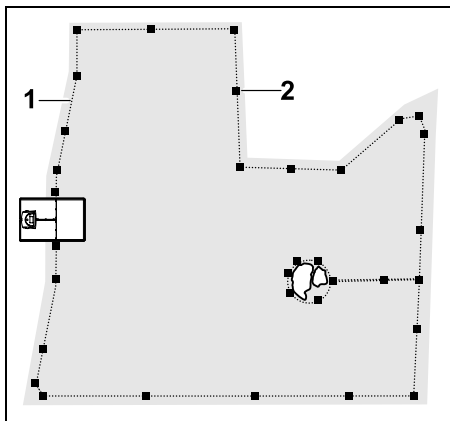


Před a za dobíjecí stanicí (1) uložte omezovací drát (2) ve vzdálenosti 50 cm v pravém úhlu k základové desce. Následně lze vytvořit úzký průchod (⇒ 12.11) nebo omezovacím drátem vymežit okraj sečené plochy.

Po stranách vedle základové desky (3) musí být volně sjízdňná plocha o minimální šířce 40 cm.

i Další informace o instalaci dobíjecí stanice mimo sečenou plochu jsou uvedeny v kapitole s příklady instalace. (⇒ 27.)

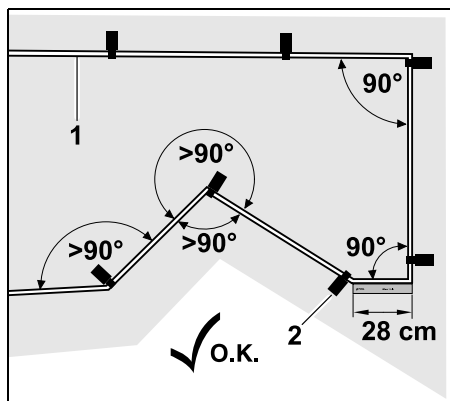
Uložení drátu na sečené ploše:



Omezovací drát (1) uložte po obvodu sečené plochy, vedte jej kolem případných překážek (⇒ 12.9) a kolíky (2) připevněte k zemi. Vzdálenosti kontrolujte pomocí pravítka iMOW®. (⇒ 12.5)

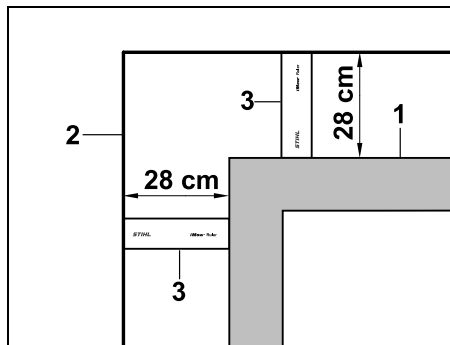


Robotická sekačka se v žádném bodě nesmí vzdálit od omezovacího drátu na více než 17 m, neboť ve větší vzdálenosti není schopna rozpoznat signál drátu.



Drát nepokládejte v ostrých úhlech (menších než 90°). Pokud okraje trávníku vyběhají do špičky, připevněte omezovací drát (1) k zemi kolíky (2) tak, jak je zobrazeno na obrázku (⇒ 12.6).

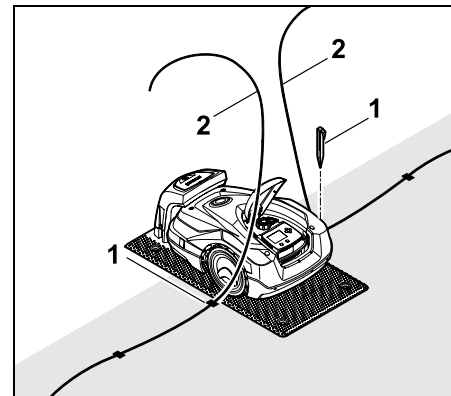
Než provedete instalaci dalšího rohu, musí být za rohem s úhlem 90° omezovací drát uložen rovně alespoň v délce jednoho pravítka iMOW®.



Při pokládání drátu okolo vysokých překážek, jako jsou např. rohy zdí nebo vyvýšené záhony (1), musí být v rozích dodržena vzdálenost drátu, aby robotická sekačka na překážku nenarazila. Omezovací drát (2) uložte pomocí pravítka iMOW® (3), jak je zobrazeno na obrázku.

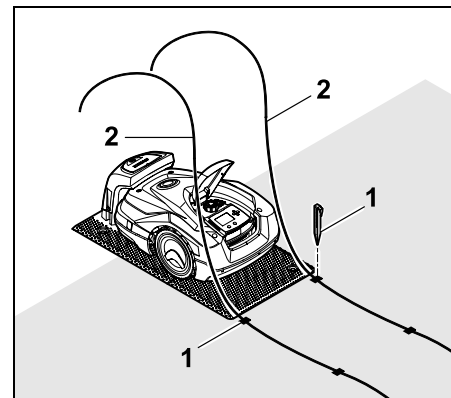
- V případě potřeby můžete délku omezovacího drátu prodloužit pomocí dodaných elektrických konektorů. (⇒ 12.16)
- V případě několika sousedících sečených ploch položte více omezujících drátů pro jednotlivé instalace (⇒ 12.10) nebo sečené plochy propojte úzkými průchody. (⇒ 12.8)

Poslední kolík u dobíjecí stanice uvnitř sečené plochy:



Poslední kolík (1) zarazte do země vlevo nebo vpravo vedle základové desky, přímo u výstupu drátu. Omezovací drát (2) ořízněte tak, aby vám zbyly volné konce přibližně o délce 1,5 m.

Poslední kolík u dobíjecí stanice mimo sečenou plochu:



Poslední kolík (1) zarazte do země vlevo nebo vpravo za základovou deskou, přímo u výstupu drátu. Omezovací drát (2) ořízněte tak, aby vám zbyly volné konce přibližně o délce 2 m.

Dokončení ukládání drátu:

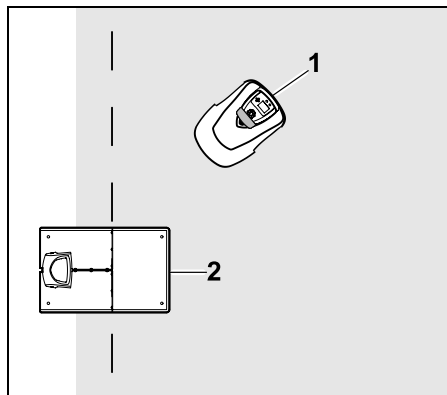
- Zajistěte, aby byl natažený omezovací drát připevněn kolíky k zemi přibližně v metrových rozestupech. Omezovací drát musí vždy spočívat celou svou délkou na ploše trávníku. Kolíky zarazte až na doraz.
- Po ukončení prací stiskněte tlačítko OK.



Pokud není akumulátor dostatečně nabitý, aby mohly být provedeny zbývající kroky instalační příručky, zobrazí se odpovídající hlášení.

V takovém případě nechte robotickou sekačku stát v dobíjecí stanici a pokračujte v nabíjení akumulátoru.

K dalšímu kroku instalační příručky budete moci přejít stisknutím tlačítka OK teprve ve chvíli, když je akumulátor nabitý na požadovanou hodnotu napětí.

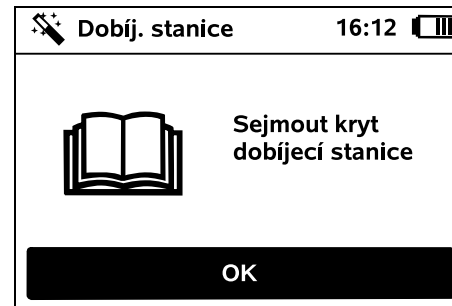


Robotickou sekačku (1) odstavte za dobíjecí stanicí (2) uvnitř sečené plochy, jak je zobrazeno na obrázku, a stiskněte tlačítko OK.

9.10 Připojení omezovacího drátu

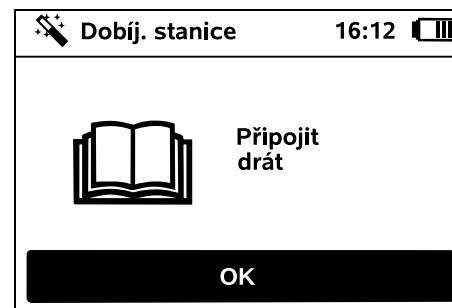


Odpojte konektor síťového zdroje od elektrické sítě a stiskněte tlačítko OK.

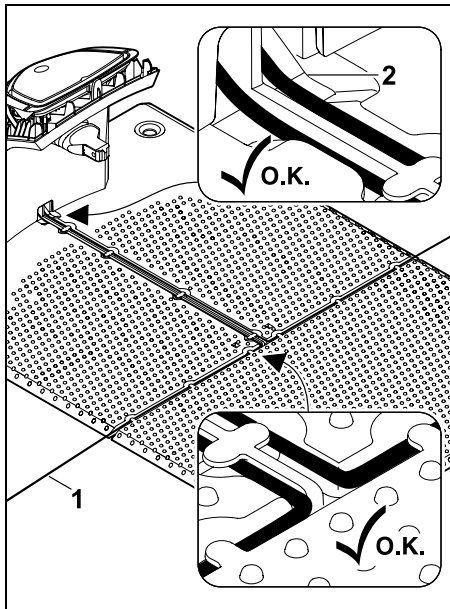


Sejměte kryt. (⇒ 9.2)

Stiskněte tlačítko OK.

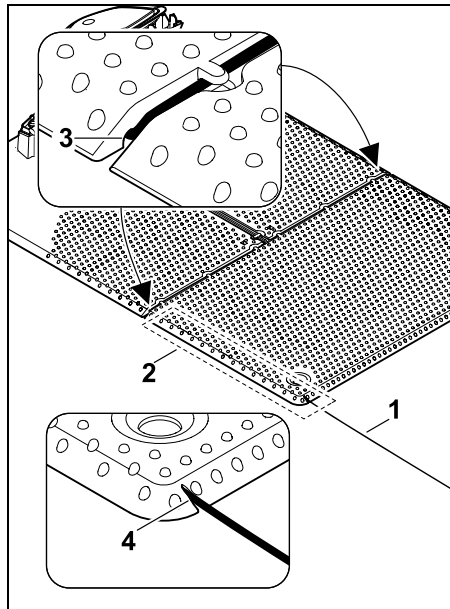


Omezovací drát u dobíjecí stanice uvnitř sečené plochy:

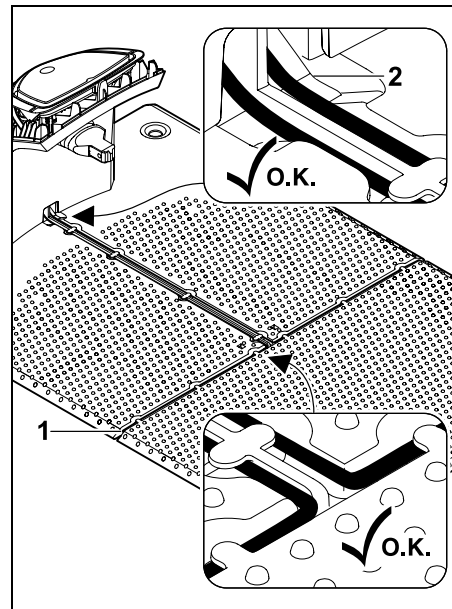


Vložte omezovací drát (1) do vedení kabelů na základové desce a protáhněte jej podstavcem (2).

Omezovací drát u dobíjecí stanice mimo sečenou plochu:



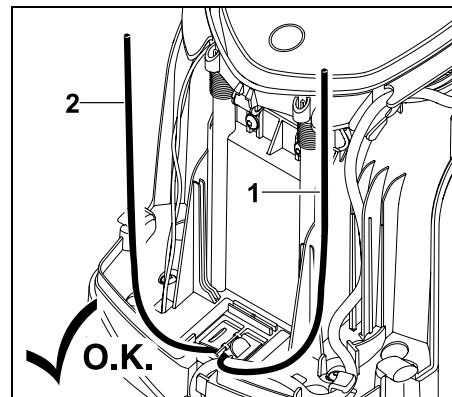
Omezovací drát (1) uložte do prostoru (2) pod základovou deskou. Drát přitom navlečte do výstupů (3, 4) – v případě potřeby uvolněte skoby.



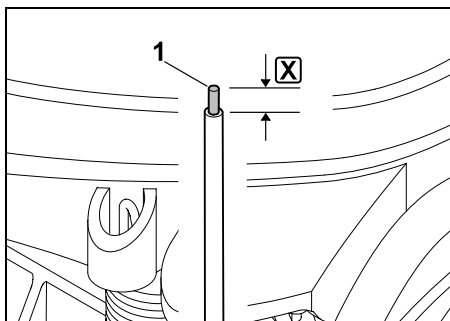
Vložte omezovací drát (1) do vedení kabelů na základové desce a protáhněte jej podstavcem (2).

Připojení omezovacího drátu:

i **Upozornění:**
Dbejte na čistotu kontaktů
(nekorodující, neznečištěné...).

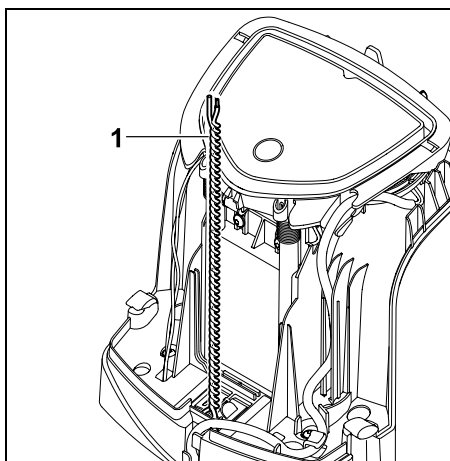


Levý konec drátu (1) a pravý konec drátu (2) zkraťte na stejnou délku. Délka od výstupu drátu ke konci drátu: **40 cm**



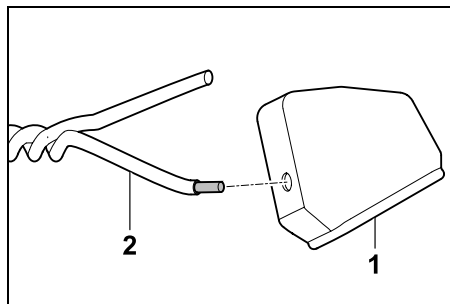
Pomocí vhodného nástroje odizolujte levý konec drátu (1) na předepsanou délku **X** a spleťte lanka drátu.

X = 10-12 mm

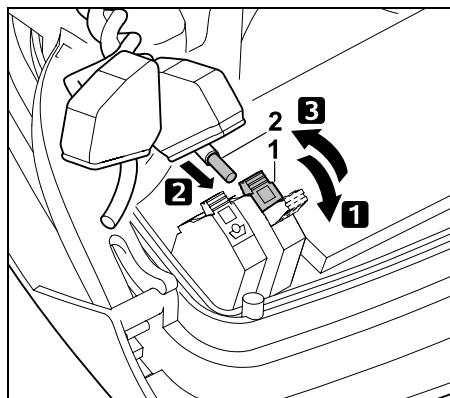


Volné konce drátu (1) spleťte dohromady tak, jak je znázorněno na obrázku.

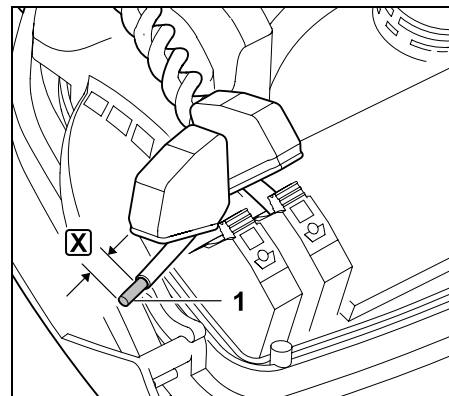
- Vyklopte panel a podržte jej. (⇒ 9.2)



Navlékněte průchodky (1) na oba konce drátu (2).

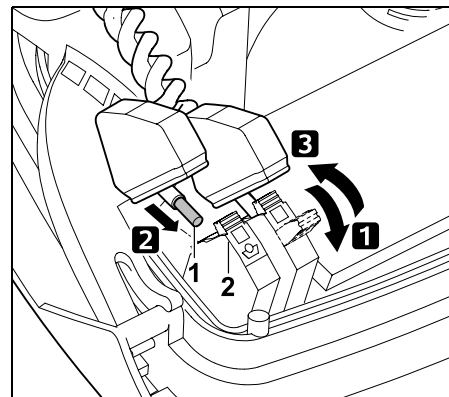


- 1** Vyklopte levou upínací páčku (1).
- 2** Odizolovaný konec drátu (2) zasuňte až na doraz do svorkovnice.
- 3** Zavřete upínací páčku (1).

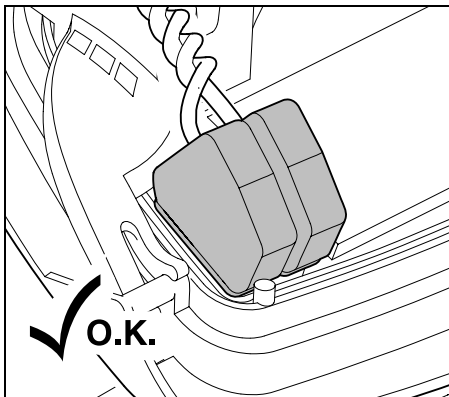


Pomocí vhodného nástroje odizolujte pravý konec drátu (1) na předepsanou délku **X** a spleťte lanka drátu.

X = 10-12 mm



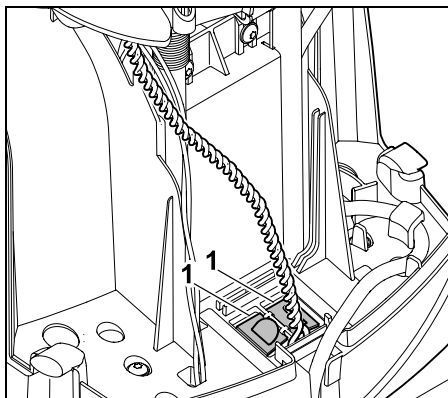
- 1** Vyklopte pravou upínací páčku (1).
- 2** Odizolovaný konec drátu (2) zasuňte až na doraz do svorkovnice.
- 3** Zavřete upínací páčku (1).



Navlečte průchodky na svorkovnice.

Zkontrolujte uchycení konců drátu ve svorkovnici: Oba konce drátu musí být pevně přichycené.

- Zaklapněte panel. (⇒ 9.2)



Zavřete kryt kabelového kanálu (1).

- Po ukončení prací stiskněte tlačítko OK.

OK



Namontujte kryt. (⇒ 9.2)

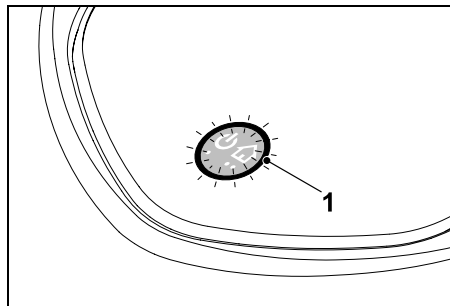
Stiskněte tlačítko OK.

OK



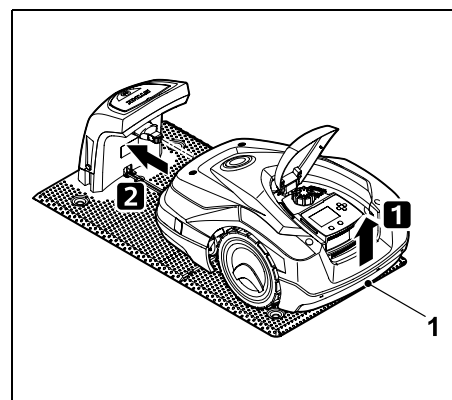
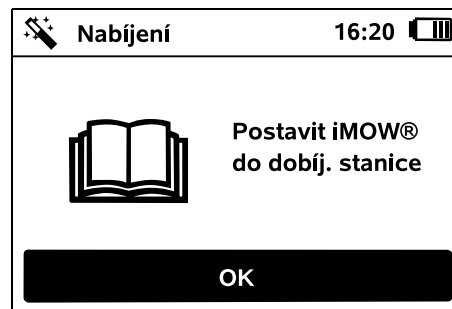
Zapojte konektor síťového zdroje do elektrické sítě a stiskněte tlačítko OK.

OK



Pokud je omezovací drát správně nainstalován a dobíjecí stanice je připojena k elektrické síti, rozsvítí se kontrolka (1).

- Dodržujte pokyny uvedené v kapitole „Ovládací prvky dobíjecí stanice“, zejména v případě, že se kontrolka nerozsvítí. (⇒ 9.2)



Mírným nadzvednutím robotické sekačky za držadlo pro nošení (1) uvolníte hnací kola. Přesuňte stroj na předních kolech do dobíjecí stanice.

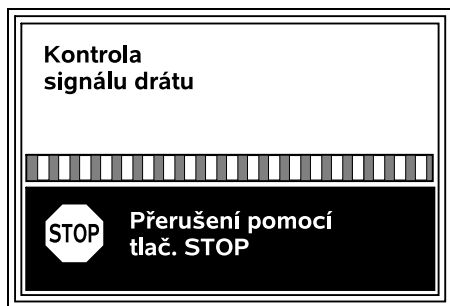
Poté stiskněte tlačítko OK na displeji.

OK

i V případě, že je akumulátor vybitý, zobrazí se po připojení v pravém horním rohu displeje místo symbolu akumulátoru symbol síťového konektoru a akumulátor se bude nabíjet během ukládání omezovacího drátu. (⇒ 15.7)

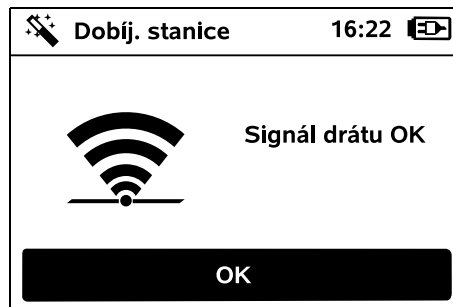
9.11 Propojení robotické sekačky a dobíjecí stanice

i Robotickou sekačku je možné uvést do provozu teprve tehdy, když správně přijímá signál drátu vysílaný z dobíjecí stanice. (⇒ 11.16)



Kontrola signálu drátu může trvat několik minut. Proces propojení přerušíte stisknutím červeného tlačítka STOP na horní straně stroje. Vyvolá se předchozí krok instalační příručky.

Běžný příjem



Signál drátu OK:

Na displeji se zobrazí text „Signál drátu OK“. Robotická sekačka je správně propojena s dobíjecí stanicí.



Pokračujte v instalaci stisknutím tlačítka OK.



i Po úspěšném propojení se aktivuje energ. režim „Standardní“. (⇒ 11.10)

Rušení příjem

Robotická sekačka nepřijímá **žádný signál drátu**: Na displeji se zobrazí text „Žádný signál drátu“.



Robotická sekačka přijímá **rušený signál drátu**: Na displeji se zobrazí text „Zkontrolovat signál drátu“.



Robotická sekačka přijímá **signál drátu s přepólovanou fází**:

Na displeji se zobrazí text „Připojení vyměněno nebo iMOW® mimo“.



Možná příčina:

- Dočasná porucha

- Robotická sekačka se nenachází v dobíjecí stanici.
- Omezovací drát je připojen s přepólovanou fází (obráceně).
- Dobíjecí stanice je vypnutá, případně není připojena k elektrické síti.
- Chybné připojení konektorů
- Nedosažena minimální délka omezovacího drátu
- V blízkosti dobíjecí stanice se nachází navinutý síťový kabel.
- Konce omezovacího drátu jsou příliš dlouhé nebo nejsou dostatečně spletené.
- Přerušení omezovacího drátu
- Rušení jinými signály, např. mobilního telefonu nebo jiné dobíjecí stanice
- Podzemní elektrické kabely, železobeton nebo rušivé kovové předměty v půdě pod dobíjecí stanicí
- Překročena maximální délka omezovacího drátu (⇒ 12.1)

Jak odstranit problém:

- Bez dalších opatření zopakujte pokus o připojení.
- Připojte robotickou sekačku k dobíjecí stanici (⇒ 15.6).
- Připojte správně konce omezovacího drátu (⇒ 9.10).
- Zkontrolujte připojení dobíjecí stanice k síti a odviňte síťový kabel z blízkosti dobíjecí stanice, případně jej odložte nenavinutý.
- Zkontrolujte uchycení konců drátu ve svorkovnici; příliš dlouhé konce drátu zkraťte, případně konce drátu spleťte dohromady (⇒ 9.10).

- U malých sečených ploch o délce drátu do 80 m je nutné společně s omezovacím drátem nainstalovat také dodané příslušenství AKM 100 (⇒ 9.9).
- Zkontrolujte kontrolku na dobíjecí stanici (⇒ 13.1).
- Opravte přerušovaný drát.
- Vypněte mobilní telefon nebo blízkou dobíjecí stanici.
- Změňte polohu dobíjecí stanice, případně odstraňte zdroje rušení pod dobíjecí stanici.
- Použijte omezovací drát s větším průřezem (zvláštní příslušenství).

Po provedení příslušných opatření stisknutím tlačítka OK zopakujte pokus o připojení.

OK

i Pokud nelze správně přijímat signál drátu a popsaná opatření nevedou k vyřešení problému, kontaktujte odborného prodejce.

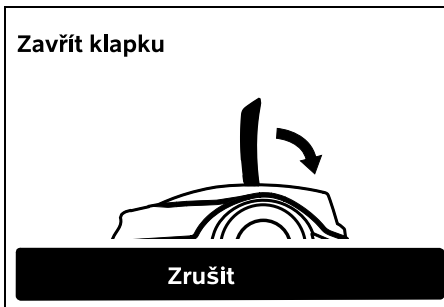
9.12 Kontrola instalace



Objíždění okraje spustíte stisknutím tlačítka OK – žací nůž nebude aktivován.

OK

i Robotická sekačka objede za provozu po první instalaci okraj sečené plochy střídavě v obou směrech. Proto je nutné při první instalaci ověřit objíždění okraje rovněž v obou směrech.



Zavřete kryt robotické sekačky. (⇒ 15.2)
Teprve po zavření krytu se robotická sekačka samočinně spustí a objede okraj podél omezovacího drátu.

i Prostřednictvím objíždění okraje bude definována **domovská oblast** robotické sekačky. (⇒ 14.5)

V případě, že robotická sekačka před spuštěním objíždění okraje nepřijímá signál GPS, zobrazí se na displeji text „Čekání na GPS“. Nebude-li přijat žádný signál GPS, robotická sekačka přesto po několika minutách zahájí objíždění okraje. Abyste mohli používat ochranu GPS, je nutné později spustit funkci „Test okraje“ (⇒ 11.13), jinak nebude definována domovská oblast.



Při objíždění okraje jděte za robotickou sekačkou a dbejte na to, aby

- objížděla okraj sečené plochy podle plánu,
- byly vzdálenosti od překážek a hranic sečené plochy rovnoměrné,
- do dobíjecí stanice zajížděla a vyjížděla správně.

Na displeji se zobrazí ujetá vzdálenost – tento údaj v metrech je nutný pro nastavení **výchozích bodů** na okraji sečené plochy. (⇒ 11.14)

- Na požadovaném místě odečtěte zobrazenou hodnotu a poznamenejte si ji. Výchozí bod nastavte ručně po první instalaci.


Proces objíždění okraje se automaticky přeruší kontaktem s překážkou nebo najetím do svahu s příliš velkým sklonem, případně jej můžete přerušit ručně stisknutím tlačítka STOP.

- Pokud bylo objíždění okraje přerušeno automaticky, upravte polohu omezovacího drátu nebo odstraňte překážky.

- Než bude robotická sekačka pokračovat v objíždění okraje, zkontrolujte její polohu. Stroj se musí nacházet nad omezovacím drátem nebo uvnitř sečené plochy tak, aby jeho přední strana směřovala k omezovacímu drátu.

Pokračování po přerušení:

Po přerušení pokračujte v objíždění okraje stisknutím tlačítka **OK**.

 Společnost STIHL doporučuje objíždění okraje nepřerušovat. Při objíždění okraje sečené plochy nebo při připojení stroje k dobíjecí stanici se může stát, že nebudou odhaleny případné problémy.

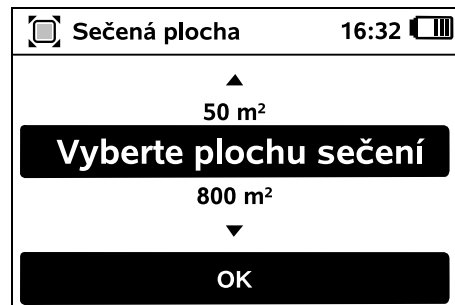
Objíždění okraje lze případně spustit po první instalaci znovu. (⇒ 11.13)

Po prvním kompletním okruhu kolem sečené plochy se robotická sekačka vrátí do dobíjecí stanice. Poté se zobrazí dotaz, zda má být spuštěn druhý okruh, tentokrát v opačném směru.


Automatické ukončení objíždění okraje:

Po připojení stroje k dobíjecí stanici se po absolvování druhého celého okruhu, příp. při odmítnutí objíždění okraje v protisměru zobrazí další krok instalační příručky.

9.13 Programování robotické sekačky

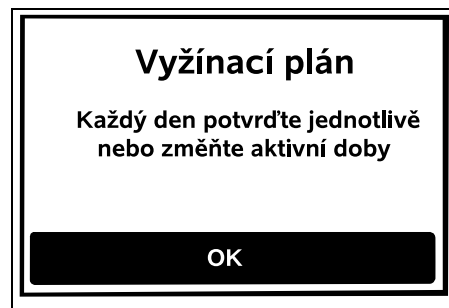


Zadejte velikost plochy trávníku a hodnotu potvrďte stisknutím tlačítka **OK**.

 Uzavřené plochy a vedlejší plochy se do velikosti sečené plochy nezapočítávají.



Výpočet nového vyžínacího plánu. Proces můžete přerušit stisknutím červeného tlačítka **STOP** na horní straně stroje.





Upozornění „Každý den potvrďte jednotlivě nebo změňte aktivní doby“ potvrďte stisknutím tlačítka **OK**.





Zobrazí se aktivní doby pro pondělí a aktivuje se položka nabídky **Potvrdit aktivní doby**.

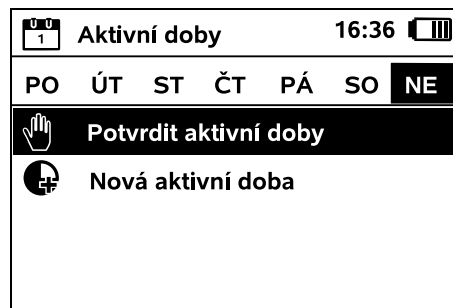
Stisknutím tlačítka **OK** potvrďte všechny aktivní doby. Zobrazí se následující den.


 Pokud je sečená plocha malá, nebude sečení probíhat všechny dny v týdnu. V takovém případě se nezobrazí aktivní doby a zmizí položka nabídky „Vymazat všechny akt. doby“. Dny bez stanovených aktivních dob je třeba rovněž potvrdit tlačítkem **OK**.

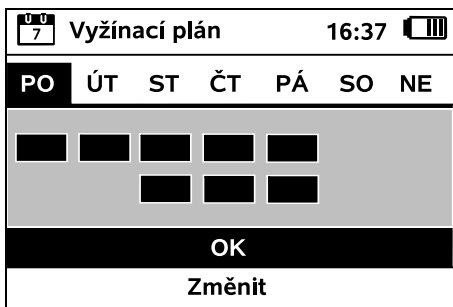
Zobrazené **aktivní doby** můžete změnit. Zvolte požadované časové rozmezí pomocí čtyřsměrového ovládacího tlačítka a otevřete je stisknutím tlačítka OK. (⇒ 14.3) 


Pokud chcete stanovit další aktivní doby, zvolte položku nabídky **Nová aktivní doba** a stisknutím tlačítka OK ji otevřete. V okně s možnostmi výběru stanovte začátek a konec nové aktivní doby a údaje potvrďte stisknutím tlačítka OK. Pro jeden den můžete stanovit až tři aktivní doby. 

Pokud chcete vymazat všechny zobrazené aktivní doby, zvolte položku nabídky **Vymazat všechny akt. doby** a volbu potvrďte stisknutím tlačítka OK. 




Po potvrzení nedělních aktivních dob se zobrazí vyžínací plán. 




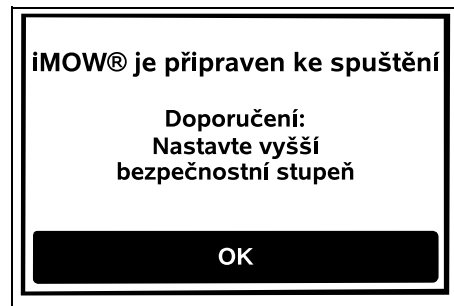
Zobrazený vyžínací plán potvrďte stisknutím tlačítka OK. Zobrazí se závěrečný krok instalační příručky. 


Pokud budete chtít provést změny, zvolte možnost **Změnit** a upravte jednotlivé aktivní doby.


 Zajistěte, aby v aktivních dobách nevstupovaly do oblastí pracovní zóny nepovolané osoby. Aktivní doby odpovídajícím způsobem upravte. Dodržujte místní platná nařízení upravující používání robotických sekaček a pokyny uvedené v kapitole „Pro vaši bezpečnost“ (⇒ 6.) a stanovené aktivní doby v případě potřeby ihned nebo po dokončení první instalace upravte v nabídce „Vyžínací plán“. (⇒ 11.7) Zejména si u příslušného úřadu zjistěte, v jaké denní a noční době můžete stroj používat.

9.14 Dokončení první instalace

 Odstraňte ze sečené plochy všechna cizí tělesa (např. hračky, nářadí).



První instalaci dokončete stisknutím tlačítka OK. 


 Po dokončení první instalace se aktivuje bezpečnostní stupeň „Žádný“.

Doporučení:

Nastavte bezpečnostní stupeň „Nízký“, „Střední“ nebo „Vysoký“. Tím je zaručeno, že neoprávněná osoba nemůže měnit nastavení a robotickou sekačku není možné používat spolu s jinou dobíjecí stanicí. (⇒ 11.16) Mimoto aktivujte funkci ochrany GPS. (⇒ 5.9)

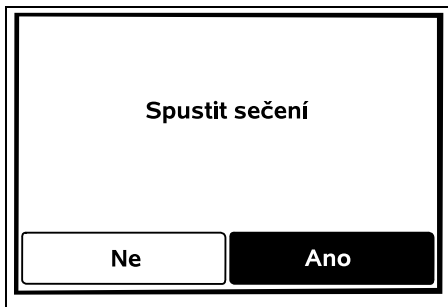


Aby bylo možné využívat všechny funkce robotické sekačky, je nutné mít v chytrém telefonu nebo tabletu s internetovým připojením a přijímačem GPS nainstalovanou a spuštěnou **aplikaci iMOW®**. (⇒ 10.)

Dialogové okno zavřete stisknutím tlačítka OK. 

9.15 První proces sečení po první instalaci

Pokud okamžik dokončení první instalace spadá do stanovené aktivní doby, začne robotická sekačka ihned sekat určenou plochu.




Pokud okamžik dokončení první instalace nespadá do stanovené aktivní doby, můžete spustit proces sečení trávy stisknutím tlačítka OK. Pokud nechcete, aby robotická sekačka začala sekat trávnik, zvolte možnost „Ne“.


OK

10. Aplikace iMOW®

Robotickou sekačku lze ovládat pomocí aplikace iMOW®.

Aplikace je dostupná pro nejběžnější operační systémy v příslušných obchodech s aplikacemi.

 Bližší informace najdete na webové stránce web.imow.stihl.com/systems/.


 Předpisy v kapitole „Pro vaši bezpečnost“ platí především také pro všechny uživatele aplikace iMOW®. (⇒ 6.)

Aktivace:

Abyste aplikaci a robotickou sekačku mohli vyměnit data, je nutné, aby odborný prodejce aktivoval stroj společně s e-mailovou adresou majitele. Na e-mailovou adresu bude odeslán odkaz k aktivaci.

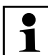
Aplikace iMOW® by měla být nainstalována na chytrém telefonu nebo tabletu s připojením k internetu

a přijímačem GPS. Příjemce e-mailu bude stanoven jako administrátor a hlavní uživatel aplikace, má plný přístup ke všem funkcím.

 E-mailovou adresu a heslo bezpečně uschovejte, aby mohla být aplikace iMOW® po výměně chytrého telefonu nebo tabletu znovu nainstalována (např. v případě ztráty mobilního komunikačního zařízení).

Tok dat:

Přenos dat z robotické sekačky na internet (služba M2M) je zahrnut v kupní ceně. Přenos dat neprobíhá permanentně, a proto může trvat několik minut. Z důvodu předávání dat na internet prostřednictvím aplikace vznikají v závislosti na vaší smlouvě s mobilním operátorem nebo poskytovatelem internetu náklady, které nesete vy sami.

 Bez připojení mobilního telefonu a aplikace je ochrana GPS k dispozici pouze bez oznámení prostřednictvím e-mailu a SMS a bez oken s oznámením.

Hlavní funkce aplikace:

- prohlížení a upravování vyžínacího plánu,
- spouštění sečení,
- zapínání a vypínání automatiky,
- posílání robotické sekačky do dobíjecí stanice,
- změna data a času.

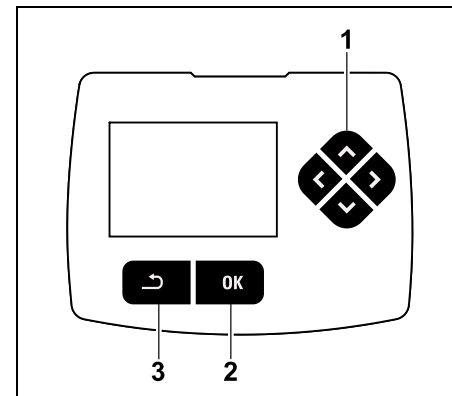


Změna vyžínacího plánu, zahájení etapy sečení, zapnutí a vypnutí automatiky, posílání robotické sekačky do domovské oblasti a změna data a času mohou vést k aktivitám, které jiné osoby nebudou očekávat. Osoby, kterých se to týká, je proto nutné vždy předem informovat o možných aktivitách robotické sekačky.

- Zobrazení informací o stroji a stanovišti robotické sekačky.

11. Menu

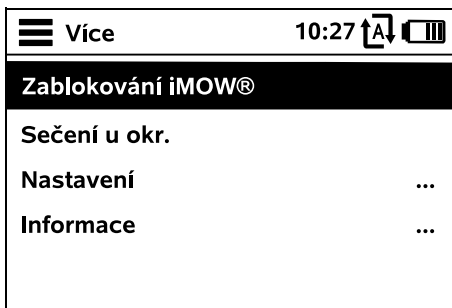
11.1 Pokyny k obsluze



Čtyři směrová tlačítka tvoří ovládací kříž (1). Ten slouží k procházení nabídek a tlačítko OK (2) slouží k potvrzení nastavení a otevírání nabídek. Stisknutím tlačítka Zpět (3) můžete nabídku opustit.



Hlavní menu zahrnuje 4 podnabídky, které mají podobu tlačítek. Aktuálně zvolená podnabídka je zobrazena na černém pozadí a můžete ji otevřít stisknutím tlačítka OK.



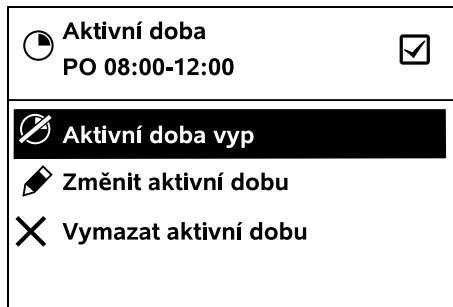
Druhá úroveň nabídky se zobrazí jako seznam. Podnabídky lze vybírat stisknutím čtyřsměrového ovládacího tlačítka nahoru resp. dolů. Aktivní položky nabídky jsou zvýrazněny černě.

Posuvník u pravého okraje displeje signalizuje, že stisknutím dolní nebo horní části čtyřsměrového ovládacího tlačítka můžete zobrazit další položky.

Podnabídky otevřete stisknutím tlačítka OK.

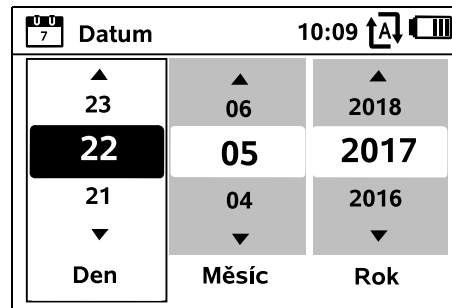


Podnabídky „Nastavení“ a „Informace“ jsou zobrazeny jako záložky. Záložky můžete zvolit stisknutím levé nebo pravé části čtyřsměrového ovládacího tlačítka a podnabídky zvolíte stisknutím dolní nebo horní části čtyřsměrového tlačítka. Aktuálně zvolené záložky nebo položky nabídky jsou zobrazeny na černém pozadí.



Podnabídky obsahují seznam dostupných možností. Aktuálně zvolené položky seznamu jsou zobrazeny na černém pozadí. Stisknutím tlačítka OK se otevře okno s možnostmi výběru nebo dialogové okno.

Okno s možnostmi výběru:



Seřizovací hodnoty lze měnit čtyřsměrovým ovládacím tlačítkem. Aktuálně zvolená hodnota je zobrazena na černém pozadí. Stisknutím tlačítka OK potvrdíte všechny hodnoty.

Dialogové okno:






Pokud je třeba uložit provedené změny nebo potvrdit hlášení, zobrazí se na displeji dialogové okno. Aktuálně zvolené tlačítko se zobrazí na černém pozadí.

Pokud je k dispozici možnost volby, můžete na požadované tlačítko přejít stisknutím pravé nebo levé části čtyřsměrového ovládacího tlačítka.



Aktuálně zvolenou možnost potvrdíte stisknutím tlačítka OK a přejdete na vyšší úroveň nabídky.

11.2 Indikátor stavu

 20.06.2019 14:10	 Čas spuštění PO 10:00
 iMOW® připraven k prov. Automatika zapnuta	

Indikátor stavu se zobrazí, když


- stisknutím tlačítka ukončíte pohotovostní režim robotické sekačky,
- v hlavním menu stisknete tlačítko Zpět
- za provozu.

 20.06.2019 14:10	 Čas spuštění PO 10:00
--	---

V horní oblasti indikátoru se nacházejí dvě konfigurovatelná pole, kde se mohou zobrazit různé informace o robotické sekačce nebo etapách sečení. (⇒ 11.12)


Informace o stavu bez probíhající činnosti:


 RMI 522 C iMOW® připraven k prov. Automatika zapnuta Ochrana GPS Zap

V dolní oblasti indikátoru se zobrazí název robotické sekačky (⇒ 10.), text „iMOW® připraven k prov.“ společně se zobrazeným symbolem, stavem automatiky (⇒ 15.4) a informacemi o ochraně GPS (⇒ 5.9). 


Informace o stavu během probíhající činnosti:


 iMOW® seče trávník


Během probíhající **etapy sečení** se na displeji zobrazí text „iMOW® seče trávník“ a odpovídající symbol.  Textová informace a symbol se mění podle procesu, který je právě aktivní.


 Pozor iMOW® se spouští


Před zahájením etapy sečení se zobrazí text „Pozor – iMOW® se spouští“ a varovný symbol.

 Kromě toho na start žacího motoru upozorňuje blikající podsvícení displeje a výstražný tón. Žací nůž se aktivuje teprve několik sekund poté, co se robotická sekačka rozjede.


Sečení u okr.:

Po dobu, během které robotická sekačka upravuje okraj sečené plochy, je na displeji zobrazen text „Okraj se seče“ 


Jet do dobíjecí stanice:

Při návratu robotické sekačky do dobíjecí stanice je na displeji uveden důvod (např. vybitý akumulátor, sečení ukončeno). 


Nabíjení akumulátoru:

Při nabíjení akumulátoru je na displeji zobrazen text „Akumulátor se nabíjí“ 

Přijetí do výchozího bodu:

Když robotická sekačka při zahájení sečení přijíždí do výchozího bodu, zobrazí se text „Přijetí do výchozího bodu“ 


Najetí do požadované zóny:

Když robotická sekačka při zahájení sečení přijíždí do požadované zóny, zobrazí se text „Najíždění do požadované zóny“ 

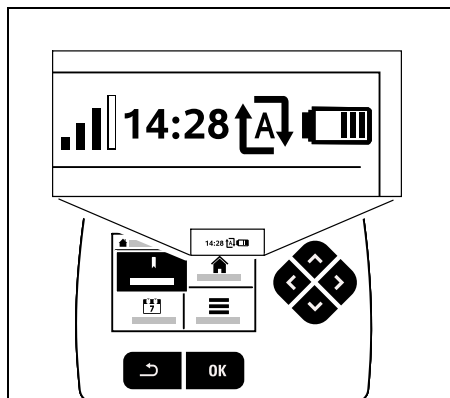
Zobrazení hlášení:

Mimo Postavit iMOW® na sečenou plochu
1/1 14.05.2017 12:33 M1135

Chyby, poruchy nebo doporučení se zobrazí společně s varovným symbolem, datem, časem a kódem hlášení. Pokud je aktivních několik hlášení, zobrazují se střídavě. (⇒ 24.)

 Je-li robotická sekačka připravená k provozu, zobrazuje se střídavě hlášení a informace o stavu.

11.3 Informační oblast



V pravém horním rohu displeje se zobrazí tyto informace:

1. Stav nabití akumulátoru, popř. proces nabíjení
2. Stav automatiky
3. Čas
4. Mobilní signál

1. Stav nabití:

Symbol akumulátoru slouží k indikaci stavu nabití.

Žádná čárka – vybitý akumulátor
1 až 5 čárek – částečně vybitý akumulátor
6 čárek – zcela nabitý akumulátor

Během procesu nabíjení se místo symbolu akumulátoru zobrazí **symbol síťového konektoru**.

2. Stav automatiky:

Pokud je automatika zapnutá, zobrazí se **symbol automatiky**.



3. Čas:

Aktuální čas se zobrazí ve 24hodinovém formátu.

4. Mobilní signál:

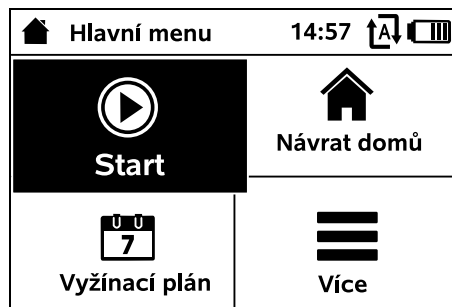
Síla signálu spojení mobilního telefonu se zobrazí ve formě 4 čárek. Čím více čárek je plných, tím lepší je příjem.

Symbol příjmu s malým x signalizuje chybějící připojení k internetu.

Během inicializace rádiového modulu (kontrola hardwaru a softwaru – např. po zapnutí robotické sekačky) se zobrazí otazník.



11.4 Hlavní menu



Hlavní menu se na displeji zobrazí,

- když opustíte indikátor stavu (⇒ 11.2) stisknutím tlačítka OK,
- na druhé úrovni menu stisknete tlačítko Zpět.

1. Start (⇒ 11.5)

Doba sečení
Výchozí bod
Sečení v

2. Návrat do dobíjecí stanice (⇒ 11.6)

3. Vyžínací plán (⇒ 11.7)

Automatika
Doba sečení
Aktivní doby
Nový vyžínací plán

4. Více (⇒ 11.8)

Zablokování iMOW®
Sečení u okr.
Nastavení
Informace



11.5 Start

	Spustit sečení	15:02		
Doba sečení		1.5 h		
Výchozí bod		Výchozí bod 1		
Sečení v		Hlavní plocha		

1. Doba sečení:

Dobu sečení lze nastavit.

2. Výchozí bod:

Lze vybrat výchozí bod, v němž robotická sekačka zahájí etapu sečení. Tato volba je k dispozici, pouze pokud jsou nastaveny výchozí body a robotická sekačka se nachází v dobíjecí stanici.


3. Sečení v:

Plochu k sečení lze zvolit. Tato volba je k dispozici, pouze pokud je nainstalována vedlejší plocha.

11.6 Návrat domů

Robotická sekačka se vrátí zpět do dobíjecí stanice, aby se nabil akumulátor. Po zapnutí automatiky bude robotická sekačka pokračovat v sečení plochy v nejbližší možné aktivní době.



 Robotickou sekačku lze poslat zpět do dobíjecí stanice také pomocí aplikace. (⇒ 10.)

11.7 Vyžínací plán

UOU 7	Vyžínací plán	11:02	
Automatika		Zap	
Doba sečení	18 h		
Aktivní doby	...		
Nový vyžínací plán			

Automatika

Zap - Automatika je zapnuta. Robotická sekačka seče trávník při následující aktivní době.

Vyp - Veškeré aktivní doby jsou deaktivovány.


Dnes udělat pauzu - Robotická sekačka až do následujícího dne automaticky nevyjede. Tato volba je k dispozici, pouze pokud jsou v aktuální den ještě aktivní doby ve frontě.

Doba sečení

Týdenní dobu sečení lze nastavit. Nastavení je možné pouze u typu vyžínacího plánu „Dynamický“.




Přednastavená hodnota se přizpůsobí velikosti sečené plochy. (⇒ 14.4)
Dodržujte pokyny uvedené v kapitole „Úprava naprogramovaných hodnot“. (⇒ 15.3)

 Doba sečení můžete upravit také pomocí aplikace. (⇒ 10.)

Aktivní doby

UOU 7	Vyžínací plán	17:30				
PO	ÚT	ST	ČT	PÁ	SO	NE
■	■	■	■	■	■	■

Uložený vyžínací plán vyvoláte pomocí nabídky „Vyžínací plán“ – „Aktivní doby“. Pravoúhlé plochy pod příslušným dnem znázorňují uložené aktivní doby. V aktivních dobách zobrazených na černém pozadí může probíhat sečení, šedá pole označují aktivní doby bez etap sečení – např. pokud je aktivní doba vypnutá.

 Po vypnutí automatiky není vyžínací plán aktivní a všechny aktivní doby se zobrazí na šedém pozadí.

Pokud chcete upravit aktivní doby **určitého dne**, aktivujte daný den stisknutím levé nebo pravé části čtyřsměrového ovládacího tlačítka a otevřete podnabídku **Aktivní doby**.




UOU 1	Aktivní doby	15:32				
PO	ÚT	ST	ČT	PÁ	SO	NE
<input checked="" type="checkbox"/>	08:00 - 12:00					
<input checked="" type="checkbox"/>	13:00 - 17:00					
	Nová aktivní doba					
<input checked="" type="checkbox"/>	Vymazat všechny akt. doby					


V aktivních dobách označených **zatržítkem** může probíhat sečení. Tyto doby jsou ve vyžínacím plánu zobrazeny na černém pozadí.



V aktivních dobách neoznačených **zatržítkem** sečení probíhat nemůže. Tyto doby jsou ve vyžínacím plánu zobrazeny na šedém pozadí.



 Dodržujte pokyny uvedené v kapitole „Pokyny pro sečení – Aktivní doby“. (⇒ 14.3)
Ve stanovených aktivních dobách nesmí na sečenou plochu vstupovat nepovolané osoby.

 Aktivní doby mohou být zpracovávány také pomocí aplikace. (⇒ 10.)

Uložené aktivní doby můžete jednotlivě označit a upravit.






Položku nabídky **Nová aktivní doba** můžete zvolit, pokud pro daný den dosud nebyly uloženy 3 aktivní doby. Dodatečně zvolená aktivní doba se nesmí překrývat s jinými aktivními dobami.






Pokud nechcete, aby robotická sekačka ve zvolený den pracovala, zvolte položku nabídky **Vymazat všechny akt. doby**.





Změna aktivních dob:

 Aktivní doba PO 08:00-12:00 
 Aktivní doba vyp
 Změnit aktivní dobu
 Vymazat aktivní dobu


Výběrem možnosti **Aktivní doba vyp** nebo **Aktivní doba zap** bude zvolená aktivní doba zablokována nebo odblokována za účelem automatického sečení. 



Výběrem položky **Změnit aktivní dobu** můžete upravit časový interval. 

Pokud nechcete, aby byla zvolená aktivní doba dále používána, zvolte položku nabídky **Vymazat aktivní dobu**. 




 Pokud nejsou stanovená časová rozmezí dostatečná k tomu, aby proběhly všechny nezbytné etapy sečení a nabíjení, musíte aktivní doby prodloužit nebo doplnit, případně zkrátit dobu sečení. Na displeji stroje se zobrazí odpovídající hlášení.

Nový vyžínací plán

Příkazem **Nový vyžínací plán** vymažete všechny uložené aktivní doby. Zobrazí se krok instalační příručky „Programování robotické sekačky“. (⇒ 9.13) 

 Pokud doba ukončení nového programování spadá do aktivní doby, zahájí robotická sekačka po potvrzení jednotlivých denních plánů automatickou etapu sečení.

11.8 Více

 Více 10:27  
Zablokování iMOW®
Sečení u okr.
Nastavení ...
Informace ...

1. Zablokování iMOW®: Aktivace blokování přístroje.
K odblokování je třeba stisknout zobrazenou kombinaci tlačítek. (⇒ 5.2)


2. Sečení u okr.:
Po aktivaci této možnosti seče robotická sekačka okraj sečené plochy. Po objetí jednoho kola se vrátí zpět do dobíjecí stanice, aby se nabil akumulátor.


3. Nastavení(⇒ 11.9)


4. Informace(⇒ 11.18)

11.9 Nastavení



 Nastavení 15:03  
    
iMOW®
Typ vyž.plánu Standardní
Dešťové čidlo < "1" >
Indik. stavu

1. iMOW®:
Přizpůsobení nastavení stroje (⇒ 11.10) 

2. Instalace:
Přizpůsobení a testování instalace (⇒ 11.13) 

3. Bezpečnost:
Přizpůsobení nastavení bezpečnosti (⇒ 11.16) 

4. Servis:
Údržba a servis (⇒ 11.17) 

5. Pro prodejce:
Nabídka je chráněna **kódem prodejce**. Pomocí této nabídky provádí odborný prodejce různé úkony údržby a opravy.  

11.10 iMOW® – Nastavení stroje

1. Typ vyžínacího plánu:

Standardní: Robotická sekačka seče trávník během celé aktivní doby. Etapy sečení se přerušují pouze dobíjením. Přednastavený je typ vyžínacího plánu Standardní.

Dynamický: Počet a trvání dob sečení a dobíjení se v rámci stanovených aktivních dob zcela automaticky přizpůsobí.

2. Dešťové čidlo:

Dešťové čidlo můžete nastavit tak, aby byl proces sečení v dešti přerušen, případně aby ani nezačal.



- Nastavení dešťového čidla (⇒ 11.11)

3. Indik. stavu:

Výběr informací, které se mají zobrazit v indikátoru stavu. (⇒ 11.2)



- Nastavení indikátoru stavu (⇒ 11.12)

4. Čas:

Nastavení aktuálního času. Nastavený čas se musí krýt se skutečným časem, aby sečení robotické sekačky neprobíhalo v nesprávném čase.



Čas můžete upravit také pomocí aplikace. (⇒ 10.)

5. Datum:

Nastavení aktuálního data. Nastavené datum se musí krýt se skutečným kalendářním datem, aby sečení robotické sekačky neprobíhalo v nesprávnou dobu.



Datum můžete upravit také pomocí aplikace. (⇒ 10.)

6. Formát data:

Nastavte požadovaný formát data.



7. Jazyk:

Nastavte požadovaný jazyk displeje. Standardně je nastaven jazyk, který zvolíte při první instalaci.



8. Kontrast:

Kontrast displeje lze měnit podle potřeby.



9. Energ. režim:

V režimu **Standardní** je robotická sekačka stále připojena k internetu a je dostupná pomocí aplikace. (⇒ 10.) V režimu **ECO** se za účelem snížení spotřeby energie v klidových fázích deaktivuje radiokomunikace, robotická sekačka tedy pomocí aplikace není k dosažení. V aplikaci se zobrazí naposledy dostupná data.



11.11 Nastavení dešťového čidla

5-stupňové čidlo nastavíte stisknutím levé nebo pravé strany čtyřsměrového ovládacího tlačítka. Aktuální hodnota se zobrazí v nabídce „Nastavení“ v podobě symbolu.



Posunutí regulátoru ovlivňuje

- citlivost dešťového čidla,
- dobu, po kterou bude robotická sekačka po dešti čekat na vysušení plochy čidla.

Při volbě **střední citlivosti nastavení** je robotická sekačka připravena k použití za normálních vnějších provozních podmínek.



Pokud posunete sloupec dále **doleva**, bude se sečení provádět při vyšší vlhkosti. Při nastavení lišty do krajní levé polohy pracuje robotická sekačka i za mokrých venkovních podmínek a nepřerušuje etapu sečení ani tehdy, jestliže na dešťové čidlo dopadají dešťové kapky.



Pokud posunete sloupec dále **doprava**, bude se tráva sekat při nižší vlhkosti. Při posunutí lišty do krajní pravé polohy bude robotická sekačka pracovat pouze tehdy, bude-li dešťové čidlo zcela suché.



11.12 Nastavení indikátoru stavu

Při konfiguraci indikátoru stavu zvolte pomocí čtyřsměrového ovládacího tlačítka, zda se má zobrazovat vlevo nebo vpravo, a volbu potvrďte stisknutím tlačítka OK.

Stav nabití:

zobrazení symbolu akumulátoru a stavu nabití akumulátoru v procentech



Zbývající čas:

Zbývající doba sečení v daném týdnu v hodinách a minutách. Tento údaj je k dispozici pouze u typu vyžínacího plánu „Dynamický“.



Čas a datum:

aktuální datum a čas



Čas spuštění:

spuštění další plánované etapy sečení. Při probíhající aktivní době se zobrazí text „aktivní“.



Etapy sečení:

počet všech dosud proběhlých etap sečení.



Hodiny sečení:

doba trvání všech dosud proběhlých etap sečení.



Úsek dráhy:

celkový ujetý úsek dráhy.



Sít:

intenzita mobilního signálu s rozpoznáním sítě. Malé x, popř. otazník signalizují chybějící spojení robotické sekačky s internetem. (⇒ 11.3), (⇒ 11.18)



Příjem GPS:

souřadnice GPS robotické sekačky. (⇒ 11.18)



11.13 Instalace

1. Koridor:

Zapnutí/vypnutí odsazení od okraje při návratu domů.

Po zapnutí funkce koridoru se robotická sekačka vydá v určité vzdálenosti podél omezovacího drátu k dobíjecí stanici.



Pokud pro přímý návrat domů není uložena žádná vytvořená mapa (⇒ 11.15), vrátí se robotická sekačka domů podél okraje a současně bude respektovat nastavení koridoru.

Lze zvolit jednu ze **tří variant**:

Vyp – standardní nastavení

Robotická sekačka jede u omezovacího drátu.

Úzký – 40 cm

Robotická sekačka střídavě jede u omezovacího drátu a ve vzdálenosti 40 cm.

Široký – 40 - 80 cm

Vzdálenost od omezovacího drátu se při každém návratu domů zvolí v rámci tohoto koridoru náhodně.



Pokud se dobíjecí stanice nachází mimo sečenou plochu nebo jsou použity úzké průchody a úzká místa, je pro funkci odsazení od okraje nutné nainstalovat **vyhledávací smyčky**. (⇒ 12.12)

U odsazeného okraje dodržujte minimální vzdálenost drátu 2 m.

2. Výchozí body:

Robotická sekačka zahajuje etapy sečení buď u dobíjecí stanice (standardní nastavení), nebo u výchozího bodu.

Je nutné definovat výchozí body,

- pokud chcete sekačku cíleně navést do některých oblastí sečené plochy v případě, že jsou nedostatečně sečeny,
- pokud jsou oblasti dosažitelné pouze prostřednictvím úzkého průchodu. V těchto oblastech sečené plochy je nutné stanovit nejméně jeden výchozí bod.

K výchozím bodům může být přidělen **poloměr**. Robotická sekačka seče tehdy, když etapa sečení začíná u příslušného výchozího bodu, vždy nejdříve uvnitř kruhové plochy okolo výchozího bodu. Teprve poté, co posekala tyto oblasti sečené plochy, pokračuje etapa sečení na zbývající sečené ploše.

- Nastavení výchozích bodů (⇒ 11.14)

3. Přímý návrat domů:

Vytvoření vnitřní mapy sečené plochy pro přímý návrat domů. (⇒ 11.15)

4. Vedlejší plochy:

Zpřístupněte vedlejší plochy.

Neaktivní – standardní nastavení

Aktivní – nastavení, když má být prováděno sečení vedlejších ploch.



V nabídce „Start“ je třeba vybrat sečenou plochu (hlavní plocha / vedlejší plocha). (⇒ 12.10)

5. Sečení u okr.:

Zvolte četnost sečení u okraje.

Nikdy – Okraj se nebude sekat nikdy.

Jednou – Okraj se seče jednou týdně (standardní nastavení).

Dvakrát/třikrát/čtyřikrát/pětkrát – Okraj se seče dvakrát/třikrát/čtyřikrát/pětkrát týdně.

6. Test okraje:

Zahajte objíždění okraje pro kontrolu správného uložení drátu.

Vyvolá se krok „Kontrola instalace“ instalační příručky. (⇒ 9.12)



Chcete-li zkontrolovat správné uložení drátu okolo uzavřených ploch, umístěte robotickou sekačku v sečené ploše tak, aby její přední strana směřovala k uzavřené ploše, a spusťte objíždění okraje.

Při objíždění okraje bude definována domovská oblast robotické sekačky. V případě potřeby bude rozšířena již uložená domovská oblast. (⇒ 14.5)

7. Nová instalace:

Instalační příručka se spustí znovu a aktuální vyžínací plán bude vymazán. (⇒ 9.)

11.14 Nastavení výchozích bodů

Při nastavení buď

- spusťte proces učení výchozích bodů, nebo
- zvolte požadovaný výchozí bod a zadejte jej ručně.

Proces určení výchozích bodů:

Po stisknutí tlačítka OK zahájí robotická sekačka zkušební jízdu podél omezovacího drátu. Pokud se zrovna nenachází v dobíjecí stanici, nejprve k ní přijede. Všechny stávající výchozí body budou odstraněny.



Během zkušební jízdy bude definována domovská oblast robotické sekačky. V případě potřeby bude rozšířena již uložená domovská oblast. (⇒ 14.5)

Během této jízdy můžete stisknutím tlačítka OK (po otevření krytu) určit až 4 výchozí body.



Dávejte pozor, abyste před otevřením krytu nestiskli tlačítko STOP, protože by došlo k přerušení zkušební jízdy. Přerušení je zpravidla nutné jen tehdy, když je potřeba změnit umístění drátu nebo odstranit překážku.

Přerušení procesu učení:

Manuálně – stisknutím tlačítka STOP.
Automaticky – překážkami na okraji sečené plochy.

- Pokud byla zkušební jízda přerušena automaticky, upravte polohu omezovacího drátu nebo odstraňte překážku.
- Před pokračováním zkušební jízdy zkontrolujte polohu robotické sekačky. Stroj se musí nacházet nad omezovacím drátem nebo uvnitř sečené plochy tak, aby jeho přední strana směřovala k omezovacímu drátu.

Ukončení procesu učení:

Ručně – po přerušení.
Automaticky – po návratu do dobíjecí



stanice.

Po návratu do dobíjecí stanice nebo po přerušení zkušební jízdy uložíte nové výchozí body stisknutím tlačítka OK (po otevření krytu).

Četnost startů:

Četnost startů udává, jak často má ve výchozím bodě začínat etapa sečení. Výchozí nastavení je 2 z 10 etap sečení (2/10) v každém výchozím bodě.

- Po dokončení procesu učení můžete četnost startů v případě potřeby upravit.
- Pokud je proces učení ukončen předčasně, zadejte robotické sekačce příkaz, aby se vrátila do dobíjecí stanice. (⇒ 11.6)
- Po naučení výchozích bodů může být okolo každého z nich stanoven **poloměr** od 3 m až do 30 m. K uloženým výchozím bodům standardně nebývá přidělen žádný poloměr.



Výchozí body s poloměrem:

Když etapa sečení začíná u příslušného výchozího bodu, robotická sekačka seče vždy nejdříve plochu kruhové výseče okolo výchozího bodu. Teprve potom seče zbývající sečenou plochu.

Ruční nastavení výchozích bodů 1 až 4:

Určete vzdálenost výchozích bodů od dobíjecí stanice a četnost startů.

Vzdálenost odpovídá délce trasy od dobíjecí stanice k výchozímu bodu v metrech, měřeno ve směru hodinových ručiček.

Četnost startů může být mezi 0 z 10 etap sečení (0/10) a 10 z 10 etap sečení (10/10).



Okolo výchozího bodu může být stanoven **poloměr** od 3 m až do 30 m.



Dobíjecí stanice je definována jako **výchozí bod 0**, etapy sečení jsou standardně zahajovány u ní.



Četnost startů pro stanici je vypočítána podle toho, kolik startů chybí do hodnoty 10/10.

11.15 Přímý návrat domů

Inteligentní hledání cesty umožňuje robotické sekačce ještě přímější a efektivnější návrat do dobíjecí stanice.

Aktivní - Přímý návrat domů je aktivní. Robotická sekačka se vrátí přes sečenou plochu zpět do dobíjecí stanice.

Neaktivní - Přímý návrat domů není aktivní. Robotická sekačka jede podél omezovacího drátu k dobíjecí stanici.

Učení - vytvoření vnitřní mapy sečené plochy. Pokud je mapa již uložena, nyní se smaže.



Během zkušební jízdy se uloží vnitřní mapa robotické sekačky. Za tímto účelem se musí uskutečnit objížďení okraje bez přerušení.

Předpoklady k vytvoření mapy sečené plochy:

- Robotická sekačka musí bez přerušení objet celou délku omezovacího drátu.
- Překážky a chyby v uložení drátu vedou k přerušení. Překážky se musí odstranit a chyby v uložení drátu opravit.

Provedení vytvoření mapy sečené plochy:

- Zvolte bod nabídky „Učení“.
- Proces učení vyžaduje objíždění okraje bez přerušení.




- Odstraňte překážky nacházející se podél omezovacího drátu. Volbu potvrďte tlačítkem OK.
- Pokud vnitřní mapa již existuje, zobrazí se dotaz, zda má být tato mapa smazána.
- Při potvrzení tlačítkem OK zavřete kryt. Robotická sekačka zahájí objíždění okraje. Na pozadí se vytváří vnitřní mapa sečené plochy.

Při úspěšném provedení vytváření mapy sečené plochy:


- Proces učení se ukončí automaticky při připojení robotické sekačky k dobíjecí stanici.
- Zobrazí se hlášení „Proces učení byl úspěšný“.
Přímý návrat domů je aktivní.


V případě přerušení objíždění okraje:

 Proces objíždění okraje se přeruší kontaktem s překážkou nebo jej můžete přerušit ručně stisknutím tlačítka STOP.

Po přerušení se tato zkušební jízda musí zahájit znovu od dobíjecí stanice.

- Zobrazí se hlášení „Přerušení učení - Chyba učení“.
- Zobrazí se dotaz, zda se má objíždění okraje přerušit.
Pokud zvolíte možnost Ne: Robotická sekačka jede samostatně podél omezovacího drátu k dobíjecí stanici. Aby bylo vytvoření mapy úspěšné, musí se tato zkušební jízda zahájit znovu.
Pokud zvolíte možnost Ano: Přeneste stroj ručně k dobíjecí stanici.
- Zobrazí se dotaz, zda se má proces učení zopakovat.
- Při potvrzení pomocí Ano postavte robotickou sekačku do dobíjecí stanice, potvrďte stisknutím tlačítka OK a zavřete kryt. Proces učení se spustí znovu.

 V případě úprav uložení omezovacího drátu se musí mapa sečené plochy vytvořit znovu.

 Pokud je v rámci první instalace bez přerušení proveden krok „Test okraje“, vytvoří se mapa sečené plochy automaticky na pozadí.

11.16 Bezpečnost

1. Blokování přístroje
2. Stupeň
3. Ochrana GPS

4. Změnit kód PIN
5. Počát. signál
6. Tóny menu
7. Blok. tlač.
8. Spojit iMOW® + dobij.

1. Blok. přístr.:


Stisknutím tlačítka OK se aktivuje funkce blokování přístroje a robotickou sekačku již nebude možné uvést do provozu. Funkci blokování přístroje je třeba aktivovat vždy před zahájením údržbářských prací nebo čištění, před převozem robotické sekačky a před její prohlídkou. (⇒ 5.2)

- Funkci blokování přístroje deaktivujete stisknutím uvedené kombinace tlačítek.

2. Stupeň:

Můžete nastavit 4 bezpečnostní stupně. Nastavený stupeň určuje, které bezpečnostní prvky a zařízení se aktivují.

- **Žádný:**
Robotická sekačka není chráněna.
- **Nízký:**
Požadavek PIN je aktivní; spárování robotické sekačky s dobíjecí stanicí a obnovení výrobního nastavení stroje je možné až po zadání kódu PIN.
- **Střední:**
Stejný jako „Nízký“, navíc je aktivní časová pojistka.
- **Vysoký:**
Kód PIN je vyžadován vždy.

 Společnost STIHL doporučuje nastavit „Nízký“, „Střední“ nebo „Vysoký“ bezpečnostní stupeň.

- Zvolte požadovaný stupeň a volbu potvrďte stisknutím tlačítka OK.
V případě potřeby zadejte 4místný kód PIN.

Požadavek PIN:

Pokud je sekačka překlomena na více než 10 sekund, zobrazí se požadavek PIN. Pokud kód PIN nezadáte do 1 minuty, zazní výstražný tón a vypne se automatika.

Blokov. spojení:

Výzva k zadání kódu PIN před spárováním robotické sekačky a dobíjecí stanice.

Blokov. resetu:

Výzva k zadání kódu PIN před resetováním stroje na výrobní nastavení.

Časová pojistka:

Výzva k zadání kódu PIN ke změně nastavení, pokud není kód PIN zadán déle než 1 měsíc.

Nastav. ochrana:

Výzva k zadání kódu PIN při změně nastavení.

3. Ochrana GPS:

Zapnutí, popř. vypnutí kontroly polohy. (⇒ 5.9)



Doporučení:

Vždy zapínejte ochranu GPS. Před zapnutím zadejte do aplikace číslo mobilního telefonu majitele (⇒ 10.) a na robotické sekačce nastavte bezpečnostní stupeň „Nízký“, „Střední“ nebo „Vysoký“.

4. Změnit kód PIN:

4místný kód PIN můžete v případě potřeby změnit.



Položka nabídky „Změnit kód PIN“ se zobrazí, pouze pokud je nastaven bezpečnostní stupeň „Nízký“, „Střední“ nebo „Vysoký“.

- Zadejte nejprve původní kód PIN a potvrďte jej stisknutím tlačítka OK.

- Poté zadejte nový 4místný kód PIN a potvrďte jej stisknutím tlačítka OK.



Společnost STIHL doporučuje, abyste si změněný kód PIN poznačili.

Pokud totiž 5krát zadáte nesprávný kód PIN, bude nutné zadat 4místný **hlavní kód** a vypne se automatika.

Hlavní kód vám v případě potřeby sdělí váš odborný prodejce STIHL nebo přímo oddělení technické podpory iMOW® prostřednictvím support@imow.stihl.com. Sdělte prosím 9místné sériové číslo a 4místné datum zobrazené na displeji iMOW®.

5. Počát. signál:

Zapnutí nebo vypnutí akustického signálu, který zazní před zapnutím žacího nože.



6. Tóny menu:

Aktivace a deaktivace akustického zvuku cvaknutí, který zazní při otevření menu nebo potvrzení volby stisknutím tlačítka OK.



7. Blokování tlačítek:

Pokud je funkce blokování tlačítek aktivní, je možné tlačítka na displeji používat až po stisknutí a podržení tlačítka **Zpět** a následném stisknutí **horní části** čtyřsměrového ovládacího tlačítka. Funkce blokování tlačítek se aktivuje 2 minuty po posledním stisknutí tlačítek.



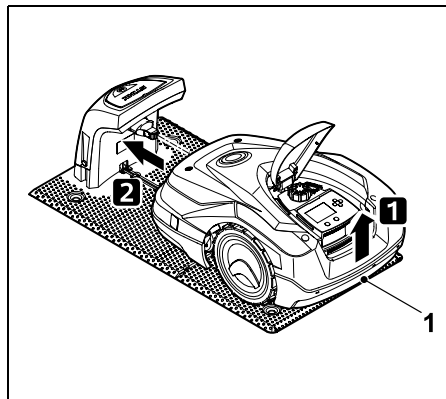
8. Spojení iMOW® + dobij.:

Robotická sekačka pracuje po prvním uvedení do provozu výhradně s nainstalovanou dobíjecí stanicí. Po výměně dobíjecí stanice nebo elektronických součástí robotické sekačky nebo při uvedení robotické sekačky do



provozu na nové sečené ploše s jinou dobíjecí stanicí je třeba robotickou sekačku s dobíjecí stanicí spárovat.

- Instalujte dobíjecí stanici a připojte omezovací drát. (⇒ 9.8), (⇒ 9.10)



nutím robotické sekačky za držadlo pro nošení (1) uvolníte hnací kola. Přesuňte stroj na předních kolech do dobíjecí stanice.

- Stiskněte tlačítko OK a zadejte kód PIN. Robotická sekačka vyhledá signál drátu a automaticky si jej uloží. Proces může trvat několik minut. (⇒ 9.11)



Pokud je nastaven bezpečnostní stupeň „Žádný“, není zadání kódu PIN vyžadováno.

11.17 Servis

1. Výměna nože:

Tlačítkem OK potvrdíte dokončení montáže nového žacího nože. Počítadlo se vynuluje.

2. Hledání lomu drátu:

Pokud na dobíjecí stanici rychle bliká červená kontrolka, byl omezovací drát přerušen. (⇒ 13.1)

- Hledání lomu drátu (⇒ 16.7)

3. Zimní spánek:

Stisknutím OK se robotická sekačka uvede do zimního spánku. Nastavení zůstanou zachována, datum a čas se vynulují.

- Před zimním spánkem akumulátor zcela nabijte.
- „Probuzení“ a opětovné spuštění stroje provedete stisknutím libovolného tlačítka.

4. Reset nastavení:








Stisknutím tlačítka OK se obnoví výrobní nastavení robotické sekačky a instalační asistent se spustí znovu. (⇒ 9.6)

- Po stisknutí tlačítka OK zadejte kód PIN.



Pokud je nastaven bezpečnostní stupeň „Žádný“, není zadání kódu PIN vyžadováno.

11.18 Informace

 Informace 10:32 	
    	
Hlášení	
Byl rozpoznán déšť	PÁ 13:52
Doporučení	NE 15:00

1. Hlášení:

Seznam všech aktivních chyb, poruch a doporučení; zobrazení společně s okamžikem jejich vygenerování.



Při bezporuchovém provozu se zobrazí text „Žádná hlášení“.

Podrobnosti o hlášeních zobrazíte stisknutím tlačítka OK. (⇒ 24.)

2. Události:

Seznam posledních aktivit robotické sekačky.



Podrobnosti o událostech (doplňující text, okamžik vygenerování a kód) zobrazíte stisknutím tlačítka OK.



Pokud některé činnosti probíhají nezvykle často, vyžádejte si podrobné informace u odborného prodejce. Chyby při běžném provozu se uloží jako hlášení.

3. Stav iMOW@:

informace o robotické sekačce.



- Stav nabití: nabití akumulátoru v procentech
- Zbývající čas: zbývající doba sečení v daném týdnu v hodinách a minutách
- Datum a čas
- Čas spuštění: spuštění další plánované etapy sečení
- Počet všech ukončených etap sečení
- Hodiny sečení: doba všech ukončených etap sečení v hodinách
- Úsek dráhy: celková ujetá vzdálenost v metrech
- Sér. číslo: sériové číslo robotické sekačky, tento údaj je uveden také na typovém štítku (viz popis stroje) (⇒ 3.1)

- Akumulátor: sériové číslo akumulátoru
- Software: nainstalovaný software stroje

4. Stav trávniku:

informace o ploše trávniku



- Sečená plocha v metrech čtverečních: hodnotu je třeba zadat při první, resp. nové instalaci. (⇒ 9.13)
- Doba okruhu: doba trvání jednoho okruhu kolem sečené plochy v minutách a sekundách
- Výchozí body 1–4: vzdálenost příslušného výchozího bodu od dobíjecí stanice v metrech, měřeno ve směru pohybu hodinových ručiček (⇒ 11.14)
- Rozsah: rozsah sečené plochy v metrech
- Sečení u okr.: četnost sečení u okraje v jednom týdnu (⇒ 11.13)

5. Stav rádiového modulu:

informace o rádiovém modulu



- Družice: počet družic v pracovním dosahu
- Poloha: aktuální poloha robotické sekačky; k dispozici v případě dostatečného družicového spojení
- Síla signálu: síla signálu spojení mobilního telefonu; čím více znaků plus (max. „++++“) se zobrazuje, tím lepší je spojení
- Síť: rozpoznání sítě, skládá se z kódu země (MCC) a kódu mobilního operátora (MNC)

- Mobilní telefonní č.: mobilní telefonní číslo majitele; zadává se v aplikaci (⇒ 10.)
- IMEI: sériové číslo hardwaru rádiového modulu
- IMSI: mezinárodní identifikace mobilního účastníka
- SW: verze softwaru rádiového modulu
- Sér. číslo: sériové číslo rádiového modulu
- Sér. č. modemu: sériové číslo modemu

12. Omezovací drát



Před uložením

omezovacího drátu, zejména před jeho první instalací, si přečtěte celou kapitolu a přesně naplánujte, kudy drát povedete.

Při první instalaci postupujte podle pokynů uvedených v instalační příručce. (⇒ 9.)

V případě potřeby se obraťte na odborného prodejce produktů STIHL, který vám rád pomůže při přípravě sečené plochy a instalaci omezovacího drátu.

Před definitivním uchycením omezovacího drátu zkontrolujte, zda byla instalace provedena správně. (⇒ 9.) Uložení drátu je nutné upravit zpravidla v úzkých průchodech, úzkých místech nebo na uzavřených plochách.

K odchylkám může dojít:



- při překročení technických omezení robotické sekačky – například ve velmi dlouhých úzkých průchodech, při položení drátu v blízkosti kovových předmětů nebo když se pod sekanou plochou nachází kov (např. vodní nebo elektrické vedení);
- při konstrukčním přizpůsobení sečené plochy speciálně pro použití robotické sekačky.



Vzdálenosti uvedené v tomto návodu k použití jsou odladěny k pokládání omezovacího drátu na povrch trávníku.

Omezovací drát můžete uložit také do země do hloubky max. 10 cm (např. pokládacím strojem).

Uložení do země zpravidla ovlivňuje příjem signálu, a to zejména v případě, že se nad omezovacím drátem nachází desky nebo dlažební kostky. Robotická sekačka může případně vjet dále mimo sečenou plochu, takže je při vytváření úzkých průchodů a ohraničování okrajů nutné počítat s většími prostorovými nároky. V případě potřeby změňte uložení drátu.

12.1 Plánování trasy omezovacího drátu



Dodržujte příklady pro instalaci

uvedené na konci návodu k použití. (⇒ 27.)
Uzavřené plochy, úzké průchody, vedlejší plochy, vyhledávací smyčky a rezervy drátu určujte s ohledem na uložení omezovacího drátu, abyste nemuseli provádět dodatečné úpravy.

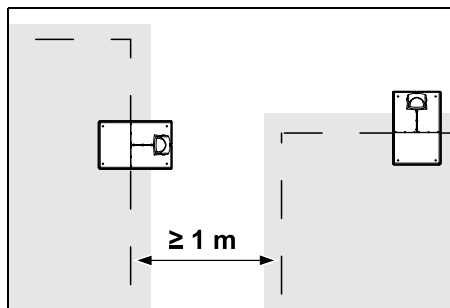
- **Zvolte místo uložení dobíjecí stanice.** (⇒ 9.1)
- **Odstraňte překážky** ze sečené plochy nebo definujte uzavřené plochy. (⇒ 12.9)
- **Omezovací drát:**
Omezovací drát musí být uložen kolem celé sečené plochy v podobě průběžné smyčky.
Maximální délka:
500 m
- **U malých sečených ploch o délce drátu do 80 m je nutné společně s omezovacím drátem nainstalovat také dodané příslušenství AKM 100.** (⇒ 9.9)
- **Úzké průchody a vedlejší plochy:**
Při sečení v automatickém režimu propojte všechny oblasti sečené plochy **úzkými průchody**. (⇒ 12.11)
Pokud pro to není k dispozici dostatek prostoru, instalujte **sousedící plochy**. (⇒ 12.10)
- Při pokládání omezovacího drátu dodržujte **vzdálenosti** (⇒ 12.5):
u sousedních sjízdňných ploch (výška nerovnosti nepřesahuje +/- 1 cm, např. chodníčky): **0 cm**
u úzkých průchodů: **22 cm**
u vysokých překážek (např. zdí, stromů): **28 cm**
minimální vzdálenost drátů v úzkých místech: **44 cm**
u vodních ploch a míst, kde může dojít k pádu (hrany, schody): **100 cm**
- **Rohy:**
Drát nepokládejte v ostrých úhlech (menších než 90°).

- **Vyhledávací smyčky:**

Má-li být používána funkce odsazení od okraje při návratu domů (koridor), je nutné u úzkých průchodů a dobíjecích stanic umístěných mimo sečenou plochu nainstalovat vyhledávací smyčky. (⇒ 12.12)

- **Rezervy drátu:**

K pozdějšímu usnadnění změn instalace omezovacího drátu instalujte větší rezervy drátu. (⇒ 12.15)



Sečené plochy se nesmí překrývat. Mezi omezovacími dráty dvou sečených ploch je nutné dodržet minimální vzdálenost ≥ 1 m.

i Navinuté zbytky omezovacího drátu mohou způsobit rušení, a proto je nutné je odstranit.

12.2 Náskres sečené plochy



Při instalaci robotické sekačky a dobíjecí stanice se doporučuje zhotovit si náskres sečené plochy. Na začátku tohoto návodu k použití je k tomuto účelu vyhrazena jedna strana. Tento náskres je nutné v případě pozdějších změn aktualizovat.

Co musí náskres obsahovat:

- **obrys sečené plochy** s důležitými překážkami, hranicemi a případnými uzavřenými plochami, do nichž robotická sekačka nesmí vjet; (⇒ 27.)
- polohu **dobíjecí stanice** (⇒ 9.8);
- polohu **omezovacího drátu**: Omezovací drát po krátké době zaroste do trávníku a nebude vidět. Do nákresu zaznamenejte zejména trasu vedení drátu kolem překážek; (⇒ 9.9)
- polohu **elektrických konektorů** Elektrické konektory, které použijete, brzy zarostou a nebudou vidět. Jejich polohu si poznamenejte, abyste je mohli v případě potřeby vyměnit. (⇒ 12.16)

12.3 Uložení omezovacího drátu

i Používejte pouze originální kolíky a omezovací drát. **Instalační sady** s potřebným instalačním materiálem jsou k dostání jako příslušenství u odborného prodejce produktů STIHL. (⇒ 18.)

Směr uložení drátu (po směru nebo proti směru hodinových ručiček) si můžete zvolit podle potřeby.

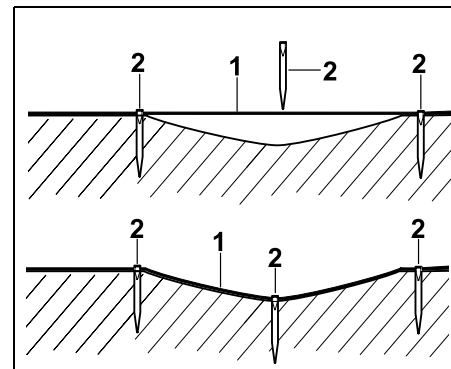
Kolíky nikdy nevytahujte pomocí omezovacího drátu, ale vždy použijte vhodný nástroj (např. kombinované kleště).

Trasu vedení omezovacího drátu si zakreslete a uchovejte. (⇒ 12.2)

- Instalace dobíjecí stanice. (⇒ 9.8)

- Omezovací drát položte po obvodu sečené plochy, vedte jej od dobíjecí stanice kolem případných překážek (⇒ 12.9) a kolíky připevněte k zemi. Vzdálenosti kontrolujte pomocí pravítka iMOW®. (⇒ 12.5) Dodržujte pokyny uvedené v kapitole „První instalace“. (⇒ 9.9)
- Připojte omezovací drát. (⇒ 9.10)

i **Upozornění:** Aby nedošlo k přerušení omezovacího drátu, vyhněte se příliš vysokému tahovému napětí omezovacího drátu. Zejména při pokládání drátu pomocí pokládacího stroje dbejte na to, aby nebyl omezovací drát při odvíjení z cívky napnutý.




Omezovací drát (1) se ukládá na povrch země, a pokud jsou zde nerovnosti, připevní se k zemi pomocí dalších kolíků (2). Tím se zabrání přeseknutí drátu žacíím nožem.

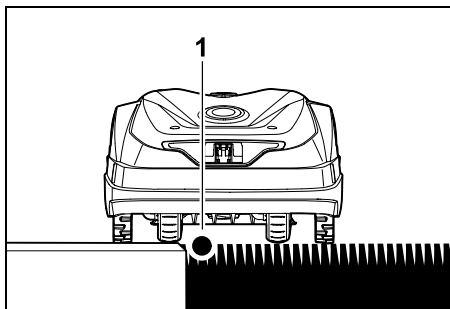
12.4 Připojení omezovacího drátu

- Odpojte síťový konektor a sejměte kryt z dobíjecí stanice.




- Vložte omezovací drát do kabelových vedení na základové desce, provlékněte jej podstavcem, odizolujte konce a připojte je k dobíjecí stanici. Dodržujte pokyny uvedené v kapitole „První instalace“. (⇒ 9.10)
- Na dobíjecí stanici nasadte kryt a připojte síťový konektor. 
- Zkontrolujte signál drátu. (⇒ 9.11)
- Zkontrolujte připojení k dobíjecí stanici. (⇒ 15.6)
V případě potřeby upravte polohu omezovacího drátu v rámci dobíjecí stanice.

12.5 Vzdálenost drátu – použití pravítka iMOW®

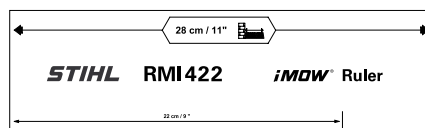


Podél sjízdných překážek, jako jsou terasy nebo některé cesty, lze omezovací drát (1) uložit **bez odstupu**. Robotická sekačka v takovém případě vyjede zadním kolem mimo sečenou plochu.
Maximální výška nerovnosti k travnímu drnu: **+/- 1 cm**

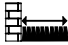
 Při péči o hranu trávníku dbejte na to, aby nedošlo k poškození omezovacího drátu. V případě potřeby položte omezovací drát v určité vzdálenosti (28 cm) od hrany trávníku.

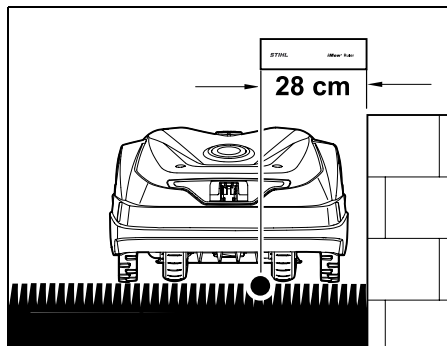
Měření vzdálenosti mezi dráty pravítkem iMOW®:

Aby byl omezovací drát uložen ve správné vzdálenosti od okraje trávníku a překážek, použijte při měření vzdálenosti pravítko iMOW®.



Vysoká překážka:

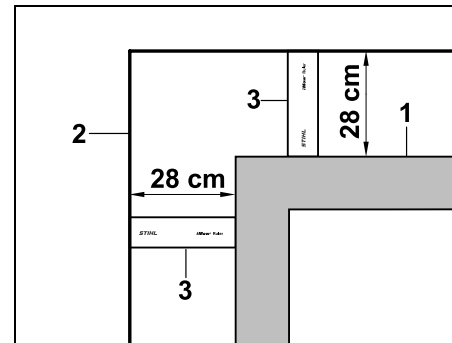
Vzdálenost mezi vysokou překážkou a omezovacím drátem. 



Robotická sekačka se musí pohybovat zcela uvnitř sečené plochy a nesmí se dotknout překážky.

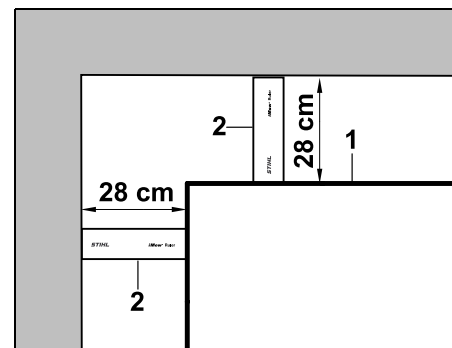
Díky vzdálenosti 28 cm projede robotická sekačka podél omezovacího drátu v rohu kolem vysoké překážky, aniž by do ní narazila.

Uložení drátu kolem vysokých překážek:



Při pokládání drátu okolo vysokých překážek (1), jako jsou např. rohy zdí nebo vyvýšené záhony, musí být v rozích přesně dodržena vzdálenost drátu, aby robotická sekačka do překážky nenarazila. Omezovací drát (2) uložte pomocí pravítka iMOW® (3), jak je zobrazeno na obrázku.

Vzdálenost drátu: 28 cm

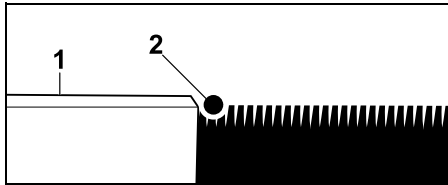


Při pokládání omezovacího drátu (1) kolem vnitřního rohu vysoké překážky odměřte vzdálenost drátu pomocí pravítka iMOW® (2).

Vzdálenost drátu: 28 cm

Měření výšky překážek:

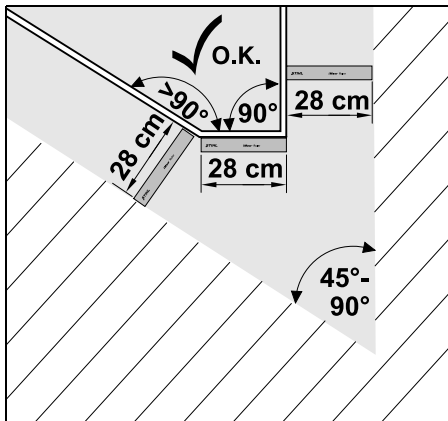
Robotická sekačka dokáže přejít přilehlé plochy, jako například cestičky, pokud výška nerovnosti nepřesahuje **+/- 1 cm**.



Výškový rozdíl vůči zdolatelné překážce (1) je menší než +/- 1 cm: Omezovací drát (2) položte bez odstupeu od překážky.

i V případě potřeby nastavte výšku sečení tak, aby žací ústrojí robotické sekačky nepřišlo s překážkou do kontaktu. Pokud je nastavena nejmenší výška sečení, může robotická sekačka překonat pouze nižší nerovnosti, než bylo zadáno.

12.6 Rohy s ostrým úhlem



Pokud okraje trávníku vybíhají do ostrých úhlů (45° – 90°), je třeba omezovací drát uložit podle vyobrazení. Aby mohla robotická sekačka jet podél okraje, musí mít oba úhly vzdálenost minimálně **28 cm**.

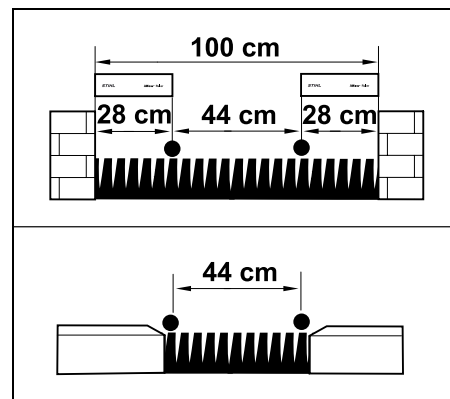
Rohy s úhlem menším než 45°, se do vedení drátu nezahrnují.

12.7 Úzká místa

i Pokud se na ploše nachází úzká místa, vypněte funkci odsazení od okraje (koridor) (⇒ 11.13) nebo nainstalujte vyhledávací smyčky. (⇒ 12.12)

Robotická sekačka vjede do úzkých míst automaticky, pokud je dodržena minimální vzdálenost drátu. Užší oblasti sečené plochy je třeba ohraničit omezovacím drátem.

Pokud jsou dvě sečené plochy propojeny úzkou oblastí, do které může stroj bez problémů vjet, je možné nainstalovat úzký průchod. (⇒ 12.11)



Minimální vzdálenost drátů je **44 cm**.

Proto je třeba v **úzkých místech** zajistit následující vzdálenosti:

- mezi vysokými překážkami s výškou nad +/- 1 cm, jako jsou zdi: **100 cm**,
- mezi sousedními sjízdňnými plochami s výškou nerovnosti nepřesahující +/- 1 cm, jako jsou například chodníčky: **44 cm**.

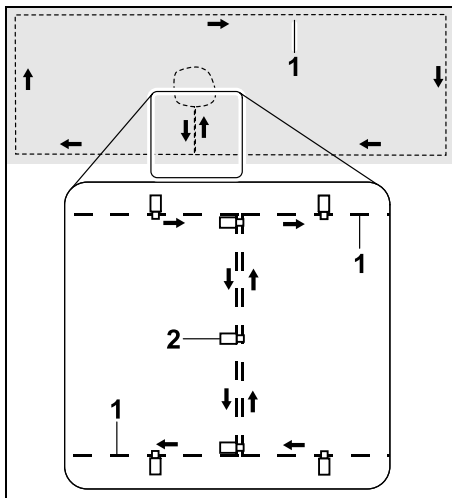
12.8 Instalace propojovacích cestiček

Robotická sekačka ignoruje signál omezovacího drátu v případě, že jsou jeho části položeny paralelně blízko sebe. Propojovací cestičky je nutné vytvořit k propojení:

- vedlejších ploch, (⇒ 12.10)
- uzavřených ploch. (⇒ 12.9)

i Společnost STIHL doporučuje, abyste propojovací cestičky z omezovacího drátu nainstalovali současně při vytyčení uzavřených nebo vedlejších ploch.

Při dodatečné instalaci byste museli přerušit smyčku drátu a propojovací cestičky začlenit do vytyčení pomocí dodaných elektrických konektorů. (⇒ 12.16)



Při instalaci propojovacích cestiček uložte části omezovacího drátu (1) paralelně blízko sebe tak, aby se nekřížily. Propojovací cestičku připevněte pomocí dostatečného počtu kolíků (2) k zemi.

12.9 Uzavřené plochy

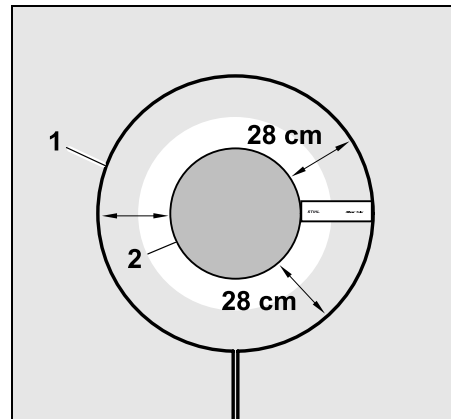
Instalace uzavřených ploch je nutná:

- kolem překážek, kterých se robotická sekačka nesmí dotknout;
- kolem překážek, které nejsou dostatečně stabilní;
- kolem překážek, které jsou příliš nízké. Minimální výška: 8 cm

Společnost STIHL doporučuje

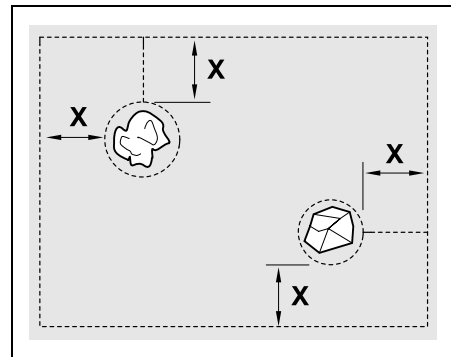
- překážky buď odstranit, nebo vymežit pomocí uzavřených ploch;
- po první instalaci, případně po změně uložení drátu provést kontrolu uzavřených ploch pomocí příkazu „Test okraje“. (⇒ 11.13)

Vzdálenost při pokládání omezovacího drátu kolem uzavřené plochy: **28 cm**



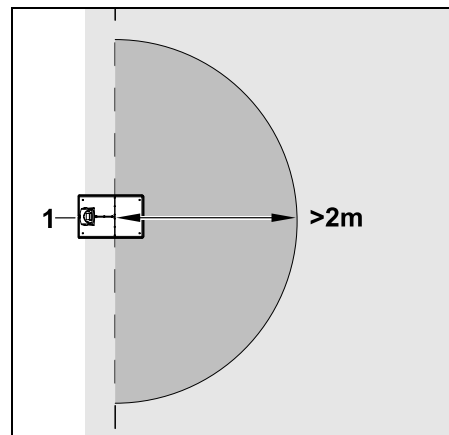
Robotická sekačka projede podél omezovacího drátu (1), aniž by narazila do překážky (2).

K zajištění výkonného provozu musí mít uzavřené plochy obecně kruhový tvar a nesmí být oválné, hranaté nebo vyklenuté dovnitř.

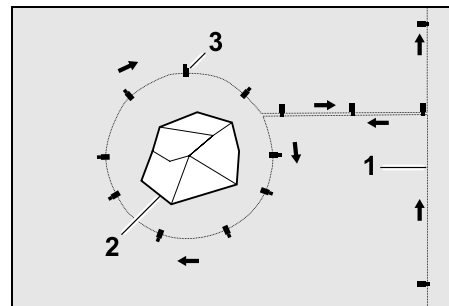


Uzavřené plochy musí mít **minimální průměr 56 cm**.
Vzdálenost **od obvodové smyčky (X)** musí být větší než 44 cm.

i Doporučení:
Uzavřené plochy musí mít maximální průměr 2 - 3 m.



Z důvodu zajištění spolehlivého připojení k dobíjecí stanici (1) se ve vzdálenosti nejméně **2 m** od stanice nesmí nacházet žádná uzavřená plocha.

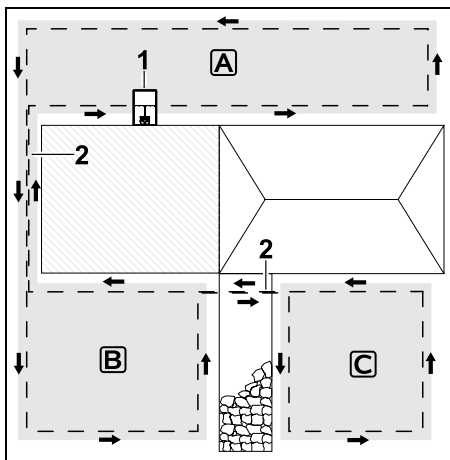


Vedte omezovací drát (1) od okraje sečené plochy k překážce, uložte jej ve správné vzdálenosti (použijte pravítko iRuler) kolem překážky (2) a připevněte k zemi pomocí dostatečného počtu kolíků (3). Následně vedte omezovací drát zpět k okraji sečené plochy.

Zajistěte, aby části omezovacího drátu mezi překážkou a obvodem vedly **rovnoběžně vedle sebe**. Přitom je důležité, aby byl dodržen směr uložení drátu okolo uzavřené plochy (⇒ 12.8).

12.10 Vedlejší plochy

Vedlejší plochy jsou části sečené plochy, které robotická sekačka nedokáže **zcela automaticky** posekat, protože k nim nemá přístup. Tímto způsobem lze vytyčit několik oddělených sečených ploch pomocí jednoho omezovacího drátu. Robotickou sekačku musíte ručně přenést z jedné sečené plochy na druhou. Etapu sečení spustíte v nabídce „Start“ (⇒ 11.5).



Dobíjecí stanice (1) je na sečené ploše **A**, která je sečena zcela automaticky podle vyřínacího plánu.

Vedlejší plochy **B** a **C** jsou spojeny propojovacími cestičkami (2) se sečenou plochou **A**. Omezovací drát musí být na všech plochách každopádně uložen ve stejném směru – zajistěte, aby se omezovací drát na propojovacích cestičkách nekřížil.

- Aktivujte vedlejší plochy v nabídce „Více – Nastavení – Instalace“. (⇒ 11.13)

12.11 Úzké průchody

Pokud je třeba upravovat několik sečených ploch (např. sečené plochy před a za domem), je možné plochy propojit úzkým průchodem. Všechny sečené plochy tak bude možné sekat **automaticky**.

i V úzkých průchodech je trávník sečen pouze při objíždění omezovacího drátu. V případě potřeby aktivujte automatické sečení u okraje nebo trávu v úzkém průchodu pravidelně seče manuálně. (⇒ 11.13)

Pokud se na ploše nachází úzké průchody, vypněte funkci odsazení od okraje (koridor) (⇒ 11.13) nebo nainstalujte vyhledávací smyčky. (⇒ 12.12)

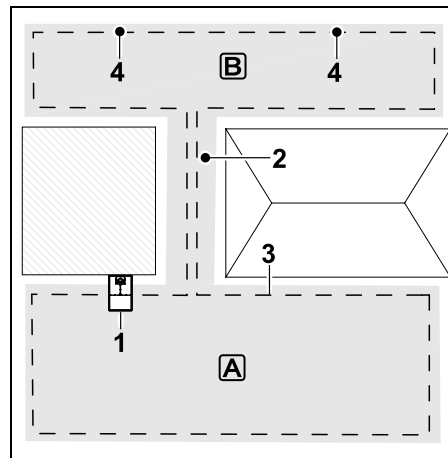
Uvedené vzdálenosti drátu a šablona pro úzké průchody jsou nastaveny na pokládání omezovacího drátu na povrch trávniku. Pokud je omezovací drát uložen velmi hluboko, např. pod kamennou dlažbou, mohou se rozměry lišit. Zkontrolujte funkci a v případě nutnosti upravte uložení drátu.

Předpoklady:

- **Minimální šířka** mezi pevnými překážkami v oblasti úzkého průchodu musí být 88 cm, mezi sjízdnými cestičkami 22 cm.

i V delších úzkých průchodech je nutné v závislosti na vlastnostech půdy počítat s mírným nárůstem potřebného místa. Delší úzké průchody vytvářejte pokud možno uprostřed mezi překážkami.

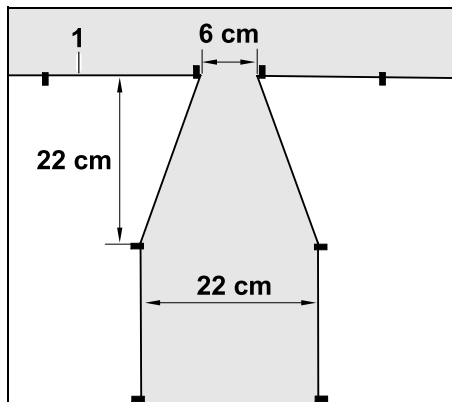
- Úzký průchod je volně sjízdňný.
- V oblasti druhé sečené plochy je třeba definovat nejméně 1 **výchozí bod**. (⇒ 11.14)



Dobíjecí stanice (1) je nainstalovaná na sečené ploše **A**. Sečená plocha **B** je propojená se sečenou plochou **A** úzkým průchodem (2). Robotická sekačka může jet podél omezovacího drátu (3). Aby bylo možné posekat sečenou plochu **B**, je třeba definovat výchozí body (4). (⇒ 11.14)

Jednotlivé etapy sečení pak začnou v závislosti na nastavení (četnosti startů) u příslušných výchozích bodů.

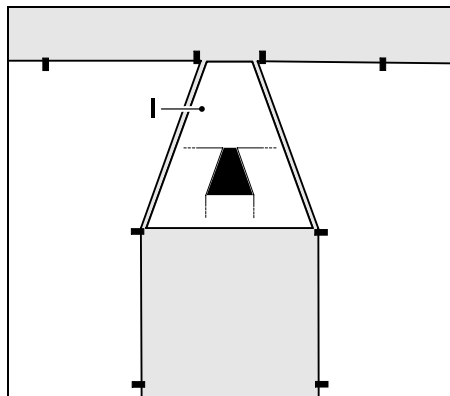
Vytvoření začátku a konce úzkého průchodu:



Na začátku a na konci úzkého průchodu je nutné položit omezovací drát (1) do tvaru trychtýře (viz obrázek). Tím zamezíte tomu, aby robotická sekačka během etapy sečení omylem vjela do úzkého průchodu.

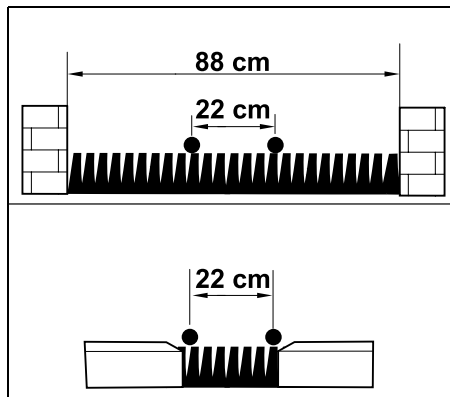
i Rozměry závisí na okolních a terénních podmínkách. U úzkých průchodů se začátkem, popř. koncem ve tvaru trychtýře je vždy nutné zkontrolovat, zda robotická sekačka může projíždět také těmito průchody.

Omezovací drát uložte po levé a pravé straně vjezdu do úzkého průchodu přímo asi na délku stroje.



K vytvoření nálevkovitého nájezdu a výjezdu lze použít také dodanou šablonu pro úzké průchody (I).

Vytvoření úzkého průchodu:

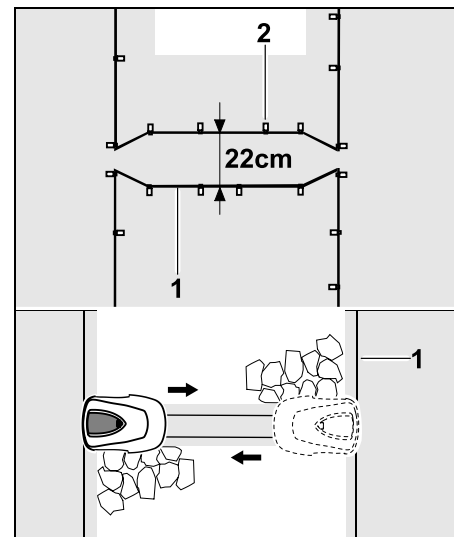


Vzdálenost mezi dráty v úzkých průchodech: **22 cm**

Proto je třeba zajistit následující vzdálenosti:

- mezi vysokými překážkami (vyšší než 1 cm – např. zdi):
88 cm,

- mezi chodníčky nebo sjízdňnými překážkami (s výškou do 1 cm – např. cestičky):
22 cm.



V úzkých průchodech je třeba uložit omezovací drát (1) paralelně a připevnit jej k zemi pomocí dostatečného počtu kolíků (2). Na začátku a na konci úzkého průchodu je třeba vytvořit nájezd a výjezd ve tvaru trychtýře.

12.12 Vyhledávací smyčky pro funkci odsazení od okraje při návratu domů

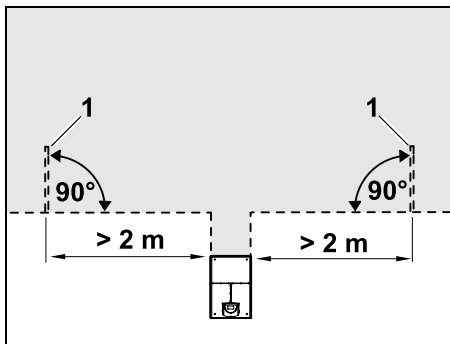
Pokud je zapnutá funkce odsazení od okraje při návratu domů, je nutné stanovit vyhledávací smyčky za předpokladu,

- že byla dobíjecí stanice instalována mimo sečenou plochu
- nebo
- že se na sečené ploše nacházejí úzké průchody nebo úzká místa.

Princip funkce:

Když se robotická sekačka pohybuje v určité vzdálenosti od omezovacího drátu směrem dovnitř, pak přejíždí během návratu do dobíjecí stanice některou z vyhledávacích smyček. Poté se vydá k omezovacímu drátu a dále k dobíjecí stanici.

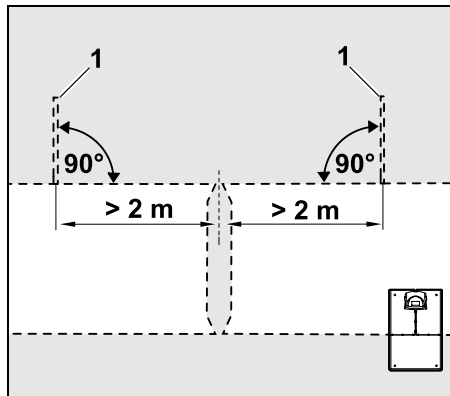
Vyhledávací smyčky u dobíjecí stanice mimo sečenou plochu:



Vlevo a vpravo vedle přístupu k dobíjecí stanici nacházející se mimo sečenou plochu je třeba v úhlu 90° k omezovacímu drátu nainstalovat dvě vyhledávací smyčky (1).

Minimální vzdálenost od přístupu: 2 m

Vyhledávací smyčky u úzkých průchoďů:



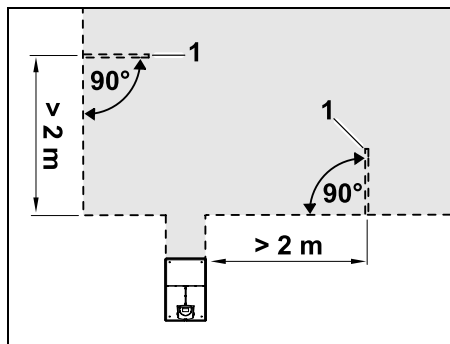
Vlevo a vpravo vedle vjezdu do úzkého průchoďu je třeba v úhlu 90° k omezovacímu drátu nainstalovat dvě vyhledávací smyčky (1), a to vždy v té části sečené plochy, do které lze vjet pouze jedním úzkým průchoďem.

Minimální vzdálenost od vjezdu do úzkého průchoďu: 2 m

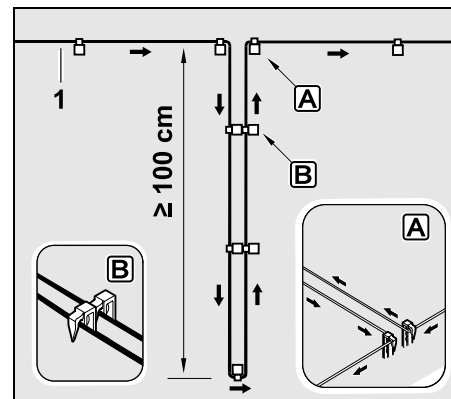


Pokud se za sebou nachází více úzkých průchoďů, je nutné vyhledávací smyčky nainstalovat do každé příslušné sečené plochy.

Instalace vyhledávací smyčky:



Vyhledávací smyčky nesmí být nainstalovány v blízkosti rohů. Minimální vzdálenost od rohů: 2 m



Podle obrázku nainstalujte vyhledávací smyčku do sečené plochy. Omezovací drát (1) musí být na okraji **A** připevněn dvěma kolíky k zemi a nesmí se křížit.

Minimální délka: 100 cm

Uložení drátu kolíkem ke kolíku **B**

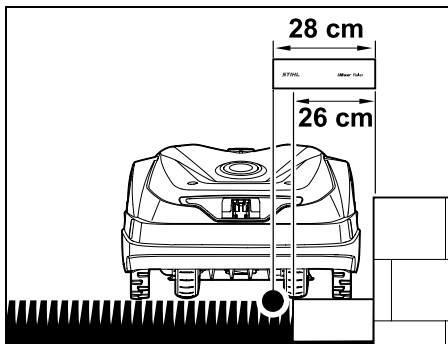
- Vyhledávací smyčku připevněte k zemi dostatečným počtem kolíků.

12.13 Přesné sečení na hranách



Kolem vysokých překážek vzniká až 26 cm široký pás neposečené trávy. V případě potřeby je možné kolem vysokých překážek položit obrubníky.

Minimální šířka obrubníku:



Omezovací drát položte ve vzdálenosti 28 cm od překážky. Aby byla hrana trávníku dobře posečena, musí být obrubníky široké alespoň 26 cm. Pokud položíte širší obrubníky, poseče se hrana trávníku ještě přesněji.

12.14 Svažující se terén podél omezovacího drátu



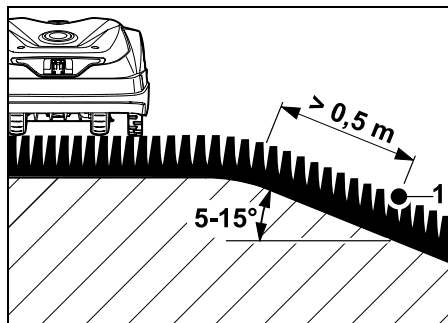
Upozornění:

K zajištění dobré instalace doporučujeme ukládat omezovací drát maximálně ve sklonu 10° (17 %). Drát je možné ukládat se sklonem až 15° (27 %), může to však výrazně zvýšit náročnost a nutnost úprav uložení drátu. Také stoupání a klesání terénu je nutné zaznačit do nákresu zahrady.

Aby robotická sekačka dokázala automaticky a bez potíží posekat i místa na sečené ploše s terénními zlomy (až do sklonu 15°), je nutné při pokládání omezovacího drátu ve svahu dodržet minimální vzdálenosti od terénního zlomu.

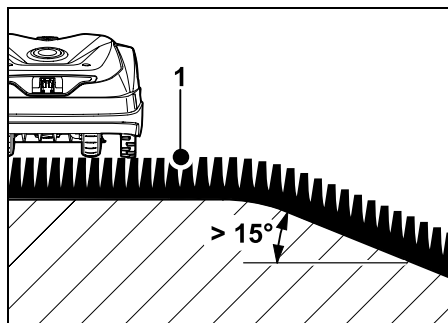
U vodních ploch a míst, kde může dojít k pádu, jako jsou hrany a výstupky, je nutné dodržet vzdálenost minimálně **100 cm**.

Svah se sklonem 5° - 15°:



Pokud se sečená plocha nachází v místě se sklonem do 5° - 15°, pak lze omezovací drát položit na svažující se plochu pod terénní zlom, jak je zobrazeno na obrázku. K bezporuchovému provozu robotické sekačky je zapotřebí dodržet minimální vzdálenost 0,5 m mezi omezovacím drátem a terénním zlomem.

Svah se sklonem > 15°:

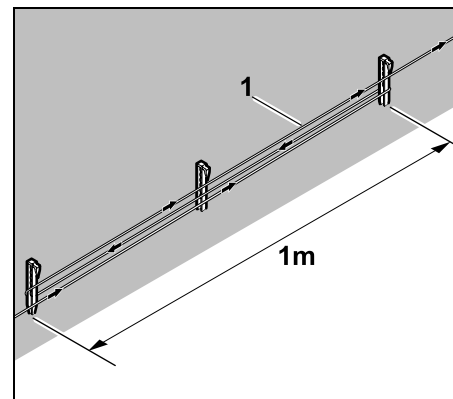


Pokud se sečená plocha nachází v místě se sklonem větším než 15° a je nutné zde uložit omezovací drát, doporučujeme umístit omezovací drát (1) na rovnou plochu před terénní zlom, jak je zobrazeno na obrázku. V místě terénního zlomu a na svahu pod ním nebude tráva posečena.

12.15 Instalace rezervy drátu

Rezervy drátu, instalované v pravidelných vzdálenostech, usnadňují pozdější potřebné úpravy, například umístění dobíjecí stanice nebo průběh omezovacího drátu.

Rezervy drátů musejí být instalovány především v blízkosti náročnějších pasáží.

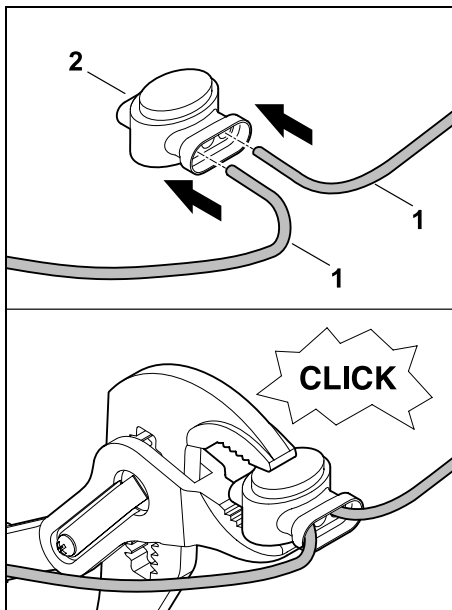


Umístěte omezovací drát (1) v délce cca 1 m mezi 2 kolíky tak, jak je vidět na obrázku. Rezervu drátu upevněte uprostřed k zemi dalším kolíkem.

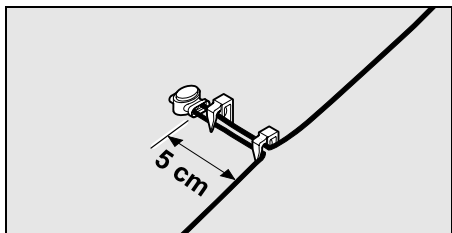
12.16 Použití elektrických konektorů

K prodloužení omezovacího drátu nebo propojení jeho volných konců používejte výhradně elektrické konektory naplněné gelem, které jsou dostupné jako příslušenství. Brání předčasnému opotřebenému drátu (např. vzniku koroze na jeho koncích) a zaručují optimální spojení.

Polohu elektrických konektorů zaneste do nákresu sečené plochy. (⇒ 12.2)



Zasuňte volné, neodizolované konce drátu (1) až na doraz do elektrického konektoru (2). Elektrický konektor secvakněte vhodnými kleštěmi – dbejte na to, aby správně zacvakl.



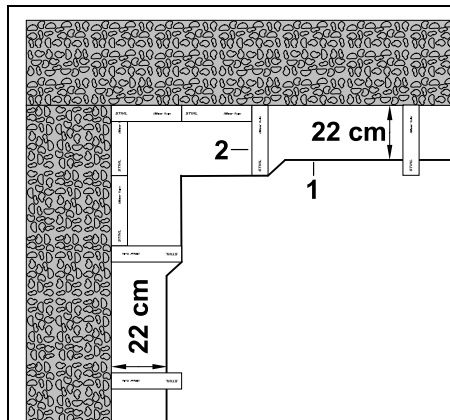
Z důvodu odlehčení tahu kabelu připevněte omezovací drát k zemi dvěma kolíky.

12.17 Těsné vzdálenosti od okrajů

Na přímé trase bez rohů je možné snížit vzdálenost drátu od vysoké překážky na **22 cm**. To umožňuje poséct větší plochy. Při objíždění okraje (⇒ 9.12), (⇒ 11.13) je nutné dodržovat dostatečnou vzdálenost (min. 5 cm) mezi robotickou sekačkou a překážkami. V případě potřeby vzdálenost drátu od překážek zvětšete.

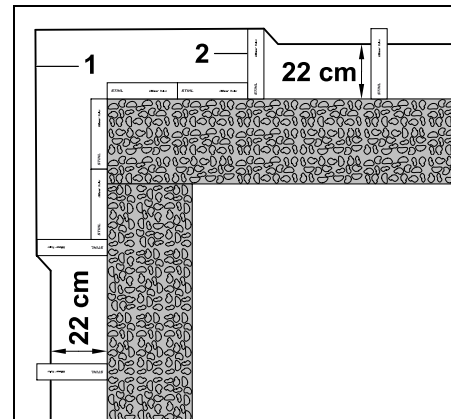
i Těsné vzdálenosti od okrajů je bezpodmínečně nutné zaznačit do nákresu zahrady. (⇒ 12.2)

Těsné vzdálenosti kolem vnitřního rohu:



Omezovací drát (1) uložte ve vnitřním rohu podle zobrazení na obrázku. Použijte pravítko iMOW® (2).

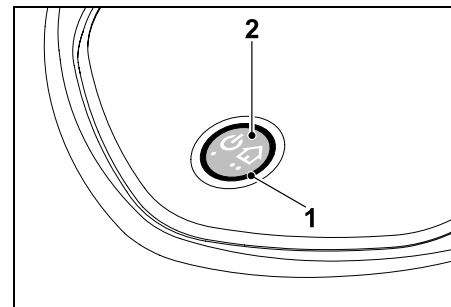
Těsné vzdálenosti kolem vnějšího rohu:



Omezovací drát (1) uložte kolem vnějšího rohu podle zobrazení na obrázku. Použijte pravítko iMOW® (2).

13. Dobíjecí stanice

13.1 Ovládací prvky dobíjecí stanice



Červená kruhová kontrolka (1) informuje o stavu dobíjecí stanice a signálu drátu.

Funkce tlačítka (2):

- zapnutí/vypnutí dobíjecí stanice,

- aktivace volání,
- aktivace hledání lomu drátu.

Kontrolka LED nesvítí:

- dobíjecí stanice a signál drátu jsou vypnuty.

Kontrolka svítí nepřetržitě:

- Dobíjecí stanice a signál drátu jsou zapnuty.
- Robotická sekačka se nenachází v dobíjecí stanici.

Kontrolka LED pomalu bliká (2 sekundy svítí, krátce nesvítí):

- Robotická sekačka je připojená k dobíjecí stanici, akumulátor se v případě potřeby nabíjí.
- Dobíjecí stanice a signál drátu jsou zapnuty.

Kontrolka LED bliká rychle:

- Omezovací drát je přerušen nebo není správně připojen k dobíjecí stanici. (⇒ 16.6)

Kontrolka svítí 3 sekundy, poté 1 sekundu nesvítí:

- Bylo aktivováno přivolání domů.

Kontrolka LED bliká 3krát krátce, 3krát dlouze, 3krát krátce a poté cca 5 sekund nesvítí (signál SOS):

- Závada v dobíjecí stanici.

Zapnutí a vypnutí dobíjecí stanici:

V automatickém režimu se dobíjecí stanice zapíná a vypíná automaticky.



Pokud není robotická sekačka v dobíjecí stanici, **krátkým stisknutím tlačítka** dobíjecí stanici aktivujete. Signál drátu

zůstane aktivní 48 hodin, pokud se robotická sekačka nestihne vrátit do dobíjecí stanice dřívě.

Podržením tlačítka na **2 sekundy** dobíjecí stanici vypnete.

Aktivace volání:

V průběhu etapy sečení dvakrát během dvou sekund krátce stisknete tlačítko.

Robotická sekačka dokončí probíhající úkon sečení, vyhledá omezovací drát a vrátí se zpět do dobíjecí stanice, aby se nabíla. V aktuální aktivní době žádná další etapa sečení neproběhne.



Volání zůstane aktivní, dokud se robotická sekačka nepřipojí k dobíjecí stanici. Opětovným dvojitým stisknutím tlačítka na dobíjecí stanici můžete volání ukončit.



Vzhled posečené plochy bude upravenější, jsou-li řezné nože správně naostřené. Z toho důvodu je nutno je pravidelně vyměňovat.

14.2 Mulčování

Robotická sekačka je mulčovací sekačkou.

Při mulčování jsou posečená stébla trávy dále rozmělněna ve skřini žacího ústrojí. Poté spadnou zpět na travní drn, kde zůstanou ležet a zetlejí.

Najemno posečená hmota vrací zpět do půdy organické živiny, a slouží tak jako přírodní hnojivo. Výrazně se tak snižuje potřeba používat umělá hnojiva.

14.3 Aktivní doby

U typu vyžínacího plánu „Standardní“ robotická sekačka seče během celé aktivní doby, přičemž sečení je přerušováno pouze dobíjením.

U typu vyžínacího plánu „Dynamický“ může robotická sekačka během aktivních dob kdykoli opustit dobíjecí stanici a začít sekat travu. V této době tedy probíhají etapy **sečení, dobíjení a klidové fáze**. Robotická sekačka automaticky rozdělí dostupné časové intervaly na etapy sečení a dobíjení.

Při instalaci se stanovením aktivní doby dojde k automatickému rozložení na celý týden. Zohledněny jsou také časové rezervy – tím je zaručena optimální údržba trávníků, přestože některé etapy sečení neproběhnou (např. kvůli dešti).

14. Pokyny pro sečení

14.1 Všeobecné informace

Robotická sekačka je koncipována k automatickému sekání travnatých ploch. Tráva je díky průběžné úpravě nízká. Výsledkem je pěkný a hustý trávník.

Plochy trávníku, které nebyly předem upraveny pomocí běžné sekačky na travu, budou vypadat upraveně až po několika etapách sečení. Především u vyšší trávy tedy dosáhnete upraveného vzhledu posečené plochy teprve po několika sečeních.

Za horkého a suchého počasí nesečte trávník příliš nakrátko, protože jinak v něm slunce vypálí nevzhledné plochy.



Zajistěte, aby v aktivních dobách nevstupovaly do oblasti pracovní zóny nepovolané osoby. Aktivní doby odpovídajícím způsobem upravte.

Dodržujte mimo to také místní platná nařízení upravující používání robotických sekaček, pokyny uvedené v kapitole „Pro vaši bezpečnost“ (⇒ 6.1) a aktivní doby v případě potřeby upravte v nabídce „Vyžínací plán“. (⇒ 11.7) Zejména si u příslušného úřadu zjistěte, v jaké denní a noční době můžete stroj používat.

14.4 Doba sečení

Doba sečení udává, kolik hodin týdně se má trávník sekat. Můžete ji prodloužit nebo zkrátit. (⇒ 11.7)

Doba sečení je doba, po kterou robotická sekačka seče trávu. Doba sečení nezahrnuje dobu nabíjení akumulátoru.

Při první instalaci robotická sekačka automaticky vypočítá dobu sečení na základě zadané velikosti sečené plochy. Tato hodnota se vztahuje k normální suché trávě.

Plošný výkon:

Na 100 m² potřebuje robotická sekačka v průměru 100 minut.

14.5 Domov. oblast

Robotická sekačka pomocí zabudovaného přijímače GPS rozpozná své stanoviště. Při každém objíždění okraje ke kontrole správného vedení drátu (⇒ 9.12) a při určení výchozích bodů (⇒ 11.14)

robotická sekačka uloží souřadnice západního, východního, jižního a severního bodu.

Tato plocha je definována jako domovská oblast, zde se smí používat robotická sekačka. Při každém opakování objíždění okraje jsou aktualizovány souřadnice.

V případě aktivované **ochrany GPS** je majitel stroje vyzooměn o tom, že je stroj uváděn do provozu mimo domovskou oblast. Kromě toho se na displeji robotické sekačky zobrazí výzva k zadání kódu PIN.

15. Uvedení stroje do provozu

15.1 Příprava



Při **první instalaci** postupujte podle pokynů uvedených v instalační příručce. (⇒ 9.)



Robotická sekačka se musí nabíjet a provozovat při teplotě okolí od +5 °C do +40 °C.

- Instalace dobíjecí stanice (⇒ 9.8)
- Uložte omezovací drát (⇒ 9.9) a připojte ho (⇒ 9.10).
- Odstraňte ze sečené plochy všechna cizí tělesa (např. hračky, nářadí).
- Nabijte akumulátor (⇒ 15.7).
- Nastavte čas a datum (⇒ 11.10).
- Zkontrolujte a případně upravte vyžínací plán – především je třeba zajistit, aby na sečenou plochu nevstupovaly v aktivních dobách nepovolané osoby. (⇒ 11.7)



Pokud je tráva příliš vysoká, zkrátte ji před použitím robotické sekačky pomocí běžné sekačky na trávu (např. po delší nečinnosti stroje).

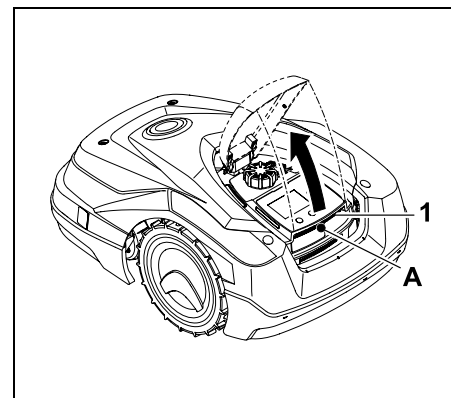
15.2 Kryt

Robotická sekačka je vybavena krytem, který chrání displej před vlivy počasí a stroj před nezáměrným ovládním. Pokud kryt během používání robotické sekačky otevřete, pracovní proces se přeruší a žací nůž i robotická sekačka se zastaví.

Otevření krytu:



Je-li robotická sekačka právě v provozu, je z bezpečnostních důvodů nutné před otevřením krytu stisknout tlačítko Stop.



Uchopte kryt (1) v místě (A) a mírným trhnutím směrem nahoru jej pootevřete. Poté kryt otevřete až na doraz.

i Otevřený kryt lze zatažením směrem nahoru sejmut z stroje. Tato konstrukce zaručuje bezpečnost: Kryt tak není možné použít ke zvedání a přenášení stroje.

Zavření krytu:

Kryt opatrně navedte směrem dolů a zacvakněte jej.

i Robotickou sekačku lze uvést do provozu pouze s řádně zajištěným krytem.

15.3 Úprava naprogramovaných hodnot

Aktuálně naprogramované hodnoty si můžete prohlédnout ve **vyžínacím plánu** popř. v aplikaci **iMOW® App**. (⇒ 11.7)
Vyžínací plán se při instalaci nebo sestavení nového vyžínacího plánu vytvoří na základě zadané velikosti sečené plochy.

Aktivní doby a doby sečení lze individuálně měnit. V případě typu vyžínacího plánu **Standardní** robotická sekačka seče a nabíjí se přesně v rámci stanovených aktivních dob. V případě typu vyžínacího plánu **Dynamický** se požadované etapy sečení automaticky rozdělí na možné aktivní doby. V případě potřeby proběhne během jedné aktivní doby několik etap sečení a nabíjení. Okraj sečené plochy může být sečen automaticky v pravidelných intervalech. (⇒ 11.13)

Na jeden den můžete stanovit až tři různé aktivní doby. (⇒ 14.3)

Pokud má robotická sekačka cíleně jezdit do určitých oblastí sečené plochy, je třeba definovat konkrétní výchozí body. (⇒ 11.14)

i Pokud je zvolen typ vyžínacího plánu **Dynamický**, může se za určitých okolností (např. za pěkného počasí nebo velkorýsého časového okna) stát, že nebudou k zajištění optimální údržby trávníku využity všechny aktivní doby.

Změna **aktivních dob**: (⇒ 11.7)

- dodatečné aktivní doby pro další etapy sečení,
- úprava časových rozmezí, aby nedocházelo k sečení např. ráno nebo v noci,
- vynechání jednotlivých aktivních dob, během kterých má na sečené ploše proběhnout např. párty.

Prodloužení **doby sečení**: (⇒ 11.7)

- některé oblasti nejsou sečeny dostatečně, např. v důsledku výrazného členění sečené plochy,
- při intenzivním růstu trávy v hlavním růstovém období,
- u obzvláště silných stébel trávy.

Zkrácení **doby sečení**: (⇒ 11.7)

- pomalejší růst trávy v důsledku vysokých nebo nízkých teplot nebo sucha.

Sestavení **nového vyžínacího plánu**: (⇒ 11.7)

- při změně velikosti sečené plochy.

Nová instalace: (⇒ 11.13)

- nové místo uložení dobíjecí stanice,

- první uvedení stroje do provozu na nové sečené ploše.

15.4 Sečení v automatickém režimu

• Zapnout automatiku:
Po zapnutí automatiky se na displeji zobrazí vedle symbolu akumulátoru symbol automatického režimu. (⇒ 11.7)



• **Zahájení etap sečení**:
V případě typu vyžínacího plánu **Standard** robotická sekačka vyjíždí na začátku každé aktivní doby, aby posekala trávník.
V případě typu vyžínacího plánu **Dynamický** se etapy sečení automaticky rozdělí v závislosti na aktivních dobách, které jsou v dané situaci k dispozici. (⇒ 14.3)

• **Ukončení etap sečení**:
Jakmile je akumulátor vybitý, robotická sekačka se automaticky vrátí zpět do dobíjecí stanice. (⇒ 15.6)
Stisknutím **tlačítka STOP** nebo v nabídce „**Návrat domů**“ lze probíhající etapu sečení kdykoli manuálně ukončit. (⇒ 5.1)
Stejně tak probíhající etapu sečení okamžitě ukončíte aktivací funkce **volání** na dobíjecí stanici. (⇒ 13.1)
Etapa sečení může být navíc ukončena pomocí aplikace – pošlete robotickou sekačku do dobíjecí stanice. (⇒ 10.)


i Sečené plochy, do kterých robotická sekačka vjíždí přes **úzký průchod**, budou udržovány, pouze pokud v nich zadáte výchozí body.

15.5 Sečení nezávislé na aktivních dobách

- Stisknutím tlačítka aktivujete robotickou sekačku připojenou k dobíjecí stanici. Tím se zapne také samotná dobíjecí stanice.

Sečené plochy s dobíjecí stanicí:


- Okamžité sečení:
Vyvolejte příkaz **Spustit sečení** (⇒ 11.5).
Etapa sečení se zahájí okamžitě a trvá do zvoleného času. Můžete zvolit výchozí bod, pokud je k dispozici.
- Zahajte sečení pomocí aplikace. (⇒ 10.)
Etapa sečení se zahájí ve stanovený čas spuštění a trvá do zvoleného času konce sečení. Můžete zvolit výchozí bod, pokud je k dispozici.
- Ukončení sečení ručně:
Aktuální etapu sečení můžete kdykoli ukončit stisknutím **tlačítka STOP** nebo v nabídce zvolte „Návrat domů“ (⇒ 11.6). (⇒ 5.1)
Stejně tak probíhající etapu sečení okamžitě ukončíte aktivací funkce **volání** na dobíjecí stanici. (⇒ 13.1)
Etapa sečení může být navíc ukončena pomocí aplikace – pošlete robotickou sekačku do dobíjecí stanice. (⇒ 10.)

 V případě potřeby dobije robotická sekačka akumulátor v mezičase a následně bude v sečení pokračovat do stanovené doby konce sečení.

Vedlejší plochy:

- Aktivujte robotickou sekačku na kolech nacházející se v dobíjecí stanici. Tím se aktivuje také samotná dobíjecí stanice.

- Přeneste robotickou sekačku na vedlejší plochu.
- Aktivujte vedlejší plochu. (⇒ 12.10)
- Okamžité sečení:
Vyvolejte příkaz **Spustit sečení** (⇒ 11.5).
Etapa sečení se zahájí okamžitě a trvá do zvoleného času.
- Ukončení sečení:
Při dosažení zvolené doby konce sečení robotická sekačka pojedě k omezovacímu drátu a zůstane stát. Umístěte stroj do dobíjecí stanice, aby se nabil akumulátor, a potvrďte zobrazené hlášení. (⇒ 24.)
Aktuální etapu sečení můžete kdykoli ručně ukončit stisknutím **tlačítka STOP**. (⇒ 5.1)



 Dojde-li k vybití akumulátoru před zvoleným časem konce sečení, etapa sečení se o odpovídající dobu zkrátí.

15.6 Připojení robotické sekačky k dobíjecí stanici


Připojení stroje k dobíjecí stanici v automatickém režimu:

Když se blíží konec aktivní doby nebo je akumulátor vybitý, robotická sekačka se automaticky vrátí zpět do dobíjecí stanice.

Odeslání stroje k dobíjecí stanici:

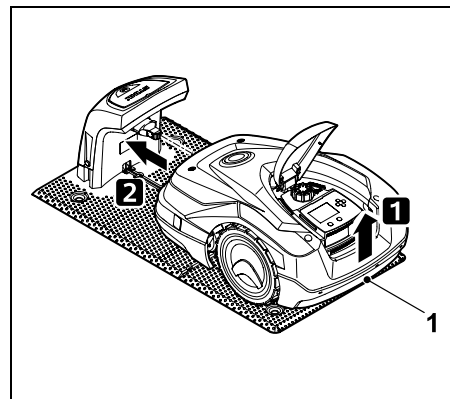
- V případě potřeby zapněte dobíjecí stanici. (⇒ 13.1) 
- Aktivujte návrat do dobíjecí stanice. (⇒ 11.6) 
Během etapy sečení můžete rovněž na dobíjecí stanici aktivovat funkci **volání**.

- Robotickou sekačku lze poslat do dobíjecí stanice také pomocí aplikace. (⇒ 10.)

 V aktuální aktivní době po návratu stroje do dobíjecí stanice žádná další etapa sečení neproběhne.


Manuální připojení stroje k dobíjecí stanici:

- Vsuňte robotickou sekačku ručně do dobíjecí stanice.



Mírným nadzvednutím robotické sekačky za držadlo pro nošení (1) uvolníte hnací kola. Přesuňte stroj na předních kolech do dobíjecí stanice.

15.7 Nabít akumulátor

 Akumulátor nabíjete výhradně pomocí dobíjecí stanice. Akumulátor nikdy nedemontujte a nenabíjete ho externí nabíječkou.

Automatické nabíjení:

Při **sečení** probíhá nabíjení automaticky na konci každé etapy sečení, když se robotická sekačka připojí k dobíjecí stanici.

Ruční spuštění procesu nabíjení:

- Po použití robotické sekačky **na vedlejších plochách** sekačku přeneste zpět na sečenou plochu a připojte ji k dobíjecí stanici. (⇒ 15.6)
- Po **přerušeni etapy sečení** připojte robotickou sekačku k dobíjecí stanici. (⇒ 15.6)
- V případě potřeby ukončíte pohotovostní režim robotické sekačky stisknutím libovolného tlačítka. Proces nabíjení se spustí automaticky.

Proces nabíjení:

Během procesu nabíjení se na **indikátoru stavu** zobrazí hlášení „Akumulátor se nabíjí“.



Ve všech zbývajících nabídkách se v informační oblasti displeje namísto symbolu akumulátoru zobrazí symbol síťového konektoru.



Proces nabíjení trvá různě dlouho a automaticky se přizpůsobuje dalšímu cyklu použití.



Pokud dojde k problému s nabíjením, zobrazí se na displeji odpovídající hlášení. (⇒ 24.)

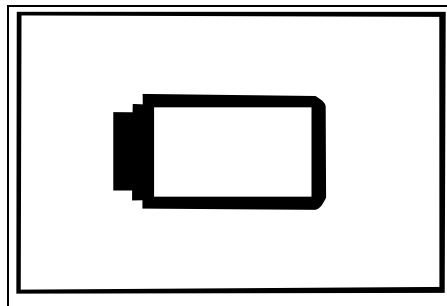
Akumulátor se začne nabíjet, až když hodnota napětí klesne pod určitou mez.

Stav nabití:

Na **indikátoru stavu** lze zvolením příslušného zobrazení zjistit aktuální stav nabití akumulátoru. (⇒ 11.12)



Ve všech zbývajících nabídkách signalizuje **symbol akumulátoru** v informační oblasti displeje stav nabití. (⇒ 11.3)



Je-li stav nabití akumulátoru příliš nízký, zobrazuje se odpovídající symbol akumulátoru.

V takovém případě je robotickou sekačku nutno postavit do dobíjecí stanice, aby se začala nabíjet.

16. Údržba



Nebezpečí úrazu!

Před zahájením všech údržbářských nebo čistících prací na stroji si pečlivě přečtete kapitulu „Pro vaši bezpečnost“ (⇒ 6.), zejména podkapitulu „Údržba a opravy“ (⇒ 6.9) a dodržujte přesné bezpečnostní pokyny.

Před zahájením všech údržbářských nebo čistících prací aktivujte funkci blokování přístroje. (⇒ 5.2)



Před zahájením údržbářských prací odpojte síťový konektor.



Při všech údržbářských pracích, především při pracích na žacím noži, používejte pracovní rukavice.



16.1 Plán údržby

Intervaly údržby se řídí mimo jiné podle provozních hodin. Příslušné počítadlo „Hodiny sečení“ vyvoláte v nabídce „Více – Informace“. (⇒ 11.18)

Předepsané intervaly údržby je nutno přesně dodržovat.

Údržbářské práce ve dny s aktivními dny:

- vizuální kontrola obecného stavu stroje a dobíjecí stanice,
- kontrola zobrazení na displeji – kontrola aktuálního času a startu příští etapy sečení,
- kontrola sečené plochy, v případě potřeby odstranění cizích těles,
- kontrola, zda se dobíjí akumulátor. (⇒ 15.7)

Údržbářské práce, které by měly proběhnout každý týden:

- čištění stroje, (⇒ 16.2)
- vizuální kontrola, zda není poškozený (např. vroubky a praskliny, vylomená místa) nebo opotřeбенý žací nůž nebo žací ústrojí. (⇒ 16.3)

Každých 200 hodin:

- výměna žacího nože. (⇒ 16.3)

Údržbářské práce, které by měly proběhnout jednou ročně:

- Společnost STIHL doporučuje, abyste nechali stroj každý rok během zimních měsíců prohlédnout u odborného prodejce produktů STIHL. V rámci této prohlídky je provedena především údržba akumulátoru, elektroniky a softwaru.

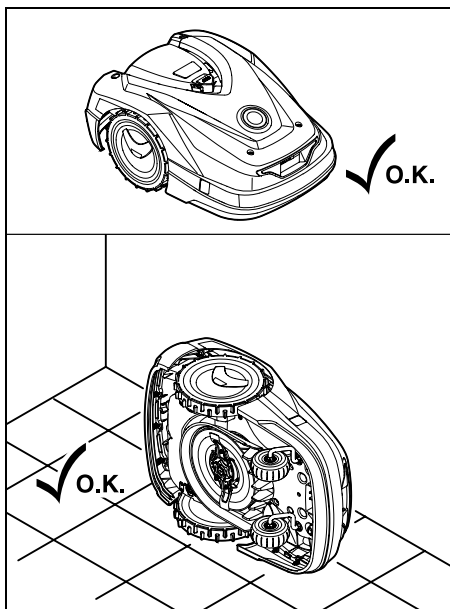
- ! Aby mohl odborný prodejce řádně provést všechny požadované údržbářské práce, nastavte bezpečnostní stupeň „Žádný“ nebo mu sdělte kód PIN, který používáte.

16.2 Čištění stroje

Pečlivé ošetřování chrání stroj před poškozením a prodlužuje jeho životnost.

Poloha stroje při čištění a údržbě:

- ! Před čištěním se ujistěte, že je knoflík správně namontován, jinak může do stroje vniknout voda.



Při čištění **horní části stroje** (kapota, kryt) postavte stroj na vodorovnou plochu s pevným podkladem. Při čištění **dolní části stroje** (žací nůž, žací ústrojí)

překlopte robotickou sekačku na levou nebo pravou stranu, jak je zobrazeno na obrázku, a opřete ji o zeď.

- Nečistoty odstraňte pomocí kartáče nebo hadru. Vyčistěte zejména také žací nůž, nabíjecí kontakty robotické sekačky a dobíjecí stanice.
- Usazené zbytky trávy v žací skříni a v žacím ústrojí předem uvolněte dřevěnou tyčí.
- V případě potřeby použijte speciální čisticí prostředek (např. speciální čisticí prostředek STIHL).
- V pravidelných intervalech demontujte unášecí kotouč a odstraňujte zbytky trávy. (⇒ 16.6)

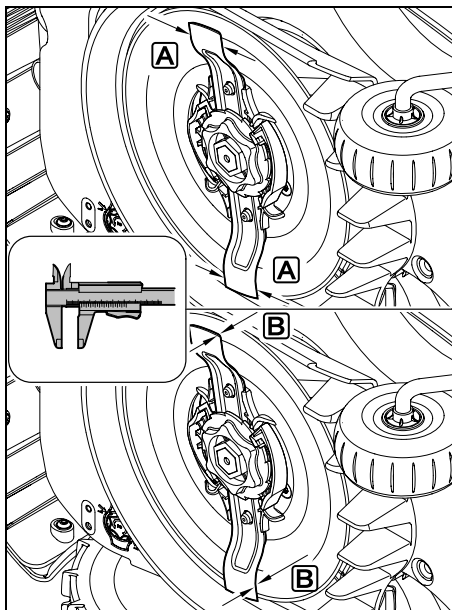
- i Za vlhkého počasí je nutné unášecí kotouč čistit častěji. Nečistoty usazené mezi unášecím kotoučem a skříní žacího ústrojí zvyšují tření, a tím pádem i spotřebu energie.

16.3 Kontrola přípustných hranic opotřebení žacího nože

- ! **Nebezpečí úrazu!** Opotřeбенý žací nůž se může zlomit a způsobit těžká zranění. Z toho důvodu je důležité dodržovat pokyny pro údržbu žacího nože. Žací nože podléhají různě intenzivnímu opotřebení v závislosti na místě použití a na době použití. V případě, že se stroj používá na písčité půdě, příp. často za suchého počasí, dochází k vyššímu namáhání žacích nožů a k jejich nadměrně rychlému opotřebení.


Žací nůž vyměňujte přinejmenším po každých 200 provozních hodinách (nenabrušujte jej). (⇒ 16.5)

- Aktivujte funkci blokování přístroje (⇒ 5.2).
- Robotickou sekačku překlopte na bok a bezpečně ji opřete o stabilní stěnu. Pečlivě vyčistěte žací ústrojí a žací nůž (⇒ 16.2).

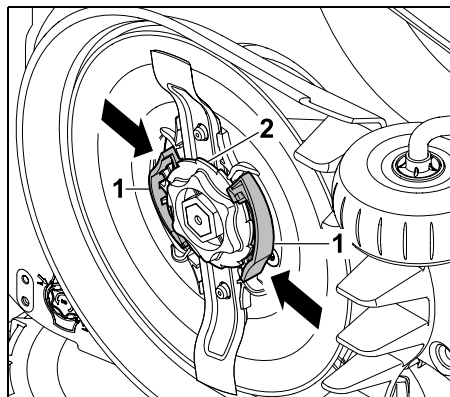


Šířku nože **A** a tloušťku nože **B** zkontrolujte pomocí posuvného měřítka. Jestliže je nůž v některém místě užší než **25 mm** nebo tenčí než **1,3 mm**, musí se vyměnit.

16.4 Demontáž a montáž žacího nože

- Aktivujte funkci blokování přístroje (⇒ 5.2) a nasadte si pracovní rukavice. 
- Robotickou sekačku překlopte na bok a bezpečně ji opřete o stabilní stěnu. Pečlivě vyčistěte žací ústrojí a žací nůž. (⇒ 16.2)

Demontáž žacího nože:



Jednou rukou stlačte a podržte obě západky (1) na unášecím kotouči. Druhou rukou vyšroubujte pojistnou matici (2). Vyjměte současně žací nůž i pojistnou matici.



Montáž žacího nože:

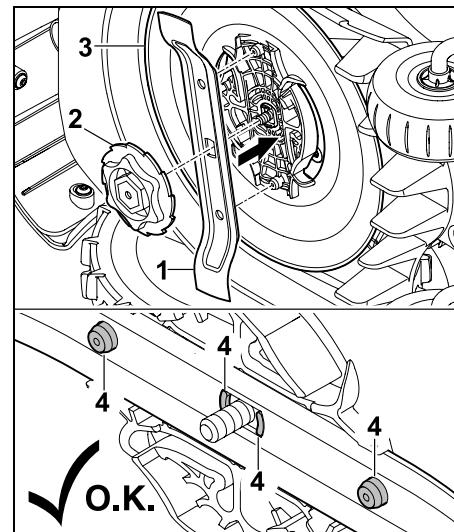


Nebezpečí úrazu!

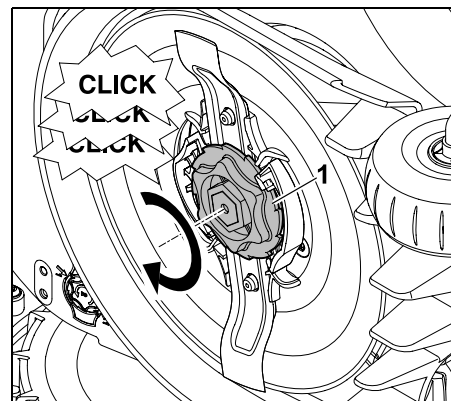
Před každou montáží zkontrolujte, zda není rezný nůž poškozen. Pokud na noži najdete vroubky či praskliny nebo pokud je ostří nože v některém místě užší než 25 mm nebo tenčí než 1,3 mm, je nutné nůž vyměnit. (⇒ 16.3)

V případě poškození (např. zlomení nebo opotřebování) **unášecího kotouče** nebo **pojistné matice** je nutné vyměnit také tyto díly. Pojistná matice musí bez potíží zapadnout do unášecího kotouče.

- Před montáží vyčistěte nůž, unášecí kotouč i pojistnou matici.



Podle znázornění na obrázku nasadte žací nůž (1) a pojistnou matici (2) na unášecí kotouč (3). Dbejte na správnou montážní polohu upevňovacích výstupků (4) v žacím noži.



Pojistnou matici (1) našroubujte až na doraz. Při dotahování matice několikrát cvakne. Mírným pohybem ze strany na stranu ověřte, zda je žací nůž pevně uchycen na místě.

- Po dokončení montáže nového žacího nože potvrdíte v nabídce „Servis“, že byl nůž vyměněn. (⇒ 11.17)

16.5 Ostření žacího nože


Žací nože **nikdy** neostřete.

Společnost STIHL doporučuje **vždy** vyměnit tupý žací nůž za nový.

i Pouze nový žací nůž je vyvážen s požadovanou přesností a zaručuje správnou funkci stroje i nižší hlučnost.

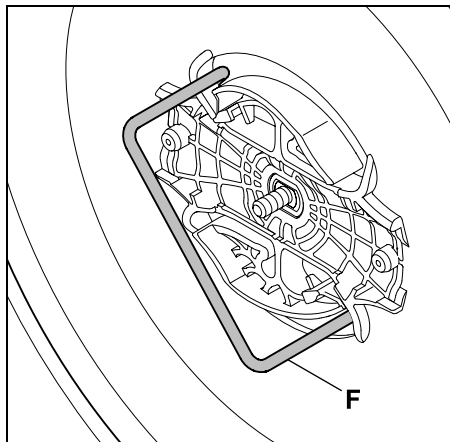
16.6 Demontáž a montáž unášecího kotouče

i Za účelem čištění žacího ústrojí lze demontovat unášecí kotouč.

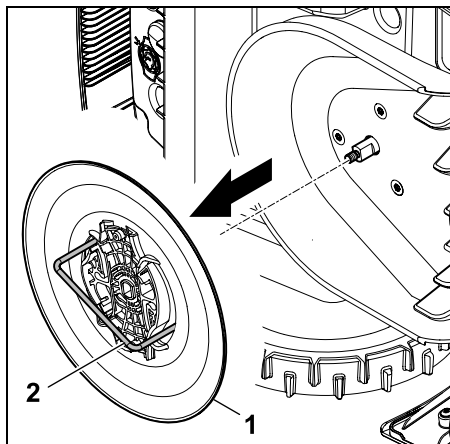
- Aktivujte funkci blokování přístroje (⇒ 5.2) a nasadte si pracovní rukavice. 
- Robotickou sekačku překlopte na bok a bezpečně ji opřete o stabilní stěnu. Pečlivě vyčistěte žací ústrojí a žací nůž. (⇒ 16.2)

Demontáž unášecího kotouče:

- Demontujte žací nůž. (⇒ 16.4)

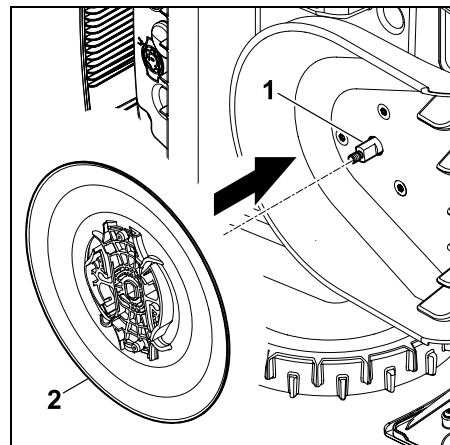


Nasadte stahovák (F) a proti směru hodinových ručiček jím otočte až na doraz.



Stroj jednou rukou podepřete. Zatažením za stahovák (2) vytáhněte unášecí kotouč (1).

Montáž unášecího kotouče:



Důkladně očistěte nožový hřídel (1) a uchycení na unášecím kotouči (2). Unášecí kotouč nasuňte až na doraz na nožový hřídel.

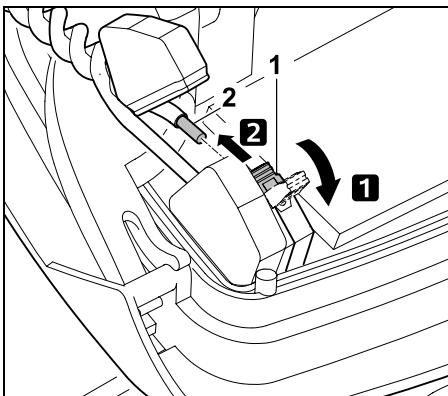
- Namontujte žací nůž. (⇒ 16.4)

16.7 Hledání lomu drátu

i Pokud dojde k přerušení drátu, začne na dobíjecí stanici rychle blikat červená kontrolka. (⇒ 13.1) Na displeji robotické sekačky se zobrazí odpovídající hlášení.

Pokud nedokážete najít přerušené místo podle uvedených pokynů, kontaktujte odborného prodejce.

- Před zahájením hledání zalomení drátu je nutno **jednou** stisknout tlačítko na dobíjecí stanici (kontrolka nadále rychle bliká).
- Sejměte kryt z dobíjecí stanice a vyklopte panel. (⇒ 9.2)

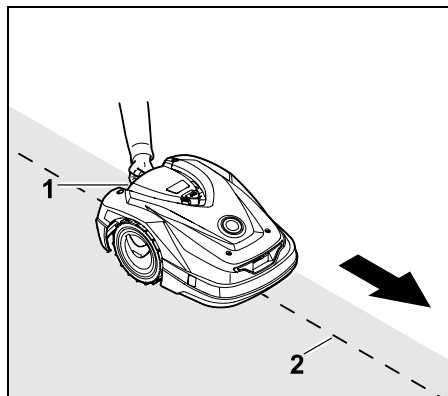


- 1 Odklopte levou upínací páčku (1).
- 2 Vyjměte konec drátu (2) ze svorkovnice a upínací páčku zavřete.

- Zaklapněte panel a na dobíjecí stanici nasadte kryt. (⇒ 9.2)

Následně je hledání místa přerušení drátu popsáno po směru pohybu hodinových ručiček, což znamená, že omezovací drát se bude objíždět z dobíjecí stanice ve směru pohybu hodinových ručiček. Hledat lze také proti směru pohybu hodinových ručiček, pak je ovšem nutné odpojit ze svorkovnice pravý konec drátu.

- V nabídce „Více – Servis“ zvolte možnost „Hledání lomu drátu“ a volbu potvrďte stisknutím tlačítka OK. (⇒ 11.17)



Vyjďte s robotickou sekačkou z dobíjecí stanice a jeďte s ní po okraji sečené plochy **po směru hodinových ručiček**. Mírným nadzvednutím stroje za zadní držadlo pro nošení (1) uvolněte hnací kola. Robotickou sekačku opřenu jen o přední kola vedte podél omezovacího drátu (2). Dbejte na to, aby omezovací drát (2) vedl pod drátovými senzory. Drátové senzory jsou na levé a pravé straně přední části robotické sekačky.

Při hledání přerušení drátu se na displeji zobrazuje **síla signálu**. Když je hodnota nejvyšší, měly by se drátové senzory nacházet nad omezovacím drátem.

Pokud příslušné snímače přijímají signál drátu správně, zobrazí se na displeji symbol hlášení **Signál drátu OK**.



V místě lomu drátu signál zeslábně a na displeji se zobrazí symbol hlášení **Zkontrol. signál drátu**.



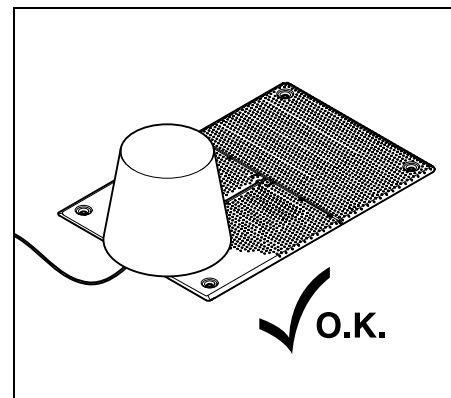
- Místo lomu přemostěte pomocí elektrických konektorů (⇒ 12.16) nebo v případě potřeby položte v oblasti lomu drátu nový omezovací drát.

- Levý konec drátu znovu připojte. (⇒ 9.10)
- Pokud byl lom drátu úspěšně opraven, rozsvítí se červená kontrolka. (⇒ 13.1)

16.8 Uskladnění stroje a zimní přestávka

Při **uskladnění** robotické sekačky (např. přes zimu, dočasné uskladnění) dodržujte následující pokyny:

- Nabijte akumulátor (⇒ 15.7)
- Přepněte robotickou sekačku do zimního spánku (⇒ 11.17)
- Odpojte konektor síťového zdroje od elektrické sítě
- Pečlivě vyčistěte všechny vnější díly robotické sekačky a dobíjecí stanice



Dobíjecí stanici přikryjte vhodným kbelíkem a zajistěte je proti pohybu.

- Robotickou sekačku uskladněte v suchém, uzavřeném a bezprašném prostoru tak, aby stála na kolech. Zajistěte uskladnění stroje tak, aby byl mimo dosah dětí.

- Robotickou sekačku skladujte vždy jen v provozuschopném stavu.
- Kontrolujte pevné dotažení všech šroubů, poškozené či nečitelné výstražné a bezpečnostní symboly na stroji vyměňte za nové, pravidelně kontrolujte celkové opotřebení a řádný technický stav celého stroje. Opotřebená nebo poškozená díly vyměňte.
- Případné závady na stroji je nutno vždy odstranit ještě před uskladněním.

i Na robotickou sekačku nikdy nepokládejte žádné předměty ani je na ní neskladujte.

Teplota v místnosti s uskladněným strojem by neměla klesat pod 5 °C.

Opětovné uvedení robotické sekačky do provozu po delší době nečinnosti:

i Po delší době nečinnosti je nutné případně opravit údaj o datu a čase. Při uvedení do provozu se zobrazí odpovídající okna s možnostmi výběru. Pokud se okna s možnostmi výběru nezobrazí automaticky, zkontrolujte datum a čas v nabídce „Nastavení“ a v případě potřeby údaje opravte. (⇒ 11.10)

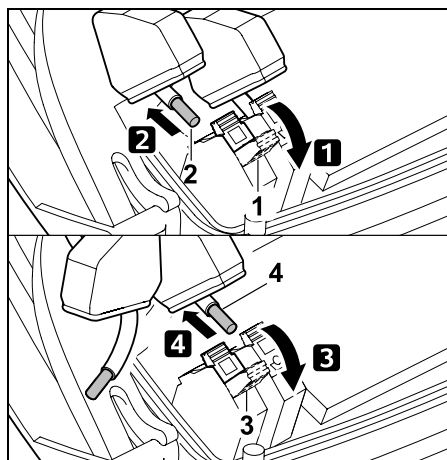
- Příprava sečené plochy:
Odstraňte ze sečené plochy cizí tělesa. Pokud je tráva příliš vysoká, zkraťte ji pomocí běžné sekačky na trávu.
- Uvolněte dobíjecí stanici a síťový zdroj připojte k elektrické síti.
- Nabijte akumulátor (⇒ 15.7)
- Propojte robotickou sekačku a dobíjecí stanici. (⇒ 9.11)

- Odstraňte překážky a cizí tělesa na okraji.
Spusťte objetí okraje a zkontrolujte, zda jsou sjízdné úzké průchody a úzká místa. (⇒ 11.13)
- Zkontrolujte vyžínací plán a v případě potřeby ho upravte. (⇒ 11.7)
- Zapněte automatiku (⇒ 11.7)
- V případě potřeby aktivujte energetický režim „Standardní“ (⇒ 11.10) a zapněte ochranu GPS. (⇒ 5.9)

16.9 Demontáž dobíjecí stanice

Při uskladnění robotické sekačky na delší dobu (např. přes zimu) lze dobíjecí stanici demontovat.

- Robotickou sekačku je třeba na delší uskladnění připravit (⇒ 16.8).
- Odpojte konektor síťového zdroje od elektrické sítě.
- Sejměte kryt z dobíjecí stanice a vyklepte panel (⇒ 9.2).



1 Vyklopte pravou upínací páčku (1).
2 Pravý konec drátu (2) vytáhněte ze svorkovnice.

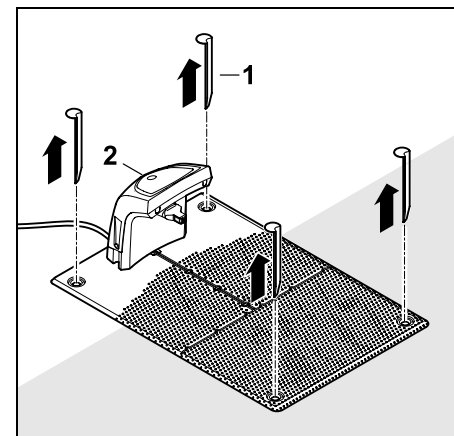
Upínací páčku (1) opět zavřete.

3 Vyklopte levou upínací páčku (3).

4 Levý konec drátu (4) vytáhněte ze svorkovnice.

Upínací páčku (3) opět zavřete.

- Zaklapněte panel (⇒ 9.2).
- Pravý a levý konec drátu vyvlékněte z dobíjecí stanice odděleně.
- Na dobíjecí stanici nasadte kryt (⇒ 9.2).



Vytáhněte skoby (1) a dobíjecí stanici (2) s připojeným síťovým zdrojem odeberte ze sečené plochy, důkladně očistěte (vlhkým hadříkem) a uskladněte.

- Robotickou sekačku uskladněte spolu s dobíjecí stanicí a síťovým zdrojem v suché, uzavřené a bezprašné místnosti v normální poloze. Připojte robotickou sekačku k dobíjecí stanici. Zajistěte uskladnění stroje tak, aby byl mimo pracovní dosah dětí.

- Volné konce omezovacího drátu chraňte před povětrnostními podmínkami (např. omotáním vhodnou izolační páskou).
- Při opětovné montáži dobíjecí stanice postupujte stejně jako při první instalaci – dbejte zejména na správné zapojení pravého a levého konce omezovacího drátu. (⇒ 9.10)

17. Běžné náhradní díly

Žací nůž:

6301 702 0101

18. Příslušenství

- Sada **STIHL S** pro sečené plochy do 500 m²
- Sada **STIHL L** pro sečené plochy od 2 000 m² do 4 000 m²
- Kolíky **STIHL AFN 075**
- Omezovací drát **STIHL ARB 501**:
Délka: 500 m
Průměr: 3,4 mm
- Elektrický konektor **STIHL ADV 010**

Pro stroj je k dispozici celá řada dalšího příslušenství.

Bližší informace obdržíte u svého odborného prodejce STIHL, na internetu (www.stihl.cz) nebo v katalogu STIHL.



Z bezpečnostních důvodů je možné používat pouze příslušenství schválené společností STIHL.

19. Opatření pro minimalizování opotřebení a zabránění vzniku škod

Důležité pokyny pro údržbu a ošetřování skupiny výrobků

Robotická sekačka poháněná akumulátorem (STIHL RMI)

Firma STIHL v žádném případě neručí za zranění nebo materiální škody, které byly způsobeny nedodržováním pokynů v návodu na obsluhu, zejména pokynů týkajících se bezpečnosti, obsluhy a údržby, nebo použitím neschválených nástaveb nebo neschválených náhradních dílů.

Abyste zabránili poškození nebo nadměrnému opotřebení Vašeho stroje STIHL, vždy dodržujte následující důležité pokyny:

1. Běžné spotřební náhradní díly

Některé díly strojů STIHL podléhají běžnému provoznímu opotřebení i při předepsaném použití. Tyto díly se proto musí v závislosti na způsobu a době použití vždy včas vyměnit.

Mezi tyto součásti patří mj. také:

- žací nůž,
- akumulátor,
- pneumatiky.

2. Dodržování pokynů uvedených v tomto návodu k použití

Při používání, údržbě a uskladnění stroje STIHL postupujte tak pečlivě, jak to popisuje tento návod k použití. Za všechny škody, ke kterým došlo nedodržením bezpečnostních pokynů a pokynů pro obsluhu a údržbu, odpovídá uživatel.

To platí zejména pro:

- nesprávnou manipulaci s akumulátorem (nabíjení, skladování),
- nesprávné elektrické připojení (napětí),
- úpravy stroje, které neschválila společnost STIHL,
- použití neschváleného, nevhodného nebo kvalitativně nevyhovujícího nářadí nebo příslušenství stroje,
- použití stroje v rozporu s určením,
- použití stroje při sportovních nebo soutěžních akcích,
- následné škody vzniklé dalším používáním stroje s vadnými součástmi.

3. Údržbářské práce

Všechny práce uvedené v kapitole „Údržba“ provádějte pravidelně v předepsaných intervalech.

Pokud tyto údržbářské práce nemůže provést sám uživatel, musí pověřit odborného prodejce.

STIHL doporučuje nechat provést všechny údržbářské práce a opravy výlučně prostřednictvím odborného prodejce STIHL.

Odborní prodejci STIHL jsou pravidelně školeni a disponují všemi potřebnými technickými informacemi.

Zanedbáním těchto prací mohou vzniknout škody, za které odpovídá uživatel.

K tomu patří kromě jiného:

- škody na stroji v důsledku nedostatečného nebo nesprávného způsobu čištění,

- koroze a jiné škody způsobené následkem neodborného uskladnění,
- poškození stroje způsobené použitím nekvalitních náhradních dílů,
- škody v důsledku pozdě nebo nedostatečně provedené údržby, resp. v důsledku servisních prací nebo oprav, které nebyly provedeny v servisní dílně odborného prodejce.

20. Ochrana životního prostředí

Obalové materiály, stroj a příslušenství jsou vyrobeny z recyklovatelných materiálů, tyto je nutno likvidovat podle příslušných předpisů.

Tříděný ekologický sběr a likvidace odpadových materiálů umožňuje opětovné použití cenných surovin. Z toho důvodu je nutno použítý stroj po ukončení obvyklé technické životnosti odevzdat do tříděného sběru druhotných surovin. Při likvidaci stroje dodržujte pokyny uvedené v kapitole „Likvidace použitých materiálů“. (⇒ 6.11)



Odpadní materiály jako akumulátory odevzdejte do sběrný tříděných surovin. Dodržujte platné místní předpisy.

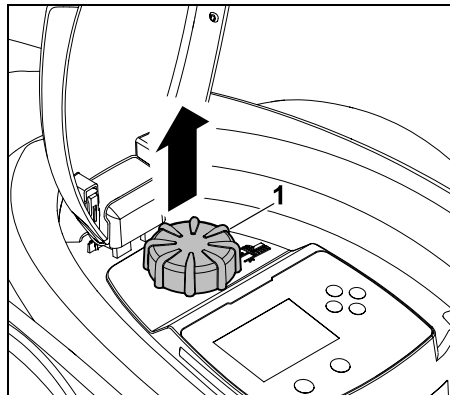


Li-Ion
odpadu.

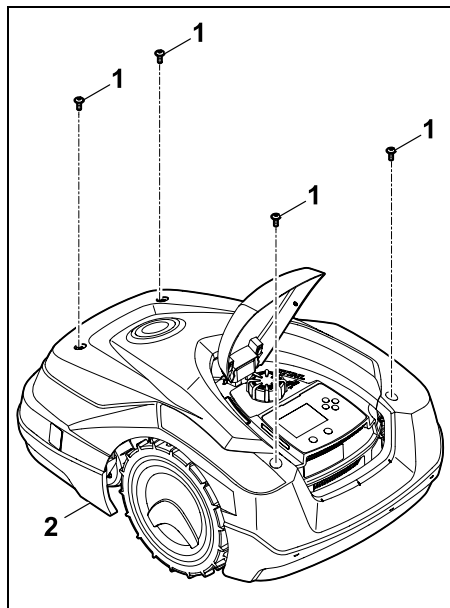
Použité lithiové akumulátory nepatří do domácího odpadu, odevzdejte je u odborného prodejce nebo odneste do komunální sběrný zvláštního odpadu.

20.1 Demontáž akumulátoru

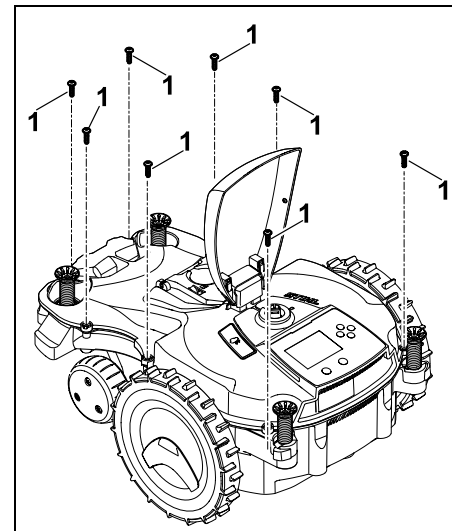
- Aktivujte funkci blokování přístroje. (⇒ 5.2)
- Otevřete kryt. (⇒ 15.2)



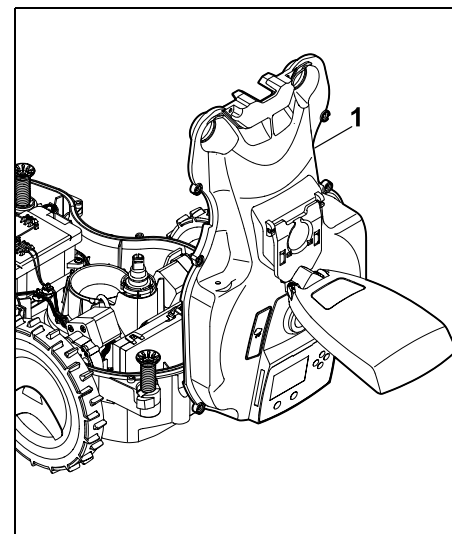
Stáhněte knoflík (1) směrem nahoru.



Vyšroubujte šrouby (1) na krytu (2). Zatáhněte za kryt (2) směrem nahoru.



Vyšroubujte a vyjměte šrouby (1).

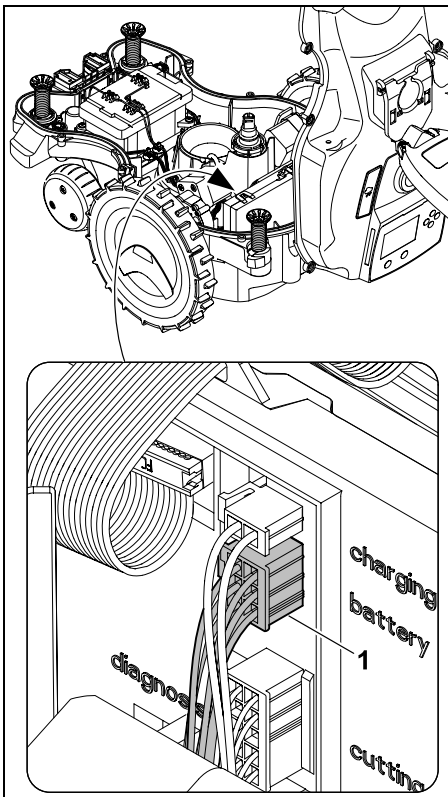


Horní díl skříně (1) odklopte směrem dozadu.

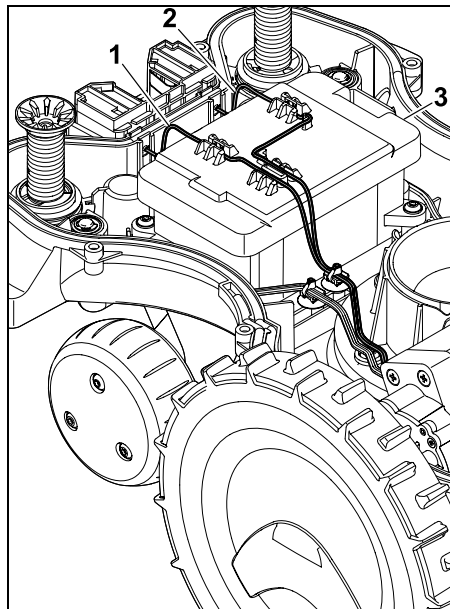


Nebezpečí úrazu!

Kabely na akumulátorech se nesmí přerušit. Nebezpečí zkratu!
Kabely vždy odpojte a vyjměte společně s akumulátorem.



Vytáhněte kabelový konektor (1) (označen nápisem „battery“).



Kabely (1) a (2) vyjměte z vedení kabelu a vyjměte akumulátor (3).



Nebezpečí úrazu!

Dejte pozor, abyste akumulátor nepoškodili.

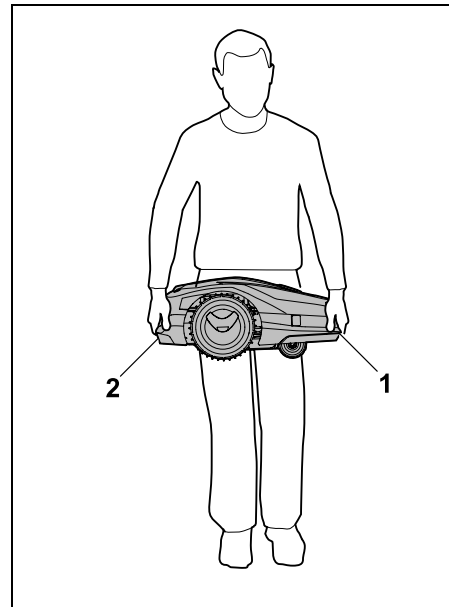
21. Přeprava stroje



Nebezpečí úrazu!

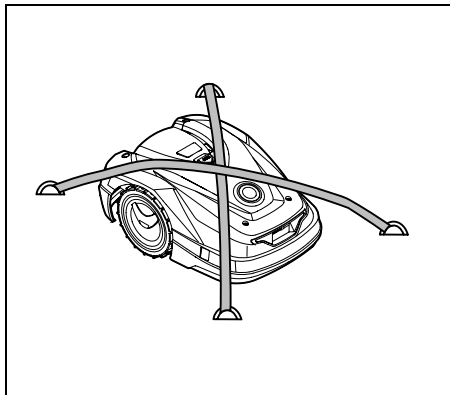
Před zahájením přepravy stroje si pečlivě přečtěte kapitolu „Pro vaši bezpečnost“ (⇒ 6.), zejména podkapitolu „Přeprava stroje“ (⇒ 6.5), a dodržujte přesně všechny bezpečnostní pokyny – funkce blokování přístroje musí být vždy aktivní. (⇒ 5.2)

21.1 Zvedání nebo přenášení stroje



Robotickou sekačku zvedněte a přenášejte uchopením za přední (1) a zadní (2) držadla. Vždy přítom dbejte na to, aby žací nůž nepřišel do kontaktu s vaším tělem, zejména s chodidly a nohama.

21.2 Upevnění stroje



Bezpečně upevněte robotickou sekačku na ložné ploše. Stroj přitom zajistěte pomocí vhodných vázacích prostředků (upínacích popruhů, lan), jak je zobrazeno na obrázku.

Proti posunutí zajistěte také příslušenství (např. dobíjecí stanici, malé díly), které přepravujete společně se strojem.

22. Prohlášení o shodnosti výroby

22.1 EU prohlášení o shodě pro elektrickou akumulátorovou robotickou sekačku (RMI) s dobíjecí stanicí (ADO)

Výrobce:

STIHL Tirol GmbH
Hans Peter Stihl-Straße 5
6336 Langkampfen
Rakousko

Společnost
ANDREAS STIHL AG & Co. KG tímto na svoji výhradní odpovědnost prohlašuje, že stroj

druh: automatická sekačka na trávu s akumulátorový m pohonem
výrobní značka: STIHL
typ: RMI 522.0 C
sériové identifikační číslo: 6305

druh: dobíjecí stanice
výrobní značka: STIHL
typ: ADO 500
firmware verze 2.00
sériové identifikační číslo: 6301

splňuje příslušná nařízení směrnic 2006/42/EC, 2011/65/EU, 2006/66/EC, 2014/53/EU a byla vyvinuta a vyrobena v souladu s následujícími normami platnými vždy k datu výroby: EN 50636-2-107, EN 60335-1 Ed 5, EN 55014-1, EN 55014-2, EN 61000-3-2, EN 61000-3-3.

ETSI EN 301 489-1 V2.2.3
ETSI EN 301 489-19 V2.1.1
ETSI EN 301 489-52 V2.1.1
ETSI EN 301 511 V 12.5.1
ETSI EN 301 908-1 V13.1.1
ETSI EN 301 908-13 V13.1.1
ETSI EN 303 413 V1.1.1
ETSI EN 303 447 V1.2.0

Notifikovaný orgán TÜV Rheinland LGA Products GmbH, č. 0197, ověřil soulad podle přílohy III modulu B směrnice 2014/53/EU a vydal následující osvědčení o homologaci v rámci EU: RT 60154540 0001

Uložení technické dokumentace: ANDREAS STIHL AG & Co. KG Odbor schvalování výrobků

Rok výroby a číslo stroje (sériové číslo) jsou uvedeny na stroji.

Waiblingen, 02.11.2020

ANDREAS STIHL AG & Co. KG

v zastoupení



Dr. Jürgen Hoffmann, vedoucí oddělení údajů o výrobcích, předpisů a schválení

22.2 Servisní organizace

Záruční a pozáruční servis vám poskytne váš prodejce. Informace o dalších prodejnách a servisních místech vám sdělí v zastoupení firmy A. STIHL pro ČR: Andreas STIHL, spol. s r. o. Chrlická 753 664 42 Modřice

22.3 Adresa ředitelství společnosti STIHL

ANDREAS STIHL AG & Co. KG
Postfach 1771
D-71301 Waiblingen

22.4 Adresy prodejních organizací STIHL

NĚMECKO

STIHL Vertriebszentrale AG & Co. KG
Robert-Bosch-Straße 13
64807 Dieburg
Telefon: +49 6071 3055358

RAKOUSKO

STIHL Ges.m.b.H.
Fachmarktstraße 7
2334 Vösendorf
Telefon: +43 1 86596370

ŠVÝCARSKO

STIHL Vertriebs AG
Isenrietstraße 4
8617 Mönchaltorf
Telefon: +41 44 9493030

ČESKÁ REPUBLIKA

Andreas STIHL, spol. s r.o.
Chrlická 753
664 42 Modřice

22.5 Adresy importérů produktů STIHL

BOSNA A HERCEGOVINA

UNIKOMERC d. o. o.
Bišće polje bb
88000 Mostar
Telefon: +387 36 352560
Fax: +387 36 350536

CHORVATSKO

UNIKOMERC - UVOZ d.o.o.
Sjedište:
Amruševa 10, 10000 Zagreb
Prodaja:
Ulica Kneza Ljudevita Posavskog 56,
10410 Velika Gorica
Telefon: +385 1 6370010
Fax: +385 1 6221569

TURECKO

SADAL TARIM MAKİNELERİ DIŞ
TİCARET A.Ş.
Hürriyet Mahallesi Manas Caddesi No.1
35473 Menderes, İzmir
Telefon: +90 232 210 32 32
Fax: +90 232 210 32 33

23. Technické údaje

Sériové identifikační číslo	6305
Systém sečení	Mulčovací žací ústrojí
Řezné ústrojí	Rotační nůž
Šířka záběru při sečení	20 cm
Otáčky řezného ústrojí	4450 ot/min
Typ akumulátoru	lithium-iontový
Napětí akumulátoru U_{SS}	18,0 V
Výška sečení	20 - 60 mm
Třída ochrany	III
Krytí	IPX4
Podle EN 50636-2-107:	
Hladina akustického tlaku L_{pA}	52 dB(A)
Nejistota měření K_{pA}	2 dB(A)
Podle 2000/14/EG / S.I. 2001/1701:	

Naměřená hladina akustického výkonu L_{WA}	60 dB(A)
Nejistota měření K_{WA}	2 dB(A)
$L_{WA} + K_{WA}$	62 dB(A)
Délka	60 cm
Šířka	43 cm
Výška	27 cm
Výkon	60 W
Označení akumulátoru	AAI 100
Kapacita akumulátoru	4,9 Ah
Hmotnost	9,7 kg

Mobilní spojení:

Podporovaná frekvenční pásma:	E-GSM-900 a DCS-1800
-------------------------------	-------------------------

Maximální vyzařovaný vysílací výkon:

E-GSM-900:	880 - 915 MHz: 33,0 dBm
DCS-1800:	1710 - 1785 MHz: 30,0 dBm
LTE-CAT-M1:	698 - 960 MHz: 23 dBm
LTE-CAT-M1:	1710 - 2170 MHz: 23 dBm

Dobíjecí stanice ADO 500:

Napětí U_{SS}	27 V
Třída ochrany	III
Krytí	IPX4
Hmotnost	2,7 kg

Omezovací drát a vyhledávací smyčka:

Frekvenční rozsah:	1,0 kHz - 90 kHz
--------------------	------------------

Omezovací drát a vyhledávací smyčka:

Maximální intenzita pole < 72 $\mu\text{A}/\text{m}$

Síťový zdroj:

OWA-60E-27
2,23 A
Síťové napětí $U_{\text{stř}}$ 100-240 V
Frekvence 50/60 Hz
Stejnoseměrné napětí U_{SS} 27 V
Třída ochrany II
Krytí IP67

Přeprava akumulátorů STIHL:

Akumulátory STIHL splňují všechny požadavky uvedené v příručce UN ST/SG/AC.10/11/Rev. 5, díl III, odstavec 38.3.

V případě silniční přepravy může uživatel tyto akumulátory bez dalších opatření dopravit do místa použití stroje.


V případě letecké nebo námořní přepravy je nutno dodržovat platné národní předpisy příslušné země.

Další související pokyny týkající se přemístování stroje najdete na adrese <http://www.stihl.com/safety-data-sheets>.

REACH:




REACH je označení pro příslušné nařízení EU k registraci, hodnocení a schvalování chemikálií. Informace ohledně splnění podmínek Nařízení REACH (EU) č. 1907/2006, viz www.stihl.com/reach


24. Hlášení

Hlášení upozorňují na aktivní chyby, poruchy a dostupná doporučení.  Zobrazují se v dialogovém okně a mohou být vyvolána stisknutím tlačítka OK v nabídce „Více - Informace - Hlášení“. (⇒ 11.18)


Doporučení a aktivní hlášení se zobrazují také pomocí indikátoru stavu. (⇒ 11.2)

V části s podrobnostmi o hlášení je možné vyvolat kód hlášení, okamžik jeho vygenerování, prioritu a četnost výskytu.

- **Doporučení** mají prioritu „Nizká“ nebo „Info“ a zobrazují se pomocí indikátoru stavu střídavě s textem „iMOW® připraven k prov.“ Robotická sekačka může dále pokračovat v provozu, obnoví se automaticky režim. 
- **Poruchy** mají prioritu „Střední“ a vyžadují zásah uživatele.  Robotická sekačka může dále pokračovat v provozu až po odstranění poruchy.
- Při výskytu **závady** s prioritou „Vysoká“ se na displeji zobrazí text „Kontaktovat prodejce“.  Robotickou sekačku lze uvést znovu do provozu až po odstranění závady u odborného prodejce produktů STIHL.

 Pokud zůstane hlášení aktivní i po provedení navrhovaného opatření, kontaktujte odborného prodejce produktů STIHL.

Závady, které může odstranit pouze odborný prodejce produktů STIHL, nejsou v přehledu uvedeny. Pokud dojde k takovéto závadě, přečtěte odbornému prodejci 4místný kód a text závady.

 Hlášení, která negativně ovlivňují běžný provoz, budou nahlášena také aplikaci. (⇒ 10.)

Robotická sekačka po odeslání hlášení přejde do pohotovostního režimu a za účelem úspory akumulátoru deaktivuje provoz mobilního telefonu.

Hlášení:

0001 – Data aktualizována
Pro uvolnění stiskněte OK

Možná příčina:

- Byla provedena aktualizace softwaru stroje,
- pokles napětí,
- chyba softwaru nebo hardwaru.

Jak odstranit problém:

- Po stisknutí tlačítka OK bude robotická sekačka pracovat podle předem nastavených parametrů – zkontrolujte a případně upravte nastavení (datum, čas, vyžínací plán)

Hlášení:

0100 – Vybitý akumulátor
Nabít akumulátor

Možná příčina:

- Příliš nízké napětí akumulátoru

Jak odstranit problém:

- Postavte robotickou sekačku do dobíjecí stanice, aby se nabíl akumulátor (⇒ 15.7).
-

Hlášení:

0180 – Nízká teplota
Základní deska

Možná příčina:

- Nízká teplota uvnitř robotické sekačky

Jak odstranit problém:

- Robotickou sekačku nechte zahřát.
-

Hlášení:

0181 – Vysoká teplota
Základní deska

Možná příčina:

- Příliš vysoká teplota uvnitř robotické sekačky

Jak odstranit problém:

- Nechejte robotickou sekačku vychladnout.
-

Hlášení:

0183 – Vysoká teplota
Základní deska ovládání nabíjení

Možná příčina:

- Příliš vysoká teplota uvnitř robotické sekačky

Jak odstranit problém:

- Nechejte robotickou sekačku vychladnout.
-

Hlášení:

0185 – Vysoká teplota
Základní deska ovládání jízdy

Možná příčina:

- Příliš vysoká teplota uvnitř robotické sekačky

Jak odstranit problém:

- Nechejte robotickou sekačku vychladnout.
-

Hlášení:

0186 – Nízká teplota
Akumulátor

Možná příčina:

- Teplota akumulátoru je příliš nízká

Jak odstranit problém:

- Robotickou sekačku nechte zahřát.
-

Hlášení:

0187 – Vysoká teplota
Akumulátor

Možná příčina:

- Teplota akumulátoru je příliš vysoká

Jak odstranit problém:

- Nechejte robotickou sekačku vychladnout.
-

Hlášení:

0302 – Chyba hnacího motoru
Teplotní rozsah byl překročen

Možná příčina:

- Vysoká teplota v levém hnacím motoru

Jak odstranit problém:

- Nechejte robotickou sekačku vychladnout.
-

Hlášení:

0305 – Chyba hnacího motoru
Levé kolo je zaseklé

Možná příčina:

- Přetížení levého hnacího kola

Jak odstranit problém:

- Vyčistěte robotickou sekačku (⇒ 16.2).
 - Odstraňte nerovnosti (výmoly, jámy) na sečené ploše.
-

Hlášení:

0402 – Chyba hnacího motoru
Teplotní rozsah byl překročen

Možná příčina:

- Vysoká teplota v pravém hnacím motoru

Jak odstranit problém:

- Nechejte robotickou sekačku vychladnout.
-

Hlášení:

0405 – Chyba hnacího motoru
Pravé kolo je zaseklé

Možná příčina:

- Přetížení pravého hnacího kola

Jak odstranit problém:

- Vyčistěte robotickou sekačku (⇒ 16.2).
 - Odstraňte nerovnosti (výmoly, jámy) na sečené ploše.
-

Hlášení:

0502 – Chyba žacího motoru
Teplotní rozsah byl překročen

Možná příčina:

- Vysoká teplota v žacím motoru

Jak odstranit problém:

- Nechejte robotickou sekačku vychladnout.
-

Hlášení:

0505 – Chyba žacího motoru
Přetížení žacího motoru

Možná příčina:

- Nečistoty mezi unášecím kotoučem a skříňí žacího ústrojí
- Nelze zapnout žací motor
- Přetížení žacího motoru

Jak odstranit problém:

- Vyčistit žací nůž a žací ústrojí (⇒ 16.2). Vyčistit unášecí kotouč (⇒ 16.6).
- Nastavit větší výšku sečení (⇒ 9.5).
- Odstranit nerovnosti (výmoly, jámy) na sečené ploše.

Hlášení:

0701 – Teplota akumulátoru
Mimo teplotní rozsah

Možná příčina:

- Příliš nízká nebo vysoká teplota v akumulátoru

Jak odstranit problém:

- Nechejte robotickou sekačku zahřát nebo vychladnout – dodržujte přípustný rozsah teplot akumulátoru (⇒ 6.4).

Hlášení:

0703 – Vybitý akumulátor
Napětí akumulátoru je příliš nízké

Možná příčina:

- Příliš nízké napětí akumulátoru

Jak odstranit problém:

- Postavte robotickou sekačku do dobíjecí stanice, aby se nabil akumulátor (⇒ 15.7).

Hlášení:

0704 – Vybitý akumulátor
Napětí akumulátoru je příliš nízké

Možná příčina:

- Příliš nízké napětí akumulátoru

Jak odstranit problém:

- Postavte robotickou sekačku do dobíjecí stanice, aby se nabil akumulátor (⇒ 15.7).

Hlášení:

1000 – Překlopení
Přípustný sklon byl překročen

Možná příčina:

- Čidlo sklonu zaznamenalo překlopení stroje.

Jak odstranit problém:

- Postavte robotickou sekačku na kola, zkontrolujte, zda není poškozená, a potvrďte hlášení stisknutím tlačítka OK.

Hlášení:

1010 – iMOW® zvednutý
Pro uvolnění stiskněte OK

Možná příčina:

- Robotická sekačka byla zvednuta za kapotu.

Jak odstranit problém:

- Zkontrolujte pohyblivost kapoty a potvrďte hlášení stisknutím tlačítka OK.

Hlášení:

1030 – Závada krytu
Zkontrolovat kapotu
Poté stisknout OK

Možná příčina:

- Nelze rozpoznat kapotu.

Jak odstranit problém:

- Zkontrolovat pohyblivost a upevnění kapoty a potvrdit hlášení stisknutím tlačítka OK

Hlášení:

1105 – Kryt otevřen
Proces přerušen

Možná příčina:

- Během automatického provozu byl otevřen kryt.
- Během automatického objíždění okraje byl otevřen kryt.

Jak odstranit problém:

- Zavřít klapku (⇒ 15.2).

Hlášení:

1120 – Kapota blokována
Zkontrolovat kapotu
Poté stisknout OK

Možná příčina:

- Došlo ke kolizi, která zablokovala stroj.
- Odstraňte nerovnosti kolem dobíjecí stanice nebo pod ní.

Jak odstranit problém:

- Uvolněte robotickou sekačku, v případě potřeby odstraňte překážku nebo změňte trasu vedení omezovacího drátu – poté potvrďte hlášení stisknutím tlačítka OK.
- Zkontrolujte pohyblivost kapoty a potvrďte hlášení stisknutím tlačítka OK.

- Odstraňte nerovnosti a hlášení potvrďte stisknutím tlačítka OK (⇒ 9.1).

Hlášení:

1125 – Odstranit překážku
Zkontrolovat uložení drátu

Možná příčina:

- Nepřesné uložení omezovacího drátu

Jak odstranit problém:

- Zkontrolujte trasu uložení omezovacího drátu, zkontrolujte vzdálenosti pomocí pravitka iMOW®. (⇒ 12.5)

Hlášení:

1126 – Zrušení zaučování
Zaučování se nezdařilo
Odstranit překážku

Možná příčina:

- Překážka v oblasti omezovacího drátu
- Kapota byla zvednuta
- Nesprávné uložení drátu

Jak odstranit problém:

- Robotickou sekačku uvolněte, v případě potřeby odstraňte překážku nebo změňte průběh omezovacího drátu
- Zkontrolujte pohyblivost kapoty
- Odstraňte nerovnosti
- Potvrďte hlášení stisknutím tlačítka OK
- V případě potřeby začněte znovu se zaučováním

Hlášení:

1127 – Zrušení zaučování
Zaučování se nezdařilo

Možná příčina:

- Stisknuto tlačítko STOP
- Přípustný sklon byl překročen
- Vymazání/uložení interní mapy sečené plochy se nezdařilo

- Zajetí do dobíjecí stanice nebylo úspěšné

Jak odstranit problém:

- Potvrďte hlášení stisknutím tlačítka OK
- V případě potřeby začněte znovu se zaučováním

Hlášení:

1128 – Přímý návrat domů
Zrušení návratu domů podél drátu

Možná příčina:

- Přímý návrat domů se nepodařilo úspěšně dokončit

Jak odstranit problém:

- Není nutná žádná akce, v případě potřeby potvrďte hlášení pomocí OK
- Pokud problém přetrvává, kontaktujte odborného prodejce STIHL

Hlášení:

1130 – Zaseknutí
Uvolnit iMOW®
Poté stiskněte OK

Možná příčina:

- Robotická sekačka stojí zaseklá na místě.
- Hnací kola se protáčí.

Jak odstranit problém:

- Uvolněte robotickou sekačku, odstraňte nerovnosti na sečené ploše nebo změnit trasu vedení omezovacího drátu – poté potvrďte hlášení stisknutím tlačítka OK.
- Vyčistěte hnací kola, v případě potřeby zablokujte provoz v dešti – poté hlášení potvrďte stisknutím tlačítka OK (⇒ 11.11)

Hlášení:

1135 – Mimo
Postavit iMOW® na sečenou plochu

Možná příčina:

- Robotická sekačka se nachází mimo sečenou plochu.

Jak odstranit problém:

- Vraťte robotickou sekačku na sečenou plochu.

Hlášení:

1140 – Příliš příkré
Zkontrol. vedení drátu

Možná příčina:

- Čidlo sklonu zaznamenalo svah se sklonem nad 40 %.

Jak odstranit problém:

- Změňte uložení omezovacího drátu a vyčleňte plochy trávníku se sklonem nad 40 %.

Hlášení:

1170 – Žádný signál
Zapnutí dobíjecí stanice

Možná příčina:

- Dobíjecí stanice je vypnutá.
- Během provozu stroje došlo k přerušení příjmu signálu drátu.
- Robotická sekačka se nachází mimo sečenou plochu.
- Dobíjecí stanice, popř. elektronické součásti byly vyměněny.

Jak odstranit problém:

- Zapněte dobíjecí stanici a dejte příkaz k sečení.
- Zkontrolujte napájení dobíjecí stanice.
- Zkontrolujte funkčnost kontrolky LED na dobíjecí stanici – červená kontrolka LED má svítit po celou dobu provozu stroje (⇒ 13.1).

- Vraťte robotickou sekačku na sečenou plochu.
- Propojte robotickou sekačku a dobíjecí stanici (⇒ 11.16).

Hlášení:

1180 – Zadokování iMOW®
Automatické zadokování
není možné

Možná příčina:

- Dobíjecí stanice nebyla nalezena.
- Začátek nebo konec úzkého průchodu byl nesprávně nainstalován.

Jak odstranit problém:

- Zkontrolujte funkčnost kontrolky LED na dobíjecí stanici, v případě potřeby dobíjecí stanici zapněte (⇒ 13.1)
- Zkontrolujte, zda se stroj správně připojuje k dobíjecí stanici (⇒ 15.6)
- Zkontrolujte nájezd a výjezd ve tvaru nálevky do úzkého průchodu a z něj. (⇒ 12.11)

Hlášení:

1190 – Chyba dokování
Dob. stanice obsazena

Možná příčina:

- Dobíjecí stanice je obsazena druhou robotickou sekačkou.

Jak odstranit problém:

- Připojte robotickou sekačku k dobíjecí stanici, až se uvolní.

Hlášení:

1200 – Žací motor
Žací motor se 5× nepodařilo spustit

Možná příčina:

- Nečistoty mezi unášecím kotoučem a skříní žacího ústrojí
- Nelze zapnout žací motor

- Přetížení žacího motoru

Jak odstranit problém:

- Vyčistit žací nůž a žací ústrojí (⇒ 16.2).
Vyčistit unášecí kotouč (⇒ 16.6).
- Nastavit větší výšku sečení (⇒ 9.5).
- Odstranit nerovnosti (výmoly, jámy) na sečené ploše.

Hlášení:

1210 – Chyba hnacího motoru
Kolo je zaseklé

Možná příčina:

- Přetížení hnacího kola

Jak odstranit problém:

- Vyčistěte robotickou sekačku (⇒ 16.2).
- Odstraňte nerovnosti (výmoly, jámy) na sečené ploše.

Hlášení:

1220 – Byl rozpoznán déšť
Sečení přerušeno

Možná příčina:

- Etapy sečení byly přerušeny deštěm nebo nebyly zahájeny.

Jak odstranit problém:

- Neprovádět žádnou další činnost, v případě potřeby nastavit dešťové čidlo (⇒ 11.11)

Hlášení:

1230 – Chyba připojení k dobíjecí stanici
Připojte iMOW® k dobíjecí stanici

Možná příčina:

- Dobíjecí stanice nebyla nalezena, automatické připojení k dobíjecí stanici není možné.

Jak odstranit problém:

- Zkontrolujte proces připojování k dobíjecí stanici a v případě potřeby robotickou sekačku připojte k dobíjecí stanici ručně. (⇒ 15.6)
- Zkontrolujte omezovací drát. Dbejte na správnou instalaci v oblasti dobíjecí stanice. (⇒ 9.9)

Hlášení:

2000 – Problém se signálem
Připojte iMOW® k dobíjecí stanici

Možná příčina:

- Chyba signálu drátu, nutné jemné seřízení

Jak odstranit problém:

- Postavte robotickou sekačku do dobíjecí stanice a poté stiskněte tlačítko OK.

Hlášení:

2020 – Doporučení
Roční kontrola u odborného prodejce

Možná příčina:

- Doporučený servis stroje

Jak odstranit problém:

- Nechte provést roční kontrolu u odborného prodejce produktů STIHL.

Hlášení:

2030 – Akumulátor
Bylo dosaženo přípustné životnosti

Možná příčina:

- Je nutné vyměnit akumulátor.

Jak odstranit problém:

- Nechte akumulátor vyměnit u odborného prodejce produktů STIHL.
-

Hlášení:

2031 – Chyba při nabíjení
Kontrola nabíjecích kontaktů

Možná příčina:

- Nelze spustit proces nabíjení.

Jak odstranit problém:

- Zkontrolujte nabíjecí kontakty na dobíjecí stanici a na robotické sekačce a v případě potřeby je očistěte. Poté potvrďte hlášení stisknutím tlačítka OK.
-

Hlášení:

2032 – Teplota akumulátoru
Mimo teplotní rozsah

Možná příčina:

- Teplota akumulátoru dosáhla při dobíjení příliš nízké nebo příliš vysoké hodnoty.

Jak odstranit problém:

- Nechejte robotickou sekačku zahřát nebo vychladnout – dodržujte přípustný rozsah teplot akumulátoru.
-

Hlášení:

2040 – Teplota akumulátoru
Mimo teplotní rozsah

Možná příčina:

- Teplota akumulátoru byla při zahájení sečení příliš nízká nebo příliš vysoká.

Jak odstranit problém:

- Nechejte robotickou sekačku zahřát nebo vychladnout – dodržujte přípustný rozsah teplot akumulátoru (⇒ 6.4).
-

Hlášení:

2050 – Přizpůs. vyžín. plán
Prodloužit aktiv. doby

Možná příčina:

- Byly zkráceny nebo vymazány aktivní doby, případně byla prodloužena doba sečení – uložené aktivní doby nejsou dostačující pro nezbytné etapy sečení.

Jak odstranit problém:

- Prodloužit aktiv. doby (⇒ 11.7) nebo zkrátit dobu sečení (⇒ 11.7)
-

Hlášení:

2060 – Sečení ukončeno
Pro uvolnění stiskněte OK

Možná příčina:

- Sečení na vedlejší ploše bylo úspěšně ukončeno.

Jak odstranit problém:

- Robotickou sekačku postavte na sečenou plochu a připojte ji k dobíjecí stanici, aby se nabil akumulátor (⇒ 15.6).
-

Hlášení:

2070 – Signál GPS
Žádný příjem na okraji

Možná příčina:

- Celý okraj sečené plochy se nachází v oblasti nepokryté signálem.

Jak odstranit problém:

- Zopakujte objížďení okraje. (⇒ 11.13)
 - Za účelem podrobné diagnostiky kontaktujte odborného prodejce produktů STIHL.
-

Hlášení:

2071 – Signál GPS
Žádný příjem u Výchozí bod 1

Možná příčina:

- Výchozí bod 1 se nachází v oblasti nepokryté signálem

Jak odstranit problém:

- Změňte polohu Výchozího bodu 1 (⇒ 11.14)
-

Hlášení:

2072 – Signál GPS
Žádný příjem u Výchozí bod 2

Možná příčina:

- Výchozí bod 2 se nachází v oblasti nepokryté signálem

Jak odstranit problém:

- Změňte polohu Výchozího bodu 2 (⇒ 11.14)
-

Hlášení:

2073 – Signál GPS

Žádný příjem u Výchozí bod 3

Možná příčina:

- Výchozí bod 3 se nachází v oblasti nepokryté signálem

Jak odstranit problém:

- Změňte polohu Výchozího bodu 3 (⇒ 11.14)
-

Hlášení:

2074 – Signál GPS

Žádný příjem u Výchozí bod 4

Možná příčina:

- Výchozí bod 4 se nachází v oblasti nepokryté signálem

Jak odstranit problém:

- Změňte polohu Výchozího bodu 4 (⇒ 11.14)
-

Hlášení:

2075 – Signál GPS

Žádný příjem v požadované zóně

Možná příčina:

- Požadovaná zóna se nachází v oblasti nepokryté signálem

Jak odstranit problém:

- Určete novou požadovanou zónu (⇒ 10.)
-

Hlášení:

2076 – Signál GPS

Požadovaná zóna nebyla nalezena

Možná příčina:

- Požadovanou zónu nebylo možné při objíždění okraje nalézt

Jak odstranit problém:

- Určete novou požadovanou zónu. Dbejte na to, aby se požadovaná zóna a omezovací drát překrývaly (⇒ 10.)
-

Hlášení:

2077 – Požadovaná zóna

Požadovaná zóna mimo domov. oblast

Možná příčina:

- Požadovaná zóna se nachází mimo uloženou domovskou oblast

Jak odstranit problém:

- Určete novou požadovanou zónu (⇒ 10.)
-

Hlášení:

2090 – Rádiový modul

Kontaktovat prodejce

Možná příčina:

- Rušení komunikace s rádiovým modulem

Jak odstranit problém:

- Není nutné podnikat žádné kroky, firmware se v případě potřeby aktualizuje automaticky.
 - Pokud problém přetrvává, kontaktujte prodejce produktů STIHL.
-

Hlášení:

2100 – Ochrana GPS

Mimo domovskou oblast

Stroj zablokován

Možná příčina:

- Robotická sekačka se vzdálila od domov. oblasti.

Jak odstranit problém:

- Přemístěte robotickou sekačku zpět do domovské oblasti a zadejte kód PIN (⇒ 5.9).
-

Hlášení:

2110 – Ochrana GPS

Nové stanoviště

Nutná nová instalace

Možná příčina:

- Robotická sekačka byla uvedena do provozu na jiné sečené ploše. Signál drátu druhé dobíjecí stanice byl již uložen.

Jak odstranit problém:

- Proveďte novou instalaci (⇒ 11.13).
-

Hlášení:

2400 – U sekačky iMOW® bylo úspěšně obnoveno výrobní nastavení

Možná příčina:

- U robotické sekačky bylo obnoveno výrobní nastavení.

Jak odstranit problém:

- Potvrďte hlášení stisknutím tlačítka OK.
-

Hlášení:

4000 – Chyba napětí
Přepětí nebo podpětí v akumulátoru

Možná příčina:

- Přepětí nebo podpětí v akumulátoru

Jak odstranit problém:

- Není nutné podnikat žádné kroky, firmware se v případě potřeby aktualizuje automaticky.
- Pokud problém přetrvává, kontaktujte odborného prodejce STIHL.

Hlášení:

4001 – Teplotní chyba
Mimo teplotní rozsah

Možná příčina:

- Příliš nízká nebo vysoká teplota v akumulátoru nebo uvnitř stroje

Jak odstranit problém:

- Nechejte robotickou sekačku zahřát nebo vychladnout – dodržujte přípustný rozsah teplot akumulátoru (⇒ 6.4).

Hlášení:

4002 – Překlopení
viz hlášení 1000

Hlášení:

4003 – Zvednuta kapota
Zkontrolovat kapotu
Poté stisknout OK

Možná příčina:

- Kapota byla zvednuta.

Jak odstranit problém:

- Zkontrolovat kapotu a potvrdit hlášení stisknutím tlačítka OK

Hlášení:

4004 – Doba brzdění pohonu překročena
Pro uvolnění stiskněte OK

Možná příčina:

- Chyby v programu
- Nesprávné uložení drátu
- Překážky v oblasti omezovacího drátu

Jak odstranit problém:

- Potvrdit hlášení stisknutím tlačítka OK.
- Zkontrolujte uložení drátu zejména v oblasti rohů prostřednictvím pravitka iMOW® (⇒ 12.5)
- Odstranit překážky

Hlášení:

4005 – Doba brzdění nože překročena
Pro uvolnění stiskněte OK

Možná příčina:

- Chyby v programu
- Ztráta signálu (např. v důsledku výpadku proudu) během automatického sečení

Jak odstranit problém:

- Potvrdit hlášení stisknutím tlačítka OK.
- Zkontrolovat napájení dobíjecí stanice – červená kontrolka LED musí svítit po celou dobu provozu stroje, poté stisknout tlačítka OK (⇒ 13.1)

Hlášení:

4006 – Proces nabíjení přerušen
Pro uvolnění stiskněte OK

Možná příčina:

- Chyby v programu
- Výpadek proudu během procesu nabíjení
- Robotická sekačka se vypojila z dobíjecí stanice.

Jak odstranit problém:

- Potvrdte hlášení stisknutím tlačítka OK.

- Zkontrolujte napájení dobíjecí stanice – červená kontrolka LED pomalu bliká, když je robotická sekačka v dobíjecí stanici (⇒ 13.1)
- Zkontrolujte správnou polohu dobíjecí stanice (⇒ 9.1)

Hlášení:

4008 – Klapka není zavřená.
Pro uvolnění stiskněte OK

Možná příčina:

- Poloha klapky nebyla správně detekována
- Porucha přenosu signálu ze senzoru

Jak odstranit problém:

- Potvrďte hlášení stisknutím tlačítka OK
- Klapku znovu otevřete a zavřete
- Pokud problém přetrvává, kontaktujte odborného prodejce STIHL.

Hlášení:

4009 – Porucha čidla kapoty
Pro uvolnění stiskněte OK

Možná příčina:

- Posunutá kapota

Jak odstranit problém:

- Zkontrolujte polohu kapoty
- Zkontrolovat pohyblivost kapoty a příp. vyčistit uložení kapoty
- Potvrdit hlášení stisknutím tlačítka OK.

Hlášení:

4016 – Odchylka snímače tlačítka STOP
Pro uvolnění stiskněte OK

Možná příčina:

- Chyby v programu

Jak odstranit problém:

- Potvrdit hlášení stisknutím tlačítka OK.

Hlášení:

4027 – Stisknuto tlačítko STOP
Pro uvolnění stiskněte OK

Možná příčina:

- Bylo stisknuto tlačítko STOP.

Jak odstranit problém:

- Potvrdit hlášení stisknutím tlačítka OK

25. Hledání závad

Podpora a nápověda k používání

Podporu a nápovědu k používání obdržíte u odborného prodejce STIHL.

Možnosti kontaktu a další informace jsou k dispozici na adrese
<https://support.stihl.com/> nebo
<https://www.stihl.com/>.

- ✳ Případně se obraťte na odborného prodejce, STIHL doporučuje odborného prodejce STIHL.

Porucha:

Robotická sekačka pracuje v nesprávný čas

Možná příčina:

- Nesprávné nastavení času a data
- Nesprávné nastavení aktivních dob
- Stroj uvedla do provozu neoprávněná osoba.

Jak odstranit problém:

- Nastavte čas a datum (⇒ 11.10).
- Nastavte aktivní doby (⇒ 11.7).
- Nastavte bezpečnostní stupeň „Střední“ nebo „Vysoký“ (⇒ 11.16).

Porucha:

Robotická sekačka během aktivní doby nepracuje.

Možná příčina:

- Akumulátor se nabíjí.
- Automatika je vypnuta.
- Aktivní doba byla deaktivována.
- Byl rozpoznán déšť.
- Pokud je aktivován typ vyžínacího plánu „Dynamický“: Trávník byl daný týden sečen po nezbytně nutnou dobu a není třeba aktivovat další dobu sečení.
- Na displeji je zobrazeno hlášení.
- Kryt je otevřený nebo sejmutý.
- Dobíjecí stanice není připojena k elektrické síti.
- Teplota se nachází mimo přípustný rozsah.
- Výpadek proudu.

Jak odstranit problém:

- Nechejte akumulátor nabít (⇒ 15.7).
- Zapněte automatiku (⇒ 11.7).
- Aktivujte příslušnou aktivní dobu (⇒ 11.7).
- Nastavte dešťové čidlo (⇒ 11.11).
- Není třeba provádět žádnou další akci, etapy sečení se u typu vyžínacího plánu „Dynamický“ automaticky rozloží do celého týdne – v případě potřeby aktivujte etapu sečení v nabídce „Start“ (⇒ 11.5).
- Odstraňte zobrazenou poruchu a hlášení potvrďte stisknutím tlačítka OK (⇒ 24.).
- Zavřete kryt (⇒ 15.2).
- Zkontrolujte napájení dobíjecí stanice (⇒ 9.3).
- Robotickou sekačku nechte zahřát nebo vychladnout na teplotu v přípustném rozsahu pro její provoz: +5 °C až +40 °C. Podrobné informace vám poskytne odborný prodejce ✳.

- Zkontrolujte napájení. Pokud robotická sekačka během opakovaných kontrol znovu rozpozná signál drátu, bude v přerušené etapě sečení pokračovat. Automatické obnovení provozu po výpadku proudu může trvat několik minut. Intervaly mezi jednotlivými pravidelnými kontrolami dostupnosti napájení se s prodlužující dobou výpadku proudu zvětšují.

Porucha:

Robotická sekačka neseče po zvolení nabídky „Start“.

Možná příčina:

- Nedostatečně nabitý akumulátor
- Byl rozpoznán déšť.
- Kryt není zavřen nebo nasazen.
- Na displeji je zobrazeno hlášení.
- Na dobíjecí stanici byla aktivována funkce volání.

Jak odstranit problém:

- Nabijte akumulátor (⇒ 15.7).
- Nastavte dešťové čidlo (⇒ 11.11).
- Zavřete kryt (⇒ 15.2).
- Odstraňte zobrazenou poruchu a hlášení potvrďte stisknutím tlačítka OK (⇒ 24.).
- Ukončete funkci volání nebo příkaz zopakujte po připojení stroje k dobíjecí stanici.

Porucha:

Robotická sekačka nepracuje a na displeji není nic zobrazeno.

Možná příčina:

- Stroj je v pohotovostním režimu.
- Vadný akumulátor

Jak odstranit problém:

- Stisknutím libovolného tlačítka uveďte robotickou sekačku do aktivního stavu – zobrazí se indikátor stavu (⇒ 11.2).

- Vyměňte akumulátor (✘).

Porucha:

Robotická sekačka je hlučná a vibruje.

Možná příčina:

- Poškozený žací nůž
- Silně znečištěné žací ústrojí

Jak odstranit problém:

- Výměna žacího nože – odstraňte překážky z plochy trávníku (⇒ 16.4), (✘)
- Vyčistěte žací ústrojí (⇒ 16.2).

Porucha:

Horší kvalita mulčování nebo sečení

Možná příčina:

- Příliš vysoká tráva v poměru k nastavené výšce sečení
- Velice mokrá tráva
- Otupený nebo opotřebovaný žací nůž
- Nedostatečný počet aktivních dob, příliš krátká doba sečení
- Nesprávně nastavená velikost sečené plochy
- Příliš vysoká tráva na sečené ploše
- Dlouhé klidové fáze

Jak odstranit problém:

- Nastavte výšku sečení (⇒ 9.5).
- Nastavte dešťové čidlo (⇒ 11.11)
- Posuňte aktivní doby (⇒ 11.7).
- Vyměňte žací nůž (⇒ 16.4), (✘).
- Prodlužte nebo doplňte aktivní doby (⇒ 11.7)
Prodlužte dobu sečení (⇒ 11.7).
- Vytvořte nový vyžínací plán (⇒ 11.7).
- Aby bylo možné dosáhnout co nejlepších výsledků sečení, potřebuje robotická sekačka k posečení určité velikosti sečené plochy až 2 týdny.
- Povolte sečení za deště (⇒ 11.11)
Prodlužte aktivní doby (⇒ 11.7).

Závada:

Zobrazení na displeji v cizím jazyce

Možná příčina:

- Jazyk byl změněn.

Jak odstranit problém:

- Nastavit jazyk (⇒ 9.7)

Závada:

Na sečené ploše vznikají hnědá místa (odkrývá se zemina).

Možná příčina:

- Nadměrná doba sečení v poměru k sečené ploše
- Omezovací drát byl položen v příliš úzkých poloměrech.
- Nesprávně nastavená velikost sečené plochy

Jak odstranit problém:

- Zkrátit dobu sečení (⇒ 11.7)
- Upravit trasu vedení omezovacího drátu (⇒ 12.)
- Vytvořit nový vyžínací plán (⇒ 11.7)

Závada:

Etapy sečení jsou výrazně kratší než obvykle.

Možná příčina:

- Příliš vysoká nebo mokrá tráva
- Silně znečištěný stroj (žací ústrojí, hnací kola)
- Akumulátor je u konce své životnosti.

Jak odstranit problém:

- Nastavit výšku sečení (⇒ 9.5)
Nastavit dešťové čidlo (⇒ 11.11)
Posunout aktivní doby (⇒ 11.7)
- Vyčistit stroj (⇒ 16.2)
- Vyměnit akumulátor – postupovat v souladu s doporučením zobrazeným na displeji (✘), (⇒ 24.)

Závada:

Robotická sekačka je připojená k dobíjecí stanici, ale akumulátor se nenabíjí.

Možná příčina:

- Akumulátor je dostatečně nabitý.
- Dobíjecí stanice není připojená k elektrické síti
- Chybné připojení stroje k dobíjecí stanici
- Zkorodované nabíjecí kontakty
- Vadný síťový zdroj
- Stroj je v pohotovostním režimu.

Jak odstranit problém:

- Není třeba provádět žádnou další činnost – nabíjení akumulátoru probíhá automaticky v okamžiku, kdy napětí poklesne pod určitou hodnotu
- Zkontrolujte napájení dobíjecí stanice (⇒ 9.8)
- Odstavte robotickou sekačku na sečené ploše, odešlete ji zpět do dobíjecí stanice (⇒ 11.6) a zkontrolujte, zda se správně k ní připojí – pokud ne, upravte polohu dobíjecí stanice (⇒ 9.1)
- Vyměňte nabíjecí kontakty (✘)
- Odpojte síťový zdroj z napájení a vyhledejte odborného prodejce výrobků STIHL (✘)
- Stisknutím libovolného tlačítka uveďte robotickou sekačku do aktivního stavu – zobrazí se indikátor stavu (⇒ 11.2)

Porucha:

Vadný proces připojení k dobíjecí stanici

Možná příčina:

- Nerovnosti v oblasti příjezdu k dobíjecí stanici
- Odstraňte nerovnosti kolem dobíjecí stanice nebo pod ní.
- Základová deska dobíjecí stanice je zohýbaná

- Znečištěná hnací kola nebo základová deska
- Nesprávně uložený omezovací drát v oblasti dobíjecí stanice
- Nezkrácené konce omezovacího drátu

Jak odstranit problém:

- Odstraňte nerovnosti v oblasti příjezdu k dobíjecí stanici (⇒ 9.1)
- Odstraňte nerovnosti kolem dobíjecí stanice nebo pod ní (⇒ 9.1)
- Základovou desku ustavte do vodorovné roviny (⇒ 9.1)
- Vyčistěte hnací kola a základovou desku dobíjecí stanice (⇒ 16.2)
- Znovu uložte omezovací drát – dbejte na správnou instalaci v oblasti dobíjecí stanice (⇒ 9.9).
- Omezovací drát zkraťte podle uvedeného popisu a uložte ho tak, aby volné konce nebyly příliš dlouhé – zbývající délku nenávijete (⇒ 9.10)

Porucha:

Robotická sekačka mine dobíjecí stanici nebo se k ní připojí šikmo.

Možná příčina:

- Signál drátu je rušen vlivem prostředí.
- Nesprávně uložený omezovací drát v oblasti dobíjecí stanice

Jak odstranit problém:

- Proveďte připojení robotické sekačky k dobíjecí stanici znovu – dbejte na to, aby robotická sekačka stála při připojování k dobíjecí stanici rovně (⇒ 11.16).
- Znovu uložte omezovací drát – dbejte na správnou instalaci v oblasti dobíjecí stanice (⇒ 9.9).
Zkontrolujte správné připojení omezovacího drátu k dobíjecí stanici (⇒ 9.10).

Porucha:

Robotická sekačka přešla omezovací drát.

Možná příčina:

- Nesprávně uložený omezovací drát, nesprávně zvolené vzdálenosti
- Příliš velký sklon sečené plochy
- Na robotickou sekačku působí rušivá pole

Jak odstranit problém:

- Zkontrolujte trasu uložení omezovacího drátu (⇒ 11.13), zkontrolujte vzdálenosti pomocí pravítka iMOW® (⇒ 12.5).
- Zkontrolujte trasu uložení omezovacího drátu, vymezte zóny s příliš velkým sklonem svahu (⇒ 11.13).
- Kontaktujte odborného prodejce STIHL (☒).

Porucha:

Robotická sekačka často stojí zaseklá na místě.

Možná příčina:

- Příliš malá výška sečení
- Znečištěná hnací kola
- Jámy nebo překážky na sečené ploše

Jak odstranit problém:

- Nastavte větší výšku sečení (⇒ 9.5).
- Vyčistěte hnací kola (⇒ 16.2).
- Vyplňte jámy na sečené ploše, nainstalujte uzavřené plochy kolem překážek, jako např. kořenů, odstraňte překážky (⇒ 12.).

Porucha:

Nárazové čidlo se neaktivuje, když robotická sekačka narazí na překážku.

Možná příčina:

- Překážka je nižší než 8 cm.

- Překážka není pevně spojená se zemí – např. spadlé ovoce nebo tenisový míček.

Jak odstranit problém:

- Odstraňte překážku nebo ji ohradte jako uzavřenou plochu (⇒ 12.9).
- Odstraňte překážku.

Porucha:

Stopy po kolech u obvodu sečené plochy

Možná příčina:

- Příliš časté sečení u okraje sečené plochy
- Příliš dlouhá doba sečení
- Využívání výchozích bodů
- Akumulátor je u konce své životnosti a dobíjí se tedy velmi často.
- Odsazení od okraje při návratu domů (koridor) není zapnuté.

Jak odstranit problém:

- Vypnout sečení u okraje sečené plochy nebo nastavit interval sečení na jedenkrát týdně (⇒ 11.13).
- Zkraťte dobu sečení .
- Pokud to sečená plocha umožňuje, zajistěte, aby se všechny etapy sečení zahajovaly u dobíjecí stanice (⇒ 11.14).
- Vyměňte akumulátor – postupujte v souladu s doporučením zobrazeným na displeji (☒), (⇒ 24.).
- Zapněte odsazení od okraje při návratu domů (koridor). (⇒ 11.13)

Porucha:

Nesečená tráva u okraje sečené plochy

Možná příčina:

- Vypnutá funkce sečení u okraje
- Nepřesné uložení omezovacího drátu

- Tráva mimo dosah žacího nože

Jak odstranit problém:

- Trávu u okraje sekejte jednou nebo dvakrát týdně (⇒ 11.13).
- Zkontrolujte trasu uložení omezovacího drátu (⇒ 11.13), zkontrolujte vzdálenosti pomocí pravítka iMOW® (⇒ 12.5).
- Nesečené oblasti pravidelně upravujte pomocí vhodného vyžinače.

Porucha:

Žádný signál drátu

Možná příčina:

- Dobíjecí stanice je vypnutá – kontrolka nesvítí.
- Dobíjecí stanice není připojena k elektrické síti – kontrolka nesvítí.
- Omezovací drát není připojen k dobíjecí stanici – bliká červená kontrolka (⇒ 13.1).
- Omezovací drát byl přerušen – bliká červená kontrolka (⇒ 13.1).
- Robotická sekačka není spárována s dobíjecí stanicí.
- Závada elektroniky – kontrolka bliká signál SOS (⇒ 13.1).

Jak odstranit problém:

- Zapněte dobíjecí stanici (⇒ 13.1).
- Zkontrolujte napájení dobíjecí stanice (⇒ 9.8).
- Připojte omezovací drát k dobíjecí stanici (⇒ 9.10).
- Vyhleďte lom drátu (⇒ 16.7) a poté opravte omezovací drát pomocí elektrických konektorů (⇒ 12.16).
- Propojte robotickou sekačku a dobíjecí stanici (⇒ 11.16)
- Kontaktujte odborného prodejce (✖).

Porucha:

Kontrolka na dobíjecí stanici bliká signál SOS.

Možná příčina:

- Nedosažena minimální délka omezovacího drátu.
- Závada elektroniky.

Jak odstranit problém:

- Instalovat AKM 100 (✖)
- Kontaktujte odborného prodejce (✖).

Porucha:

Robotická sekačka nepřijímá signál GPS.

Možná příčina:

- Právě se vytváří spojení s družicemi.
- 3 nebo méně družic v pracovním dosahu
- Stroj se nachází v oblasti nepokryté signálem.

Jak odstranit problém:

- Není třeba provádět žádnou další akci, navázání spojení může trvat několik minut.
- Obejděte nebo odstraňte stínící překážky (např. stromy, přístřešky).

Porucha:

Robotické sekačce se nedaří navázat spojení s mobilním telefonem.

Možná příčina:

- Sečená plocha se nachází v oblasti nepokryté signálem.
- Rádiový modul není aktivován.

Jak odstranit problém:

- Rádiový modul nechte zkontrolovat odborným prodejcem STIHL. (✖)

Porucha:

Robotická sekačka není dohledatelná pomocí aplikace.

Možná příčina:

- Neaktivní rádiový modul
- Robotická sekačka je v pohotovostním režimu.
- Chybí internetové spojení.
- Robotická sekačka není přiřazena ke správné e-mailové adrese.

Jak odstranit problém:

- Rádiový modul se během procesu párování vypne, poté se znovu aktivuje a robotická sekačka je opět dostupná.
- Aktivujte robotickou sekačku stisknutím tlačítka, nastavte energ. režim „Standardní“ (⇒ 11.10).
- Stroj, na kterém je nainstalována aplikace, připojte k internetu.
- Opravte e-mailovou adresu (⇒ 10.).

Porucha:

Vnitřní mapu pro přímý návrat domů nelze vytvořit.

Možná příčina:

- Přerušení nebo zrušení objíždění okraje např. v důsledku překážky, zvednutí
- Chybné uložení drátu
- Vzdálení od omezovacího drátu

Jak odstranit problém:

- Zopakujte objíždění okraje – objíždění okraje musí proběhnout bez přerušení.
- Proveďte objíždění okraje s určitým časovým odstupem
- Opravte uložení drátu

26. Servisní plán

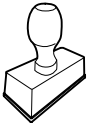
26.1 Potvrzení předání

Model: _____

Sériové číslo:

--	--	--	--	--	--	--	--	--

Datum: | | | | | | | | | |



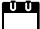
Další servis


Datum: | | | | | | | | | |

26.2 Potvrzení servisu

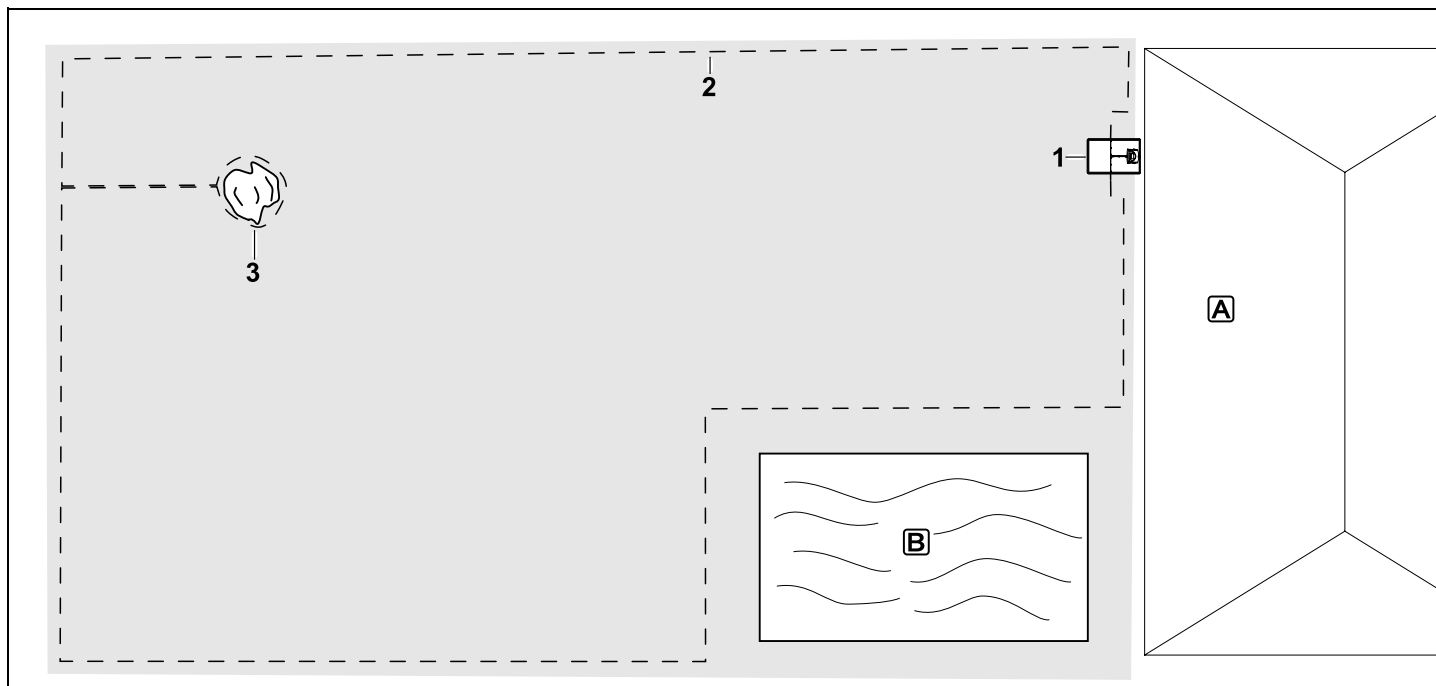


Při provádění údržbářských prací odevzdejte tento návod k použití Vašemu odbornému prodejci STIHL. Ten pak do předtištěných polí potvrdí provedení servisních prací.

 Servis proveden dne

 Datum dalšího servisu

27. Příklady pro instalaci



Obdélníková sečená plocha s jedním stromem a bazénem

Dobíjecí stanice:

Stanoviště (1) v bezprostřední blízkosti domu **A**

Uzavřená plocha::

Omezovací drát nainstalujte kolem samostatně stojícího stromu (3) tak, aby vycházel z propojovací trasy vedené kolmo k okraji sečené plochy.

Bazén:

Z bezpečnostních důvodů (předepsaná vzdálenost drátu) je omezovací drát (2) veden mimo bazén **B**.

Vzdálenosti drátu: (⇒ 12.5)

Vzdálenost od okraje: **28 cm**

Vzdálenost od sousední sjízdné plochy (např. chodníku) s výškou nerovnosti nepřesahující +/- 1 cm: **0 cm**

Vzdálenost kolem stromu: **28 cm**

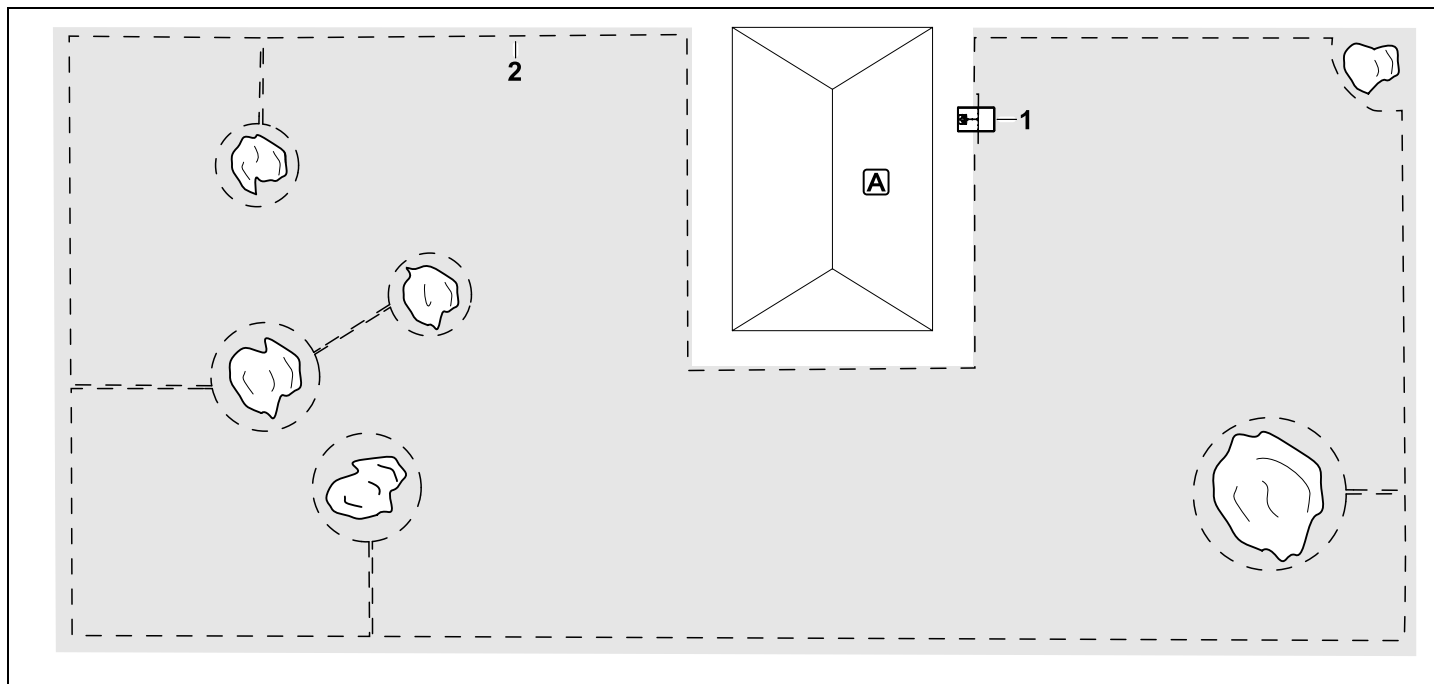
Vzdálenost od vodní plochy: **100 cm**

Programování:

Po stanovení velikosti sečené plochy není třeba provádět žádná další nastavení.

Zvláštnosti:

Neupravované oblasti kolem bazénu pravidelně manuálně sečte, popř. upravujte pomocí vhodného vyžínače.



Sečená plocha tvaru U s několika samostatně stojícími stromy

Dobíjecí stanice:

Stanoviště (1) v bezprostřední blízkosti domu **A**

Uzavřené plochy:

Omezovací drát nainstalujte kolem samostatně stojících stromů tak, aby vždy vycházel z propojovací trasy vedené kolmo k obvodu sečené plochy (2). Propojovací trasa spojí 2 uzavřené plochy.

Vzdálenosti drátu: (⇒ 12.5)

Vzdálenost od okraje: **28 cm**

Vzdálenost od sousední sjezdové plochy (např. chodníku) s výškou nerovnosti nepřesahující +/- 1 cm: **0 cm**

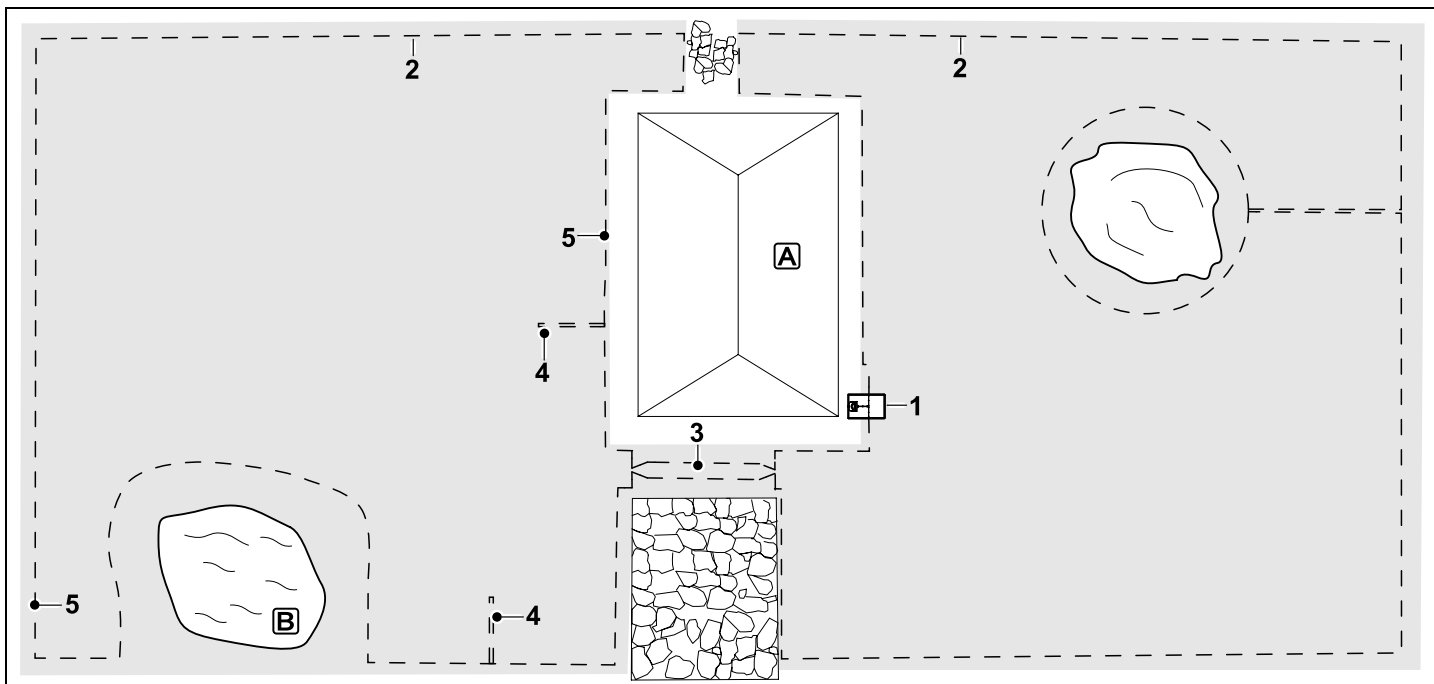
Vzdálenost kolem stromů: **28 cm**

Programování:

Po stanovení velikosti sečené plochy není třeba provádět žádná další nastavení.

Zvláštnosti:

Strom v rohu sečené plochy – Trávu za vymezeným stromem pravidelně udržujte pomocí vhodného vyžínáče nebo ji nechte volně růst.



Sečená plocha rozdělená na dvě části s rybníčkem a samostatně stojícím stromem

Dobíjecí stanice:

Stanoviště (1) v bezprostřední blízkosti domu (A)

Uzavřená plocha:

Omezovací drát nainstalujte kolem samostatně stojícího stromu tak, aby vycházel z propojovací trasy vedené kolmo k okraji sečené plochy.

Rybníček:

Z bezpečnostních důvodů (předepsaná vzdálenost drátu) je omezovací drát (2) veden mimo rybníček (B).

Vzdálenosti drátu: (⇒ 12.5)

Vzdálenost od okraje: **28 cm**

Vzdálenost od sousední sjezdové plochy

(např. chodníku) s výškou nerovnosti nepřesahující +/- 1 cm: **0 cm**

Okolo stromu: **28 cm**

Vzdálenost od vodní plochy: **100 cm**

Úzký průchod:

Vytvoření úzkého průchodu (3).

Vzdálenost mezi dráty: **22 cm** (⇒ 12.11)

Vyhledávací smyčky:

Instalace dvou vyhledávacích smyček (4) k používání funkce odsazení od okraje při návratu domů. (⇒ 11.13)

Minimální vzdálenost od vjezdu do úzkého průchodu: **2 m**

Dodržujte minimální vzdálenost od rohů.

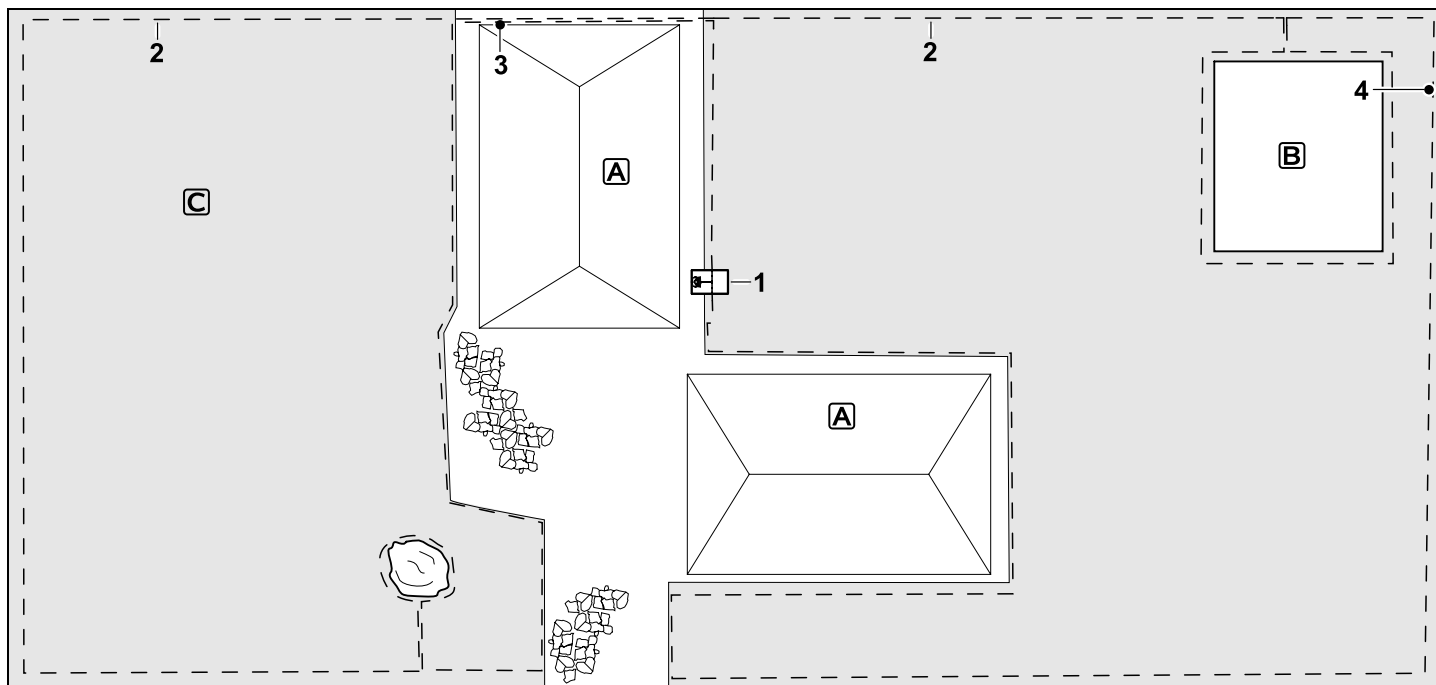
(⇒ 12.12)

Programování:

Určete celkovou velikost sečené plochy, naprogramujte 2 výchozí body (5) (v blízkosti dobíjecí stanice a v klikatém rohu u rybníčku). (⇒ 11.14)

Zvláštnosti:

Neupravované oblasti, např. kolem rybníčku, pravidelně manuálně sečte nebo je upravujte pomocí vhodného vyžinače.



Sečená plocha rozdělená na dvě části – robotická sekačka nemůže samostatně přejet z jedné části na druhou.

Dobíjecí stanice:

Stanoviště (1) v bezprostřední blízkosti domu **A**

Uzavřené plochy:

Omezovací drát nainstalujte kolem samostatně stojícího stromu a zeleninové zahrádky **B** tak, aby vycházel z propojovací trasy vedené kolmo k okraji sečené plochy.

Vzdálenosti drátu: (⇒ 12.5)

Vzdálenost od sousední sjízdňné plochy (např. terasy) s výškou nerovnosti nepřesahující +/- 1 cm: **0 cm**

Vzdálenost od vysokých překážek: **28 cm**

Vzdálenost od stromu: **28 cm**

Minimální vzdálenost drátu v úzkých místech za zeleninovou zahrádkou: **44 cm**

Vedlejší plocha:

Při instalaci vedlejší plochy **C** uložte drát propojovací trasy (3) na terase domu do kabelového kanálu.

Programování:

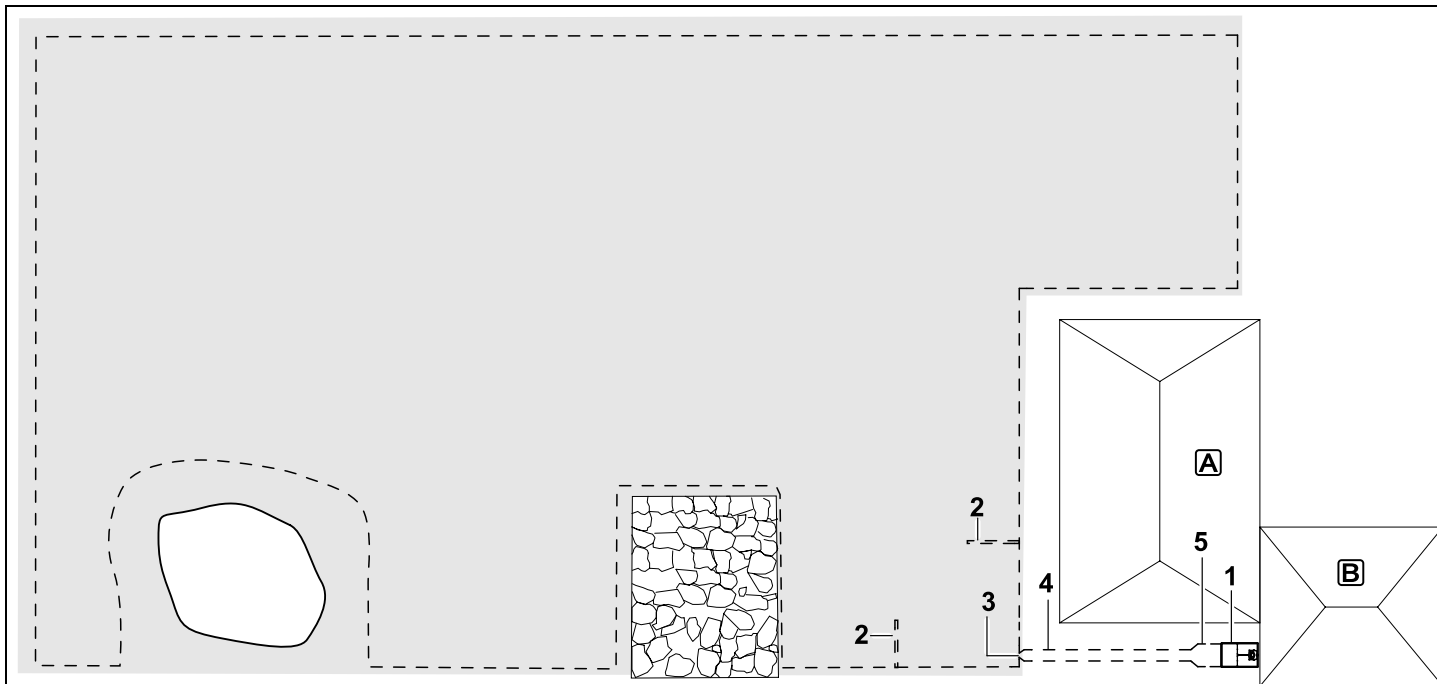
Určete velikost sečené plochy (bez vedlejší plochy), naprogramujte 1 výchozí bod (4) v úzkém místě k používání funkce odsazení od okraje při návratu domů (⇒ 11.13) – četnost startů 2 z 10 výjezdů (⇒ 11.14).

Zvláštnosti:

Robotickou sekačku přeneste několikrát týdně na vedlejší plochu a aktivujte nabídku „Start“. (⇒ 11.5)

Zohledněte plošný výkon. (⇒ 14.4)

V případě potřeby vytvořte dvě oddělené sečené plochy a do každé z nich umístěte jednu dobíjecí stanici.



Sečená plocha s dobíjecí stanicí mimo sečenou plochu (1)

Dobíjecí stanice:

Stanoviště (1) přímo u garáže (B) a za domem (A).

Vzdálenosti drátu: (⇒ 12.5)

Vzdálenost od okraje: **28 cm**

Vzdálenost od sousední sjízdny plochy

(např. terasy) s výškou nerovnosti

nepřesahující +/- 1 cm: **0 cm**

Vzdálenost od vodní plochy: **100 cm**

Vyhledávací smyčky:

Instalace dvou vyhledávacích smyček (2) k používání funkce odsazení od okraje při návratu domů. (⇒ 11.13)

Minimální vzdálenost od vjezdu do úzkého

průchodu: **2 m**

Dodržujte minimální vzdálenost od rohů. (⇒ 12.12)

Programování:

Stanovení velikosti sečené plochy a stanovení alespoň jednoho výchozího bodu mimo úzký průchod k dobíjecí stanici. (⇒ 11.14)

Zvláštnosti:

Instalace úzkého průchodu (4) s trychtýřovitým vjezdem (3). (⇒ 12.11)
Vzdálenost mezi dráty: 22 cm

Úzký průchod (4) vede k dobíjecí stanici mimo sečenou plochu (1). Jeden metr od dobíjecí stanice je třeba zvětšit vzdálenost omezovacího drátu v úzkém průchodu na

šířku základní desky (5). (⇒ 9.1)

Dbejte na potřebný prostor v úzkém průchodu a vedle dobíjecí stanice.

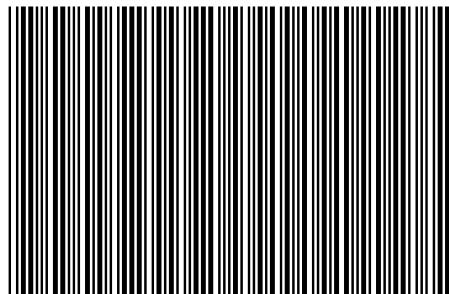
28. Open-source software

Tento produkt obsahuje otevřený (open-source) software chráněný autorskými právy, který byl vydán příslušnými autory za určitých licenčních podmínek, jako jsou např. „GNU General Public License“ (GPL), „GNU Lesser General Public License“ (LGPL), „Apache License“ a podobných licencí. Pokud tento návod k použití obsahuje informace autorského práva, podmínky používání nebo licenční ustanovení, které jsou v rozporu s platnou Open-source licencí, pak se nebudou uplatňovat. Používání a distribuce obsaženého open-source softwaru podléhá výhradně Open-Source licenci. Pokud vám příslušná licence uděluje právo na zdrojový kód tohoto softwaru anebo na jiné doplňkové údaje, můžete jej obdržet v průběhu tří let po našem posledním dodání produktu a v případě, že to licenční podmínky vyžadují, tak dlouho, dokud budeme poskytovat k produktu zákaznickou podporu. Chcete-li od nás obdržet kompletní odpovídající zdrojový kód, odešlete e-mail na adresu oss@stihl.de. Pokud chcete obdržet kompletní odpovídající zdrojový kód na fyzickém médiu (jako je např. CD-ROM), budou vám účtovány náklady za fyzickou distribuci zdrojového kódu. Tato nabídka platí pro každého, kdo obdrží tuto informaci.

Aktuální seznam právě obsažených Open-source součástí můžete najít na následující adrese:
<http://opensource.stihl.com/>

STIHL RMI 522 C

STIHL



0478 131 9265 C

C **OST 1**