

STIHL RME 235

STIHL



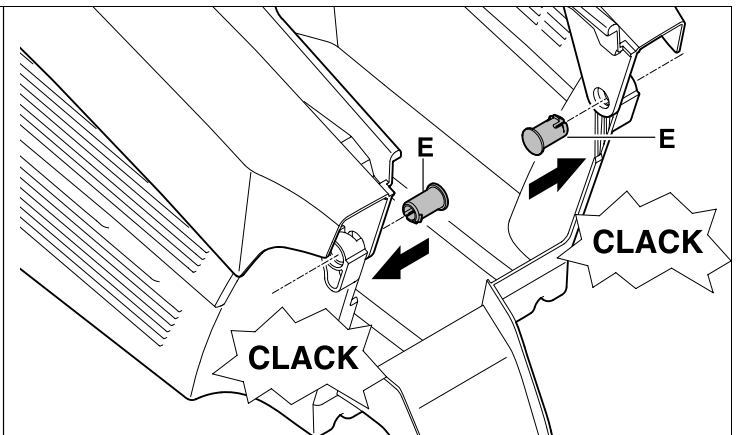
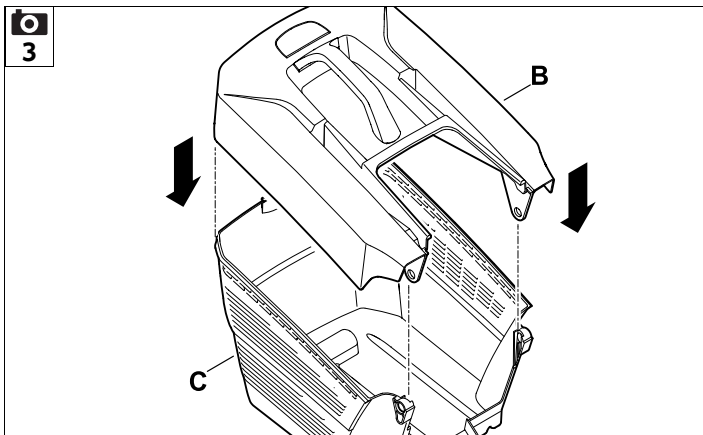
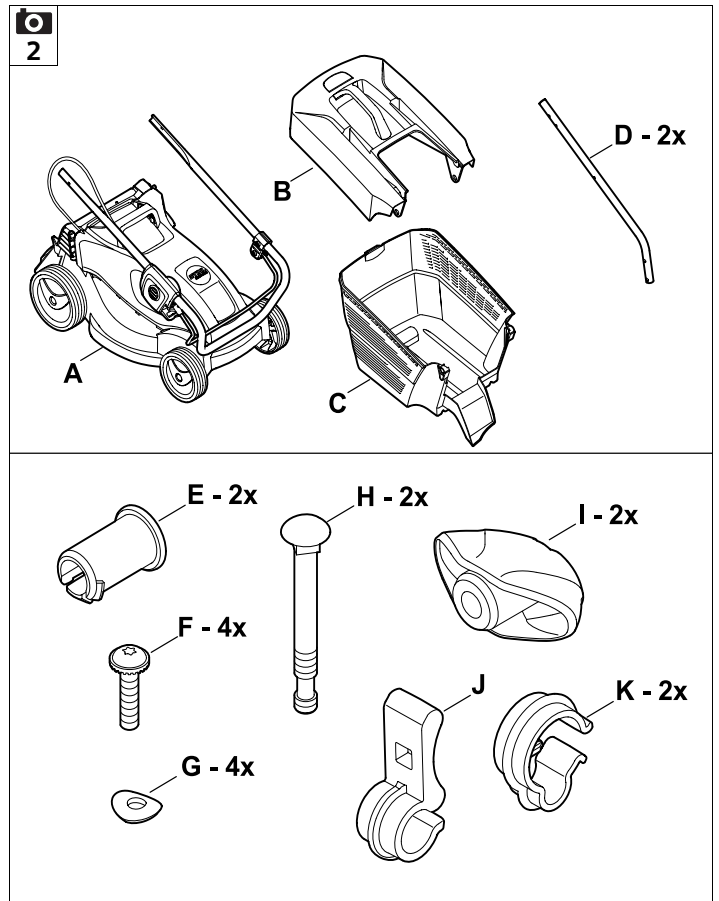
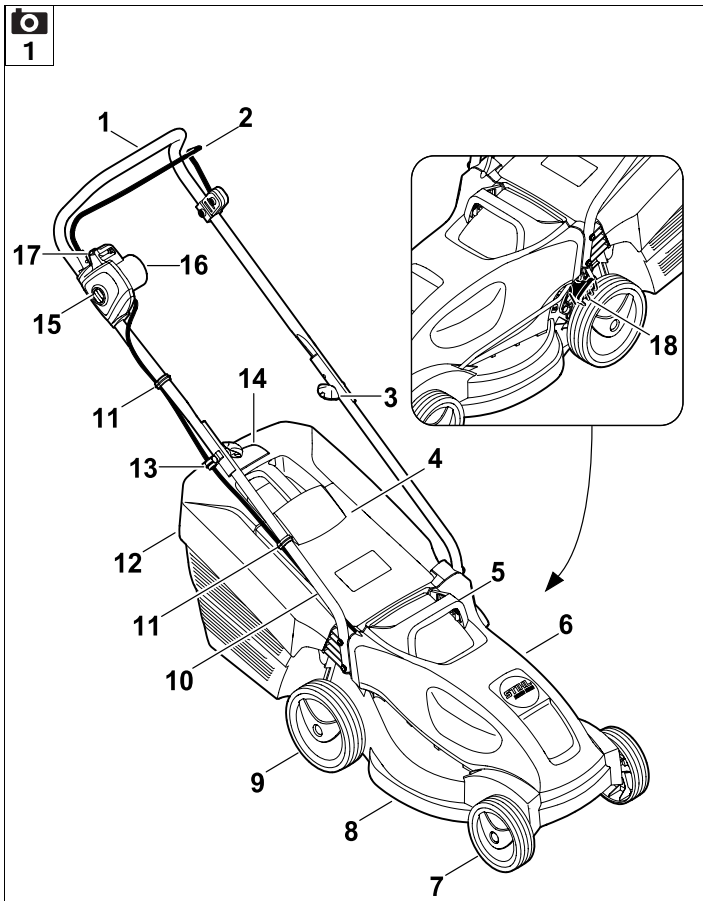
- EN** Instruction manual
- ES** Manual de instrucciones
- PT** Manual de utilização
- NO** Bruksanvisning
- SV** Bruksanvisning
- FI** Käyttöopas
- DA** Betjeningsvejledning
- EL** Οδηγίες χρήσης
- BG** Инструкция за експлоатация
- UK** Посібник з експлуатації

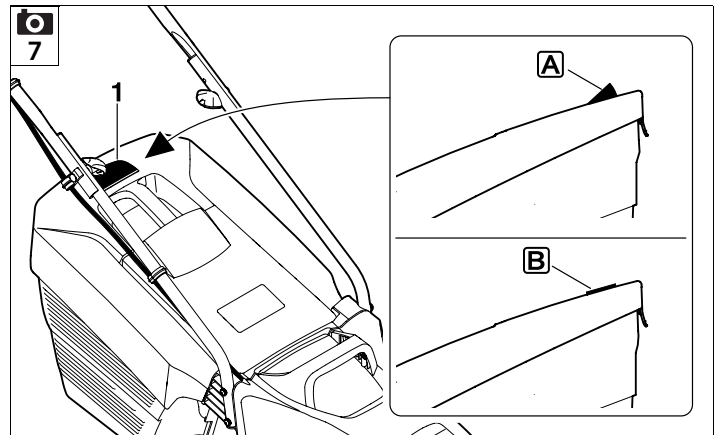
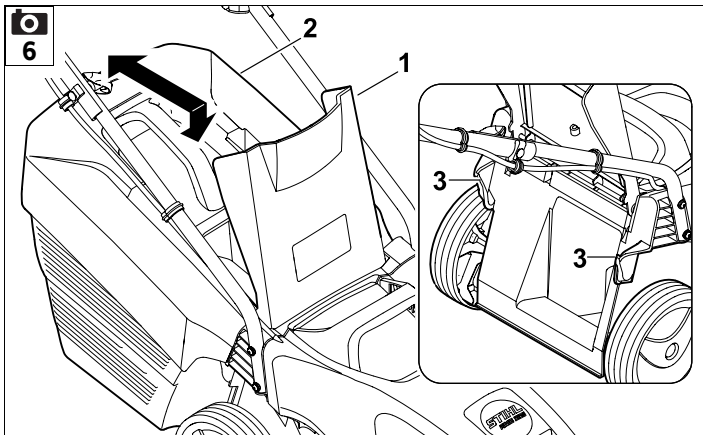
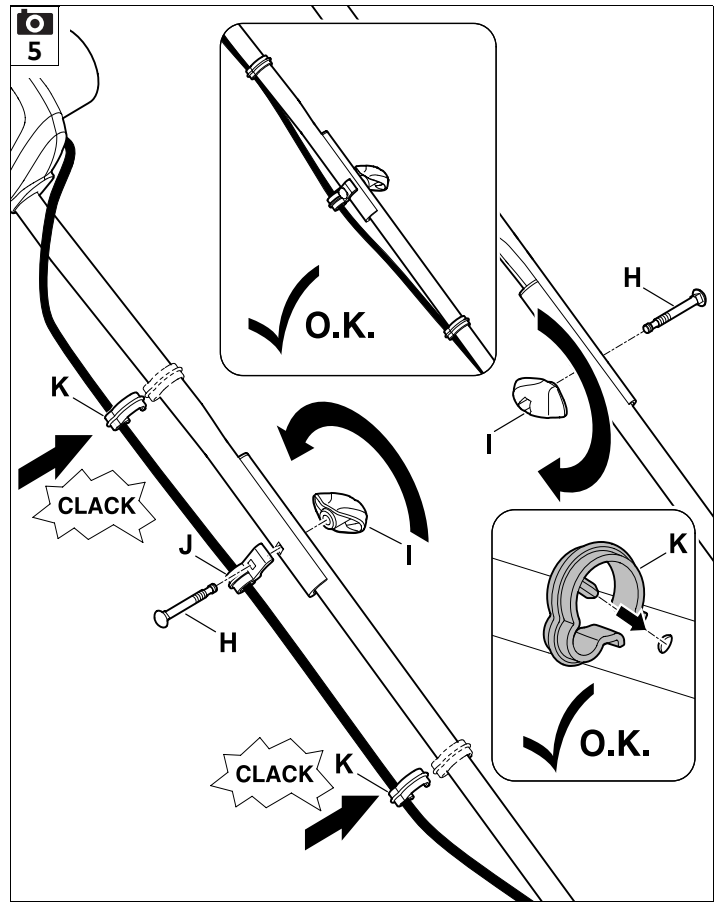
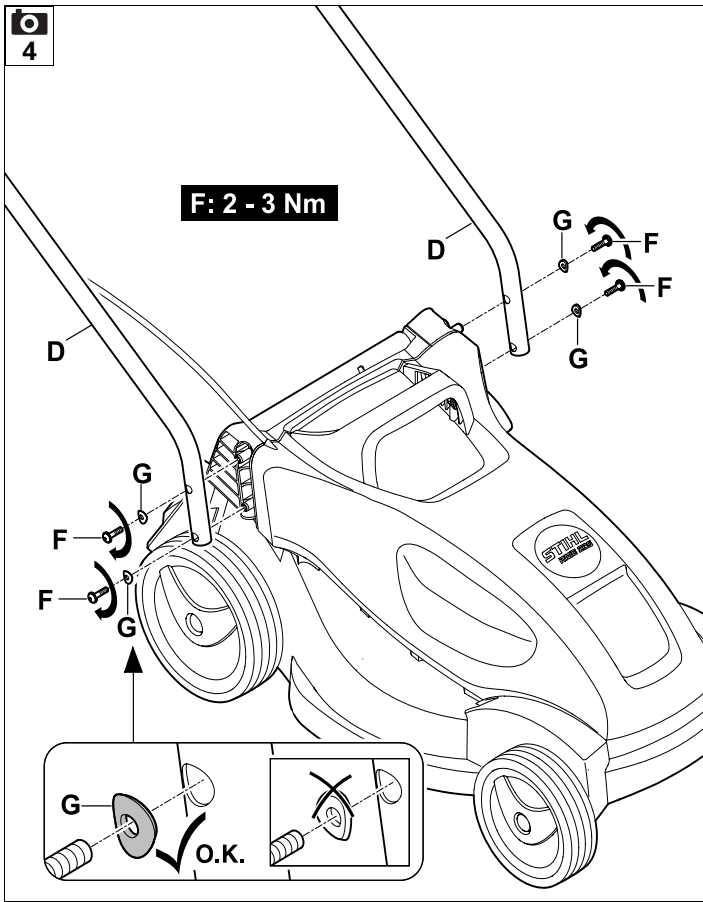
RME 235.0

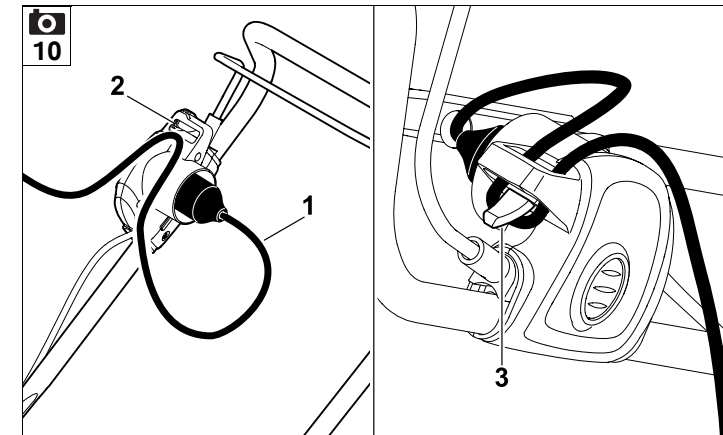
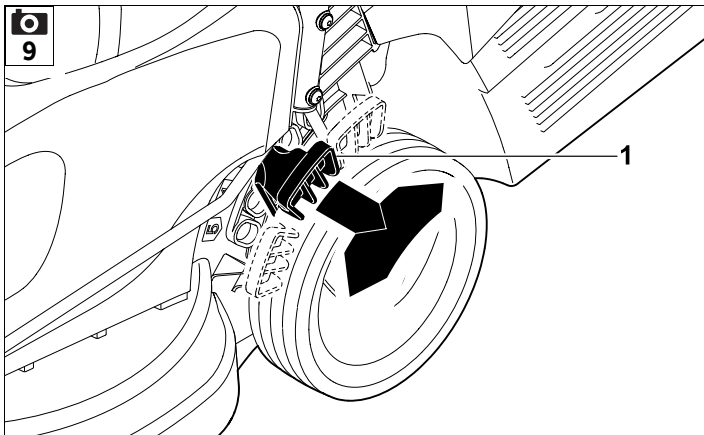
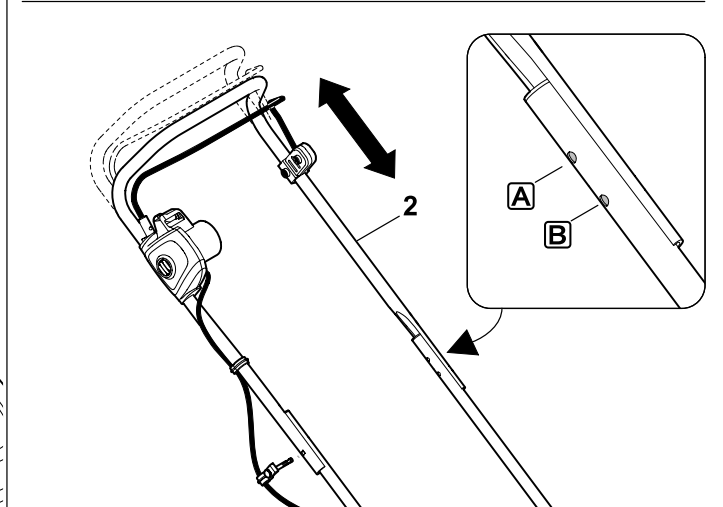
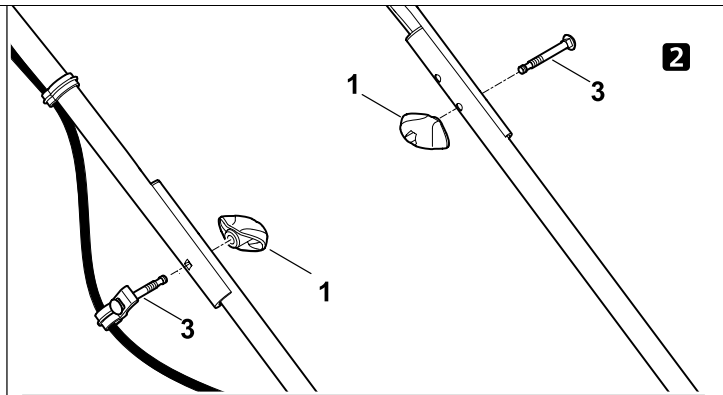
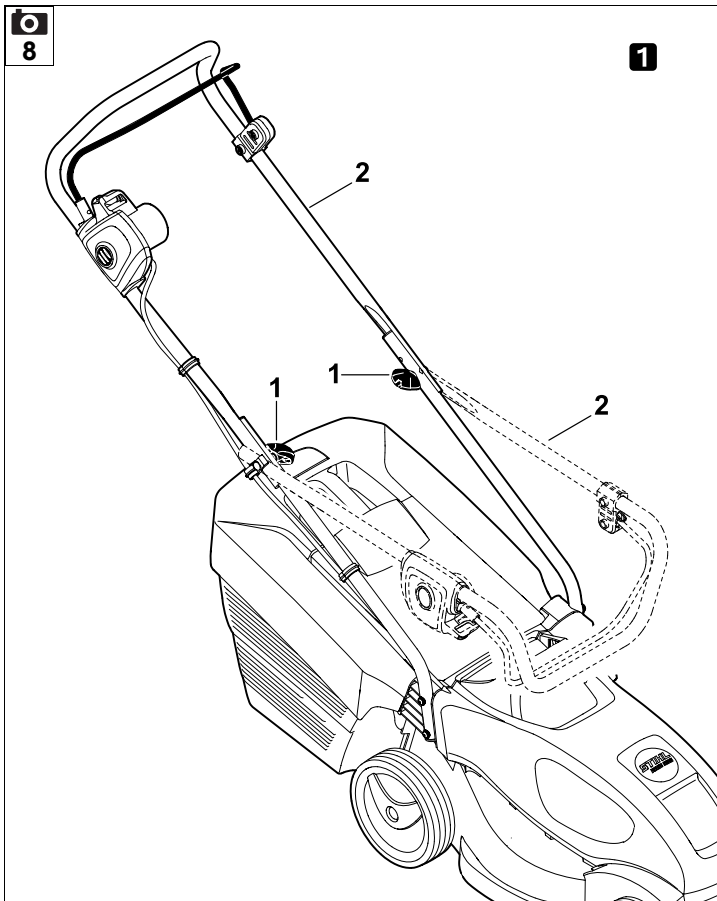
B

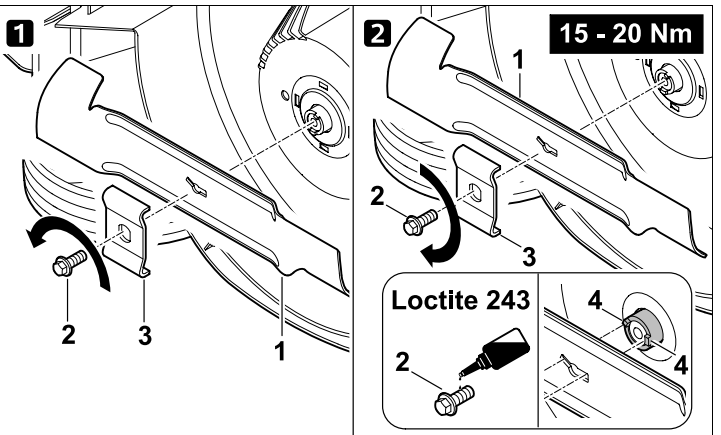
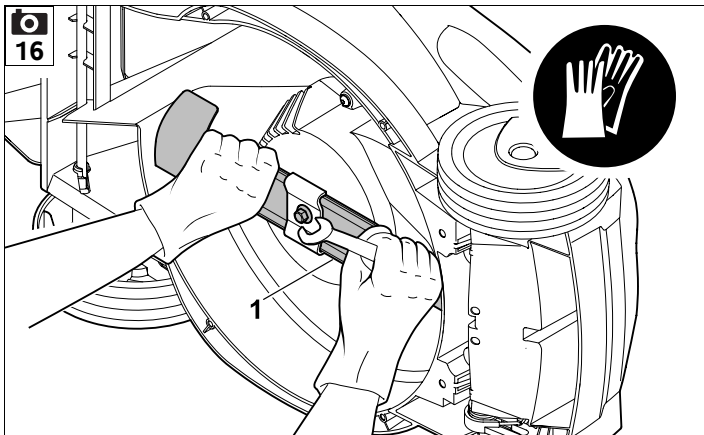
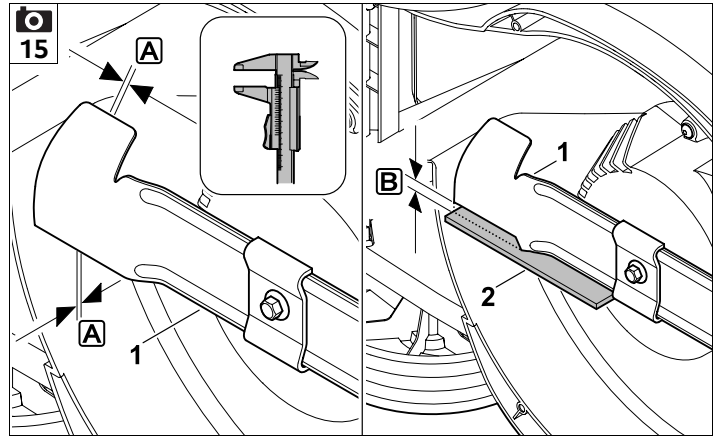
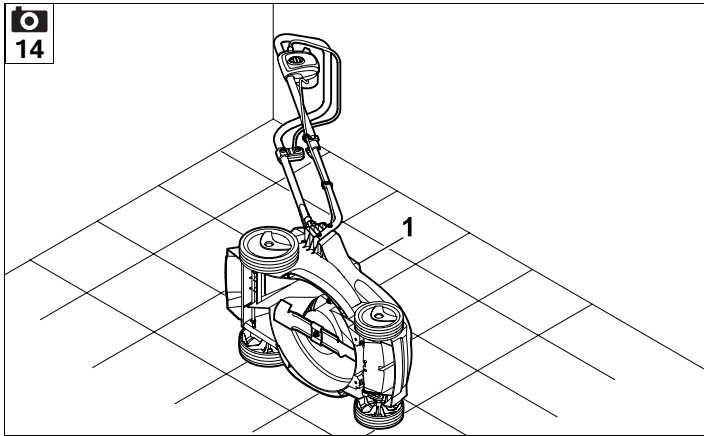
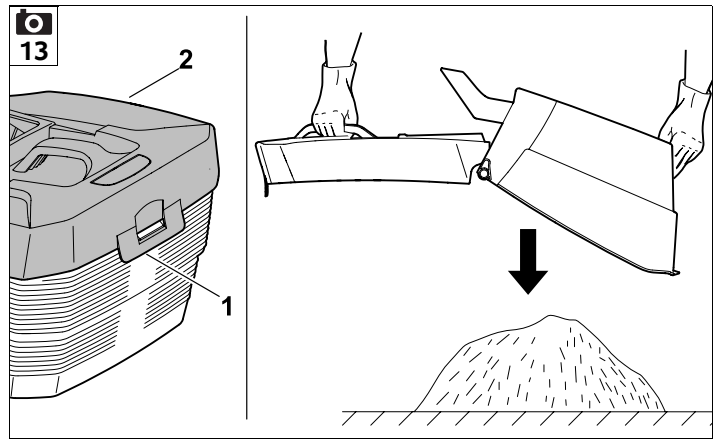
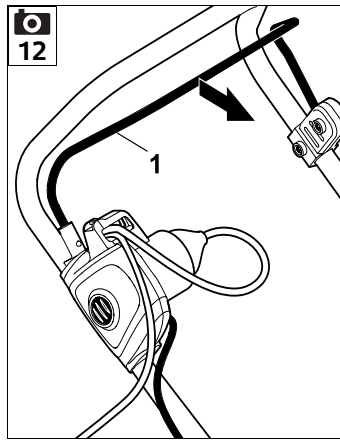
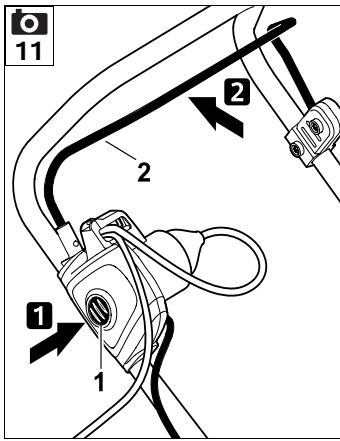
INT 2



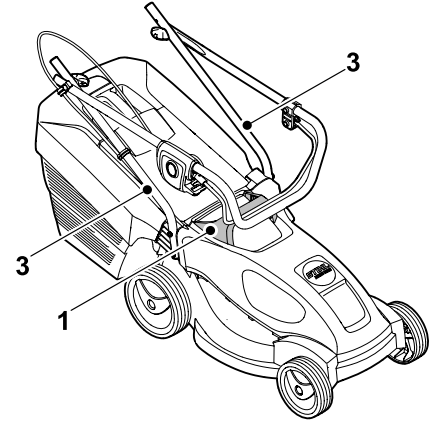
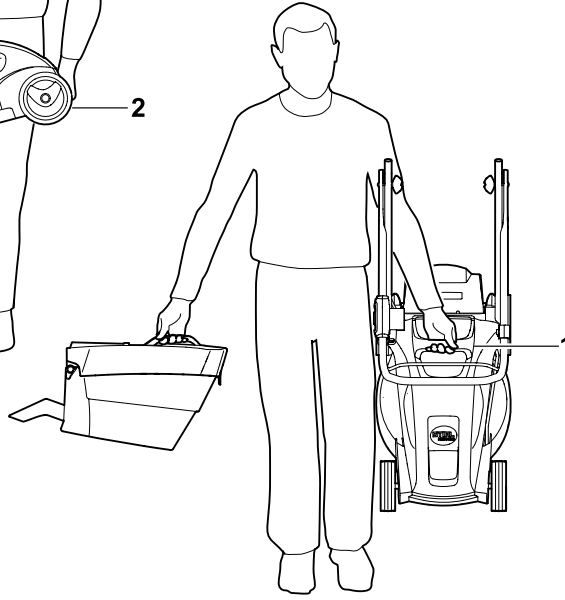
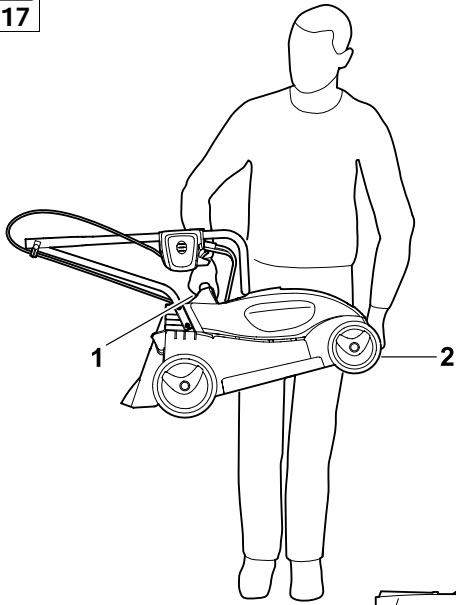




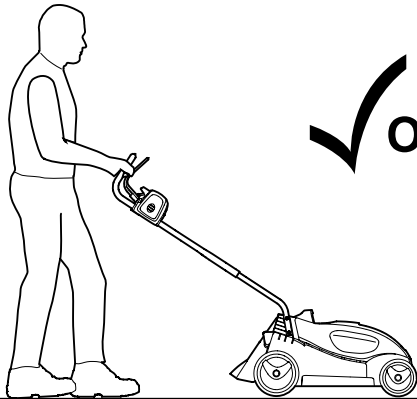




17

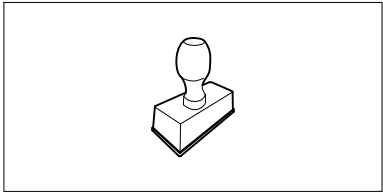


18



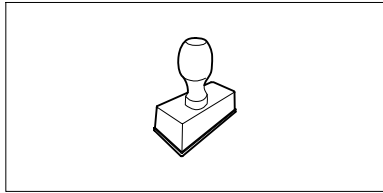
✓ O.K.

UU _____ 2.0



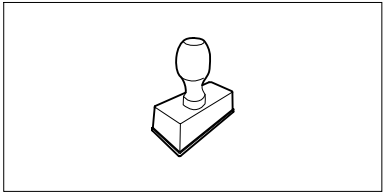
UU _____ 2.0

UU _____ 2.0



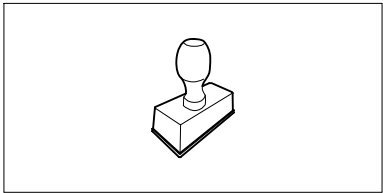
UU _____ 2.0

UU _____ 2.0



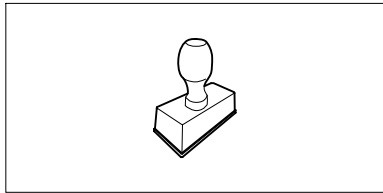
UU _____ 2.0

UU _____ 2.0



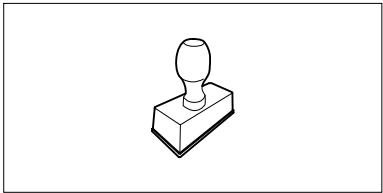
UU _____ 2.0

UU _____ 2.0



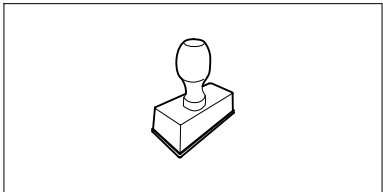
UU _____ 2.0

UU _____ 2.0



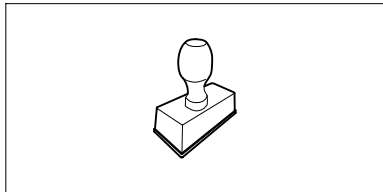
UU _____ 2.0

UU _____ 2.0



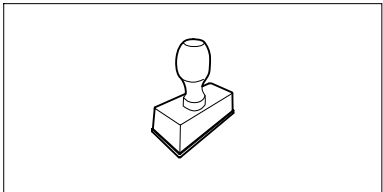
UU _____ 2.0

UU _____ 2.0



UU _____ 2.0

UU _____ 2.0



UU _____ 2.0

Dear Customer,

Thank you for choosing STIHL. We develop and manufacture our quality products to meet our customers' requirements. The products are designed for reliability even under extreme conditions.

STIHL also stands for premium service quality. Our specialist dealers guarantee competent advice and instruction as well as comprehensive service support.

We thank you for your confidence in us and hope you will enjoy working with your STIHL product.



Dr. Nikolas Stihl

IMPORTANT: READ BEFORE USE AND KEEP IN A SAFE PLACE.

1. Table of contents

Notes on the instruction manual	8		
General	8		
Instructions for reading the instruction manual	8		
Country-specific versions	8		
Machine overview	8		
For your safety	9		
General	9		
Warning – dangers caused by electrical current	10		
Clothing and equipment	10		
Transporting the machine	11		
Before operation	11		
During operation	11		
Maintenance, cleaning, repairs and storage	13		
Storage for prolonged periods without operation	14		
Disposal	14		
Description of symbols	14		
Preparing the machine for operation	14		
Assembling lawn mower	14		
Controls	15		
Grass catcher box	15		
Level indicator	15		
Handlebar	15		
Central cutting height adjustment	15		
Notes on working with the machine	16		
General points	16		
Correct motor load	16		
If the mowing blade blocks	16		
Thermal motor overload protection	16		
		Working area for operator	16
		Safety devices	16
		Safety devices	16
		Two-hand operation	16
		Motor run-down brake	16
		Operating the machine	17
		Electrical connection	17
		Strain relief	17
		Switching on the lawn mower	17
		Switching off lawn mower	17
		Emptying the grass catcher box	17
		Maintenance	17
		General	17
		Cleaning the machine	18
		Electric motor and wheels	18
		Upper handlebar	18
		Mowing blade maintenance	18
		Removing and installing the mowing blade	18
		Sharpening the mowing blade	18
		Storage (winter break)	19
		Transport	19
		Transport	19
		Minimising wear and preventing damage	19
		Environmental protection	20
		Standard spare parts	20
		Declaration of conformity	20
		EU declaration of conformity – STIHL RME 235.0 lawn mower	20
		Technical specifications	21
		REACH	21
		Troubleshooting	21
		Service schedule	22
		Handover confirmation	22
		Service confirmation	22

2. Notes on the instruction manual

2.1 General

This instruction manual constitutes **original manufacturer's instructions** in the sense of EC Directive 2006/42/EC.

STIHL is continually striving to further develop its range of products; we therefore reserve the right to make alterations to the form, technical specifications and equipment level of our standard equipment.

For this reason, the information and illustrations in this manual are subject to alterations.

This instruction manual may describe models that are not available in all countries.

This instruction manual is protected by copyright. All rights reserved, especially the right of reproduction, translation and processing using electronic systems.

2.2 Instructions for reading the instruction manual

Illustrations and texts describe specific operating steps.

All symbols which are affixed to the machine are explained in this instruction manual.

Viewing direction:

Viewing direction when "**left**" and "**right**" are used in the instruction manual: the user is standing behind the machine and is looking forwards in the direction of travel.

Section reference:

References to relevant sections and subsections for further descriptions are made using arrows. The following example shows a reference to a section: (⇒ 3.)

Designation of text passages:

The instructions described can be identified as in the following examples.

Operating steps which require intervention on the part of the user:

- Release bolt (1) using a screwdriver, operate lever (2)...

General lists:

- Use of the product for sporting or competitive events

Texts with added significance:

Text passages with added significance are identified using the symbols described below in order to especially emphasise them in the instruction manual:



Danger

Risk of accident and severe injury to persons. A certain type of behaviour is necessary or must be avoided.



Warning

Risk of injury to persons. A certain type of behaviour prevents possible or probable injuries.



Caution

Minor injuries or material damage can be prevented by a certain type of behaviour.



Note

Information for better use of the machine and in order to avoid possible operating errors.

Texts relating to illustrations:

Illustrations relating to use of the machine can be found in the front of this instruction manual.

The camera symbol serves to link the figures on the illustration pages with the corresponding text passages in the instruction manual.



2.3 Country-specific versions

STIHL supplies machines with different plugs and switches, depending on the country of sale.

Machines with European plugs are shown in the illustrations. Machines with other types of plug are connected to the mains in a similar way.

3. Machine overview



- 1 Upper handlebar
- 2 Motorstop lever
- 3 Rotary handle
- 4 Discharge flap
- 5 Transport handle
- 6 Motor hood
- 7 Front wheel
- 8 Housing
- 9 Rear wheel

- 10 Lower handlebar
- 11 Cable clip
- 12 Grass catcher box
- 13 Cable guide
- 14 Level indicator
- 15 Start button
- 16 Mains connection
- 17 Strain relief
- 18 Height adjustment lever

4. For your safety

4.1 General



These safety regulations must be observed when working with the machine.



Read the entire instruction manual before using the machine for the first time. Keep the instruction manual in a safe place for future reference.

These safety precautions are essential for your safety, however the list is not exhaustive. Always use the machine in a reasonable and responsible manner and be aware that the user is responsible for accidents involving third parties or their property.

Make sure that you are familiar with the controls and use of the machine.

The machine must only be used by persons who have read the instruction manual and are familiar with operation of the machine. The user should seek expert and practical instruction prior to initial operation. The user must receive instruction on safe use of the machine from the vendor or another expert.

During this instruction, the user should be made aware that the utmost care and concentration are required for working with the machine.

Residual risks persist even if you operate this machine according to the instructions.



Risk of death from suffocation! Packaging material is not a toy - danger of suffocation! Keep packaging material away from children.

Only give or lend the machine, including any accessories, to persons who are familiar with this model and how to operate it. The instruction manual forms part of the machine and must always be provided to persons borrowing it.

The machine must only be operated by persons who are well rested and in good physical and mental condition. If your health is impaired, you should consult your doctor to determine whether working with the machine is possible. The machine should not be operated after the consumption of alcohol, drugs or medications which impair reactions.

Make sure that the user is physically, sensorily and mentally capable of operating the machine and working with it. If the user is physically, sensorily or mentally impaired, the machine must only be used under supervision or following instruction by a responsible person.

Make sure that the user is of legal age or being trained under supervision in a profession in accordance with national regulations.

The machine is intended for private use.

Caution – risk of accident:

The machine is only intended for mowing lawns. Its use for other purposes is not permitted and may be dangerous or result in damage to the machine.

Due to the physical danger to the user, the machine must not be used for the following applications (incomplete list):

- for trimming bushes, hedges and shrubs,
- for cutting creepers,
- for the care of lawn roofs and balcony boxes,
- for shredding or chopping tree or hedge cuttings,
- for clearing paths (vacuuming, blowing),
- for levelling earth mounds, e.g. mole hills,
- for transporting clippings, except in the grass catcher box intended for this purpose.

For safety reasons, any modification to the machine, except the proper installation of accessories approved by STIHL, is forbidden and results in voiding of the warranty cover. Information regarding approved accessories can be obtained from your STIHL specialist dealer.

In particular, any tampering with the machine which increases the power output or speed of the engine or motor is forbidden.

It is not permitted to transport objects, animals or persons, particularly children, on the machine.

Particular care is required during use in public green spaces, parks, sports fields, along roads and in agricultural and forestry businesses.



Caution! Danger to health due to vibrations. Excessive exposure to vibrations can result in damage to the

cardiovascular or nervous system, particularly in persons with cardiovascular problems. Please consult a physician if you experience symptoms that may have been caused by vibrational loads. Symptoms of this kind principally affect the fingers, hands or wrists and include (incomplete list):

- numbness,
- pain,
- muscular weakness,
- skin discolouration,
- unpleasant tingling sensation.

Hold the handlebar tightly, but not tensed, with both hands in the designated locations during operation.

Plan your working times so that more severe physical strains over a longer period are avoided.

4.2 Warning – dangers caused by electrical current



**Warning:
Risk of electric shock!**

Particularly important for electrical safety are the power cable, mains plug, On / Off switch and electric cable. Damaged cables, connectors and plugs, or electric cables that do not conform to regulations must not be used, to prevent any risk of electric shocks.



Therefore, check the electric cable regularly for signs of damage or ageing (brittleness).

Only operate machine with fully uncoiled power cable.

Extension reels must always be fully unwound before use.

Never use a damaged extension cable. Replace defective cables with new ones and never repair extension cables.

Never use the machine if the cables are damaged or worn. Check the power cable in particular for damage and ageing.

Maintenance and repair work on power cables must only be performed by specially qualified technicians.

Danger of electric shock!

Do not connect a damaged cable to the mains and only touch a damaged cable once it has been disconnected from the mains.

Danger of electric shock!

Damaged cables, connectors and plugs, or electric cables which do not conform with regulations may not be used.

Only touch the cutting units (blades) when the machine is disconnected from the mains.

Always ensure that the power cables used are adequately protected by a fuse.



Although the motor is splashproof, do not use the machine when it is raining or in a wet environment.

Only use extension cables that are insulated against moisture for outdoor use which are suitable for use with the machine (⇒ 10.1).

Keep the electric cable away from the blade when mowing.

Detach electric cables at the plug and socket and not by pulling on the electric cable.

It must be noted that current fluctuations can damage the machine when it is connected to a power generator.

Only connect the machine to a power supply that is protected by means of a residual current-operated protective device with a release current of a maximum of 30 mA. Your electrician can provide further information.

For reasons of electrical safety, the electric cable must always be correctly installed on the handlebar.

4.3 Clothing and equipment



Always wear sturdy footwear with high-grip soles when working. Never work barefoot or, for example, in sandals.



Also always wear sturdy gloves and tie up and secure long hair (headscarf, cap, etc.) when performing maintenance and cleaning work or when transporting the machine.



Wear suitable safety glasses when sharpening the mowing blade.

Always wear long trousers and tight-fitting clothing when operating the machine.

Never wear loose clothes which may become caught on moving parts (control levers) – do not wear jewellery, ties or scarves.

4.4 Transporting the machine

Always wear gloves in order to prevent injuries due to sharp-edged and hot components.

Switch off the machine prior to transport, disconnect the power cable and allow the blade to come to a standstill.

Only transport the machine once the motor has cooled down.

Take the weight of the machine into account and use suitable loading aids (loading ramps, lifters) if necessary.

Secure the machine and any machine components being transported (e.g. grass catcher box) on the load floor using fastening material of adequate size (belts, ropes, etc.).

Avoid contact with the mowing blade when lifting and carrying the machine.

Observe the information in the section "Transport". It describes how to lift and lash the machine. (⇒ 12.1)

When transporting the machine, always observe regional legislation, especially regarding load security and the transport of objects on load floors.

4.5 Before operation

Make sure that only persons who are familiar with the instruction manual are permitted to use the machine.

Observe the local regulations regarding permitted operating times for gardening power tools with combustion engines or electric motors.

Carefully inspect the complete area on which the machine is to be used and remove any stones, sticks, wires, bones and other foreign objects which could be thrown up by the machine. Obstacles (e.g. tree stumps, roots) can be easily overlooked in long grass.

For this reason, mark all foreign objects (obstacles) which are hidden in the lawn and cannot be removed before commencing work with the machine.

All faulty, worn or damaged parts must be replaced before using the machine.

Replace any illegible or damaged danger signs and warnings on the machine. Your STIHL specialist has a supply of replacement stickers and all the other spare parts.

The machine must only be used in good operating condition. Before each use, check whether:

- The machine is properly assembled.

- The cutting tool and the entire cutting unit (mowing blade, fastening elements, mowing deck housing) are in good condition. In particular check for secure fastening, damage (notches or cracks) and wear.

- The safety devices (e.g. discharge flap, housing, handlebar, motorstop lever) are in good condition and working properly.

- The grass catcher box is undamaged and correctly installed; a damaged grass catcher box must not be used.

- The run-down brake of the electric motor is functioning.

Carry out any necessary work or consult a specialist dealer. STIHL recommends STIHL specialist dealers.

Observe the instructions in section "Dangers caused by electrical current" (⇒ 4.2).

Never switch the motor on without a correctly installed blade. Risk of motor overheating.

4.6 During operation



Never work when animals or people, particularly children, are in the danger area.

The switch and safety devices installed in the machine must not be removed or bypassed. In particular, never secure the motorstop lever to the handlebar (e.g. by tying it).

The handlebar must always be installed correctly and must not be modified. Never operate the machine with the handlebar folded down.

Never attach any objects to the handlebar (e.g. work clothing). Extension cables must never be wrapped around the handlebar.

Only work during the day or with good artificial light.

Do not work at ambient temperatures below +5°C (41°F).

Do not operate the machine in the rain or during thunder storms, particularly when there is a risk of lightning strike.

The risk of accidents is higher if the ground is damp due to increased danger of slipping.

Particular caution should be exercised during working in order to prevent slipping. If possible, avoid using the machine when the ground is damp.

Do not leave the machine in the rain.

Switching on the machine:

Exercise care when switching on the machine and observe the instructions in the section "Initial operation of the machine". (⇒ 10.)

Keep your feet a safe distance from the cutting tool.

Place the machine on an even surface before switching it on.

The machine must not be tilted before it is switched on or during switching-on.

Do not switch on the motor if the discharge chute is not covered by the discharge flap or the grass catcher box.

Avoid switching the machine on repeatedly within a short period of time; in particular avoid "playing" with the ON button. Risk of motor overheating.

Working on slopes:

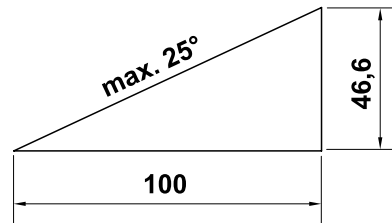
Always work across and back on slopes, never up and down.

If the user loses control when mowing up and down, there is a risk of being run over by the machine.

Be particularly careful when changing direction on a slope.

Always ensure good stability on slopes and avoid mowing on excessively steep slopes.

For safety reasons, the machine must not be used on slopes with an inclination of more than 25° (46.6%). **Risk of injury!** A slope inclination of 25° corresponds to a vertical height increase of 46.6 cm for a 100 cm horizontal distance.



Working:



Caution – risk of injury!

Never put hands or feet on or underneath rotating parts. Never touch the rotating blade.

Always keep away from the discharge opening. Always observe the safety distance provided by the handlebar.



Do not try to examine the blade while the machine is operating. Never open the discharge flap and/or remove the grass catcher box when the mowing blade is running. Rotating blades can cause injury.

Only operate the machine at walking speed – never run when working with the machine. Working quickly with the machine increases the risk of injury due to stumbling, slipping, etc.

Be particularly careful when turning the machine around or pulling it towards you.

Risk of stumbling!

Never lift or carry the machine with the motor running or the mains lead connected.

Objects hidden in the turf (lawn sprinkler systems, posts, water valves, foundations, electrical wires, etc.) must be avoided. Never run over any such foreign objects.

Use the machine with great care when working near slopes, terraces, ditches and embankments. In particular, ensure that you maintain sufficient distance to such danger areas.

If the cutting tool or the machine hits an obstacle or a foreign object, the motor must be switched off, the power cable disconnected and an inspection performed by a specialist.



Beware of the cutting tool running on for several seconds before coming to a standstill.

STOP Switch off the motor,

- if tilting of the machine is necessary when transporting over surfaces other than grass,
- when pushing the machine to and from mowing areas,
- before removing the grass catcher box,
- before adjusting the cutting height.



Switch off the motor, disconnect the mains plug from the socket and ensure that the cutting tool has come to a complete

standstill

- before remedying blockages, including those in the discharge chute;
- if the cutting tool has hit a foreign object. The cutting tool needs to be checked for possible damage. The machine must not be operated with a damaged or bent blade shaft or motor shaft. **Risk of injury through defective parts!**
- before you check, clean or carry out work on the machine (e.g. adjusting the cutting height, folding down/adjusting the handlebar);
- before leaving the machine unattended;
- before lifting or carrying the machine;
- before transporting the machine;
- after hitting a foreign object or if the machine vibrates excessively. In these cases check the machine, in particular the cutting unit (blade, blade shaft, blade fastening), for damage and carry out the necessary repairs before restarting and working with the machine.



Risk of injury!

Strong vibration is normally an indication of a fault. In particular, the machine must not be operated with a damaged or bent blade shaft or mowing blade. If you do not have the appropriate expertise, have the necessary repairs carried out by a specialist dealer (STIHL recommends STIHL specialist dealers).

Owing to the voltage fluctuations caused by this machine during the run-up period, other devices connected to the same circuit may be subject to interference in the case of unfavourable power supply conditions. In this case, appropriate steps should be taken (e.g. connection to a different circuit than the one used by the affected device, or operation of the machine using a circuit with a lower impedance).

4.7 Maintenance, cleaning, repairs and storage



Before performing any work on the machine, before adjusting or cleaning the machine, or before checking whether the electric cable is entwined or damaged, switch off the machine and disconnect the mains plug from the socket.

Allow the machine to fully cool down before storing it in enclosed places, performing maintenance on it or cleaning it.

Cleaning:

The complete machine must be cleaned thoroughly following use. (⇒ 11.2)

Remove accumulated clipping deposits using a stick. Clean the underside of the mower with water and a brush.

Never use high-pressure cleaners and do not clean the machine under running water (e.g. using a garden hose). Do not use aggressive cleaning agents. These can damage plastics and metals, impairing the safe operation of your STIHL machine.

In order to prevent fire hazards, keep the area around the air vents between the motor hood and housing free from e.g. grass, straw, moss, leaves or escaping grease.

Maintenance operations:

Only maintenance operations described in this instruction manual may be carried out. Have all other work performed by a specialist dealer.

If you do not have the necessary expertise or auxiliary equipment, please **always** contact a specialist dealer.

STIHL recommends that you have maintenance operations and repairs performed exclusively by a STIHL specialist dealer.

STIHL specialist dealers regularly attend training courses and are provided with technical information.

Only use tools, accessories or attachments approved for this machine by STIHL or technically identical parts. Otherwise, there may be a risk of accidents resulting in personal injury or damage to the machine. If you have any questions, please consult a specialist dealer.

The characteristics of original STIHL tools, accessories and spare parts are optimally adapted to the machine and the user's requirements. Genuine STIHL spare parts can be recognised by the STIHL spare parts number, by the STIHL lettering and, if present, by the STIHL spare parts symbol. On smaller parts, only the symbol may be present.

Always keep warning and information stickers clean and readable. Damaged or missing stickers must be replaced by new, original plates from your STIHL specialist dealer. If a component is replaced with a

new component, ensure that the new component is provided with the same stickers.

Only perform work on the cutting unit when wearing thick work gloves and exercising extreme care.

Ensure that all nuts, pins and screws (in particular the blade fastening screw) are securely tightened so that the machine is in a safe operating condition.

Check the complete machine and the grass catcher box for wear or damage on a regular basis, particularly before extended periods when the machine is not in use (e.g. over winter). For safety reasons, worn or damaged parts must be replaced immediately to ensure that the machine is always in a safe operating condition.

Components or guards that are removed for maintenance operations must be properly reinstalled immediately.

Regularly check that the mowing blade is securely fastened and is not damaged or worn.

4.8 Storage for prolonged periods without operation

Store the cooled machine in a dry and locked place.

Ensure that the machine is protected from unauthorised use (e.g. by children).

Thoroughly clean the machine before storage (e.g. winter break).

Store the machine in good operational condition.

4.9 Disposal

Ensure that old machines are properly disposed of. Render the machine unusable prior to disposal. In order to prevent accidents, ensure that you remove the power supply cable or the electric cable to the motor.

Risk of injury due to the cutting tool!

Always store an old machine in a safe place prior to scrapping. Ensure that the machine and the cutting tool are kept out of the reach of children.

5. Description of symbols



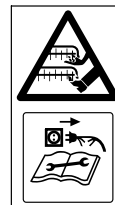
Attention!

Read the instruction manual and follow the safety instructions before initial use.



Risk of injury!

Keep other people out of the danger area.



Risk of injury!

Keep your hands and feet away from the blades. Beware of the sharp mowing blade. The mowing blade runs on for several seconds after switching off (motor/blade brake). Before performing any work on the cutting tool, before carrying out maintenance and cleaning work, before checking whether the electric cable is entwined or damaged, or before leaving the machine unattended, switch off the motor and disconnect the mains plug from the socket.



Danger of electric shock!

Keep the electric cable away from the cutting tool.



Do not work in the rain or in a wet environment.



Switch the motor on.

6. Preparing the machine operation

6.1 Assembling lawn mower



Risk of injury

Observe the safety instructions in the section "For your safety". (⇒ 4.)

- Carry out assembly work on level, flat and solid ground. Check scope of delivery before assembly.



- Assemble the grass catcher box and install the lower handlebars (D) – observe the specified tightening torque.



- Position the upper handlebar onto the lower handlebars at the required height and hold. (⇒ 7.3)

- Install the upper handlebar and insert the power cable into the cable guide (J) as shown and fasten to the handlebar using the cable clips (K).



- Attach the grass catcher box. (⇒ 7.1)

7. Controls

7.1 Grass catcher box



Attaching:

- Open the discharge flap (1) and hold it open.
- Attach the grass catcher box (2) to the mountings (3) on the rear of machine by means of the locating lugs.
- Close the discharge flap (1).

Detaching:

- Open the discharge flap (1) and hold it open.
- Lift the grass catcher box (2) and remove it rearwards.
- Close the discharge flap (1).

7.2 Level indicator



The flow of air generated by the blade raises level indicator (1). The flow of air stops when the grass catcher box is full. If the flow of air is too low, level indicator (1) returns to its resting state. This is a prompt to empty the grass catcher box.

The functionality of the level indicator is restricted if the flow of air is impaired. External influences such as wet, dense or high grass, low cutting levels, contamination or the like can impair the flow of air and the functionality of the level indicator.

A Grass catcher box is being filled

B Grass catcher box is filled

- Empty the filled grass catcher box (⇒ 10.5).

7.3 Handlebar



Danger of pinching!

The upper handlebar can fold down when the rotary handles are released. For this reason, always hold the upper handlebar (2) with one hand at its highest point when you loosen the rotary handles.

1 Folding down the upper handlebar:

Transport position – for space-saving transport and storage:

- Unscrew rotary handles (1) until they can be moved freely and fold down upper handlebar (2) forwards. Make sure that the electric cable is not damaged.

Working position – for pushing the machine:

- Fold up upper handlebar (2) rearwards and hold with one hand.
- Tighten rotary handles (1).

2 Height adjustment:

The upper handlebar can be installed at 2 heights:

- Remove rotary handles (1) and remove screws (3).
- Adjust upper handlebar (2) to the desired height:
Bore **A** – high position
Bore **B** – low position
- Insert screws (3) through bores in lower and upper handlebars, tighten rotary handles (1).

7.4 Central cutting height adjustment



Five different cutting heights can be set.

Level 1:
lowest cutting height (25 mm)

Level 5:
highest cutting height (65 mm)

Setting cutting height:

- Press detent lever (1) outwards and hold.
- Set the required cutting height by moving the machine upwards and downwards.
- Release detent lever (1) and allow it to engage.

8. Notes on working with the machine

8.1 General points



Risk of injury!

Untangle any knots in the cable immediately.

Guide the electric cable behind you when mowing. Electric cables can be inadvertently cut when mowing and present a tripping hazard. They therefore involve a high accident risk. For this reason, mow so that the electric cable is always visible in the area of grass that has already been cut.

To ensure a perfect, thick lawn, mow regularly and keep the grass short.

Do not cut the lawn too short in hot, dry conditions as it will dry out or burn in the sun and become unsightly.

The cutting pattern will be better with a sharp blade than with a blunt one; the blade should therefore be sharpened regularly (STIHL specialist dealer).

8.2 Correct motor load

Do not switch on the lawn mower in tall grass or at the lowest cutting height.

The lawn mower load must never cause the motor speed to drop significantly.

If the speed drops, select a higher cutting height setting and/or reduce the rate of feed.

8.3 If the mowing blade blocks

Switch off the motor immediately and disconnect the mains plug. Then eliminate the cause of the fault.

8.4 Thermal motor overload protection

If an overload of the motor occurs during operation, the built-in thermal overload protection device automatically switches off the motor.

Causes for an overload:

- mowing excessively high grass or cutting height adjusted too low,
- excessive rate of feed,
- inadequate cleaning of the cooling air guide (inlet slots),
- mowing blade is blunt or worn,
- unsuitable or excessively long electric cable – voltage loss (⇒ 10.1).

Recommencing operation

Resume normal operation of the machine following a cooling period of up to 20 min (depending on the ambient temperature) (⇒ 10.).

8.5 Working area for operator

- For safety reasons, the operator must stay within the working area behind the handlebar when the motor is running. Always observe the safety distance provided by the handlebar.
- The lawn mower must only be operated by one person. Other persons must keep out of the danger area. (⇒ 4.)



9. Safety devices

The machine is equipped with several safety devices for safe operation and for the prevention of improper use.



Risk of injury!

If a safety device is found to be defective, the machine must not be operated. Consult a specialist dealer; STIHL recommends STIHL specialist dealers.

9.1 Safety devices

The lawn mower is equipped with safety devices, which prevent inadvertent contact with the mowing blade and with ejected clippings.

These include the housing, discharge flap, grass catcher box and correctly installed handlebar.


9.2 Two-hand operation

The motor can only be switched on by pressing and holding the ON button with the right hand and then pulling the motorstop lever to the handlebar with the left hand.

9.3 Motor run-down brake


When the motorstop lever is released, the mowing blade comes to a complete standstill in less than three seconds.

An integrated motor run-down brake shortens the run-down time until the blade stops.

 When the motor is switched on, the blade rotates and a wind noise is audible. The run-on time corresponds to the duration of the wind noise after switching off the motor. This can be measured using a stopwatch.

10. Operating the machine

10.1 Electrical connection

 **Danger of electric shock!** Observe the safety instructions in the section "For your safety" (⇒ 4.2).

If using a cable drum, the connection cord must be unwound completely, otherwise electrical resistance may cause loss of power and overheating.

Only electric cables which are no lighter than rubber sheathed cables **H07 RN-F DIN/VDE 0282** may be used as electric cables.

Minimum cross-section:
up to 25 m length: 3 x 1.5 mm²
up to 50 m length: 3 x 2.5 mm²

The connectors of the electric cable must be made of rubber or have a rubber cover and conform to the standard **DIN/VDE 0620**.


The mains voltage and mains frequency must correspond to the information on the rating plate and the information contained in the section "Technical specifications" (⇒ 17.).

The power cable must be adequately protected by fuse (⇒ 17.).

This machine is intended for operation with a power supply having a system impedance of Z_{\max} at the transfer point (house connection) of maximum **0.49 Ohm** (at 50 Hz).

The user must ensure that the machine is only operated with a power supply which meets this requirement. If necessary, this information can be obtained from the local electric power company.


10.2 Strain relief

 During working, the strain relief prevents any unintentional disconnection of the electric cable and any resulting damage to the mains connection on the machine.

For this reason, the electric cable must be fed through the strain relief.

- Form a loop in the power cable (1) and guide it through the opening (2).
- Then push the loop over the hook (3) and pull it tight.

10.3 Switching on the lawn mower


 Do not start the motor in high grass or when the mower is set to the lowest cutting height, as this makes switching on difficult.

- Press and hold down the ON button (1). Pull motorstop lever (2) to handlebar and hold.
- The ON button (1) can be released once motorstop lever (2) is pressed.

10.4 Switching off lawn mower

- Release motorstop lever (1). Motor and mowing blade come to a stop after a short run-down time.


10.5 Emptying the grass catcher box

 **Risk of injury!** The motor must be stopped for safety reasons before removing the grass catcher box.

- Detach the grass catcher box. (⇒ 7.1)
- Open the grass catcher box at the tab (1). Fold up the upper part of the grass catcher box (2) and hold. Fold the grass catcher box rearwards and empty the clippings.
- Close the grass catcher box.
- Attach the grass catcher box. (⇒ 7.1)

11. Maintenance

11.1 General

 **Risk of injury!** Observe the safety instructions in the section "For your safety" (⇒ 4.).

Annual service by the specialist dealer:

The lawn mower should be inspected once annually by a specialist dealer. STIHL recommends STIHL specialist dealers.

11.2 Cleaning the machine



Maintenance interval:
After each use

- Place the machine on horizontal and level ground.
- Detach the grass catcher box. (⇒ 7.1)
- To clean the underside of the machine, tilt the lawn mower (1) onto its side.
- Only clean the machine using water, with a brush or with a cloth. Remove accumulated clipping deposits using a stick. If necessary, use a special cleaner (e.g. STIHL special cleaner).
- Never spray water or high pressure cleaners onto switches, motor components, seals or bearing points.

11.3 Electric motor and wheels

The electric motor is maintenance-free.

The wheel bearings are maintenance-free.

11.4 Upper handlebar

Maintenance interval:
Before each use

Check the upper handlebar for damage – it is coated with an insulating layer. Should this layer become damaged, do not operate the lawn mower and replace the upper handlebar.

11.5 Mowing blade maintenance



Maintenance interval:
Before each use



Risk of injury!

Check the blade for damage before each use. The blade must be replaced if notches or cracks are detected or if the wear limits are reached or exceeded.

- Tilt the lawn mower onto its side. (⇒ 11.2)
- Clean mowing blade (1) and check it for damage (notches or cracks) and wear; replace if necessary.
- Check the **blade thickness** **A** at several points using a slide calliper. In particular, measure in the area of the blade wings.
A > 1,6 mm
- Place a ruler (2) against the front blade edge and measure permissible **grinding** **B**.
B < 5 mm

11.6 Removing and installing the mowing blade



Risk of injury!

Always wear suitable gloves when working on the mowing blade.

- Tilt the lawn mower onto its side to work on the mowing blade. (⇒ 11.2)

1 Removing:

- Hold mowing blade (1) with one hand.
- Unscrew blade fastening screw (2) and remove together with coupler (3) and mowing blade (1).

2 Installing:



Risk of injury!

Before installing, check the condition of the mowing blade (damage, wear) and replace if necessary. (⇒ 11.5)

The mowing blade must only be installed as illustrated with the curved wings pointing upwards (towards the machine). Observe the specified torque when tightening the blade fastening screw, as the secure attachment of the cutting tool depends upon it. Additionally secure the blade fastening screw with **Loctite 243**.

Replace the blade fastening screw and coupler each time the blade is replaced.

- Clean the blade contact surface, coupler and blade bushing.
- Install mowing blade (1) on the blade bushing with the curved wings pointing upwards. Position guide pins (4) of the blade bushing in the recesses in the mowing blade.
- Hold mowing blade (1) with one hand and fit coupler (3).
- Screw in blade fastening screw (2) and tighten.
Tightening torque for blade fastening screw:
15 - 20 Nm

11.7 Sharpening the mowing blade

STIHL recommends having the mowing blade sharpened by a technician. Operation of the machine is impaired in the

case of an incorrectly sharpened blade (incorrect sharpening angle, imbalance etc.).

Sharpening instructions:

- Remove the mowing blade. (⇒ 11.6)
- Cool the mowing blade when sharpening, e.g. with water. The blade must not be allowed to display blue colouring, as this would reduce its cutting quality.
- Sharpen the blade evenly to prevent vibrations due to imbalance.
- Observe sharpening angle of 30°.
- After sharpening, remove any sharpening burr at the cutting edge using fine sandpaper if necessary.

11.8 Storage (winter break)

Store the machine in a dry and locked place that is generally free of dust. Make sure that it is kept out of the reach of children.

Only store the lawn mower in good operating condition, fold down the handlebar if necessary.

Keep all nuts, pins and bolts tightly fastened, replace danger signs and warnings on the machine that have become illegible, check the entire machine for wear and damage. Replace all worn or damaged parts.

Any machine faults must be completely remedied prior to storage.

Note the following points when storing the lawn mower for long periods (winter break):

- Clean all external parts of the machine with care.

- Thoroughly lubricate/grease all moving parts.

12. Transport

12.1 Transport



Risk of injury!

Observe the section "For your safety" before transporting. (⇒ 4.) When transporting, always wear suitable safety clothing (safety shoes, thick gloves). Always disconnect the power cable before lifting or transporting.

Carrying the machine:

- Carry the lawn mower with one hand at the transport handle (1) and the other hand at the housing (2). Always ensure sufficient distance between the mowing blade and your body, particularly your feet and legs.

or

- Carry the lawn mower with one hand at the transport handle (1).

Securing the machine (lashing):

- Secure the lawn mower and grass catcher box on the load floor using suitable fastening materials.
- Fasten ropes or straps at the transport handle (1) and at the lower handlebars (3).

13. Minimising wear and preventing damage

Important information on maintenance and care of the product group

Lawn mower, manually operated and mains-powered (STIHL RME)

STIHL assumes no liability for material or personal damage caused by the non-observance of information contained in the operating instructions, in particular with regard to safety, operation and maintenance, or which arise through the use of unauthorised attachment or spare parts.

Please always observe the following important information for the prevention of damage or excessive wear to your STIHL machine:

1. Wearing parts

Some parts of the STIHL machine are subject to normal wear even when used properly and must be replaced in due time depending on type and duration of use.

These include:

- blades

2. Compliance with the information in this instruction manual

The STIHL machine must be used, maintained and stored with the care described in this instruction manual. Any damage caused by non-compliance with the safety, operating and maintenance instructions is the sole responsibility of the user.

This applies in particular to:

- inadequately dimensioned power cables (cross section),

- Incorrect electrical connection (voltage),
- Product modifications not approved by STIHL.
- The use of tools or accessories which are not approved or suitable for the machine, or are of inferior quality.
- Improper use of the product.
- Use of the product for sporting or competitive events.
- Resultant damage due to continued use of the product with defective components.

3. Maintenance operations

All operations listed in the section "Maintenance" must be performed regularly.

If these maintenance operations cannot be carried out by the user, a specialist dealer must be commissioned to perform them.

STIHL recommends that you have maintenance operations and repairs performed exclusively by a STIHL specialist dealer.

STIHL specialist dealers regularly attend training courses and are provided with technical information.

If these operations are neglected, faults may arise which are the responsibility of the user.

These include:

- damage to the motor as a result of inadequate cleaning of the cooling air guide (inlet slots),
- corrosion and other resultant damage caused by incorrect storage,
- damage to the machine through the use of inferior-quality spare parts,

- damage due to untimely or inadequate maintenance or damage due to maintenance or repair work not performed in the workshops of specialist dealers.

14. Environmental protection



Lawn clippings should be composted and not disposed of in household waste.

The machine, its packaging and accessories are all produced from recyclable materials and must be disposed of accordingly.

By disposing of materials separately, and in an environmentally friendly manner, valuable resources can be re-used. For this reason, the machine should be disposed of for recycling at the end of its useful life. Pay particular attention to the information in the "Disposal" section during disposal (⇒ 4.9).

Consult your recycling centre or your specialist dealer for information on the proper disposal of waste products.

15. Standard spare parts

Mowing blade:
6311 702 0100

Blade fastening screw:
9018 321 1800

Coupler:
6311 702 0600



The blade fastening screw and coupler must be renewed when the blade is replaced. Spare parts are available from a STIHL specialist dealer.

16. Declaration of conformity

16.1 EU declaration of conformity – STIHL RME 235.0 lawn mower

STIHL Tirol GmbH
Hans Peter Stihl-Strasse 5
6336 Langkampfen
Austria

declares under our sole responsibility that

- design: electric lawn mower
- manufacturer's brand: STIHL
- type: RME 235.0
- cutting width: 33 cm
- serial number: 6311

complies with the relevant provisions of Directives 2006/42/EC, 2000/14/EC, 2014/30/EU and 2011/65/EU and has been developed and manufactured in accordance with the versions of the following standards valid on the date of manufacture: EN 60335-1, EN 60335-2-77, EN 55014-1, EN 55014-2, EN 61000-3-2 and EN 61000-3-3.

Notified body involved:
TÜV Rheinland LGA Products GmbH
Tillystrasse 2
90431 Nuremberg, Germany

The measured and guaranteed sound power levels were determined in accordance with Directive 2000/14/EC, Appendix VIII.

- Measured sound power level:
92,1 dB(A)
- Guaranteed sound power level:
93 dB(A)

The technical documents are stored at STIHL Tirol GmbH.

The year of manufacture and machine number are indicated on the lawn mower.

Langkampfen, 29.04.2021

STIHL Tirol GmbH

p.p.



Matthias Fleischer, Head of Research and Development Division

p.p.



Sven Zimmermann, Head of Quality Division

17. Technical specifications

Type	RME 235.0
Serial number	6311
Motor, design	Electric motor

Type	RME 235.0
Motor type	Universal AC motor
Voltage	230 V~
Power input	1200 W
Frequency	50 Hz
Fuse	5 A
Protection class	II
Type of protection	IPX 4
Cutting utilities	Cutter bar
Cutting width	33 cm
Speed of cutting utilities	3200 rpm
In accordance with 2000/14/EC / S.I. 2001/1701:	
Guaranteed sound power level L_{WA}	93 dB(A)
Uncertainty K_{WA}	0,8 dB(A)
Measurement in accordance with EN 60335-2-77:	
Sound pressure level at workplace L_{pA}	80 dB(A)
Uncertainty K_{pA}	2 dB(A)
Cutter bar drive	Permanent
Blade fastening screw tightening torque	15 - 20 Nm
Wheel diameter (front)	140 mm
Wheel diameter (rear)	170 mm
Grass catcher box capacity	30 l
Cutting height	25 - 65 mm
Specified vibration characteristic in accordance with EN 12096:	
Measured value a_{hw}	1,40 m/sec ²
Uncertainty K_{hw}	0,70 m/sec ²

Type	RME 235.0
Measurement in accordance with EN 20643, EN 60335-2-77:	
Length	127 cm
Width	37 cm
Height	108 cm
Weight	13 kg
	14 kg (GB)

17.1 REACH

REACH is an EC Directive for the registration, evaluation, authorisation and restriction of chemicals.

Information on compliance with the REACH Directive (EC) No. 1907/2006 is available from www.stihl.com/reach.

18. Troubleshooting

- ✳ If necessary, contact a specialist dealer; STIHL recommends STIHL specialist dealers.

Fault:

Motor does not start

Possible cause:

- No mains voltage
- Connection cable, plug, plug connector or switch defective
- Start button not pressed
- Motor is overloaded because the grass is too tall or too wet
- Motor overload protection activated
- Mower housing is blocked
- Fuse in plug faulty (GB version)

Remedy:

- Check fuse (⇒ 10.1)

- Check cable/plug/switch and replace if necessary (⇒ 10.1)
- Press start button (⇒ 10.3)
- Do not switch on motor in high grass, adapt cutting height (⇒ 7.4)
- Allow machine to cool down (⇒ 8.4)
- Clean mower housing (⇒ 11.2)
- Replace fuse in plug (✖)

Fault:

Frequently tripped mains fuse

Possible cause:

- Unsuitable electric cable
- Power overload
- Machine is overloaded due to mowing grass which is too long or too wet

Remedy:

- Use suitable electric cable (⇒ 10.1)
- Connect machine to another circuit
- Adapt cutting height and mowing speed to mowing conditions (⇒ 7.4)

Fault:

Excessive vibration during operation

Possible cause:

- Blade fastening screw is loose
- Blade is not balanced

Remedy:

- Tighten blade fastening screw (⇒ 11.6)
- Re-sharpen (balance) or replace blade (⇒ 11.7)

Fault:

Poor cut, lawn turning yellow

Possible cause:

- Mowing blade is blunt or worn,

- Rate of feed is too high in relation to the cutting height

Remedy:

- Re-sharpen or replace mowing blade (⇒ 11.7)
- Reduce rate of feed and/or select correct cutting height (⇒ 7.4)

Fault:

Problems switching machine on or deteriorating motor power.

Possible cause:

- Mowing grass which is too long or too wet
- Mower housing is blocked

Remedy:

- Adapt cutting height and mowing speed to mowing conditions (⇒ 7.4)
- Clean mower housing (disconnect mains plug before cleaning) (⇒ 11.2)

Fault:

Discharge chute blocked

Possible cause:

- Mowing blade is worn
- Mowing grass which is too long or too wet

Remedy:

- Replace mowing blade (⇒ 11.7)
- Adapt cutting height and mowing speed to mowing conditions (⇒ 7.4)

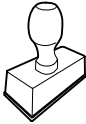
19. Service schedule

19.1 Handover confirmation

Model: _____

Serial number:

Date:





Next service
Date:

19.2 Service confirmation



Please hand this instruction manual to your STIHL specialist dealer in the case of maintenance operations. He will confirm the service operations performed in the pre-printed boxes.

 Service performed on


 Next service date

Distiguado cliente:

Nos alegramos de que se haya decidido por STIHL. Desarrollamos y confeccionamos nuestros productos en primera calidad y con arreglo a las necesidades de nuestros clientes. De esta manera conseguimos elaborar productos altamente fiables incluso en condiciones de esfuerzo extremas.

STIHL también presta un Servicio Postventa de primera calidad. Nuestros comercios especializados garantizan un asesoramiento e instrucciones competentes, así como un amplio asesoramiento técnico.

Le agradecemos su confianza y le deseamos que disfrute de su producto STIHL.



Dr. Nikolas Stihl

IMPORTANTE: LEER ANTES DE USAR Y GUARDAR.

1. Índice

Acerca de este manual de instrucciones	24
Información general	24
Instrucciones para leer el manual	24
Variantes de país	24
Descripción del equipo	25
Para su seguridad	25
Información general	25
Advertencia de peligros causados por la corriente eléctrica	26
Ropa y equipamiento de trabajo	27
Transporte del equipo	27
Antes del trabajo	27
Durante el trabajo	28
Mantenimiento, limpieza, reparación y almacenamiento	29
Almacenamiento durante largos periodos de inactividad	30
Eliminación	30
Descripción de los símbolos	31
Preparar el equipo para el servicio	31
Ensamblar el cortacésped	31
Elementos de mando	31
Recogedor de hierba	31
Indicador de nivel de llenado	31
Manillar	32
Ajuste central de la altura de corte	32
Indicaciones para el trabajo	32
Información general	32
Carga correcta del motor eléctrico	32
Cuando se bloquea la cuchilla	33
Protección contra sobrecarga térmica del motor eléctrico	33
Zona de trabajo del usuario	33
Dispositivos de seguridad	33
Dispositivos de protección	33
Manejo con las dos manos	33
Freno contra la marcha por inercia del motor eléctrico	33
Poner el equipo en servicio	34
Conexión eléctrica del equipo	34
Dispositivo antitirones del cable	34
Conectar el cortacésped	34
Desconectar el cortacésped	34
Vaciar el recogedor de hierba	34
Mantenimiento	34
Información general	34
Limpiar el equipo	35
Motor eléctrico y ruedas	35
Parte superior del manillar	35
Mantenimiento de la cuchilla	35
Desmontar y montar la cuchilla	35
Afilar la cuchilla	36
Conservación (parada invernal)	36
Transporte	36
Transporte	36
Reducir el desgaste y prevenir daños	36
Protección del medio ambiente	37
Piezas de recambio habituales	37
Declaración de conformidad	38
Declaración de conformidad de la UE para cortacésped STIHL RME 235.0	38
Datos técnicos	38
REACH	39
Localización de anomalías	39
Plan de mantenimiento	40
Confirmación de entrega	40
Confirmación de servicio técnico	40

2. Acerca de este manual de instrucciones

2.1 Información general

Este manual de instrucciones es un **Manual original** del fabricante, en conformidad con la directiva 2006/42/EC.

STIHL desarrolla continuamente su gama de productos, por lo que nos reservamos el derecho de modificar los componentes suministrados en cuanto a forma, técnica y equipamiento.

Por consiguiente, las indicaciones e ilustraciones contenidas en este manual no constituyen compromiso contractual alguno.

Es posible que en este manual de instrucciones se describan modelos que no están disponibles en todos los países.

Este manual de instrucciones está protegido por derechos de autor. Quedan reservados todos los derechos, sobre todo el derecho a la reproducción, traducción y a la elaboración con sistemas electrónicos.

2.2 Instrucciones para leer el manual

Las imágenes y los textos describen determinados pasos para el manejo del equipo.

Todos los símbolos que se encuentran en el equipo se explican en este manual de instrucciones.

Perspectiva:

Perspectiva "izquierda" y "derecha" del manual durante la utilización: con el usuario situado detrás del equipo y mirando en la dirección de desplazamiento hacia delante.

Referencias a capítulos:

Se hace referencia a los capítulos y subcapítulos correspondientes que contienen más información con una flecha. El siguiente ejemplo muestra una referencia a un capítulo: (⇒ 3.)

Identificación de párrafos de texto:

Las instrucciones descritas pueden identificarse como en los siguientes ejemplos.

Pasos de manejo del equipo que requieren la intervención del usuario:

- Afloje el tornillo (1) con un destornillador, accione la palanca (2) ...

Enumeraciones generales:

- Utilización del producto en eventos deportivos o en campeonatos

Texto con significado adicional:

Los fragmentos de texto con un significado adicional tienen asignados uno de los símbolos descritos a continuación para destacarlos en el manual de instrucciones.



¡Peligro!

Riesgo de accidente y de sufrir lesiones personales graves. Es necesario evitar hacer algo o atenerse a un comportamiento determinado.



¡Advertencia!

Peligro de lesiones personales. Es necesario atenerse a un comportamiento determinado para evitar sufrir lesiones personales.



¡Atención!

Es posible evitar daños materiales o lesiones leves comportándose de una manera determinada.



Nota

Información relativa al uso óptimo del equipo evitando posibles manejos erróneos.

Texto con relación a las ilustraciones:

Al inicio del manual de instrucciones se encuentran las ilustraciones explicativas del uso del equipo.

El símbolo de la cámara sirve para vincular las ilustraciones de las diferentes páginas con el texto correspondiente del manual.



2.3 Variantes de país

STIHL suministra equipos con distintas clavijas e interruptores, dependiendo del mercado de cada país.

Las ilustraciones muestran equipos con euroconectores; la conexión a la red de los equipos con otros modelos de conector se realiza análogamente.

3. Descripción del equipo



- 1 Parte superior del manillar
- 2 Palanca de parada del motor
- 3 Empuñadura giratoria
- 4 Deflector
- 5 Asa de transporte
- 6 Capó del motor
- 7 Rueda delantera
- 8 Carcasa
- 9 Rueda trasera
- 10 Parte inferior del manillar
- 11 Clip de cable
- 12 Recogedor de hierba
- 13 Guía de cables
- 14 Indicador de nivel de llenado
- 15 Botón de arranque
- 16 Conexión a la red
- 17 Dispositivo antitirones del cable
- 18 Palanca del ajuste de altura

4. Para su seguridad

4.1 Información general



Al trabajar con el equipo, el cumplimiento de estas prescripciones preventivas de accidentes es imprescindible.



Antes de la primera puesta en servicio hay que leer atentamente el manual de

instrucciones completo. Conservar cuidadosamente el manual de instrucciones para su uso posterior.

Estas medidas de precaución son una garantía para su seguridad. No obstante, esta enumeración no es concluyente. Utilice el equipo siempre con sentido común y de forma responsable y tenga en cuenta que el usuario es el responsable en caso de accidentes que afecten a terceras personas o a sus propiedades.

Familiarícese con los elementos de mando y con el uso apropiado del equipo.

El equipo solo debe ser utilizado por personas que hayan leído el manual de instrucciones y estén familiarizadas con la manipulación del equipo. Antes de la primera puesta en servicio, el usuario debe preocuparse de recibir indicaciones técnicas y prácticas por personas especializadas. El vendedor u otro experto debe aclarar al usuario cómo debe utilizarse el equipo.

En esta instrucción, se debería poner en conocimiento del usuario que para trabajar con el equipo son necesarias atención y una concentración máxima.

Aun cuando utilice este equipo conforme a las normas, siempre persisten algunos riesgos.



¡Peligro de muerte por asfixia!

Peligro de asfixia para los niños al jugar con el material de embalaje. Mantener el material de embalaje fuera del alcance de los niños.

El equipo y todos sus componentes sólo pueden entregarse o prestarse a personas que estén familiarizadas con este modelo y su manejo. El manual de instrucciones es parte del equipo y debe entregarse siempre junto con el equipo.

Sólo utilice el equipo descansado y en perfecto estado físico y psíquico. Si padece algún trastorno de salud, debería consultar con su médico para ver si puede trabajar con el equipo. No se deberá trabajar con el equipo después de tomar alcohol, drogas o medicamentos que afecten a la capacidad de reacción.

Hay que cerciorarse de que el usuario esté capacitado en sentido corporal, sensorial y mental para manejar el equipo y trabajar con él. Si el usuario está capacitado para ello solo de forma limitada, podrá trabajar únicamente bajo supervisión o tras haber sido instruido por una persona responsable.

Hay que cerciorarse de que el usuario sea mayor de edad o esté recibiendo una formación profesional bajo supervisión, conforme a las disposiciones nacionales.

El equipo está concebido para un uso privado.

Atención: ¡peligro de accidente!

El equipo está concebido únicamente para cortar césped. Cualquier otro uso no está autorizado y podría ser peligroso o causar daños al equipo.

Para evitar que el usuario ponga en peligro su integridad física, el equipo no puede ser usado para los siguientes trabajos (esta relación es orientativa):

- para recortar matorrales, setos y arbustos,
- para cortar plantas trepadoras,
- para el cuidado del césped en terrazas y balcones,
- para triturar y desmenuzar restos de poda de árboles y setos,
- para limpiar caminos (aspiración, soplado),

- para nivelar elevaciones del terreno, como por ejemplo, toperas,
- para transportar material cortado, excepto en el recogedor de hierba previsto para ello.

Por motivos de seguridad se prohíbe toda modificación en el equipo (excepto el montaje correcto de accesorios autorizados por STIHL), lo cual conduciría a la pérdida de los derechos de garantía. Su distribuidor especializado STIHL le ofrecerá más información sobre accesorios autorizados.

De manera particular, está prohibido realizar cualquier tipo de modificación en el equipo con el fin de aumentar la potencia o el régimen del motor eléctrico o de combustión.

No está permitido transportar objetos, animales o personas, especialmente niños, con el equipo.

Debe tenerse un especial cuidado al utilizar el equipo en zonas públicas, parques, instalaciones deportivas, vías públicas y en explotaciones agrícolas y forestales.



¡Atención! ¡Peligro para la salud por vibraciones! Una carga excesiva por vibraciones puede provocar daños en el

sistema nervioso o circulatorio, especialmente en personas con problemas circulatorios. Consulte a un médico si aparecieran síntomas que pudieran deberse a cargas por vibraciones.

Esos síntomas, que se producen principalmente en dedos, manos o muñecas, son por ejemplo (relación orientativa):

- insensibilidad,

- dolores,
- debilidad muscular,
- decoloraciones de la piel,
- hormigueo desagradable.

Durante el funcionamiento, sujetar el manillar con firmeza, pero sin tensión, con ambas manos por los lugares previstos.

Programar el tiempo de trabajo de modo que se eviten cargas elevadas en un periodo de tiempo grande.

4.2 Advertencia de peligros causados por la corriente eléctrica



¡Atención! Peligro de electrocución!

Para la seguridad eléctrica son especialmente importantes el cable de conexión a red, la clavija de red, el interruptor de conexión / desconexión y el cable de conexión. Para evitar el riesgo de una descarga eléctrica no deben emplearse cables, conectores ni enchufes dañados, ni cables de conexión que no cumplan los requisitos de las especificaciones.

El cable de conexión debe comprobarse periódicamente para detectar cualquier tipo de deterioro o fragilidad.

El equipo solo debe ponerse en servicio con el cable de alimentación desenrollado.

Si se utiliza un tambor de cable, este deberá desenrollarse siempre por completo antes de usarlo.



Nunca debe utilizarse un cable alargador dañado. Sustituir los cables defectuosos por cables nuevos y no reparar los cables alargadores.

El equipo no debe utilizarse cuando algún cable esté dañado o desgastado. De forma especial debe comprobarse la existencia de daños en el cable de conexión a la red y su envejecimiento.

Los trabajos de mantenimiento y reparación en cables de red sólo deben ser realizados por técnicos especialmente instruidos.

¡Peligro de descarga eléctrica!

No conecte un cable dañado a la red eléctrica y toque únicamente un cable en mal estado cuando éste esté desconectado de la red.

¡Peligro de descarga eléctrica!

No utilizar cables, enchufes hembra ni clavijas que presenten daños, ni tampoco cables de conexión que no cumplan las normas.

La unidad de corte (cuchillas) sólo se debe tocar cuando el equipo esté desconectado de la red.

Asegúrese siempre de que las líneas eléctricas estén protegidas suficientemente.



Aunque el motor eléctrico está protegido contra salpicaduras de agua, no se debe trabajar con la máquina cuando llueve o en zonas mojadas.

Utilice exclusivamente cables alargadores con aislamiento contra la humedad para uso en exteriores que sean adecuados para ser usados con el equipo (⇒ 10.1).

Al cortar el césped hay que mantener el cable alejado de la cuchilla.

Desconecte el cable de conexión tirando de las clavijas, no de los cables.

Si se conecta el equipo a un generador eléctrico debe tenerse en cuenta que las fluctuaciones de corriente pueden dañarlo.

Conecte el equipo sólo a una alimentación de corriente protegida mediante un diferencial de seguridad con una corriente disparadora de 30 mA como máximo. Para más información, consulte a un electricista.

Por razones de seguridad, el cable eléctrico siempre debe estar correctamente montado en el manillar.

4.3 Ropa y equipamiento de trabajo



Durante el trabajo debe llevarse siempre un calzado resistente con suela antideslizante. Nunca trabaje descalzo o, por ejemplo, con sandalias.



En los trabajos de mantenimiento y limpieza y en el transporte del equipo deben llevarse siempre guantes y debe recogerse y protegerse el pelo largo (pañuelo, gorro, etc.).



Para afilar la cuchilla deben llevarse puestas gafas de protección adecuadas.

El aparato sólo puede ponerse en funcionamiento con pantalones largos y ropa ceñida.

Nunca lleve puesta ropa holgada que pudiera quedar enganchada en los componentes móviles (palancas de mando); tampoco lleve joyas o bisutería, corbatas o bufandas.

4.4 Transporte del equipo

Trabaje sólo con guantes para evitar sufrir lesiones al tocar componentes del equipo calientes o con cantos afilados.

Antes del transporte, apague el equipo, desenchufe el cable y espere a que la cuchilla se detenga por completo.

Transportar el equipo siempre con el motor eléctrico frío.

Tener en cuenta el peso del equipo y utilizar medios auxiliares de carga adecuados en caso necesario (rampas, mecanismos de elevación).

El equipo y las piezas del equipo que se transporten (por ejemplo, el recogedor de hierba) deben sujetarse a la superficie de transporte con medios de fijación de dimensiones suficientes (correas, cables, etc.).

Al elevar y transportar el equipo hay que evitar el contacto con la cuchilla.

Deben tenerse en cuenta las indicaciones del capítulo "Transporte". Allí se describe cómo hay que levantar y amarrar el equipo. (⇒ 12.1)

Para el transporte del equipo observe las normativas legales regionales, en especial las que atañen al aseguramiento de la carga y al transporte de objetos en superficies de carga.

4.5 Antes del trabajo

Debe garantizarse que sólo trabajen con el equipo personas que conocen el manual de instrucciones.

Respete las normas locales para los horarios de trabajo de equipos de jardinería con motor de combustión o motor eléctrico.

Compruebe siempre la totalidad del terreno en el que vaya a utilizar la máquina, retirando todas las piedras, palos, alambres, huesos y otros objetos extraños que pudieran ser proyectados hacia arriba por el equipo. Los obstáculos (por ejemplo tocones, raíces) pueden ser difíciles de detectar con hierba alta.

Por tanto, antes del trabajo con el equipo marque todos los objetos extraños (obstáculos) ocultos en el césped que no pueden quitarse.

Antes de utilizar el equipo deben sustituirse las piezas defectuosas, desgastadas y dañadas. Las indicaciones de peligro y advertencia del equipo ilegibles o dañadas deben ser sustituidas. Su distribuidor especializado STIHL tiene a su disposición adhesivos de repuesto y todas las demás piezas de recambio.

El equipo debe utilizarse solo en un estado de servicio seguro. Antes de cada puesta en servicio debe controlarse lo siguiente:

- Si el equipo está montado debidamente.
- Si la herramienta de corte y toda la unidad de corte (cuchilla, elementos de fijación, carcasa del equipo de corte) se encuentran en perfecto estado. De manera particular, hay que prestar atención a la correcta fijación, a los daños (mellas o fisuras) y al desgaste.
- Si los dispositivos de seguridad (por ejemplo, el deflector, la carcasa, el manillar, la palanca de parada del motor) se encuentran en perfecto estado y funcionan debidamente.

- Si el recogedor de hierba no presenta daños y está montado por completo. No se debe utilizar un recogedor dañado.
- Si funciona el freno contra la marcha por inercia del motor eléctrico.

En caso necesario, realice todos los trabajos pertinentes o acuda a un establecimiento especializado. STIHL recomienda los distribuidores especializados STIHL.

Observar las indicaciones del capítulo "Peligros asociados a la electricidad" (⇒ 4.2).

No arrancar nunca el motor eléctrico sin una cuchilla montada conforme a las instrucciones. ¡Peligro de sobrecalentamiento del motor eléctrico!

4.6 Durante el trabajo



No trabajar nunca cuando haya animales o personas (especialmente niños) en la zona de peligro.

Los dispositivos de seguridad y de mando instalados en el equipo por el fabricante no deben retirarse ni anularse. En particular, no debe fijarse nunca la palanca de parada del motor al manillar (por ejemplo, atándola).

El manillar debe estar siempre debidamente montado y no ha de modificarse. El equipo nunca debe ponerse en marcha con el manillar pegado.

Nunca hay que fijar objetos al manillar (por ejemplo, ropa de trabajo). No deben enrollarse cables de extensión alrededor del manillar.

Trabaje sólo con luz diurna o buena luz artificial.

No trabajar si la temperatura ambiente es inferior a +5°C.

No trabaje con el equipo en caso de lluvia, tormenta y sobre todo cuando haya peligro de rayos.

El suelo mojado aumenta el riesgo de accidentes debido a una menor adherencia.

Se debe trabajar con especial precaución para no resbalar. Si es posible, evitar utilizar el equipo sobre suelo mojado.

No dejar el equipo expuesto a la lluvia sin protección.

Conectar el equipo:

Conectar el equipo con cuidado, conforme a las indicaciones del capítulo "Poner el equipo en servicio". (⇒ 10.)

Hay que asegurarse de que los pies estén suficientemente alejados de la herramienta de corte.

Para su conexión, el equipo debe encontrarse sobre una superficie plana.

El equipo no se debe volcar antes de conectarlo ni durante el proceso de conexión.

No conectar el motor eléctrico si el canal de expulsión no está cubierto con el deflector o con el recogedor de hierba.

Deben evitarse repetidas conexiones del equipo en poco tiempo, en particular, no se debe "jugar" con el botón de conexión. ¡Peligro de sobrecalentamiento del motor eléctrico!

Trabajo en pendientes:

Las pendientes deben cortarse siempre en sentido transversal y nunca en sentido longitudinal.

Si el usuario perdiera el control al cortar el césped en sentido longitudinal, podría ser atropellado por el equipo.

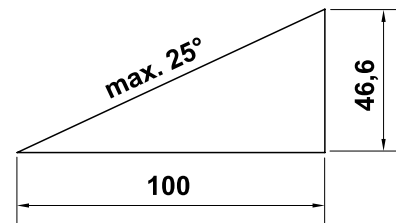
Hay que prestar especial atención al cambiar el sentido de marcha en pendientes.

Hay que asegurarse siempre de mantener una posición estable en pendientes y evitar trabajar con el equipo en pendientes excesivamente inclinadas.

Por motivos de seguridad, el equipo no se debe utilizar en pendientes con una inclinación superior a 25° (46,6 %).

¡Peligro de lesiones!

25° de pendiente equivalen a una subida vertical de 46,6 cm para 100 cm de longitud horizontal.



Uso de la máquina:



Atención: ¡peligro de lesiones!

No poner jamás las manos ni los pies al lado o debajo de elementos en rotación. No tocar nunca la cuchilla en funcionamiento. Mantenerse siempre alejado de la abertura de expulsión. Se debe respetar siempre la distancia de seguridad definida por el manillar.



No se debe intentar inspeccionar la cuchilla cuando el equipo esté funcionando. No hay que abrir nunca el deflector ni retirar el

recogedor de hierba con la cuchilla en marcha. La cuchilla en rotación podría causar lesiones.

Conducir el equipo a la velocidad del paso de una persona; nunca se debe correr al trabajar con él. Desplazando el equipo rápidamente se aumenta el peligro de lesiones causadas por tropezones, resbalones, etc.

Hay que prestar especial atención al dar la vuelta con el equipo o al acercarlo hacia uno mismo.

¡Existe el peligro de tropezar!

Jamás se deberá levantar o transportar el equipo con el motor eléctrico en marcha o con el cable de red conectado.

Deben esquivarse los objetos ocultos en el césped (aspersores de riego automático, estacas, válvulas de agua, fundamentos, cables eléctricos, etc.). No pase nunca la máquina por encima de semejantes objetos.

Utilice el equipo con sumo cuidado cuando trabaje en las cercanías de pendientes, bordes del terreno, zanjas y diques. Sobre todo hay que fijarse en estar a una distancia suficiente de tales puntos peligrosos.

Si la herramienta de corte o el equipo hubiera chocado contra algún obstáculo o cuerpo extraño, habrá que parar el motor eléctrico y desconectar la línea de alimentación para someter el equipo a una inspección profesional.



Preste atención a la inercia de la herramienta de corte, que seguirá girando algunos segundos antes de pararse.

Apagar el motor eléctrico:

- cuando haya que levantar el equipo para transportarlo por superficies que no sean hierba,
- cuando haya que llevar el equipo a la superficie a cortar o alejarlo de la misma,
- antes de retirar el recogedor de hierba,
- antes de ajustar la altura de corte.



Apagar el motor eléctrico, extraer el enchufe de red y asegurarse de que la herramienta de corte se haya detenido por completo,

- antes de eliminar bloqueos u obstrucciones en el canal de expulsión;
 - cuando la herramienta de corte haya chocado contra un objeto extraño. La herramienta de corte deberá examinarse por si hubiera sufrido algún daño. La máquina no debe ponerse en servicio con el eje de cuchillas o el árbol del motor eléctrico dañado o doblado.
- ### ¡Peligro de lesiones por componentes defectuosos!
- antes de examinar, limpiar o efectuar otros trabajos en la máquina (por ejemplo, ajustar la altura de corte, plegar o ajustar el manillar);
 - antes de abandonar la máquina o cuando la máquina esté sin vigilancia;
 - antes de levantar o cargar la máquina;
 - antes de transportar la máquina.
 - si se ha chocado contra un objeto extraño o si la máquina vibra con intensidad inusual. En tales casos, hay que comprobar si se ha producido algún daño en la máquina,

especialmente en la unidad de corte (cuchilla, eje de cuchillas, fijación de la cuchilla), y realizar las reparaciones necesarias antes de ponerla otra vez en marcha para trabajar con ella.



¡Peligro de lesiones!

Por regla general, la aparición de fuertes vibraciones es indicio de una avería.

En particular, la máquina no debe ponerse en marcha con un eje de cuchillas dañado o deformado o con una cuchilla dañada o doblada. Si uno no cuenta con los conocimientos necesarios, hay que encargar las reparaciones a una persona experta (STIHL recomienda los distribuidores especializados STIHL).

Debido a las fluctuaciones de tensión ocasionadas por este equipo al acelerarlo, podrían resultar afectados otros dispositivos conectados al mismo circuito de corriente en caso de producirse condiciones de red desfavorables. En este caso deben adoptarse medidas adecuadas (por ejemplo, conectar el equipo a otro circuito de corriente que no sea el del dispositivo afectado o a un circuito de corriente con un nivel de impedancia más bajo).

4.7 Mantenimiento, limpieza, reparación y almacenamiento



Apagar la máquina y extraer el enchufe de red antes de efectuar cualquier trabajo en ella, antes de ajustarla o limpiarla, y antes de verificar si está liado o dañado el cable de conexión.

Antes de guardarlo en lugares cerrados y antes de realizar cualquier trabajo de mantenimiento y limpieza, dejar que el equipo se enfríe por completo.

Limpieza:

Tras el trabajo, debe limpiarse concienzudamente todo el equipo.
(⇒ 11.2)

Soltar los restos de hierba con un palo de madera. Limpiar la parte inferior del cortacésped con agua y un cepillo.

No utilizar nunca equipos de limpieza a alta presión ni limpiar el equipo bajo agua corriente (p. ej., con una manguera de jardín).

No utilizar productos de limpieza agresivos. Estos pueden dañar el plástico y el metal, lo cual podría afectar al funcionamiento seguro de su equipo STIHL.

Para evitar un peligro de incendio, la zona de las aberturas de refrigeración entre el capó del motor eléctrico y la carcasa debe mantenerse libre de hierba, paja, musgo, hojas y grasa, entre otras cosas.

Trabajos de mantenimiento:

Solo pueden realizarse los trabajos de mantenimiento descritos en este Manual de instrucciones; todos los demás trabajos deben ser realizados por un distribuidor especializado.

En caso de que no disponga de los conocimientos y de los medios auxiliares necesarios, póngase **siempre** en contacto con un distribuidor especializado.

STIHL recomienda la realización de los trabajos de mantenimiento y reparación exclusivamente por el servicio técnico de un distribuidor especializado STIHL.

Los distribuidores especializados STIHL reciben formación e información técnica regularmente.

Utilice únicamente herramientas, accesorios o acoples que estén autorizados por STIHL para este equipo o piezas técnicamente equivalentes. En caso contrario, existe riesgo de accidentes con lesiones personales o daños en el equipo. En caso de dudas debería dirigirse a un establecimiento especializado.

En lo que respecta a sus características, las herramientas, accesorios y piezas de recambio originales STIHL están adaptadas de forma óptima al equipo y a las necesidades del usuario. Los recambios originales STIHL se reconocen mediante la referencia de recambio STIHL, el logotipo STIHL y en tal caso por el identificativo de recambio STIHL. En las piezas más pequeñas es posible que solamente esté presente este identificativo.

Mantenga los adhesivos de advertencia e indicación siempre limpios y legibles.

Debe sustituir los adhesivos dañados o ausentes por nuevos adhesivos originales que su distribuidor especializado STIHL le ponga a disposición. Si un componente se sustituye por otro nuevo, asegúrese que el nuevo componente disponga de los mismos adhesivos.

Los trabajos en la unidad de corte sólo deben llevarse a cabo con guantes de trabajo resistentes y tomando especiales medidas de precaución.

Mantener firmemente apretadas todas las tuercas, pernos y tornillos, especialmente el tornillo de cuchilla, para que el equipo se encuentre en condiciones de funcionamiento seguras.

Revisar regularmente si el equipo completo y el recogedor de hierba presentan desgaste o daños, especialmente antes de guardarlos (por

ejemplo, antes de la pausa invernal). Por motivos de seguridad, las piezas desgastadas o dañadas deben sustituirse de inmediato para que el equipo se encuentre siempre en un estado de funcionamiento seguro.

En caso de que para los trabajos de mantenimiento se deban retirar componentes o dispositivos de protección, es necesario volver a colocarlos inmediatamente después de forma correcta.

Comprobar periódicamente la correcta fijación de la cuchilla y la presencia de daños y desgaste.

4.8 Almacenamiento durante largos periodos de inactividad

Cuando se haya enfriado el equipo, hay que guardarlo en un lugar seco y cerrado.

Asegúrese de que el equipo no pueda ser utilizado por personas no autorizadas (p. ej. niños).

Limpiar a fondo el equipo antes de su almacenamiento (p. ej. en invierno).

El equipo debe guardarse en condiciones de servicio seguras.

4.9 Eliminación

Hay que asegurarse de que el equipo viejo se deseche correctamente. Inutilizar el equipo antes de desecharlo. Para prevenir accidentes, retirar sobre todo el cable de red o el cable eléctrico hacia el motor eléctrico.

¡Peligro de lesiones por la herramienta de corte!

Un equipo fuera de servicio tampoco debe dejarse nunca sin vigilancia. Hay que

asegurarse de que el equipo y la herramienta de corte queden fuera del alcance de los niños.

5. Descripción de los símbolos



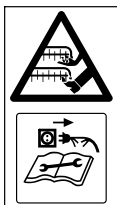
¡Atención!

Antes de la puesta en servicio de la máquina deben leerse y tenerse en cuenta el manual de instrucciones y las indicaciones de seguridad.



¡Peligro de lesiones!

Impedir que otras personas se acerquen a la zona de peligro.



¡Peligro de lesiones!

Mantener las manos y los pies alejados de las cuchillas. Cuidado con la cuchilla afilada. La cuchilla sigue funcionando después de la desconexión durante algunos segundos (freno de motor/ cuchilla). Apagar el motor y desconectar el enchufe de la red antes de efectuar cualquier trabajo de mantenimiento y limpieza en la herramienta de corte, antes de verificar si el cable de conexión está entrelazado o dañado y antes de abandonar la máquina.



¡Peligro de descarga eléctrica! Mantener el cable de conexión alejado de la herramienta de corte.



No trabajar bajo la lluvia ni en entornos húmedos.



Conectar el motor eléctrico.

6. Preparar el equipo para el servicio

6.1 Ensamblar el cortacésped



Peligro de lesiones

Tenga en cuenta las indicaciones de seguridad del capítulo "Para su seguridad". (⇒ 4.)

- Realizar el ensamblaje sobre una superficie nivelada, plana y firme. Controlar el contenido del suministro antes de proceder al montaje.
- Ensamblar el recogedor de hierba y montar las partes inferiores del manillar (D) – Tener en cuenta el par de apriete.
- Colocar la parte superior del manillar a la altura deseada sobre las partes inferiores del mismo y mantenerlo sujeto. (⇒ 7.3)



- Montar la parte superior del manillar y colocar el cable de corriente en la guía de cables (J) fijándolo al manillar con los clips de cable (K).
- Enganchar el recogedor de hierba. (⇒ 7.1)



7. Elementos de mando

7.1 Recogedor de hierba

Enganchar:

- Abrir el deflector (1) y mantenerlo

abierta. Colocar el recogedor de hierba (2) con las pestañas en los alojamientos (3) de la parte posterior del equipo.

- Cerrar el deflector (1).

Desenganchar:

- Abrir el deflector (1) y mantenerlo abierto.
- Levantar el recogedor de hierba (2) y retirarlo hacia atrás.
- Cerrar el deflector (1).

7.2 Indicador de nivel de llenado

El flujo de aire generado por la cuchilla eleva el indicador de nivel de llenado (1). Si el recogedor de hierba está lleno, el flujo de aire se detiene. Si el flujo de aire es insuficiente, el indicador de nivel de llenado (1) baja otra vez al modo de reposo. Esta es una indicación para vaciar el recogedor de hierba.



El indicador de nivel de llenado solo funciona a la perfección con un flujo de aire óptimo. Las influencias externas, como la hierba mojada, tupida o alta, niveles de corte bajos, suciedad, u otros factores similares, pueden alterar el flujo de aire y el funcionamiento del indicador de nivel de llenado.

A El recogedor de hierba se está llenando

B El recogedor de hierba está lleno

- Vaciar el recogedor de hierba (⇒ 10.5).

7.3 Manillar



¡Peligro de aplastamiento!

Cuando se desenroscan las empuñaduras giratorias se puede doblar la parte superior del manillar. Por ello hay que mantener sujeta la parte superior del manillar (2) siempre por el punto más alto mientras se sueltan las empuñaduras giratorias.

1 Doblar la parte superior del manillar:

Posición de transporte – para ahorrar espacio en el transporte y almacenamiento del equipo:

- Desenroscar las empuñaduras giratorias (1) hasta que giren libremente y plegar la parte superior del manillar (2) hacia delante. Prestar atención a que no resulte dañado el cable eléctrico.

Posición de trabajo – para desplazar el equipo:

- Desplegar la parte superior del manillar (2) hacia atrás sujetándola con una mano.

- Enroscar las empuñaduras giratorias (1).

2 Ajuste de la altura:

La parte superior del manillar puede montarse en 2 alturas:

- Desenroscar las empuñaduras giratorias (1) y sacar los tornillos (3).
- Colocar la parte superior del manillar (2) a la altura deseada:
Orificio **A**: posición alta
Orificio **B**: posición baja
- Introducir los tornillos (3) por los orificios de la parte inferior y superior del manillar; enroscar las empuñaduras giratorias (1).

7.4 Ajuste central de la altura de corte



Pueden ajustarse **cinco** alturas de corte diferentes.

Nivel 1:
altura mínima de corte (25 mm)

Nivel 5:
altura máxima de corte (65 mm)

Ajustar la altura de corte:

- Presionar la palanca de trinquete (1) hacia fuera y mantenerla en esta posición.
- Ajustar la altura de corte deseada moviendo el equipo hacia arriba y hacia abajo.
- Soltar la palanca de trinquete (1) y dejar que enclave.

8. Indicaciones para el trabajo

8.1 Información general



¡Peligro de lesiones!

Desenrede inmediatamente cualquier enredo de cable que se produzca.

Al cortar el césped, mantenga el cable de conexión siempre detrás de usted. Los cables de conexión pueden ser cortados involuntariamente al cortar el césped o producir tropiezos. Esto conlleva un alto riesgo de accidente. Por esta razón, hay que cortar de manera que el cable de conexión quede siempre visible sobre la superficie cortada.

Un césped bonito y tupido se obtiene solo cortándolo a menudo y repasándolo periódicamente para mantenerlo corto.

En un clima caluroso y seco no hay que cortarlo demasiado, puesto que, de lo contrario, el sol lo quemaría y tendría un mal aspecto.

Con una cuchilla afilada se consigue una mejor calidad de corte que con una cuchilla desafilada, por lo que debe afilarse periódicamente (Distribuidor especializado STIHL).

8.2 Carga correcta del motor eléctrico

No se debe encender el cortacésped en hierba alta o con la altura de corte mínima.

El cortacésped puede someterse a esfuerzo sólo en la medida en que no se haga descender la velocidad del motor eléctrico por debajo de límites prudenciales.

Si el nivel de revoluciones va en descenso, habrá que ajustar una altura de corte superior y/o disminuir la velocidad de avance.

8.3 Cuando se bloquea la cuchilla

Apagar inmediatamente el motor eléctrico y extraer el enchufe de red. A continuación, eliminar la causa de la anomalía.

8.4 Protección contra sobrecarga térmica del motor eléctrico

Si durante el trabajo se produce una sobrecarga del motor eléctrico, el dispositivo de protección contra sobrecarga térmica integrado lo desconectará automáticamente.

Posibles causas de sobrecarga:

- Corte de hierba demasiado alta o ajuste demasiado bajo de la altura de corte,
- Velocidad de avance excesiva,
- Limpieza insuficiente de la conducción del aire de refrigeración (ranuras de aspiración),
- Cuchilla desafilada o desgastada,
- Cable de conexión no adecuado o demasiado largo (caída de tensión) (⇒ 10.1).

Nueva puesta en servicio

Tras un tiempo de enfriamiento de hasta 20 min. (en función de la temperatura ambiente), poner el equipo en servicio nuevamente con toda normalidad (⇒ 10.).

8.5 Zona de trabajo del usuario



- Por motivos de seguridad, cuando el motor eléctrico está en marcha el usuario se debe mantener siempre detrás del manillar en la zona de trabajo. Se debe respetar siempre la distancia de seguridad definida por el manillar.
- El cortacésped debe ser manejado exclusivamente por una sola persona. Ninguna otra persona debe acercarse a la zona de peligro. (⇒ 4.)

9. Dispositivos de seguridad

El equipo cuenta con varios dispositivos de seguridad para un manejo seguro y para evitar un uso inadecuado.



¡Peligro de lesiones!

Cuando se detecta un defecto en un dispositivo de seguridad, el equipo no debe ser puesto en marcha. Póngase en contacto con un establecimiento especializado; STIHL recomienda los distribuidores especializados STIHL.

9.1 Dispositivos de protección

El cortacésped está equipado con dispositivos de protección, que impiden un contacto involuntario con la cuchilla y con material cortado expulsado.

Entre ellos se cuentan la carcasa, el deflector, el recogedor de hierba y el manillar montado debidamente.

9.2 Manejo con las dos manos

El motor eléctrico sólo se puede poner en marcha si se presiona y se mantiene presionado el botón de conexión con la mano derecha, y después se tira de la palanca de parada del motor hacia el manillar con la mano izquierda.

9.3 Freno contra la marcha por inercia del motor eléctrico

Al soltar la palanca de parada del motor, la cuchilla se detendrá antes de que transcurran 3 segundos.

Un freno contra la marcha por inercia integrado en el motor eléctrico reduce el periodo de rodaje por su propia inercia hasta que las cuchillas se detengan por completo.



Tras conectar el motor eléctrico, la cuchilla gira y se puede oír un ruido de viento. El tiempo de postfuncionamiento se corresponde con la duración del ruido de viento tras la desconexión del motor eléctrico y puede medirse con un cronómetro.

10. Poner el equipo en servicio

10.1 Conexión eléctrica del equipo



¡Peligro de descarga eléctrica!

Tenga en cuenta las indicaciones de seguridad del capítulo "Para su seguridad" (⇒ 4.2).

Si se utiliza un tambor de cable, el cable de conexión deberá estar totalmente desenrollado, pues de lo contrario se podría producir una pérdida de potencia y un sobrecalentamiento debido a la resistencia eléctrica.

Solo deben emplearse cables de conexión que no sean más ligeros que cables flexibles de goma **H07 RN-F DIN/VDE 0282**.

Sección mínima:

hasta 25 m de longitud: 3 x 1,5 mm²

hasta 50 m de longitud: 3 x 2,5 mm²

Los acoplamientos de los cables de conexión deben ser de goma o estar revestidos de goma, y deben cumplir la norma **DIN/VDE 0620**.

La tensión de red y la frecuencia de red deben coincidir con los datos de la placa de características o con los datos indicados en el capítulo "Datos técnicos" (⇒ 17.).

El cable de conexión a la red debe estar suficientemente protegido (⇒ 17.).

Este equipo está destinado al uso conectado a una red de alimentación de corriente con una impedancia de sistema

$Z_{\text{máx}}$ en el punto de entrega (conexión doméstica) de un máximo de **0,49 ohmios** (a 50 Hz).

El usuario debe asegurarse de que el equipo solamente se ponga en servicio con una red de alimentación de corriente que cumpla estos requisitos. Si fuera necesario, la impedancia del sistema puede consultarse a la empresa suministradora de energía local.

10.2 Dispositivo antitirones del cable



Durante el trabajo, el dispositivo antitirones evita que el cable de conexión se desconecte accidentalmente y que la conexión del cable de alimentación del equipo resulte dañada.

Por este motivo, el cable de conexión siempre debe guiarse por el dispositivo antitirones.

- Formar un lazo con el cable de conexión (1) y meterlo por la abertura (2).
- Colocar el lazo encima del gancho (3) y fijarlo.

10.3 Conectar el cortacésped



No conectar el motor eléctrico en hierba alta o con la altura de corte más baja, ya que esto dificultaría el proceso de conexión.

- Apretar el botón de conexión (1) y mantenerlo apretado. Tirar de la palanca de parada del motor (2) hacia el manillar y mantenerla sujeta.

- Una vez accionada la palanca de parada del motor (2), se puede soltar el botón de conexión (1).

10.4 Desconectar el cortacésped



- Soltar la palanca de parada del motor (1). El motor eléctrico y la cuchilla se detienen tras un corto periodo de rodaje por su propia inercia.

10.5 Vaciar el recogedor de hierba



¡Peligro de lesiones!



Antes de retirar el recogedor de hierba hay que apagar el motor eléctrico por motivos de seguridad.

- Desenganchar el recogedor de hierba. (⇒ 7.1)
- Abrir el recogedor de hierba por la lengüeta de cierre (1). Abrir la parte superior del recogedor de hierba (2) y mantenerla abierta. Abatir el recogedor de hierba hacia atrás y vaciar el material cortado.
- Cerrar el recogedor de hierba.
- Enganchar el recogedor de hierba. (⇒ 7.1)

11. Mantenimiento

11.1 Información general



¡Peligro de lesiones!

Tenga en cuenta las indicaciones de seguridad del capítulo "Para su seguridad" (⇒ 4.).

Mantenimiento anual por parte de un establecimiento especializado:

El cortacésped debe ser revisado una vez al año por un establecimiento especializado. STIHL recomienda los distribuidores especializados STIHL.

11.2 Limpiar el equipo



Intervalos de mantenimiento: Tras cada uso

- Colocar el cortacésped sobre una superficie firme, nivelada y plana.
- Desenganchar el recogedor de hierba. (⇒ 7.1)
- Volcar el cortacésped (1) hacia un lado para limpiar la parte inferior.
- Limpiar el equipo únicamente con agua, con un cepillo o con un paño. Soltar los restos de hierba con un palo de madera. En caso necesario, utilizar un limpiador especial (por ejemplo, el limpiador especial STIHL).
- No proyectar nunca chorros de agua o una limpiadora de alta presión sobre conmutadores, componentes del motor, juntas o cojinetes.

11.3 Motor eléctrico y ruedas

El motor eléctrico no requiere mantenimiento.

Los rodamientos de las ruedas no requieren mantenimiento.

11.4 Parte superior del manillar

Intervalos de mantenimiento: Antes de cada puesta en servicio

Comprobar si la parte superior del manillar presenta daños; esta está recubierta con una capa aislante. Si dicha capa está dañada, no poner en servicio el cortacésped y cambiar la parte superior del manillar.

11.5 Mantenimiento de la cuchilla



Intervalos de mantenimiento: Antes de cada uso

- ⚠ **¡Peligro de lesiones!** Comprobar que la cuchilla no presenta daños antes de cada uso. La cuchilla debe sustituirse cuando aparezcan muescas o fisuras, o cuando se hayan alcanzado o superado los límites de desgaste.
- Volcar el cortacésped hacia un lado. (⇒ 11.2)
- Limpiar la cuchilla (1), comprobar si presenta daños (mellas o fisuras) o desgaste y cambiarla en caso necesario.
- Comprobar el **grosor de la cuchilla** **A** en varios puntos con la ayuda de un pie de rey. Medir el grosor sobre todo también en la zona de las alas.
A > 1,6 mm
- Colocar una regla (2) en el canto frontal de la cuchilla y medir el **desgaste** **B**.
B < 5 mm

11.6 Desmontar y montar la cuchilla



⚠ **¡Peligro de lesiones!** Utilizar guantes de protección adecuados al realizar cualquier trabajo en la cuchilla.

- Volcar el cortacésped hacia un lado para realizar trabajos en la cuchilla. (⇒ 11.2)

1 Desmontaje:

- Sujetar la cuchilla (1) con una mano.
- Desenroscar el tornillo de cuchilla (2), sacarlo junto con el elemento de arrastre (3) y la cuchilla (1).

2 Montaje:

⚠ **¡Peligro de lesiones!** Controlar el estado de la cuchilla (daños, desgaste) antes del montaje, y cambiarla si fuera necesario. (⇒ 11.5)
Montar la cuchilla sólo como se muestra en la ilustración, con las alas dobladas apuntando hacia arriba (hacia el equipo). El par de apriete especificado para el tornillo de cuchilla debe respetarse estrictamente, ya que de ello depende la fijación segura de la herramienta de corte. Asegurar el tornillo de cuchilla adicionalmente con **Loctite 243**.

Cambiar el tornillo de cuchilla y el elemento de arrastre cada vez que se cambie la cuchilla.

- Limpiar la superficie de contacto de la cuchilla, el elemento de arrastre y el casquillo de cuchilla.

- Colocar la cuchilla (1) sobre el casquillo de cuchilla con las alas dobladas apuntando hacia arriba. Posicionar los pasadores de guía (4) del casquillo de cuchilla en las entalladuras de la cuchilla.
- Sujetar la cuchilla (1) con una mano y encajar el elemento de arrastre (3).
- Enroscar y apretar el tornillo de cuchilla (2).
Par de apriete del tornillo de cuchilla: 15 - 20 Nm

11.7 Afilar la cuchilla

STIHL recomienda encargar el afilado de la cuchilla a un especialista. Si la cuchilla no está correctamente afilada (ángulo de afilado incorrecto, desequilibrio, etc.), el funcionamiento del equipo se verá afectado negativamente.

Instrucciones de afilado:

- Desmonte la cuchilla. (⇒ 11.6)
- Enfríe la cuchilla durante el afilado, por ejemplo, con agua. A fin de conservar la resistencia de la cuchilla debe evitarse que su color cambie a azul.
- Afile la cuchilla uniformemente para evitar que se produzcan vibraciones por desequilibrio.
- Respete un ángulo de afilado de 30°.
- Tras el afilado, elimine eventualmente las rebabas de los filos con un papel de lija fino.

11.8 Conservación (parada invernal)

El equipo debe guardarse en un lugar seco, cerrado y sin polvo. Asegúrese de que no quede al alcance de los niños.

El cortacésped sólo debe guardarse en un estado de servicio seguro, si es necesario hay que abatir el manillar.

Mantenga todas las tuercas, pernos y tornillo fijamente apretados y sustituya las indicaciones de advertencia y peligro del equipo que sean ilegibles, compruebe signos de desgaste y daños en toda la máquina. Sustituya las piezas desgastadas o dañadas.

Deben solucionarse las posibles anomalías presentes en el equipo antes de guardarlo.

Si el cortacésped va a estar parado algún tiempo (parada invernal), hay que tener en cuenta los puntos siguientes:

- Limpie a fondo todos los componentes externos del equipo.
- Lubrique bien (aceite o grasa) todas las piezas móviles.

12. Transporte

12.1 Transporte



¡Peligro de lesiones!

Tener en cuenta el capítulo "Para su seguridad" antes del transporte. (⇒ 4.)

Durante el transporte hay que llevar siempre un equipamiento personal de seguridad adecuado (calzado de seguridad, guantes resistentes).

Antes de levantar o transportar el equipo hay que desconectar siempre la línea de alimentación.



Transporte del equipo:

- Transportar el cortacésped con una mano en el asa de transporte (1) y con la otra en la carcasa (2). Prestar atención a que haya siempre suficiente distancia entre la cuchilla y el cuerpo, especialmente los pies y las piernas.

o bien

- Transportar el cortacésped con una mano en el asa de transporte (1).

Sujeción del equipo:

- Asegurar el cortacésped y el recogedor de hierba sobre la superficie de carga con medios de sujeción adecuados.
- Fijar cuerdas o correas al asa de transporte (1) y a las partes inferiores del manillar (3).

13. Reducir el desgaste y prevenir daños

Información importante referente al mantenimiento y cuidado del grupo de productos

Cortacésped, de dirección manual y eléctrico (STIHL RME)

STIHL no se hace responsable de los daños personales y materiales ocasionados por la no observación de las indicaciones contenidas en las instrucciones de funcionamiento, especialmente en lo referente a la seguridad, el funcionamiento y el mantenimiento, o de los daños que aparezcan debidos a una utilización de accesorios o piezas de repuesto no autorizadas.

Siga siempre las instrucciones siguientes, que son importantes para evitar daños o un desgaste excesivo de su equipo STIHL:

1. Piezas de desgaste

Algunas piezas del equipo STIHL están sometidas a un desgaste normal, incluso utilizando el equipo de manera adecuada, por lo que deberán ser sustituidas a tiempo (dependiendo del tipo y de la duración de uso).

Estas son, entre otras:

- Cuchilla

2. Observación de las indicaciones del presente manual de instrucciones

El uso, mantenimiento y almacenamiento del equipo STIHL deberá efectuarse con sumo cuidado, tal y como se describe en este manual de instrucciones. El propio usuario es el responsable de todos los daños ocasionados por incumplimiento de las indicaciones de seguridad, utilización y mantenimiento.

Esto es especialmente válido en caso de:

- Cable de alimentación de dimensiones insuficientes (sección).
- Conexión eléctrica incorrecta (tensión).
- Modificaciones en el producto no autorizadas por STIHL.
- El uso de herramientas o piezas no permitidas para el equipo, no adecuadas o de calidad inferior.
- Un uso inadecuado del producto.
- La utilización del producto en eventos deportivos o en campeonatos.
- Daños ocasionados como consecuencia de un uso continuado del producto con componentes defectuosos.

3. Trabajos de mantenimiento

Todos los trabajos descritos en el apartado titulado "Mantenimiento" tienen que ser ejecutados regularmente.

Si el usuario no puede realizar alguno de estos trabajos de mantenimiento, deberá encomendar esta tarea a un establecimiento especializado.

STIHL recomienda que los trabajos de mantenimiento y reparación se realicen exclusivamente en las instalaciones del distribuidor especializado STIHL.

Los distribuidores especializados STIHL reciben formación e información técnica regularmente.

Si se descuidan estos trabajos pueden producirse daños de los que será responsable el usuario.

Los posibles daños son, entre otros:

- Daños en el motor eléctrico debido a una limpieza insuficiente de la conducción del aire de refrigeración (ranuras de aspiración).
- Daños por corrosión y otros daños derivados de un almacenamiento indebido.
- Daños en el equipo debido a la utilización de piezas de recambio de una calidad inferior.
- Daños por no realizar un mantenimiento periódico o por realizar un mantenimiento insuficiente, o bien por no realizar los trabajos de mantenimiento o reparación en un taller especializado.

14. Protección del medio ambiente



La hierba cortada no forma parte de la basura normal, sino que debe utilizarse para la preparación de compost.

Los embalajes, la máquina y los accesorios están fabricados con materiales reciclables y deben desecharse correspondientemente.

Una eliminación de restos de materiales por separado, respetando el medio ambiente, ofrece la posibilidad de reciclar las materias primas empleadas. Por esta razón, debe llevar el equipo a un centro de reciclaje cuando desee deshacerse de él. Tenga en cuenta para ello las indicaciones del capítulo "Eliminación" (⇒ 4.9).

Póngase en contacto con su centro de reciclado o su establecimiento especializado para recibir información sobre cómo desechar los productos de forma correcta.

15. Piezas de recambio habituales

Cuchilla:
6311 702 0100

Tornillo de cuchilla:
9018 321 1800

Elemento de arrastre:
6311 702 0600



El tornillo de cuchilla y el elemento de arrastre han de sustituirse cuando se cambie la cuchilla. Los repuestos se pueden obtener en los distribuidores especializados STIHL.

16. Declaración de conformidad

16.1 Declaración de conformidad de la UE para cortacésped STIHL RME 235.0

STIHL Tirol GmbH
Hans Peter Stihl-Straße 5
6336 Langkampfen
Austria

declara, como único responsable, que

- Artículo: Cortacésped eléctrico
- Marca: STIHL
- Tipo: RME 235.0
- Ancho de corte: 33 cm
- Identificación de serie: 6311

cumple con las disposiciones aplicables de las directivas 2006/42/EC, 2000/14/EC, 2014/30/EU y 2011/65/EU y se ha diseñado y fabricado en conformidad con las normas siguientes, en sus versiones en vigor en la fecha de producción: EN 60335-1, EN 60335-2-77, EN 55014-1, EN 55014-2, EN 61000-3-2 y EN 61000-3-3.

Entidad que participó en la evaluación:
TÜV Rheinland LGA Products GmbH
Tillystraße 2
90431 Nürnberg, DE

Para la determinación de la potencia sonora medida y garantizada se procedió según la directiva 2000/14/EC, anexo VIII.

- Potencia sonora medida: 92,1 dB(A)
- Potencia sonora garantizada: 93 dB(A)

La documentación técnica se conserva en la empresa STIHL Tirol GmbH.

El año de fabricación y el número de serie se indican en el cortacésped.

Langkampfen, 29.04.2021

STIHL Tirol GmbH

p.p.



Matthias Fleischer, director de Investigación y Desarrollo

p.p.



Sven Zimmermann, director de Calidad

17. Datos técnicos

Tipo	RME 235.0
Número de serie	6311
Motor, tipo	Motor eléctrico
Tipo de motor	Motor universal de CA
Tensión	230 V~
Entrada de potencia	1200 W
Frecuencia	50 Hz
Protección por fusible	5 A

Tipo	RME 235.0
Clase de protección	II
Tipo de protección	IPX 4
Dispositivo de corte	Barra portacuchillas
Ancho de corte	33 cm
Velocidad del dispositivo de corte	3200 rpm
Según 2000/14/EC / S.I. 2001/1701:	
Potencia sonora garantizada L_{WAd}	93 dB(A)
Factor K_{WA}	0,8 dB(A)
Medición según EN 60335-2-77:	
Nivel sonoro en el lugar de trabajo L_{pA}	80 dB(A)
Factor K_{pA}	2 dB(A)
Accionamiento de barra portacuchillas	permanente
Par de apriete de tornillo de cuchilla	15 - 20 Nm
Ø rueda delantera	140 mm
Ø rueda trasera	170 mm
Capacidad del recogedor de hierba	30 l
Altura de corte	25 - 65 mm
Valor característico de vibración declarado según EN 12096:	
Valor medido a_{hw}	1,40 m/seg ²
Factor K_{hw}	0,70 m/seg ²
Medición según EN 20643, EN 60335-2-77	
Longitud	127 cm
Ancho	37 cm
Altura	108 cm
Peso	13 kg
	14 kg (GB)

17.1 REACH

REACH es el marco reglamentario de la CE sobre registro, evaluación y autorización de sustancias químicas.

En www.stihl.com/reach se facilita más información sobre el cumplimiento del reglamento REACH (CE) N.º 1907/2006.

18. Localización de anomalías

✂ En caso necesario ponerse en contacto con un establecimiento especializado: STIHL recomienda los distribuidores especializados STIHL.

Anomalía:

El motor eléctrico no arranca

Posible causa:

- No hay tensión de red
- Cable de conexión, conectores macho/hembra o interruptor defectuosos
- Botón de conexión no pulsado
- El motor eléctrico está sobrecargado debido a un césped demasiado alto o húmedo
- Protección del motor eléctrico activada
- Carcasa del cortacésped obstruida
- Fusible defectuoso en el conector (versión de GB)

Solución:

- Comprobar la protección por fusible (⇒ 10.1)
- Comprobar cables/conectores/interruptor, cambiar los dañados (⇒ 10.1)
- Pulsar el botón de conexión (⇒ 10.3)
- No conectar el motor eléctrico en hierba alta, adaptar la altura de corte (⇒ 7.4)
- Dejar que el equipo se enfríe (⇒ 8.4)

- Limpiar la carcasa del cortacésped (⇒ 11.2)
- Cambiar el fusible del conector (✂)

Anomalía:

El dispositivo de seguridad eléctrica se dispara frecuentemente

Posible causa:

- El cable de conexión no es adecuado
- Sobrecarga eléctrica
- El aparato está sobrecargado por segar hierba demasiado alta o demasiado húmeda

Solución:

- Utilizar un cable de conexión adecuado (⇒ 10.1)
- Conectar el equipo a otro circuito de corriente
- Adaptar la altura y la velocidad de corte a las condiciones de segado (⇒ 7.4)

Anomalía:

Fuertes vibraciones durante el funcionamiento

Posible causa:

- Tornillo de la cuchilla flojo
- La cuchilla no está equilibrada

Solución:

- Apretar el tornillo de la cuchilla (⇒ 11.6)
- Afilar (equilibrar) o sustituir la cuchilla (⇒ 11.7)

Anomalía:

Corte imperfecto; el césped se pone de color amarillo

Posible causa:

- Cuchilla desafilada o desgastada

- La velocidad de avance es demasiado alta en relación con la altura de corte

Solución:

- Afilar o cambiar la cuchilla (⇒ 11.7)
- Disminuir la velocidad de avance y/o seleccionar la altura de corte adecuada (⇒ 7.4)

Anomalía:

Conexión difícil o pérdida de potencia del motor eléctrico

Posible causa:

- Corte de hierba demasiado alta o demasiado húmeda
- Carcasa del cortacésped obstruida

Solución:

- Adaptar la altura y la velocidad de corte a las condiciones de corte (⇒ 7.4)
- Limpiar la carcasa del cortacésped (extraer para ello el enchufe de red) (⇒ 11.2)

Anomalía:

El canal de expulsión está obstruido

Posible causa:

- La cuchilla está desgastada
- Hierba segada demasiado alta o demasiado húmeda

Solución:

- Sustituir la cuchilla (⇒ 11.7)
- Adaptar la altura y la velocidad de corte a las condiciones de segado (⇒ 7.4)

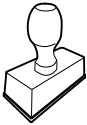
19. Plan de mantenimiento

19.1 Confirmación de entrega

Modelo: _____

Número de serie:

Fecha:



Próxima revisión

Fecha:

19.2 Confirmación de servicio técnico



Entregue este Manual de instrucciones a su distribuidor especializado STIHL al realizarse trabajos de mantenimiento.

Él le confirmará la ejecución de los trabajos de servicio técnico en los campos preimpresos.

Servicio técnico realizado el

Fecha del próximo servicio técnico

Estimados clientes,

ficamos muito satisfeitos pelo facto de ter escolhido a STIHL. Desenvolvemos e fabricamos os nossos produtos com a máxima qualidade e de acordo com as necessidades dos nossos clientes. Por isso, os produtos oferecem uma elevada fiabilidade mesmo sob condições de esforço extremo.

Também na assistência a STIHL é uma marca de excelência. O nosso revendedor autorizado garante aconselhamento e formação competente, e um acompanhamento técnico aprofundado.

Agradecemos a sua confiança e esperamos que aprecie o seu produto STIHL.



Dr. Nikolas Stihl

IMPORTANTE! LER E GUARDAR ANTES DA UTILIZAÇÃO.

1. Índice

Sobre este manual de utilização	42
Generalidades	42
Instruções sobre a leitura do manual de utilização	42
Diferenças entre países	42
Descrição do aparelho	43
Para sua segurança	43
Generalidades	43
Aviso – Perigos originados pela corrente elétrica	44
Vestuário e equipamento	45
Transporte do aparelho	45
Antes dos trabalhos	45
Durante o trabalho	46
Manutenção, limpeza, reparações e armazenamento	47
Armazenamento no caso de períodos de paragem mais longos	48
Eliminação	48
Descrição de símbolos	49
Preparar o aparelho para o funcionamento	49
Armar o cortador de relva	49
Elementos de comando	49
Cesta de recolha de relva	49
Indicador do nível	49
Guiador	50
Ajuste central da altura de corte	50
Instruções para trabalhar	50
Generalidades	50
Carga correta do motor elétrico	50
Se a lâmina de corte bloquear	51
Proteção térmica contra sobrecarga do motor elétrico	51
Área de trabalho do utilizador	51
Dispositivos de segurança	51
Dispositivos de proteção	51
Operação de duas mãos	51
Travão de inércia do motor elétrico	51
Colocar o aparelho em funcionamento	52
Ligar o aparelho à corrente elétrica	52
Alívio de tração	52
Ligar o cortador de relva	52
Desligar o cortador de relva	52
Esvaziar a cesta de recolha de relva	52
Manutenção	52
Generalidades	52
Limpar o aparelho	53
Motor elétrico e rodas	53
Parte superior do guiador	53
Manutenção da lâmina de corte	53
Desmontar e montar a lâmina de corte	53
Afiar a lâmina de corte	54
Arrumação (período de inverno)	54
Transporte	54
Transporte	54
Minimização do desgaste e prevenção de danos	54
Proteção do meio ambiente	55
Peças de reposição comuns	55
Declaração de conformidade	56
Declaração de conformidade da UE do cortador de relva STIHL RME 235.0	56
Dados técnicos	56
REACH	57
Localização de falhas	57
Plano de manutenção	58

Confirmação de entrega	58
Confirmação de assistência	58

2. Sobre este manual de utilização

2.1 Generalidades

Este manual de utilização é um **manual de instruções original** do fabricante de acordo com a Diretiva Comunitária 2006/42/EC.

A STIHL trabalha continuamente no desenvolvimento da sua gama de produtos, pelo que se reserva o direito de efetuar alterações nos componentes fornecidos no que respeita à forma, à técnica e ao equipamento.

Por esta razão, não é possível reclamar determinados direitos resultantes das indicações e figuras nesta brochura.

Neste manual de utilização, poderão ser descritos modelos que não estão disponíveis em todos os países.

Este manual de utilização está protegido por direitos de autor. Todos os direitos estão reservados, em particular o direito de reprodução, tradução e processamento com sistemas eletrónicos.

2.2 Instruções sobre a leitura do manual de utilização

As imagens e os textos descrevem determinados passos de operação.

Todos os símbolos gráficos aplicados no aparelho são explicados neste manual de utilização.

Perspetiva:

Perspetiva ao utilizar as designações "esquerda" e "direita" no manual de utilização:
O utilizador encontra-se atrás do aparelho e olha para a frente no sentido de marcha.

Referência de capítulo:

Uma seta remete para os respetivos capítulos e subcapítulos para mais explicações. O seguinte exemplo indica uma referência para um capítulo: (⇒ 3.)

Identificação de secções de texto:

As instruções descritas podem ser identificadas conforme os exemplos que se seguem.

Passos de operação que necessitam da intervenção do utilizador:

- Solte o parafuso (1) com uma chave de fendas, acione a alavanca (2)...

Enumerações gerais:

- Utilização do produto em eventos desportivos ou concursos

Textos com especial relevância:

As secções de texto com especial relevância são identificadas com um dos símbolos descritos a seguir, de modo a dar-lhes destaque adicional no manual de utilização.



Perigo!

Perigo de acidentes e ferimentos graves para pessoas. Um determinado comportamento é necessário ou deve ser omitido.



Aviso!

Perigo de ferimentos para pessoas. Um determinado comportamento evita ferimentos possíveis ou prováveis.



Cuidado!

Ferimentos ou danos materiais ligeiros que podem ser evitados através de um determinado comportamento.



Nota

Informação para uma melhor utilização do aparelho e para evitar possíveis falhas na utilização.

Textos com referência a imagens:

As figuras que esclarecem a utilização do aparelho encontram-se no início do manual de utilização.

O símbolo da câmara serve para associar as imagens nas páginas de imagens à respetiva parte do texto no manual de utilização.



2.3 Diferenças entre países

A STIHL fornece aparelhos com diferentes fichas e comutadores, dependendo do país de fornecimento.

As figuras mostram os aparelhos com fichas do tipo Euro. A ligação de aparelhos com outras versões de fichas à rede faz-se da mesma forma.

3. Descrição do aparelho



- 1 Parte superior do guiador
- 2 Arco de paragem do motor
- 3 Manípulo rotativo
- 4 Tampa de expulsão
- 5 Pega de transporte
- 6 Capot
- 7 Roda dianteira
- 8 Cáster
- 9 Roda traseira
- 10 Parte inferior do guiador
- 11 Grampo do cabo
- 12 Cesta de recolha de relva
- 13 Guia do cabo
- 14 Indicador do nível
- 15 Botão de arranque
- 16 Ligação à rede
- 17 Alívio de tracção
- 18 Alavanca do ajuste de altura

4. Para sua segurança

4.1 Generalidades



Ao trabalhar com o aparelho, deverá obrigatoriamente seguir as seguintes instruções de prevenção de acidentes.



Antes da primeira colocação em funcionamento, é necessário ler atentamente todo o manual de

utilização. Guarde o manual de utilização com cuidado para futura utilização.

Estas medidas preventivas são imprescindíveis para a sua segurança; no entanto, a listagem não é definitiva. Utilize o aparelho sempre com cuidado e com consciência da responsabilidade, tendo em consideração que o utilizador é responsável por eventuais acidentes causados a terceiros ou aos seus bens.

Familiarize-se com os elementos de comando e aprenda a utilizar o aparelho.

O aparelho apenas pode ser utilizado por pessoas que tenham lido o manual de utilização e estejam familiarizadas com o manuseamento do aparelho. Antes da primeira colocação em funcionamento, o utilizador deve procurar obter instruções competentes e práticas. O utilizador tem de ser instruído pelo vendedor ou por outra pessoa competente sobre a utilização do aparelho.

Com essas instruções, o utilizador deverá aprender em particular que é necessário ter o máximo cuidado e concentração para trabalhar com o aparelho.

Apesar de utilizar este aparelho de acordo com as normas, existem sempre alguns riscos.



Perigo de morte por asfixia!

Perigo de asfixia para crianças que brinquem com os materiais da embalagem. Mantenha os materiais da embalagem fora do alcance de crianças.

Por princípio, o aparelho, incluindo todos os aparelhos acopláveis, apenas pode ser entregue ou emprestado a pessoas que tenham sido instruídas ou que estejam familiarizadas com este modelo e

respetivo manuseamento. O manual de instruções é parte integrante do aparelho e tem de ser sempre fornecido.

Utilize o aparelho apenas se estiver descansado e se estiver em boas condições físicas e psíquicas. Se sofrer de algum problema de saúde, informe-se junto do seu médico sobre se pode trabalhar com o aparelho. Após a ingestão de bebidas alcoólicas, drogas ou medicamentos que possam afetar o poder de reação, não é permitido trabalhar com o aparelho.

Certifique-se de que o utilizador está em plena posse das suas capacidades físicas, sensoriais e mentais para utilizar e trabalhar com o aparelho. Caso o utilizador apresente capacidades físicas, sensoriais ou mentais limitadas para tal, o utilizador apenas poderá trabalhar com o aparelho sob supervisão ou de acordo com as indicações de uma pessoa responsável.

Garanta que o utilizador é maior de idade ou devidamente formado numa atividade sob supervisão, de acordo com a regulamentação nacional.

O aparelho foi concebido para uma utilização privada.

Atenção – Perigo de acidentes!

O aparelho destina-se apenas a cortar relva. Não é permitida qualquer outra utilização, a qual poderá ser perigosa ou originar danos no aparelho.

Devido ao risco de ferimentos do utilizador, o aparelho não pode ser utilizado para os seguintes trabalhos (lista incompleta):

- para aparar arbustos, sebes vivas e ramagens,
- para cortar trepadeiras,

- para cuidar de relvados em telhados ou em canteiros de varanda,
- para triturar ou lascar ramagens de árvores ou aparas de sebes,
- para limpar passeios (aspiração, expulsão por sopra),
- para aplanar o solo, como, por exemplo, para aplanar montes de toupeiras,
- para transportar material a cortar, exceto na cesta de recolha de relva concebida para o efeito.

Por motivos de segurança, qualquer alteração ao aparelho para além da montagem de acessórios autorizados pela STIHL é proibida, originando para além disso a anulação do direito à garantia. Poderá obter informações sobre acessórios autorizados junto do seu distribuidor oficial STIHL.

Em particular, é proibida qualquer alteração ao aparelho que altere a potência ou a rotação do motor de combustão ou do motor elétrico.

Não podem ser transportados objetos, animais ou pessoas, especialmente crianças, com o aparelho.

Durante a utilização em parques públicos, em instalações desportivas, em ruas e em empresas agrárias e florestais, dever-se-á tomar cuidados especiais.



Atenção! Risco para a saúde devido às vibrações! Uma grande carga de vibrações pode causar danos aos

sistemas circulatório e nervoso, especialmente em pessoas com problemas circulatórios. Consulte um médico caso ocorram sintomas que possam ser causados por vibrações. Entre estes sintomas, que ocorrem

principalmente nos dedos, mãos ou pulsos, incluem-se por exemplo (enumeração incompleta):

- perda de sensibilidade,
- dores,
- fraqueza muscular,
- descoloração da pele,
- sensação de formigueiro desagradável.

Durante o funcionamento, fixe firmemente o guiador com ambas as mãos nos locais previstos, mas sem tensão.

Programar o tempo de trabalho de modo a evitar cargas elevadas num período de tempo grande.

4.2 Aviso – Perigos originados pela corrente elétrica



Atenção!
Perigo de choque elétrico!

O cabo de rede, a ficha de rede, o interruptor para ligar/desligar e o cabo de ligação são especialmente importantes para a segurança elétrica. Cabos de ligação, acoplamentos e fichas danificados ou que não correspondam às normas não poderão ser utilizados, para que não se verifique o risco de um choque elétrico.

Por isso, verifique regularmente se o cabo de ligação apresenta indícios de danos ou envelhecimento (fragilidade).

Só coloque o aparelho em funcionamento com o cabo de rede desenrolado.



Sempre que usar um enrolador de cabos, o cabo tem de ser totalmente desenrolado antes da utilização.

Nunca utilize um cabo de extensão danificado. Substitua os cabos defeituosos por novos e não realize reparações em cabos de extensão.

O aparelho não pode ser utilizado com cabos danificados ou gastos. Verifique em particular se o cabo de ligação à rede apresenta danos e sinais de envelhecimento.

Os trabalhos de manutenção e de reparação em cabos de rede apenas podem ser efetuados por especialistas com formação específica.

Perigo de choque elétrico!

Não ligue um cabo danificado à corrente e toque num cabo defeituoso apenas quando estiver desligado da corrente.

Perigo de choque elétrico!

Não é permitido utilizar cabos, acoplamentos e fichas danificados ou cabos de ligação que não correspondam às prescrições.

Não toque nas unidades de corte (lâminas) antes de o aparelho ser desligado da rede elétrica.

Certifique-se sempre de que os cabos de rede utilizados estão adequadamente protegidos.



Embora o motor elétrico se encontre protegido contra salpicos de água, não é permitido trabalhar com o aparelho à chuva ou num ambiente molhado.

Utilize exclusivamente cabos de extensão isolados contra humidade para áreas exteriores, adequados para utilização com o aparelho (⇒ 10.1).

Ao cortar a relva, mantenha o cabo afastado da lâmina.

Desligue o cabo de ligação da ficha e da tomada e não puxe pelos cabos de ligação.

Se o aparelho for ligado a um grupo eletrogéneo, deverá ter em atenção que poderá ser danificado por variações de corrente.

Ligue o aparelho apenas a uma tomada protegida por um interruptor de proteção de corrente de falha com uma corrente de disparo máxima de 30 mA. O seu electricista poderá dar-lhe mais informações a este respeito.

Por motivos de segurança elétrica, o cabo elétrico tem de estar sempre corretamente montado no guiador.

4.3 Vestuário e equipamento



Durante o trabalho, utilize sempre calçado justo com sola antiderrapante. Nunca trabalhe descalço ou com sandálias, por exemplo.



Em trabalhos de manutenção e limpeza, bem como no transporte do aparelho, utilize também sempre luvas justas e prenda o cabelo comprido (elástico, gorro, etc.).



Ao afiar a lâmina de corte, é necessário utilizar óculos de proteção adequados.

O aparelho apenas pode ser colocado em funcionamento com calças compridas e vestuário justo.

Nunca utilize vestuário solto que possa ficar pendurado em peças móveis (alavanca de comando) - não utilize também joias, gravatas ou cachecóis.

4.4 Transporte do aparelho

Trabalhe apenas com luvas de modo a evitar ferimentos em peças do aparelho de arestas vivas e quentes.

Antes do transporte, desligue o aparelho, retire o cabo de rede e espere até a lâmina parar.

Transporte o aparelho apenas com o motor elétrico frio.

Observe o peso do aparelho e, se necessário, utilize auxílios de carga adequados (rampas de carga, dispositivos de elevação).

Proteja o aparelho e as respetivas peças transportadas (por exemplo, cesta de recolha de relva) na superfície de carga com meios de fixação (cintas, cabos, etc.) suficientemente dimensionados.

Ao levantar e carregar o aparelho, evite o contacto com a lâmina de corte.

Siga as indicações no capítulo "Transporte". Aí, é descrito como levantar ou prender o aparelho. (⇒ 12.1)

No transporte do aparelho, deve ser respeitada a legislação regional em vigor, em particular a que diz respeito à proteção das cargas e ao transporte de objetos em superfícies de carga.

4.5 Antes dos trabalhos

Certifique-se de que o aparelho apenas é utilizado por pessoas familiarizadas com o manual de utilização.

Tenha em conta as normas municipais sobre as horas em que é permitido usar aparelhos de jardinagem com motor de combustão ou motor elétrico.

Verifique todo o terreno em que irá aplicar o aparelho e retire todos os paus, pedras, arames, ossos e objetos estranhos que porventura poderiam vir a ser projetados pelo aparelho. Os obstáculos (como, por exemplo, troncos de árvores, raízes) podem não ser vistos no meio da relva alta.

Como tal, antes de trabalhar com o aparelho, marque todos os objetos estranhos (obstáculos) escondidos no relvado que não seja possível remover.

Antes da utilização do aparelho, substitua os componentes avariados, gastos e danificados. Substitua os avisos de perigo e alerta no aparelho que se tenham tornado ilegíveis ou estejam danificados. O seu distribuidor oficial STIHL tem disponíveis avisos autocolantes de reposição e todas as restantes peças de reposição.

O aparelho só pode ser utilizado num estado operacionalmente seguro. Antes de cada colocação em funcionamento, é necessário verificar:

- se o aparelho está montado corretamente.
- se a ferramenta de corte e toda a unidade de corte (lâmina de corte, elementos de fixação, cárter do mecanismo de corte) se encontram em perfeitas condições. Em particular, é necessário estar atento ao correto assentamento, à presença de danos (entalhes ou fendas) e ao desgaste.

- se os dispositivos de segurança (por exemplo, tampa de expulsão, cárter, guiador, arco de paragem do motor) estão em perfeitas condições e se funcionam corretamente.
- se a cesta de recolha de relva não está danificada e se está totalmente montada. Não deverá utilizar uma cesta de recolha danificada.
- se o travão de inércia do motor elétrico funciona.

Se necessário, realize todos os trabalhos necessários ou dirija-se a um distribuidor oficial. A STIHL recomenda os distribuidores oficiais STIHL.

Siga as indicações do capítulo "Perigos originados pela corrente elétrica" (⇒ 4.2).

Nunca ligue o motor elétrico sem a lâmina corretamente montada. Perigo de sobreaquecimento do motor elétrico!

4.6 Durante o trabalho



Nunca trabalhe enquanto estiverem animais ou pessoas, em particular crianças, na zona de risco.

Os dispositivos de comando e de segurança instalados no aparelho não podem ser retirados ou ligados em ponte. Em particular, nunca fixe o arco de paragem do motor no guiador da direção (por exemplo, amarrando-o).

O guiador tem de estar sempre corretamente montado e não pode ser alterado. Nunca coloque o aparelho em funcionamento com o guiador rebatido.

Nunca fixe objetos ao guiador (por exemplo, vestuário de trabalho). Não é permitido enrolar cabos de extensão à volta do guiador.

Trabalhe apenas à luz do dia ou com boa iluminação artificial.

Não trabalhe a temperaturas ambiente inferiores a +5 °C.

Não trabalhe com o aparelho à chuva, trovoadas e, em particular, sob o perigo de relâmpagos.

Com o piso húmido, existe um maior perigo de acidentes, devido à posição de trabalho menos segura.

Dever-se-á trabalhar de forma particularmente cuidadosa no sentido de evitar deslizamentos. Se possível, evite utilizar o aparelho com o piso húmido.

Não deixe o aparelho à chuva.

Ligar o aparelho:

Ligue o aparelho com cuidado, de acordo com as indicações do capítulo "Colocar o aparelho em funcionamento". (⇒ 10.) Mantenha uma distância suficiente entre os pés e a ferramenta de corte.

Ao ligar, o aparelho tem de estar numa superfície plana.

O aparelho não pode ser inclinado antes de ser ligado e durante o processo de ligação.

Não ligue o motor elétrico se o canal de expulsão não estiver coberto pela tampa de expulsão ou pela cesta de recolha de relva.

Evite repetir processos de ligação num curto espaço de tempo, nomeadamente "brincar" com o botão de ligação. Perigo de sobreaquecimento do motor elétrico!

Trabalhar em encostas:

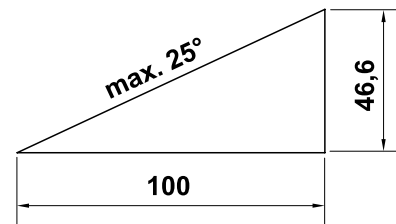
Em encostas, trabalhe sempre na transversal, nunca na longitudinal. Se o utilizador perder o controlo ao cortar a relva na longitudinal, poderá também vir a ser atropelado pelo cortador de relva em funcionamento.

Tenha o máximo de cautela ao mudar de direção no declive.

Garanta sempre uma posição estável em encostas e evite trabalhar com o aparelho em encostas demasiado íngremes.

Por motivos de segurança, o aparelho não poderá ser aplicado em declives com uma inclinação superior a 25° (46,6 %). **Perigo de ferimentos!**

Uma inclinação de terreno de 25° corresponde a uma subida vertical de 46,6 cm num comprimento horizontal de 100 cm.



Utilização no trabalho:



Atenção – Perigo de ferimentos!

Nunca aproxime as mãos ou os pés de peças em rotação.

Nunca toque na lâmina em rotação. Mantenha-se sempre afastado da abertura de expulsão. Deve manter-se sempre à distância de segurança dada pelo guiador.



Não tente inspecionar a lâmina enquanto o aparelho estiver em funcionamento. Nunca abra a tampa de expulsão e/ou remova a cesta de recolha de relva enquanto a lâmina estiver em funcionamento. A lâmina em rotação pode causar ferimentos.

Conduza o aparelho apenas a passo – nunca corra ao trabalhar com o aparelho. Se conduzir o aparelho rapidamente, o perigo de ferimentos é maior, podendo tropeçar, escorregar, etc.

Seja particularmente cauteloso ao inverter o sentido de marcha do aparelho ou ao puxá-lo para si.

Perigo de tropeçar!

Nunca levante ou transporte o aparelho com o motor elétrico a trabalhar nem com o cabo de rede ligado.

Os objetos escondidos na relva (instalações de irrigação de relva, estacas, torneiras de água, fundações, cabos elétricos, etc.) têm de ser contornados. Nunca passe por cima desses objetos estranhos.

Utilize o aparelho com especial cuidado quando estiver a trabalhar nas proximidades de encostas, arestas de terrenos, valas e lagos. Em particular, tenha a atenção de se manter a uma distância suficiente desses locais de perigo.

Caso a ferramenta de corte ou o aparelho tenham embatido num obstáculo ou num objeto estranho, desligue o motor elétrico, retire o cabo de rede e execute uma verificação minuciosa.



STOP

Atenção à desaceleração da ferramenta de corte, que leva alguns segundos até parar completamente.

Desligue o motor elétrico

- se transportar o aparelho por outras superfícies, a fim de despejar a relva,
- se tiver de levar e trazer o aparelho para a superfície a cortar,
- antes de remover a cesta de recolha de relva.
- antes de ajustar a altura de corte.



Desligue o motor elétrico, retire a ficha de rede e certifique-se de que a ferramenta de corte para por completo:

- antes de eliminar bloqueios ou entupimentos no canal de expulsão;
- Se a ferramenta de corte tiver batido num objeto estranho. É necessário verificar se a ferramenta de corte apresenta eventuais indícios de danos. O aparelho não pode ser colocado em funcionamento com o eixo de lâminas ou o eixo do motor elétrico empenado ou danificado. **Perigo de ferimentos por causa de peças avariadas!**
- Antes de verificar ou limpar o aparelho ou efetuar quaisquer trabalhos no mesmo (por exemplo, ajustar a altura de corte, rebater/ajustar o guiador);
- Antes de abandonar o aparelho ou quando estiver sem vigilância;
- Antes de levantar ou carregar o aparelho;
- Antes do transporte.

- Se tiver sido encontrado um objeto estranho ou caso o aparelho vibre fortemente, de modo anormal. Nestes casos, verifique se existem danos no aparelho, nomeadamente a unidade de corte (lâmina, eixo da lâmina, fixação da lâmina) e realize as reparações necessárias antes de voltar a ligar o aparelho e trabalhar com o mesmo.



Perigo de ferimentos!

Vibrações fortes indicam, por regra, uma avaria.

O aparelho não pode, em particular, ser colocado em funcionamento com o eixo de lâminas danificado ou empenado ou com uma lâmina de corte danificada ou empenada.

Se não tiver os conhecimentos necessários, solicite a realização das reparações necessárias a um especialista – a STIHL recomenda os distribuidores oficiais STIHL.

Devido às oscilações de tensão causadas por este aparelho ao arrancar, sob condições de rede desfavoráveis, poderão ser afetados outros dispositivos ligados no mesmo circuito. Nesse caso, execute as medidas adequadas (por exemplo, ligação a um circuito diferente do circuito do dispositivo em causa, funcionamento do aparelho num circuito com uma impedância mais baixa).

4.7 Manutenção, limpeza, reparações e armazenamento



Antes de todos os trabalhos no aparelho, antes de ajustar ou limpar o aparelho ou antes de verificar se o cabo de ligação está emaranhado ou danificado, desligue o aparelho e retire a ficha de rede.

Antes da arrumação em espaços fechados, trabalhos de manutenção e limpeza, deixe o aparelho arrefecer totalmente.

Limpeza:

O aparelho tem de ser cuidadosamente limpo na sua totalidade após ser utilizado. (⇒ 11.2)

Solte os restos de relva encrostados com uma tala de madeira. Limpe a parte inferior do cortador de relva com escova e água.

Nunca utilize um aparelho de limpeza de alta pressão e não limpe o aparelho com água a correr (por exemplo, com uma mangueira).

Não utilize produtos de limpeza agressivos. Estes produtos podem danificar plásticos e metais, prejudicando o funcionamento seguro do seu aparelho STIHL.

De modo a evitar riscos de incêndio, a área das aberturas de ar de refrigeração entre o capot do motor elétrico e o cárter deverá permanecer isenta de, por exemplo, relva, palha, musgo, folhas ou massa lubrificante vertida.

Trabalhos de manutenção:

Apenas podem ser realizados trabalhos de manutenção descritos neste manual de instruções; todos os restantes trabalhos deverão ser executados por um distribuidor oficial.

Se lhe faltarem os conhecimentos e os meios necessários, dirija-se **sempre** a um distribuidor oficial.

A STIHL recomenda a realização de trabalhos de manutenção e de reparação apenas por um distribuidor oficial STIHL. Os distribuidores oficiais STIHL

beneficiam de ações de formação regulares e dispõem de informações técnicas.

Utilize apenas ferramentas, acessórios ou aparelhos acopláveis autorizados pela STIHL para este aparelho ou peças tecnicamente idênticas. Caso contrário, poderão ocorrer ferimentos ou danos no aparelho. Em caso de dúvidas, deverá dirigir-se a um distribuidor oficial.

As características das ferramentas, acessórios e peças de substituição originais da STIHL estão adaptadas de forma ideal ao aparelho e às exigências do utilizador. As peças de reposição STIHL originais podem ser reconhecidas pelo número de peça de substituição STIHL, pela inscrição STIHL e, eventualmente, pela identificação de peça de substituição STIHL. Em peças pequenas, pode estar apenas o símbolo.

Mantenha os autocolantes de advertência e de indicação sempre limpos e legíveis. Os autocolantes danificados ou perdidos devem ser substituídos por novas placas originais do seu distribuidor oficial STIHL. Se um componente for substituído por uma peça nova, certifique-se de que a peça nova obtém os mesmos autocolantes.

Realize os trabalhos na unidade de corte apenas com luvas de proteção grossas e com extremo cuidado.

Mantenha todas as porcas, cavilhas e parafusos, especialmente o parafuso da lâmina, bem apertados, para que o aparelho se encontre em condições de funcionamento seguras.

Verifique frequentemente todo o aparelho e a cesta de recolha de relva, especialmente antes do armazenamento (por exemplo, antes do período de

inverno), quanto a desgaste e danos. Substitua imediatamente as peças gastas ou danificadas, por motivos de segurança, de modo que o aparelho esteja sempre em condições de funcionamento seguro.

Se tiverem sido retirados componentes ou dispositivos de segurança para efetuar trabalhos de manutenção, estes deverão ser imediatamente recolocados de forma correta.

Deverá verificar regularmente se a lâmina de corte assenta de forma segura e apresenta indícios de danos ou desgaste.

4.8 Armazenamento no caso de períodos de paragem mais longos

Armazene o aparelho frio num espaço seco e fechado.

Certifique-se de que o aparelho está protegido contra uma utilização indevida (por exemplo, por crianças).

Limpe minuciosamente o aparelho antes do armazenamento (por exemplo, período de inverno).

Armazene o aparelho num estado operacionalmente seguro.

4.9 Eliminação

Certifique-se de que um aparelho já desativado é encaminhado para ser eliminado de maneira tecnicamente correta. Antes de proceder à eliminação, inutilize o aparelho. No sentido de evitar acidentes, remova em particular o cabo de rede ou o cabo elétrico do motor elétrico.

Perigo de ferimentos na ferramenta de corte!

Nunca deixe um aparelho desativado sem

alguém a vigiar. Certifique-se de que o aparelho e a ferramenta de corte são guardados fora do alcance das crianças.

5. Descrição de símbolos



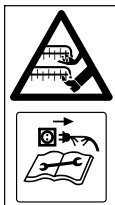
Atenção!

Antes da colocação em funcionamento, leia e observe o manual de utilização e as indicações de segurança.



Perigo de ferimentos!

Mantenha terceiros afastados da zona de risco.



Perigo de ferimentos!

Afaste as mãos e os pés das lâminas. Cuidado ao lidar com a lâmina afiada! A lâmina de corte continua a funcionar alguns segundos após ser desligada (travão do motor/ lâmina). Antes de efetuar trabalhos na ferramenta de corte, bem como antes de trabalhos de manutenção e limpeza, verifique previamente se o cabo de ligação está emaranhado ou danificado e, antes de abandonar o aparelho, desligue o motor e retire a ficha de rede.



Perigo de choque elétrico!

Manter o cabo de ligação afastado da ferramenta de corte.



Não trabalhe quando estiver a chover ou num ambiente molhado.



Ligue o motor elétrico.



6. Preparar o aparelho para o funcionamento


6.1 Armar o cortador de relva



Perigo de ferimentos

Observe as instruções de segurança do capítulo "Para sua segurança". (⇒ 4.)


- Arme o aparelho num piso plano, firme e horizontal. Antes da montagem, verifique o âmbito do fornecimento.  2
- Arme a cesta de recolha de relva e monte a parte inferior do guiador (D) – respeite o binário de aperto.  3
4
- Posicione a parte superior do guiador na altura pretendida sobre as partes inferiores do guiador e mantenha-a nessa posição. (⇒ 7.3)

- Monte a parte superior do guiador e insira o cabo de corrente, como ilustrado, na guia do cabo (J) e fixe com o grampo de cabo (K) no guiador.  5
- Engate a cesta de recolha de relva. (⇒ 7.1)


7. Elementos de comando

7.1 Cesta de recolha de relva

Engatar:

- Engate a tampa de recolha de relva (1) na tampa de engate (2).  6
 - Engate a cesta de recolha de relva (2) nos alojamentos (3) com as saliências de retenção na parte traseira do aparelho.
 - Feche a tampa de expulsão (1).
- #### Desengatar:
- Abra e segure na tampa de expulsão (1).
 - Levante a cesta de recolha de relva (2) e remova-a para trás.
 - Feche a tampa de expulsão (1).

7.2 Indicador do nível

O fluxo de ar gerado pelas lâminas faz elevar o indicador do nível (1). Se a cesta de recolha de relva estiver cheia, o fluxo de ar para. Se o fluxo de ar for diminuto, o indicador do nível (1) volta ao estado de repouso. Esta indicação serve de aviso para esvaziar a cesta de recolha de relva.  7

O funcionamento sem limitações do indicador do nível só é apresentado quando o fluxo de ar produzido é perfeito. Influências externas como relva molhada, densa ou alta, níveis de corte baixos, sujidade ou fatores semelhantes podem alterar o fluxo do ar e o funcionamento do indicador do nível.

A A cesta de recolha de relva está a ser enchida

B A cesta de recolha de relva está cheia:

- Esvaziar a cesta de recolha de relva cheia (⇒ 10.5).

7.3 Guiador



Perigo de entalamento!

Ao soltar os manípulos rotativos, é possível rebater a parte superior do guiador. Por isso, segure sempre na parte superior do guiador (2) pelo ponto mais alto com uma mão, enquanto solta os manípulos rotativos.

1 Rebater a parte superior do guiador:

Posição de transporte – para transportar e guardar o aparelho poupando espaço:

- Desenrosque os manípulos rotativos (1) até rodarem livremente e rebata a parte superior do guiador (2) para a frente. Certifique-se de que o cabo eléctrico não é danificado.

Posição de trabalho – para empurrar o aparelho:

- Rebata a parte superior do guiador (2) para trás e segure-a com uma mão.
- Enrosque firmemente os manípulos rotativos (1).

2 Ajuste da altura:

A parte superior do guiador pode ser montada em 2 alturas:

- Desaparafuse os manípulos rotativos (1) e retire os parafusos (3).
- Coloque a parte superior do guiador (2) na altura pretendida:
furo **A** – posição superior
furo **B** – posição inferior
- Insira os parafusos (3) nos furos da parte inferior e da parte superior do guiador e enrosque firmemente os manípulos rotativos (1).

7.4 Ajuste central da altura de corte



É possível regular **cinco** alturas de corte diferentes.

Nível 1:

altura de corte mais reduzida (25 mm)

Nível 5:

altura de corte mais elevada (65 mm)

Ajustar a altura de corte:

- Prima a alavanca de entalhe (1) para fora e mantenha-a premida.
- Ajuste a altura de corte pretendida movimentando o aparelho para cima e para baixo.
- Solte a alavanca de entalhe (1) e deixe-a engatar.

8. Instruções para trabalhar

8.1 Generalidades



Perigo de ferimentos!

Desembarace imediatamente eventuais cabos enredados.

Ao cortar a relva, mantenha o cabo de ligação atrás de si. Ao cortar a relva, os cabos de ligação podem ser cortados acidentalmente ou dar origem a tropeções. Por esse motivo, representam um elevado risco de acidentes. Assim, corte a relva apenas de modo que o cabo de ligação se encontre sempre visível no relvado já cortado.

Para obter uma relva bonita e espessa, é necessário cortá-la frequentemente e não a deixar crescer muito.

Quando o tempo estiver quente e seco, não corte a relva demasiado curta, uma vez que ficará queimada pelo sol, ganhando, assim, um aspeto feio.

Com uma lâmina afiada, a imagem de corte é mais bonita do que com uma lâmina embotada, devendo, como tal, esta ser afiada com regularidade (distribuidor oficial STIHL).

8.2 Carga correta do motor elétrico

Não ligue o corta-relva sobre relva alta ou com a altura de corte mais baixa.

O cortador de relva apenas deverá ser submetido a um esforço que não leve a uma redução considerável da rotação do motor elétrico.

No caso da redução da rotação, selecione um ajuste superior da altura de corte e/ou reduza a velocidade de avanço.

8.3 Se a lâmina de corte bloquear

Desligue imediatamente o motor elétrico e retire a ficha de rede. Em seguida, elimine a causa da avaria.

8.4 Proteção térmica contra sobrecarga do motor elétrico

No caso de ocorrer uma sobrecarga do motor elétrico durante o trabalho, a proteção térmica contra sobrecarga incorporada desliga automaticamente o motor elétrico.

O que pode causar uma sobrecarga:

- Cortar relva demasiado alta ou uma altura de corte muito baixa,
- Uma velocidade de avanço muito alta,
- Limpeza insuficiente da conduta de refrigeração (fendas de aspiração)
- A lâmina de corte está romba ou gasta,
- Cabo de ligação inadequado ou demasiado comprido - queda de tensão (⇒ 10.1).

Nova colocação em funcionamento

Depois de um período de arrefecimento de, no máximo, 20 minutos (dependendo da temperatura ambiente), coloque novamente o aparelho em funcionamento de forma normal (⇒ 10.).

8.5 Área de trabalho do utilizador



- Por motivos de segurança, o utilizador tem de se manter sempre dentro da área de trabalho, atrás do guiador, enquanto o motor elétrico estiver em funcionamento. Deve manter-se sempre à distância de segurança dada pelos guiadores.
- O cortador de relva só pode ser utilizado por uma pessoa. Todas as outras pessoas deverão afastar-se da zona de risco. (⇒ 4.)

9. Dispositivos de segurança

Para proporcionar um funcionamento seguro e uma proteção contra utilização inadequada, o aparelho está equipado com vários dispositivos de segurança.



Perigo de ferimentos!

Se for detetada uma avaria num dos dispositivos de segurança, não será possível colocar o aparelho em funcionamento. Dirija-se a um distribuidor oficial, a STIHL recomenda os distribuidores oficiais STIHL.

9.1 Dispositivos de proteção

O cortador de relva está equipado com dispositivos de proteção que evitam um contacto inadvertido com a lâmina de corte e com material a cortar expulso. Entre estes, incluem-se o cárter, a tampa de expulsão, a cesta de recolha de relva e o guiador corretamente montado.

9.2 Operação de duas mãos

Apenas é possível ligar o motor elétrico premindo e mantendo premido o botão de ligação com a mão direita e, em seguida, puxando o arco de paragem do motor em direção ao guiador com a mão esquerda.

9.3 Travão de inércia do motor elétrico

Após soltar o arco de paragem do motor, a lâmina de corte demora, no máximo, 3 segundos a parar.

Um travão de inércia do motor integrado no motor elétrico reduz o período de marcha por inércia até à paragem completa da lâmina.



Depois de o motor elétrico ser ligado, a lâmina roda e é possível ouvir um ruído de deslocação do ar. O período de funcionamento por inércia corresponde à duração do ruído de deslocação do ar após ligar o motor elétrico, podendo ser medido por um cronómetro.

10. Colocar o aparelho em funcionamento

10.1 Ligar o aparelho à corrente elétrica



Perigo de choque elétrico!

Observe as instruções de segurança do capítulo "Para sua segurança" (⇒ 4.2).

Sempre que usar um enrolador de cabos, o cabo de ligação tem de ser totalmente desenrolado antes da utilização. Caso contrário, poderá haver perda de rendimento e sobreaquecimento devido à resistência elétrica.

Só poderão ser utilizados como cabos de ligação cabos que não sejam mais leves do que os cabos de mangueira de borracha **H07 RN-F DIN/VDE 0282**.

Espessura mínima:

até 25 m de comprimento: 3 x 1,5 mm²
até 50 m de comprimento: 3 x 2,5 mm²

Os acoplamentos dos cabos de ligação têm de ser de borracha ou revestidos a borracha e estar em conformidade com a norma **DIN/VDE 0620**.

A tensão e a frequência de rede têm de estar em conformidade com as indicações da placa de identificação ou com as indicações do capítulo "Dados técnicos" (⇒ 17.).

O cabo de ligação à rede tem de estar suficientemente protegido (⇒ 17.).

Este aparelho está previsto para funcionar numa rede elétrica com uma impedância de sistema Z_{\max} no ponto de fornecimento (ligação doméstica) de **0,49 Ohm** (a 50 Hz), no máximo.

O utilizador tem de se certificar de que o aparelho só é utilizado numa rede elétrica que cumpra estes requisitos. Se necessário, a impedância do sistema pode ser consultada nas empresas locais de fornecimento de energia.

10.2 Alívio de tração



Durante o trabalho, o alívio de tração impede que o cabo de ligação seja inadvertidamente puxado, evitando assim um eventual dano na ligação do aparelho à rede.

Por isso, o cabo de ligação tem de passar pelo alívio de tração.

- Com o cabo de ligação (1), forme um laço e insira-o pela abertura (2).
- Passe o laço sobre o gancho (3) e aperte-o.

10.3 Ligar o cortador de relva



Não ligue o motor eléctrico sobre relva alta nem na altura de corte mais baixa, dado que isso dificulta o processo de ligação.

- Prima e mantenha premido o botão de ligação (1). Puxe o arco de paragem do motor (2) em direcção ao guiador e mantenha-o nessa posição.
- Após accionar o arco de paragem do motor (2), é possível soltar o botão de ligação (1).

10.4 Desligar o cortador de relva



- Solte o arco de paragem do motor (1). O motor eléctrico e a lâmina de corte param após um curto período de marcha por inércia.

10.5 Esvaziar a cesta de recolha de relva



Perigo de ferimentos!

Antes de remover a cesta de recolha de relva, desligue o motor eléctrico, por motivos de segurança.

- Desengate a cesta de recolha de relva. (⇒ 7.1)
- Abra a cesta de recolha de relva pela tala de fecho (1). Abra a parte superior da cesta de recolha (2) e mantenha-a nessa posição. Rebata a cesta de recolha de relva para trás e esvazie o material a cortar.
- Feche a cesta de recolha de relva.
- Engate a cesta de recolha de relva. (⇒ 7.1)

11. Manutenção

11.1 Generalidades



Perigo de ferimentos!

Observe as instruções de segurança do capítulo "Para sua segurança" (⇒ 4.).

Manutenção anual realizada pelo distribuidor oficial:

O cortador de relva deverá ser verificado por um distribuidor oficial uma vez por ano. A STIHL recomenda os distribuidores oficiais STIHL.

11.2 Limpar o aparelho



Intervalo de manutenção: após cada aplicação

- Coloque o cortador de relva num piso plano, horizontal e firme.
- Desengate a cesta de recolha de relva. (⇒ 7.1)
- Para limpar a parte inferior do aparelho cortador de relva (1), incline-o lateralmente.
- Limpe o aparelho apenas com água, com uma escova ou com um pano. Solte os restos de relva encrostados com uma tala de madeira. Se necessário, utilize o produto especial de limpeza (por exemplo, produto especial de limpeza STIHL).
- Nunca dirija jactos de água ou um aparelho de limpeza por alta pressão para interruptores, peças do motor, juntas de vedação e pontos de apoio.

11.3 Motor elétrico e rodas

O motor elétrico não necessita de manutenção.

Os mancais das rodas não necessitam de manutenção.

11.4 Parte superior do guiador

Intervalo de manutenção: antes de cada aplicação

Verifique se a parte superior do guiador está danificada – esta está revestida com uma camada isolante. No caso de estar danificada, não coloque o cortador de relva em funcionamento e substitua a parte superior do guiador.

11.5 Manutenção da lâmina de corte



Intervalo de manutenção: antes de cada aplicação

- ⚠ **Perigo de ferimentos!** Antes de cada montagem, verifique se a lâmina apresenta danos. A lâmina deve ser substituída se forem visíveis entalhes ou fendas ou se os limites de desgaste forem alcançados ou ultrapassados.
- Incline o cortador de relva lateralmente. (⇒ 11.2)
- Limpe a lâmina de corte (1) e verifique se apresenta danos (entalhes ou fendas) ou desgaste e, se necessário, substitua-a.
- Verifique a **espessura da lâmina A** em vários pontos com uma correção de medição. Em especial, meça novamente na área das alhetas da lâmina.
A > 1,6 mm
- Coloque uma régua (2) na aresta dianteira da lâmina e meça a **afiação traseira B**.
B < 5 mm

11.6 Desmontar e montar a lâmina de corte



- ⚠ **Perigo de ferimentos!** Use luvas adequadas em todos os trabalhos na lâmina de corte.
- Incline o cortador de relva lateralmente durante os trabalhos na lâmina de corte. (⇒ 11.2)
- 1 Desmontagem:**
 - Segure na lâmina de corte (1) com uma mão.
 - Desenrosque o parafuso da lâmina (2) e remova-o juntamente com o arrastador (3) e a lâmina de corte (1).
- 2 Montagem:**
 - ⚠ **Perigo de ferimentos!** Antes da montagem, verifique o estado da lâmina de corte (danos, desgaste) e, se necessário, substitua-a. (⇒ 11.5)
Monte a lâmina de corte apenas como ilustrado, com as pás arqueadas da lâmina para cima (voltadas para o aparelho). Respeite escrupulosamente o binário de aperto indicado para o parafuso da lâmina, dado que disso depende a fixação segura da ferramenta de corte. Fixe adicionalmente o parafuso da lâmina com **Loctite 243**.
Substitua o parafuso da lâmina e o arrastador em todas as substituições de lâminas de corte.
 - Limpe a superfície de apoio da lâmina, o arrastador e a bucha da lâmina.

- Coloque a lâmina de corte (1) com as pás arqueadas voltadas para cima na bucha da lâmina. Posicione os pinos de guia (4) da bucha da lâmina nos entalhes da lâmina de corte.
- Segure na lâmina de corte (1) com uma mão e encaixe o arrastador (3).
- Enrosque e fixe o parafuso da lâmina (2).
Binário de aperto do parafuso da lâmina:
15 - 20 Nm

11.7 Afiar a lâmina de corte

A STIHL aconselha que solicite a afiação da lâmina de corte a um especialista. Se a lâmina for afiada incorretamente (ângulo de afiação incorreto, desequilíbrio, etc.), o funcionamento do aparelho será afetado.

Instruções para afiar:

- Desmonte a lâmina de corte. (⇒ 11.6)
- Ao afiar, arrefeça a lâmina de corte, por exemplo, com água. Não deverá ocorrer uma coloração azul. Caso contrário, o poder de corte diminuirá.
- Afie a lâmina uniformemente de modo a evitar vibrações causadas por um desequilíbrio.
- Respeite um ângulo de afiação de 30°.
- Se necessário, remova a rebarba da afiação no gume cortante com uma lixa fina, após o processo de afiação.

11.8 Arrumação (período de inverno)

Guarde o aparelho num compartimento seco, fechado e com pouco pó. Certifique-se de que está guardado fora do alcance de crianças.

Armazene o cortador de relva apenas em condição segura de funcionamento e, se necessário, rebata o guiador.

Mantenha apertadas todas as porcas, cavilhas e parafusos e renove os avisos ilegíveis de perigo e atenção fixados no aparelho, verifique a máquina completa quanto a desgaste e danos. Substitua peças gastas ou danificadas.

As eventuais avarias do aparelho deverão ser sempre reparadas antes do armazenamento.

No caso de uma imobilização prolongada do cortador de relva (período de inverno), tenha em conta os pontos seguintes:

- Limpe cuidadosamente todas as peças exteriores do aparelho.
- Lubrifique generosamente todas as peças móveis com óleo ou massa lubrificante.

12. Transporte

12.1 Transporte



Perigo de ferimentos!

Antes do transporte, observe o capítulo "Para sua segurança". (⇒ 4.)

Durante o transporte, vista sempre vestuário de segurança adequado (sapatos de segurança, luvas apertadas).

Antes de levantar ou transportar, desencaixe sempre o cabo de rede.



Transporte do aparelho:

- Transporte o cortador de relva com uma mão na pega de transporte (1) e a outra mão no cárter (2). Garanta sempre uma distância suficiente entre a lâmina de corte e o corpo, particularmente ao nível dos pés e das pernas.

ou

- Transporte o cortador de relva com uma mão na pega de transporte (1).

Prender o aparelho:

- Fixe o cortador de relva e a cesta de recolha de relva na superfície de carga com meios de fixação adequados.
- Fixe cabos ou cintas na pega de transporte (1) e nas partes inferiores do guiador (3).

13. Minimização do desgaste e prevenção de danos

Indicações importantes sobre a manutenção e cuidados do grupo de produtos

Cortador de relva, de condução manual e funcionamento elétrico (STIHL RME)

A empresa STIHL exclui-se de toda e qualquer responsabilidade por danos materiais e pessoais causados pelo incumprimento das indicações deste manual de instruções, em especial no tocante à segurança, operação e manutenção, ou danos que ocorram em consequência da utilização de peças de acoplamento e peças de substituição não permitidas.

Siga imprescindivelmente as seguintes indicações importantes, a fim de evitar danos ou um desgaste excessivo do seu aparelho STIHL:

1. Peças de desgaste

Algumas peças do aparelho STIHL estão sujeitas a um desgaste normal, mesmo quando utilizadas devidamente e, dependendo do tipo e da duração da utilização, necessitam de ser substituídas oportunamente.

Entre outras, incluem-se as seguintes peças:

- Lâmina

2. Cumprimento das prescrições deste manual de utilização

A utilização, manutenção e armazenagem do aparelho STIHL devem ser realizadas tão cuidadosamente conforme descrito neste manual de utilização. Todos os danos causados pelo incumprimento das instruções de segurança, de funcionamento e de manutenção são da responsabilidade exclusiva do utilizador.

Isto aplica-se especialmente no caso de:

- Cabo de alimentação de dimensões insuficientes (secção transversal).
- Ligação elétrica incorreta (tensão).
- Alterações no produto não autorizadas pela STIHL.
- Utilização de ferramentas ou de acessórios não autorizados nem adequados para o aparelho ou de qualidade inferior.
- Utilização do produto de forma indevida.
- Utilização do produto em eventos desportivos ou concursos.

- Danos resultantes da utilização contínua do produto com peças defeituosas.

3. Trabalhos de manutenção

Todos os trabalhos mencionados no capítulo "Manutenção" têm de ser realizados regularmente.

Na medida em que estes trabalhos de manutenção não possam ser realizados pelo próprio utilizador, um distribuidor oficial dever-se-á encarregar da realização dos mesmos.

A STIHL recomenda a realização de trabalhos de manutenção e reparações apenas por um distribuidor oficial STIHL.

Os distribuidores oficiais STIHL beneficiam de ações de formação regulares e dispõem de informações técnicas.

Se estes trabalhos não forem realizados, poderão ocorrer danos, cuja responsabilidade caberá ao utilizador.

Entre estes, incluem-se:

- Danos no motor elétrico, em consequência de uma limpeza insuficiente da conduta de arrefecimento (fendas de aspiração).
- Danos por corrosão e outros danos resultantes de um armazenamento indevido.
- Danos no aparelho causados pela utilização de peças de reposição de má qualidade.
- Danos causados por uma manutenção não atempada ou insuficiente ou danos causados por trabalhos de manutenção ou de reparação que não tenham sido realizados nas oficinas de distribuidores oficiais.

14. Proteção do meio ambiente



As aparas de relva não devem ser postas no lixo, mas utilizadas como compostagem.

As embalagens, o aparelho e seus acessórios são fabricados a partir de materiais recicláveis e deverão ser eliminados como tal.

A eliminação de resíduos de materiais de forma separada e adequada à conservação do meio ambiente promove as possibilidades de reutilização das matérias recicláveis. Por essa razão, depois de terminar o tempo normal de vida útil do aparelho, este deve ser entregue para reciclagem. Siga as indicações de eliminação no capítulo "Eliminação" (⇒ 4.9).

Dirija-se ao seu centro de reciclagem ou ao seu distribuidor oficial para ficar a saber como os lixos devem ser removidos adequadamente.

15. Peças de reposição comuns

Lâmina de corte:
6311 702 0100

Parafuso da lâmina:
9018 321 1800

Arrastador:
6311 702 0600



O parafuso da lâmina e o arrastador têm de ser substituídos no caso de uma substituição da lâmina de corte. As peças de reposição podem ser obtidas junto do distribuidor oficial STIHL.

16. Declaração de conformidade

16.1 Declaração de conformidade da UE do cortador de relva STIHL RME 235.0

STIHL Tirol GmbH
Hans Peter Stihl-Straße 5
6336 Langkampfen
Áustria

declara sob a sua exclusiva responsabilidade que

- Modelo: cortador de relva elétrico
- Marca: STIHL
- Tipo: RME 235.0
- Largura de corte: 33 cm
- Identificação de série: 6311

satisfaz as disposições aplicáveis das diretivas 2006/42/EC, 2000/14/EC, 2014/30/EU e 2011/65/EU e foi desenvolvido e produzido em conformidade com as versões válidas à data da produção das seguintes normas: EN 60335-1, EN 60335-2-77, EN 55014-1, EN 55014-2, EN 61000-3-2 e EN 61000-3-3.

Entidade nomeada envolvida:
TÜV Rheinland LGA Products GmbH
Tillystraße 2
90431 Nürnberg, Alemanha

Para determinar o nível de potência acústica medido e garantido, foram respeitados os termos da diretiva 2000/14/EC, anexo VIII.

- Nível de potência acústica medido: 92,1 dB(A)

- Nível de potência acústica garantido: 93 dB(A)

A documentação técnica está guardada junto da STIHL Tirol GmbH.

O ano de fabrico e o número de máquina encontram-se indicados no cortador de relva.

Langkampfen, 29.04.2021

STIHL Tirol GmbH

p. p.



Matthias Fleischer, responsável pela área de Pesquisa e Desenvolvimento

p. p.



Sven Zimmermann, responsável pela área da Qualidade

17. Dados técnicos

Tipo	RME 235.0
Identificação de série	6311
Motor, modelo	Motor elétrico

Tipo	RME 235.0
Tipo de motor	Motor universal CA
Tensão	230 V~
Consumo de potência	1200 W
Frequência	50 Hz
Proteção fusível	5 A
Classe de proteção	II
Tipo de proteção	IPX 4
Dispositivo de corte	Barra porta-lâminas
Largura de corte	33 cm
Rotação do dispositivo de corte	3200 rpm
De acordo com 2000/14/EC/S.I. 2001/1701:	
Nível de potência acústica garantido	
L_{WA}	93 dB(A)
Incerteza K_{WA}	0,8 dB(A)
Medição de acordo com a EN 60335-2-77:	
Nível de pressão acústica no local de trabalho L_{pA}	80 dB(A)
Incerteza K_{pA}	2 dB(A)
Acionamento da barra porta-lâminas	Permanente
Binário de aperto do parafuso da lâmina	15 - 20 Nm
Ø das rodas dianteiras	140 mm
Ø das rodas traseiras	170 mm
Volume de enchimento da cesta de recolha de relva	30 l
Altura de corte	25 - 65 mm

Tipo	RME 235.0
Valor característico de vibração especificado de acordo com a EN 12096:	
Valor medido a_{hw}	1,40 m/s ²
Incerteza K_{hw}	0,70 m/s ²
Medição conforme a EN 20643, EN 60335-2-77	
Comprimento	127 cm
Largura	37 cm
Altura	108 cm
Peso	13 kg 14 kg (GB)

17.1 REACH

REACH designa um regulamento da CE sobre registo, avaliação e licença de químicos.

As informações para o cumprimento do Regulamento da REACH (CE) n.º 1907/2006 estão especificadas em www.stihl.com/reach.

18. Localização de falhas

✘ Se necessário, dirija-se a um distribuidor oficial, a STIHL recomenda os distribuidores oficiais STIHL.

Avaria:

O motor elétrico não arranca

Possível causa:

- Não há tensão de rede
- Cabo de ligação/ficha, acoplamento de ficha ou interruptor avariados
- Botão de arranque não premido
- O motor elétrico está sobrecarregado devido ao corte de relva demasiado alta ou húmida

- Protecção do motor eléctrico activada
- O cárter do cortador de relva está entupido
- Fusível da ficha avariado (versão GB)

Solução:

- Verificar a protecção fusível (⇒ 10.1)
- Verificar e, se necessário, substituir o cabo/ficha/interruptor (⇒ 10.1)
- Premir o botão de arranque (⇒ 10.3)
- Não ligar o motor eléctrico sobre relva alta, adaptar a altura de corte (⇒ 7.4)
- Deixar arrefecer o aparelho (⇒ 8.4)
- Limpar o cárter do cortador de relva (⇒ 11.2)
- Substituir o fusível da ficha (✘)

Avaria:

Disparo frequente do fusível de rede

Possível causa:

- Cabo de ligação não adequado
- Sobrecarga de rede
- O aparelho está sobrecarregado devido ao corte de relva demasiado alta ou húmida

Solução:

- Utilizar um cabo de ligação adequado (⇒ 10.1)
- Ligar o aparelho a outro circuito eléctrico
- Adaptar a altura de corte e a velocidade de corte às condições de corte (⇒ 7.4)

Avaria:

Fortes vibrações durante o funcionamento

Possível causa:

- O parafuso da lâmina está solto
- A lâmina não está equilibrada

Solução:

- Apertar o parafuso da lâmina (⇒ 11.6)
- Afiar (equilibrar) ou substituir a lâmina (⇒ 11.7)

Avaria:

Corte de má qualidade, a relva fica amarela

Possível causa:

- A lâmina de corte está embotada ou gasta
- A velocidade de avanço é demasiado elevada em relação à altura de corte

Solução:

- Afiar ou substituir a lâmina (⇒ 11.7)
- Reduzir a velocidade de avanço e/ou escolher a altura correta de corte (⇒ 7.4)

Avaria:

Dificuldades ao ligar ou a potência do motor eléctrico diminui

Possível causa:

- Corte de relva demasiado alta ou húmida
- O cárter do cortador de relva está entupido

Solução:

- Adaptar a altura de corte e a velocidade de corte às condições de corte (⇒ 7.4)
- Limpar o cárter do cortador de relva (para limpar, retirar a ficha da tomada) (⇒ 11.2)

Avaria:

O canal de expulsão está entupido

Possível causa:

- A lâmina de corte está gasta
- Corte de relva demasiado alta ou húmida

Solução:

- Substituir a lâmina de corte (⇒ 11.7)
- Adaptar a altura de corte e a velocidade de corte às condições de corte (⇒ 7.4)

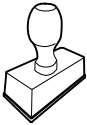
19. Plano de manutenção

19.1 Confirmação de entrega

Modelo: _____

Número de série:

Data:



Próximo serviço de assistência

Data:

19.2 Confirmação de assistência



No caso de trabalhos de manutenção, faculte este manual de utilização ao seu distribuidor oficial STIHL.

A realização dos trabalhos de assistência é confirmada nos campos pré-impresos.

Assistência realizada em

Data da próxima assistência

Kjære kunde,

vi er glade for at du har valgt STIHL. Vi utvikler og produserer våre produkter i topp kvalitet i samsvar med behovene til våre kunder. Dermed skapes produkter med høy pålitelighet selv ved ekstrem belastning.

STIHL står også for topp kvalitet ved servicen. Vår faghandel sikrer kompetent rådgivning og opplæring, samt omfattende teknisk omsorg.

Vi takker for din tiltro og ønsker deg god fornøyelse med ditt STIHL produkt.

Dr. Nikolas Stihl

VIKTIG! LESES FØR BRUK OG OPPBEVARES.

1. Innholdsfortegnelse

Om denne bruksanvisningen	60	Sikkerhetsutstyr	68
Generell informasjon	60	Sikkerhetsanordninger	68
Slik leser du denne bruksanvisningen	60	Tohåndsbetjening	68
Nasjonale varianter	60	Etterløpsbrems for den elektriske motoren	68
Maskinbeskrivelse	60	Ta maskinen i bruk	68
For din egen sikkerhet	61	Koble maskinen til strømuttaket	68
Generell informasjon	61	Strekavlastning	69
Advarsel – fare på grunn av elektrisk strøm	62	Slå på gressklipperen	69
Bekledning og utstyr	62	Slå av gressklipperen	69
Transport av maskinen	62	Tømme oppsamleren	69
Før arbeidet	63	Vedlikehold	69
Under arbeidet	63	Generell informasjon	69
Vedlikehold, rengjøring, reparasjoner og lagring	65	Rengjøring	69
Lagring ved lengre driftsopphold	65	Elektrisk motor og hjul	69
Kassering	66	Styreoverdel	69
Symbolforklaring	66	Vedlikeholde klippekniven	70
Gjøre maskinen klar for bruk	66	Demontere og montere klippekniv	70
Sette sammen gressklipperen	66	Slipe klippekniven	70
Betjeningselementer	66	Oppbevaring (vinterlagring)	70
Oppsamler	66	Transport	71
Nivåindikator	67	Transport	71
Styre	67	Minimere slitasjen og unngå skader	71
Sentral klippehøydejustering	67	Miljøvern	72
Informasjon om arbeid	67	Vanlige reservedeler	72
Generell informasjon	67	Produsentens samsvarserklæring	72
Riktig belastning for den elektriske motoren	67	Produsentens EU-samsvarserklæring for gressklipper STIHL RME 235.0	72
Hvis klippekniven er blokkert	68	Tekniske data	72
Termisk overbelastningsvern for den elektriske motoren	68	REACH	73
Brukerens arbeidsområde	68	Feilsøking	73
		Serviceplan	74
		Bekreftelse av overleveringen	74
		Servicebekreftelse	74

2. Om denne bruksanvisningen

2.1 Generell informasjon

Denne bruksanvisningen er en **original bruksanvisning** fra produsenten i henhold til EU-direktiv 2006/42/EC.

STIHL arbeider kontinuerlig med å videreutvikle produktutvalget, og vi må av den grunn forbeholde oss retten til forandringer i produktenes form, teknikk og utstyr.

Det kan derfor ikke fremmes krav på grunnlag av informasjon og bilder i denne brosjyren.

I denne bruksanvisningen er det kanskje beskrevet modeller som ikke er tilgjengelig i alle land.

Denne bruksanvisningen er opphavsrettslig beskyttet. Alle rettigheter er forbeholdt, spesielt retten til mangfoldiggjøring, oversettelse og bearbeiding i elektroniske systemer.

2.2 Slik leser du denne bruksanvisningen

Bilder og tekst beskriver bestemte fremgangsmåter.

Alle symbolene som finnes på maskinen, er forklart i denne bruksanvisningen.

Synsretning:

Synsretning ved bruk av "**venstre**" og "**høyre**" i bruksanvisningen:

Brukeren står bak maskinen og ser fremover i kjøreretningen.

Kapittelhenvisning:

En pil henviser til aktuelle kapitler og underkapitler som inneholder nærmere forklaring. Eksempelen under viser en henvisning til et kapittel: (⇒ 3.)

Merking av tekstavsnittene:

De beskrevne instruksene kan være utformet som i eksemplene nedenfor.

Fremgangsmåter som krever handling fra brukerens side:

- Løsne skruen (1) med en skrutrekker, og aktiver hendelen (2) ...

Generelle opplisteringer:

- Bruk av produktet i forbindelse med sportsarrangementer eller andre konkurranser

Tekst med ekstra betydning:

Tekstavsnitt med ekstra betydning er merket med et av symbolene som beskrives nedenfor, slik at disse fremheves spesielt i bruksanvisningen:



Fare!

Fare for uhell og alvorlig personskade. En bestemt handlemåte er nødvendig eller må unngås.



Advarsel!

Fare for personskade. En bestemt handlemåte hindrer mulige eller sannsynlige personskader.



Forsiktig!

Mindre skader eller materielle skader kan hindres ved å følge en bestemt handlemåte.



Merknad

Informasjon som hjelper brukeren med å bruke maskinen på en bedre måte og unngå feil bruk.

Tekst med bildereferanse:

Illustrasjonene som forklarer bruken av maskinen, finnes helt foran i bruksanvisningen.

Kamerasymbolet knytter bilder på illustrasjonssidene sammen med tilhørende tekst i bruksanvisningen.



2.3 Nasjonale varianter

STIHL leverer maskiner med forskjellige støpsler og brytere avhengig av landet de selges i.

Illustrasjonene viser maskiner med eurostøpsler. Maskiner med andre støpselstyper kobles til på samme måte.

3. Maskinbeskrivelse



- 1 Styreoverdel
- 2 Motorstoppbøyle
- 3 Dreiehåndtak
- 4 Utkastdeksel
- 5 Transporthåndtak
- 6 Motordeksel
- 7 Forhjul
- 8 Hus
- 9 Bakhjul

- 10 Styreunderdel
- 11 Ledningsklips
- 12 Oppsamler
- 13 Kabelføring
- 14 Nivåindikator
- 15 Startknapp
- 16 Nettilkobling
- 17 Strekkavlastning
- 18 Høyderereguleringsspak

4. For din egen sikkerhet

4.1 Generell informasjon



Sørg for å følge alle sikkerhetsanvisningene når du arbeider med maskinen.



Før maskinen tas i bruk, må bruksanvisningen leses nøye og i sin helhet. Oppbevar bruksanvisningen på et trygt sted for senere bruk.

Disse forholdsreglene er svært viktige for din sikkerhet. Oversikten er imidlertid ikke utfyllende. Bruk alltid sunn fornuft og opptre ansvarlig når du bruker maskinen. Husk at det er brukeren som er ansvarlig hvis det oppstår ulykker som involverer andre personer eller andres eiendom.

Som bruker er det viktig at du gjør deg kjent med betjeningselementene på og bruken av maskinen.

Maskinen skal kun brukes av personer som har lest bruksanvisningen og er fortrolige med hvordan maskinen betjenes. Sørg for å få kyndig og praktisk opplæring før du tar i bruk maskinen for første gang. La forhandleren eller en

annen fagkyndig gi deg en innføring i hvordan maskinen håndteres på en trygg måte.

Opplæringen skal særlig ha fokus på sikkerhet og viktigheten av å være forsiktig og konsentrert under arbeid med maskinen.

Selv om du betjener maskinen forskriftsmessig, vil det alltid være noe risiko forbundet med bruken.



Livsfare på grunn av kvelning!

Lek med emballasjen medfører kvelningsfare for barn. Sørg for at barn ikke leker med emballasjen.

Maskinen, inkludert alt tilleggsutstyr, må bare lånes eller gis bort til personer som har grunnleggende kunnskap om denne modellen og bruken av den. Bruksanvisningen er en del av maskinen og skal alltid følges med.

Maskinen skal bare brukes av personer som er opplagte og i god fysisk og psykisk form. Hvis du har helsemessige plager, må du spørre legen om arbeid med maskinen er tilrådelig. Maskinen skal ikke brukes etter inntak av alkohol, narkotiske stoffer eller medikamenter som fører til nedsatt reaksjonsevne.

Forsikre deg om at brukeren er fysisk, sensorisk og psykisk i stand til å betjene og arbeide med maskinen. Brukere med nedsatt fysisk, sensorisk eller psykisk funksjonsevne skal kun bruke gressklipperen under tilsyn eller etter anvisning fra en ansvarlig person.

Forsikre deg om at brukeren er myndig eller får yrkesopplæring under tilsyn iht. nasjonale bestemmelser.

Maskinen er utviklet for privat bruk.

Obs – fare for ulykker!

Maskinen skal bare brukes til gressklipping. Annen bruk er ikke tillatt og kan være farlig eller føre til skader på maskinen.

På grunn av faren for personskade skal maskinen ikke brukes til for eksempel følgende:

- klipping av busker og hekker
- klipping av klatreplanter
- klipping av gress på takbeplantninger og i balkongkasser
- kverning og finkutting av tre- og hekkavfall
- rengjøring av gangveier (opsamling, blåsing)
- utjevning av bakken
- transport av klippemateriale/gressavfall på andre måter enn med oppsamleren

Av sikkerhetsmessige årsaker er enhver endring på maskinen, med unntak av montering av tilbehør som er godkjent av STIHL, forbudt, og vil føre til at garantien opphører. Kontakt din STIHL forhandler for informasjon om tillatt tilbehør.

Det er strengt forbudt å manipulere maskinen for å øke effekten eller endre turtallet til forbrenningsmotoren eller den elektriske motoren.

Maskinen skal ikke brukes til å transportere gjenstander, dyr eller personer (særlig barn).

Ekstra forsiktighet kreves ved bruk på offentlige anlegg, i parker, på sportsanlegg, gater og i land- og skogbruk.



Obs! Fare for helseskade på grunn av vibrasjoner! For stor belastning i form av vibrasjoner

kan føre til skader på nerver og på blodsirkulasjonen, spesielt for personer med problemer med blodsirkulasjonen. Oppsøk lege hvis det oppstår symptomer som kan ha blitt utløst av vibrasjonsbelastning.

Slike symptomer oppstår hovedsakelig i fingrene, hendene eller håndleddene, og kjennetegnes ved (ufullstendig liste):

- følelsesløshet,
- smerter,
- tap av muskelkraft,
- endringer i hudfargen,
- ubehagelig prikking.

Hold godt fast i styret på de tiltenkte stedene med begge hender under arbeidet, men unngå et krampaktig grep.

Planlegg arbeidstidene for å unngå høye belastninger over en lengre periode.

4.2 Advarsel – fare på grunn av elektrisk strøm

Obs! Fare for elektrisk støt!

Strømledning, støpsel, av/på-bryter og tilkoblingsledning. Skadede kabler, koblinger og støpsler eller tilkoblingsledninger som ikke er i overensstemmelse med forskriftene, må ikke brukes. Dette for å unngå fare for elektrisk støt.

Se over tilkoblingsledningen med jevne mellomrom, og kontroller at den ikke er skadet eller er for gammel (sprø).



Maskinen skal først tas i bruk etter at strømledningen er rullet ut.

Ved bruk av en kabeltrommel skal denne alltid ruller helt ut før bruk.

Bruk aldri en skadet skjøteledning. Skift ut defekte ledninger med nye, og forsøk aldri å reparere en skjøteledning.

Maskinen må ikke brukes med skadede eller slitte ledninger. Kontroller spesielt nettilkoblingsledningen for skade og aldring.

Vedlikeholds- og reparasjonsarbeid på strømledningen skal bare utføres av spesialutdannede fagpersoner.

Fare for elektrisk støt!

En skadet ledning må ikke kobles til strømforsyningen, og den må være koblet fra strømmettet før den berøres.

Fare for elektrisk støt!

Ikke bruk kabler, koblinger, støpsler eller tilkoblingsledninger som ikke er i forskriftsmessig stand.

Kutteenhetene (knivene) skal ikke berøres før maskinen er koblet fra strømmettet.

Tilkoblingsledningene som brukes, skal alltid være tilstrekkelig sikret.



Selv om den elektriske motoren er beskyttet mot vannsprut, er det viktig at du ikke bruker maskinen i våte omgivelser eller når det regner.

Bruk bare fuktighetsisolerte skjøteledninger for utendørsbruk som er egnet for bruk med maskinen (⇒ 10.1).

Hold kablen unna kniven når du klipper.

Ta støpselet ut av stikkkontakten uten å dra i tilkoblingsledningen.

Hvis maskinen kobles til et strømaggregat, er det viktig å være oppmerksom på at den kan skades av strømsvingninger.

Maskinen må kun kobles til strømforsyning som har jordfeilbeskyttelse med aktiveringsstrøm på maksimalt 30 mA. Ta kontakt med en elektriker hvis du ønsker mer informasjon.

Av sikkerhetsmessige grunner skal strømkablen alltid være forskriftsmessig montert på styret.

4.3 Bekledning og utstyr



Bruk alltid solide sko med såler med god gripeevne under arbeidet. Gå aldri barbert eller med sandaler når du arbeider.



Når maskinen vedlikeholdes, rengjøres eller transporteres, skal du også bruke solide hansker, og langt hår må knyttes og holdes vekke (hodetørkle, lue osv.).



Bruk egnede beskyttelsesbriller ved sliping av klippekniven! Maskinen skal bare brukes av personer med langbukser og klær som sitter nært mot kroppen.

Bruk aldri løse klær som kan sette seg fast i bevegelige deler (betjeningshendler), heller aldri smykker, slips og sjal.

4.4 Transport av maskinen

Bruk alltid hansker under arbeidet, slik at du unngår å skade deg på skarpe kanter og varme deler.

Slå av maskinen, trekk ut støpselet og vent til knivene har stanset før du transporterer maskinen.

Transporter maskinen bare når den elektriske motoren er avkjølt.

Ta hensyn til maskinens vekt, og bruk egnet lasteutstyr (lasterampe, løfteanordninger).

Sikre maskinen og tilhørende deler (f.eks. oppsamler) på lasteflaten med festemidler som er sterke nok og egner seg til oppgaven (stroppe, tau osv.).

Unngå kontakt med klippekniven ved løfting og bæring.

Les spesielt informasjonen i kapitlet "Transport." Der oppgis det hvordan maskinen skal løftes og bindes fast. (⇒ 12.1)

Følg regionale forskrifter ved transport av maskinen, spesielt med hensyn til lastsikring og transport av gjenstander på lasteflater.

4.5 Før arbeidet

Sørg for at maskinen bare betjenes av personer som har lest bruksanvisningen.

Overhold de lokale forskriftene for når på døgnet hageredskaper med forbrenningsmotor eller elektrisk motor kan brukes.

Se over hele området som skal bearbeides, og fjern steiner, pinner, metalltråder og andre gjenstander som kan slynges opp foran maskinen. Det er lett å overse hindringer (f.eks. trestubber og røtter) i høyt gress.

Før du begynner arbeidet med maskinen, bør du derfor merke alle gjenstander (hindringer) som er skjult i gresset, og som ikke lar seg fjerne.

Skift ut eventuelle slitte eller defekte deler før du bruker maskinen. Informasjon om farer og advarsler som er blitt uleselig på maskinen, må skiftes ut. Du får nye klistremerker og alle andre reservedeler hos din STIHL forhandler.

Sørg for at maskinen er i driftssikker stand før du bruker den. Kontroller før hver bruk:

- At maskinen er i forskriftsmessig montert stand.
- At klippeverktøyet og den komplette klippeenheten (klippekniv, festeelementer, klippeaggregat) er i feilfri stand. Det er spesielt viktig å kontrollere knivfestet og knivslitasjen, samt se etter skader (hakk eller riper).
- At sikkerhetsanordningene (f.eks. utkastdekslet, huset, styret, motorstoppbøylene) er i feilfri stand og fungerer forskriftsmessig.
- At oppsamleren er fullstendig montert og uskadet. Ikke bruk oppsamleren hvis den er skadet.
- At etterløpsbremsen på den elektriske motoren fungerer.

Sørg for å få utført nødvendige arbeider, enten selv eller hos en forhandler. STIHL anbefaler at du kontakter STIHL forhandleren.

Les informasjonen i kapitlet "Farer forårsaket av elektrisk strøm" (⇒ 4.2).

Ikke slå på den elektriske motoren uten at kniven er forskriftsmessig montert. Fare for overoppheting av den elektriske motoren!

4.6 Under arbeidet



Ikke bruk maskinen når dyr eller personer (spesielt barn) oppholder seg i fareområdet.

Koblings- og sikkerhetsinnretningene som er montert på maskinen, skal ikke fjernes eller omgås. Ikke fest (f.eks. bind fast) motorstoppbøylene på styret.

Styret skal alltid være forskriftsmessig montert, og får ikke endres på. Maskinen må aldri tas i bruk med nedfelt styre.

Ikke fest gjenstander på styret (f.eks. arbeidsklær). Ikke tvinn skjøteledninger rundt styret.

Arbeid bare i dagslys eller med god kunstig belysning.

Ikke bruk maskinen ved temperaturer under +5 °C.

Arbeid ikke med maskinen ved regn eller tordenvær, spesielt ikke hvis det er fare for lynnedslag.

Fuktig og glatt underlag gjør at faren for ulykker øker.

Vær forsiktig under arbeidet slik at du ikke glir. Unngå om mulig å bruke maskinen på fuktig underlag.

Ikke la maskinen stå ute i regn.

Slå på maskinen:

Vær svært forsiktig når du starter maskinen, og følg anvisningene i kapitlet "Ta i bruk maskinen". (⇒ 10.)

Pass på at du står med føttene i god avstand fra klippeverktøyet.

Plasser maskinen på et jevnt underlag før du slår den på.

Ikke tipp maskinen før eller mens du slår den på.

Ikke start den elektriske motoren uten at utkastkanalen er dekt av utkastdekselet eller oppsamleren.

Unngå hyppige innkoblinger i løpet av kort tid (ikke trykk startknappen av og på unødvendig). Fare for overoppheting av den elektriske motoren!

Klipping i skråninger:

Skråninger skal alltid klippes i tverrgående retning, aldri på langs.

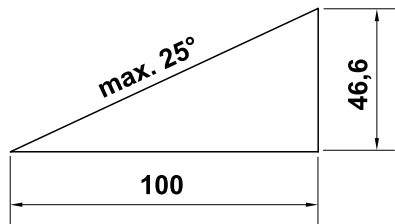
Hvis brukeren mister kontroll over maskinen ved klipping på langs, kan vedkommende få den aktive gressklipperen over seg.

Vær spesielt forsiktig når du endrer retning i skråninger.

Sørg for god stabilitet når du arbeider i skråninger, og unngå å arbeide i svært bratte skråninger.

Av sikkerhetsmessige årsaker skal ikke maskinen brukes i skråninger med stigning på mer enn 25° (46,6 %). **Fare for personskade!**

25° skråning tilsvarer en vertikal stigning på 46,6 cm ved 100 cm horisontal lengde.



Bruk av maskinen:



Obs! Fare for personskade!

Hold aldri hender eller føtter inntil eller under roterende deler. Ta aldri i kniven mens

den roterer. Ikke stå foran utkaståpningen. Sikkerhetsavstanden mellom styret og maskinen må alltid overholdes.



Ikke forsøk å inspisere kniven mens maskinen arbeider. Ikke forsøk å åpne utkastdekselet

og/eller ta av oppsamleren mens klippekniven går. Den roterende kniven kan forårsake personskader.

Gå langsomt når du bruker maskinen – ikke løp mens du arbeider med maskinen. Ved høy hastighet under arbeidet øker faren for skade ved at du snubler, sklir osv.

Vær spesielt forsiktig når du snur maskinen eller drar den mot deg.

Det er lett å snuble!

Ikke løft eller bær maskinen mens den elektriske motoren er i gang eller strømkabelen er koblet til. Fare for personskade!

Vær oppmerksom på objekter som eventuelt er skjult i gressrotsonen (vanningsanlegg, påler, vannventiler, fundamenter, strømledninger osv.). Kjør aldri over slike objekter.

Vær spesielt forsiktig når du bruker maskinen i nærheten av nedoverbakker, kanter i terrenget, grøfter og dammer. Pass spesielt på at du holder tilstrekkelig avstand til slike fareområder.

Hvis klippeverktøyet eller maskinen støter mot hindringer eller fremmedlegemer, slå du av den elektriske motoren, kobler fra strømledningen og undersøker maskinen nøye.



STOP

Vær oppmerksom på at klippeverktøyet roterer i noen sekunder etter at motoren er slått av.

Slå av den elektriske motoren

- når maskinen transporteres på annet underlag enn gress
- når maskinen transporteres til og fra klippeområdet som skal klippes
- før du tar av oppsamleren
- før du stiller inn klippehøyden



Slå av den elektriske motoren, trekk ut støpselet og vent til alt roterende klippeverktøy har stanset helt

- Før du fjerner blokkeringer eller tilstoppinger i utkastkanalen.
- Hvis klippeverktøyet har kommet borti en gjenstand. Kontroller at klippeverktøyet ikke er skadet. Ikke bruk maskinen hvis knivakselen eller akselen på den elektriske motoren er bøyd eller skadet. **Fare for personskader på grunn av defekte deler!**
- Før du undersøker eller rengjør maskinen, eller utfører arbeidet på den (f.eks. justering av klippehøyden, sammenklapping eller justering av styret).
- Før du setter fra deg maskinen, eller når den skal stå uten tilsyn.
- Før du løfter eller bærer maskinen.
- Før transport.
- Hvis du har kommet borti en gjenstand, eller hvis maskinen vibrerer mer enn vanlig. I slike tilfeller må du undersøke maskinen og spesielt klippeenheten (kniv, knivaksel og knivfeste) for skader, og få utført eventuelle nødvendige reparasjoner før du tar i bruk maskinen igjen.



Fare for personskade!

Sterke vibrasjoner er som oftest et tegn på en feil.

Maskinen får ikke brukes med skadet eller bøyd knivaksel/klippekniv.

Kontakt en fagperson (STIHL anbefaler STIHL forhandleren) for å få utført eventuelle nødvendige reparasjoner du ikke føler deg kvalifisert til å utføre selv.

Annet utstyr som er koblet til samme strømkrets, kan ved ugunstige nettforhold ødelegges på grunn av spenningssvingninger når maskinen startes. Iverksett i så fall egnede tiltak (du kan f.eks. koble til en annen strømkrets enn den for den aktuelle innretningen, eller koble maskinen til en strømkrets med lavere impedans).

4.7 Vedlikehold, rengjøring, reparasjoner og lagring



Slå av maskinen og trekk ut støpslet før du utfører arbeider på maskinen (f.eks. før du justerer eller rengjør maskinen, eller kontrollerer om tilkoblingsledningen er tvunnet eller skadet).

La maskinen avkjøles helt før du setter den bort i et lukket rom, rengjør den eller utfører vedlikeholdsarbeider.

Rengjøring:

Hele maskinen må rengjøres grundig etter hver bruk. (⇒ 11.2)

Bruk en trepinne til å løsne gress som har satt seg fast. Rengjør undersiden av gressklipperen med børste og vann.

Maskinen skal aldri rengjøres med høytrykksvasker eller under rennende vann (f.eks. med en hageslange).

Ikke bruk sterke rengjøringsmidler. Disse kan skade plast- og metaldeler og dermed redusere sikkerheten til din STIHL maskin.

For å unngå brannfare er det viktig at området rundt kjøleluftåpningene mellom dekselet og huset på den elektriske motoren holdes fritt for brennbart materiale som f.eks. gress, strå, mose, løv og fett.

Vedlikeholdsarbeider:

Bare vedlikeholdsarbeider som er beskrevet i denne bruksanvisningen, kan utføres av brukeren. Alle andre arbeider skal utføres av en forhandler.

Kontakt **alltid** forhandleren hvis du mangler nødvendig informasjon eller hjelpemidler.

STIHL anbefaler at alt vedlikeholdsarbeid og alle reparasjoner utføres hos en STIHL forhandler.

I tillegg til jevnlig tilbud om opplæring, får STIHL forhandlerne regelmessig tilsendt teknisk informasjon.

Bruk bare verktøy, tilbehør eller tilleggsutstyr som er godkjent for denne maskinen av STIHL, eller som korresponderer i teknisk utførelse. I motsatt fall kan det oppstå uhell som medfører personskader eller skader på maskinen. Kontakt forhandleren hvis du har spørsmål.

Originalt verktøy, tilbehør og originale reservedeler fra STIHL har egenskaper som gjør dem optimalt egnet for maskinen og kravene som brukeren stiller. Originale STIHL reservedeler kjennes igjen på STIHL reservedelsnummeret, STIHL logoen og eventuelt STIHL reservedelssymbolet. På små deler kan også symbolet stå alene.

Sørg for at advarsels- og merknadsklistremerker alltid er rene og lesbare. Bestill nye originale klistremerker hos STIHL forhandleren hvis klistremerker skades eller blir borte. Hvis en komponent skiftes ut med en ny del, må du passe på at samme klistremerker settes på den nye delen.

Bruk tykke arbeidshansker og vær svært forsiktig når du arbeider med klippeenheten.

Sørg for at alle muttere, bolter og skruer, spesielt knivskruen, sitter godt, slik at gressklipperen er i driftsmessig sikker stand.

Kontroller hele maskinen og oppsamleren regelmessig med tanke på slitasje og skader. Dette er spesielt viktig når maskinen ikke skal brukes på en stund (f.eks. når den skal settes bort for vinteren). Skift ut slitte eller skadde deler, slik at maskinen alltid er i driftssikker stand.

Hvis det ble fjernet deler eller beskyttelsesinnretninger i forbindelse med vedlikeholdsarbeidet, må disse straks settes tilbake på forskriftsmessig vis når arbeidet er utført.

Kontroller med jevne mellomrom at klippekniven sitter fast og ikke er skadet eller slitt.

4.8 Lagring ved lengre driftsopphold

Avkjøl maskinen og oppbevar den i et tørt, lukket rom.

Sørg for at maskinen er utilgjengelig for uvedkommende (f.eks. barn).

Rengjør maskinen grundig når den ikke skal brukes på lengre tid (f.eks. når den skal settes bort for vinteren).

Sørg for at maskinen er i driftssikker stand når du setter den til lagring.

4.9 Kassering

Sørg for at maskinen kasseres forskriftsmessig når den ikke lenger skal brukes. Sørg for å gjøre maskinen ubrukelig før kassering. For å unngå ulykker er det spesielt viktig å fjerne strømledningen eller -kabelen til den elektriske motoren.

Klippeverktøyet kan forårsake personskader!

Ikke la maskinen stå uten tilsyn! Dette gjelder selv om maskinen ikke lenger er i bruk og skal kasseres. Sørg for å oppbevare maskinen og klippeverktøyet utilgjengelig for barn.

5. Symbolforklaring



Obs!

Les bruksanvisningen og sikkerhetsforskriftene før bruk.



Fare for personskader!

Se til at ingen oppholder seg i fareområdet.



Fare for personskader!

Hold hender og føtter unna knivene. Klippekniven er skarp. Klippekniven fortsetter å gå i noen sekunder etter at motoren er slått av (motor-/ knivbrems). Slå alltid av motoren og trekk ut støpslet før du utfører arbeider på klippeverktøyet, før vedlikeholds- og rengjøringsarbeider, før du kontrollerer om tilkoblingsledningen er snodd eller skadet, og før du forlater maskinen.

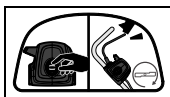


Fare for elektrisk støt!

Hold tilkoblingskabelen borte fra klippeverktøyet.



Ikke arbeid når det regner eller er vått ute.



Slå på den elektriske motoren.



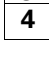

6. Gjøre maskinen klar for bruk

6.1 Sette sammen gressklipperen



Fare for personskade

Les sikkerhetsanvisningene i kapitlet "For din sikkerhet". (⇒ 4.)

- Sett sammen maskinen på et vannrett, jevnt og fast underlag. Kontroller de leverte produktkomponentene før monteringen. 
- Sett sammen oppsamleren, og monter styreunderdelene (D). Bruk riktig tiltrekingsmoment. 

- Plasser styreoverdelen i ønsket høyde på styreunderdelene, og hold den i denne stillingen. (⇒ 7.3)
- Monter styreoverdelen, legg strømledningen i kabelføringen (J) som vist på bildet, og fest den til styret med ledningsklipsene (K). 
- Fest oppsamleren. (⇒ 7.1)

7. Betjeningselementer

7.1 Oppsamler

Sette på:

- Åpne utkastdekslet (1) og hold det oppe. 
- Hekt på oppsamleren (2) ved å sette festeknastene inn i festene (3) på baksiden av maskinen.
- Sett utkastdekslet (1).
- Åpne utkastdekslet (1) og hold det oppe.
- Løft opp oppsamleren (2) og ta den av bakover.
- Lukk utkastdekslet (1).

7.2 Nivåindikator



Luftstrømmen som kniven genererer, hever nivåindikatoren (1). Når oppsamleren er full, stopper luftstrømmen. Ved for lite luftstrøm går nivåindikatoren (1) tilbake til hviletilstand. Dette er tegn på at oppsamleren må tømmes.

Nivåindikatorens funksjon er uten begrensninger kun ved optimal luftstrøm. Ytre faktorer som vått, tett eller høyt gress, lave klippehøyder, forurensning eller lignende kan påvirke luftstrømmen og nivåindikatorens funksjon.

A Oppsamleren fylles på

B Oppsamleren er fylt

- Tøm oppsamleren når den er full (⇒ 10.5).

7.3 Styre



Klemfare!

Styreoverdelen kan klappe sammen når dreiehåndtakene løsnes. Hold derfor med én hånd på det høyeste stedet på styreoverdelen (2) mens du løsner dreiehåndtakene.

1 Felle ned styreoverdelen:

Transportstilling – for plassbesparende transport og oppbevaring:

- Skru ut dreiehåndtakene (1) til de lett kan dreies, og fell styreoverdelen (2) fremover. Pass på at de elektriske ledningene ikke skades.

Arbeidsposisjon – for skyving av maskinen:

- Fell styreoverdelen (2) bakover, og hold den med én hånd.
- Skru fast dreiehåndtakene (1).

2 Høyderegulering:

Styreoverdelen kan monteres i to forskjellige høyder:

- Skru av dreiehåndtakene (1), og ta ut skruene (3).
- Hold styreoverdelen (2) i riktig høyde:
Hull **A** – høy posisjon
Hull **B** – lav posisjon.
- Før skruene (3) gjennom hullene på styreunderdelen og styreoverdelen, og skru fast dreiehåndtakene (1).

7.4 Sentral klippehøydejustering

Det kan stilles inn **fem** forskjellige klippehøyder.



Trinn 1:
laveste klippehøyde (25 mm)

Trinn 5:
høyeste klippehøyde (65 mm)

Justere klippehøyden:

- Trykk låsearmen (1) utover, og hold den i denne stillingen.
- Still inn ønsket klippehøyde ved å bevege maskinen opp eller ned.
- Slipp opp låsearmen (1), og la den gå i inngrep.

8. Informasjon om arbeid

8.1 Generell informasjon



Fare for personskade!

Hvis ledningen har snodd seg, må den straks rettes ut.

Trekk tilkoblingsledningen bak deg mens du klipper. Tilkoblingsledningen kan medføre snublefare eller bli klippet over ved et uhell. Den utgjør derfor en stor sikkerhetsrisiko. Klipp alltid slik at tilkoblingsledningen ligger godt synlig på den gressflaten som allerede er klipt.

En jevn og fin plen får du ved å klippe ofte og holde gresset kort.

Ved tørt og varmt vær bør ikke gresset klippes for kort. Plenen kan bli svidd av solen og bli stygg!

Slip kniven regelmessig (STIHL forhandler) for å få et penest mulig klipperesultat.

8.2 Riktig belastning for den elektriske motoren

Ikke slå på gressklipperen når den står i høyt gress eller når den er stilt inn på laveste klippehøyde.

Gressklipperen skal kun belastes så mye at turtallet til den elektriske motoren ikke synker vesentlig.

Hvis turtallet synker, må du bruke høyere klippehøyde og/eller redusere kjørehastigheten.

8.3 Hvis klippekniven er blokkert

Slå av den elektriske motoren umiddelbart og ta ut støpslet. Fjern deretter årsaken til feilen.

8.4 Termisk overbelastningsvern for den elektriske motoren

Hvis den elektriske motoren overbelastes under arbeidet, slås den av automatisk av det innebygde termiske overbelastningsvernet. Tiltak for å unngå at dette skjer igjen må gjøres.

Årsaker til overbelastning:

- Klipping av for høyt gress eller med for lav klippehøyde.
- For høy fremdriftshastighet.
- Utilstrekkelig rengjøring av kjøleribbene (sugeslissene).
- Klippekniven er sløv eller slitt.
- Uegnet eller for lang tilkoblingsledning – spenningsfall (⇒ 10.1).

Ta i bruk igjen maskinen

Maskinen kan tas i bruk igjen etter en avkjølingstid på ca. 20 min. (avhengig av omgivelsestemperaturen) (⇒ 10.).

8.5 Brukerens arbeidsområde



- Brukeren må av sikkerhetsgrunner oppholde seg i arbeidsområdet bak styret mens den elektriske motoren kjører. Sikkerhetsavstanden mellom styret og maskinen må alltid overholdes.
- Gressklipperen skal kun brukes av én person om gangen. Se til at ingen oppholder seg i fareområdet. (⇒ 4.)

9. Sikkerhetsutstyr

Maskinen har flere anordninger som gjør den sikker å bruke og beskytter mot feil bruk.



Fare for personskade!

Ikke bruk maskinen hvis det konstateres feil på en av sikkerhetsanordningene. Kontakt en forhandler. STIHL anbefaler STIHL forhandleren.

9.1 Sikkerhetsanordninger

Gressklipperen er utstyrt med sikkerhetsanordninger som skal hindre utilsiktet kontakt med klippekniven og klippematerialet/gressavfallet som kastes ut.

Dette innbefatter huset, utkastdekselet, oppsamleren og det forskriftsmessig monterte styret.

9.2 Tohåndsbetjening

Den elektriske motoren kan bare startes når du holder inne startknappen med den høyre hånden og dertil trekker motorstoppbøylen mot styret med den venstre.

9.3 Etterløpsbrems for den elektriske motoren

Når du slipper opp motorstoppbøylen, stanser klippekniven i løpet av 3 sekunder.

Den integrerte etterløpsbremsen i den elektriske motoren reduserer stopptiden på kniven.



Når forbrenningsmotoren er slått på, roterer kniven, og det høres en hvinende lyd.

Utkoblingsforsinkelsen tilsvarer varigheten på den hvinende lyden etter at elektromotoren er utkoblet. Dette kan måles med en stoppeklokke.

10. Ta maskinen i bruk

10.1 Koble maskinen til strømuttaket



Fare for elektrisk støt!

Les sikkerhetsanvisningene i kapitlet "For din sikkerhet" (⇒ 4.2).

Hvis du bruker kabeltrommel, må du rulle tilkoblingsledningen helt av trommelen, ellers kan den elektriske motstanden føre til redusert ytelse og overoppheting.

Tilkoblingsledningen må ikke være lettere enn gummikledd kabel **H07 RN-F DIN/VDE 0282**.

Minimumskrav til tverrsnitt:
ved lengde på opptil 25 m: 3 x 1,5 mm²
ved lengde på opptil 50 m: 3 x 2,5 mm²

Koblingene på tilkoblingsledningene må være i gummi eller være gummikledd, og de må være i overensstemmelse med standarden **DIN/VDE 0620**.

Nettspenningen og nettfrekvensen må stemme overens med opplysningene på merkeplaten eller i kapitlet "Tekniske data" (⇒ 17.).

Tilkoblingsledningen må være tilstrekkelig sikret (⇒ 17.).

Denne maskinen er konstruert for drift via strømnnett med systemimpedans Z_{\max} på overføringspunktet (hustilkoblingen) på maksimalt **0,49 ohm** (ved 50 Hz).

Brukeren må forvise seg om at enheten bare drives via et strømnnett som oppfyller disse kravene. Kontakt om nødvendig den lokale strømlleverandøren for informasjon om systemimpedansen.

10.2 Strekkavlastning



Under arbeidet forhindrer strekkavlastningen at tilkoblingsledningen utilsiktet trekkes ut av kontakten (dette kan skade strømtilkoblingen til maskinen)

Tilkoblingsledningen må derfor føres gjennom strekkavlastningen.

- Legg tilkoblingsledningen (1) i en løkke, og før denne gjennom åpningen (2).
- Hekt løkken inn på kroken (3), og stram til.

10.3 Slå på gressklipperen



i Ikke start den elektriske motoren i høyt gress eller med laveste klippehøyde, da dette vil gjøre den vanskelig å få start på. Overoppheting av maskinen

- Trykk på startknappen (1), og hold den inne. Trykk motorstoppbøylene (2) mot styret, og hold den der.
- Du kan slippe startknappen (1) etter at du har aktivert motorstoppbøylene (2).

10.4 Slå av gressklipperen



- Slipp motorstoppbøylene (1). Den elektriske motoren og klippekniven stanser etter en kort utkoblingstid.

10.5 Tømme oppsamleren



Fare for personskade!

Av sikkerhetsmessige hensyn må du slå av den elektriske motoren før du tar av oppsamleren.

- Ta av oppsamleren. (⇒ 7.1)
- Åpne oppsamleren med låseklaffen (1). Vipp opp oppsamleroverdelen (2), og hold den oppe. Snu oppsamleren oppned, og tøm ut klippematerialet/gressavfallet.
- Lukk oppsamleren.
- Hekt på oppsamleren. (⇒ 7.1)

11. Vedlikehold

11.1 Generell informasjon



Fare for personskader!

Les sikkerhetsanvisningene i kapitlet "For din sikkerhet" (⇒ 4.).

Foreta årlig vedlikehold hos forhandleren:

Gressklipperen bør kontrolleres årlig hos en forhandler. STIHL anbefaler at du kontakter STIHL forhandleren.

11.2 Rengjøring



Vedlikeholdsintervall: Etter hver bruk

- Sett gressklipperen på et fast, vannrett og jevnt underlag.
- Ta av oppsamleren. (⇒ 7.1)
- Vipp gressklipperen (1) over på siden for rengjøring av undersiden.
- Maskinen skal kun rengjøres med en fuktig klut eller en børste. Bruk en trepinne for å løsne gress som har satt seg fast. Bruk spesialrens (f.eks. STIHL spesialrens) hvis nødvendig.
- Ikke bruk høytrykksspyler eller vannslange på brytere, motordeler, tetninger eller lagerpunkter.

11.3 Elektrisk motor og hjul

Den elektriske motoren er vedlikeholdsfri. Hjulagrene er vedlikeholdsfrie.

11.4 Styreoverdel

Vedlikeholdsintervall: Før hver bruk

Kontroller styreoverdelen for skader – den er overtrukket med et isoleringssjikt. Hvis dette er skadet, skal du ikke ta maskinen i bruk, og styreoverdelen må skiftes ut.

11.5 Vedlikeholde klippekniven



Vedlikeholdsintervall: Før hver bruk



Fare for personskade!

Kontroller kniven for skader før hver bruk. Klippekniven må skiftes ut hvis det er synlige hakk eller riper i kniven, eller hvis slitegrensene er nådd eller overskredet.

- Vipp gressklipperen over på siden. (⇒ 11.2)
- Rengjør klippekniven (1), kontroller den for skader (hakk eller riper) og slitasje, og skift den om nødvendig ut.
- Mål **knivtykkelsen** **A** på flere punkter med en skyvelære. Kontroller også tykkelsen i området ved vingene på kniven.
A > 1,6 mm
- Legg en linjal (2) mot den fremre knivkanten, og mål **slitasjen** **B**.
B < 5 mm

11.6 Demontere og montere klippekniv



Fare for personskade!

Bruk alltid egnede vernehansker ved alt arbeid på klippekniven.

- Vipp gressklipperen over på siden for arbeid på klippekniven. (⇒ 11.2)

1 Demontering:

- Hold i klippekniven (1) med én hånd.
- Skru ut knivskruen (2) sammen med medbringeren (3), og ta den av sammen med klippekniven (1).

2 Montering:



Fare for personskade!

Kontroller at klippekniven er i god stand før monteringen (skader, slitasje), og skift den om nødvendig ut. (⇒ 11.5)

Klippekniven må bare monteres som vist på bildet, med de oppoverbøyde vingene på knivbladene pekende opp (mot maskinen). Overhold det foreskrevne tiltrekkingsmomentet for knivskruen nøye, ellers kan ikke klippeverktøyet brukes trygt. Fest i tillegg knivskruen med **Loctite 243**.

Skift ut knivskruen og medbringeren hver gang du skifter kniv.

- Rengjør anleggsflaten til knivhylsen og medbringeren.
- Sett klippekniven (1) på knivhylsen slik at de oppoverbøyde vingene vender opp. Plasser føringsstiftene (4) på knivhylsen i utsparingene på klippekniven.
- Hold klippekniven (1) med én hånd, og sett på medbringeren (3).
- Skru inn knivskruen (2), og trekk til. **Tiltrekkingsmoment** for knivskruen: 15 - 20 Nm

11.7 Slipe klippekniven

STIHL anbefaler at du kontakter fagfolk for å få slipt klippekniven. Hvis kniven slipes feil (feil vinkel, ubalanse osv.), påvirkes funksjonen til maskinen.

Fare for skade på maskinen og motoren!

Slipeveiledning:

- Demonter klippekniven. (⇒ 11.6)

- Avkjøl klippekniven under sliping, f.eks. med vann. Ikke la kniven bli blå, da dette reduserer holdbarheten.
- Slip kniven jevnt for å unngå vibrasjoner som skyldes ubalanse.
- Ha en slipevinkel på 30°.
- Bruk et fint slipepapir for å få bort eventuelle grader på skjærekanten etter avsluttet sliping.

11.8 Oppbevaring (vinterlagring)

Oppbevar maskinen i et tørt, lukket rom med lite støv. Sørg for å oppbevare maskinen utilgjengelig for barn.

Gressklipperen skal være i driftssikker stand når den settes bort for lagring. Fell ned styret om nødvendig.

Se til at alle muttere, bolter og skruer er strammet godt, skift ut farehenvisninger og advarsler på maskinen som har blitt uleselige, og kontroller hele maskinen for slitasje og skader. Skift ut slitte eller skadede deler.

Sørg for å få utbedret eventuelle feil før maskinen settes bort for lengre tid.

Husk følgende hvis gressklipperen skal settes bort i lengre tid (vinter):

- Rengjør alle maskinens deler grundig.
- Smør alle bevegelige deler godt med olje eller fett.

12. Transport

12.1 Transport



Fare for personskade!

Les grundig gjennom kapitlet "For din sikkerhet" før du transporterer maskinen. (⇒ 4.)

Under transport må du alltid ha på deg egnet verneutstyr (vernesko, solide hansker).

Før løfting eller transport må du alltid koble ut strømledningen.

Bære maskinen:

- Bær gressklipperen med én hånd på transporthåndtaket (1) og den andre på huset (2). Hold god avstand til klippeknyen, og pass særlig på føtter og bein.

eller

- Bær gressklipperen med én hånd i transporthåndtaket (1).

Binde fast maskinen:

- Sikre gressklipperen og oppsamleren med egnede festemidler på lasteflaten.
- Fest stropper eller seler i transporthåndtaket (1) og i styreunderdelene (3).

13. Minimere slitasjen og unngå skader

Viktige henvisninger vedrørende vedlikehold for produktgruppen

Gressklipper, håndstyrt og strømdrevet (STIHL RME)

STIHL frasier seg ethvert ansvar for materielle skader og personskader som skyldes at bruksanvisningen ikke er fulgt (spesielt med hensyn til sikkerhet, betjening og vedlikehold) eller at det er brukt ikke-godkjente påbyggings- eller reservedeler.

Følg disse henvisningene for å unngå skader eller unormal slitasje på din STIHL maskin:

1. Slitedeler

Enkelte av komponentene på STIHL maskinen utsettes for normal slitasje også når produktet brukes i henhold til bestemmelsene. Disse komponentene må skiftes ut i tide, avhengig av hvordan og hvor mye produktet brukes.

Det innbefatter blant annet:

- Kniver

2. Følg informasjonen i denne bruksanvisningen.

Bruk, vedlikehold og lagring av STIHL maskinen må skje i henhold til informasjonen i denne bruksanvisningen. Brukeren må selv ta ansvaret hvis det oppstår skader fordi sikkerhets-, bruks- og vedlikeholdsforskriftene ikke er fulgt.

Dette gjelder spesielt for:

- Ikke tilstrekkelig dimensjonert ledning (diameter).
- Feil elektrisk tilkobling (spenning).

- Endringer på produktet som ikke er godkjent av STIHL.
- Bruk av verktøy eller tilbehør som ikke er tillatt eller egnet for maskinen, eller som har dårlig kvalitet.
- Ikke forskriftsmessig bruk av produktet.
- Bruk ved sportsarrangementer eller andre konkurranser.
- Skader som følge av at produktet er brukt med defekte komponenter.

3. Vedlikeholdsarbeider

Alle arbeider som er nevnt under "Vedlikehold", må utføres regelmessig.

Hvis brukeren ikke kan utføre disse vedlikeholdsarbeidene selv, skal han eller hun ta kontakt med en forhandler.

STIHL anbefaler at alt vedlikeholdsarbeid og alle reparasjoner utføres hos en STIHL forhandler.

I tillegg til jevnlig tilbud om opplæring, får STIHL forhandlerne regelmessig tilsendt teknisk informasjon.

Hvis disse arbeidene forsømmes, kan det oppstå skader som brukeren er ansvarlig for.

Slike skader er blant annet:

- Skader på den elektriske motoren som er forårsaket av mangelfull rengjøring av kjøleribbene (sugeslissene).
- Rustskader og andre skader som oppstår som følge av uegnet lagringssted.
- Skader på maskinen grunnet bruk av reservedeler med dårlig kvalitet.

- Skader som skyldes at vedlikehold ikke er utført i rett tid eller utilstrekkelig vedlikehold, hhv. skader som skyldes vedlikeholds- eller reparasjonsarbeider som ikke er utført hos forhandlere.

14. Miljøvern



Gressavklippet skal ikke kastes sammen med husholdningsavfall. Det skal komposteres.

Emballasjen, maskinen og tilbehøret er produsert av gjenvinnbare materialer og må kasseres i samsvar med dette.

Atskilt, miljøvennlig kassering av materialrester bidrar til økt gjenbruk av verdistoffer. Maskinen bør derfor leveres til gjenvinning etter at maskinens normale levetid er nådd. Når maskinen skal kasseres, finner du informasjonen om dette i kapitlet "Kassering". (⇒ 4.9)

Kontakt nærmeste resirkuleringsstasjon eller forhandleren for informasjon om hvordan avfallsproduktene skal håndteres.

15. Vanlige reservedeler

Klippekniv:
90431 702 0100

Knivskruer:
9018 321 1800

Medbringer:
6311 702 0600



Knivskruen og medbringeren må skiftes ut når kniven skiftes. Reservedeler føres av STIHL forhandlere.

16. Produsentens samsvarserklæring

16.1 Produsentens EU-samsvarserklæring for gressklipper STIHL RME 235.0

STIHL Tirol GmbH
Hans Peter Stihl-Straße 5
6336 Langkampfen
Østerrike

bekrefter som eneansvarlig at maskinen

- Modell: Elektrisk drevet gressklipper
- Merke: STIHL
- Type: RME 235.0
- Klippebredde: 33 cm
- Serieidentifikasjon: 6311

oppfyller de relevante bestemmelsene i direktiv 2006/42/EC, 2000/14/EC, 2014/30/EU og 2011/65/EU og er utviklet og produsert i samsvar med de versjonene av følgende standarder som var gyldige på produksjonsdatoen: EN 60335-1, EN 60335-2-77, EN 55014-1, EN 55014-2, EN 61000-3-2 og EN 61000-3-3.

Medvirkende oppnevnt instans:
TÜV Rheinland LGA Products GmbH
Tillystraße 2
90431 Nürnberg, DE

Det garanterte lydeffektnivået er målt i henhold til direktiv 2000/14/EC, vedlegg VIII.

- Målt lydeffektnivå: 92,1 dB(A)
- Garantert lydeffektnivå: 93 dB(A)

Den tekniske dokumentasjonen oppbevares hos STIHL Tirol GmbH.

Produksjonsår og maskinnummer er angitt på gressklipperen.

Langkampfen, 29.04.2021

STIHL Tirol GmbH

på vegne av

Matthias Fleischer, leder for forskning og utvikling

på vegne av

Sven Zimmermann, kvalitetsansvarlig

17. Tekniske data

Type	RME 235.0
Serieidentifikasjon	6311
Motortype	Elektrisk motor
Motortype	AC universalmotor
Spenning	230 V~
Effekt	1200 W
Frekvens	50 Hz
Sikring	5 A

Type	RME 235.0
Beskyttelsesklasse	II
Beskyttelsestype	IPX 4
Klippeinnretning	knivbjelke
Klippebredde	33 cm
Turtall for klippeinnretningen	3200 o/min
I henhold til 2000/14/EC / S.I. 2001/1701:	
Garantert lydeffekt-nivå L_{WA}	93 dB(A)
Usikkerhet K_{WA}	0,8 dB(A)
Måling i henhold til EN 60335-2-77:	
Lydtrykknivå på arbeidsplassen L_{pA}	80 dB(A)
Usikkerhet K_{pA}	2 dB(A)
Drift av knivbjelke	Permanent
Tiltrekkingsmoment knivskruer	15 - 20 Nm
Hjul-Ø foran	140 mm
Hjul-Ø bak	170 mm
Fyllmengde i oppsamlere	30 l
Klippehøyde	25 - 65 mm
Angitt vibrasjonskarakteristikk iht. EN 12096:	
Målt verdi a_{hw}	1,40 m/sek ²
Usikkerhet K_{hw}	0,70 m/sek ²
Måling iht. EN 20643, EN 60335-2-77	
Lengde	127 cm
Bredde	37 cm
Høyde	108 cm
Vekt	13 kg
	14 kg (GB)

17.1 REACH

REACH er navnet på en EU-bestemmelse for registrering, vurdering og godkjenning av kjemikalier.

Informasjon om innfrielse av REACH-bestemmelsen (EU) nr. 1907/2006 finnes på www.stihl.com/reach.

18. Feilsøking

✘ Kontakt eventuelt en forhandler. STIHL anbefaler STIHL forhandleren.

Feil/problem:

Den elektriske motoren starter ikke

Mulig årsak:

- Ikke nettspenning
- Tilkoblingskabelen/støpselet, støpselkoblingen eller bryteren er defekt
- Startknappen er ikke trykt inn
- Den elektriske motoren er overbelastet på grunn av for høyt eller vått gress
- Beskyttelsen til den elektriske motoren er aktivert
- Klipperhuset er tilstoppet
- Sikringen i støpselet er defekt (bare Storbritannia)

Tiltak:

- Undersøk sikringen (⇒ 10.1)
- Kontroller og eventuelt skift ut kabelen/støpselet/bryteren (⇒ 10.1)
- Trykk på startknappen (⇒ 10.3)
- Ikke start den elektriske motoren i høyt gress, og pass på å justere klippehøyden (⇒ 7.4)
- La maskinen avkjøles (⇒ 8.4)
- Rengjør klipperhuset (⇒ 11.2)
- Bytt sikringen i støpselet (✘)

Feil/problem:

Nettsikringen utløses ofte

Mulig årsak:

- Ikke egnet tilkoblingsledning
- Overbelastning av nettet
- Overbelastning av maskinen på grunn av for høyt eller for fuktig gress

Tiltak:

- Bruk egnet tilkoblingsledning (⇒ 10.1)
- Koble maskinen til en annen strømkrets
- Tilpass klippehøyden og -hastigheten etter klippeforholdene (⇒ 7.4)

Feil/problem:

Sterke vibrasjoner under bruk

Mulig årsak:

- Knivskruer er løse
- Knivene er ikke avbalansert

Tiltak:

- Stram knivskruen (⇒ 11.6)
- Etterslip (avbalanser) eller skift ut kniven (⇒ 11.7)

Feil/problem:

Ujevnt klipperesultat, gressplenen blir gul

Mulig årsak:

- Klippekniven er sløv eller slitt
- Hastigheten fremover er for stor i forhold til klippehøyden

Tiltak:

- Etterslip eller skift ut klippekniven (⇒ 11.7)
- Reduser hastigheten og/eller still inn riktig klippehøyde (⇒ 7.4)

Feil/problem:

Den elektriske motoren er vanskelig å starte, eller Effekten avtar

Mulig årsak:

- Gresset som klippes, er for høyt eller for fuktig
- Klipperhuset er tilstoppet

Tiltak:

- Tilpass klippehøyden og -hastigheten etter klippeforholdene (⇒ 7.4)
- Rengjør klipperhuset (trekk ut støpslet før rengjøring) (⇒ 11.2)

Feil/problem:

Utkastkanalen er tilstoppet

Mulig årsak:

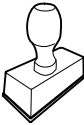
- Klippekniven er slitt
- Klipping av for høyt eller for fuktig gress

Tiltak:

- Skift ut klippekniven (⇒ 11.7)
- Tilpass klippehøyden og -hastigheten etter klippeforholdene (⇒ 7.4)

19. Serviceplan

19.1 Bekreftelse av overleveringen


Modell:	_____
Serienummer:	<input type="text"/> <input type="text"/> <input type="text"/> <input type="text"/> <input type="text"/> <input type="text"/> <input type="text"/> <input type="text"/>
Dato:	<input type="text"/> <input type="text"/> <input type="text"/> <input type="text"/> <input type="text"/> <input type="text"/>
	
Neste service	
Dato:	<input type="text"/> <input type="text"/> <input type="text"/> <input type="text"/> <input type="text"/> <input type="text"/>

19.2 Servicebekreftelse



Gi denne bruksanvisningen til STIHL fagforhandleren når du får utført vedlikeholdsarbeider. Forhandleren bekrefter det utførte arbeidet ved å fylle ut de angitte feltene.

 Service utført


 Dato for neste service

Hej!

Tack för att du valt en produkt från STIHL. Vi utvecklar och tillverkar produkter av mycket hög kvalitet som uppfyller våra kunders behov. Därför är våra produkter mycket säkra även när de belastas mycket.

STIHL ger även en förstklassig service. Hos våra återförsäljare får du kompetent rådgivning och instruktioner samt tekniska råd.

Vi uppskattar ditt förtroende för oss och önskar dig lycka till med din STIHL produkt.



Dr Nikolas Stihl

VIKTIGT! LÄS BRUKSANVISNINGEN INNAN DU ANVÄNDER PRODUKTEN OCH SPARA DEN.

1. Innehållsförteckning

Information om denna bruksanvisning	76	Säkerhetsanordningar	84
Allmänt	76	Skyddsanordningar	84
Beskrivning av bruksanvisningen	76	Tvåhandsmanövrering	84
Landsberoende varianter	76	Elmotorbroms	84
Maskinbeskrivning	76	Ta maskinen i bruk	84
För din säkerhet	77	Ansluta maskinen till elnätet	84
Allmänt	77	Dragavlastning	85
Varning – fara pga elektrisk ström	78	Starta gräsklippare	85
Klädsel och utrustning	78	Stänga av gräsklippare	85
Transportera maskinen	78	Tömma gräsuppsamlare	85
Före arbetet	79	Underhåll	85
Under arbetet	79	Allmänt	85
Underhåll, rengöring, reparation och förvaring	81	Göra rent maskinen	85
Förvaring under längre driftsuppehåll	81	Elmotor och hjul	85
Sluthantering	82	Överdel styrhandtag	85
Symbolbeskrivning	82	Underhåll av kniv	86
Göra maskinen klar för användning	82	Demontera och montera kniv	86
Sätta ihop gräsklippare	82	Slipa kniv	86
Reglage	82	Förvaring (vinteruppehåll)	86
Gräsuppsamlare	82	Transport	87
Mängdindikator	83	Transport	87
Styrhandtag	83	Minimera slitage och förhindra skador	87
Central klipphöjdställning	83	Miljöskydd	88
Arbetsanvisningar	83	Vanliga reservdelar	88
Allmänt	83	Tillverkarens konformitetsdeklaration	88
Rätt belastning elmotor	83	EU-konformitetsdeklaration gräsklippare STIHL RME 235.0	88
Om kniven blockerar	84	Tekniska data	88
Termiskt överbelastningsskydd elmotor	84	REACH	89
Användarens arbetsområde	84	Felsökning	89
		Serviceschema	90
		Överlämningsbekräftelse	90
		Servicebekräftelse	90

2. Information om denna bruksanvisning

2.1 Allmänt

Denna bruksanvisning är en **original bruksanvisning** från tillverkaren enligt EG-riktlinjen 2006/42/EC.

STIHL arbetar ständigt med vidareutveckling av sitt produktutbud. Vi förbehåller oss därför rätten till ändringar av design, teknik och utrustning. Inga anspråk grundade på uppgifter och bilder i denna bruksanvisning kan därför ställas.

I denna bruksanvisning beskrivs ev. modeller som inte finns tillgängliga i alla länder.

Denna bruksanvisning är upphovsrättsskyddad. Alla rättigheter förbehållna, särskilt då rätten till kopiering, översättning och bearbetning med elektroniska system.

2.2 Beskrivning av bruksanvisningen

Bilder och text beskriver vissa arbetsmoment.

Samtliga bildsymboler, som finns på maskinen, förklaras i denna bruksanvisning.

Blickriktning:

Blickriktning vid användning ”vänster” och ”höger” i bruksanvisningen:

Användaren står bakom maskinen och ser framåt i färdriktningen.

Kapitelhänvisning:

En pil hänvisar till motsvarande kapitel och underkapitel med ytterligare förklaringar. Följande exempel visar en hänvisning till ett kapitel: (⇒ 3.)

Märkning av textavsnitt:

De beskrivna anvisningarna kan vara markerade som i följande exempel.

Arbetsmoment som kräver att användaren ingriper:

- Lossa skruven (1) med en skruvmejsel, aktivera spaken (2) ...

Allmänna uppräkringar:

- Användning av produkten för sport- eller tävlingsändamål

Text med extra betydelse:

Textavsnitt med extra betydelse markeras med en av följande symboler, för att ytterligare framhäva dem i bruksanvisningen.



Fara!

Risk för olycksfall och allvarliga personskador. Ett visst förhållningssätt är nödvändigt eller bör undvikas.



Varning!

Risk för personskador. Ett visst förhållningssätt förhindrar möjliga eller sannolika personskador.



Var försiktig!

Lätta personskador resp. saksador kan förhindras med ett visst förhållningssätt.



Anvisning

Information om hur du bättre använder maskinen och undviker möjlig felhantering.

Text med bildreferens:

Bilder som förklarar hur maskinen används finns alldeles i början av bruksanvisningen.

Kamerasymbolen kopplar samman bilderna på bildsidorna med motsvarande textavsnitt i bruksanvisningen.



2.3 Landsberoende varianter

STIHL levererar maskinerna med olika kontakter och strömbrytare, beroende på vilket land maskinen ska levereras till.

På bilderna visas maskiner med eurokontakter. Nätslutningen av maskiner med andra kontakter sker på liknande sätt.

3. Maskinbeskrivning



- 1 Överdel styrhandtag
- 2 Död mans grepp
- 3 Vred
- 4 Utkastlucka
- 5 Transporhandtag
- 6 Motorkåpa
- 7 Framhjul
- 8 Kåpa
- 9 Bakhjul

- 10 Underdel styrhandtag
- 11 Kabelclips
- 12 Gräsupsamlare
- 13 Kabelstyrning
- 14 Mängdindikator
- 15 Startknapp
- 16 Nätanslutning
- 17 Dragavlastning
- 18 Höjdinställningsspak

4. För din säkerhet

4.1 Allmänt



Föreskrifterna för undvikande av olycksfall måste ovillkorligen följas under arbetet med maskinen.



Hela bruksanvisningen måste läsas noggrant före den första idrifttagningen. Förvara bruksanvisningen på ett säkert ställe för senare referens.

Dessa säkerhetsåtgärder är viktiga för din säkerhet. Anvisningarna kan dock inte täcka alla situationer. Använd maskinen med sunt förnuft och ansvarsfullt. Tänk på att användaren är ansvarig för skador som drabbar andra personer och deras egendom.

Bekanta dig med reglagen och hur maskinen används.

Maskinen får endast användas av personer som har läst bruksanvisningen och som känner till hur maskinen ska hanteras. Användaren måste själv se till att få praktiska instruktioner av en fackkunnig person före den första idrifttagningen. Användaren måste av

försäljaren eller en annan fackkunnig person få instruktioner om hur maskinen används på ett säkert sätt.

Instruktionerna som användaren får bör innehålla information om att man måste vara ytterst försiktig och koncentrerad när man använder maskinen.

Det finns alltid kvar en restrisk även om du hanterar maskinen enligt föreskrift.



Risk för kvävning!

Risk för kvävning om barn leker med förpackningsmaterialet. Håll förpackningsmaterialet borta från barn.

Lämna resp. låna endast ut maskinen inklusive alla tillsatsredskap till personer som redan känner till denna modell och hur den ska hanteras. Bruksanvisningen är en del av maskinen och måste alltid skickas med.

Använd endast maskinen om du är utvilad och i god fysisk och psykisk kondition. Om du har problem med hälsan bör du fråga din läkare om du får använda maskinen. Använd inte maskinen om du har druckit alkohol, tagit droger eller medicin som påverkar reaktionsförmågan.

Se till att användaren inte har nedsatt fysisk, sensorisk eller mental förmåga att använda maskinen. Om användaren har nedsatt fysisk, sensorisk eller mental förmåga får användaren endast använda den under uppsikt eller efter instruktioner av en ansvarig person.

Se till att användaren är myndig eller utbildas i ett yrke under uppsikt enligt nationella regler.

Maskinen är konstruerad för privat bruk.

Varning – risk för olycksfall!

Maskinen är endast avsedd för gräsklippning. Annan användning är inte tillåten och kan vara farlig eller orsaka skador på maskinen.

På grund av risken för att användaren ska skadas får maskinen inte användas till följande arbeten (ofullständig uppräknig):

- För trimning av buskar, häckar och snår
- För klippning av klätterväxter
- För skötsel av gräs på takaltaner och i balkonglädor
- För hackning och finfördelning av träd- och häckmaterial
- För rengöring av gångstigar (suga upp, blåsa bort)
- För utjämning av jordhögar, t.ex. mullvadshögar
- För transport av klippmaterial, utom i den därför avsedda gräsupsamlaren

Av säkerhetsskäl är varje förändring på maskinen, utom montering av tillbehör som har godkänts av STIHL, otillåten och medför att garantianspråket går förlorat. Information om godkänt tillbehör får du hos din STIHL servande fackhandel.

Manipulering av maskinen, som förändrar effekten eller varvtalet på förbränningsmotorn resp. elmotorn, är absolut förbjuden.

Föremål, djur eller personer, särskilt barn, får inte transporteras med maskinen.

Var extra försiktig vid användning i offentliga anläggningar, parker, idrottsanläggningar, längs vägar och inom jord- och skogsbruk.



Varning! Hälsorisk pga vibration! För hög belastning pga vibration kan medföra cirkulationsrubbingar eller nervskador, särskilt hos människor med hjärtbesvär. Ta kontakt med en läkare om det uppträder symtom som kan ha orsakats av vibrationsbelastning. Sådana symtom, som vanligtvis uppträder i fingrarna, händerna eller handlederna, är t.ex. (ofullständig uppräknig):

- känselbortfall.
- smärtor.
- muskelsvaghet.
- missfärgning av huden.
- obehagliga krypningar.

Håll fast styrhandtaget hårt men avslappnat med båda händerna på avsedda ställen under drift.

Planera arbetstiden så att du undviker hög belastning under en längre tidsperiod.

4.2 Varning – fara pga elektrisk ström



Varning! Risk för elektrisk stöt!

Speciellt viktiga för den elektriska säkerheten är elkabel, elkontakt, strömbrytare och anslutningskabel. Skadade kablar, anslutningar och kontakter eller anslutningskablar som inte motsvarar föreskrifterna får inte användas, för att undvika risken för elektriska stötar.

Kontrollera därför anslutningskabeln regelbundet beträffande skador eller åldrande (skörhet).



Maskinen får endast tas i bruk med avlindad elkabel.

Vid användning av en kabeltrumma måste den alltid lindas av helt innan den används.

Använd aldrig en skadad förlängningskabel. Byt ut skadade kablar mot nya och reparera inte förlängningskablarna.

Använd inte maskinen med skadade eller utslitna kablar. Kontrollera särskilt nätanslutningskabeln beträffande skador och åldrande.

Underhålls- och reparationsarbeten på nätkablar får bara utföras av särskilt utbildad fackpersonal.

Risk för elektrisk stöt!

Anslut inte en skadad kabel och ta inte i en skadad kabel, innan den kopplats från elnätet.

Risk för elektrisk stöt!

Skadade kablar, anslutningar och kontakter eller anslutningskablar, som inte motsvarar föreskrifterna, får inte användas.

Knivenheterna (knivarna) får inte vidröras förrän maskinen kopplats från elnätet.

Se alltid till att elkablarna som används är tillräckligt säkrade.



Även om elmotorn är skyddad mot stänkvatten får du inte arbeta med maskinen i regn eller våt omgivning.

Använd endast fuktisolerade förlängningskablar avsedda för utomhusbruk som är godkända för användning av maskinen (⇒ 10.1).

Håll kabeln borta från kniven under klippningen.

Dra ut anslutningskabelns kontakt ur uttaget, dra inte i anslutningskabeln.

Se till att maskinen inte skadas pga strömvariationer när den ansluts till ett strömaggreat.

Anslut maskinen endast till en strömkälla som har en säkerhetsbrytare med en utlösningström på högst 30 mA. En elektriker kan ge ytterligare information.

Av säkerhetstekniska skäl måste elkabeln alltid vara rätt monterad på styrhandtaget.

4.3 Klädsel och utrustning



Använd alltid stadiga skor med räfflad sula under arbetet. Arbeta aldrig barfota eller t.ex. med sandaler.



Bär alltid kraftiga skyddshandskar och sätt upp långt hår (med schallett, mössa osv.) vid underhåll och rengöringsarbeten samt vid transport av maskinen.



Använd lämpliga skyddsglasögon när kniven slipas.

Maskinen får endast tas i bruk med långbyxor och åtsittande kläder.

Bär aldrig löst sittande kläder som kan fastna i rörliga delar (manöverspak) – inte heller smycken, slips eller schal.

4.4 Transportera maskinen

Använd alltid skyddshandskar, för att förhindra personskador pga skarpa kanter eller mycket varma maskindelar.

Före transport ska maskinen stängas av, elkabeln dras ut och kniven ska stå stilla.

Transportera maskinen endast när elmotorn är kall.

Beakta maskinens vikt och använd lämpliga lasthjälpmedel (lastramper, lyftanordningar) vid behov.

Säkra maskinen och medtransporterade maskindelar (t.ex. gräsupsamlare) på lastytan med lämpliga fästeanordningar av rätt dimension (band, rep osv.).

Undvik kontakt med kniven när du lyfter eller bär maskinen.

Beakta uppgifterna i kapitlet "Transport". Där beskrivs hur maskinen ska lyftas resp. bindas fast. (⇒ 12.1)

Beakta regionala lagliga föreskrifter vid transport av maskinen, särskilt när det gäller lastens säkerhet och transport av föremål på lastflak.

4.5 Före arbetet

Se till att endast personer som känner till bruksanvisningen använder maskinen.

Beakta kommunala föreskrifter för driftstider för trädgårdsredskap med förbränningsmotor resp. elmotor.

Kontrollera området där maskinen ska användas noggrant och ta bort alla stenar, stockar, ståltrådar, ben och andra främmande föremål som kan kastas upp av maskinen. Hinder (t.ex. stubbar, rötter) kan vara svåra att upptäcka i högt gräs.

Markera därför alla i gräsmattan dolda objekt (hinder), som inte kan tas bort, innan maskinen används.

Alla defekta samt utslitna och skadade delar ska bytas innan maskinen används. Riskhänvisningar och varningsanvisningar på maskinen som blivit oläsliga eller skadade måste bytas ut. Din STIHL servande fackhandel har nya etiketter och alla nödvändiga reservdelar i lager.

Maskinen får endast användas i säkert bruksskick. Kontrollera före varje idrifttagning:

- Att maskinen har monterats enligt föreskrift.
- Att klippverktyget och hela knivenheten (kniv, fästen, klippaggregat) är i felfritt skick. Kontrollera särskilt beträffande fastsättning, skador (hack eller sprickor) samt slitage.
- Att säkerhetsanordningarna (t.ex. utkastlucka, kåpa, styrhandtag, död mans grepp) är i felfritt skick och fungerar ordentligt.
- Att gräsupsamlaren är oskadd och komplett monterad. En skadad gräsupsamlare får inte användas.
- Att elmotorbromsen fungerar.

Genomför alla nödvändiga arbeten eller kontakta en servande fackhandel. STIHL rekommenderar en STIHL servande fackhandel.

Beakta uppgifterna i kapitlet "Fara pga elektrisk ström" (⇒ 4.2).

Starta inte elmotorn om kniven inte är monterad enligt föreskrift. Risk för överhettning av elmotorn!

4.6 Under arbetet



Arbeta aldrig när det finns djur eller personer, särskilt barn, i det farliga området.

De inkopplings- och säkerhetsanordningar som installerats på maskinen får inte tas bort eller kringgås. Särskilt död mans greppet får inte fixeras på styrhandtaget (t.ex. genom att binda fast det).

Styrhandtaget måste alltid vara monterat enligt föreskrift och får inte förändras. Maskinen får aldrig tas i bruk med nedfällt styrhandtag.

Fäst aldrig föremål på styrhandtaget (t.ex. arbetskläder). Förlängningskablar får inte lindas runt styrhandtaget.

Arbeta endast i dagsljus eller bra artificiell belysning.

Arbeta inte vid en omgivningstemperatur under +5 °C.

Använd inte maskinen vid regn, åskväder och absolut inte vid risk för blixtnedslag.

På våt mark ökar risken för olycksfall (användaren halkar lättare).

Var särskilt försiktig pga halkrisken. Undvik om möjligt att använda maskinen på våt mark.

Låt inte maskinen stå i regnet.

Starta maskinen:

Starta maskinen försiktigt, i enlighet med anvisningarna i kapitlet "Ta maskinen i bruk". (⇒ 10.)

Se till att fötterna befinner sig på ett säkert avstånd från klippverktyget.

Maskinen måste stå på en plan yta när den ska startas.

Maskinen får inte tippas före start eller under starten.

Starta inte elmotorn, om utkastkanalen inte är täckt med utkastluckan resp. gräsupsamlaren.

Undvik att starta och stänga av maskinen flera gånger under kort tid, och att "leka" med startknappen. Risk för överhettning av elmotorn!

Arbete i sluttningar:

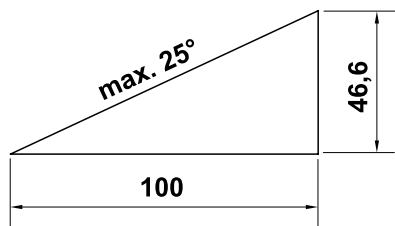
Arbeta alltid på tvären och inte på längden i en sluttning.

Om användaren förlorar kontrollen vid klippning på längden kan han få den gående maskinen över sig.

Var särskilt försiktig när du ändrar riktning i en sluttning.

Se alltid till att du står stadigt i sluttningar och undvik att använda maskinen i alltför branta sluttningar.

Av säkerhetsskäl får maskinen inte användas i sluttningar med en lutning över 25° (46,6 %). **Risk för personskador!** 25° stigning motsvarar en vertikal lutning på 46,6 cm vid 100 cm horisontal längd.



Arbetet:



Varning – risk för personskador!

Håll händer och fötter borta från roterande delar. Ta aldrig på den roterande kniven. Håll dig alltid borta

från utkastöppningen. Säkerhetsavståndet som skapas av styrhandtaget måste alltid följas.



Försök inte att kontrollera kniven när maskinen är i bruk.

Öppna inte utkastluckan

och/eller ta inte bort gräsupsamlaren förrän kniven står stilla. En roterande kniv kan orsaka personskador.

Arbeta bara med gånghastighet – spring inte när du arbetar med maskinen. Om maskinen körs med för hög fart ökar risken för personskador pga snubbling, halkning osv.

Var särskilt försiktig när du vänder maskinen eller drar den mot dig.

Risk för att snubbla!

Lyft eller bär aldrig en maskin med elmotorn gående eller med ansluten elkabel.

Kör alltid runt föremål (vattenspridare, stolpar, vattenventiler, fundament, elektriska ledningar osv.) som finns dolda i gräsmattan. Kör aldrig över sådana föremål.

Var särskilt uppmärksam när maskinen används i närheten av sluttningar, stup, diken och vallar. Se till att hålla ett tillräckligt avstånd till sådana farliga ställen.

Om klippverktyget eller maskinen stöter emot ett hinder resp. ett främmande föremål måste elmotorn stängas av, elkabeln kopplas bort och en fackmannamässig undersökning genomförs.



Tänk på att klippverktyget fortsätter att gå i några sekunder tills det stannar.

STOP Stäng av elmotorn

- när maskinen ska tippas vid transport över andra ytor än gräs
- när du skjuter maskinen till eller från ytan som ska klippas
- innan du tar bort gräsupsamlaren
- innan du ställer in klipphöjden.



Stäng av elmotorn, dra ut elkontakten och se till att klippverktyget står helt stilla:

- Innan du tar bort blockeringar eller åtgärdar igentäppningar i utkastkanalen.
- När klippverktyget har träffat ett främmande föremål. Klippverktyget måste kontrolleras beträffande skador. Maskinen får inte tas i bruk med skadad eller böjd knivaxel eller elmotoraxel. **Risk för personskador pga defekta delar!**
- Innan du kontrollerar, rengör eller genomför arbeten på maskinen (t.ex. ställa in klipp höjd, fälla ned/ställa in styrhandtag).
- Innan du lämnar maskinen eller när maskinen lämnas utan tillsyn.
- Innan du lyfter eller bär maskinen.
- Före transport.
- Om du har kört på ett främmande föremål eller om maskinen börjar vibrera kraftigt. Kontrollera i så fall maskinen, särskilt knivenheten (kniv, knivaxel, knivfäste), beträffande skador och genomför nödvändiga reparationer innan du startar och arbetar med maskinen på nytt.



Risk för personskador!

Kraftig vibration är oftast en indikation på en störning. Maskinen får absolut inte tas i bruk med skadad eller böjd knivaxel, eller med en skadad eller böjd kniv. Låt en fackman genomföra nödvändiga reparationer – STIHL rekommenderar en STIHL servande fackhandel – om du saknar de rätta kunskaperna.

Andra apparater, som är inkopplade på samma strömkrets, kan störas under ogynnsamma förhållanden pga de spänningsvariationer som maskinen orsakar vid starten. Om detta inträffar måste lämpliga åtgärder vidtagas (t.ex. anslutning till en annan strömkrets än den som den störda apparaten är ansluten till, driva maskinen via en strömkrets med lägre impedans).

4.7 Underhåll, rengöring, reparation och förvaring



Stäng av maskinen och dra ut elkontakten före allt arbete på maskinen, före inställning eller rengöring av maskinen eller före

kontroll av om anslutningskabeln har snott sig eller är skadad.

Låt maskinen svalna helt före förvaring i ett slutet utrymme, före underhåll och före rengöring.

Rengöring:

Hela maskinen måste rengöras noggrant efter arbetet. (⇒ 11.2)

Lossa gräsrester som sitter fast med en träpinne. Rengör gräsklipparens undersida med en borste och vatten.

Använd inte högtryckstvätt och rengör inte maskinen under rinnande vatten (t.ex. med en trädgårdsslang).

Använd inte aggressivt rengöringsmedel. De kan skada plast och metall, och kan påverka användningen av din STIHL maskin negativt.

Håll området kring kylöppningarna mellan elmotorns kåpa och huset fritt från t.ex. gräs, halm, mossa, löv eller fett, för att förhindra brandrisk.

Underhåll:

Genomför endast underhåll som beskrivs i denna bruksanvisning. Alla andra arbeten ska utföras av en servande fackhandel. Kontakta **alltid** en servande fackhandel om du saknar de rätta kunskaperna eller hjälpmedlen. STIHL rekommenderar att underhåll och reparationer endast utförs av en STIHL servande fackhandel.

En STIHL servande fackhandel får regelbundna erbjudanden om vidareutbildning och innehar teknisk information.

Använd endast verktyg, tillbehör eller tillsatsredskap, som har godkänts av STIHL för denna maskin eller tekniskt likvärdiga delar. I annat fall föreligger risk för olyckor med personskador eller skador på maskinen som följd. Kontakta en servande fackhandel vid frågor.

Egenskaperna på original STIHL verktyg, tillbehör och reservdelar är optimalt anpassade till maskinen och användarens behov. Original STIHL reservdelar identifieras på STIHL reservdelsnumret, texten STIHL och i vissa fall STIHL reservdelsmarkeringen. På små delar kan beteckningen även stå ensam.

Se till att varnings- och instruktionsetiketterna alltid är rena och läsbara. Skadade eller förlorade etiketter ska bytas mot nya originalsyltar från din STIHL servande fackhandel. Se till att den nya delen har samma etiketter när en komponent bytes ut mot en ny del.

Arbeten på knivenheten får endast genomföras med tjocka arbetshandskar och kräver yttersta försiktighet.

Kontrollera att alla muttrar, bultar och skruvar, särskilt knivskruven, är hårt åtdragna så att maskinen är i säkert bruksskick.

Kontrollera hela maskinen och gräsuppsamlaren regelbundet beträffande slitage och skador, särskilt innan förvaring (t.ex. före vinteruppehåll). Utslitna eller skadade delar måste bytas ut omedelbart av säkerhetsskäl, så att maskinen alltid är i säkert bruksskick.

Om komponenter eller skyddsanordningar har tagits bort för underhåll måste de sättas tillbaka så snart som möjligt och i enlighet med föreskrifterna.

Kontrollera kniven regelbundet beträffande fastsättning, skador samt slitage.

4.8 Förvaring under längre driftsuppehåll

Förvara den kalla maskinen i ett torrt, slutet utrymme.

Se till att maskinen skyddas mot obehörig användning (t.ex. av barn).

Rengör maskinen noggrant innan förvaring (t.ex. vinteruppehåll).

Förvara maskinen i säkert bruksskick.

4.9 Sluthantering

Se till att den uttjänta maskinen sluthanteras på ett fackmannamässigt sätt. Gör maskinen obrukbar innan sluthantering. Ta särskilt bort elkabeln resp. elkabeln till elmotorn, för att förebygga olyckor.

Risk för personskador pga klippverktyget!

Lämna även en uttjänt maskin aldrig utan tillsyn. Se till att maskinen och klippverktyget förvaras utom räckhåll för barn.

5. Symbolbeskrivning



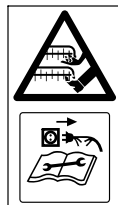
Varning!

Läs och beakta bruksanvisningen och säkerhetsanvisningarna före idrifttagning.



Risk för personskador!

Håll andra personer borta från det farliga området!



Risk för personskador!

Håll händer och fötter borta från knivarna. Var försiktig, kniven är vass. Kniven fortsätter att rotera några sekunder efter fränkoppling (motor-/ knivbroms). Stäng av maskinen och dra ut elkontakten före arbete med klippverktyg, före underhåll och rengöring, före kontroll av om anslutningskabeln har snott sig eller är skadad, och innan du lämnar maskinen.



Risk för elektrisk stöt! Håll anslutningskabeln borta från klippverktyget.



Arbeta inte i regn och våt miljö.



Starta elmotorn.

6. Göra maskinen klar för användning



Risk för personskador

Beakta säkerhetsanvisningarna i kapitlet "För din säkerhet". (⇒ 4.)

- Sätt ihop maskinen på ett vågrätt, jämnt och fast underlag. Kontrollera leveransens omfattning före monteringen.



- Sätt ihop gräsuppsamlaren och montera styrhandtagets underdelar (D) – beakta åtdragningsmomentet.



- Placera styrhandtagets överdel på önskad höjd på styrhandtagets underdelar och håll den så. (⇒ 7.3)

- Montera styrhandtagets överdel och lägg in elkabeln i kabelstyrningen (J) som bilden visar samt fäst kabelclipset (K) på styrhandtaget.



- Fäst gräsuppsamlaren. (⇒ 7.1)

7. Reglage

7.1 Gräsuppsamlare

Fästa:

- Öppna utkastluckan (1) och håll den så.
- Fäst gräsuppsamlaren (2) med utkastluckans baksida.
- Stäng utkastluckan (1).



Lossa:

- Öppna utkastluckan (1) och håll den så.
- Lyft gräsuppsamlaren (2) och ta bort den bakåt.
- Stäng utkastluckan (1).

6.1 Sätta ihop gräsklippare

7.2 Mängdindikator



Luftströmmen från kniven lyfter mängdindikatorn (1). När gräsuppsamlaren är full stoppas luftströmmen. Om luftströmmen är för liten faller mängdindikatorn (1) tillbaka till viloläget. Detta är en anvisning om att gräsuppsamlaren bör tömmas.

Mängdindikatorn fungerar bäst vid optimal luftström. Yttre påverkan som vått, tätt eller högt gräs, låga klipplägen, smuts eller liknande kan påverka luftströmmen och mängdindikatorns funktion negativt.

A Gräsuppsamlaren fylls

B Full gräsuppsamlare:

- Töm den fulla gräsuppsamlaren (⇒ 10.5).

7.3 Styrhandtag



Risk för klämskador!

Genom att lossa vreden kan styrhandtagets överdel fällas ned. Håll därför alltid högst upp på styrhandtagets överdel (2) med en hand, medan du lossar vreden.

1 Fälla ned styrhandtagets överdel:

Transportläge – för platssparande transport och förvaring:

- Skruva loss vreden (1), tills de roterar fritt, och fäll ned styrhandtagets överdel (2) framåt. Se till att elkabeln inte skadas.

Arbetsposition – för att skjuta maskinen:

- Fäll upp styrhandtagets överdel (2) bakåt och håll den med en hand.
- Skruva åt vreden (1).

2 Höjdinställning:

Styrhandtagets överdel kan monteras i 2 lägen:

- Skruva loss vreden (1) och ta bort skruvarna (3).
- Placera styrhandtagets överdel (2) på önskad höjd:
Hål **A** – hög position
Hål **B** – låg position
- För skruvarna (3) genom hålen på styrhandtagets underdel och styrhandtagets överdel, skruva fast vreden (1).

7.4 Central klipphöjdinställning



Fem olika klipphöjder kan ställas in.

Steg 1:

minsta klipphöjden (25 mm)

Steg 5:

största klipphöjden (65 mm)

Ställa in klipphöjd:

- Tryck spärrspaken (1) utåt och håll den så.
- Ställ in önskad klipphöjd genom att flytta upp eller ned maskinen.
- Släpp spärrspaken (1) och låt den snäppa in.

8. Arbetsanvisningar

8.1 Allmänt



Risk för personskador!

Red ut ev. intrasslade kablar på en gång.

Se till att anslutningskabeln alltid ligger bakom dig under klippningen. Anslutningskablarna kan av misstag skäras av under klippningen och kan medföra en snubbelrisk. De utgör därför en hög olycksrisk. Se därför till att anslutningskabeln alltid ligger synlig bakom dig i området som redan är klippt.

En vacker och tät gräsmatta får man genom att klippa ofta och hålla gräset kort.

Klipp inte gräset för kort i varmt och torrt klimat, eftersom gräsmattan annars bränns sönder av solen och ser mindre tilltalande ut!

En vass kniv ger en bättre klippbild än en slö. Därför bör den slipas regelbundet (STIHL servande fackhandel).

8.2 Rätt belastning elmotor

Starta inte gräsklipparen i högt gräs resp. på den lägsta klipphöjden.

Gräsklipparen får inte belastas så att elmotorvarvtalet sjunker väsentligt.

Om varvtalet sjunker: Välj en högre klipphöjdinställning och/eller reducera gånghastigheten.

8.3 Om kniven blockerar

Stäng av elmotorn omedelbart och dra ut elkontakten. Åtgärda sedan orsaken till störningen.

8.4 Termiskt överbelastningskydd elmotor

Om elmotorn överbelastas under arbetet stänger det inbyggda, termiska överbelastningskyddet automatiskt av elmotorn.

Orsaker till en överbelastning:

- Klippning i för högt gräs eller för lågt inställd klipphöjd
- För hög gånghastighet
- Otillräcklig rengöring av kylkanalen (insugsöppning)
- Kniven är slö eller utsliten
- Ej lämplig eller för lång anslutningskabel – spänningsfall (⇒ 10.1)

Omstart

Efter en avsvältningsperiod på upp till 20 minuter (beroende på omgivningstemperaturen) kan maskinen tas i bruk igen som vanligt (⇒ 10.).

8.5 Användarens arbetsområde

- Av säkerhetsskäl måste användaren uppehålla sig bakom styrhandtaget när elmotorn är igång. Säkerhetsavståndet som skapas av styrhandtaget måste alltid följas.



- Gräsklipparen får endast hanteras av en enda person. Andra personer måste hålla sig borta från det farliga området. (⇒ 4.)

9. Säkerhetsanordningar

Maskinen är utrustad med flera säkerhetsanordningar för en säker hantering och till skydd för obehörig användning.



Risk för personskador!

Maskinen får inte tas i bruk om någon av säkerhetsanordningarna är defekt. Kontakta en servande fackhandel – STIHL rekommenderar en STIHL servande fackhandel.

9.1 Skyddsanordningar

Gräsklipparen är utrustad med skyddsanordningar som förhindrar direkt kontakt med kniven och utkastat klippmaterial.

Hit räknas kåpan, utkastluckan, gräsuppsamlaren och det felfritt monterade styrhandtaget.

9.2 Tvåhandsmanövrering

Elmotorn kan endast startas om startknappen trycks med den högra handen och hålls så samt om död mans greppet dras mot styrhandtaget med den vänstra handen.

9.3 Elmotorbroms

När död mans greppet släpps stannar kniven efter mindre än 3 sekunder.

En integrerad elmotorbroms förkortar avstanningstiden till knivstillestånd.



När elmotorn har startats roterar kniven och ett vinande ljud hörs. Efterlöptiden motsvarar tiden som det vinande ljudet hörs efter att elmotorn har kopplats från och kan mätas med ett stoppur.

10. Ta maskinen i bruk

10.1 Ansluta maskinen till elnätet



Risk för elektrisk stöt!

Beakta säkerhetsanvisningarna i kapitlet "För din säkerhet" (⇒ 4.2).

Rulla ut hela anslutningskabeln, om en kabeltrumma används. I annat fall kan effektförlust och överhettning uppstå pga elektriskt motstånd.

Som anslutningskablar får endast kablar användas, som inte är lättare än gummislangkablar **H07 RN-F DIN/VDE 0282**.

Minsta area:

upp till 25 meters längd: 3 x 1,5 mm²
upp till 50 meters längd: 3 x 2,5 mm²

Anslutningskablabarnas kontakter måste vara av gummi eller gummiöverdragna och motsvara normen **DIN/VDE 0620**.

Nätspänningen och nätfrekvensen måste stämma överens med uppgifterna på typskylten resp. uppgifterna i kapitlet "Tekniska data" (⇒ 17.).

Nätanslutningskabeln måste vara tillräckligt säkrad (⇒ 17.).

Denna maskin är avsedd för anslutning till en huvudledning med en systemimpedans Z_{max} på anslutningspunkten (servisledning) på maximalt **0,49 Ohm** (vid 50 Hz).

Användaren måste se till att maskinen endast anslutes till en huvudledning som uppfyller dessa krav. Vid behov kan den lokala elleverantören svara på frågor om systemimpedansen.

10.2 Dragavlastning




Dragavlastningen förhindrar en ofrivillig utdragning av anslutningskabeln under arbetet och förhindrar därmed även en ev. skada på maskinens nätanslutning.

Därför måste anslutningskabeln placeras i dragavlastningen.

- Gör en ögla på anslutningskabeln (1) och för in den i öppningen (2).
- Träd sedan ögla över haken (3) och dra fast den.

10.3 Starta gräsklippare



 Starta inte elmotorn i högt gräs resp. på den lägsta klipphöjden, eftersom detta medför att motorn blir mer svårstartad.

- Tryck på startknappen (1) och håll den så. Dra död mans greppet (2) mot styrhandtaget och håll det så.
- Startknappen (1) kan släppas igen när död mans greppet (2) har aktiverats.

10.4 Stänga av gräsklippare



- Släpp död mans greppet (1). Elmotorn och kniven stannar efter en kort avstanningsstid.

10.5 Tömma gräsupsamlare



Risk för personskador!

Stäng av elmotorn av säkerhetsskäl innan gräsupsamlaren tas bort.

- Lossa gräsupsamlaren. (⇒ 7.1)
- Öppna gräsupsamlaren vid låsspärren (1). Fäll upp gräsupsamlarens överdel (2) och håll den så. Tippa gräsupsamlaren bakåt och töm klippmaterialet.
- Stäng gräsupsamlaren.
- Fäst gräsupsamlaren. (⇒ 7.1)

11. Underhåll

11.1 Allmänt



Risk för personskador!

Beakta säkerhetsanvisningarna i kapitlet "För din säkerhet" (⇒ 4.).

Årligt underhåll genom servande fackhandel:

Gräsklipparen bör kontrolleras av en servande fackhandel en gång om året. STIHL rekommenderar en STIHL servande fackhandel.

11.2 Göra rent maskinen



Underhållsintervall: Efter varje användning

- Placera gräsklipparen på ett fast, vågrätt och jämnt underlag.
- Lossa gräsupsamlaren. (⇒ 7.1)
- Tippa gräsklipparen (1) åt sidan för rengöring av maskinens undersida.
- Rengör maskinen endast med vatten och en borste eller en trasa. Lossa gräsrester, som sitter fast, med en träpinne. Använd specialrengöring (t.ex. STIHL specialrengöring) vid behov.
- Rikta aldrig en vattenstråle eller högtrycksvätt mot strömbrytare, motor delar, tätningar och lagerställen.

11.3 Elmotor och hjul

Elmotorn är underhållsfri.

Hjulens lager är underhållsfria.

11.4 Överdel styrhandtag

Underhållsintervall: Före varje användning

Kontrollera styrhandtagets överdel beträffande skador – den har ett isolerande skikt. Om det skadas får gräsklipparen inte tas i bruk och styrhandtagets överdel måste bytas ut.

11.5 Underhåll av kniv



Underhållsintervall: Före varje användning



Risk för personskador!

Kontrollera kniven beträffande skador före varje användning. Kniven ska bytas ut om hack eller sprickor är synliga eller när slitagegränserna har uppnåtts resp. underskrids.

- Tippa gräsklipparen åt sidan. (⇒ 11.2)
- Rengör kniven (1) och kontrollera om den är skadad (hack eller sprickor) eller sliten, och byt vid behov.
- **Kontrollera knivtjockleken** **A** på olika ställen med ett skjutmått. Kontrollera särskilt vid knivens vingar. **A** > 1,6 mm
- Lägg linjalen (2) mot knivens främre kant och mät **slipningen** **B**. **B** < 5 mm

11.6 Demontera och montera kniv



Risk för personskador!

Använd lämpliga skyddshandskar vid allt arbete med kniven.

- Tippa gräsklipparen åt sidan för arbeten på kniven. (⇒ 11.2)

1 Demontering:

- Håll kniven (1) med en hand.
- Skruva loss knivskruven (2), och ta bort den tillsammans med medbringaren (3) och kniven (1).

2 Montering:



Risk för personskador!

Kontrollera knivens skick (skador, slitage) före monteringen, byt vid behov. (⇒ 11.5)
Montera endast kniven som bilden visar med de uppböjda vingarna uppåt (mot maskinen). Det föreskrivna åtdragningsmomentet för knivskruven måste följas exakt, eftersom klippverkygets säkra fastsättning är beroende av detta. Säkra dessutom knivskruven med **Loctite 243**.

Byt ut knivskruven och medbringaren vid varje knivbyte.

- Rengör knivens anliggningsyta, medbringaren och knivbussningen.
- Placera kniven (1) med de uppböjda vingarna uppåt på knivbussningen. Placera styrstiften (4) på knivbussningen i knivens urtag.
- Håll kniven (1) med en hand och fäst medbringaren (3).
- Skruva fast och dra åt knivskruven (2). **Åtdragningsmoment** knivskruv: 15 - 20 Nm

11.7 Slipa kniv

STIHL rekommenderar att en fackman slipar kniven. Vid en felaktigt slipad kniv (fel vinkel, obalans osv.) påverkas maskinens funktion negativt.

Anvisningar för slipning:

- Demontera kniven. (⇒ 11.6)
- Kyl kniven under slipningen, t.ex. med vatten. Blåfärgning får inte uppstå, eftersom detta försämrar knivens hållfasthet.

- Slipa kniven jämnt, för att förhindra vibration pga obalans.
- Slipvinkeln måste vara 30°.
- Ta bort graden på eggen efter slipningen med ett fint slippapper vid behov.

11.8 Förvaring (vinteruppehåll)

Förvara maskinen i ett torrt, slutet och dammfritt utrymme. Se till att den förvaras utom räckhåll för barn.

Förvara alltid gräsklipparen i säkert bruksskick, fäll ned styrhandtaget vid behov.

Se till att alla muttrar, bultar och skruvar är hårt åtdragna, byt ut riskhänvisningar och varningsanvisningar på maskinen som blivit oläsliga, kontrollera hela maskinen beträffande slitage eller skador. Byt ut utslitna eller skadade delar.

Eventuella störningar på maskinen ska alltid åtgärdas innan förvaring.

Beakta följande punkter vid en längre tids uppställning av gräsklipparen (vinteruppehåll):

- Rengör noggrant alla yttre delar på maskinen.
- Olja resp. fetta in alla rörliga delar.

12. Transport

12.1 Transport



Risk för personskador!

Beakta kapitlet "För din säkerhet" före transport. (⇒ 4.)

Bär alltid lämplig skyddsklädsel (stadiga skor, kraftiga skyddshandskar) vid transporten. Koppla alltid bort elkabeln före lyft resp. transport.

Bära maskinen:

- Bär gräsklipparen med en hand på transporthandtaget (1) och med den andra handen på kåpan (2). Se till att kroppen, särskilt fötter och ben, alltid befinner sig på ett säkert avstånd från kniven.

eller

- Bär gräsklipparen med en hand på transporthandtaget (1).

Binda fast maskinen:

- Säkra gräsklipparen och gräsuppsamlaren på lastytan med lämpliga fästansordningar.
- Fäst rep resp. band i transporthandtaget (1) och på styrhandtagets underdelar (3).

13. Minimera slitage och förhindra skador

Viktiga anvisningar för underhåll och skötsel av produktgruppen

Gräsklippare, handstyrd med eldrivning (STIHL RME)

STIHL avsäger sig allt ansvar för sak- och personskador som har uppkommit till följd av att anvisningarna i bruksanvisningen ej har beaktats, särskilt vad gäller säkerhet, handhavande och underhåll, eller som har orsakats av att ej godkända påbyggnadsdetaljer eller reservdelar har använts.

Beakta följande viktiga anvisningar för att förhindra skador eller överdrivet slitage på din STIHL maskin:

1. Förslitningsdelar

Många av STIHL maskinens delar är utsatta för normalt slitage även om den används i enlighet med anvisningarna och måste bytas ut i tid beroende på användningens typ och längd.

Hit hör bl.a.:

- Kniv

2. Följ alltid anvisningarna i denna bruksanvisning

Användning, underhåll och förvaring av STIHL maskinen måste ske omsorgsfullt, på det sätt som beskrivs i denna bruksanvisning. Användaren är själv ansvarig för alla skador som orsakas av att säkerhets-, användnings- och underhållsanvisningarna ej beaktas.

Detta gäller särskilt vid

- underdimensionerad anslutningskabel (area).

- felaktig elanslutning (spänning).
- förändringar på produkten som inte har godkänts av STIHL.
- användning av verktyg eller tillbehör på maskinen, som inte är godkända, inte är lämpliga eller är kvalitativt mindervärdiga.
- ej avsedd användning av produkten.
- användning av produkten för sport- eller tävlingsändamål.
- följdskador som orsakas av att produkten har använts med defekta komponenter.

3. Underhåll

Alla arbeten som beskrivs i avsnittet "Underhåll" måste genomföras regelbundet.

Om användaren inte kan genomföra detta underhåll själv ska det utföras av en servande fackhandel.

STIHL rekommenderar att underhåll och reparationer endast utförs av en STIHL servande fackhandel.

En STIHL servande fackhandel får regelbundna erbjudanden om vidareutbildning och innehar teknisk information.

Om dessa arbeten inte utförs föreligger risk för skador som användaren är ansvarig för.

Hit räknas bl.a.:

- Skador på elmotorn pga otillräcklig rengöring av kylflötskanalen (insugsöppning)
- Korrosions- och andra följdskador orsakade av felaktig förvaring

- Skador på maskinen pga att reservdelar av sämre kvalitet har använts
- Skador pga att underhåll inte genomförts inom rätt tid eller har genomförts på ett felaktigt sätt resp. pga att underhåll och reparation ej har utförts av en servande fackhandel

14. Miljöskydd



Gräsklipp hör inte hemma bland soporna, utan bör komposteras.

Förpackningar, maskin och tillbehör är tillverkade av återvinningsbart material och ska sluthanteras därefter.

Sorterad och miljövänlig sluthantering av materialrester gagnar återanvändningen av återvinningsbart avfall. Därför ska maskinen lämnas till materialinsamlingen efter att dess normala livslängd har uppnåtts. Beakta uppgifterna i kapitlet "Sluthantering" (⇒ 4.9) vid sluthantering.

Kontakta en återvinningsstation eller en servande fackhandel för mer information om hur avfallsprodukter ska sluthanteras på ett fackmannamässigt sätt.

15. Vanliga reservdelar

Kniv:
6311 702 0100

Knivskruv:
9018 321 1800

Medbringare:
6311 702 0600



Knivskruven och medbringaren måste bytas ut vid ett knivbyte. Reservdelar finns att få hos en STIHL servande fackhandel.

16. Tillverkarens konformitetsdeklaration

16.1 EU-konformitetsdeklaration gräsklippare STIHL RME 235.0

STIHL Tirol GmbH
Hans Peter Stihl-Straße 5
6336 Langkampfen
Österrike

förklarar på eget ansvar att

- Typ: eldriven gräsklippare
- Fabrikat: STIHL
- Typ: RME 235.0
- Klippbredd: 33 cm
- Modellnummer: 6311

motsvarar de gällande bestämmelserna i riktlinjen 2006/42/EC, 2000/14/EC, 2014/30/EU och 2011/65/EU samt är utvecklad och tillverkad enligt följande normer, vars version var giltig vid respektive produktionsdatum: EN 60335-1, EN 60335-2-77, EN 55014-1, EN 55014-2, EN 61000-3-2 och EN 61000-3-3.

Deltagandes namn och adress:
TÜV Rheinland LGA Products GmbH
Tillystraße 2
90431 Nürnberg, DE

Bestämningen av den uppmätta och garanterade ljudnivån har utförts enligt riktlinjen 2000/14/EC, bilaga VIII.

- Uppmätt ljudnivå: 92,1 dB(A)

- Garanterad ljudnivå: 93 dB(A)

Tekniska underlag förvaras hos STIHL Tirol GmbH.

Tillverkningsår och maskinnummer finns på gräsklipparen.

Langkampfen, 29.04.2021

STIHL Tirol GmbH

stf.

Matthias Fleischer, områdeschef inom forskning och utveckling

stf.

Sven Zimmermann, områdeschef inom kvalitet

17. Tekniska data

Typ	RME 235.0
Modellnummer	6311
Motor, typ	elmotor
Motortyp	AC universalmotor

Typ	RME 235.0
Spänning	230 V~
Effekt	1200 W
Frekvens	50 Hz
Säkring	5 A
Skyddsklass	II
Skyddstyp	IPX 4
Klippanordning	knivbalk
Klippbredd	33 cm
Varvtal	
klippanordning	3200 varv/min
Enligt 2000/14/EC / S.I. 2001/1701:	
Garanterad ljudnivå	
$L_{WA,d}$	93 dB(A)
Tolerans K_{WA}	0,8 dB(A)
Mätning enligt EN 60335-2-77:	
Ljudtrycksnivå på arbetsplats L_{pA}	
	80 dB(A)
Tolerans K_{pA}	2 dB(A)
Drivning	knivbalk permanent
Åtdragningsmoment	
knivskruv	15 - 20 Nm
Hjul- \emptyset fram	140 mm
Hjul- \emptyset bak	170 mm
Fyllvolym	
gräsuppsamlare	30 l
Klipphöjd	25 - 65 mm
Angivet vibrationsvärde enligt EN 12096:	
Uppmätt värde a_{hw}	1,40 m/s ²
Tolerans K_{hw}	0,70 m/s ²
Mätning enligt EN 20643, EN 60335-2-77	
Längd	127 cm
Bredd	37 cm
Höjd	108 cm
Vikt	13 kg
	14 kg (GB)

17.1 REACH

REACH är en EG-förordning för registrering, bedömning och godkännande av kemikalier.

Information om uppfyllandet av REACH-förordningen (EG) nr 1907/2006 finns på www.stihl.com/reach.

18. Felsökning

✖ kontakta ev. en servande fackhandel, STIHL rekommenderar en STIHL servande fackhandel.

Störning:

Elmotorn startar inte

Möjlig orsak:

- Ingen nätspänning
- Anslutningskabel resp. anslutningskontakt eller strömbrytare defekt
- Startknappen inte tryckt
- Elmotorn är överbelastad pga för högt eller för fuktigt gräs
- Elmotorns skydd aktiverat
- Klipphuset är igensatt
- Säkringen i kontakten defekt (GB-version)

Åtgärd:

- Kontrollera säkringen (⇒ 10.1)
- Kontrollera kabel/kontakt/strömbrytare, byt vid behov (⇒ 10.1)
- Tryck på startknappen (⇒ 10.3)
- Starta inte elmotorn i högt gräs, anpassa klipphöjden (⇒ 7.4)
- Låt maskinen svalna (⇒ 8.4)
- Rengör klipphuset (⇒ 11.2)
- Byt säkring i kontakten (✖)

Störning:

Säkringen går ofta

Möjlig orsak:

- Ej lämplig anslutningskabel
- Elnätet överbelastat
- Maskinen är överbelastad pga klippning i för högt eller för fuktigt gräs

Åtgärd:

- Använd en lämplig anslutningskabel (⇒ 10.1)
- Anslut maskinen till en annan strömkrets
- Anpassa klipphöjden och klippfästigheten till rådande klippförhållanden (⇒ 7.4)

Störning:

Kraftig vibration under drift

Möjlig orsak:

- Knivskruven är lös
- Kniven är inte balanserad

Åtgärd:

- Dra åt knivskruven (⇒ 11.6)
- Slipa (balansera) eller byt ut kniven (⇒ 11.7)

Störning:

Oren klippning, gräsmattan blir gul

Möjlig orsak:

- Kniven är slö eller utsliten
- Gånghastigheten är för hög i förhållande till klipphöjden

Åtgärd:

- Slipa eller byt ut kniven (⇒ 11.7)
- Reducera gånghastigheten och/eller välj rätt klipp höjd (⇒ 7.4)

Störning:

Svårstartad eller elmotorns effekt för svag

Möjlig orsak:

- Klippning i för högt eller för fuktigt gräs
- Klipphuset är igensatt

Åtgärd:

- Anpassa klipphöjden och klipp hastigheten till rådande klippförhållanden (⇒ 7.4)
- Rengör klipphuset (dra ut elkontakten vid rengöring) (⇒ 11.2)

Störning:

Utkastkanalen igensatt

Möjlig orsak:

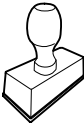
- Kniven är utsliten
- Klippning i för högt eller för fuktigt gräs

Åtgärd:

- Byt ut kniven (⇒ 11.7)
- Anpassa klipphöjden och klipp hastigheten till rådande klippförhållanden (⇒ 7.4)

19. Serviceschema

19.1 Överlämningsbekräftelse

Modell:	_____
Serienummer:	<input type="text"/> <input type="text"/> <input type="text"/> <input type="text"/> <input type="text"/> <input type="text"/> <input type="text"/> <input type="text"/> <input type="text"/>
Datum:	<input type="text"/> <input type="text"/> <input type="text"/> <input type="text"/> <input type="text"/> <input type="text"/>
	
Nästa service	
Datum:	<input type="text"/> <input type="text"/> <input type="text"/> <input type="text"/> <input type="text"/> <input type="text"/>

19.2 Servicebekräftelse



Överlämna denna bruksanvisning till din STIHL servande fackhandel vid underhåll.

Denna bekräftar i de förtryckta fälten att servicearbetena har genomförts.

Service utförd den

Datum för nästa service

Arvoisa asiakas,

kiitämme sinua STIHLin tuotteen valinnasta! STIHL kehittää ja valmistaa huippuluokan tuotteita pitäen suunnittelun lähtökohdana asiakkaidensa tarpeita. Näin pystymme tarjoamaan asiakkaillemme tuotteita, jotka toimivat luotettavasti myös äärimmäisen vaativissa olosuhteissa.

STIHL tunnetaan myös erinomaisesta asiakaspalvelustaan. Jälleenmyyjämme huolehtivat sekä asiantuntevasta neuvonnasta ja opastuksesta että kattavien teknisten palvelujen tarjoamisesta.

Kiitämme sinua STIHLiä kohtaan osoittamastasi luottamuksesta. Toivomme, että olet tyytyväinen hankkimaasi STIHL-tuotteeseen.



Tri Nikolas Stihl

TÄRKEÄÄ! LUE OPAS ENNEN KÄYTTÖÄ JA SÄILYÄ SE VASTAISTA KÄYTTÖÄ VARTEN.

1. Sisällysluettelo

Tätä käyttöopasta koskevia tietoja	92	Suojalaitteet	100
Yleistä	92	Kaksikäsinen käyttö	100
Käyttöoppaan lukuohjeet	92	Sähkömoottorin pysäytysjarru	100
Maaversiot	92	Laitteen käyttöönotto	101
Laitekuvaus	92	Laitteen sähköinen liitäntä	101
Turvallisuutesi vuoksi	93	Vedonestin	101
Yleistä	93	Ruohonleikkurin käynnistys	101
Varoitus sähkövirran aiheuttamasta vaarasta	94	Ruohonleikkurin pysäytys	101
Vaatetus ja varusteet	94	Ruohonkeruusäiliön tyhjennys	101
Laitteen kuljetus	95	Huolto	101
Ennen työskentelyä	95	Yleistä	101
Työskentelyn aikana	95	Laitteen puhdistus	101
Huolto, puhdistus, korjaukset ja säilytys	97	Sähkömoottori ja pyörät	102
Pitkäaikaissäilytys	98	Työntöaisan yläosa	102
Hävittäminen	98	Leikkuuterän huolto	102
Kuvasymbolien selitykset	98	Leikkuuterän irrotus ja asennus	102
Laitteen valmistelu käyttöä varten	98	Leikkuuterän teroitus	102
Ruohonleikkurin kokoaminen	98	Säilytys (talvisäilytys)	103
Hallintalaitteet	99	Kuljetus	103
Ruohonkeruusäiliö	99	Kuljetus	103
Täyttömäärän osoitin	99	Kulumisen minimointi ja vaurioiden ehkäisy	103
Työntöaisa	99	Ympäristönsuojelu	104
Leikkuukorkeuden keskussäätö	99	Varaosat	104
Työskentelyohjeita	99	Vaatumustenmukaisuusvakuutus	104
Yleistä	99	EU-	
Sähkömoottorin oikea kuormittaminen	100	vaatumustenmukaisuusvakuutus	
Leikkuuterän jumiutuminen	100	Ruohonleikkuri STIHL RME 235.0	104
Sähkömoottorin lämpöylikuormitusuojaus	100	Tekniset tiedot	105
Käyttäjän työskentelyalue	100	REACH	105
Turvallitteet	100	Vianetsintä	105
		Huolto-ohjelma	106
		Luovutustodistus	106
		Huoltotodistus	106

2. Tätä käyttöopasta koskevia tietoja

2.1 Yleistä

Tämä käyttöopas on EY-direktiivin 2006/42/EC mukainen valmistajan **alkuperäiskäyttöopas**.

STIHL pyrkii jatkuvasti kehittämään tuotevalikoimaansa ja siksi pidätämme oikeuden toimitussisällön muotoa, tekniikkaa ja varustusta koskeviin muutoksiin.

Tämän vuoksi tässä käyttöoppaassa julkaistujen tietojen ja kuvien pohjalta ei voi esittää mitään vaateita.

Näissä käyttöohjeissa on mahdollisesti kuvattu malleja, joita ei ole saatavilla kaikissa maissa.

Tämä käyttöopas on tekijänoikeudellisesti suojattu. Kaikki oikeudet pidätetään, mukaan lukien oikeus monistamiseen, kääntämiseen ja käsittelyyn sähköisissä järjestelmissä.

2.2 Käyttöoppaan lukuohjeet

Laitteen käsittelyvaiheet on selostettu kuvien ja tekstien avulla.

Kaikki laitteeseen kiinnitetyt kuvasymbolit on selitetty tässä käyttöoppaassa.

Katselusuunta:

Katselusuunta, kun käyttöoppaassa lukee **"vasen"** ja **"oikea"**:

Käyttäjä seisoo koneen takana ja katsoo ajosuuntaan.

Kappaleviite:

Viittaukset lisätietoja sisältäviin kappaleisiin on merkitty nuolella. Alla on esimerkki viittauksesta kappaleeseen: (⇒ 3.)

Tekstikohtien merkintä:

Erilaiset tekstikohdat on erotettu toisistaan merkitsemällä ne erilaisin luettelomerkein seuraavissa esimerkeissä kuvatulla tavalla.

Käsittelyvaiheet, jotka vaativat käyttäjän toimia:

- Avaa ruuvitaltalla ruuvi (1) ja kytke vipu (2) ...

Yleiset luettelot:

- tuotteen käyttö urheilutapahtumissa tai kilpailuissa

Varoituksia tai lisäohjeita sisältävät tekstit:

Varoituksia tai lisäohjeita sisältävät tekstit on merkitty seuraavassa kuvatuilla symboleilla, jotta ne erottuvat selkeästi muista ohjeista:



Vaara!

Onnettomuusvaara, josta voi aiheutua vakavia henkilövahinkoja. Laitteen käytössä on ehdottomasti noudatettava tai vältettävä tietyt toimenpiteitä.



Varoitus!

Henkilövahinkojen vaara. Laitteen käytössä on noudatettava kyseessä olevan kohdan ohjeita henkilövahinkojen välttämiseksi.



Varo!

Pienten vammojen ja esinevahinkojen vaara, joka voidaan välttää ohjeita noudattamalla.



Ohje

Tietoja laitteen oikeasta käytöstä ja virheellisen käytön välttämisestä.

Tekstit, joissa on kuvaviittauksia:

Laitteen käyttöä havainnollistavat kuvat ovat käyttöoppaan alussa.

Kamerasymboli toimii linkkinä kuvasivuilla olevien kuvien ja niitä vastaavien tekstikohtien välillä.



2.3 Maaversiot

STIHL toimittaa laitteet toimitusmaan mukaan erilaisilla pistokkeilla ja katkaisimilla varustettuna.

Kuvissa olevissa laitteissa on europistokkeet. Toisenlaisilla pistokkeilla varustetut laitteet liitetään verkkoon vastaavasti.

3. Laitekuvaus



- 1 Työntöaisan yläosa
- 2 Moottorin pysäytysvipu
- 3 Kääntökahva
- 4 Poistoluukku
- 5 Kuljetuskahva
- 6 Moottorisuojus
- 7 Etupyörä
- 8 Kotelo
- 9 Takapyörä

- 10 Työntöaisan alaosa
- 11 Kaapelipidike
- 12 Ruohonkeruusäiliö
- 13 Kaapeliohjain
- 14 Täyttömäärän osoitin
- 15 Käynnistysnappi
- 16 Verkkoliitäntä
- 17 Vedonestin
- 18 Korkeudensäätövipu

4. Turvallisuuksi vuoksi

4.1 Yleistä



Laitteella työskennellessä on ehdottomasti noudatettava näitä turvamääräyksiä.



Lue käyttöohjeet kokonaisuudessaan läpi huolellisesti ennen ensimmäistä käyttöönottoa. Säilytä ohjeet

hyvässä tallessa myöhempää käyttöä varten.

Nämä varotoimenpiteet ovat välttämättömiä oman turvallisuutesi takia, mutta luettelo ei ole täydellinen. Käytä laitetta järkevästi ja vastuullisesti ja muista, että laitteen käyttäjä on vastuussa sivullisille tai heidän omaisuudelleen aiheutetuista vahingoista.

Perehdy laitteen hallintalaitteisiin ja oikeaan käyttöön.

Laitteen käyttö on sallittu vain henkilöille, jotka ovat perehtyneet käyttöohjeisiin ja laitteen käsittelyyn. Ennen ensimmäistä käyttöönottoa käyttäjän tulee perehtyä laitteen käyttöön asianmukaisesti ja

käytännössä. Anna myyjän tai asiantuntijan opastaa käyttämään laitetta turvallisesti.

Opastuksessa käyttäjälle tulee kertoa ennen kaikkea, että laitteella työskennellessä vaaditaan äärimmäistä huolellisuutta ja keskittymistä.

Vaikka tätä laitetta käytetään ohjeenmukaisesti, jäännösriskejä on silti olemassa.



Tukehtumisvaara!

Pakkausmateriaalilla leikkiminen aiheuttaa lapsille tukehtumisvaaran. Pidä pakkausmateriaali ehdottomasti poissa lasten ulottuvilta.

Anna vain sellaisten henkilöiden käyttää tai lainata laitetta ja sen oheislaitteita, jotka osaavat varmasti käyttää kyseistä mallia ja ovat tottuneet sen käsittelyyn. Käyttöohjeet ovat osa laitetta ja ne täytyy aina antaa mukana.

Älä käytä laitetta väsyneenä tai sairaana. Mikäli et ole terve, kysy lääkäriltäsi, voitko käyttää laitetta. Laitteen käyttö on kiellettyä, jos olet nauttinut alkoholia, reaktiokykyä rajoittavia lääkkeitä tai huumaavia aineita.

Varmista, että käyttäjä on fyysisesti, aistimellisesti ja henkisesti kykenevä käyttämään laitetta ja työskentelemään sillä. Ellei käyttäjä ole fyysisesti, aistimellisesti tai henkisesti täysin kykenevä, hän saa työskennellä ruohonleikkurilla vain vastuuhenkilön valvonnassa tai tämän antamien ohjeiden mukaan.

Varmista, että käyttäjä on täysi-ikäinen tai kansallisten määräysten mukaisessa valvotussa ammattikoulutuksessa.

Laitte on tarkoitettu yksityiskäyttöön.

Huomio – onnettomuusvaara!

Laitte on tarkoitettu ainoastaan ruohon leikkaamiseen. Muunlainen käyttö on kielletty ja voi olla vaarallista tai johtaa laitteen vaurioitumiseen.

Käyttäjän loukkaantumista takia laitetta ei saa käyttää seuraaviin töihin (luettelo ei ole täydellinen):

- pensaiden ja pensasaitojen viimeistelyyn
- köynnöskasvien leikkuuseen
- ruohokattojen leikkuuseen
- puiden ja pensaiden leikkuujätteiden silppuamiseen tai hakettamiseen
- kävelyteiden puhdistamiseen (roskien imeminen tai puhaltaminen)
- maanpinnan epätasaisuuksien (esimerkiksi myyräkäytävien) tasoittamiseen
- leikkuujätteen kuljettamiseen (paitsi asiaankuuluvassa ruohonkeruusäiliössä).

Turvallisuussyistä kaikenlainen laitteen muuttaminen on kielletty ja johtaa takuun raukeamiseen. Poikkeuksena tähän on STIHLin hyväksymien lisävarusteiden asianmukainen asennus. Lisätietoja hyväksytyistä lisälaitteista saat STIHL-jälleenmyyjiltä.

Etenkin kaikki laitteen poltto- tai sähkömoottorin tehoon tai kierroslukuun tehtävät muutokset ovat kiellettyjä.

Laitteella ei saa kuljettaa esineitä, eläimiä tai henkilöitä, ei varsinkaan lapsia.

Käyttö julkisissa paikoissa, puistoissa, urheilukentillä, kadunvarsilla ja maa- ja metsätalousyrityksissä edellyttää erityistä varovaisuutta.



Huomio! Tärinä voi aiheuttaa terveyshaittoja! Liiallinen tärinärasitus voi aiheuttaa verenkierto- tai hermovaurioita,

etenkin verenkiertohäiriöistä kärsiville henkilöille. Käänny lääkärin puoleen, jos saat oireita, joiden syynä saattaa olla tärinä.

Tällaisia oireita, jotka esiintyvät useimmiten sormissa, käsissä tai käden nivelissä, ovat seuraavat (luettelo ei ole täydellinen):

- tunnottomuus
- kivut
- lihasheikkous
- ihon värimuutokset
- epämiellyttävä kutina.

Pidä työskentelyn aikana molemmin käsin kiinni työntöaisan siihen tarkoitetuista kohdista pitävästi mutta liikaa puristamatta.

Suunnittele työskentelyajat siten, ettet altistu voimakkaalle tärinälle pitkää aikaa kerrallaan.

4.2 Varoitus sähkövirran aiheuttamasta vaarasta



Huomio!
Sähköiskun vaara!

Verkkojohto, verkkopistoke, käyttökatkaisin ja liitäntäjohto ovat sähköturvallisuuden kannalta erityisen tärkeitä. Vaurioituneita johtoja, pistorasioita ja pistokkeita tai määräysten vastaisia liitäntäjohtoja ei saa käyttää sähköiskuvaaran takia.

Tarkasta liitäntäjohto säännöllisesti vaurioiden tai vanhenemisen (haurastumien) varalta.

Laitteen saa ottaa käyttöön vain, kun virtajohto on kelattu auki.

Jos käytät johtokelaa, vedä johto aina ennen käyttöä kokonaan pois kelalta.

Älä koskaan käytä viallista jatkojohtoa. Vaihda viallisten johtojen tilalle uudet äläkä korjaa jatkojohtoja.

Laitetta ei saa käyttää, jos johdot ovat vaurioituneet tai kuluneet. Tarkista etenkin verkkoliitäntäjohto vaurioiden ja haurastumisen varalta.

Huolto- ja korjaustoimenpiteitä verkkoliitäntäjohdolle saa suorittaa vain alan ammattilainen.

Sähköiskun vaara!

Älä liitä viallista johtoa sähköverkkoon äläkä kosketa viallista johtoa, ennen kuin se on irrotettu verkosta.



Sähköiskuvaara!

Vahingoittuneiden sähköjohtojen, pistorasioiden ja pistokkeiden sekä määräysten vastaisten liitäntäjohtojen käyttö on kielletty.

Älä kosketa leikkuuyksiköitä (teriä) ennen kuin laite on erotettu verkosta.

Varmista aina, että käytettävissä verkkojohtoissa on riittävä suojaus.



Vaikka sähkömoottori on roiskevesisuojaattu, laitetta ei saa käyttää sateessa eikä märässä ympäristössä.

Käytä ainoastaan ulkokäyttöön tarkoitettuja, kosteuseristettyjä jatkojohtoja, jotka sopivat laitteen kanssa käytettäväksi (⇒ 10.1).

Pidä johto poissa terän ulottuvilta leikkuun aikana.

Irrota liitäntäjohto pitämällä pistokkeesta ja pistorasiasta kiinni; älä vedä johdoista.

Jos laite liitetään virtalaitteeseen, on muistettava, että virran heilahtelut voivat vioittaa laitetta.

Liitä laite vain virtalähteeseen, joka on suojattu vikavirtakytkimellä, jonka laukaisuvirta on enintään 30 mA. Lisätietoja saat sähköasentajalta.

Sähköturvallisuuden varmistamiseksi sähköjohdon täytyy olla ohjeenmukaisesti kiinnitettynä työntöaisaan.

4.3 Vaatetus ja varusteet



Käytä aina työn aikana tukevia ja pitäväpohjaisia jalkineita. Älä työskentele paljain jaloin tai sandaalit jalassa.



Käytä tukevia käsineitä ja pidä pitkät hiukset kiinni esimerkiksi hiusverkolla tai päähineellä huolto- ja puhdistustöissä ja laitetta kuljettaessa.



Käytä asianmukaisia suojalaseja leikkuuterää teroitettaessa.

Käytä laitetta ajaessasi vain pitkiä housuja ja ihonmyötäisiä vaatteita.

Älä käytä löysiä asusteita (esimerkiksi koruja, solmioita tai huiveja), jotka voivat tarttua koneen liikkuviin osiin (käyttövipuihin).

4.4 Laitteen kuljetus

Työskentele aina käsineitä käyttäen, jotta laitteen teräväreunaiset ja kuumat osat eivät aiheuta vammoja.

Ennen kuljetusta katkaise laitteen toiminta, vedä verkkojohto irti ja odota, että terä on pysähtynyt.

Sähkömoottorin tulee olla jäähtynyt laitetta kuljettaessa.

Ota huomioon laitteen paino ja käytä tarvittaessa sopivia apuvälineitä lastaamiseen (lastausramppeja ja nostolaitteita).

Varmista laite ja mukana kuljetettavat laitteen osat (esimerkiksi ruohonkeruusäiliö) kuljetusalustalle riittävän vahvoilla kiinnitysvälineillä (esimerkiksi hihnoilla ja vaijereilla).

Kun nostat ja kannat ruohonleikkuria, vältä koskettamista leikkuuterää.

Noudata kappaleessa "Kuljetus" olevia ohjeita. Siellä on kuvattu laitteen nostaminen ja sitominen. (⇒ 12.1)

Noudata alueellisia määräyksiä laitetta kuljetettaessa, ennen kaikkea niitä, jotka koskevat kuorman turvallisuutta ja esineiden kuljettamista lavoilla.

4.5 Ennen työskentelyä

Varmista, että laitetta käyttävät vain henkilöt, jotka ovat tutustuneet käyttöohjeisiin.

Noudata polttomoottorilla tai sähkömoottorilla varustettujen puutarhalaitteiden käyttöaikoja koskevia yleisiä järjestyssääntöjä.

Tarkasta koko alue, jolla laitetta käytetään, ja poista kaikki kivet, kepit, rautalangat, luut ja muut esineet, jotka laite voi mahdollisesti singota ympäriinsä. Esteet (esimerkiksi kannot tai juuret) voivat helposti jäädä huomaamatta korkeassa ruohossa.

Merkitse ennen ruohonleikkuuta kaikki nurmialalla olevat ruohon kätkemät esineet (esteet), joita ei voi poistaa.

Vikaantuneet, kuluneet ja vahingoittuneet osat on vaihdettava ennen laitteen käyttöä. Jos laitteessa ovat varoitustarrat ja turvaohjeet ovat kuluneet epäselviksi tai muuten vahingoittuneet, vaihda niiden tilalle uudet. Uusia tarroja ja muita varaosia on saatavana STIHL-ammattiliikkeestä.

Laitetta saa käyttää vain sen ollessa käyttövarma. Tarkasta seuraavat seikat ennen jokaista käyttökertaa:

- Laite on ohjeenmukaisesti asennettu.

– Leikkuukoneisto ja koko leikkuuyksikkö (leikkuuterät, kiinnitysosat ja leikkuupöydän runko) ovat moitteettomassa kunnossa. Erityisesti varma kiinnitys, vauriot (urat tai säröt) ja kuluneisuus on tarkastettava.

– Turvalaitteet (esimerkiksi poistoluukku, runko, työntöaisa ja moottorin pysäytysvipu) ovat moitteettomassa kunnossa ja toimivat ohjeenmukaisesti.

– Ruohonkeruusäiliö on vahingoittumaton ja kunnolla kiinnitetty; vahingoittunutta ruohonkeruusäiliötä ei saa käyttää.

– Sähkömoottorin pysäytysjarru toimii.

Suurin osa tarvittavista töistä tai käänny ammattiliikkeen puoleen. STIHL suosittelee STIHLin ammattiliikettä.

Ota huomioon luvun "Sähköiskuvaara" (⇒ 4.2) tiedot.

Käynnistä sähkömoottori aina terä ohjeenmukaisesti kiinnitettynä. Sähkömoottori voi ylikuumentua!

4.6 Työskentelyn aikana



Älä työskentele milloinkaan niin, että lähistöllä on muita, etenkin lapsia tai eläimiä.

Laitteeseen asennettuja kytkentä- ja turvalaitteita ei saa poistaa tai ohittaa. Älä etenkaan kiinnitä moottorin pysäytysvipua työntöaisaan (esimerkiksi sitomalla).

Työntöaisan täytyy olla aina ohjeenmukaisesti asennettuna eikä sitä saa muuttaa. Älä koskaan ota laitetta käyttöön, jos työntöaisa on taitettu.

Älä koskaan kiinnitä mitään työntöaisaan (esimerkiksi työvaatteita). Jatkojohtoja ei saa kääriä työntöaisan ympärille.

Työskentele vain päivänvalossa tai hyvässä keinovalaistuksessa.

Älä työskentele ympäristön lämpötilan ollessa alle +5 °C.

Älä työskentele laitteella sateessa tai ukkosella, kun vaarana on salamanisku.

Kosteaa alusta lisää onnettomuusriskiä (käyttäjät ei saa tukevaa asentoa). Työskentele erityisen varovasti, jotta vältät liukastumisen. Mikäli mahdollista, laitetta ei pidä käyttää kostealla alustalla.

Älä jätä laitetta sateeseen.

Laitteen käynnistys:

Käynnistä laite varovasti ja kohdan "Laitteen käyttöönotto" ohjeiden mukaisesti. (⇒ 10.)

Pidä jalkaterät riittävän etäällä leikkuuteristä.

Käynnistä laite aina tasaisella alustalla.

Laitetta ei saa kallistaa ennen käynnistämistä tai sen aikana.

Älä käynnistä sähkömoottoria, jos poistoluukku tai ruohonkeruusäiliö ei ole poistokanavan edessä.

Vältä toistuvaa käynnistämistä lyhyen ajan sisällä ja erityisesti käynnistysnapilla "leikkimistä". Sähkömoottori voi ylikuumentua!

Työskentely rinteissä:

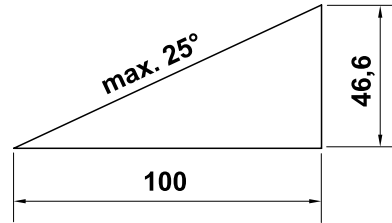
Työskentele rinteissä aina poikittain, älä pitkittäin.

Jos käyttäjä menettää laitteen hallinnan leikatessaan pitkittäissuunnassa, leikkaava laite saattaa vieriä hänen päälleen.

Ole erityisen varovainen, kun vaihdat ajosuuntaa rinteessä.

Ota tukeva asento rinteissä ja vältä työskentelyä laitteen kanssa liian jyrkissä rinteissä.

Turvallisuussyistä laitetta ei saa käyttää rinteissä, joiden kaltevuus on yli 25° (46,6 %). **Loukkaantumiswaara!** Rinteen 25°:n kaltevuus vastaa 46,6 cm:n nousua vaakapinnasta 100 cm:n matkalla.



Työskentely:



Huomio – loukkaantumiswaara!

Älä työnnä käsiä tai jalkoja pyörivien osien lähelle tai alle.

Älä missään tapauksessa kosketa pyörivää terää. Pysy etäällä poistoaukosta. Pidä koneeseen aina työntöaisan etäisyyden mukainen turvaväli.



Älä yritä tarkastaa terää laitteen ollessa toiminnassa. Älä koskaan avaa poistoluukku ja/tai poista ruohonkeruusäiliötä leikkuuterän vielä pyöriessä. Pyörivä terä voi aiheuttaa vammoja.

Kuljeta laitetta vain kävelyvauhtia, ei missään tapauksessa juosten. Laitteen nopea kuljettaminen lisää loukkaantumiswaaraa esimerkiksi kompastumisen tai liukastumisen takia.

Ole erityisen varovainen, kun käännät laitteen tai vedät sitä itseäsi kohti.

Kompastumisvaara!

Älä nosta tai kannata laitetta, kun sähkömoottori käy tai verkkojohto on kytketty.

Ruohon kätkemät esineet (esimerkiksi kastelulaitteet, pilarit, vesiventtiilit, perustukset ja sähköjohdot) pitää kiertää. Älä koskaan aja tällaisten esineiden päältä.

Käytä laitetta erityisen varovasti, kun olet rinteiden, notkojen, oijen tai patojen läheisyydessä. Pysy riittävän etäällä tällaisista vaaratekijöistä.

Jos terä tai laite on törmännyt esteeseen tai vieraaseen esineeseen, sähkömoottori on pysäytettävä, verkkojohto irrotettava ja laite tarkastettava asiantuntevasti.



Huomaa, että terät pyörivät vielä muutaman sekunnin moottorin sammuttamisen jälkeen.

Sammuta sähkömoottori, ennen kuin

- kallistaa laitetta siirtäessäsi sitä muiden kuin ruohopintojen yli
- kuljetat laitetta leikkuualueelle tai sieltä pois
- poistat ruohonkeruusäiliön
- säädät leikkuukorkeuden.



Sammuta sähkömoottori, vedä verkkopistoke irti ja varmista, että leikkuukoneisto on pysähtynyt

- ennen kuin irrotat jumitukset tai poistat tukokset poistokanavasta

- kun terä on osunut vieraaseen esineeseen. Terä täytyy tarkastaa mahdollisten vaurioiden varalta. Laitetta ei saa ottaa käyttöön, jos terä- eli sähkömoottoriakseli on vaurioitunut tai vääntynyt. **Vialliset osat voivat aiheuttaa vammoja!**
- ennen kuin tarkastat tai puhdistat laitteen tai teet muita toimia, esimerkiksi säädät leikkuukorkeutta tai työntöaisaa taikka taitat työntöaisan
- ennen kuin poistut laitteen luota tai kun kone jätetään ilman valvontaa
- ennen kuin nostat tai kannat laitetta
- ennen kuin kuljetat laitetta.
- jos laite osuu vieraaseen esineeseen tai se tärisee tavallista voimakkaammin. Tarkasta tällaisessa tilanteessa laitteen vauriot, varsinkin leikkuuyksiköstä (terä, teräkseli ja terän kiinnitys), ja tee tarvittavat korjaukset, ennen kuin käynnistät laitteen uudelleen ja aloitat työt.



Loukkaantumisvaara!

Voimakas värinä on yleensä merkki häiriöstä. Laitetta ei saa ottaa käyttöön varsinkaan silloin, jos teräkseli tai leikkuuterä on vaurioitunut tai vääntynyt. Teet tarvittavat korjaukset ammattilaisella, jos sinulla ei ole tarvittavia tietoja. STIHL suosittelee STIHL ammattiliikettä.

Tämän laitteen käynnin aikana tapahtuvat jännitevaihtelut voivat epäedullisissa verkko-olosuhteissa aiheuttaa häiriöitä toisille samaan virtapiiriin kytketyille laitteille. Tässä tapauksessa on tehtävä asiaankuuluvat toimet (esimerkiksi tehtävä

liitäntä toiseen virtapiiriin tai käytettävä laitetta alhaisemman impedanssin virtapiirissä).

4.7 Huolto, puhdistus, korjaukset ja säilytys



Sammuta laite ja vedä verkkopistoke irti ennen kuin aloitat mitään laitteeseen kohdistuvia töitä, ennen laitteen

säätämistä ja puhdistamista ja ennen liitäntäjohdon kiertymistä ja vaurioiden tarkastamista.

Ennen kuin siirät laitteen säilytykseen suljettuun tilaan tai alat tekemään laitteeseen liittyviä huolto- tai puhdistustöitä, anna laitteen jäähtyä kunnolla.

Puhdistus:

Puhdista koko laite huolellisesti töiden jälkeen. (⇒ 11.2)

Irrota runkoon tarttuneet ruohojäänteet puutikulla. Puhdista ruohonleikkurin alapuoli harjalla ja vedellä.

Älä koskaan käytä painepesuria äläkä pese laitetta juoksevalla vedellä (esim. kasteluletkulla).

Älä käytä syövyttäviä puhdistusaineita. Tällaiset puhdistusaineet voivat vioittaa muoveja ja metalleja ja heikentää siten STIHL-laitteesi turvallista toimintaa.

Pidä palovaaran välttämiseksi sähkömoottorin kannen ja kotelon välisten jäähdytysaukkojen alue puhtaana esimerkiksi ruohosta, heinästä, sammaleesta, lehdistä ja vuotavasta rasvasta.

Huoltotyöt:

Suorita vain sellaisia huoltotöitä, jotka on kuvattu näissä käyttöohjeissa – kaikki muut työt saa suorittaa vain ammattiliike. Jos tarvitset lisätietoja tai apuvälineitä, käänny **aina** ammattiliikkeen puoleen. STIHL suosittelee teettämään huoltotyöt ja korjaukset vain STIHL-ammattiliikkeessä. STIHL-ammattiliikkeissä saat aina ammattitaitoisen ja asiantuntevan palvelun.

Käytä vain laadukkaita työkaluja, tarvikkeita ja oheislaitteita, jotka STIHL on hyväksynyt tälle laitteelle tai teknisesti vastaavia osia. Muuten seurauksena voi olla laitteen vaurioituminen ja tapaturma. Epävarmoissa tapauksissa käänny ammattiliikkeen puoleen.

Alkuperäiset STIHL-työkalut, -tarvikkeet ja -varaosat soveltuvat ominaisuuksiltaan parhaiten laitteeseen ja käyttäjän vaatimuksiin. Alkuperäiset STIHL-varaosat tunnistaa STIHL-varaosanumerosta, STIHL-logosta ja mahdollisesta STIHL-varaosamerkinästä. Pienikokoisiin osiin voi olla merkitty ainoastaan STIHL-varaosamerkinä.

Pidä varoitus- ja ohjetarrat puhtaina ja luettavina. STIHL-jälleenmyyjä voi vaihtaa vioittuneiden tai kadonneiden tarrojen tilalle uudet alkuperäistarrat. Jos laitteeseen vaihdetaan uusia osia, varmista, että uudessa osassa on samanlainen tarra.

Käytä leikkuuyksikköä käsitellessäsi aina paksuja työkäsineitä ja noudata erityistä varovaisuutta.

Varmista, että kaikki mutterit, pultit ja ruuvit, erityisesti teräruuvi, on kiristetty tiukalle, jotta laite on aina turvallinen käyttäjä.

Tarkasta koko laitteen ja ruohonkeruusäiliön kuluneisuus ja vauriot säännöllisesti, etenkin ennen laitteen pitempiaikaista varastointia (talvisäilytystä). Vaihda kuluneet tai vialliset osat turvallisuussyistä välittömästi, jotta laite on aina käyttöturvallinen.

Jos rakenneosia tai turvalaitteita on pitänyt irrottaa huoltotöitä varten, ne on kiinnitettävä välittömästi ja määräysten mukaisesti takaisin paikoilleen.

Tarkasta säännöllisesti leikkuuterän varma kiinnitys, vauriot ja kuluneisuus.

4.8 Pitkäaikaissäilytys

Aseta jäähtynyt laite säilytykseen kuivaan ja suljettuun tilaan.

Suojaa laite asiattomalta käytöltä (esimerkiksi lapset).

Puhdista laite ennen säilytystä huolellisesti (esimerkiksi talvisäilytys).

Varastoi laite käyttökuntoisena.

4.9 Hävittäminen

Huolehdi siitä, että loppuun palvellut laite hävitetään asianmukaisesti. Varmista ennen laitteen hävittämistä, että se on toimintakelvoton. Poista onnettomuuksien välttämiseksi sähkömoottorin verkko- eli sähköjohto.

Leikkuuterät aiheuttavat loukkaantumisaavaa!

Älä koskaan jätä edes loppuun palvellutta laitetta ilman valvontaa. Varmista, että laite ja leikkuuterät säilytetään poissa lasten ulottuvilta.

5. Kuvasyömbölien selitykset



Huomio!

Lue käyttöohjeet ja turvaohjeet ennen käyttöönottoa.



Loukkaantumisaava!

Pidä sivulliset poissa vaara-alueelta!



Loukkaantumisaava!

Pidä kädet ja jalkaterät etäällä teristä. Varo terävää leikkuuterää. Leikkuuterä pyörii jonkin aikaa edelleen sammuttamisen jälkeen (moottori-/teräjarru). Sammuta moottori ja vedä verkkopistoke irti ennen leikkuukoneistoon kohdistuvia töitä, ennen huolto- ja puhdistustöitä, ennen liitäntäjohdon kiertymisen ja vaurioiden tarkastamista ja ennen laitteen luota poistumista.



Sähköiskun vaara! Älä vie liitäntäjohtoa leikkuuterän lähelle.



Älä työskentele sateella tai märässä ympäristössä.



Sähkömoottorin käynnistäminen.

6. Laitteen valmistelu käyttöä varten

6.1 Ruohonleikkurin kokoaminen



Loukkaantumisaava

Noudata luvun "Turvallisuutesi vuoksi" turvaohjeita. (⇒ 4.)

- Koko laite suoralla, tasaisella ja tukevalla alustalla. Tarkasta toimitussisältö ennen kokoamista.



- Koko ruohonkeruusäiliö ja kiinnitä työntöaisan alaosat (D) – huomioi kiristystiukkuus.



- Aseta työntöaisan yläosa halutulle korkeudelle työntöaisan alaosien päälle ja pidä siinä. (⇒ 7.3)

- Kiinnitä työntöaisan yläosa, vie virtajohto kuvan mukaisesti kaapeliohjaimeen (J) ja kiinnitä kaapelipidikkeillä (K) työntöaisaan.



- Kiinnitä ruohonkeruusäiliö. (⇒ 7.1)

7. Hallintalaitteet

7.1 Ruohonkeruusäiliö



Kiinnitys:

- Avaa poistoluukku (1) ja pidä sitä auki.
- Kiinnitä ruohonkeruusäiliö (2) kiinnikkeillä laitteen taustapuolella oleviin kannattimiin (3).
- Sulje poistoluukku (1).

Irrutus:

- Avaa poistoluukku (1) ja pidä sitä auki.
- Nosta ruohonkeruusäiliötä (2) ja poista se takakautta.
- Sulje poistoluukku (1).

7.2 Täyttömäärän osoitin



Terän aiheuttama ilmavirta nostaa täyttömäärän osoitinta (1). Kun ruohonkeruusäiliö on täynnä, ilmavirta pysähtyy. Kun ilmavirta on liian pieni, täyttömäärän osoitin (1) laskeutuu alas lepoasentoon. Tämä osoittaa, että ruohonkeruusäiliö tulisi tyhjentää.

Täyttömäärän osoitin toimii rajoittamattomasti ainoastaan silloin, kun ilmavirta on optimaalinen. Ulkoiset tekijät, kuten märkä, tiheä tai korkea ruoho, matala leikkuukorkeus, liikaantumisen tai vastaavat, voivat rajoittaa ilmavirtaa ja täyttömäärän osoittimen toimintaa.

A Ruohonkeruusäiliö täyttyy

B Ruohonkeruusäiliö täysi

- Tyhjä täysi ruohonkeruusäiliö (⇒ 10.5).

7.3 Työntöaisa



Puristumisvaara!

Kääntökahvoja avattaessa työntöaisan yläosa voi taittua. Pitäe aina työntöaisan yläosaa (2) toisella kädellä yläasennossa, kun löysäät kääntökahvoja.

1 Työntöaisan yläosan kääntäminen:

Kuljetusasento – tilaa säästävä kuljetus ja säilytys:

- Kierrä kääntökahvoja (1) niin paljon auki, että ne pyörivät vapaasti, ja taita työntöaisan yläosa (2) eteen. Varo, ettei sähköjohto vahingoitu.

Työasento – laitteen työntäminen:

- Käännä työntöaisan yläosa (2) taakse ja pidä siitä kiinni yhdellä kädellä.
- Kiinnitä kääntökahvat (1).

2 Korkeussäätö:

Työntöaisan yläosan voi lukita kahteen korkeuteen:

- Kierrä kääntökahvat (1) irti ja poista ne ruuvien (3) kanssa.
- Siirrä työntöaisan yläosa (2) haluttuun korkeuteen:
Reikä **A** – korkea asento
Reikä **B** – matala asento
- Työnnä ruuvit (3) työntöaisan yläosan ja alaosan reikiin läpi ja kiinnitä kääntökahvat (1).

7.4 Leikkuukorkeuden keskussäätö



Säädettävissä on viisi eri leikkuukorkeutta.

Taso 1:

matalin leikkuukorkeus (25 mm)

Taso 5:

korkein leikkuukorkeus (65 mm)

Leikkuukorkeuden säätö:

- Paina lukkovipua (1) ulospäin ja pidä painettuna.
- Säädä haluttu leikkuukorkeus laitetta nostamalla ja laskemalla.
- Päästä lukkovipu (1) irti ja anna sen lukittua.

8. Työskentelyohjeita

8.1 Yleistä



Loukkaantumisvaara!

Selvitä sotkeutunut johtovyöhyke välittömästi.

Ohjaa liitäntäjohtoa takanasi ruohonleikkuun yhteydessä. Liitäntäjohtodot voivat leikkautua vahingossa poikki ruohoa leikattaessa, ja niihin voi kompastua. Ne aiheuttavat siksi korkean onnettomuusrisikin. Leikkaa tästä syystä aina siten, että liitäntäjohto on koko ajan näkyvässä jo leikatulla nurmikolla.

Nurmikosta tulee kaunis ja tuuhea, kun se leikataan usein.

Älä leikkaa liian lyhyeksi kuumalla ja kuivalla ilmalla, koska nurmikko kuivuu ja kulottuu auringon vaikutuksesta!

Leikkuujälki on sitä kauniimpi, mitä terävämpää terää käytetään, joten teroituta terä säännöllisesti STIHLin ammattiliikkeessä.

8.2 Sähkömoottorin oikea kuormittaminen

Älä käynnistä ruohonleikkuria korkeassa ruohikossa äläkä matalimmalla leikkuukorkeudella.

Ruohonleikkuria saa kuormittaa vain sen verran, että sähkömoottorin kierrosluku ei pääse olennaisesti laskemaan.

Kierrosluvun laskiessa valitse korkeampi leikkuukorkeusasento ja/tai vähennä etenemisnopeutta.

8.3 Leikkuuterän jumituminen

Sammuta sähkömoottori ja vedä verkkopistoke irti. Korjaa sen jälkeen häiriön aiheuttaja.

8.4 Sähkömoottorin lämpöylikuormitussuojaus

Laitteeseen asennettu lämpöylikuormitussuojaus kytkee sähkömoottorin automaattisesti pois päältä, jos sähkömoottori ylikuormittuu työskentelyn yhteydessä.

Ylikuormituksen syitä:

- liian pitkän ruohon leikkaus tai liian matalalle asetettu leikkuukorkeus
- liian suuri etenemisnopeus

- jäähdytysilman ohjaimen (imaukkojen) riittämätön puhdistus
- leikkuuterän tylsyys tai kuluneisuus
- sopimaton tai liian pitkä liitäntäjohto – jännitehäviö (⇒ 10.1).

Uudelleenkäyttöönnotto

Laitte voidaan ottaa jälleen normaaliin käyttöön noin 20 minuutin jäähtymisajan jälkeen (ympäristön lämpötilan mukaan) (⇒ 10.).

8.5 Käyttäjän työskentelyalue

- Käyttäjän pitää turvallisuussyistä seistä koko ajan työskentelyalueella työntöaisan takana, kun sähkömoottori käy. Pidä koneeseen aina työntöaisan etäisyyden mukainen turvaväli.
- Ruohonleikkuria saa käyttää vain yksi henkilö, ja sivullisten on pysyttävä poissa vaara-alueelta. (⇒ 4.)



9. Turvalaitteet

Käyttäjän turvallisuuden varmistamiseksi ja epäasianmukaisen käytön estämiseksi laite on varustettu useilla turvalaitteilla.



Loukkaantumisaava!

Laitetta ei saa ottaa käyttöön, jos jokin turvalaite on viallinen. Käänny tarvittaessa ammattiliikkeen puoleen. STIHL suosittelee STIHL-ammattiliikettä.

9.1 Suojalaitteet

Ruohonleikkuri on varustettu suojalaitteilla, jotka estävät tahattoman kosketuksen leikkuuterään ja ulos tulevaan leikkuusilppuun. Näitä ovat runko, poistoluukku, ruohonkeruusäiliö ja ohjeenmukaisesti asennettu työntöaisa.

9.2 Kaksikäsinen käyttö

Sähkömoottorin voi käynnistää vain painamalla oikealla kädellä käynnistysnappia ja pitämällä sen painettuna sekä vetämällä vasemmalla kädellä moottorin pysäytysvivun kiinni työntöaisaan.

9.3 Sähkömoottorin pysäytysjarru

Kun vapautat moottorin pysäytysvivun, ruohonleikkuri pysähtyy alle kolmessa sekunnissa.

Sähkömoottorin pysäytysjarru lyhentää moottorin sammuttamisesta terien pysähtymiseen kuluvaa aikaa.



Sähkömoottorin käynnistämisen jälkeen terä pyörii ja kuuluu suhinaa. Jälkikäyntiaika vastaa suhinan kestoa sähkömoottorin sammuttamisen jälkeen, ja se voidaan mitata ajanottokellolla.

10. Laitteen käyttöönotto

10.1 Laitteen sähköinen liitäntä



Sähköiskun vaara!

Noudata kappaleen "Turvallisuutesi vuoksi" turvaohjeita (⇒ 4.2).

Jos käytät johtokelaa, vedä liitäntäjohto kokonaan pois kelalta, jotta sähkövastus ei aiheuta tehohävikkiä ja ylikuumentumista.

Liitäntäjohtoina saa käyttää vain sellaisia johtoja, jotka ovat vähintään kumivaippaisten johtojen **H07 RN-F DIN/VDE 0282** vahvuisia.

Vähimmäishalkaisija:

pituus enintään 25 m: 3 x 1,5 mm²

pituus enintään 50 m: 3 x 2,5 mm²

Liitäntäjohtojen kytkinten ja pistorasioiden on oltava kumia tai kumipäällysteisiä ja vastattava normia **DIN/VDE 0620**.

Verkkojännitteen ja -taajuuden on vastattava tehokilpeä tai luvun "Tekniset tiedot" (⇒ 17.) tietoja.

Verkkoliitäntäjohtojen on oltava riittävästi suojattu (⇒ 17.).

Tämä laite on tarkoitettu käytettäväksi virtaverkossa, jonka järjestelmäimpedanssi Z_{max} on siirtokohdassa (taloliitäntä) enintään **0,49 ohmia** (50 Hz:llä).

Käyttäjän tulee varmistaa, että laitetta käytetään vain virtaverkossa, joka täyttää nämä vaatimukset. Tarvittaessa järjestelmäimpedanssia voi tiedustella paikalliselta voimayhtiöltä.

10.2 Vedonestin



Vedonestin estää työskentelyn aikana liitäntäjohtojen irtoamisen vahingossa ja siten laitteen verkkoliitännän mahdollisen vaurion.

Liitäntäjohto on aina vedettävä vedonestimen kautta.

- Tee liitäntäjohtoon (1) silmukka ja vie se aukon (2) läpi.
- Laita sen jälkeen silmukka haan (3) ympäri ja kiristä.

10.3 Ruohonleikkurin käynnistys



Älä käynnistä sähkömoottoria pitkässä ruohikossa äläkä matalimmalla leikkuukorkeudella, koska se vaikeuttaa käynnistämistä.

- Paina käynnistysnappia (1) ja pidä se painettuna. Vedä moottorin pysäytysvipu (2) työntöaisaa vasten ja pidä siinä.
- Voit päästää irti käynnistysnapista (1), kun moottorin pysäytysvipu (2) on painettuna.

10.4 Ruohonleikkurin pysäytys



- Päästä moottorin pysäytysvipu (1) vapaaksi. Sähkömoottori ja leikkuuterä pysähtyvät muutamassa sekunnissa.

10.5 Ruohonkeruusäiliön tyhjennys



Loukkaantumisvaara!

Pysäytä sähkömoottori turvallisuusyistyä ennen ruohonkeruusäiliön poistamista.

- Irrota ruohonkeruusäiliö. (⇒ 7.1)
- Avaa ruohonkeruusäiliö sulkukorvakkeesta (1). Käännä ruohonkeruusäiliön yläosa (2) auki ja pidä sitä paikallaan. Käännä ruohonkeruusäiliötä taakse ja tyhjennä leikkuujäte.
- Sulje ruohonkeruusäiliö.
- Kiinnitä ruohonkeruusäiliö. (⇒ 7.1)

11. Huolto

11.1 Yleistä



Loukkaantumisvaara!

Noudata kappaleen "Turvallisuutesi vuoksi" turvaohjeita (⇒ 4.).

Ammattiliikkeen suorittama vuosittainen huolto:

Ammattiliikkeen tulisi tarkastaa ruohonleikkuri vuosittain. STIHL suosittelee STIHL-ammattiliikettä.

11.2 Laitteen puhdistus



Huoltoväli: jokaisen käyttökerran jälkeen

- Sijoita ruohonleikkuri tukevalle, suoralle ja tasaiselle alustalle.

- Irrota ruohonkeruusäiliö. (⇒ 7.1)
- Käännä ruohonleikkuri (1) kyljelleen laitteen alapuolen puhdistusta varten.
- Puhdista laite vain vedellä, harjalla tai pyyhkeellä. Irrota runkoon tarttuneet ruohojäänteet puutikulla. Käytä tarvittaessa erikoispuhdistusainetta (esimerkiksi STIHLin erikoispuhdistusainetta).
- Älä suuntaa (painepesurin) vesisuihkua kytkimiin, moottorin osiin, tiivisteisiin ja laakerikohtiin.

11.3 Sähkömoottori ja pyörät

Sähkömoottori ei kaipaa huoltoa.

Pyörien laakerit eivät vaadi huoltoa.

11.4 Työntöaisan yläosa

Huoltoväli:

ennen jokaista käyttökertaa

Tarkasta työntöaisan yläosan vauriot – siinä on eristyspinnoite. Jos se pääsee vaurioitumaan, älä ota ruohonleikkuria käyttöön ja vaihda työntöaisan yläosa.

11.5 Leikkuuterän huolto

Huoltoväli:

ennen jokaista käyttökertaa

! **Loukkaantumisvaara!** Tarkasta terän vauriot ennen jokaista käyttökertaa. Terä täytyy vaihtaa uuteen, jos siinä näkyy uria tai säröjä tai kulumisrajat on saavutettu tai alitettu.

- Käännä ruohonleikkuri kyljelleen. (⇒ 11.2)

- Puhdista leikkuuterä (1), tarkista mahdolliset vauriot (urat tai säröt) ja kuluneisuus ja vaihda se tarvittaessa.
- Tarkasta **terän paksuus** **A** useasta kohdasta työntömitalla. Mittaa varsinkin terän siipien alue. **A** > 1,6 mm
- Aseta viivain (2) terän etureunalle ja mittaa **kuluneisuus** **B**. **B** < 5 mm

11.6 Leikkuuterän irrotus ja asennus



! Loukkaantumisvaara!

! Käytä kaikissa leikkuuterään kohdistuvissa töissä sopivia suojakäsineitä.

- Käännä ruohonleikkuri kyljelleen leikkuuterään kohdistuvia töitä varten. (⇒ 11.2)

1 Irrotus:

- Pidä toisella kädellä kiinni leikkuuterästä (1).
- Kierrä teräruuvi (2) irti ja poista vääntiön (3) ja leikkuuterän (1) kanssa.

2 Asennus:



Loukkaantumisvaara!

Tarkasta terän kunto (vauriot ja kuluneisuus) ennen asennusta ja vaihda tarvittaessa. (⇒ 11.5) Leikkuuterä asennetaan kuvan mukaisesti ylöstaivutetut teräsiivet ylöspäin (laitteeseen päin). Noudata tarkasti teräruuvien määrättyä kiristystiukkuutta, sillä leikkuutyökalun kiinnityksen pitävyyttä riippuu siitä. Varmista teräruuvi lisäksi **Loctite 243** - kierrelukitteella.

Uusi teräruuvi ja vääntiö aina terän vaihdon yhteydessä.

- Puhdista terän vastinpinta, vääntiö ja teräholkki.
- Aseta leikkuuterä (1) ylöstaivutetut siivet ylöspäin teräholkille. Sijoita teräholkin ohjaintapit (4) leikkuuterän aukkoihin.
- Pidä leikkuuterästä (1) kiinni yhdellä kädellä ja aseta vääntiö (3) paikalleen.
- Kierrä teräruuvi (2) kiinni ja kiristä se. Teräruuvien **kiristystiukkuus**: 15 - 20 Nm

11.7 Leikkuuterän teroitus

STIHL suosittelee jättämään leikkuuterän teroituksen ammattilaisen tehtäväksi. Jos terä teroitetaan väärin (esimerkiksi väärä teroituskulma tai epätasapaino), laitteen toiminta häiriintyy.

Teroitusohjeet:

- Irrota leikkuuterä. (⇒ 11.6)

- Jäähdytä leikkuuterää teroituksen aikana esimerkiksi vedellä. Terä ei saa sinistyä, koska silloin sen leikkuukestävyys heikkenee.
- Teroita terä tasaisesti epätasapainon aiheuttaman värinän välttämiseksi.
- Noudata 30°:n teroituskulmaa.
- Poista mahdollinen hiontajäyste leikkuusärmästä teroituksen jälkeen hiennolla hiomapaperilla.

11.8 Säilytys (talvisäilytys)

Säilytä laitetta kuivassa, suljetussa ja pölyttömässä tilassa. Varmista, että lapset eivät pääse siihen käsiksi.

Sijoita ruohonleikkuri varastoon aina käyttöturvallisena. Käännä tarvittaessa työntöaisa kasaan.

Tarkista, että kaikki mutterit, pultit ja ruuvit on kiristetty, vaihda epäselvät varoitustarrat laitteeseen ja tarkasta koko kone kuluneisuuden tai vaurioiden varalta. Vaihda kuluneet tai vialliset osat.

Laitteen mahdolliset toimintahäiriöt tulee korjata aina ennen varastointia.

Huolehdi seuraavista kohteista ennen ruohonleikkurin pitempää varastointia (talvisäilytys):

- Puhdista huolellisesti kaikki laitteen ulkopuoliset osat.
- Öljyä tai rasvaa hyvin kaikki liikkuvat osat.

12. Kuljetus

12.1 Kuljetus



Loukkaantumisvaara!

Noudata luvun "Turvallisuutesi vuoksi" turvaohjeita ennen kuljetusta. (⇒ 4.)

Pue päälle sopiva suojavaatetus (turvajalkineet ja tukevat käsineet) ennen kuljetusta.

Irrota aina verkkojohto ennen nostamista ja kuljetusta.

Laitteen kantaminen:

- Kanna ruohonleikkuria pitäen yhdellä kädellä kiinni kuljetuskahvasta (1) ja toisella kädellä kotelosta (2). Pidä vartalosi, varsinkin jalat, aina riittävän etäällä leikkuuterästä.

tai

- Kanna ruohonleikkuria pitäen yhdellä kädellä kiinni kuljetuskahvasta (1).

Laitteen sitominen kiinni:

- Varmista sopivilla kiinnitysvälineillä, että ruohonleikkuri ja ruohonkeruusäiliö pysyvät kuljetusalustalla.
- Kiinnitä vaijerit tai hihnat kuljetuskahvaan (1) ja työntöaisan alaosiin (3).

13. Kulumisen minimointi ja vaurioiden ehkäisy

Tärkeitä huolto- ja hoito-ohjeita

Käsin ohjattava ja sähkökäyttöinen ruohonleikkuri (STIHL RME)

STIHL ei vastaa sellaisista esine- ja henkilövahingoista, jotka ovat aiheutuneet käyttöohjekirjassa annettujen ohjeiden (erityisesti turvallisuutta, käyttöä ja huoltoa koskevat ohjeet) laiminlyönnistä tai hyväksymättömien lisä- tai vaihto-osien käytöstä.

Noudata ehdottomasti seuraavia ohjeita STIHL-laitteen vaurioiden ja liiallisen kulumisen välttämiseksi:

1. Kulutusosat

STIHL-laitteen jotkut osat altistuvat luonnolliselle kulumiselle myös ohjeenmukaisessa käytössä, ja ne on vaihdettava ajoissa käyttötavan ja -ajan mukaan.

Näitä osia ovat esimerkiksi

– terä.

2. Tämän käyttöoppaan noudattaminen

STIHL-laitetta tulee käyttää, huoltaa ja säilyttää tarkoin tätä käyttöopasta noudattaen. Käyttäjä on itse vastuussa kaikista vaurioista, jotka aiheutuvat turvallisuus-, käyttö- ja huolto-ohjeiden laiminlyönnistä.

Tämä koskee erityisesti seuraavia kohtia:

- riittämättömästi mitoitettu virtajohto (läpimitta)
- väärä sähköliitäntä (jännite)
- tuotteeseen ilman STIHLin hyväksyntää tehdyt muutokset

- sellaisten työkalujen ja tarvikkeiden käyttö, jotka eivät ole laitteelle hyväksytyjä tai sopivia taikka jotka ovat laadultaan heikkoja
- tuotteen määräystenvastainen käyttö
- tuotteen käyttö urheilutilaisuuksissa tai kilpailuissa
- tuotteen viallisten rakenneosien jatketun käytön aiheuttamat seurausvauriot.

3. Huoltotyöt

Kaikki luvussa "Huolto" selostetut työt tulee suorittaa säännöllisesti.

Huoltotyöt, joita käyttäjä ei voi itse suorittaa, tulee jättää ammattiliikkeen tehtäväksi.

STIHL suosittelee teettämään huoltotyöt ja korjaukset vain STIHL-ammattiliikkeessä.

STIHL-ammattiliikkeissä saat aina ammattitaitoisen ja asiantuntevan palvelun.

Näiden töiden laiminlyönti voi aiheuttaa vaurioita, joista käyttäjä on itse vastuussa.

Näitä ovat esimerkiksi

- sähkömoottorin vauriot, jotka johtuvat jäähdytysilman ohjaimen (imuaukkojen) puutteellisesta puhdistuksesta
- epäasianmukaisesta säilytyksestä johtuvat korroosio- tai muut seurannaisvauriot
- heikkolaatuisten varaosien käytöstä aiheutuneet laitevauriot
- liian myöhään tai puutteellisesti suoritettu huollosta johtuvat vauriot tai vauriot, jotka johtuvat muissa kuin ammattiliikkeiden korjaamoissa suoritetuista huolto- tai korjaustoista.

14. Ympäristönsuojelu



Ruohosilppu ei kuulu jätteiden joukkoon, vaan se tulee kompostoida.

Pakkaukset, laite ja lisävarusteet on valmistettu kierrätettävistä materiaaleista ja ne tulee hävittää asiaankuuluvasti.

Materiaalijätteiden lajittelu säästää ympäristöä ja edistää kierrätettävien hyötymateriaalien uudelleenkäyttöä. Tästä syystä loppuun käytetty laite tulee toimittaa kierrätyskeskukseen. Noudata hävittämisessä erityisesti kappaleen "Hävittäminen" (⇒ 4.9) ohjeita.

Saat tietoa jätteiden asianmukaisesta hävittämisestä ammattiliikkeestä tai kierrätyskeskuksista.

15. Varaosat

Leikkuuterä:
6311 702 0100

Teräruuvi:
9018 321 1800

Vääntiö:
6311 702 0600



Teräruuvi ja vääntiö täytyy uusien terän vaihdon yhteydessä. Varaosia on saatavissa STIHLin ammattiliikkeestä.

16. Vaatimustenmukaisuusvakuutus

16.1 EU-vaatimustenmukaisuusvakuutus Ruohonleikkuri STIHL RME 235.0

STIHL TiroL GmbH
Hans Peter Stihl-Straße 5
6336 Langkampfen
Itävalta

vakuuttaa yksinomaisena vastuullisena, että kone

- Rakenne: sähkökäyttöinen ruohonleikkuri
- Tuotemerkki: STIHL
- Tyyppi: RME 235.0
- Leikkuuleveys: 33 cm
- Sarjatunnus: 6311

täyttää direktiivien 2006/42/EC, 2000/14/EC, 2014/30/EU ja 2011/65/EU asianmukaiset säännökset, ja se on kehitetty ja valmistettu seuraavien valmistuspäivänä voimassa olevien normiversioiden mukaan: EN 60335-1, EN 60335-2-77, EN 55014-1, EN 55014-2, EN 61000-3-2 ja EN 61000-3-3.

Ilmoitetun laitoksen nimi ja osoite:
TÜV Rheinland LGA Products GmbH
Tillystraße 2
90431 Nürnberg, Saksa

Mitatun ja taatun äänentehotason mittaamisessa on noudatettu direktiivin 2000/14/EC liitettä VIII.

- Mitattu äänentehotaso: 92,1 dB(A)
- Taattu äänentehotaso: 93 dB(A)

Teknisiä asiakirjoja säilytetään STIHL Tirol GmbH:ssä.

Valmistusvuosi ja sarjanumero on merkitty ruohonleikkuriin.

Langkampfen, 29.04.2021

STIHL Tirol GmbH

psta

Matthias Fleischer, tutkimus- ja tuotekehitysjohtaja

psta

Sven Zimmermann, laatujohtaja

17. Tekniset tiedot

Tyyppi	RME 235.0
Sarjatunnus:	6311
Moottorin rakenne	sähkömoottori
Moottorityyppi	AC-yleismoottori
Jännite	230 V~
Ottoteho	1200 W
Taajuus	50 Hz

Tyyppi	RME 235.0
Sulake	5 A
Suojausluokka	II
Suojauslaji	IPX 4
Leikkuukoneisto	teräpalkki
Leikkuuleveys	33 cm
Leikkuukoneiston kierros-luku	3200 1/min
2000/14/EC / S.I. 2001/1701:	
Taattu äänentehotaso L_{WA}	93 dB(A)
Epävarmuus K_{WA} :	0,8 dB(A)
Mittaus standardin EN 60335-2-77 mukaan	
Äänenpainetaso työpisteessä L_{pA}	80 dB(A)
Epävarmuus K_{pA}	2 dB(A)
Teräpalkin veto	jatkuva
Teräruuvien kiristystiukkuus	15 - 20 Nm
Etupyörien \emptyset	140 mm
Takapyörien \emptyset	170 mm
Ruohonkeruusäiliön täyttömäärä	30 l
Leikkuukorkeus	25 - 65 mm
Ilmoitettu värinäarvo standardin EN 12096 mukaan:	
Mitattu arvo a_{hw}	1,40 m/s ²
Epävarmuus K_{hw}	0,70 m/s ²
Mittaus standardin EN 20643, EN 60335-2-77 mukaan:	
Pituus	127 cm
Leveys	37 cm
Korkeus	108 cm
Paino	13 kg
	14 kg (GB)

17.1 REACH

REACH on EY-asetus kemikaalien rekisteröinnistä, arvioinnista ja hyväksynnästä.

Tietoja REACH-asetuksen (EY) nro 1907/2006 vaatimusten täyttämisestä on osoitteessa www.stihl.com/reach

18. Vianetsintä

✘ Käännä tarvittaessa ammattiliikkeen puoleen. STIHL suosittelee STIHL-liikettä.

Häiriö:

Sähkömoottori ei käynnisty

Mahdollinen syy:

- Ei verkkojännitettä
- Liitäntäjohto, pistoke, pistorasia tai kytkin viallinen
- Käynnistysnappia ei painettu
- Liian pitkä tai kostea ruoho ylikuormittaa sähkömoottoria
- Sähkömoottorin suojaus on aktivoitunut
- Leikkuukotelo on tukkeutunut
- Pistokkeen sulake viallinen (GB-malli)

Korjaus:

- Tarkasta sulake (⇒ 10.1)
- Tarkasta ja tarvittaessa vaihda johto, pistoke tai kytkin (⇒ 10.1)
- Paina käynnistysnappia (⇒ 10.3)
- Älä käynnistä sähkömoottoria korkeassa ruohikossa ja säädä leikkuukorkeus sopivaksi (⇒ 7.4)
- Anna laitteen jäähtyä (⇒ 8.4)
- Puhdista leikkuukotelo (⇒ 11.2)
- Vaihda pistokkeen sulake (✘)

Häiriö:

Toistuvasti laukeava verkkosulake

Mahdollinen syy:

- Epäasianmukainen liitäntäjohto
- Verkon ylikuormitus
- Laite on ylikuormittunut, koska leikattu liian pitkää tai liian märkää ruohoa

Korjaus:

- Käytä asianmukaista liitäntäjohtoa (⇒ 10.1)
- Liitä laite toiseen virtapiiriin
- Sovita leikkuukorkeus ja -nopeus leikkuuolosuhteita vastaaviksi (⇒ 7.4)

Häiriö:

Voimakas värinä käytön aikana

Mahdollinen syy:

- Teräruuvi on löystynyt
- Terää ei ole tasapainotettu

Korjaus:

- Kiristä teräruuvi (⇒ 11.6)
- Teroita (tasapainota) tai vaihda terä (⇒ 11.7)

Häiriö:

Epätasainen leikkuujälki, ruoho kellastuu

Mahdollinen syy:

- Leikkuuterä tylsä tai kulunut
- Etenemisnopeus leikkuukorkeuden suhteen on liian suuri

Korjaus:

- Teroita tai vaihda leikkuuterä (⇒ 11.7)
- Vähennä etenemisnopeutta ja/tai valitse oikea leikkuukorkeus (⇒ 7.4)

Häiriö:

Käynnistäminen on vaikeaa tai sähkömoottorin teho heikkenee

Mahdollinen syy:

- Ruohonleikkuu liian korkeassa tai liian märässä ruohikossa
- Leikkuukotelo on tukkeutunut

Korjaus:

- Sovita leikkuukorkeus ja -nopeus leikkuuolosuhteita vastaaviksi (⇒ 7.4)
- Puhdista ruohonleikkurin kotelo (vedä puhdistusta varten verkkopistoke irti) (⇒ 11.2)

Häiriö:

Poistokanava tukossa

Mahdollinen syy:

- Leikkuuterä kulunut
- Ruohonleikkuu liian korkeassa tai liian märässä ruohikossa

Korjaus:

- Vaihda leikkuuterä (⇒ 11.7)
- Sovita leikkuukorkeus ja leikkuunopeus leikkuuolosuhteita vastaaviksi (⇒ 7.4)

19. Huolto-ohjelma

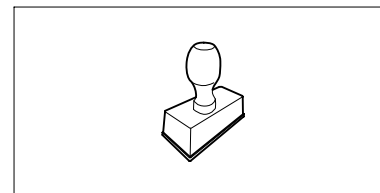
19.1 Luovutustodistus

Malli: _____

Sarjanumero:

□	□	□	□	□	□	□	□	□	□
---	---	---	---	---	---	---	---	---	---

Päiväys: □ □ □ □ □ □ □ □ □ □



Seuraava huolto

Päiväys: □ □ □ □ □ □ □ □ □ □


19.2 Huoltotodistus



Anna nämä käyttöohjeet huoltotöiden yhteydessä STIHL-ammattiliikkeelle.

Ammattiliikkeessä huoltotöiden suorittaminen merkitään kenttiin.

 Huolto suoritettu

 Seuraavan huollon päivämäärä

Kære kunde

Vi er glade for at du har valgt STIHL. Vi udvikler og producerer vores produkter i topkvalitet efter vores kunders behov. Dermed kan vi fremstille produkter med høj pålidelighed, selv ved ekstrem belastning.

STIHL står også for topkvalitet, når det drejer sig om service. Vores faghandel garanterer en kompetent rådgivning og instruktion samt en omfattende teknisk hjælp.

Vi takker for din tillid og håber, at du får stor glæde af dit STIHL produkt.

Dr. Nikolas Stihl

VIGTIGT! SKAL LÆSES FØR BRUG OG OPBEVARES.

1. Indholdsfortegnelse

Om denne betjeningsvejledning	108
Generelt	108
Vejledning i læsning af betjeningsvejledningen	108
Landevarianter	108
Beskrivelse af maskinen	108
Sikkerhed	109
Generelt	109
Advarsel – fare på grund af elektrisk strøm	110
Beklædning og udstyr	110
Transport af maskinen	111
Før arbejdet påbegyndes	111
Under arbejdet	111
Vedligeholdelse, rengøring, reparation og opbevaring	113
Opbevaring, hvis maskinen ikke skal bruges i længere tid	114
Bortskaffelse	114
Symbolforklaring	114
Klargøring af maskinen	114
Samlet plæneklipperen	114
Betjeningsdele	115
Græsopsamlingskurv	115
Niveaumåler	115
Styrehåndtag	115
Central klippehøjdeindstilling	115
Arbejdsanvisninger	115
Generelt	115
Korrekt belastning af el-motoren	116
Når kniven blokerer	116
El-motorens termiske overbelastningsbeskyttelse	116
Brugerens arbejdsområde	116
Sikkerhedsanordninger	116
Beskyttelsesudstyr	116
Tohåndsbetjening	116
El-motorens udløbsbremse	116
Tag maskinen i brug	117
Elektrisk tilslutning	117
Trækaftastning	117
Sådan startes plæneklipperen	117
Sådan slukkes plæneklipperen	117
Tøm græsopsamlingskurv	117
Vedligeholdelse	117
Generelt	117
Rengør maskinen	117
Elmotor og hjul	118
Styrehåndtagets øverste del	118
Vedligeholdelse af kniven	118
Afmonter og monter kniven	118
Slib kniven	118
Opbevaring (vinterpause)	119
Transport	119
Transport	119
Sådan minimerer du slid og undgår skader	119
Miljøbeskyttelse	120
Standardreserve dele	120
Overensstemmelseserklæring	120
EC-overensstemmelseserklæring plæneklipper STIHL RME 235.0	120
Tekniske data	121
REACH	121
Fejlsøgning	121
Serviceplan	122
Leveringsbekræftelse	122
Servicebekræftelse	122

2. Om denne betjeningsvejledning

2.1 Generelt

Denne betjeningsvejledning er producentens **originale betjeningsvejledning** i henhold til EU-direktivet 2006/42/EC.

STIHL arbejder hele tiden på at videreudvikle sit produktudbud. Vi forbeholder os derfor ret til at ændre form, teknik og udstyr.

Der kan af samme årsag ikke gøres krav gældende på basis af anvisningerne eller illustrationerne i dette hæfte.

I denne betjeningsvejledning kan der være beskrevet modeller, som ikke fås i alle lande.

Denne betjeningsvejledning er beskyttet af ophavsretten. Der tages forbehold for alle rettigheder, især retten til mangfoldiggørelse, oversættelse og behandling med elektroniske systemer.

2.2 Vejledning i læsning af betjeningsvejledningen

Billeder og tekst beskriver særlige betjeningstrin.

Alle billedsymboler, som er anbragt på maskinen, forklares i denne betjeningsvejledning.

Synsretning:

Synsretning under anvendelsen "**venstre**" og "**højre**" i betjeningsvejledningen: Brugeren står bag maskinen og ser fremad i køreretningen.

Kapitelhenvisning:

Der henvises med en pil til særlige kapitler og underkapitler med yderligere forklaringer. I det følgende eksempel ses en henvisning til et kapitel: (⇒ 3.)

Markering af tekstafsnit:

De beskrevne anvisninger kan være markeret som vist i de følgende eksempler.

Betjeningstrin, som kræver, at brugeren griber ind:

- Løsn skruen (1) med en skruetrækker, tryk på grebet (2) ...

Generelle oplysninger:

- Anvendelse af produktet ved sportsarrangementer eller i konkurrencer

Tekster med særlig betydning:

Tekstafsnit med særlig betydning er markeret med ét af de symboler, der er beskrevet i det følgende, for at fremhæve dem i betjeningsvejledningen.



Fare!

Risiko for ulykker og alvorlig personskade. Der kræves særlig opmærksomhed.



Advarsel!

Risiko for personskade. Særlig opmærksomhed forhindrer mulige eller sandsynlige kvæstelser.



Forsigtig!

Lette personskader og tingsskader kan forhindres med en bestemt adfærd.



Bemærk

Information, som sikrer bedre udnyttelse af maskinen og forhindrer mulige fejlbetjening.

Tekst med henvisning til billeder:

Billeder, som forklarer, hvordan du bruger maskinen, finder du forrest i betjeningsvejledningen.

Kamerasymbolet anvendes til at forbinde billederne på billedsiderne med det pågældende tekstafsnit i betjeningsvejledningen.



2.3 Landevarianter

STIHL leverer maskinerne med forskellige stik og kontakter afhængigt af leveringslandet.

På billederne er maskinerne forsynet med europæiske stik. Maskinernes tilslutning med andre typer stik sker analogt.

3. Beskrivelse af maskinen



- 1 Styrehåndtagets øverste del
- 2 Motorstopbøjle
- 3 Drejegrab
- 4 Udkastningsspjæld
- 5 Transportgreb
- 6 Motorhjel
- 7 Forhjul
- 8 Kabinet
- 9 Baghjul

- 10 Styrehåndtagets nederste del
- 11 Kabelklips
- 12 Græsopsamlingskurv
- 13 Kabelføring
- 14 Niveaumåler
- 15 Startknap
- 16 Nettlelutning
- 17 Trækafastning
- 18 Højdeindstillingsarm

4. Sikkerhed

4.1 Generelt



Forholdsregler til forebyggelse af ulykker skal følges under arbejdet med maskinen.



Hele betjeningsvejledningen skal læses grundigt igennem før den første ibrugtagning.

Betjeningsvejledningen skal opbevares omhyggeligt til senere brug.

Sikkerhedsforanstaltningerne tjener til din egen sikkerhed, opstillingen er dog ikke udtømmende. Brug kun maskinen på fornuftig og ansvarlig vis, og husk på, at brugeren er ansvarlig for skader på personer eller disses ejendom.

Bliv fortrolig med betjeningsselementerne og brugen af maskinen.

Maskinen må kun anvendes af personer, som har læst betjeningsvejledningen, og som derfor ved, hvorledes maskinen skal betjenes. Hver bruger bør sikre sig faglig korrekt og praktisk instruktion om maskinens brug før ibrugtagningen. Brugeren skal instrueres af sælgeren eller en anden fagmand om, hvordan maskinen anvendes sikkert.

Brugeren skal under instruktionen gøres særligt opmærksom på, at omhu og koncentration er vigtigt under maskinens brug.

Selvom du betjener denne maskine efter forskrifterne, er der altid restriksi.



Livsfare på grund af kvælning!
Børn, der leger med emballagematerialet, risikerer at blive kvalt i det.
Emballagemateriale SKAL holdes væk fra børn.

Giv eller udlån kun maskinen samt påbygningsmaskinerne til personer, der er instruerede heri, eller som er fortrolige med betjeningen af den.

Betjeningsvejledningen er en del af maskinen og skal altid følge med.

Maskinen må kun anvendes af personer, der er udhvilede og i god fysisk og psykisk stand. Er du ikke helt rask, bør du spørge din læge, om du må arbejde med maskinen. Undlad at arbejde med maskinen efter indtagelse af alkohol, narkotika eller medicin, der nedsætter reaktionsevnen.

Kontrollér, at brugeren fysisk, sensorisk og mentalt er i stand til at betjene maskinen og arbejde med den. Hvis brugerens fysiske, sensoriske eller mentale evner er nedsatte, må brugeren kun arbejde med plæneklipperen under opsyn eller efter anvisninger fra en ansvarlig person.

Kontrollér, at brugeren er myndig eller er under uddannelse i henhold til de nationale regler og under opsyn.

Maskinen er beregnet til privat brug.

OBS – risiko for ulykker!

Maskinen er kun dimensioneret til græsslåning. Den må ikke anvendes til andre formål, da det kan være farligt eller medføre skader på maskinen.

Maskinen må pga. risiko for personskader ikke anvendes til følgende arbejdsopgaver (ikke komplet opstilling):

- trimning af buske, hække eller lignende,
- skæring af slyngplanter,
- plænepleje på tage og altankasser,
- granulering og findeling af grene og hækkeklip,
- rensning af fortove (sugning, blæsning),
- udjævning af jordbunker som f. eks. muldvarpeskud.
- transport af afskåret græs, undtagen i den dertil indrettede græsopsamlingskurv.

Af hensyn til sikkerheden bortfalder denne garanti ved enhver ændring på maskinen, undtagen ved en faglig korrekt montering af tilbehør, som er godkendt af STIHL. Du kan få mere at vide om godkendt tilbehør hos din STIHL-forhandler.

Det er ikke tilladt at foretage ændringer på maskinen, som ændrer forbrændingsmotorens eller el-motorens effekt eller omdrejningstal.

Der må ikke transporteres ting, dyr eller personer med maskinen.

Vær specielt forsigtigt ved anvendelse i offentlige anlæg, parkanlæg, på sportspladser, ved veje samt i land- og skovbrug.



OBS! Vibrationer udgør en sundhedsfare! For stor belastning pga. vibrationer kan

medføre kredsløbs- eller nerveskader, især hos mennesker med kredsløbsproblemer. Opsøg straks læge, hvis der opstår symptomer, som kan være udløst af vibrationsbelastninger. Sådanne symptomer, der primært opstår i fingrene, hænderne eller i håndleddene, er f.eks. (ikke komplet opstilling):

- Følelsesløshed
- Smerter
- Muskelsvaghed
- Misfarvninger af huden
- Ubehagelig kriblen

Hold styrehåndtaget fast, men ikke krampagtigt, med begge hænder på de beregnede stedet på håndtaget under kørslen.

Planlæg arbejdstiderne således, at større belastninger i længere tid undgås.

4.2 Advarsel – fare på grund af elektrisk strøm

OBS! **risiko for elektrisk stød!**

Strømkabel, netstik, tænd- / slukkontakt og tilslutningsledning er særligt vigtige for den elektriske sikkerhed. Beskadigede kabler, muffe og stik eller tilslutningsledninger, der ikke overholder forskrifterne, må ikke anvendes, da der er risiko for elektrisk stød.

Kontroller regelmæssigt tilslutningsledningen for skader eller slid (skørhed).



Maskinen må kun tages i brug med netledningen rullet helt ud.

Ved anvendelse af en kabeltromle skal netledningen være rullet helt ud før brug.

Anvend aldrig beskadigede forlængerledninger. Udskift defekte kabler med nye, og udfør ikke reparationer på forlængerledningerne.

Maskinen må kun anvendes, hvis ledningerne er beskadigede eller slidte. Kontroller især netledningen for skader og ældning.

Vedligeholdelses- og reparationsarbejder på netledningerne må kun udføres af et særligt uddannet personale.

Fare for elektrisk stød!

Tilslut aldrig en beskadiget ledning til elnettet, og berør ikke en beskadiget ledning, før den er koblet fra elnettet.

Fare for elektrisk stød!

Beskadigede kabler, koblinger og stik eller tilslutningsledninger, der ikke opfylder forskrifterne, må ikke anvendes.

Klippeværktøjet (knivene) må først berøres, når der er slukket for strømmen til maskinen.

Sørg altid for, at de anvendte ledninger er tilstrækkeligt sikrede.



Selvom elmotoren er stænkvangsbeskyttet, må der ikke arbejdes med maskinen i regnvejre eller våde omgivelser.

Brug kun fugtighedsisolerede forlængerledninger til udendørs brug, som passer til maskinen (⇒ 10.1).

Hold kablet langt væk fra kniven under græsslåning.

Tag tilslutningsledningen ud af stikket og stikdåsen, og træk ikke i tilslutningsledningen.

Når maskinen tilsluttes et generatoraggregat, skal det sikres, at den ikke kan beskadiges af strømudsving.

Tilslut kun maskinen til en strømforsyning, som er beskyttet af et fejlstrømsrelæ med en brydestrøm på maksimalt 30 mA. Yderligere oplysninger fås hos elinstallatøren.

Af hensyn til den elektriske sikkerhed skal elkablet altid være korrekt monteret på styrehåndtaget.

4.3 Beklædning og udstyr



Bær altid solide sko med skridsikre såler under arbejdet. Gå aldrig barfodet eller iført sandaler.



Bær altid solide handsker, og bind langt hår op (tørklæde, hue etc.) under vedligeholdelses- og rengøringsarbejder samt under transport af maskinen.



Bær handsker og egnede beskyttelsesbriller under knivens slibning!

Maskinen må betjenes, når brugeren bærer lange bukser og tætsiddende tøj.

Bær aldrig løstsiddende tøj, som kan hænge fast i de bevægelige dele (betjeningsgreb) – heller ikke smykker, slips eller halstørklæder.

4.4 Transport af maskinen

Anvend altid handsker under arbejdet for at undgå at komme til skade på varme maskindele eller de skarpe kanter.

Sluk for maskinen, før den transporteres, afbryd elkablet, og vent, til kniven er standset.

Transporter kun maskinen med afkølet el-motor.

Vær opmærksom på maskinens vægt, og anvend egnede hjælpemidler til læsning efter behov (læsseramper eller løfteanordninger).

Fastgør maskinen og medtransporterede dele (f. eks. græsopsamlingskurv) ved transport på et lad vha. tilstrækkeligt dimensionerede hjælpemidler (seler, reb osv.).

Undgå at berøre kniven, når plæneklipperen løftes og bæres.

Følg især henvisningerne i kapitlet "Transport". Her beskrives, hvordan maskinen skal løftes eller fastsures. (⇒ 12.1)

Under en transport af maskinen skal gældende forskrifter overholdes, især hvad angår ladningens sikkerhed samt transport af ting på lastarealet.

4.5 Før arbejdet påbegyndes

Kontrollér, at det kun er personer, som har læst betjeningsvejledningen, der anvender maskinen.

Vær opmærksom på kommunale forskrifter for anvendelsestider for havemaskiner med forbrændingsmotor eller elektrisk motor.

Undersøg hele det arbejdsområde, hvor maskinen skal anvendes, og fjern sten, kæppe, ståltråd, kødben og andre fremmedlegemer, som kan blive slynget væk af maskinen. Forhindringer (f.eks. træstykker, rødder) overses nemt i højt græs.

Marker derfor før arbejdet med maskinen alle objekter, der er skjult i græsplænen (forhindringer), som ikke kan fjernes.

Før maskinen tages i brug, skal defekte, slidte og beskadigede dele udskiftes. Ulæselige eller beskadigede fare- og advarselsanvisninger på maskinen skal udskiftes. Din STIHL-forhandler har ekstra skilte og alle andre reservedele på lager.

Maskinen må kun anvendes i driftssikker tilstand. Kontrollér før hver brug,

- om maskinen er i forskriftsmæssig monteret tilstand,
- om klippeværktøjet og hele klippeenheden (kniv, fastgøreselsesdele, klippeanordningskabiner) er i orden. Kontrollér især, om komponenterne sidder korrekt, om de er beskadigede (hakker eller ridser) eller slidte.
- sikkerhedsudstyret (f.eks. udkastningsspjæld, kabinet, styrehåndtag, motorstopbøjle) er i orden og fungerer korrekt.
- om græsopsamlingskurven er ubeskadiget og korrekt monteret; en beskadiget græsopsamlingskurv må ikke anvendes.
- om elmotorens udløbsbremse fungerer.

Udfør alt nødvendigt arbejde, eller kontakt en forhandler. STIHL anbefaler en STIHL-forhandler.

Følg anvisningerne i kapitlet "Fare på grund af elektrisk strøm" (⇒ 4.2).

Tænd aldrig elmotoren uden korrekt monteret kniv. Risiko for overophedning af elmotoren!

4.6 Under arbejdet



Brug aldrig maskinen, når der er dyr eller personer, især børn, i fareområdet.

De kontakter og sikkerhedsanordninger, som er installeret på maskinen, må ikke fjernes eller kortsluttes. Sørg især for, at motorstopbøjlen aldrig er fastgjort på styret (f. eks. ved at binde den fast).

Styrehåndtaget skal altid være monteret korrekt og må ikke ændres. Anvend aldrig maskinen, hvis styrehåndtaget er klappet om.

Fastgør aldrig ting til styrehåndtaget (f. eks. arbejdstøj). Forlængerledninger må ikke vikles om styrehåndtaget.

Arbejd kun i dagslys eller med god kunstig belysning.

Arbejd ikke ved temperaturer under +5° C. Der må ikke arbejdes med maskinen i regnvej, tordenvej, og især ikke når der er risiko for lynnedslag.

Er undergrunden våd, er der større risiko for uheld pga. dårligere fodfæste. Arbejd ekstra forsigtig her, så du ikke skrider ud. Undgå om muligt at anvende maskinen, hvis undergrunden er fugtig.

Lad ikke maskinen stå ubeskyttet i regnen.

Tænd for maskinen.

Start maskinen forsigtigt iht. henvisningerne i kapitlet "Ibrugtagning af maskinen". (⇒ 10.)

Sørg for, at der er rigelig afstand mellem fødder og klippeværktøj.

Maskinen skal stå på et plant underlag, når den tændes.

Maskinen må ikke vippes før og under starten.

Start ikke elmotoren, hvis udkastningskanalen ikke er dækket af udkastningsspjældet eller græsopsamlingskurven.

Undgå at slukke og tænde apparatet hyppigt inden for et kort tidsrum, og "leg" ikke med startknappen. Risiko for overophedning af elmotoren!

Arbejde på skråninger:

Bearbejd altid skråningerne på tværs og aldrig på langs.

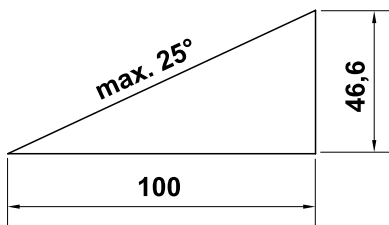
Mister brugeren kontrollen over maskinen ved en græsslåning på langs, kan brugeren blive kørt over af maskinen.

Vær ekstra forsigtig, når køreretningen på skråningen ændres.

Sørg altid for et godt fæste på skråninger, og undgå at arbejde på meget stejle skråninger.

Af sikkerhedsmæssige årsager må maskinen ikke anvendes på skråninger på over 25° (46,6 %). **Risiko for kvæstelser!**

En hældning på 25° svarer til en lodret stigning på 46,6 cm over en vandret længde på 100 cm.



Anvendelse:



OBS – Risiko for kvæstelser!

Hold aldrig hænder og fødder hen mod eller under de roterende dele. Rør aldrig den roterende kniv. Stå aldrig i nærheden af udkastningsåbningen. Den sikkerhedsafstand, som styrehåndtaget giver, skal altid overholdes.



Forsøg ikke at inspicere kniven, mens maskinen kører. Lad være med at åbne

udkastningsspjældet og/eller tage græsopsamlingskurven af, så længe klippeknaven drejer rundt. Den roterende kniv kan medføre kvæstelser.

Kør kun med maskinen i gangtempo, og løb aldrig med maskinen under arbejdet. Ved at køre hurtigt øges risikoen for at komme til skade ved at snuble, skride ud osv.

Vær ekstra forsigtig, når du vender maskinen om eller trækker den hen mod dig selv.

Risiko for at snuble!

Undlad at løfte eller bære maskinen med kørende elmotor eller med tilsluttet ledning.

Kør rundt om ting, der er skjult i græssets vækstlag (vandingssystemer, pæle, vandventiler, fundamenter, elektriske ledninger etc.). Kør aldrig over sådanne objekter.

Anvend maskinen særligt forsigtigt, når du arbejder i nærheden af skråninger, terrænkanter, lossepladser, grøfter, diger og dæmninger. Sørg især for at holde rigelig afstand til sådanne farlige steder.

Hvis klippeværktøjet eller maskinen støder på en forhindring eller et fremmedlegeme, skal el-motoren slås fra, stikket trækkes ud, og maskinen undersøges af en fagmand.



STOP

Vær opmærksom på klippeværktøjets efterløb, som varer i nogle sekunder.

Standt elmotoren,

- når maskinen skal vippes under transport over andre flader end græs,
- når du skubber maskinen hen til og væk fra græsfladen,
- før du tager græsopsamlingskurven af.
- før klippehøjden indstilles.



Sluk for elmotoren, træk stikket ud og kontrollér, at klippeværktøjet er standset helt,

- før du løsner blokeringer eller fjerner tilstoppelser i udkastningskanalen;
- når klippeværktøjet er stødt på et fremmedlegeme. Klippeværktøjet skal i så fald kontrolleres for eventuelle beskadigelser. Maskinen må ikke bruges med en beskadiget eller bøjet knivaksel eller elmotoraksel. **Risiko for kvæstelser på grund af defekte dele!**

- før maskinen kontrolleres, rengøres, eller der udføres arbejde på den (f.eks. indstilling af klippehøjden eller omklapning/indstilling af styrehåndtaget);
- før maskinen forlades eller står uden opsyn;
- før du løfter eller bærer maskinen;
- før transporten.
- hvis maskinen har ramt et fremmedlegeme eller ryster usædvanlig voldsomt. Kontrollér i givet fald maskinen, især skæremodulet (kniv, knivaksel, knivfastgørelse) for beskadigelser, og få maskinen repareret, før den genstartes, og der arbejdes med den.



Risiko for kvæstelse!

Kraftige vibrationer indikerer som regel en fejl. Maskinen må aldrig bruges med en beskadiget eller bøjet knivaksel eller med en beskadiget eller bøjet kniv. Har du ikke nok viden om reparation af maskinen, skal du få den repareret af en fagmand – STIHL anbefaler STIHL forhandleren.

Maskinen forårsager spændingsudsving, når den starter. Ved dårlige spændingsforhold kan den have indflydelse på andre apparater eller anordninger, der er tilsluttet samme strømkreds. I dette tilfælde skal der træffes passende foranstaltninger (f. eks. kan maskinen tilsluttes en anden strømkreds, eller den kan tilsluttes en kreds med lavere impedans).

4.7 Vedligeholdelse, rengøring, reparation og opbevaring



Maskinen skal slukkes, og stikket trækkes ud, før der udføres arbejde på maskinen, før indstilling eller rengøring af

maskinen, eller før det kontrolleres, om tilslutningsledningen er snoet eller beskadiget.

Før vedligeholdelsesarbejde, rengøring og opbevaring i lukkede rum skal maskinen køle helt af.

Rengøring:

Efter arbejdet skal hele maskinen gøres grundigt ren. (⇒ 11.2)

Eventuelle græsrester løsnes først med en pind. Maskinens underside renses med børste og vand.

Anvend aldrig en højtryksrenser, og rengør ikke maskinen under rindende vand (f. eks. med en haveslange). Brug ikke aggressive rengøringsmidler. Disse kan beskadige kunststof- og metaldelene og gøre brugen af din STIHL-maskine mindre sikker.

For at undgå brandfare skal området omkring køleluftåbningerne mellem elmotorens hjelm og kabinettet holdes fri for f.eks. græs, strå, mos, blade og udtrængende fedt.

Vedligeholdelsesarbejder:

Det er kun tilladt at udføre de vedligeholdelsesarbejder, der er anført i denne betjeningsvejledning; alt andet arbejde skal udføres af en forhandler. Hvis du ikke har tilstrækkelig viden herom eller mangler de nødvendige hjælpemidler, bedes du **altid** henvende dig til en forhandler.

STIHL anbefaler, at alle vedligeholdelsesarbejder og reparationer udelukkende udføres af en STIHL-forhandler.

STIHL-forhandlerne tilbydes jævnligt kurser og får stillet teknisk materiale til rådighed.

Anvend kun værktøj, tilbehør eller påbygningsmaskiner, som er godkendt af STIHL til maskinen eller teknisk lignende produkter. I modsat fald er der risiko for ulykker med personskader eller skader på maskinen til følge. Kontakt en forhandler, hvis du har spørgsmål.

Originalt værktøj og tilbehør samt originale reservedele fra STIHL er tilpasset optimalt til maskinen og brugerens behov. Originale STIHL-reservedele kendes på STIHL-reservedelsnummeret, på graveringen STIHL samt på STIHL-reservedelssymbolet. Symbolet kan også stå alene på mindre dele.

Sørg for, at advarsels- og henvisningsskilte er rene og læselige. Beskadigede eller bortkomne skilte skal udskiftes med nye originale skilte fra din STIHL-forhandler. Udskiftes en komponent med en ny, skal det sikres at den nye del forsynes med det samme skilt som den gamle.

Arbejder på skæremodulet må kun udføres med tykke arbejdshandsker og med stor omhu.

Sørg for, at alle møtrikker, bolte og skruer, især knivbolten, er fast tilspændte, så det er sikkert at bruge maskinen.

Kontrollér hele maskinen og græsopsamlingskurven for slid og beskadigelser regelmæssigt, især før den skal opbevares (f.eks. før vinterpausen).

Slidte og beskadigede dele skal udskiftes med det samme af hensyn til sikkerheden, så maskinen altid er i driftssikker tilstand.

Hvis der i forbindelse med vedligeholdelsesarbejdet har været fjernet komponenter eller beskyttelsesanordninger, skal disse omgående anbringes korrekt.

Kontroller regelmæssigt, om kniven sidder fast, er beskadiget eller slidt.

4.8 Opbevaring, hvis maskinen ikke skal bruges i længere tid

Den afkølede maskine skal opbevares i et tørt, lukket rum.

Kontrollér, om maskinen er beskyttet mod utilsigtet brug (f. eks. fra børn).

Maskinen skal gøres grundigt ren før pauser (f.eks. vinterpause).

Opbevar maskinen i en driftssikker tilstand.

4.9 Bortskaffelse

Sørg for korrekt bortskaffelse af den brugte maskine. Sørg for, at maskinen ikke kan anvendes længere før bortskaffelsen. Fjern især strømkablet og elkablet til elmotoren for at forebygge ulykker.

Risiko for kvæstelser på klippeværktøjet!

Lad aldrig udtjente plæneklippere være uden opsyn. Sørg for, at maskinen og klippeværktøjet opbevares utilgængeligt for børn.

5. Symbolforklaring



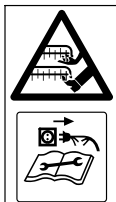
OBS!

Læs og følg betjeningsvejledningen og sikkerhedshenvisningerne inden ibrugtagning.



Risiko for kvæstelser!

Der må ikke være uvedkommende i fareområdet.



Risiko for kvæstelse!

Hold hænder og fødder væk fra knivene. Pas på; skarp kniv. Kniven roterer videre i nogle sekunder efter frakoblingen (motor-/ knivbremse). Sluk motoren, og træk stikket ud før arbejde på klippeværktøjet, før vedligeholdelse og rensning af maskinen, før kontrol af, om tilslutningsledningen er snoet eller beskadiget, samt før maskinen forlades.



Fare for elektrisk stød!

Hold tilslutningskablet langt væk fra klippeværktøjet.



Arbejd ikke i regnvejr og ikke i våde omgivelser.



Start elmotoren.


6. Klargøring af maskinen


6.1 Saml plæneklipperen




Risiko for kvæstelser

Følg sikkerhedsanvisningerne i kapitlet "Sikkerhed". (⇒ 4.)

- Foretag samlingen på et plant og fast underlag. Kontroller medfølgende dele før monteringen.  2

- Saml græsopsamlingskurven, og monter styrehåndtagets nederste dele (D) – vær opmærksom på tilspændingsmomentet.  3
4

- Anbring og hold styrehåndtagets øverste del på styrehåndtagets nederste dele i den ønskede højde. (⇒ 7.3)

- Monter styrehåndtagets øverste del, og læg strømkablet i kabelføringen (J) som vist, og fastgør det med kabelholderne (K) på styrehåndtaget.  5

- Sæt græsopsamlingskurven på. (⇒ 7.1)

7. Betjeningsdele

7.1 Græsopsamlingskurv



Påhægtning:

- Åbn og hold udkastningsspjældet (1).
- Hægt græsopsamlingskurven (2) i holderne (3) på maskinens bagside ved hjælp af låsehagerne.
- Luk udkastningsspjældet (1).

Afhægtning:

- Åbn og hold udkastningsspjældet (1).
- Løft græsopsamlingskurven (2) bagud, og tag den af.
- Luk udkastningsspjældet (1).

7.2 Niveaumåler



Den luftstrøm, der opstår, når kniven kører, får niveaumåleren (1) til at stige. Når græsopsamlingskurven er fuld, ophører luftstrømmen. Hvis luftstrømmen er for svag, falder niveaumåleren (1) tilbage til hviletilstand. Dette indikerer, at græsopsamlingskurven skal tømmes.

Niveaumålerens fulde funktion opnås kun ved en optimal luftstrøm. Ydre forhold som vådt, tæt eller højt græs, lave klippeniveauer, tilsmudsning og lignende kan påvirke luftstrømmen og niveaumålerens funktion.

A Græsopsamlingskurven fyldes

B Græsopsamlingskurven er fyldt:

- Tøm den fyldte græsopsamlingskurv (⇒ 10.5).

7.3 Styrehåndtag



Risiko for klemning!

Når drejeregrebene løsnes, kan styrehåndtagets øverste del klappe sammen. Hold derfor altid om styrehåndtagets øverste del (2) på det højeste sted med den ene hånd, mens drejeregrebene løsnes.

1 Klap styrehåndtagets øverste del om:

Transportposition – i forbindelse med pladsbesparende transport og opbevaring:

- Skru drejeregrebene (1) så langt ud, at de drejer frit, og klap styrehåndtagets øverste del (2) fremad. Sørg for, at elkablet ikke ødelægges.

Arbejdsposition – til skubning af maskinen:

- Klap styrehåndtagets øverste del (2) bagud, og hold fast i det med den ene hånd.
- Skru drejeregrebene (1) fast.

2 Klippehøjdejustering:

Styrehåndtagets øverste del monteres i 2 forskellige højder:

- Skru drejeregrebene (1) af, og tag skruerne (3) ud.
- Stil styrehåndtagets øverste del (2) i den ønskede højde:
Boring **A** – høj position
Boring **B** – lav position

- Før skruerne (3) gennem borerne i styrehåndtagets nederste del og i styrehåndtagets øverste del, skru drejeregrebene (1) fast.

7.4 Central klippehøjdeindstilling



Der kan indstilles **fem** forskellige klippehøjder.

Trin 1:

laveste klippehøjde (25 mm)

Trin 5:

højeste klippehøjde (65 mm)

Indstilling af klippehøjde:

- Tryk låsegrebet (1) udad, og hold det.
- Indstil den ønskede klippehøjde ved at bevæge maskinen op eller ned.
- Slip låsegrebet (1), og lad det gå i hak.

8. Arbejdsanvisninger

8.1 Generelt



Risiko for kvæstelse!

Sammenfiltrede ledninger skal omgående rettes ud.

Hold tilslutningsledningen bag dig under græsslåningen. Tilslutningsledninger kan utilsigtet blive klippet over under græsslåningen, eller man kan snuble over dem. Derfor udgør de en stor risiko for ulykker. Sørg derfor altid for, at tilslutningsledningen ligger på det område, hvor der allerede er slået græs.

Plænen bliver smuk og tæt, hvis den slås ofte og holdes kort.

Slå ikke plænen for kort i varme og tørre perioder, da den ellers svides af solen og kommer til at se grim ud!

Klipperesultatet bliver bedre med en skarp kniv end med en sløv. Derfor bør kniven slibes regelmæssigt (STIHL-forhandler).

8.2 Korrekt belastning af el-motoren

Tænd aldrig for plæneklipperen i højt græs eller i den laveste klippehøjde.

Plæneklipperen må kun belastes så meget, at el-motorens omdrejningstal ikke falder væsentligt.

Hvis omdrejningstallet falder, vælges en højere indstilling af klippehøjden, og/eller fremføringshastigheden reduceres.

8.3 Når kniven blokerer

Stands straks el-motoren, og træk stikket ud. Find derefter årsagen, og sørg for at udbedre fejlen.

8.4 El-motorens termiske overbelastningsbeskyttelse

Hvis der under arbejdet opstår en overbelastning af el-motoren, kobler den indbyggede termiske overbelastningsbeskyttelse automatisk el-motoren fra.

Årsager til overbelastning:

- græsslåning af for højt græs eller for lavt indstillet klippehøjde,
- for høj fremføringshastighed,

- utilstrækkelig rensning af køleluftføringen (luftudtagene),
- kniven er sløv eller slidt,
- uegnet eller for lang tilslutningsledning – spændingsfald (⇒ 10.1).

Ibrugtagning efter pause

Efter en afkølingstid på op til 20 min. (afhængigt af omgivelsestemperaturen) tages maskinen igen i brug på normal vis (⇒ 10.).

8.5 Brugerens arbejdsområde

- Brugerens skal af sikkerhedsmæssige grunde altid opholde sig i arbejdsområdet bag styrehåndtaget, når elmotoren er tændt. Den sikkerhedsafstand, som styrehåndtaget giver, skal altid overholdes.
- Plæneklipperen må udelukkende betjenes af én person, og alle andre tilstedeværende personer skal holde sig på forsvarlig afstand. (⇒ 4.)



9. Sikkerhedsanordninger

Maskinen er udstyret med flere sikkerhedsanordninger for sikker betjening og beskyttelse mod ukorrekt brug.



Risiko for kvæstelse!

Hvis der konstateres en defekt i en af sikkerhedsanordningerne, må maskinen ikke bruges. Kontakt en forhandler, STIHL anbefaler en STIHL-forhandler.

9.1 Beskyttelsesudstyr

Plæneklipperen er udstyret med beskyttelsesudstyr, som forhindrer utilsigtet kontakt med kniven og med det afklippede græs.

Hertil hører kabinettet, udkastningsspjældet, græsopsamlingskurven og det korrekt monterede styrehåndtag.

9.2 Tohåndsbetjening

Elmotoren kan kun startes, hvis du trykker på startknappen og holder den nede med højre hånd og samtidig trækker motorstopbøjlen mod styrehåndtaget med venstre hånd.

9.3 El-motorens udløbsbremse

Når motorstopbøjlen slippes, standser kniven efter mindre end 3 sekunder.

En integreret el-motorudløbsbremse forkorter udløbstiden, indtil kniven er standset.



Når el-motoren er tændt, roterer kniven, og der høres en susen. Efterløbet svarer til støjens varighed, efter at el-motoren er slukket; den kan måles med et stopur.

10. Tag maskinen i brug

10.1 Elektrisk tilslutning



Fare for elektrisk stød!

Følg sikkerhedsanvisningerne i kapitlet "Sikkerhed" (⇒ 4.2).

Ved anvendelse af en kabeltromle skal tilslutningsledningen være rullet helt ud, da der ellers kan opstå effekttab og overophedning på grund af elektrisk modstand.

Der må kun anvendes tilslutningsledninger, som ikke er lettere end gummiledninger **H07 RN-F DIN/VDE 0282**.

Minimumtværsnit:

op til 25 m længde: 3 x 1,5 mm²

op til 50 m længde: 3 x 2,5 mm²

Tilslutningsledningernes koblinger skal være af gummi eller gummibetrukne og opfylde standarden **DIN/VDE 0620**.

Netspænding og netfrekvens skal stemme overens med angivelserne på mærkepladen og angivelserne i kapitlet "Tekniske data" (⇒ 17.).

Tilslutningsledningen skal være tilstrækkeligt sikret (⇒ 17.).

Denne maskine er dimensioneret til drift med en strømforsyning med en systemimpedans Z_{\max} ved leveringspunktet (hovedtilslutning) på maksimalt **0,49 Ohm** (ved 50 Hz).

Brugeren skal sikre, at maskinen kun tilsluttes en strømforsyning, der overholder disse krav. Hvis det er nødvendigt, kan systemimpedansen oplyses af det lokale elselskab.

10.2 Trækaflastning



Under arbejdet forhindrer trækaflastningen, at tilslutningsledningen trækkes af ved en fejl og derved beskadiger strømtilslutningen på maskinen.

Derfor skal tilslutningsledningen føres gennem trækaflastningen.

- Med tilslutningsledningen (1) dannes en løkke, som føres gennem åbningen (2).
- Før så løkken op om krogen (3), og stram den.

10.3 Sådan startes plæneklipperen



Start ikke el-motoren i højt græs eller i laveste klippehøjde, da dette gør starten vanskelig.

- Tryk på startknappen (1), og hold den nede. Træk motorstopbøjlen (2) mod styrehåndtaget, og hold den der.
- Startknappen (1) kan slippes igen, når motorstopbøjlen (2) er trykket op.

10.4 Sådan slukkes plæneklipperen



- Slip motorstopbøjlen (1). Elmotoren og kniven standser efter en kort udløbstid.

10.5 Tøm græsopsamlingskurv



Risiko for kvæstelser!

Før græsopsamlingskurven tages af, skal elmotoren være standset af hensyn til sikkerheden.

- Hægt græsopsamlingskurven af. (⇒ 7.1)
- Åbn græsopsamlingskurven på låselasken (1). Klap græsopsamlingskurvens øverste del (2) op, og hold. Klap græsopsamlingskurven bagud, og tøm den for afklippet affald.
- Luk græsopsamlingskurven.
- Sæt græsopsamlingskurven på. (⇒ 7.1)

11. Vedligeholdelse

11.1 Generelt



Risiko for kvæstelser!

Følg sikkerhedsanvisningerne i kapitlet "Sikkerhed" (⇒ 4.).

Årlig vedligeholdelse udført af forhandleren:

Plæneklipperen bør kontrolleres af forhandleren en gang om året. STIHL anbefaler en STIHL-forhandler.

11.2 Rengør maskinen



Vedligeholdelsesinterval: Efter hver brug

- Stil plæneklipperen på et fast, vandret og jævnt underlag.

- Hægt græsopsamlingskurven af. (⇒ 7.1)
- Tip plæneklipperen (1) over på siden for at rengøre undersiden af maskinen.
- Maskinen må kun rengøres med vand, en børste eller en klud. Eventuelle græsrester løsnes først med en pind. Anvend om nødvendigt specialrensemiddel (f. eks. STIHL specialrensemiddel).
- Ret aldrig en vandstråle eller en højtryksrenser mod kontakter, motordele, pakninger og lejesøler.

11.3 Elmotor og hjul

Elmotoren er vedligeholdelsesfri.

Hjulenes lejer er vedligeholdelsesfrie.

11.4 Styrehåndtagets øverste del

Vedligeholdelsesinterval: Før hver brug

Kontroller styrehåndtagets øverste del for beskadigelser – den er beklædt med et isoleringslag. Hvis dette er beskadiget, må plæneklipperen ikke bruges, og styrehåndtagets øverste del skal udskiftes.

11.5 Vedligeholdelse af kniven

Vedligeholdelsesinterval: Før hver brug



- ⚠ Risiko for kvæstelser!** Kontroller kniven for beskadigelser før hver brug. Kniven skal udskiftes, hvis der er hakker eller ridser, eller hvis slidgrænserne er nået eller underskredet.

- Tip plæneklipperen om på siden. (⇒ 11.2)
- Rens kniven (1), og kontroller for beskadigelser (hakker eller ridser) og slid, og udskift efter behov.
- **Knivtykkelsen** **A** skal kontrolleres flere steder med en skydelære. Mål især efter i området ved knivbladet. **A** > 1,6 mm
- Læg en lineal (2) mod den forreste knivkant, og mål **nedslibningen** **B**. **B** < 5 mm

11.6 Afmonter og monter kniven



- ⚠ Risiko for kvæstelser!** Bær egnede beskyttelsehandsker ved alle typer arbejde på kniven.

- Vip plæneklipperen over på siden for at udføre arbejde på kniven. (⇒ 11.2)

1 Afmontering:

- Hold fast i kniven (1) med den ene hånd.
- Skru knivbolten (2) ud, og tag den af sammen med medbringeren (3) og kniven (1).

2 Montering:



Risiko for kvæstelser!

Kontroller knivens tilstand (skader, slid) før monteringen, udskift efter behov. (⇒ 11.5)
Kniven må kun monteres som vist med de ombukkede vinger opad (med retning mod maskinen). Det foreskrevne tilspændingsmoment for knivbolten skal overholdes nøje, da dette er vigtigt for at sikre, at klippeværktøjet fastgøres ordentligt. Sørg for at sikre knivbolten yderligere med **Loctite 243**.

Udskift knivbolten og medbringeren, hver gang knivene udskiftes.

- Rens knivens anlægsflade, medbringeren og knivbøsningen.
- Sæt kniven (1) på knivbøsningen med de ombukkede vinger opad. Placer knivbøsningens styrestifter (4) i knivens udsparinger.
- Hold fast i kniven (1) med den ene hånd, og åbn medbringeren (3).
- Skru knivbolten (2) i, og stram den. **Tilspændingsmoment** knivbolt: 15 - 20 Nm

11.7 Slib kniven

STIHL anbefaler, at slibningen af kniven overlades til en fagmand. Hvis kniven slibes forkert (forkert slibevinkel, ubalance osv.), forringes maskinens funktionsevne.

Slibningsvejledning:

- Demonter kniven. (⇒ 11.6)

- Afkøl kniven under slibningen, f.eks. med vand. Den må ikke blive blå, da skæreevnen i så fald forringes.
- Slib kniven ensartet for at undgå vibrationer pga. ubalance.
- Hold en slibevinkel på 30°.
- Fjern om nødvendigt graterne, der er opstået på æggen, med et stykke fint sandpapir efter slibningen.

11.8 Opbevaring (vinterpause)

Maskinen skal opbevares i et tørt, lukket og støvfrit rum. Sørg for, at maskinen opbevares utilgængeligt for børn.

Plæneklipperen må kun opbevares i driftssikker tilstand. Klap evt. styrehåndtaget om.

Alle møtrikker, bolte og skruer skal være fastspændte. Udskift ulæselige fare- og advarselshenvisninger på maskinen, og kontroller hele maskinen for slid og beskadigelser. Udskift slidte eller beskadigede dele.

Eventuelle fejl på maskinen skal altid afhjælpes før opbevaringen.

Ved længere driftspauser (vinterpause) skal følgende punkter udføres:

- Rens alle ydre dele omhyggeligt.
- Smør samtlige bevægelige dele godt ind i olie/fedt.

12. Transport

12.1 Transport



Risiko for kvæstelser!

Overhold kapitlet "Sikkerhed" før transporten. (⇒ 4.)

Ved transport skal du altid bære egnede personlige værnemidler (sikkerhedssko, kraftige handsker). Træk altid ledningen ud før løft eller transport.

Sådan bærer du maskinen:

- Bær plæneklipperen med den ene hånd transportgrebet (1) og den anden hånd på kabinettet (2). Sørg altid for tilstrækkelig afstand mellem kniven og kroppen (især fødder og ben).

eller

- Bær plæneklipperen med den ene hånd i transportgrebet (1).

Fastgøring af maskinen:

- Fastgør plæneklipperen og græsopsamlingskurven på læssefladen med egnede hjælpemidler.
- Fastgør tove eller seler på transportgrebet (1) og på styrehåndtagets nederste dele (3).

13. Sådan minimerer du slid og undgår skader

Vigtige anvisninger til vedligeholdelse af produktgruppen

Plæneklipper, håndbetjent og eldrevet (STIHL RME)

Firmaet STIHL påtager sig intet ansvar for ting- og personskader, som opstår som følge af manglende overholdelse af henvisningerne i betjeningsvejledningen, især hvad angår sikkerhed, betjening og vedligeholdelse, eller ved anvendelse af ikke godkendte påbygningskomponenter eller reservedele.

For at undgå skader og unødigt slitage på din STIHL-maskine skal du altid følge nedenstående vigtige anvisninger:

1. Sliddele

Nogle dele af STIHL-maskinen udsættes også selv ved korrekt brug for normal slitage og skal alt efter arten og varigheden af brugen udskiftes rettidigt.

Hertil hører bl. a.:

- Knive

2. Overholdelse af anvisningerne i denne betjeningsvejledning

Brug, vedligeholdelse og opbevaring af STIHL-maskinen skal ske med største omhu som beskrevet i denne betjeningsvejledning. Brugeren hæfter selv for alle skader, der måtte opstå som følge af manglende overholdelse af sikkerheds-, betjenings- og vedligeholdelses-anvisningerne.

Dette gælder især for:

- Ikke tilstrækkeligt dimensioneret tilførsel (tværsnit).

- Forkert elektrisk tilslutning (spænding).
- Ændringer af produktet, som ikke er godkendt af STIHL.
- Anvendelse af værktøj eller tilbehør, som ikke er godkendt eller egnet til produktet eller ikke er af tilstrækkelig kvalitet.
- Brug af produktet til andet end det af producenten foreskrevne formål.
- Anvendelse af produktet ved sportsarrangementer eller i konkurrencer.
- Følgeskader som følge af fortsat brug af produktet med defekte komponenter.

3. Vedligeholdelsesarbejder

Alle former for arbejder, der er beskrevet i afsnittet "Vedligeholdelse", skal foretages regelmæssigt.

Hvis disse vedligeholdelsesarbejder ikke kan udføres af brugeren selv, skal de udføres af en forhandler.

STIHL anbefaler, at alle vedligeholdelsesarbejder og reparationer udelukkende udføres hos en STIHL-forhandler.

STIHL-forhandlerne tilbydes jævnligt kurser og får stillet teknisk materiale til rådighed.

Såfremt disse arbejder ikke bliver udført, kan der opstå skader, som brugeren selv hæfter for.

Herunder hører bl.a.:

- Skader på elmotoren på grund af utilstrækkelig rensning af køleluftføringen (luftudtagene).
- Korrosionsskader eller følgeskader på grund af uhensigtsmæssig opbevaring.

- Skader på maskinen på grund af anvendelse af andre reservedele af mindre god kvalitet.
- Skader pga. ikke udført eller utilstrækkelig vedligeholdelse, eller skader pga. vedligeholdelses- eller reparationsarbejder, som ikke udføres på forhandlernes værksted.

14. Miljøbeskyttelse



Det afskårne græs må ikke smides i skraldespanden, men bør derimod komposteres.

Emballage, maskine og tilbehør er fremstillet af materialer, der kan genbruges, og som skal bortskaffes i overensstemmelse hermed.

Miljørigtig bortskaffelse, hvor materialerester sorteres, fremmer muligheden for at genanvende brugbare materialer. Derfor skal maskinen afleveres på en genbrugsstation, når den er opslidt. Følg anvisningerne i kapitlet "Bortskaffelse" (⇒ 4.9) i forbindelse med bortskaffelse.

Kontakt genbrugsstationen eller forhandleren for at få at vide, hvordan affaldsprodukterne kan bortskaffes korrekt.

15. Standardreservedele

Kniv:
6311 702 0100

Knivbolt:
9018 321 1800

Medbringer:
6311 702 0600



Knivbolten og medbringeren skal udskiftes, når knivene udskiftes. Reservedele fås hos en STIHL-forhandler.

16. Overensstemmelseserklæring

16.1 EC-overensstemmelseserklæring plæneklipper STIHL RME 235.0

STIHL Tirol GmbH
Hans Peter Stihl-Straße 5
6336 Langkampfen
Østrig

erklærer, at vi har det fulde ansvar for, at

- Konstruktion: Elektrisk plæneklipper
- Fabrikat: STIHL
- Type: RME 235.0
- Klippebredde: 33 cm
- Serienummer: 6311

opfylder de relevante bestemmelser i direktiverne 2006/42/EC, 2000/14/EC, 2014/30/EU og 2011/65/EU og er udviklet og fremstillet i overensstemmelse med de gældende udgaver af følgende standarder: EN 60335-1, EN 60335-2-77, EN 55014-1, EN 55014-2, EN 61000-3-2 og EN 61000-3-3.

Pågældende myndighed:
TÜV Rheinland LGA Products GmbH
Tillystraße 2
90431 Nürnberg, DE

For at finde det målte og garanterede lydeffektniveau er man gået frem efter direktiv 2000/14/EC, bilag VIII.

- Målt lydeffektniveau: 92,1 dB(A)
- Garanteret lydeffektniveau: 93 dB(A)

De tekniske dokumenter opbevares hos
STIHL Tirol GmbH.

Produktionsåret og maskinnummeret står
på plæneklipperen.

Langkampfen, 29.04.2021

STIHL Tirol GmbH

e.b.

Matthias Fleischer, Sektionsleder for
forskning og udvikling

e.b.

Sven Zimmermann, Sektionsleder for
kvalitet

17. Tekniske data

Type	RME 235.0
Serienummer	6311
Motor, type	Elmotor
Motorstype	Vekselstrøms- universalmotor
Spænding	230 V~
Forbrugseffekt	1200 W

Type	RME 235.0
Frekvens	50 Hz
Sikring	5 A
Beskyttelsesklasse	II
Kapslingsklasse	IPX 4
Skæreanordning	Knivbjælke
Klippebredde	33 cm
Skæreanordningens omdrejningstal	3200 o/min
Iht. 2000/14/EC / S.I. 2001/1701:	
Garanteret lydeffekt- niveau L_{WA}	93 dB(A)
Usikkerhed K_{WA}	0,8 dB(A)
Måling iht. EN 60335-2-77:	
Støjniveau på arbejdspladsen L_{pA}	80 dB(A)
Usikkerhed K_{pA}	2 dB(A)
Drev knivbjælke	Permanent
Tilspændingsmo- ment knivbolt	15 - 20 Nm
Hjul-Ø foran	140 mm
Hjul-Ø bagtil	170 mm
Påfyldningsmængde græsopsamlingskurv	30 l
Klippehøjde	25 - 65 mm
Anført vibrationskarakteristik iht. EN 12096:	
Målt værdi a_{hw}	1,40 m/sek ²
Usikkerhed K_{hw}	0,70 m/sek ²
Måling iht. EN 20643, EN 60335-2-77	
Længde	127 cm
Bredde	37 cm
Højde	108 cm
Vægt	13 kg
	14 kg (GB)

17.1 REACH

REACH er en EU-forordning om
registrering, vurdering og godkendelse af
kemikalier.

Oplysninger om opfyldelse af REACH-
forordningen (EF) nr. 1907/2006 er
angivet på www.stihl.com/reach.

18. Fejlsøgning

✘ Kontakt evt. en forhandler, STIHL
anbefaler en STIHL-forhandler.

Fejl:

El-motoren starter ikke

Mulig årsag:

- Ingen spænding
- Tilslutningsledning/stik, stikforbindelse
eller kontakt defekt
- Startknappen er ikke trykket ind
- El-motoren er overbelastet pga. for højt
eller for fugtigt græs.
- El-motorens værn aktiveret
- Plæneklipperens kabinet er tilstoppet
- Sikring i stik er defekt (GB-version)

Afhjælpning:

- Kontroller sikringen (⇒ 10.1)
- Kontroller kabel/stik/kontakt, og udskift
om nødvendigt (⇒ 10.1)
- Tryk på startknappen (⇒ 10.3)
- Start ikke el-motoren i højt græs, tilpas
klippehøjden (⇒ 7.4)
- Lad maskinen køle af (⇒ 8.4)
- Rengør plæneklipperens kabinet
(⇒ 11.2)
- Skift sikring i stikket (✘)

Fejl:

Sikringen udløses ofte

Mulig årsag:

- Tilslutningsledningen passer ikke
- Nettet er overbelastet
- Maskinen er overbelastet pga. græsslåning i for højt eller for fugtigt græs

Afhjælpning:

- Anvend passende tilslutningsledning (⇒ 10.1)
- Tilslut maskinen til en anden strømkreds
- Tilpas klippehøjden og klippehastigheden til forholdene (⇒ 7.4)

Fejl:

Kraftige vibrationer ved brug

Mulig årsag:

- Knivbolten er løs
- Kniven er ikke afbalanceret

Afhjælpning:

- Fastspænd knivbolten (⇒ 11.6)
- Slib (afbalancer) kniven, eller udskift den (⇒ 11.7)

Fejl:

Ujævnt snit, plænen bliver gul

Mulig årsag:

- Kniven er sløv eller slidt
- Fremføringshastigheden er for stor i forhold til klippehøjden

Afhjælpning:

- Slib eller udskift kniven (⇒ 11.7)
- Reducer fremføringshastigheden, og/eller vælg den rigtige klippehøjde (⇒ 7.4)

Fejl:

Startbesvær eller el-motorens ydelse falder.

Mulig årsag:

- Græsslåning i for højt eller for fugtigt græs
- Plæneklipperens kabinet er tilstoppet

Afhjælpning:

- Tilpas klippehøjden og klippehastigheden til forholdene (⇒ 7.4)
- Rens plæneklipperens kabinet (træk stikket ud under rengøringen) (⇒ 11.2)

Fejl:

Udkastningskanalen er tilstoppet

Mulig årsag:

- Kniven er slidt
- Græsslåning i for højt eller for fugtigt græs

Afhjælpning:

- Udskift kniven (⇒ 11.7)
- Tilpas klippehøjden og klippehastigheden til forholdene (⇒ 7.4)

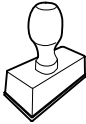
19. Serviceplan

19.1 Leveringsbekræftelse

Model: _____

Serienummer:

Dato:



Næste service

Dato:

19.2 Servicebekræftelse



Giv denne betjeningsvejledning til din STIHL-forhandler i forbindelse med vedligeholdelsesarbejde. Han bekræfter udførelsen af de enkelte servicepunkter i de fortrykte felter.

Service udført den


Dato for næste serviceeftersyn

Αγαπητέ πελάτη,

Σας ευχαριστούμε που επιλέξατε την STIHL για την αγορά σας. Στόχος μας είναι να σχεδιάζουμε και να κατασκευάζουμε προϊόντα κορυφαίας ποιότητας που ανταποκρίνονται στις ανάγκες των πελατών μας. Έτσι δημιουργούμε προϊόντα με υψηλή αξιοπιστία, ακόμα και κάτω από ακραίες συνθήκες χρήσης.

Παράλληλα, η STIHL παρέχει επίσης σέρβις κορυφαίας ποιότητας. Οι πιστοποιημένοι αντιπρόσωποί μας μπορούν να σας προσφέρουν έγκυρες συμβουλές, εκπαίδευση και πλήρη τεχνική υποστήριξη.

Σας ευχαριστούμε για την εμπιστοσύνη σας και σας ευχόμαστε πολλά χρόνια ευχάριστης εργασίας με το προϊόν STIHL σας.



Δρ. Nikolas Stihl

ΠΡΟΣΟΧΗ! ΔΙΑΒΑΣΤΕ ΤΟ ΕΓΧΕΙΡΙΔΙΟ ΑΥΤΟ ΠΡΙΝ ΤΗ ΧΡΗΣΗ ΚΑΙ ΦΥΛΑΞΤΕ ΤΟ.

1. Περιεχόμενα

Σχετικά με αυτές τις οδηγίες χρήσης	124	Εάν το μαχαίρι κοπής μπλοκάρει	133
Γενικά	124	Θερμική προστασία υπερφόρτισης του ηλεκροκινητήρα	133
Υποδείξεις σχετικά με την ανάγνωση των οδηγιών χρήσης	124	Περιοχή εργασίας του χειριστή	134
Διαφορετικές εκδόσεις χωρών	124	Συστήματα ασφαλείας	134
Περιγραφή εργαλείου	125	Προστατευτικές διατάξεις	134
Για τη δική σας ασφάλεια	125	Χειρισμός με τα δύο χέρια	134
Γενικά	125	Φρένο ακινητοποίησης του ηλεκτροκινητήρα	134
Προσοχή – Κίνδυνοι από ηλεκτρικό ρεύμα	126	Θέση του εργαλείου σε λειτουργία	134
Ενδυμασία και εξοπλισμός	127	Ηλεκτρική σύνδεση του εργαλείου	134
Μεταφορά του εργαλείου	127	Σφικτήρας καλωδίου	135
Πριν την εργασία	127	Θέση του χλοοκοπτικού μηχανήματος σε λειτουργία	135
Κατά τις εργασίες	128	Θέση του χλοοκοπτικού μηχανήματος εκτός λειτουργίας	135
Συντήρηση, καθαρισμός, επισκευές και αποθήκευση	130	Εκκένωση του χορτοσυλλέκτη	135
Αποθήκευση σε μεγαλύτερα διαστήματα παύσης της λειτουργίας	131	Συντήρηση	135
Απόρριψη	131	Γενικά	135
Περιγραφή συμβόλων	131	Καθαρισμός εργαλείου	135
Προετοιμασία του εργαλείου για χρήση	132	Ηλεκτροκινητήρας και τροχοί	136
Συναρμολόγηση χλοοκοπτικού μηχανήματος	132	Επάνω τμήμα του τιμονιού	136
Χειριστήρια	132	Συντήρηση του μαχαίριου κοπής	136
Χορτοσυλλέκτης	132	Αφαίρεση και τοποθέτηση μαχαίριου κοπής	136
Ένδειξη στάθμης πλήρωσης	132	Τρόχισμα του μαχαίριου κοπής	137
Τιμόνι	132	Φύλαξη (χειμερινή παύση εργασιών)	137
Κεντρική ρύθμιση ύψους κοπής	133	Μεταφορά	137
Υποδείξεις για την εργασία	133	Μεταφορά	137
Γενικά	133	Ελαχιστοποίηση φθορών και αποφυγή βλαβών	137
Σωστή καταπόνηση του ηλεκτροκινητήρα	133	Προστασία περιβάλλοντος	138
		Συνηθισμένα ανταλλακτικά	138
		Πιστοποιητικό συμβατότητας	138
		Πιστοποιητικό συμβατότητας ΕΕ για το χλοοκοπτικό μηχανήμα STIHL RME 235.0	138

Τεχνικά στοιχεία	139
REACH	140
Εντοπισμός βλαβών	140
Πρόγραμμα συντήρησης	141
Βεβαίωση παράδοσης	141
Βεβαίωση συντήρησης	141

2. Σχετικά με αυτές τις οδηγίες χρήσης

2.1 Γενικά

Αυτές οι οδηγίες χρήσης αποτελούν **γνήσιες οδηγίες λειτουργίας** του κατασκευαστή, όπως αυτές ορίζονται σύμφωνα με την Οδηγία της ΕΕ 2006/42/EC.

Η STIHL εργάζεται συνεχώς για τη βελτίωση και εξέλιξη της σειράς των προϊόντων της, συνεπώς διατηρεί το δικαίωμα αλλαγών των προϊόντων όσον αφορά τη μορφή, την τεχνική και τον εξοπλισμό τους.

Για το λόγο αυτό, οι αναφορές και οι εικόνες που περιέχονται στο παρόν φυλλάδιο δεν είναι δεσμευτικές.

Στις παρούσες οδηγίες χρήσης περιγράφονται και ενδεχόμενα μοντέλα τα οποία δεν είναι διαθέσιμα σε όλες τις χώρες.

Οι παρούσες οδηγίες χρήσης καλύπτονται από τις διατάξεις περί προστασίας πνευματικών δικαιωμάτων. Με την επιφύλαξη παντός δικαιώματος και ειδικότερα του δικαιώματος της αναπαραγωγής, της μετάφρασης και της επεξεργασίας με ηλεκτρονικά συστήματα.

2.2 Υποδείξεις σχετικά με την ανάγνωση των οδηγιών χρήσης

Οι εικόνες και τα κείμενα περιγράφουν συγκεκριμένα βήματα χειρισμού.

Όλα τα σύμβολα εικόνων που είναι τοποθετημένα στο εργαλείο επεξηγούνται στις παρούσες οδηγίες χρήσης.

Κατεύθυνση βλέμματος:

Κατεύθυνση βλέμματος όταν αναφέρεται «δεξιά» και «αριστερά» στις οδηγίες χρήσης:

Ο χρήστης βρίσκεται πίσω από το εργαλείο και κοιτά εμπρός, προς την κατεύθυνση κίνησης.

Παραπομπή κεφαλαίων:

Η παραπομπή στα αντίστοιχα κεφάλαια και υποκεφάλαια για περαιτέρω επεξηγήσεις γίνεται με ένα βέλος. Στο παράδειγμα που ακολουθεί παρουσιάζεται μία παραπομπή σε ένα κεφάλαιο: (⇒ 3.)

Χαρακτηρισμός των αποσπασμάτων των κειμένων:

Οι υποδείξεις που περιγράφονται ενδέχεται να επισημαίνονται με τον τρόπο που παρουσιάζεται στα παρακάτω παραδείγματα.

Βήματα χειρισμού που απαιτούν την επέμβαση του χρήστη:

- Λύστε τη βίδα (1) με ένα κατσαβίδι, πιέστε το μοχλό (2) ...

Γενικές περιγραφές:

- Χρήση του προϊόντος σε αθλητικές δραστηριότητες ή διαγωνισμού

Κείμενο με πρόσθετη σημασία:

Τα αποσπάσματα με πρόσθετη σημασία επισημαίνονται με τα εξής σύμβολα για να τονιστούν ιδιαίτερα σε αυτές τις οδηγίες χρήσης.



Κίνδυνος!

Κίνδυνος ατυχήματος και σοβαρών τραυματισμών ατόμων. Απαιτείται ή πρέπει να αποφευχθεί μία συγκεκριμένη συμπεριφορά.



Προειδοποίηση!

Κίνδυνος τραυματισμών ατόμων. Μία συγκεκριμένη συμπεριφορά αποτρέπει πιθανούς ή ενδεχόμενους τραυματισμούς.



Προσοχή!

Οι ελαφριοί τραυματισμοί ή αντίστοιχα οι υλικές ζημιές μπορούν να αποτραπούν με μία συγκεκριμένη συμπεριφορά.



Υπόδειξη

Πληροφορίες για την καλύτερη χρήση του εργαλείου και για την αποφυγή πιθανών λανθασμένων χειρισμών.

Κείμενα σε συσχέτισμό με εικόνα:

Όλες τις απεικονίσεις που επεξηγούν τη χρήση του εργαλείου θα τις βρείτε στην αρχή αυτών των οδηγιών χρήσης.

Το σύμβολο κάμερας χρησιμεύει στο συσχέτισμό των εικόνων στις σελίδες εικόνων με το αντίστοιχο τμήμα κειμένου των οδηγιών χρήσης.



2.3 Διαφορετικές εκδόσεις χωρών

Η STIHL παραδίδει τα εργαλεία με διαφορετικά φics και διακόπτες, ανάλογα με τη χώρα παράδοσης.

Στις εικόνες απεικονίζονται εργαλεία με ευρωπαϊκό φιν, η ηλεκτρική σύνδεση των εργαλείων με φιν άλλου τύπου πραγματοποιείται με παρόμοιο τρόπο.

3. Περιγραφή εργαλείου



- 1 Επάνω τμήμα του τιμονιού
- 2 Μπάρα διακοπής του κινητήρα
- 3 Περιστρεφόμενη χειρολαβή
- 4 Στόμιο εξαγωγής
- 5 Λαβή μεταφοράς
- 6 Κάλυμμα κινητήρα
- 7 Εμπρός τροχός
- 8 Περιβλήμα
- 9 Πίσω τροχός
- 10 Κάτω τμήμα τιμονιού
- 11 Κλιπ καλωδίου
- 12 Χορτοσυλλέκτης
- 13 Οδηγός καλωδίου
- 14 Ένδειξη στάθμης πλήρωσης
- 15 Πλήκτρο εκκίνησης
- 16 Ηλεκτρική σύνδεση
- 17 Σφικτήρας καλωδίου
- 18 Μοχλός ρύθμισης ύψους

4. Για τη δική σας ασφάλεια

4.1 Γενικά



Κατά τις εργασίες με το εργαλείο θα πρέπει να τηρηθούν οπωσδήποτε οι παρόντες κανονισμοί πρόληψης ατυχημάτων.



Πριν από την πρώτη θέση σε λειτουργία θα πρέπει να διαβάσετε προσεκτικά όλες τις οδηγίες χρήσης. Φυλάξτε τις οδηγίες χρήσης για μελλοντική χρήση.

Αυτά τα προληπτικά μέτρα είναι απαραίτητα για τη δική σας ασφάλεια. Χρησιμοποιείτε το εργαλείο με σύνεση και υπευθυνότητα και έχετε πάντοτε υπ' όψιν σας ότι ο χρήστης του εργαλείου ευθύνεται για τυχόν ατυχήματα ή πρόκληση ζημιών σε ξένη ιδιοκτησία.

Εξοικειωθείτε με τα χειριστήρια και τη χρήση του εργαλείου.

Το εργαλείο επιτρέπεται να χρησιμοποιηθεί μόνο από άτομα που έχουν διαβάσει τις οδηγίες χρήσης και εξοικειωθεί με τη χρήση του εργαλείου. Πριν από την πρώτη θέση σε λειτουργία θα πρέπει ο χρήστης να επιδιώκει να λαμβάνει πρακτικές και σωστές υποδείξεις και συμβουλές χρήσης. Ο πωλητής ή ο ειδικός τεχνίτης θα πρέπει να εξηγήσει στο χρήστη τον ασφαλή χειρισμό του εργαλείου.

Μ' αυτήν την υπόδειξη ο χρήστης θα κατανοήσει ότι απαιτείται ιδιαίτερη προσοχή και συγκέντρωση στην εργασία με το εργαλείο.

Ακόμη και όταν χειρίζεστε αυτό το εργαλείο σύμφωνα με τον προβλεπόμενο τρόπο, πάντα εξακολουθούν να υπάρχουν κάποιιοι κίνδυνοι.



Κίνδυνος ασφυξίας!

Κίνδυνος ασφυξίας για τα παιδιά όταν παίζουν με τα υλικά συσκευασίας. Κρατάτε τα υλικά συσκευασίας πάντα μακριά από παιδιά.

Παραχωρήστε ή δανείστε το εργαλείο μαζί με όλα τα εξαρτήματα, μόνο σε άτομα που έχουν ενημερωθεί ή γνωρίζουν το συγκεκριμένο μοντέλο και έχουν εξοικειωθεί απόλυτα με τη χρήση του. Οι οδηγίες χρήσης αποτελούν μέρος του εργαλείου και θα πρέπει να παραδίδονται πάντα μαζί μ' αυτό.

Χρησιμοποιείτε το εργαλείο μόνο όταν είστε ξεκούραστοι και βρίσκεστε σε άριστη φυσική και πνευματική κατάσταση. Εάν αντιμετωπίζετε περιορισμούς λόγω υγείας θα πρέπει να ρωτήσετε τον γιατρό σας εάν μπορείτε να εργαστείτε με το εργαλείο. Δεν επιτρέπεται να εργάζεστε με το εργαλείο μετά τη λήψη αλκοόλ, ναρκωτικών ουσιών ή φαρμάκων που μειώνουν την ικανότητα αντίδρασης.

Βεβαιωθείτε ότι ο χρήστης έχει τις σωματικές, πνευματικές και αισθητηριακές ικανότητες να χειριστεί το εργαλείο και να εργαστεί με αυτό. Εάν ο χρήστης έχει περιορισμένες σωματικές, πνευματικές ή αισθητηριακές ικανότητες, τότε επιτρέπεται να εργαστεί με το χλοοκοπτικό μηχανήμα μόνο υπό την επίβλεψη ενός αρμόδιου ατόμου.

Βεβαιωθείτε ότι ο χρήστης είναι ενήλικας ή ότι ο χρήστης εκπαιδεύεται επαγγελματικά υπό επίβλεψη, σύμφωνα με τους εθνικούς κανονισμούς.

Το εργαλείο είναι σχεδιασμένο για ιδιωτική χρήση.

Προσοχή - Κίνδυνος ατυχήματος!

Το εργαλείο προορίζεται μόνο για την κοπή του χόρτου. Δεν επιτρέπεται άλλη χρήση του εργαλείου, η οποία μπορεί να αποβεί επικίνδυνη ή να οδηγήσει σε φθορές του εργαλείου.

Λόγω του αυξημένου κινδύνου πρόκλησης σωματικών βλαβών στο χειριστή, το εργαλείο δεν επιτρέπεται να χρησιμοποιηθεί για τις παρακάτω εργασίες (αποσπασματική αναφορά):

- για την κοπή θάμνων και θαμνοφρακτών,
- για την κοπή χόρτου κοντά σε κράσπεδα,
- για τη φροντίδα του χλοοτάπητα επάνω σε στέγες και σε ζαρντινιέρες,
- για τον τεμαχισμό κλαδιών δέντρων και θαμνοφρακτών.
- Για τον καθαρισμό πεζοδρομίων (αναρρόφηση, λειτουργία φυσητήρα).
- για το στρώσιμο των ανωμαλιών του εδάφους, π.χ. σε φωλιές τυφλοπόντικα.
- για τη μεταφορά του υλικού κοπής, εκτός φυσικά από τον προβλεπόμενο για αυτή τη χρήση χορτοσυλλέκτη.

Για λόγους ασφαλείας απαγορεύεται οποιαδήποτε μετατροπή στο εργαλείο, εκτός από την τοποθέτηση του πρόσθετου εξοπλισμού που έχει εγκριθεί από την STIHL. Κάτι τέτοιο εξάλλου οδηγεί σε ακύρωση της εγγύησης. Πληροφορίες για τον εγκεκριμένο πρόσθετο εξοπλισμό μπορείτε να λάβετε από τον εμπορικό αντιπρόσωπο της STIHL.

Ειδικότερα απαγορεύεται οποιαδήποτε επέμβαση στο εργαλείο, η οποία επηρεάζει την ισχύ ή τις στροφές του κινητήρα εσωτερικής καύσης ή του ηλεκτροκινητήρα.

Με το εργαλείο δεν επιτρέπεται να μεταφερθούν αντικείμενα, ζώα ή άτομα, ειδικότερα παιδιά.

Στη χρήση σε δημόσιους χώρους, σε πάρκα, σε χώρους άθλησης, σε δρόμους, σε αγροτικές και γεωργικές επιχειρήσεις απαιτείται ιδιαίτερη προσοχή.



Προσοχή! Κίνδυνος για την υγεία λόγω κραδασμών!

Η υπερβολική καταπόνηση από κραδασμούς μπορεί να προκαλέσει διαταραχές στο κυκλοφορικό ή νευρικό σύστημα, ειδικά στα άτομα με προβλήματα στο κυκλοφορικό σύστημα. Απευθυνθείτε σε έναν γιατρό, εάν παρουσιαστούν ορισμένα συμπτώματα από τους κραδασμούς. Τέτοια συμπτώματα, που εμφανίζονται κυρίως στα δάκτυλα, τα χέρια και τους καρπούς των χεριών, είναι για παράδειγμα (αποσπασματική αναφορά):

- αναισθησία,
- πόνοι,
- μυϊκή ατονία,
- αποχρώσεις στην επιδερμίδα,
- μούδιασμα.

Κατά τη διάρκεια της λειτουργίας, κρατήστε το τιμόνι σταθερά, αλλά όχι πολύ σφιχτά, και με τα δύο χέρια από τα προβλεπόμενα σημεία.

Προγραμματίστε τους χρόνους εργασίας με τέτοιο τρόπο ώστε να αποφεύγετε μεγάλες καταπονήσεις για μεγάλα χρονικά διαστήματα.

4.2 Προσοχή – Κίνδυνοι από ηλεκτρικό ρεύμα



Προσοχή! Κίνδυνος ηλεκτροπληξίας!

Ιδιαίτερη σημασία για την ηλεκτρική ασφάλεια έχουν τα ηλεκτρικά καλώδια, τα φics, ο διακόπτης θέσης εντός/εκτός λειτουργίας και το καλώδιο σύνδεσης. Δεν επιτρέπεται η χρήση φθαρμένων καλωδίων, ακροδεκτών και φics ή καλωδίων σύνδεσης που δεν ανταποκρίνονται στις προδιαγραφές, ώστε να αποφευχθεί ο κίνδυνος ηλεκτροπληξίας.



Ελέγχετε τακτικά το καλώδιο σύνδεσης για σημάδια φθοράς ή παλαιώσης (ρωγμές).

Θέτετε σε λειτουργία το εργαλείο μόνο με ξετυλιγμένο ηλεκτρικό καλώδιο.

Εάν χρησιμοποιείτε καλώδιο προέκτασης σε καρούλι θα πρέπει πάντοτε να το ξετυλίγετε τελείως πριν από τη χρήση.

Μη χρησιμοποιείτε ποτέ ένα φθαρμένο καλώδιο προέκτασης. Αντικαταστήστε τα φθαρμένα καλώδια με νέα και μην επισκευάζετε τα καλώδια προέκτασης.

Το εργαλείο δεν επιτρέπεται να χρησιμοποιηθεί εάν έχουν φθαρεί ή υποστεί ζημιές τα καλώδια. Ειδικότερα θα πρέπει να ελέγξετε το καλώδιο τροφοδοσίας για τυχόν φθορές ή γήρανση.

Οι εργασίες συντήρησης και επισκευής στα καλώδια τροφοδοσίας θα πρέπει να εκτελούνται μόνο από εκπαιδευμένους τεχνίτες.

Κίνδυνος ηλεκτροπληξίας!

Μην συνδέετε στο ηλεκτρικό δίκτυο ένα φθαρμένο καλώδιο και μην το ακουμπάτε, προτού το αποσυνδέσετε από το ηλεκτρικό δίκτυο.

Κίνδυνος ηλεκτροπληξίας!

Δεν επιτρέπεται να χρησιμοποιηθούν καλώδια, εξαρτήματα σύνδεσης και φics που παρουσιάζουν ζημιές καθώς και καλώδια σύνδεσης που δεν ανταποκρίνονται στους σχετικούς κανονισμούς.

Μην ακουμπάτε τη μονάδα κοπής (μαχαίρια) προτού αποσυνδέσετε το εργαλείο από το ρεύμα.

Φροντίζετε πάντοτε, ώστε τα ηλεκτρικά καλώδια που χρησιμοποιούνται να προστατεύονται επαρκώς με κατάλληλη ασφάλεια.



Ο ηλεκτροκινητήρας είναι προστατευμένος έναντι της υγρασίας και του νερού. Παρ' όλα αυτά, το εργαλείο δεν επιτρέπεται να χρησιμοποιείται σε υγρό περιβάλλον ή όταν βρέχει.

Σε εξωτερικούς χώρους, χρησιμοποιήστε αποκλειστικά και μόνο καλώδια προέκτασης που διαθέτουν μόνωση από την υγρασία και είναι κατάλληλα για τη χρήση μαζί με το εργαλείο (⇒ 10.1).

Κατά τις χλοοκοπτικές εργασίες κρατάτε το καλώδιο μακριά από το μαχαίρι.

Αποσυνδέστε το καλώδιο σύνδεσης τραβώντας το φics και όχι τον κορμό του καλωδίου.

Εάν το εργαλείο συνδεθεί σε ηλεκτρογεννήτρια, θα πρέπει να φροντίσετε να μην προκληθούν βλάβες λόγω των διακυμάνσεων τάσης.

Συνδέστε το εργαλείο μόνο σε ηλεκτρικό δίκτυο που προστατεύεται με διακόπτη διαφυγής ρεύματος, με ρεύμα απόκρισης 30 mA κατά μέγιστο. Απευθυνθείτε σε έναν ηλεκτρολόγο για περισσότερες πληροφορίες.

Για λόγους ηλεκτρικής ασφάλειας θα πρέπει το ηλεκτρικό καλώδιο να είναι πάντα σωστά τοποθετημένο στο τιμόνι.

4.3 Ενδυμασία και εξοπλισμός



Κατά την εργασία θα πρέπει να φοράτε πάντοτε κλειστά ανθεκτικά υποδήματα με αντιολισθητική σόλα. Μην εργάζεστε ποτέ εάν δεν φοράτε υποδήματα ή π.χ. όταν φοράτε πέδιλα.



Κατά την εκτέλεση εργασιών συντήρησης και καθαρισμού καθώς και κατά τη μεταφορά του εργαλείου, φοράτε πάντα ανθεκτικά γάντια, ενώ τα μακριά μαλλιά πρέπει να δένονται και να καλύπτονται (με μαντίλι, καπέλο κ.λπ.).



Φοράτε πάντα κατάλληλα προστατευτικά γυαλιά όταν τροχίζετε το μαχαίρι κοπής.

Για τη χρήση του εργαλείου ο χειριστής πρέπει να φορά μακρύ παντελόνι και εφαρμοστά ρούχα.

Μην φοράτε ποτέ φαρδιά ρούχα, τα οποία μπορεί να πιαστούν στα κινητά μέρη του εργαλείου (μοχλοί χειρισμού). Επίσης, μην φοράτε κοσμήματα, γραβάτες και κασκόλ.

4.4 Μεταφορά του εργαλείου

Εργάζεστε μόνο με γάντια προκειμένου να αποφύγετε τους τραυματισμούς από τα αιχμηρά ή θερμά μέρη του εργαλείου.

Πριν από τη μεταφορά θέστε εκτός λειτουργίας το εργαλείο, αποσυνδέστε το ηλεκτρικό καλώδιο και ακινητοποιήστε το μαχαίρι.

Μεταφέρετε το εργαλείο μόνον αφού πρώτα κρυώσει ο ηλεκτροκινητήρας.

Προσέξτε το βάρος του εργαλείου και χρησιμοποιήστε κατάλληλα βοηθήματα φόρτωσης (ράμπα φόρτωσης, ανυψωτικά).

Ασφαλίστε το εργαλείο και τα πρόσθετα εξαρτήματα που μεταφέρετε μαζί μ' αυτό (π.χ. χορτοσυλλέκτη) επάνω στην επιφάνεια φόρτωσης με υλικά στερέωσης κατάλληλων διαστάσεων (ιμάντες, σχοινιά κ.λπ.).

Κατά την ανύψωση και τη μεταφορά αποφύγετε την επαφή με το μαχαίρι κοπής.

Προσέξτε ιδιαίτερα τις υποδείξεις στο κεφάλαιο «Μεταφορά». Σ' αυτό περιγράφεται ο τρόπος ανύψωσης ή πρόσδεσης του εργαλείου. (⇒ 12.1)

Τηρείτε τους τοπικούς κανονισμούς που ορίζονται από τη νομοθεσία για τη μεταφορά του εργαλείου και ειδικότερα αυτούς που αφορούν την ασφάλεια φορτίου και τη μεταφορά αντικειμένων επάνω σε επιφάνειες φόρτωσης.

4.5 Πριν την εργασία

Θα πρέπει να εξασφαλιστεί ότι μ' αυτό το εργαλείο θα εργαστούν μόνον άτομα που γνωρίζουν τις οδηγίες χρήσης.

Δώστε προσοχή στους τοπικούς κανονισμούς που αφορούν τους χρόνους λειτουργίας και χρήσης μηχανοκίνητων εργαλείων κήπου με κινητήρα εσωτερικής καύσης ή ηλεκτροκινητήρα.

Ελέγξτε προσεκτικά την περιοχή όπου θα χρησιμοποιήσετε το εργαλείο και απομακρύνετε πέτρες, κλαδιά, σύρματα, κόκαλα και άλλα ξένα αντικείμενα που μπορεί να εκσφενδονιστούν από το εργαλείο. Τα εμπόδια (π.χ. κομμένοι κορμοί δέντρων, ρίζες) δεν γίνονται εύκολα αντιληπτά στο ψηλό χόρτο.

Για το λόγο αυτό, μαρκάρετε πριν από την εργασία με το εργαλείο όλα τα ξένα σώματα (εμπόδια) τα οποία είναι ενσωματωμένα στο χλοοτάπητα και δεν μπορούν να απομακρυνθούν.

Πριν από τη χρήση του εργαλείου θα πρέπει να αντικατασταθούν τα φθαρμένα ή ελαττωματικά εξαρτήματα. Οι δυσανάγνωστες ή οι φθαρμένες πινακίδες υποδείξεων και προειδοποιήσεων στο εργαλείο θα πρέπει να αντικαθίστανται άμεσα. Ο αντιπρόσωπος της STIHL διαθέτει εφεδρικές αυτοκόλλητες πινακίδες και όλα τα υπόλοιπα ανταλλακτικά.

Το εργαλείο επιτρέπεται να χρησιμοποιείται μόνο όταν βρίσκεται σε κατάσταση ασφαλούς λειτουργίας. Πριν από κάθε έναρξη λειτουργίας ελέγξτε:

- εάν το εργαλείο έχει συναρμολογηθεί σύμφωνα με τον προβλεπόμενο τρόπο.
- εάν το κοπτικό εργαλείο και ολόκληρο το σύστημα κοπής (μαχαίρι κοπής, εξαρτήματα στερέωσης, περιβλήμα συστήματος κοπής) βρίσκονται σε άριστη κατάσταση. Ειδικότερα, θα πρέπει να ελέγχετε τη σταθερή εφαρμογή καθώς και την ύπαρξη ζημιών (ρωγμές ή αυλακώσεις) και φθοράς.
- εάν οι διατάξεις ασφαλείας (π. χ. στόμιο εξαγωγής, περιβλήμα, τιμόνι, μπάρα διακοπής του κινητήρα) βρίσκονται σε άριστη κατάσταση και λειτουργούν σωστά.

– εάν ο χορτοσυλλέκτης δεν φέρει ζημιές και έχει συναρμολογηθεί κανονικά. Δεν επιτρέπεται να χρησιμοποιηθεί ένας ελαττωματικός χορτοσυλλέκτης.

– εάν το φρένο ακινητοποίησης του ηλεκτροκινητήρα λειτουργεί.

Εάν χρειαστεί, πραγματοποιήστε όλες τις απαιτούμενες εργασίες ή αναζητήστε έναν εμπορικό αντιπρόσωπο. Η STIHL προτείνει τον εμπορικό αντιπρόσωπο STIHL.

Προσέξτε ιδιαίτερα τις υποδείξεις στο κεφάλαιο «Κίνδυνοι από ηλεκτρικό ρεύμα» (⇒ 4.2).

Μη θέτετε ποτέ τον ηλεκτροκινητήρα εντός λειτουργίας εάν το μαχαίρι δεν έχει τοποθετηθεί με τον προβλεπόμενο τρόπο. Κίνδυνος υπερθέρμανσης του ηλεκτροκινητήρα!

4.6 Κατά τις εργασίες



Μην εργάζεστε ποτέ όταν βρίσκονται στην επικίνδυνη περιοχή ζώα ή άλλα άτομα, και ειδικά παιδιά.

Δεν επιτρέπεται να αφαιρεθούν ή να παρακαμφθούν τα χειριστήρια και οι διατάξεις ασφαλείας που έχουν τοποθετηθεί στο εργαλείο. Ειδικότερα δεν πρέπει ποτέ να σταθεροποιείτε την μπάρα διακοπής του κινητήρα επάνω στην μπάρα του τιμονιού (π.χ. δένοντάς την).

Το τιμόνι θα πρέπει να είναι πάντα σωστά τοποθετημένο και δεν πρέπει να έχει τροποποιηθεί. Μη θέτετε ποτέ σε λειτουργία το εργαλείο όταν το τιμόνι είναι αναδιπλωμένο.

Μη στερεώνετε ποτέ αντικείμενα στο τιμόνι (π.χ. ρουχισμό εργασίας). Τα καλώδια προέκτασης δεν πρέπει να τυλίγονται γύρω από το τιμόνι.

Εργάζεστε πάντοτε με το φως της ημέρας ή σε συνθήκες καλού τεχνητού φωτισμού.

Μην εργάζεστε σε θερμοκρασίες περιβάλλοντος κάτω από +5°C.

Μην εργάζεστε με το εργαλείο σε βροχή, καταιγίδα και ειδικότερα όταν υπάρχει κίνδυνος κεραυνοπληξίας.

Σε υγρό έδαφος υπάρχει αυξημένος κίνδυνος τραυματισμών λόγω περιορισμένης σταθερότητας.

Θα πρέπει να εργάζεστε με ιδιαίτερη προσοχή για να μη γλιστρήσετε. Εάν είναι δυνατό, θα πρέπει να αποφεύγεται η χρήση του εργαλείου σε υγρό έδαφος.

Μην αφήνετε το εργαλείο στη βροχή.

Θέση εργαλείου σε λειτουργία:

Θέτετε το εργαλείο σε λειτουργία πάντοτε με ιδιαίτερη προσοχή, σύμφωνα με τις υποδείξεις του κεφαλαίου «Θέση του εργαλείου σε λειτουργία». (⇒ 10.) Προσέξτε, θα πρέπει τα πόδια σας να απέχουν αρκετά από τα κοπτικά εργαλεία.

Κατά την ενεργοποίησή του το εργαλείο πρέπει να βρίσκεται σε επίπεδη επιφάνεια.

Το εργαλείο δεν επιτρέπεται να ανατραπεί πριν την ενεργοποίηση και κατά τη διαδικασία ενεργοποίησής του.

Μην θέτετε τον ηλεκτροκινητήρα σε λειτουργία εάν ο αγωγός εξαγωγής δεν είναι καλυμμένος από το στόμιο εξαγωγής ή το χορτοσυλλέκτη.

Θα πρέπει να αποφεύγονται οι συχνές ενεργοποιήσεις εντός μικρού χρονικού διαστήματος. Ειδικά θα πρέπει να

αποφεύγεται το «παιχνίδι» με το πλήκτρο ενεργοποίησης. Κίνδυνος υπερθέρμανσης του ηλεκτροκινητήρα!

Εργασίες σε πλαγιές:

Εργάζεστε πάντα κάθετα προς τις πλαγιές και ποτέ κατά μήκος αυτών.

Εάν ο χειριστής χάσει τον έλεγχο όταν κόβει το χόρτο κατά μήκος της πλαγιάς, μπορεί να παρασυρθεί από το εργαλείο.

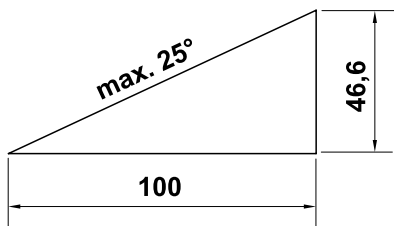
Να είστε ιδιαίτερα προσεκτικοί όταν αλλάζετε πορεία σε πλαγιές και εδάφη με κλίση.

Φροντίζετε πάντα για την καλή ευστάθεια σε πλαγιές και αποφεύγετε την εργασία με το εργαλείο σε απότομες πλαγιές.

Για λόγους ασφαλείας, το εργαλείο δεν πρέπει να χρησιμοποιείται σε πλαγιές με κλίση μεγαλύτερη από 25° (46,6 %).

Κίνδυνος τραυματισμών!

Η κλίση πλαγιάς κατά 25° αντιστοιχεί σε κάθετη υψομετρική διαφορά 46,6 cm σε οριζόντια επιφάνεια μήκους 100 cm.



Εργασία:



Προσοχή – Κίνδυνος τραυματισμών!

Μην πλησιάζετε ποτέ τα χέρια ή τα πόδια σας επάνω ή κάτω από τα περιστρεφόμενα μέρη. Μην έρχεστε ποτέ σε επαφή με το περιστρεφόμενο μαχαίρι. Κρατάτε πάντοτε

απόσταση από το άνοιγμα εξαγωγής. Θα πρέπει να διατηρείτε την οριζόμενη απόσταση ασφαλείας από το τιμόνι.



Μην προσπαθείτε να επιθεωρήσετε το μαχαίρι όταν το εργαλείο βρίσκεται σε λειτουργία. Μην ανοίγετε ποτέ το στόμιο εξαγωγής χόρτου ή/και μην αφαιρείτε το χορτοσυλλέκτη όσο το μαχαίρι κοπής βρίσκεται σε λειτουργία. Το περιστρεφόμενο μαχαίρι μπορεί να προκαλέσει τραυματισμούς.

Να οδηγείτε πάντα το εργαλείο με ταχύτητα βάδην, σε καμία περίπτωση δεν πρέπει να τρέχετε όταν εργάζεστε.

Οδηγώντας γρήγορα το εργαλείο αυξάνεται ο κίνδυνος τραυματισμών π.χ. από γλίστρημα κλπ.

Να είστε ιδιαίτερα προσεκτικοί όταν κάνετε ελιγμούς με το εργαλείο ή όταν το τραβάτε προς το μέρος σας.

Υπάρχει μεγάλος κίνδυνος να σκοντάψετε!

Μην ανασκώνεται και μη μεταφέρετε ποτέ το εργαλείο όσο ο ηλεκτροκινητήρας βρίσκεται σε λειτουργία ή όταν το καλώδιο ρεύματος είναι συνδεδεμένο.

Τα αντικείμενα που ενδεχομένως είναι ενσωματωμένα στο χλοοτάπητα (συστήματα ποτίσματος, πάσσαλοι, βαλβίδες νερού, βάσεις θεμελίωσης, ηλεκτρικά καλώδια κ.λπ.) πρέπει να παρακάμπτονται. Μην περνάτε ποτέ πάνω από τέτοια αντικείμενα.

Χρησιμοποιείτε το εργαλείο με ιδιαίτερη προσοχή, όταν εργάζεστε κοντά σε πλαγιές, στις άκρες του οικοπέδου, σε τάφρους και δεξαμενές. Ειδικότερα, θα πρέπει να τηρείτε επαρκή απόσταση από αυτά τα επικίνδυνα σημεία.

Σε περίπτωση που το κοπτικό εργαλείο ή το μηχάνημα έρθει σε επαφή με κάποιο εμπόδιο ή ξένο σώμα, θα πρέπει να θέσετε τον ηλεκτροκινητήρα εκτός λειτουργίας, να αποσυνδέσετε το καλώδιο ρεύματος και να πραγματοποιήσετε έναν εκτεταμένο έλεγχο.



STOP

Δώστε προσοχή στην περιστροφή του κοπτικού εργαλείου, θα χρειαστούν μερικά δευτερόλεπτα για την πλήρη ακινητοποίησή του.

Θέστε τον ηλεκτροκινητήρα εκτός λειτουργίας,

- όταν το εργαλείο θα πρέπει κατά τη μεταφορά να ανατραπεί επάνω από άλλες επιφάνειες εκτός του χόρτου,
- όταν μετακινείτε το εργαλείο από και προς την επιφάνεια κοπής,
- πριν αφαιρέσετε το χορτοσυλλέκτη.
- πριν ρυθμίσετε το ύψος κοπής.



Θέστε τον ηλεκτροκινητήρα εκτός λειτουργίας, αποσυνδέστε το φως από τη πρίζα και βεβαιωθείτε ότι το κοπτικό εργαλείο έχει ακινητοποιηθεί τελείως,

- προτού απομακρύνετε αντικείμενα που έχουν φρακάρει στον αγωγό εξαγωγής,
- όταν το κοπτικό εργαλείο έρθει σε επαφή με ένα ξένο σώμα. Το κοπτικό εργαλείο θα πρέπει να ελεγχθεί για τυχόν ζημιές. Το εργαλείο δεν επιτρέπεται να τεθεί σε λειτουργία εάν ο άξονας του μαχαιριού ή ο άξονας του ηλεκτροκινητήρα έχει στραβώσει ή έχει υποστεί φθορές. **Κίνδυνος τραυματισμού από ελαττωματικά εξαρτήματα!**

- πριν ελέγξετε, καθαρίσετε ή εκτελέσετε εργασίες στο εργαλείο (π. χ. ρύθμιση του ύψους κοπής, αναδίπλωση/ρύθμιση του τιμονιού),
- προτού απομακρυνθείτε από το εργαλείο ή εάν το εργαλείο δεν επιτηρείται,
- προτού ανασηκώσετε ή μεταφέρετε το εργαλείο,
- πριν από τη μεταφορά,
- εάν έχετε χτυπήσει ένα ξένο σώμα ή εάν το εργαλείο αρχίσει να δονείται ασυνήθιστα. Σε αυτές τις περιπτώσεις ελέγξτε το εργαλείο και ειδικότερα το σύστημα κοπής (μαχαίρι, άξονας μαχαιριού, στερέωση μαχαιριού) για τυχόν ζημιές και πραγματοποιήστε τις απαιτούμενες επισκευές προτού θέσετε πάλι το εργαλείο σε λειτουργία και το χρησιμοποιήσετε.



Κίνδυνος τραυματισμών!

Οι έντονοι κραδασμοί συνήθως αποτελούν ένδειξη βλάβης. Το εργαλείο δεν επιτρέπεται να τεθεί σε λειτουργία εάν ο άξονας του μαχαιριού έχει στραβώσει ή έχει υποστεί φθορές ή εάν το μαχαίρι κοπής έχει στραβώσει. Εάν δεν έχετε τις απαιτούμενες γνώσεις, θα πρέπει να απευθύνεστε πάντα σε έναν εμπορικό αντιπρόσωπο για τις απαιτούμενες επισκευές – η STIHL προτείνει τον εμπορικό αντιπρόσωπο STIHL.

Λόγω των διακυμάνσεων της τάσης που οφείλονται στη λειτουργία αυτού του εργαλείου, ενδέχεται να προκληθούν προβλήματα σε άλλες συσκευές που έχουν συνδεθεί στο ίδιο δίκτυο. Αυτό μπορεί να αντιμετωπιστεί με κατάλληλα

μέτρα (π.χ. σύνδεση σε άλλο κύκλωμα από τις εν λόγω συσκευές, λειτουργία του εργαλείου σε ηλεκτρικό κύκλωμα με μικρότερη αντίσταση).

4.7 Συντήρηση, καθαρισμός, επισκευές και αποθήκευση



Πριν από κάθε εργασία στο εργαλείο πριν από τις ρυθμίσεις και τον καθαρισμό, αλλά και πριν ελέγξετε εάν το καλώδιο

σύνδεσης έχει υποστεί φθορές ή έχει μπλεχτεί κάπου, θα πρέπει να θέσετε το εργαλείο εκτός λειτουργίας και να τραβήξετε το καλώδιο από την πρίζα.

Αφήστε το εργαλείο να κρυώσει τελείως πριν από τη φύλαξη σε κλειστούς χώρους, τις εργασίες συντήρησης και τον καθαρισμό.

Καθαρισμός:

Μετά τις εργασίες θα πρέπει ολόκληρο το εργαλείο να καθαριστεί σχολαστικά. (⇒ 11.2)

Με μια ζύλινη βέργα, αφαιρέστε τα συσσωρευμένα υπολείμματα χόρτου. Καθαρίστε το κάτω μέρος του χλοοκοπτικού μηχανήματος με βούρτσα και νερό.

Μη χρησιμοποιείτε ποτέ μηχανήμα καθαρισμού υψηλής πίεσης και μην καθαρίζετε το εργαλείο κάτω από τρεχούμενο νερό (π. χ. με ένα λάστιχο ποτίσματος). Μην χρησιμοποιείτε σκληρά καθαριστικά μέσα. Αυτά μπορούν να προκαλέσουν φθορές στα πλαστικά και τα μέταλλα, κάτι που περιορίζει την ασφάλειά του εργαλείου STIHL.

Για να αποφύγετε τον κίνδυνο πυρκαγιάς, κρατήστε την περιοχή των εισαγωγών του αέρα ψύξης ανάμεσα στο κάλυμμα του ηλεκτροκινητήρα και το περιβλήμα καθαρή π.χ. από χόρτα, άχυρα, βρύα, φύλλα ή γράσο.

Εργασίες συντήρησης:

Επιτρέπεται να εκτελεστούν μόνον οι εργασίες συντήρησης που περιγράφονται στις οδηγίες χρήσης, όλες οι άλλες εργασίες θα πρέπει να ανατεθούν στον εμπορικό αντιπρόσωπο.

Εάν δεν έχετε τις απαιτούμενες γνώσεις και τα βοηθήματα, να απευθύνεστε **πάντα** σε έναν εμπορικό αντιπρόσωπο.

Η STIHL προτείνει, οι εργασίες συντήρησης και οι επισκευές να πραγματοποιούνται μόνο από έναν εμπορικό αντιπρόσωπο STIHL. Οι εμπορικοί αντιπρόσωποι STIHL παρακολουθούν τακτικά εκπαιδευτικά σεμινάρια και έχουν στη διάθεσή τους τις απαραίτητες τεχνικές πληροφορίες.

Χρησιμοποιήστε μόνο εργαλεία, πρόσθετο εξοπλισμό και προσαρμοζόμενα μηχανήματα που έχουν εγκριθεί από την STIHL για αυτό το εργαλείο ή αλλά τεχνικά ίδια εξαρτήματα, διαφορετικά υπάρχει κίνδυνος να προκληθούν ατυχήματα με σωματικές βλάβες και ζημιές στο εργαλείο. Εάν έχετε απορίες θα πρέπει να απευθυνθείτε σε έναν εμπορικό αντιπρόσωπο.

Τα γνήσια εργαλεία, ο πρόσθετος εξοπλισμός και τα ανταλλακτικά STIHL είναι ειδικά σχεδιασμένα για το εργαλείο και έχουν προσαρμοστεί στις ανάγκες και τις απαιτήσεις του χρήστη. Τα γνήσια ανταλλακτικά STIHL θα τα αναγνωρίσετε από τον κωδικό ανταλλακτικού STIHL, την επιγραφή STIHL και ενδεχομένως από το

αναγνωριστικό σήμα ανταλλακτικών STIHL. Στα μικρά εξαρτήματα ενδέχεται να υπάρχει μόνο το σήμα.

Διατηρείτε τα αυτοκόλλητα υποδείξεων και προειδοποιήσεων πάντοτε καθαρά και ευανάγνωστα. Τα φθαρμένα ή χαμένα αυτοκόλλητα θα πρέπει να αντικαθιστώνται με νέα γνήσια αυτοκόλλητα από τον εμπορικό αντιπρόσωπο STIHL. Σε περίπτωση που ένα εξάρτημα αντικατασταθεί από ένα νέο ανταλλακτικό, φροντίστε να τοποθετήσετε σ' αυτό τα ίδια αυτοκόλλητα.

Οι εργασίες στο σύστημα κοπής θα πρέπει να γίνονται με ιδιαίτερη προσοχή και μόνο με τη χρήση χοντρών γαντιών εργασίας.

Διατηρείτε πάντοτε καλά σφιγμένα όλα τα παξιμάδια, τους πείρους και τις βίδες, και ειδικότερα τη βίδα μαχαιριού, ώστε το εργαλείο να βρίσκεται πάντα σε ασφαλή κατάσταση λειτουργίας.

Ελέγχετε τακτικά ολόκληρο το εργαλείο και το χορτοσυλλέκτη, ειδικότερα πριν από την αποθήκευση (π.χ. πριν από τη χειμερινή παύση εργασιών) για τυχόν φθορές και ζημιές. Για λόγους ασφαλείας θα πρέπει να αντικαταστήσετε αμέσως τα φθαρμένα τμήματα ή τα τμήματα που έχουν υποστεί ζημιά, ώστε το εργαλείο να βρίσκεται σε μία ασφαλή κατάσταση λειτουργίας.

Τα κατασκευαστικά μέρη και τα προστατευτικά συστήματα που αφαιρούνται πριν από τις εργασίες συντήρησης πρέπει αμέσως μετά την ολοκλήρωση των εργασιών να επανατοποθετηθούν στη σωστή θέση τους.

Ελέγχετε τακτικά το μαχαίρι κοπής για την ασφαλή στερέωσή του καθώς και για τυχόν φθορές ή ζημιές.

4.8 Αποθήκευση σε μεγαλύτερα διαστήματα παύσης της λειτουργίας

Αποθηκεύστε το εργαλείο αφού κρυώσει σε ένα στεγνό και κλειστό χώρο.

Βεβαιωθείτε ότι το εργαλείο προστατεύεται από μη εξουσιοδοτημένη χρήση (π.χ. από παιδιά).

Καθαρίστε σχολαστικά το εργαλείο πριν από την αποθήκευση (π.χ. χειμερινή παύση).

Το εργαλείο θα πρέπει να φυλάσσεται μόνον σε ασφαλή για τη λειτουργία του κατάσταση.

4.9 Απόρριψη

Βεβαιωθείτε ότι θα παραδώσετε το αχρηστευμένο χλοοκοπτικό για απόρριψη σε ένα σημείο συλλογής απορριμμάτων. Αχρηστέψτε το εργαλείο πριν την απόρριψη. Για να αποτρέψετε τα ατυχήματα αφαιρέστε το ηλεκτρικό καλώδιο ή το καλώδιο σύνδεσης στον ηλεκτροκινητήρα.

Κίνδυνος τραυματισμού από το κοπτικό εργαλείο!

Μην αφήνετε χωρίς επιτήρηση το εργαλείο ακόμα και όταν είναι αχρηστευμένο. Βεβαιωθείτε ότι το μηχάνημα και το κοπτικό εργαλείο φυλάσσονται μακριά από παιδιά.

5. Περιγραφή συμβόλων



Προσοχή!

Πριν από τη θέση σε λειτουργία, διαβάστε προσεκτικά τις οδηγίες χρήσης και τις υποδείξεις ασφαλείας.



Κίνδυνος τραυματισμών!

Κρατήστε τα τρίτα άτομα μακριά από την επικίνδυνη περιοχή.



Κίνδυνος τραυματισμών!

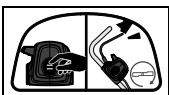
Κρατάτε τα χέρια και τα πόδια σας μακριά από τα μαχαίρια. Δώστε προσοχή στο αιχμηρό μαχαίρι κοπής. Το μαχαίρι κοπής συνεχίζει να περιστρέφεται μερικά δευτερόλεπτα μετά την απενεργοποίηση (φρένο κινητήρα/ μαχαιριού). Πριν από κάθε εργασία στο κοπτικό εργαλείο, πριν από τις εργασίες συντήρησης και καθαρισμού, πριν από τον έλεγχο εάν το καλώδιο σύνδεσης έχει υποστεί φθορές ή έχει μπλεχτεί κάπου και πριν απομακρυνθείτε από το εργαλείο, θα πρέπει να θέσετε τον κινητήρα εκτός λειτουργίας και να τραβήξετε το καλώδιο από την πρίζα.



Κίνδυνος ηλεκτροπληξίας! Κρατάτε το καλώδιο σύνδεσης μακριά από το κοπτικό εξάρτημα.



Μην εργάζεστε στη βροχή και σε υγρά περιβάλλοντα.



Θέστε τον ηλεκτροκινητήρα σε λειτουργία.



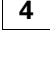
6. Προετοιμασία του εργαλείου για χρήση


6.1 Συναρμολόγηση χλοοκοπτικού μηχανήματος



Κίνδυνος τραυματισμών

Προσέξτε ιδιαίτερα τις υποδείξεις ασφαλείας στο κεφάλαιο «Για τη δική σας ασφάλεια». (⇒ 4.)

- Πραγματοποιήστε τη συναρμολόγηση σε ένα οριζόντιο, επίπεδο και σταθερό υπόστρωμα. Ελέγξτε τα περιεχόμενα συσκευασίας πριν από τη συναρμολόγηση. 
- Συναρμολογήστε τον χορτοσυλλέκτη και τοποθετήστε τα κάτω τμήματα του τιμονιού (D) – προσέξτε τη ροπή σύσφιξης. 
- Τοποθετήστε το επάνω τμήμα του τιμονιού στο επιθυμητό ύψος, επάνω στα κάτω τμήματα τιμονιού, και κρατήστε το σ' αυτήν τη θέση. (⇒ 7.3) 

- Τοποθετήστε το επάνω τμήμα του τιμονιού, περάστε το καλώδιο ρεύματος στον οδηγό καλωδίου (J) με τον τρόπο που απεικονίζεται και συγκρατήστε τον με τα κλιπ καλωδίου (K) στο τιμόνι. 
- Τοποθετήστε τον χορτοσυλλέκτη. (⇒ 7.1)

7. Χειριστήρια

7.1 Χορτοσυλλέκτης


Τοποθέτηση:

- Ανοίξτε και κρατήστε ανοικτό το στόμιο εξαγωγής (1).
- Περάστε το χορτοσυλλέκτη (2) με τα ρύγχη συγκράτησης στις υποδοχές (3) στην πίσω πλευρά του εργαλείου.
- Κλείστε το στόμιο εξαγωγής (1).

Αφαίρεση:

- Ανοίξτε και κρατήστε ανοικτό το στόμιο εξαγωγής (1).
- Ανασηκώστε το χορτοσυλλέκτη (2) και αφαιρέστε τον προς τα πίσω.
- Κλείστε το στόμιο εξαγωγής (1).

7.2 Ένδειξη στάθμης πλήρωσης

Η ροή αέρα που δημιουργείται από το μαχαίρι ανασηκώνει την ένδειξη στάθμης πλήρωσης (1). Όταν ο χορτοσυλλέκτης γεμίσει, διακόπτεται η ροή αέρα. Όταν η ροή αέρα είναι πολύ μικρή, η ένδειξη της στάθμης πλήρωσης (1) επιστρέφει στην αρχική της θέση. Αυτό υποδηλώνει ότι πρέπει να εκκενωθεί ο χορτοσυλλέκτης. 

Η απρόσκοπτη λειτουργία της ένδειξης στάθμης πλήρωσης είναι δεδομένη μόνο όταν υπάρχει σωστή ροή αέρα. Οι εξωτερικές επιδράσεις, όπως βρεγμένο, πυκνό ή ψηλό χόρτο, οι χαμηλές σκάλες κοπής χόρτου, οι ρύποι κ.ά. μπορεί να περιορίσουν τη ροή αέρα και τη λειτουργία της ένδειξης στάθμης πλήρωσης.

A ο χορτοσυλλέκτης γεμίζεται

B ο χορτοσυλλέκτης είναι γεμάτος

- Εκκένωση του χορτοσυλλέκτη (⇒ 10.5).

7.3 Τιμόνι

Κίνδυνος σύνθλιψης!

Με το λύσιμο των περιστρεφόμενων χειρολαβών μπορεί να διπλώσει το επάνω τμήμα του τιμονιού. Κρατάτε πάντα το επάνω τμήμα του τιμονιού (2) στο ψηλότερο σημείο με το ένα χέρι, ενώ λύνετε τις περιστρεφόμενες χειρολαβές.

I Αναδίπλωση επάνω τμήματος τιμονιού:

Θέση μεταφοράς – για τη μεταφορά και φύλαξη:

- Ξεβιδώστε τις περιστρεφόμενες χειρολαβές (1) τόσο, ώστε αυτές να περιστρέφονται ελεύθερα και διπλώστε προς τα μπροστά το επάνω τμήμα του τιμονιού (2). Προσέξτε ώστε να μην προκληθούν φθορές στο ηλεκτρικό καλώδιο.

Θέση εργασίας – για την ώθηση του εργαλείου:

- Διπλώστε το επάνω τμήμα του τιμονιού (2) προς τα πίσω και κρατήστε το με το ένα χέρι.
- Βιδώστε τις περιστρεφόμενες χειρολαβές (1).

2 Ρύθμιση ύψους:

Το επάνω τμήμα του τιμονιού μπορεί να ρυθμιστεί σε 2 ύψη:

- Λύστε τις περιστρεφόμενες χειρολαβές (1) και αφαιρέστε τις βίδες (3).
- Φέρτε το επάνω τμήμα τιμονιού (2) στο επιθυμητό ύψος:
οπή **A** – ψηλή θέση
οπή **B** – χαμηλή θέση
- Περάστε τις βίδες (3) μέσα από τις οπές του κάτω και του επάνω τμήματος τιμονιού, βιδώστε τις περιστρεφόμενες χειρολαβές (1).

7.4 Κεντρική ρύθμιση ύψους κοπής



Μπορούν να ρυθμιστούν **πέντε** διαφορετικά ύψη κοπής.

Σκάλα 1:

μικρότερο ύψος κοπής (25 mm)

Σκάλα 5:

μεγαλύτερο ύψος κοπής (65 mm)

Ρύθμιση ύψους κοπής:

- Πιέστε τον μοχλό ασφάλισης (1) προς τα έξω και κρατήστε τον σ' αυτήν τη θέση.
- Ρυθμίστε το επιθυμητό ύψος κοπής μετακινώντας το εργαλείο πάνω-κάτω.

- Απελευθερώστε τον μοχλό ασφάλισης (1) και αφήστε τον να κουμπώσει.

8. Υποδείξεις για την εργασία

8.1 Γενικά



Κίνδυνος τραυματισμών!

Ξετυλίξτε το καλώδιο αμέσως σε περίπτωση που μπλεχτεί.

Κατά την κοπή του χόρτου φέρετε το ηλεκτρικό καλώδιο σύνδεσης πίσω σας. Τα καλώδια μπορεί να κοπούν λόγω κάποιας απροσεξίας κατά την εργασία ή να μετατραπούν σε ένα εμπόδιο στο οποίο μπορεί να σκοντάψετε. Επομένως κρύβουσαν έναν μεγάλο κίνδυνο ατυχημάτων. Για το λόγο αυτό εκτελείτε τις εργασίες με τέτοιο τρόπο ώστε το καλώδιο να βρίσκεται πάντοτε στην ήδη κομμένη επιφάνεια.

Ένα όμορφο και πυκνό γκαζόν επιτυγχάνεται με συχνή κοπή και με τη διατήρηση του ύψους σε χαμηλό επίπεδο.

Μην κόβετε το χόρτο πολύ κοντό όταν το κλίμα είναι ιδιαίτερα ζεστό και ξηρό, διαφορετικά το χόρτο θα καεί από τον ήλιο!

Η εικόνα κοπής είναι ιδανική όταν χρησιμοποιείτε ένα κοφτερό μαχαίρι, για το λόγο αυτό θα πρέπει να το τροχίζετε τακτικά (εμπορικός αντιπρόσωπος STIHL).

8.2 Σωστή καταπόνηση του ηλεκτροκινητήρα

Μη θέτετε το χλοοκοπτικό μηχάνημα σε λειτουργία σε περιοχές όπου το χόρτο έχει μεγάλο ύψος ή όταν έχετε επιλέξει τη χαμηλότερη σκάλα ύψους κοπής.

Το εργαλείο επιτρέπεται να καταπονηθεί τόσο ώστε να μη μειώνονται αισθητά οι στροφές του ηλεκτροκινητήρα.

Εάν οι στροφές αρχίζουν να μειώνονται αισθητά θα πρέπει να επιλέξετε ένα μεγαλύτερο ύψος κοπής και/ή να μειώσετε την ταχύτητα πρόωσης.

8.3 Εάν το μαχαίρι κοπής μπλοκάρει

Θέστε αμέσως τον ηλεκτροκινητήρα εκτός λειτουργίας και τραβήξτε το καλώδιο από τη πρίζα. Στη συνέχεια αντιμετωπίστε τη βλάβη με τον ενδεικνυόμενο τρόπο.

8.4 Θερμική προστασία υπερφόρτισης του ηλεκτροκινητήρα

Αν ο ηλεκτροκινητήρας για οποιονδήποτε λόγο καταπονηθεί υπερβολικά κατά την εργασία, η θερμική προστασία υπερφόρτισης θα σβήσει αυτόματα τον ηλεκτροκινητήρα.

Πιθανές αιτίες υπερθέρμανσης:

- κοπή πολύ υψηλού γρασιδιού ή με πολύ χαμηλό ύψος κοπής,
- πολύ μεγάλη ταχύτητα πρόωσης,
- ανεπαρκές καθάρισμα της εισαγωγής αέρα ψύξης (σχισμές αέρα ψύξης)
- φθαρμένα ή στομωμένα μαχαίρια κοπής,

- ακατάλληλο ή πολύ μακρύ καλώδιο σύνδεσης - πτώση τάσης (⇒ 10.1).

Επανεκκίνηση

Μετά από σύντομο χρόνο ψύξης περίπου 20 λεπτών, (ανάλογα με τη θερμοκρασία περιβάλλοντος), ξεκινήστε πάλι κανονικά το εργαλείο (⇒ 10.).

8.5 Περιοχή εργασίας του χειριστή



- Κατά τη λειτουργία του ηλεκτροκινητήρα, ο χειριστής θα πρέπει να βρίσκεται πάντα εντός της περιοχής εργασίας πίσω από το τιμόνι για λόγους ασφαλείας. Θα πρέπει να διατηρείτε την οριζόμενη απόσταση ασφαλείας από το τιμόνι.
- Ο χειρισμός του χλοοκοπτικού μηχανήματος επιτρέπεται να γίνεται αποκλειστικά και μόνο από ένα άτομο. Τα άλλα άτομα θα πρέπει να παραμένουν μακριά από την επικίνδυνη περιοχή. (⇒ 4.)

9. Συστήματα ασφαλείας

Το εργαλείο είναι εξοπλισμένο με διάφορες διατάξεις ασφαλείας για τον ασφαλή χειρισμό και την προστασία από ακατάλληλη χρήση.



Κίνδυνος τραυματισμών!

Εάν διαπιστώσετε κάποια βλάβη σε μία από τις διατάξεις ασφαλείας, δεν επιτρέπεται να θέσετε σε λειτουργία το εργαλείο. Στην περίπτωση αυτή, απευθυνθείτε σε εμπορικό αντιπρόσωπο. Η STIHL προτείνει τον εμπορικό αντιπρόσωπο STIHL.

9.1 Προστατευτικές διατάξεις

Το χλοοκοπτικό μηχανήμα είναι εξοπλισμένο με προστατευτικές διατάξεις που αποτρέπουν την ακούσια επαφή με το μαχαίρι κοπής και το υλικό κοπής. Σ' αυτές τις διατάξεις περιλαμβάνεται το περιβλημά, το στόμιο εξαγωγής, ο χορτοσυλλέκτης και το σωστά τοποθετημένο τιμόνι.

9.2 Χειρισμός με τα δύο χέρια

Ο ηλεκτροκινητήρας μπορεί να ενεργοποιηθεί μόνο εάν το πλήκτρο ενεργοποίησης πατηθεί και κρατηθεί πατημένο με το δεξί χέρι και μετά τραβηχθεί με το αριστερό χέρι η μπάρα διακοπής του κινητήρα προς το τιμόνι.

9.3 Φρένο ακινητοποίησης του ηλεκτροκινητήρα

Όταν απελευθερώσετε τη μπάρα διακοπής του κινητήρα το μαχαίρι ακινητοποιείται μέσα σε λιγότερο από 3 δευτερόλεπτα.

Το ενσωματωμένο φρένο ακινητοποίησης του ηλεκτροκινητήρα ελαχιστοποιεί τον χρόνο ακινητοποίησης μέχρι την ακινητοποίηση των μαχαϊριών.



Μετά την ενεργοποίηση του ηλεκτροκινητήρα το μαχαίρι κοπής περιστρέφεται και ακούγεται ένας ήχος περιστροφής. Ο χρόνος συνεχίζουσας λειτουργίας είναι αντίστοιχος με τη διάρκεια του ήχου περιστροφής μετά την απενεργοποίηση του ηλεκτροκινητήρα και μπορεί να μετρηθεί με χρονόμετρο.

10. Θέση του εργαλείου σε λειτουργία

10.1 Ηλεκτρική σύνδεση του εργαλείου



Κίνδυνος ηλεκτροπληξίας!

Προσέξτε ιδιαίτερα τις υποδείξεις ασφαλείας στο κεφάλαιο «Για τη δική σας ασφάλεια» (⇒ 4.2).

Εάν χρησιμοποιείτε καλώδιο προέκτασης σε καρούλι θα πρέπει να ξετυλίξετε πλήρως το καλώδιο, σε διαφορετική περίπτωση μπορεί να διαπιστωθεί μείωση της απόδοσης και υπερθέρμανση λόγω ηλεκτρικής αντίστασης.

Για τη σύνδεση επιτρέπεται να χρησιμοποιούνται τουλάχιστον καλώδια τα οποία δεν θα είναι ελαφρύτερα από τα καλώδια με λαστιχένιο περιβλημά τύπου **H07 RN-F DIN/VDE 0282**.

Ελάχιστη διατομή:

έως 25 m μήκος: 3 x 1,5 mm²
έως 50 m μήκος: 3 x 2,5 mm²

Οι ακροδέκτες των καλωδίων θα πρέπει να αποτελούνται από ελαστικό υλικό ή να διαθέτουν επένδυση από ελαστικό υλικό και να ανταποκρίνονται στο πρότυπο **DIN/VDE 0620**.

Η τάση και η συχνότητα του δικτύου θα πρέπει να συμφωνούν με τα στοιχεία που αναφέρονται στην πινακίδα ισχύος ή με τις υποδείξεις του κεφαλαίου «Τεχνικά Στοιχεία» (⇒ 17.).

Το καλώδιο τροφοδοσίας θα πρέπει να προστατεύεται από τις κατάλληλες ασφάλειες (⇒ 17.).

Αυτό το εργαλείο προορίζεται για λειτουργία σε δίκτυο ηλεκτρικής τροφοδοσίας με αντίσταση Z_{max} στο σημείο μετάβασης (οικιακή σύνδεση) το πολύ έως **0,49 Ohm** (στα 50Hz).

Ο χρήστης θα πρέπει να βεβαιωθεί ότι το εργαλείο λειτουργεί μόνο σε ένα δίκτυο ηλεκτρικής τροφοδοσίας που πληροί αυτές τις προδιαγραφές. Εάν χρειαστεί μπορείτε να ενημερωθείτε από την εταιρία ηλεκτροδότησης της περιοχής σας για την αντίσταση του συστήματος.

10.2 Σφιγκτήρας καλωδίου



Ο σφιγκτήρας καλωδίου εμποδίζει κατά τη διάρκεια των εργασιών την ακούσια αποσύνδεση του καλωδίου σύνδεσης και την πρόκληση βλάβης στο εργαλείο.

Το καλώδιο σύνδεσης θα πρέπει για το λόγο αυτό να είναι πάντα περασμένο στο σφιγκτήρα καλωδίου.

- Με το καλώδιο σύνδεσης (1) σχηματίστε μία θηλιά και περάστε την από το άνοιγμα (2).
- Περάστε τη θηλιά επάνω από το άγκιστρο (3) και σφίξτε την.

10.3 Θέση του χλοοκοπτικού μηχανήματος σε λειτουργία



Μη θέτετε τον ηλεκτροκινητήρα σε λειτουργία όταν το μηχάνημα βρίσκεται σε περιοχή με ψηλό χόρτο ή όταν έχει επιλεγεί το χαμηλότερο ύψος κοπής αφού έτσι γίνεται πιο δύσκολη η διαδικασία ενεργοποίησης.

- Πιέστε και κρατήστε πατημένο το πλήκτρο ενεργοποίησης (1). Τραβήξτε και κρατήστε την μπάρα διακοπής του κινητήρα (2).

- Μπορείτε να αφήσετε το πλήκτρο ενεργοποίησης (1) μετά το πάτημα της μπάρας διακοπής του κινητήρα (2).

10.4 Θέση του χλοοκοπτικού μηχανήματος εκτός λειτουργίας



- Απελευθερώστε την μπάρα διακοπής του κινητήρα (1). Το μαχαίρι κοπής και ο ηλεκτροκινητήρας ακινητοποιούνται μετά από λίγο.

10.5 Εκκένωση του χορτοσυλλέκτη



Κίνδυνος τραυματισμών!

Πριν την αφαίρεση του χορτοσυλλέκτη θα πρέπει για λόγους ασφαλείας να θέσετε εκτός λειτουργίας τον ηλεκτροκινητήρα εσωτερικής καύσης.

- Αφαιρέστε το χορτοσυλλέκτη. (⇒ 7.1)
- Ανοίξτε το χορτοσυλλέκτη από την ασφάλεια (1). Αναδιπλώστε και κρατήστε το επάνω μέρος χορτοσυλλέκτη (2). Αναδιπλώστε προς τα πίσω το χορτοσυλλέκτη και αδειάστε το υλικό κοπής.
- Κλείστε το χορτοσυλλέκτη.
- Τοποθετήστε το χορτοσυλλέκτη. (⇒ 7.1)

11. Συντήρηση

11.1 Γενικά



Κίνδυνος τραυματισμών!

Προσέξτε ιδιαίτερα τις υποδείξεις ασφαλείας στο κεφάλαιο "Για τη δική σας ασφάλεια" (⇒ 4.).

Ετήσια συντήρηση από τον εμπορικό αντιπρόσωπο:

Το χλοοκοπτικό μηχάνημα θα πρέπει να ελέγχεται μία φορά ετησίως από τον εμπορικό αντιπρόσωπο. Η STIHL προτείνει τον εμπορικό αντιπρόσωπο STIHL.

11.2 Καθαρισμός εργαλείου



Χρονικό διάστημα συντήρησης: Μετά από κάθε χρήση

- Τοποθετήστε το χλοοκοπτικό μηχάνημα σε μία σταθερή, οριζόντια και ομαλή επιφάνεια.
- Αφαιρέστε τον χορτοσυλλέκτη. (⇒ 7.1)
- Για τον καθαρισμό της κάτω πλευράς του εργαλείου ανατρέψτε προς το πλάι το χλοοκοπτικό μηχάνημα (1).
- Καθαρίστε το εργαλείο μόνο με νερό, με βούρτσα ή πανί. Με μια ξύλινη βέργα, αφαιρέστε τα συσσωρευμένα υπολείμματα χόρτου. Εάν χρειαστεί χρησιμοποιήστε κάποιο ειδικό καθαριστικό (π.χ. ειδικό καθαριστικό STIHL).

- Μη στρέψετε ποτέ τη δέσμη νερού ή το μηχάνημα καθαρισμού υψηλής πίεσης επάνω σε διακόπτες, τμήματα του κινητήρα, σε φλάντζες, και στα σημεία των εδράνων.

11.3 Ηλεκτροκινητήρας και τροχοί

Ο ηλεκτροκινητήρας δεν απαιτεί συντήρηση.

Τα ρουλεμάν των τροχών δεν χρειάζονται συντήρηση.

11.4 Επάνω τμήμα του τιμονιού

Χρονικό διάστημα συντήρησης:
Πριν από κάθε χρήση

Ελέγξτε το επάνω τμήμα του τιμονιού για τυχόν φθορές – είναι επενδεδυμένο με μονωτικό υλικό. Σε περίπτωση που αυτή η επένδυση έχει υποστεί φθορές, μην θέτετε σε λειτουργία το χλοοκοπτικό μηχάνημα και αντικαταστήστε το επάνω τμήμα του τιμονιού.

11.5 Συντήρηση του μαχαιριού κοπής



Χρονικό διάστημα συντήρησης:
Πριν από κάθε χρήση

⚠ Κίνδυνος τραυματισμών!
Ελέγχετε το μαχαίρι για τυχόν φθορές πριν από κάθε χρήση. Το μαχαίρι κοπής θα πρέπει να αντικατασταθεί εάν παρατηρηθούν ρωγμές ή αυλακώσεις ή εάν επιτευχθεί το όριο φθοράς.

- Ανατρέψτε προς το πλάι το χλοοκοπτικό μηχάνημα. (⇒ 11.2)

- Καθαρίστε το μαχαίρι κοπής (1) και ελέγξτε το για ζημιές (ρωγμές ή αυλακώσεις) και φθορές, εάν χρειαστεί, αντικαταστήστε το.

- Μετρήστε το **πάχος μαχαιριού** **A** σε περισσότερα σημεία με ένα παχύμετρο. Ειδικότερα, θα πρέπει να μετρήσετε και στην περιοχή των πτερυγίων του μαχαιριού.

A > 1,6 mm

- Τοποθετήστε τον χάρακα (2) στην μπροστινή ακμή του μαχαιριού και μετρήστε την **τροχισμένη επιφάνεια** **B**.

B < 5 mm

11.6 Αφαίρεση και τοποθέτηση μαχαιριού κοπής



⚠ Κίνδυνος τραυματισμών!

Σε όλες τις εργασίες στο κοπτικό εργαλείο θα πρέπει να φοράτε κατάλληλα γάντια προστασίας.

- Για τις εργασίες στο μαχαίρι κοπής ανατρέψτε προς το πλάι το χλοοκοπτικό μηχάνημα. (⇒ 11.2)

1 Αποσυναρμολόγηση:

- Κρατήστε το μαχαίρι κοπής (1) με το ένα χέρι.
- Ξεβιδώστε τη βίδα μαχαιριού (2) και αφαιρέστε την μαζί με τον σταυρό (3) και το μαχαίρι κοπής (1).

2 Συναρμολόγηση:



Κίνδυνος τραυματισμών!

Πριν τη συναρμολόγηση ελέγξτε την κατάσταση του μαχαιριού κοπής (ζημιές, φθορές), εάν χρειαστεί, αντικαταστήστε το. (⇒ 11.5)

Τοποθετήστε το μαχαίρι κοπής μόνον όπως απεικονίζεται, με τα κυρτά πτερύγια μαχαιριού προς τα επάνω (προς το εργαλείο). Τηρείτε ακριβώς την προβλεπόμενη ροπή σύσφιξης της βίδας μαχαιριού, αφού από αυτήν εξαρτάται η ασφαλής στερέωση του κοπτικού εργαλείου. Ασφαλίστε τη βίδα του μαχαιριού επιπλέον με **Loctite 243**.

Αντικαθιστάτε την βίδα μαχαιριού και τον σταυρό σε κάθε αλλαγή μαχαιριού.

- Καθαρίστε την επιφάνεια στήριξης του μαχαιριού, τον σταυρό και το χιτώνιο του μαχαιριού.
- Τοποθετήστε το μαχαίρι κοπής (1) επάνω στο χιτώνιο του μαχαιριού με τα κυρτά πτερύγια να δείχνουν προς τα επάνω. Φέρτε τους πείρους οδήγησης (4) του χιτωνίου του μαχαιριού στα ανοίγματα του μαχαιριού κοπής.
- Κρατήστε το μαχαίρι κοπής (1) με το ένα χέρι και περάστε τον σταυρό (3).
- Βιδώστε τη βίδα μαχαιριού (2) και σφίξτε την.

Ροπή σύσφιξης βίδας μαχαιριού
15 - 20 Nm

11.7 Τρόχισμα του μαχαριού κοπής

Η STIHL προτείνει να αναθέσετε το τρόχισμα του μαχαριού σε έναν εμπορικό αντιπρόσωπο. Η λειτουργία του εργαλείου περιορίζεται εάν το μαχαίρι τροχιστεί λάθος (λανθασμένη γωνία τροχίσματος, σφάλμα ζυγοστάθμισης κλπ.).

Οδηγίες τροχίσματος:

- Αφαιρέστε το μαχαίρι κοπής. (⇒ 11.6)
- Ψύχετε το μαχαίρι κατά το τρόχισμα, π. χ. με νερό. Δεν πρέπει να εμφανιστεί μια μπλε απόχρωση. Σε αυτή την περίπτωση μειώνεται σημαντικά η κοπτική ικανότητα του μαχαριού.
- Τροχίστε ομοιόμορφα το μαχαίρι, προκειμένου να αποφύγετε τους κραδασμούς.
- Τηρείτε τη γωνία τροχίσματος των 30°.
- Μετά τη διαδικασία ακονίσματος αφαιρέστε με λεπτό γυαλόχαρτο τα γρέζια που έχουν σχηματιστεί στην ακμή κοπής.

11.8 Φύλαξη (χειμερινή παύση εργασιών)

Φυλάσσετε το εργαλείο σε ένα στεγνό, κλειστό και καθαρό από σκόνες χώρο. Βεβαιωθείτε ότι το εργαλείο βρίσκεται μακριά από τα παιδιά.

Αποθηκεύστε το χλοοκοπτικό εργαλείο μόνο σε κατάσταση ασφαλούς λειτουργίας, εάν χρειαστεί αναδιπλώστε το τιμόνι.

Διατηρήστε σφιγμένα όλα τα παξιμάδια, τους πείρους και τις βίδες, αντικαταστήστε τις υποδείξεις κινδύνου και προειδοποίησης του εργαλείου εάν έχουν γίνει δυσανάγνωστες και ελέγξτε ολόκληρο

το εργαλείο για φθορές ή ζημιές. Αντικαταστήστε τα φθαρμένα ή ελαττωματικά μέρη.

Οι βλάβες του εργαλείου θα πρέπει να αποκατασταθούν πλήρως πριν από την αποθήκευση.

Σε περίπτωση ακινητοποίησης του χλοοκοπτικού εργαλείου για μεγαλύτερο χρονικό διάστημα (χειμερινή παύση εργασιών) θα πρέπει να δοθεί σημασία στα παρακάτω σημεία:

- Καθαρίστε σχολαστικά όλα τα εξωτερικά μέρη του εργαλείου.
- Λίπανση ή γρασάρισμα όλων των κινητών μερών.

12. Μεταφορά

12.1 Μεταφορά



Κίνδυνος τραυματισμών!

Πριν τη μεταφορά προσέξτε ιδιαίτερα τις υποδείξεις ασφαλείας στο κεφάλαιο «Για τη δική σας ασφάλεια». (⇒ 4.)

Κατά τη μεταφορά φοράτε πάντα κατάλληλο ρουχισμό προστασίας (υποδήματα ασφαλείας, κλειστά γάντια).

Πριν από την ανύψωση ή τη μεταφορά αποσυνδέετε πάντοτε το ηλεκτρικό καλώδιο.

Μεταφορά του εργαλείου:

- Μεταφέρετε το χλοοκοπτικό μηχάνημα με το ένα χέρι στη λαβή μεταφοράς (1) και με το άλλο χέρι στο περίβλημα (2). Φροντίζετε πάντα για επαρκή απόσταση του χλοοκοπτικού από το σώμα, ειδικότερα από τα πόδια σας,

ή

- Μεταφέρετε το χλοοκοπτικό μηχάνημα με το ένα χέρι στη λαβή μεταφοράς (1).

Πρόσδεση του εργαλείου:

- Ασφαλίστε το χλοοκοπτικό μηχάνημα και τον χορτοσυλλέκτη με τα κατάλληλα μέσα στερέωσης επάνω στην επιφάνεια φόρτωσης.
- Στερεώστε τα σχοινιά ή τους ιμάντες στη λαβή μεταφοράς (1) και στα κάτω τμήματα του τιμονιού (3).

13. Ελαχιστοποίηση φθορών και αποφυγή βλαβών

Σημαντικές υποδείξεις σχετικά με τη συντήρηση και τη φροντίδα της ομάδας προϊόντων

Χλοοκοπτικό μηχάνημα, χειροκίνητο και ηλεκτρικό (STIHL RME)

Η εταιρία STIHL δεν φέρει καμία ευθύνη για υλικές ζημιές και σωματικές βλάβες που θα προκληθούν από τη μη τήρηση των υποδείξεων που αναφέρονται στις οδηγίες χρήσης, και ειδικότερα αυτές που αφορούν την ασφάλεια, τον χειρισμό και τη συντήρηση, ή από τη χρήση μη εγκεκριμένων προσαρτημάτων ή ανταλλακτικών.

Παρακαλούμε τηρήστε οπωσδήποτε τις υποδείξεις που ακολουθούν, προκειμένου να αποτρέψετε τις βλάβες και την υπερβολική φθορά του εργαλείου STIHL:

1. Αναλώσιμα υλικά

Πολλά μέρη του εργαλείου STIHL, ακόμη και μετά από προβλεπόμενη χρήση, παρουσιάζουν φυσιολογική φθορά και θα πρέπει να αντικατασταθούν εγκαίρως, ανάλογα με τον τρόπο και τη διάρκεια χρήσης.

Εδώ συμπεριλαμβάνονται μεταξύ άλλων:

- μαχαίρια

2. Τήρηση των υποδείξεων των οδηγιών χρήσης

Η χρήση, η συντήρηση και η αποθήκευση του εργαλείου STIHL θα πρέπει να πραγματοποιούνται προσεκτικά και με τον τρόπο που αναφέρεται σε αυτές τις οδηγίες χρήσης. Όλες οι βλάβες και οι ζημιές που προκλήθηκαν από τη μη τήρηση των υποδείξεων ασφαλείας, χειρισμού και συντήρησης, βαρύνουν αποκλειστικά και μόνο το χρήστη.

Αυτό ισχύει ειδικά για:

- ακατάλληλο καλώδιο προέκτασης (διατομή).
- λανθασμένη ηλεκτρική σύνδεση (τάση).
- μη εγκεκριμένες από τη STIHL μετατροπές του προϊόντος.
- χρήση εργαλείων ή εξαρτημάτων που είναι χαμηλής ποιότητας, ακατάλληλα ή μη εγκεκριμένα για το εργαλείο.
- μη προβλεπόμενη χρήση του προϊόντος.
- χρήση του προϊόντος σε αθλητικές δραστηριότητες ή διαγωνισμούς.
- έμμεσες ζημιές που προκαλούνται από συνεχιζόμενη χρήση του προϊόντος με ελαττωματικά εξαρτήματα.

3. Εργασίες συντήρησης

Όλες οι εργασίες που αναφέρονται στην παράγραφο «Συντήρηση» θα πρέπει να διεξάγονται σε τακτά χρονικά διαστήματα.

Σε περίπτωση που αυτές οι εργασίες δεν μπορούν να πραγματοποιηθούν από το χρήστη, θα πρέπει να δοθεί σχετική εντολή εργασιών σε έναν εμπορικό αντιπρόσωπο.

Η STIHL προτείνει, οι εργασίες συντήρησης και οι επισκευές να πραγματοποιούνται μόνο από έναν εμπορικό αντιπρόσωπο STIHL.

Οι εμπορικοί αντιπρόσωποι STIHL παρακολουθούν τακτικά εκπαιδευτικά σεμινάρια και έχουν στη διάθεσή τους τις απαραίτητες τεχνικές πληροφορίες.

Εάν δεν πραγματοποιηθούν αυτές οι εργασίες, μπορεί να προκληθούν ζημιές, για τις οποίες ευθύνεται αποκλειστικά και μόνο ο χρήστης.

Εδώ συμπεριλαμβάνονται μεταξύ άλλων:

- Ζημιές στον ηλεκτροκινητήρα λόγω ανεπαρκούς καθαρισμού της εισαγωγής αέρα ψύξης (εγκοπές αναρρόφησης).
- Διαβρώσεις και άλλες επακόλουθες ζημιές από τη μη προβλεπόμενη σωστή αποθήκευση και φύλαξη.
- Βλάβες στο εργαλείο από τη χρήση ανταλλακτικών χαμηλής ποιότητας.
- Ζημιές λόγω μη έγκαιρης ή ανεπαρκούς συντήρησης ή ζημιές από εργασίες συντήρησης και επισκευής που δεν πραγματοποιήθηκαν στα συνεργεία των εμπορικών αντιπροσώπων.

14. Προστασία περιβάλλοντος



Το κομμένο χόρτο δεν πρέπει να απορρίπτεται αλλά να διατίθεται για χώνευση.

Οι συσκευασίες, το εργαλείο και τα πρόσθετα εξαρτήματα κατασκευάζονται από ανακυκλώσιμα υλικά και θα πρέπει να απορρίπτονται ανάλογα.

Η φιλική προς το περιβάλλον απόρριψη και ο διαχωρισμός των απορριμμάτων βοηθάει στην επαναχρησιμοποίηση ανακυκλώσιμων υλικών. Για το λόγο αυτό, μετά την πάροδο της συνηθισμένης διάρκειας χρήσης, το εργαλείο θα πρέπει να παραδίδεται σε κάποιο κέντρο συλλογής υλικών. Για την απόρριψη προσέξτε ιδιαίτερα τις υποδείξεις στο κεφάλαιο "Απόρριψη" (⇒ 4.9).

Απευθυνθείτε σε ένα κέντρο ανακύκλωσης ή στον εμπορικό αντιπρόσωπο για να μάθετε πώς γίνεται η σωστή απόρριψη αυτών των προϊόντων.

15. Συνηθισμένα ανταλλακτικά

Μαχαίρι κοπής:
6311 702 0100

Βίδα μαχαίριου:
9018 321 1800

Σταυρός:
6311 702 0600



Η βίδα μαχαίριου και ο σταυρός πρέπει να αντικαθίστανται στην αλλαγή μαχαίριου. Τα ανταλλακτικά διατίθενται από τους εμπορικούς αντιπροσώπους της STIHL.

16. Πιστοποιητικό συμβατότητας

16.1 Πιστοποιητικό συμβατότητας EE για το χλοοκοπτικό μηχάνημα STIHL RME 235.0

H STIHL Tirol GmbH
Hans Peter Stihl-Straße 5
6336 Langkampfen
Αυστρία

πιστοποιεί με αποκλειστική ευθύνη ότι

- Κατασκευαστικός τύπος: Ηλεκτρικό χλοοκοπτικό
- Εταιρεία κατασκευής: STIHL
- Τύπος: RME 235.0
- Πλάτος κοπής: 33 cm
- Αριθμός αναγνώρισης σειράς: 6311

συμμορφώνεται με τις σχετικές διατάξεις των Ευρωπαϊκών Οδηγιών 2006/42/EC, 2000/14/EC, 2014/30/EU και 2011/65/EU και έχει εξελιχθεί και κατασκευαστεί σύμφωνα με τα παρακάτω πρότυπα που βρίσκονταν σε ισχύ κατά την ημερομηνία παραγωγής: EN 60335-1, EN 60335-2-77, EN 55014-1, EN 55014-2, EN 61000-3-2 και EN 61000-3-3.

Κοινοποιημένη αρχή:
TÜV Rheinland LGA Products GmbH
Tillystraße 2
90431 Nürnberg, DE

Για τον υπολογισμό της μετρημένης και εγγυημένης στάθμης θορύβου εφαρμόστηκε η Ευρωπαϊκή Οδηγία 2000/14/EC, Παράρτημα VIII.

- Μετρημένη στάθμη θορύβου: 92,1 dB(A)
- Εγγυημένη στάθμη θορύβου: 93 dB(A)

Τα Τεχνικά Έγγραφα φυλάσσονται από τη STIHL Tirol GmbH.

Το έτος κατασκευής και ο αριθμός εργαλείου αναγράφονται επάνω στο χλοοκοπτικό μηχάνημα.

Langkampfen, 29.04.2021

H STIHL Tirol GmbH

κατ' εντολή

Matthias Fleischer, διευθυντής τμήματος Έρευνας και Ανάπτυξης

κατ' εντολή

Sven Zimmermann, διευθυντής τμήματος Ποιότητας

17. Τεχνικά στοιχεία

Τύπος	RME 235.0
Αναγνώριση σειράς	6311
Κινητήρας, τύπος κατασκευής	Ηλεκτροκινητήρας
Τύπος κινητήρα	Κινητήρας AC γενικής χρήσης
Τάση	230 V~
Λήψη ισχύος	1200 W
Συχνότητα	50 Hz
Ασφάλεια	5 A
Κατηγορία προστασίας	II
Βαθμός προστασίας	IPX 4

Τύπος	RME 235.0
Διάταξη κοπής	Μπάρα μαχαιριού
Πλάτος κοπής	33 cm
Αριθμός στροφών της διάταξης κοπής	3200 στροφές/λεπτό
Σύμφωνα με το πρότυπο 2000/14/EC / S.I. 2001/1701:	
Εγγυημένη στάθμη θορύβου L_{WA}	93 dB(A)
Αστάθεια K_{WA}	0,8 dB(A)
Μέτρηση κατά EN 60335-2-77:	
Στάθμη ηχοπίεσης στη θέση εργασίας	80 dB(A)
L_{pA}	2 dB(A)
Αστάθεια K_{pA}	2 dB(A)
Κίνηση μπάρας μαχαιριού	μόνιμη
Ροπή σύσφιξης βίδας μαχαιριού	15 - 20 Nm
Ø τροχού μπροστά	140 mm
Ø τροχού πίσω	170 mm
Χωρητικότητα χορτοσυλλέκτη	30 l
Ύψος κοπής	25 - 65 mm
Αναφερόμενη χαρακτηριστική τιμή ταλαντώσεων κατά EN 12096:	
Τιμή μέτρησης a_{hw}	1,40 m/sec ²
Αστάθεια K_{hw}	0,70 m/sec ²
Μέτρηση κατά EN 20643, EN 60335-2-77	
Μήκος	127 cm
Πλάτος	37 cm
Ύψος	108 cm
Βάρος	13 kg
	14 kg (GB)

17.1 REACH

Το REACH είναι ένα κανονισμός της ΕΕ για την καταγραφή, αξιολόγηση και πιστοποίηση χημικών ουσιών.

Πληροφορίες για την συμμόρφωση με τον κανονισμό REACH (ΕΕ) αρ. 1907/2006 παρέχονται στο www.stihl.com/reach.

18. Εντοπισμός βλαβών

✳ αναζητήστε ενδεχομένως έναν εμπορικό αντιπρόσωπο, η STIHL προτείνει τον εμπορικό αντιπρόσωπο της STIHL.

Βλάβη:

Ο ηλεκτροκινητήρας δεν λειτουργεί

Πιθανή αιτία:

- Δεν υπάρχει τροφοδοσία τάσης
- Βλάβη στην πρίζα/καλώδιο σύνδεσης ή το διακόπτη
- Δεν έχει πατηθεί το πλήκτρο εκκίνησης
- Ο ηλεκτροκινητήρας καταπονείται υπερβολικά λόγω ψηλού ή βρεγμένου χόρτου
- Έχει ενεργοποιηθεί η προστασία του ηλεκτροκινητήρα
- Το περίβλημα του συγκροτήματος κοπής έχει βουλώσει
- Βλάβη στην ασφάλεια του φics (έκδοση GB)

Αντιμετώπιση:

- Ελέγξτε την ασφάλεια (⇒ 10.1)
- Ελέγξτε ή αντικαταστήστε το καλώδιο/φics/διακόπτη (⇒ 10.1)
- Πιέστε το πλήκτρο εκκίνησης (⇒ 10.3)
- Μη θέτετε τον ηλεκτροκινητήρα σε λειτουργία όταν το μηχανήμα βρίσκεται σε περιοχή με ψηλό χόρτο, προσαρμόστε το ύψος κοπής (⇒ 7.4)

- Αφήστε το μηχανήμα να κρυώσει (⇒ 8.4)
- Καθαρίστε το περίβλημα του χλοοκοπτικού (⇒ 11.2)
- Αντικαταστήστε την ασφάλεια στο φics (✳)

Βλάβη:

Συχνή ενεργοποίηση ασφάλειας δικτύου

Πιθανή αιτία:

- ακατάλληλο καλώδιο ηλεκτρικής σύνδεσης
- Υπερφόρτωση δικτύου
- Το μηχανήμα καταπονείται υπερβολικά κατά την κοπή ψηλού ή βρεγμένου χόρτου

Αντιμετώπιση:

- Χρησιμοποιήστε κατάλληλο καλώδιο σύνδεσης (⇒ 10.1)
- Συνδέστε το εργαλείο σε άλλο ηλεκτρικό κύκλωμα
- Προσαρμόστε το ύψος και την ταχύτητα κοπής στις υπάρχουσες συνθήκες (⇒ 7.4)

Βλάβη:

Έντονοι κραδασμοί κατά τη διάρκεια λειτουργίας

Πιθανή αιτία:

- Έχει χαλαρώσει η βίδα του μαχαριού
- Το μαχαίρι δεν είναι ζυγοσταθμισμένο

Αντιμετώπιση:

- Σφίξτε τη βίδα του μαχαριού (⇒ 11.6)
- Τροχίστε (ζυγοσταθμίστε) το μαχαίρι ή αντικαταστήστε το (⇒ 11.7)

Βλάβη:

Προβληματική κοπή, το χόρτο κιτρινίζει

Πιθανή αιτία:

- φθαρμένα ή στομωμένα μαχαίρια κοπής

- Η ταχύτητα προώθησης είναι μεγάλη σε σχέση με το ύψος κοπής

Αντιμετώπιση:

- Αντικαταστήστε ή τροχίστε το μαχαίρι (⇒ 11.7)
- Μειώστε την ταχύτητα προώθησης και/ή επιλέξτε το σωστό ύψος κοπής (⇒ 7.4)

Βλάβη:

Δυσκολία στην ενεργοποίηση του ηλεκτροκινητήρα ή μειωμένη απόδοση ηλεκτροκινητήρα.

Πιθανή αιτία:

- Κοπή ψηλού ή βρεγμένου χόρτου
- Το περίβλημα του συγκροτήματος κοπής έχει βουλώσει

Αντιμετώπιση:

- Προσαρμόστε το ύψος και την ταχύτητα κοπής στις υπάρχουσες συνθήκες (⇒ 7.4)
- Καθαρίστε το περίβλημα (πριν τον καθαρισμό τραβήξτε το καλώδιο από τη πρίζα) (⇒ 11.2)

Βλάβη:

Το κανάλι εκτόξευσης έχει βουλώσει

Πιθανή αιτία:

- Το μαχαίρι έχει φθαρεί
- Κοπή ψηλού ή βρεγμένου χόρτου

Αντιμετώπιση:

- Αντικαταστήστε το μαχαίρι (⇒ 11.7)
- Προσαρμόστε το ύψος και την ταχύτητα κοπής στις υπάρχουσες συνθήκες (⇒ 7.4)

19. Πρόγραμμα συντήρησης

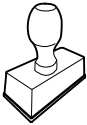
19.1 Βεβαίωση παράδοσης

Μοντέλο: _____

Αριθμός σειράς:

□	□	□	□	□	□	□	□	□
---	---	---	---	---	---	---	---	---

Ημερομηνία: □ □ □ □ □ □ □ □ □ □



Επόμενη συντήρηση


Ημερομηνία: □ □ □ □ □ □ □ □ □ □


19.2 Βεβαίωση συντήρησης



Για την εκτέλεση των εργασιών συντήρησης παραδώστε αυτές τις οδηγίες χρήσης στον εμπορικό αντιπρόσωπο STIHL.

Αυτός θα επιβεβαιώσει στα προτυπωμένα πεδία την εκτέλεση των εργασιών συντήρησης.

 Η συντήρηση πραγματοποιήθηκε στις

 Ημερομηνία επόμενης συντήρησης

Скъпи купувачи,

Ние се радваме, че сте избрали изделие на фирмата STIHL. Ние разработваме и произвеждаме продукти с най-високо качество в съответствие с изискванията на нашите клиенти. По този начин продуктите ни се отличават с висока надеждност дори при приложението им в най-тежки условия на експлоатация.

STIHL също така държи на най-високото качество в обслужването. Сътрудниците в специализираните ни търговски обекти са готови да Ви дадат компетентна консултация и съвети, както и да поемат комплексното техническо обслужване на закупените от Вас апарати.

Благодарим Ви за доверието и Ви пожелаваме удоволствие при ползването на изделието от фирмата STIHL.



Д-р Nikolas Stihl

**ВАЖНО! ПРОЧЕТЕТЕ ПРЕДИ
УПОТРЕБА – И СЪХРАНЯВАЙТЕ.**

1. Съдържание

За тази инструкция за експлоатация	144	Правилно натоварване на електродвигателя	153
Общи указания	144	В случай че ножът за косене блокира	153
Указания за четене на инструкцията за експлоатация	144	Защита срещу топлинно претоварване на електродвигателя	153
Различни варианти за отделните страни	144	Работна зона на оператора	154
Описание на уреда	145	Защитни приспособления	154
За Вашата безопасност	145	Защитни приспособления	154
Общи указания	145	Управление с две ръце	154
Внимание – опасност от токов удар	146	Инерционна спирачка на електродвигателя	154
Облекло и екипировка	147	Пускане на уреда в експлоатация	154
Транспортиране на уреда	147	Свързване на уреда към електрическата мрежа	154
Преди работа	147	Приспособление за изтегляне и прибиране на кабела	155
По време на работа	148	Включване на косачката	155
Поддръжка, почистване, ремонт и съхранение	150	Изключване на косачката	155
Съхранение при продължително неизползване на уреда	151	Изправване на коша за трева	155
Изхвърляне	151	Поддръжка	155
Описание на символите	151	Общи указания	155
Подготовка на уреда за пускане в експлоатация	152	Почистване на уреда	155
Сглобяване на косачката	152	Електродвигател и колела	155
Командни елементи	152	Горна част на лоста за управление	156
Кош за трева	152	Поддръжка на ножа за косене	156
Индикатор за равнището на запълване	152	Демонтаж и монтаж на ножа за косене	156
Лост за управление	152	Наточване на ножа за косене	157
Централна настройка на височината на косене	153	Съхранение на уреда (през зимата)	157
Указания за работа	153	Транспортиране	157
Общи указания	153	Транспортиране	157
		Минимизиране на износването и предотвратяване на повреди	157
		Опазване на околната среда	158

Обичайни резервни части	158
Декларация за съответствие	159
ЕС декларация за съответствие	
косачка STIHL RME 235.0	159
Технически данни	159
REACH	160
Откриване на повреди	160
Сервизен план	161
Потвърждение за предаване	161
Потвърждение за извършена	
сервизна поддръжка	161

2. За тази инструкция за експлоатация

2.1 Общи указания

Тази инструкция за експлоатация е **оригинална инструкция за експлоатация** от производителя по смисъла на Директива 2006/42/ЕС на Европейския парламент и на Съвета.

STIHL работи непрекъснато за усъвършенстване на асортимента си; затова си запазваме правото на промени във формата, техниката и оборудването.

Ето защо данните и илюстрациите в настоящата инструкция не могат да бъдат основание за предявяване на каквито и да е претенции.

В тази инструкция за експлоатация може да има описани модели, които не са налични във всяка страна.

Тази инструкция за експлоатация е защитена от авторското право. Всички права са запазени, по-специално правото на размножаване, превод и обработка с електронни системи.

2.2 Указания за четене на инструкцията за експлоатация

Фигурите и текстовете описват определени стъпки на действие.

Всички поставени върху уреда пиктограми са пояснени в тази инструкция за експлоатация.

Посока на погледа:

Посока на погледа при употреба на „**наляво**“ и „**надясно**“ в инструкцията за експлоатация:

Потребителят е застанал зад уреда и гледа напред по посока на движението.

Препратка към глава:

Препратките към глави и раздели за допълнителни обяснения се отбелязват със стрелка. Следният пример показва препратка към глава: (⇒ 3.)

Обозначаване на пасажи от текста:

Описаните указания могат да бъдат обозначени по различен начин.

Работни стъпки, които изискват действие от страна на потребителя:

- Развийте болта (1) с отвертка, задействайте лоста (2)...

Общи изброявания:

- Използване на продукта при спортни или състезателни мероприятия

Текстове с допълнително значение:

Тези пасажи са обозначени с един от описаните по-долу символи, за да бъдат по-добре открити в инструкцията за експлоатация.



Опасност!

Опасност от злополука и тежко нараняване на хора. Извършването на определени действия е необходимо или трябва да се избягва определено поведение.



Предупреждение!

Опасност от нараняване на хора. Извършването на определени действия предпазва от възможни или вероятни наранявания.



Внимание!

Леки наранявания или материални щети могат да бъдат предотвратени с извършване на определени действия.



Указание

Информация за по-добро използване на уреда и за избягване на евентуалното му неправилно обслужване.

Текстове, отнасящи се към фигури:

Фигурите, на които е показан начинът на употреба на уреда, се намират в началото на инструкцията за експлоатация.

Този символ показва връзката между фигурите в началото и съответния текст в инструкцията за експлоатация.



2.3 Различни варианти за отделните страни

В зависимост от страната, в която се използва уредът, STIHL доставя уреди с различни щепсели и прекъсвачи.

На фигурите са показани уреди с европейски щепсел; включването в мрежата на уреди с друг стандарт щепсели се извършва по същия начин.

3. Описание на уреда



- 1 Горна част на лоста за управление
- 2 Лост за спиране на двигателя
- 3 Въртящ се лост
- 4 Дефлектор
- 5 Ръкохватка за носене
- 6 Капак на двигателя
- 7 Предно колело
- 8 Корпус
- 9 Задно колело
- 10 Долна част на лоста за управление
- 11 Кабелна скоба
- 12 Кош за трева
- 13 Водач на кабела
- 14 Индикатор за равнището на запълване
- 15 Бутон за стартиране
- 16 Гнездо за включване в мрежата
- 17 Приспособление за изтегляне и прибиране на кабела
- 18 Лост за регулиране на височината

4. За Вашата безопасност

4.1 Общи указания



Непременно спазвайте тези правила за техника на безопасност при работа с уреда.



Преди първото пускане на уреда трябва да прочетете внимателно цялата инструкция за експлоатация.

Съхранявайте старателно инструкцията за експлоатация, за да я ползвате и в бъдеще.

Тези предпазни мерки (списъкът не е пълен) са задължителни за Вашата безопасност. Винаги използвайте уреда разумно и отговорно и не забравяйте, че потребителят носи отговорност при злополука с трети лица или материални щети по тяхната собственост.

Запознайте се с елементите за управление и с употребата на уреда.

Уредът да се използва само от лица, които са прочели инструкцията за експлоатация и са запознати с начина на работа с него. Преди първото пускане на уреда в експлоатация всеки потребител трябва да се постарее да получи компетентна и практическа подготовка за работа с него. Той трябва да получи указания от продавача или от друго квалифицирано лице за безопасната употреба на уреда.

Целта на тези указания е преди всичко да накарат потребителя да осъзнае, че са необходими изключително внимание и концентрация от негова страна, докато работи с уреда.

Дори когато обслужвате този уред според указанията, винаги съществува остатъчен риск.



Опасност за живота поради задушаване!

Съществува опасност за децата, които си играят с опаковките. Задължително дръжте опаковките извън обсега на деца.

Уредът, включително всички приспособления за допълнително монтиране, могат да се предоставят или отдават под наем само на лица, принципно запознати с този модел и работата с него. Инструкцията за експлоатация е част от уреда и винаги трябва да бъде предавана заедно с него.

Използвайте уреда само когато сте отпочинали и в добро физическо и психическо състояние. Ако имате здравословни проблеми, трябва да се консултирате с Вашия лекар дали можете да работите с уреда. Не работете с уреда след употреба на алкохол, наркотици или забавящи способността за реагиране лекарства.

Уверете се, че потребителят има физическа, сетивна и психическа способност да обслужва уреда и да работи с него. Ако потребителят има ограничена физическа, сетивна или психическа възможност за това, той трябва да работи с него под надзора и според указанията на отговорно лице.

Уверете се, че потребителят е пълнолетен или е бил обучен за съответната професия според националните разпоредби и под съответния надзор.

Уредът е предвиден за лично ползване.

Внимание – опасност от злополука!

Уредът е предназначен само за косене на трева. Използването на уреда за други цели не е позволено, тъй като може да бъде опасно или да го повреди.

Поради опасност от телесни повреди за потребителя, не се разрешава използването на уреда за следните дейности (списъкът не е пълен):

- подрязване на шубраци, жив плет и храсти;
- рязане на пълзящи растения;
- поддържане на трева в покривни градини и балконски саксии;
- раздробяване и надробяване на отрязани клонове от дървета и жив плет;
- почистване на алеи (изсмукване, издухване);
- изравняване на почвени неравности, напр. къртичини;
- транспортиране на окосена маса, освен в предвидения за тази цел кош за трева.

От съображения за сигурност се забранява извършване на каквато и да било промяна по уреда с изключение на квалифицирания допълнителен монтаж на одобрени от STIHL принадлежности, освен това такава промяна би довела и до отмяна на гаранцията. Информация за одобрените принадлежности можете да получите от вашия специализиран търговец на STIHL.

Изрично се забранява всякаква манипулация по уреда, която повишава мощността или честотата на въртене на двигателя с вътрешно горене, съотв. на електродвигателя.

С уреда не бива да се транспортират хора, особено деца, животни или предмети.

При използване на уреда в обществени обекти, паркове, на спортни площадки, по улици и в селскостопански и горски предприятия се изисква повишено внимание.



Внимание! Опасност за здравето поради вибрации!

Прекомерното излагане на вибрации може да увреди кръвообращението или нервите на горните крайници, особено при хора с проблеми в кръвообращението. Обърнете се към лекар при появата на симптоми, които биха могли да са резултат от излагане на вибрации. Такива симптоми, които се появяват основно по пръстите, ръцете или китките, са напр. (списъкът не е пълен):

- липса на чувствителност,
- болки,
- мускулна слабост,
- дисхромия на кожата,
- неприятен сърбеж.

Дръжте по време на работа ръкохватката здраво, но не напрегнато, с две ръце на предвидените за целта места.

Времето за работа да се планира така, че да се избягват по-високите натоварвания за по-продължителен период от време.

4.2 Внимание – опасност от токов удар



Внимание! Опасност от токов удар!

Много важни за електрическата безопасност на уреда са захранващият кабел, щепселът, прекъсвачът и съединителният проводник. За да се избегне опасността от токов удар, не използвайте повредени кабели, куплунзи и щепсели или неотговарящи на изискванията съединителни проводници.



Затова редовно проверявайте съединителния проводник за повреди или признаци на стареене (чупливост).

Пускайте уреда само с намотан захранващ кабел.

При използване на кабелен барабан той трябва преди употреба винаги да бъде развит докрай.

Никога не използвайте повреден удължителен кабел. Заменете неизправните кабели с нови и не ремонтирайте удължителните кабели.

Уредът не бива да се използва, ако проводниците са повредени или износени. По-специално захранващият кабел трябва да се провери за повреди и стареене.

Дейностите по поддръжка и ремонт на захранващите кабели могат да се извършват само от квалифицирани специалисти.

Опасност от токов удар!

Не включвайте към електрическата мрежа неизправен проводник и не го докосвайте, преди да сте го извадили от контакта.

Опасност от токов удар!

Не използвайте неизправни кабели, куплуни и щепсели или неотговарящи на изискванията захранващи кабели.

Режещите блокове (ножовете) могат да се докосват след изключване на уреда от електрическата мрежа.

Винаги внимавайте използваните захранващи кабели да са добре обезопасени.



Въпреки че електродвигателят е защитен от пръскаща вода, уредът не бива да се използва, когато вали дъжд и в условия на висока влажност.

При работа на открито използвайте само изолирани срещу влага удължителни кабели, подходящи за употреба с уреда (⇒ 10.1).

При косене дръжте кабела далеч от ножа.

Изваждайте съединителния проводник, като хванете щепсела и щепселното гнездо, а не го дърпайте.

Ако уредът е включен към генератор, внимавайте да не се повреди поради колебания на тока.

Включвайте уреда само към електрозахранване, което е защитено посредством прекъсвач за защита срещу утечен ток с максимален ток на изключване 30 mA. Допълнителна информация можете да получите от електротехник.

От съображения за сигурност електрическият кабел трябва винаги да се монтира към лоста за управление съгласно инструкциите.

4.3 Облекло и екипировка



По време на работа винаги носете затворени обувки с грайферни подметки. Никога не работете боси или с леки обувки, например сандали.



При дейности по поддръжка и почистване, както и при транспортиране, винаги носете плътни предпазни ръкавици и прибирайте добре дългата коса (кърпа за глава, шапка и др.).



При заточване на ножа за косене трябва да се носят подходящи предпазни очила.

Носете дълги панталони и тясно прилепнало облекло, когато работите с уреда.

Никога не носете свободно облекло, бижута, вратовръзки и шалове, които могат да се закачат за подвижните части (команден лост).

4.4 Транспортиране на уреда

Работете само с ръкавици, за да избегнете наранявания от части на уреда, които са горещи или с остри ръбове.

Преди да го транспортирате, изключете уреда, извадете мрежовия кабел от контакта и изчакайте ножът да спре напълно.

Транспортирайте уреда само с изстинал електродвигател.

Вземете под внимание теглото на уреда и при нужда използвайте подходящи помощни съоръжения за товарене (товарни рампи, подемни механизми).

Застопорете уреда и транспортираните заедно с него компоненти (напр. кош за трева) върху товарната платформа с подходящи по размер средства за закрепване (ремъци, въжета и др.).

Избягвайте контакт с ножа за косене при вдигане и носене на уреда.

Прочетете и спазвайте указанията в глава „Транспортиране“. Там е описано как да вдигате и закрепвате уреда. (⇒ 12.1)

При транспортиране на уреда спазвайте местните законови разпоредби и по-специално отнасящите се до безопасността при товарене и транспорт на изделия върху товарни платформи.

4.5 Преди работа

Уверете се, че с уреда работят само лица, които са запознати с инструкцията за експлоатация.

Спазвайте определените в местните разпоредби часове за работа с градински уреди, оборудвани с двигател с вътрешно горене или електродвигател.

Проверете внимателно терена, върху който ще използвате уреда, и отстранете всички камъни, пръчки, телове, кости и други чужди тела, които могат да бъдат изхвърлени от него. Препятствията (напр. пънове, корени) лесно могат да останат незабелязани във висока трева.

За тази цел, преди да започнете работа с уреда, обозначете всички скрити в тревата чужди тела (препятствия), които не могат да бъдат отстранени.

Преди употреба на уреда всички неизправни, износени и повредени части трябва да се заменят. Станалите нечетливи или повредени предупредителни стикери по уреда трябва да се подменят. Вашият специализиран търговец на STIHL поддържа наличност от резервни стикери и всички други резервни части.

Уредът може да се използва само в състояние на безопасна експлоатация. Преди всяко пускане на уреда в експлоатация проверете

- дали уредът е монтиран в съответствие с указанията.
- дали режещият инструмент и целият режещ блок (нож за косене, елементи за закрепване, корпус на косачния механизъм) са в изправно състояние. Обърнете внимание най-вече дали са добре закрепени и дали не са повредени (резки или пукнатини) или износени.
- дали защитните приспособления (напр. дефлектор, корпус, лост за управление, лост за спиране на двигателя) са в изправно състояние и функционират правилно.
- дали по коша за трева няма повреди и дали е монтиран добре; ако кошът за трева е повреден, не бива да се използва.
- дали инерционната спирачка на електродвигателя функционира.

При нужда извършете сами всички необходими дейности или се обърнете към специализиран търговец. STIHL препоръчва своите специализирани търговци.

Обърнете внимание на информацията в глава „Опасност от електрически ток“ (⇒ 4.2).

Никога не включвайте електродвигателя, ако не сте монтирали ножа съгласно указанията. Опасност от прегряване на електродвигателя!

4.6 По време на работа



Никога не използвайте уреда, ако в района където ще работите с него, има хора, особено деца, или животни.

Монтираните на уреда прекъсвачи и защитни приспособления не бива да бъдат отстранявани или припокривани. Никога не фиксирайте лоста за спиране на двигателя към ръкохватката (напр. чрез привързване).

Лостът за управление трябва винаги да е монтиран правилно и да не бъде променян. Никога не пускайте уреда в експлоатация със сгънат лост за управление.

Никога не окачвайте предмети по лоста за управление (напр. работно облекло). Удължителните кабели не бива да се усукват около лоста за управление.

Работете само на дневна светлина или при добро изкуствено осветление.

Не работете при температури на околната среда под +5 °C.

Не работете с уреда при дъжд, буря и особено когато има опасност от удар на мълния.

Ако теренът е влажен, опасността от злополука се увеличава поради намалена стабилност на оператора. Работете много внимателно, за да избегнете подхлъзване. По възможност избягвайте използване на уреда върху влажни терени.

Не оставяйте уреда на открито под дъжда.

Включване на уреда:

Включете уреда внимателно в съответствие с инструкциите в глава „Пускане на уреда в експлоатация“ (⇒ 10.)

Осигурявайте достатъчно разстояние между краката си и режещия инструмент.

При включване уредът трябва да стои на равна повърхност.

Уредът не бива да се накланя преди или по време на включване.

Не включвайте електродвигателя, ако каналът за изхвърляне не е покрит с дефлектора или с коша за трева.

Избягвайте честото включване на уреда в рамките на кратък интервал от време, не си „играйте“ с пусковия бутон. Опасност от прегряване на електродвигателя!

Работа по склонове:

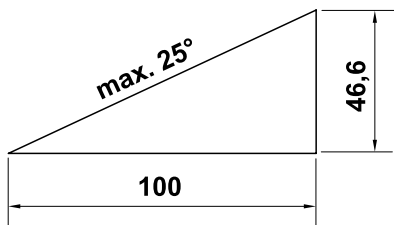
Работете винаги напречно, а не надлъжно на склона. Ако при косене надлъжно на склона операторът загуби контрол, може да бъде прегазен от косящия уред.

Бъдете особено внимателни, когато променяте посоката на движение по склона.

Винаги осигурявайте добра стабилност на уреда при работа по склонове и избягвайте да работите по прекалено стръмни склонове.

От съображения за сигурност уредът не бива да се използва по склонове с наклон над 25° (46,6%). **Опасност от нараняване!**

25° наклон на склона отговарят на вертикално нарастване от 46,6 см на 100 см хоризонтална дължина.



По време на работа:



Внимание – опасност от нараняване!

Никога не поставяйте ръцете или краката си до или под въртящите се части. Никога не пипайте въртящия се нож. Винаги стойте на разстояние от отвора за изхвърляне. Винаги спазвайте определената от ръкохватката безопасна дистанция.



Не се опитвайте да проверявате ножа, докато уредът работи. Никога не отваряйте дефлектора и/или не сваляйте коша за трева, докато ножът за косене работи. Въртящият се нож може да причини нараняване.

Винаги управлявайте уреда с пешеходна скорост и в никакъв случай не тичайте, докато работите с него.

Управлението на уреда с по-голяма скорост увеличава опасността от нараняване в резултат на препъване, подхлъзване и т.н.

Бъдете особено предпазливи, когато завивате с уреда или го придърпвате към себе си.

Опасност от препъване!

Никога не вдигайте или не носете уреда с работещ електродвигател или с включен в ел. мрежа захранващ кабел.

Скритите в тревните площи обекти (дъждовални инсталации, колове, водни клапани, фундаменти, електрически проводници и т.н.) задължително трябва да се заобикалят. Никога не преминавайте с уреда през такива чужди обекти.

Използвайте уреда с особено внимание, когато работите в близост до склонове, теренни ръбове, изкопи и диги. Особено внимавайте да се намирате на достатъчно разстояние от подобни опасни места.

В случай че режещият инструмент или уредът срещнат някакво препятствие или чуждо тяло, изключете електродвигателя, извадете щепсела на захранващия кабел от контакта и извършете компетентна проверка.



Внимавайте за движението по инерция на режещия инструмент, което продължава още няколко секунди, преди инструментът да спре напълно.

Изключете електродвигателя:

- когато при транспортиране съществува опасност от обръщане на уреда върху площи, различни от тревни;
- когато придвижвате уреда към и обратно от площта за косене;
- преди да свалите коша за трева;
- преди да настроите височината на косене.



Изключете електродвигателя, извадете щепсела от контакта и се уверете, че режещият инструмент е спрял напълно

да се движи:

- преди да разблокирате или отпушите канала за изхвърляне;
- ако режещият инструмент е срещнал чуждо тяло. Режещият инструмент трябва да се провери за възможни повреди. Уредът не бива да се пуска в експлоатация с повреден или извит ножов вал или вал на електродвигателя. **Опасност от нараняване поради неизправни части!**
- преди да проверите, почистите или извършите други дейности по уреда (напр. настройка височината на косене, сгъване/регулиране на ръкохватката).
- преди да оставите уреда без надзор;
- преди да повдигате или пренасяте уреда;
- преди да транспортирате уреда.

- ако уредът е срещнал страничен предмет или започне да вибрира необичайно силно. В тези случаи проверете уреда и по-специално режещия блок (ножа, ножовия вал, закрепването на ножа) за повреди и извършете необходимите ремонти, преди отново да стартирате уреда и да работите с него.



Опасност от нараняване!

Силното вибриране по принцип е индикация за повреда.

Уредът не бива да се пуска в експлоатация с повреден или извит ножов вал или нож за косене.

Ако нямате необходимите познания, се обърнете към специалист – STIHL препоръчва специализираните търговци на STIHL, – който да извърши необходимите ремонти.

При непостоянно напрежение предизвиканите от този уред колебания на напрежението по време на работа на високи обороти могат да нарушат работата на други свързани към същата токова верига съоръжения. В този случай трябва да се вземат подходящи мерки (напр. свързване към друга токова верига, различна от тази на засегнатото съоръжение, свързване на уреда към токова верига с по-ниско пълно съпротивление).

4.7 Поддръжка, почистване, ремонт и съхранение



Преди всякакви дейности по уреда, преди настройка или почистване на уреда или преди проверка за заплитане

или повреда на захранващия кабел уредът трябва да се изключи и щепселът да се извади от контакта.

Оставете уреда напълно да изстине, преди да го приберете за съхранение в затворено помещение и преди да извършите дейности по поддръжката и почистването му.

Почистване:

След употреба целият уред трябва старателно да се почисти. (⇒ 11.2)

С помощта на дървена пръчка отстранете заседналите остатъци от трева. Почистете долната страна на косачката с четка и вода.

Никога не ползвайте паро- или водоструйка и не почиствайте уреда под течаща вода (напр. с градински маркуч).

Не използвайте агресивни почистващи препарати. Те могат да повредят пластмасовите и металните части, което да влоши безопасната работа на вашия уред на STIHL.

За да се избегне опасността от пожар, в зоната на охлаждащите отвори между капака на електродвигателя и корпуса не бива да попадат трева, слама, мъх, листа, изтекла грес и др.

Дейности по поддръжката:

Разрешено е извършване само на описаните в тази инструкция за експлоатация дейности по поддръжката – всички останали работи трябва да се изпълняват от специализиран търговец.

В случай че се нуждаете от информация или помощни средства, **винаги** се обръщайте към специализиран търговец.

STIHL препоръчва дейностите по

поддръжка и ремонт да се извършват само от специализиран търговец на STIHL.

Специализираните търговци на STIHL редовно преминават обучение и им се предоставя техническа информация.

Използвайте само разрешени от STIHL инструменти, принадлежности и уреди за допълнително прикачване или технически еквивалентни части, в противен случай може да възникне опасност от злополука, която да доведе до физическо нараняване на хора или повреда на уреда. Ако имате въпроси, се обърнете към специализиран търговец.

Оригиналните инструменти, принадлежности и резервни части на STIHL по своите качества са оптимално съгласувани с уреда и изискванията на потребителя. Оригиналните резервни части на STIHL се познават по каталожния номер на STIHL, по надписа STIHL и евентуално по знака на резервната част на STIHL. Върху малките части може да има само знак.

Винаги поддържайте предупредителните и указателните стикери чисти и четливи. Повредени или изгубени стикери трябва да се заменят с нови оригинални стикери от вашия специализиран търговец на STIHL. Ако даден детайл се замени с нов, погрижете се новият детайл да получи същия стикер.

При работа по режещия блок носете винаги дебели предпазни ръкавици и бъдете изключително предпазливи.

Внимавайте всички гайки, палци и болтове, особено болтът на ножа, да са добре затегнати, така че уредът да се намира в безопасно работно състояние.

Проверявайте редовно целия уред и коша за трева, особено преди да ги приборете за съхранение (напр. през зимата) за износване или повреди. От съображения за сигурност подменяйте веднага износените или повредени части, за да бъде уредът винаги в безопасно работно състояние.

В случай че за извършване на дейности по поддръжката са били отстранени компоненти или защитни приспособления, те трябва да се поставят отново след това съгласно указанията.

Проверявайте редовно ножа за косене за стабилност, повреди и износване.

4.8 Съхранение при продължително неизползване на уреда

Съхранявайте изстиналия уред в сухо и затворено помещение.

Уверете се, че уредът е защитен срещу неразрешена употреба (напр. от деца).

Почистете уреда основно, преди да го приборете за съхранение (напр. през зимата).

Съхранявайте уреда в състояние за безопасна експлоатация.

4.9 Изхвърляне

Уверете се, че излезлият от употреба уред ще бъде предаден за съобразено с изискванията изхвърляне. Преди да бъде изхвърлен, уредът трябва да се

приведе в негодно за употреба състояние. За предотвратяване на злополуки отстранете най-вече кабела за мрежово захранване, съотв. електрическия кабел към електродвигателя.

Опасност от нараняване с режещия инструмент!

Никога не оставяйте без надзор уред, който е излязъл от употреба. Уверете се, че уредът и режещият инструмент се съхраняват на място, недостъпно за деца.

5. Описание на символите



Внимание!

Преди пускане на уреда прочетете и се съобразете с инструкцията за експлоатация и указанията за безопасност.



Опасност от нараняване!

Не допускате странични лица в опасната зона.



Опасност от нараняване!

Дръжте ръцете и краката надалеч от ножовете. Пазете се от острия нож за косене. След изключване ножът за косене работи няколко секунди по инерция (спирачка на двигателя/ на ножа). Изключете двигателя и извадете щепсела от контакта, преди да извършите работи по режещия инструмент и дейности по поддръжката и почистването, преди да проверите, дали захранващият кабел е преплетен или повреден и преди да оставите уреда без надзор.



Опасност от токов удар!

Дръжте захранващия кабел далеч от режещия инструмент.



Не работете при дъжд и в условия на висока влажност.



Включете електродвигателя.

6. Подготовка на уреда за пускане в експлоатация

6.1 Сглобяване на косачката



Опасност от нараняване

Спазвайте указанията за безопасност в глава „За Вашата безопасност“. (⇒ 4.)

- Извършете сглобяването върху хоризонтална, равна и твърда повърхност. Преди монтажа проверете комплектовката.



- Сглобете коша за трева и монтирайте долните части на лоста за управление (D) – спазвайте момента на затягане.



- Позиционирайте горната част на лоста за управление върху долните му части на желаната височина и задръжте. (⇒ 7.3)

- Монтирайте горната част на лоста за управление, поставете електрическия кабел в кабелния водач (J), както е показано на фигурата, и го закрепете с кабелните скоби (K) към лоста за управление.



- Закачете коша за трева. (⇒ 7.1)

7. Командни елементи

7.1 Кош за трева



Закачане:

- Отворете дефлектора (1) и го задръжте.
- Закачете коша за трева (2) с помощта на застопоряващите зъбчета на местата, предвидени за закрепване на коша (3) от задната страна на уреда.

- Затворете дефлектора (1).

Откачане:

- Отворете дефлектора (1) и го задръжте.
- Повдигнете леко коша за трева (2) и го свалете назад.
- Затворете дефлектора (1).

7.2 Индикатор за равнището на запълване



Въздушният поток, генериран от ножа, повдига индикатора за равнището на запълване (1). Когато кошът за трева се напълни, въздушният поток спира. Ако въздушният поток е твърде малък, индикаторът за равнището на запълване (1) се връща в пасивно състояние. Това е сигнал да изпразните коша за трева.

Безпроблемното функциониране на индикатора за равнището на запълване е гарантирано сами при оптимален въздушен поток. Външни влияния като мокра, гъста или висока трева, ниска

позиция на косене, замърсяване или други подобни могат да засегнат въздушния поток и функционирането на индикатора за равнището на запълване.

A Кошът за трева се пълни

B Кошът за трева е напълнен

- Изпразнете пълния кош за трева (⇒ 10.5).

7.3 Лост за управление



Опасност от прищипване!

Горната част на лоста за управление може да се сгъне при разхлабване на въртящите се лостове. Затова винаги дръжте с една ръка горната част на лоста за управление (2) в най-високата му точка, докато разхлабвате въртящите се лостове.

I Сгъване на горната част на лоста за управление:

Транспортна позиция – за компактно транспортиране и съхранение на уреда:

- Развийте въртящите се лостове (1), така че да могат да се движат свободно и сгънете напред горната част на лоста за управление (2). Внимавайте да не повредите електрическия кабел.

Работна позиция – за бутане на уреда:

- Отворете назад и задръжте с една ръка горната част на лоста за управление (2).
- Затегнете въртящите се лостове (1).

2 Регулиране на височината:

Горната част на лоста за управление може да се монтира на 2 нива:

- Развийте въртящите се лостове (1) и свалете болтовете (3).
- Поставете горната част на лоста за управление (2) на желаното ниво: отвор **A** – горна позиция отвор **B** – долна позиция
- Пъхнете болтовете (3) през отворите на долната и горната част на лоста за управление и затегнете въртящите се лостове (1).

7.4 Централна настройка на височината на косене



Височината на косене може да се настройва на **пет** различни степени.

Степен 1:

най-малката височина на косене (25 мм)

Степен 5:

най-голямата височина на косене (65 мм)

Настройка на височината на косене:

- Натиснете навън и задръжте фиксаторния лост (1).
- Настройте желаната височина на косене чрез вдигане и спускане на уреда.
- Пуснете фиксаторния лост (1) и го оставете да се фиксира.

8. Указания за работа

8.1 Общи указания



Опасност от нараняване!

Веднага оправете кабела, в случай че се преплете.

При косене хранващият кабел трябва да е зад гърба Ви. При косене хранващите кабели могат по невнимание да бъдат прекъснати или да се спънете в тях. Ето защо те крият голям риск от злополука. Затова косете така, че хранващият кабел винаги да остава на вече окосената площ.

Хубава и гъста тревна площ се постига чрез често косене и поддържане на ниска трева.

При горещ и сух климат не косете прекалено ниско, в противен случай тревната площ ще изгори от слънцето и ще придобие невзрачен вид!

При косене с остър нож се постига по-красив вид на окосената площ, отколкото с тъп нож, ето защо ножът трябва редовно да се заточва (от специализиран търговец на STIHL).

8.2 Правилно натоварване на електродвигателя

Не включвайте косачката във висока трева, съотв. на най-ниската височина на косене.

Натоварвайте косачката само дотолкова, че честотата на въртене на електродвигателя да не спадне драстично.

При спадане на честотата на въртене изберете по-голяма височина на косене и/или намалете скоростта, с която водите косачката.

8.3 В случай че ножът за косене блокира

Веднага изключете електродвигателя и извадете щепсела от контакта. След това отстранете причината за повредата.

8.4 Защита срещу топлинно претоварване на електродвигателя

Ако по време на работа се получи претоварване на електродвигателя, вградената защита срещу топлинно претоварване го изключва автоматично.

Причини за претоварване:

- косене на много висока трева или настройка на много ниска височина на косене;
- много висока скорост на водене на косачката;
- недостатъчно почистване на проводя за охлаждащ въздух (смукателните отвори);
- ножът за косене е тъп или износен;
- неподходящ или прекалено дълъг хранващ кабел – спад на напрежението (⇒ 10.1).

Повторно пускане в експлоатация

Пуснете уреда отново в експлоатация, след като изстине в рамките на 20 мин. (в зависимост от температурата на околната среда) (⇒ 10.).

8.5 Работна зона на оператора



- От съображения за сигурност операторът никога не бива да напуска работната зона зад лоста при работещ електродвигател. Винаги спазвайте определената от ръкохватката безопасна дистанция.
- Косачката може да се управлява само от един човек. Страничните лица трябва да стоят далеч от опасната зона. (⇒ 4.)

9. Защитни приспособления

Уредът е оборудван с множество защитни приспособления, които служат за неговото безопасно управление и за защита срещу неправилното му използване.



Опасност от нараняване!

Ако при някое от защитните приспособления се установи неизправност, уредът не бива да се пуска в експлоатация. Обърнете се към вашия специализиран търговец – STIHL препоръчва своите специализирани търговци.

9.1 Защитни приспособления

Косачката е оборудвана със защитни приспособления, които предотвратяват неволен контакт с ножа за косене и изхвърляната окосена маса. Към тях спадат корпусът, дефлекторът, кошът за трева и правилно монтираната ръкохватка.

9.2 Управление с две ръце

Електродвигателят може да бъде включен само ако с дясната ръка се натисне и задържи пусковият бутон, а след това с лявата ръка лостът за спиране на двигателя се изтегли към лоста за управление.

9.3 Инерционна спирачка на електродвигателя

След пускане на лоста за спиране на двигателя ножът за косене спира да се движи след по-малко от 3 секунди.

Интегрираната в електродвигателя инерционна спирачка съкращава времето на движение по инерция на ножовете до пълното им спиране.



След включване на електродвигателя ножът започва да се върти и се чува шум като от вятър. Времето за работа по инерция съответства на продължителността на този шум като от вятър след изключване на електродвигателя. То може да се измери с хронометър.

10. Пускане на уреда в експлоатация

10.1 Свързване на уреда към електрическата мрежа



Опасност от токов удар!

Спазвайте указанията за безопасност в глава „За Вашата безопасност“ (⇒ 4.2).

При използване на кабелен барабан захранващият кабел трябва да е развит изцяло, в противен случай електрическото съпротивление може да доведе до загуба на мощност и прегряване.

Като захранващи кабели трябва да се използват само проводници, които са по-тежки от гумирани проводници **H07 RN-F DIN/VDE 0282**.

Минимално напречно сечение:

до 25 м дължина: 3 x 1,5 мм²
до 50 м дължина: 3 x 2,5 мм²

Куплунзите на кабела трябва да са от гума или с гумено покритие и да отговарят на стандарта **DIN/VDE 0620**.

Напрежението и честотата на мрежата трябва да съответстват на данните върху табелката за мощността, респ. глава „Технически данни“ (⇒ 17.).

Захранващият кабел трябва да е достатъчно безопасен (⇒ 17.).

Този уред е предвиден да се захранва от електрическа мрежа с пълно системно съпротивление $Z_{\text{макс}}$ на съединителна точка (сградна инсталация) от максимум **0,49 ома** (при 50 Hz).

Потребителят трябва да се увери, че уредът се захранва от електрическа мрежа, която отговаря на тези изисквания. Ако е необходимо, можете да попитате местното електроразпределително предприятие за пълното системно съпротивление.

10.2 Приспособление за изтегляне и прибиране на кабела



Приспособлението за изтегляне и прибиране на кабела предотвратява неволното изваждане на захранващия кабел по време на работа, което може да причини повреда на гнездото за включване на уреда към електрическата мрежа.

Затова захранващият кабел трябва да бъде направляван посредством това приспособление.

- Направете примка със захранващия кабел (1) и я прекарайте през отвора (2).
- Нахлузете примката на куката (3) и я затегнете.

10.3 Включване на косачката



Не включвайте електродвигателя във висока трева или на най-ниската височина на косене, тъй като това затруднява процеса на включване.

- Натиснете пусковия бутон (1) и го задръжте. Издържайте лоста за спиране на двигателя (2) към лоста за управление и го задръжте.

- Пусковият бутон (1) може да бъде освободен след задействане на лоста за спиране на двигателя (2).

10.4 Изключване на косачката



- Пуснете лоста за спиране на двигателя (1). След кратко време на движение по инерция електродвигателят и ножът за косене спират.

10.5 Изпразване на коша за трева



Опасност от нараняване!

От съображения за сигурност преди сваляне на коша за трева електродвигателят трябва да се изключи.

- Откачете коша за трева. (⇒ 7.1)
- Отворете коша за трева за затварящата планка (1). Отворете горната част на коша за трева (2) и я задръжте. Обърнете назад коша за трева и го изпразнете от окосената маса.
- Затворете коша за трева.
- Закачете коша за трева. (⇒ 7.1)

11. Поддръжка

11.1 Общи указания



Опасност от нараняване!

Спазвайте указанията за безопасност в глава „За Вашата безопасност“ (⇒ 4.).

Годишна поддръжка от специализиран търговец:

Косачката трябва да се проверява веднъж годишно от специализиран търговец. STIHL препоръчва своите специализирани търговци.

11.2 Почистване на уреда

Интервал на поддръжка: след всяка употреба



- Поставете косачката върху твърд, хоризонтален и равен терен.
- Откачете коша за трева. (⇒ 7.1)
- Обърнете настрани косачката (1), за да я почистите от долната страна.
- Почиствайте уреда само с вода, четка или кърпа. С помощта на дървена пръчка отстранете заседналите остатъци от трева. При нужда използвайте специален почистващ препарат (напр. специалния почистващ препарат на STIHL).
- Никога не насочвайте водна струя или пара под високо налягане към прекъсвачите, частите на двигателя, уплътненията и лагерите.

11.3 Електродвигател и колела

Електродвигателят не се нуждае от поддръжка.

Лагерите на колелата не се нуждаят от поддръжка.

11.4 Горна част на лоста за управление

Интервал на поддръжка: преди всяка употреба

Проверете горната част на лоста за управление за повреди – тя има изолиращо покритие. В случай че то е повредено, не използвайте косачката и подменете горната част на лоста за управление.

11.5 Поддръжка на ножа за косене



Интервал на поддръжка: преди всяка употреба



Опасност от нараняване!

Преди всяка употреба проверявайте ножа за повреди. Ножът трябва да се подмени, ако се виждат резки или пукнатини или ако са достигнати или преминати границите на износване.

- Обърнете настрани косачката. (⇒ 11.2)
- Почистете ножа за косене (1) и го проверете за повреди (резки или пукнатини) и износване и при нужда го подменете.
- Проверете **дебелината на ножа** **A** на няколко места с помощта на измервателен шибър. По-специално извършете допълнителни измервания също и в областта на лопатките на ножа.
A > 1,6 мм

- Поставете линия (2) до предния ръб на ножа и измерете **обратното заточване** **B**.
B < 5 мм

11.6 Демонтаж и монтаж на ножа за косене



Опасност от нараняване!

При всякакви дейности по ножа за косене носете подходящи предпазни ръкавици.

- При дейности по ножа за косене обърнете настрани косачката. (⇒ 11.2)
- ### 1 Демонтаж:
- Хванете с една ръка ножа за косене (1).
 - Развийте болта на ножа (2) и го свалете заедно със захващащото приспособление (3) и ножа за косене (1).

2 Монтаж:



Опасност от нараняване!

Преди монтажа проверете състоянието на ножа за косене (повреди, износване) и при нужда го сменете. (⇒ 11.5)

Монтирайте ножа за косене само както е показано на фигурата с извитите лопатки нагоре (към уреда). Спазвайте точно предварително зададения момент на затягане на болта на ножа, тъй като от това зависи сигурното закрепване на режещия инструмент. Допълнително фиксирайте болта на ножа с **Loctite 243**.

При всяка смяна на ножа подменяйте и болта на ножа и захващащото приспособление.

- Почистете контактната повърхност, захващащото приспособление и втулката на ножа.
- Поставете ножа за косене (1) към втулката на ножа с извитите лопатки нагоре. Позиционирайте водещите щифтове (4) на втулката на ножа в отворите на ножа за косене.
- Дръжте с една ръка ножа за косене (1) и поставете захващащото приспособление (3).
- Завийте болта на ножа (2) и го затегнете.

Момент на затягане на болта на ножа:

15 - 20 Nm

11.7 Наточване на ножа за косене

STIHL препоръчва ножът за косене да се дава за наточване от специалист. При неправилно наточен нож (грешен ъгъл на заточване, дисбаланс и др.) функционирането на уреда може да се влоши.

Указания за наточване на ножа:

- Демонтирайте ножа за косене. (⇒ 11.6)
- При наточване изстудете ножа за косене, например с вода. Не бива да се получава синьо оцветяване, защото така се намалява устойчивостта на рязане.
- Наточвайте ножа равномерно, за да избегнете вибрации поради дисбаланс.
- Спазвайте ъгъла на заточване от 30°.
- След наточване неравностите по режещия ръб се отстраняват с фина шкурка.

11.8 Съхранение на уреда (през зимата)

Съхранявайте уреда в сухо и затворено помещение без наличие на много прах. Уверете се, че той се съхранява на място, недостъпно за деца.

Съхранявайте косачката само в безопасно за експлоатация състояние, при нужда сгънете двойната ръкохватка.

Затегнете всички гайки, палци и болтове, подновете станалите нечетливи предупредителни надписи

по уреда, проверете цялата машина за износване или повреди. Сменете износените или повредени части.

Евентуалните неизправности по уреда трябва да се отстранят, преди да бъде прибран за съхранение.

При по-продължително неизползване на косачката (зимна пауза) спазвайте следното:

- Почистете внимателно всички външни части на уреда.
- Смажете с масло съотв. грес всички подвижни части.

12. Транспортиране

12.1 Транспортиране



Опасност от нараняване!

Преди транспортиране прочетете и спазвайте указанията в глава „За Вашата безопасност“. (⇒ 4.) При транспортиране носете винаги подходящо защитно облекло (предпазни обувки, плътни предпазни ръкавици). Преди вдигане или транспортиране винаги изваждайте захранващия кабел.

Носене на уреда:

- Носете косачката, като я държите с едната ръка за ръкохватката за носене (1), а с другата за корпуса (2). Внимавайте винаги да има достатъчно разстояние между тялото Ви (най-вече краката) и ножа за косене.

или

- Носете косачката, като я държите с едната ръка за ръкохватката за носене (1).

Закрепване на уреда:

- Обезопасете косачката и коша за трева върху товарната платформа с подходящи крепежни средства.
- Завържете въжетата или ремъците за ръкохватката за носене (1) и за долните части на лоста за управление (3).

13. Минимизиране на износването и предотвратяване на повреди

Важни указания за поддръжка на групата продукти

Косачка, ръчноводена с мрежово захранване (STIHL RME)

За материални щети и физическо нараняване на хора, които са причинени поради неспазване на указанията в ръководството за експлоатация, особено по отношение на безопасността, обслужването и поддръжката, или поради употреба на неразрешени приспособления за допълнително монтиране и резервни части, фирмата STIHL не носи никаква отговорност.

Непременно спазвайте следните указания, за да предотвратите повреди или прекалено износване на вашия уред на STIHL:

1. Износващи се части

Някои части на уреда STIHL, дори и при употреба по предназначение, се износват и в зависимост от вида и продължителността на използване трябва да се подменят своевременно.

Към тях спадат:

- нож.

2. Спазване на предписанията, посочени в тази инструкция за експлоатация

Използването, поддръжката и съхранението на уреда на STIHL трябва да се извършват грижливо, както е описано в тази инструкция за експлоатация. Потребителят отговаря лично за всички повреди, причинени поради неспазване на указанията за безопасност, обслужване и поддръжка.

Това в най-голяма степен се отнася за:

- недостатъчен капацитет на захранващия кабел (напречно сечение);
- неправилно свързване към електрическата мрежа (напрежение);
- неразрешени от STIHL промени по продукта;
- използване на инструменти или допълнителни принадлежности, които не са позволени и не са подходящи за уреда или са с по-ниско качество;
- употреба на продукта не по предназначение;
- използването на продукта при спортни или състезателни мероприятия;

- вторични повреди вследствие на използването на продукта с неизправни части.

3. Дейности по поддръжката

Всички изброени в раздел „Поддръжка“ дейности трябва да бъдат извършвани редовно.

Ако тези дейности по поддръжката не могат да бъдат извършвани от самия потребител, той трябва да се обърне към специализиран търговец.

STIHL препоръчва дейностите по поддръжка и ремонт да се извършват само при специализиран търговец на STIHL.

Специализираните търговци на STIHL редовно преминават обучение и им се предоставя техническа информация.

Ако тези дейности по поддръжката не бъдат извършени, могат да възникнат повреди, за които е отговорен потребителят.

Към тях спадат:

- повреди на електродвигателя в резултат на недостатъчно почистване на проводя за охлаждащ въздух (смукателните отвори);
- корозионни и други вторични повреди вследствие на неправилно съхранение на уреда;
- повреди на уреда поради употреба на резервни части с по-ниско качество;
- повреди в резултат на ненавременна или недостатъчна сервизна поддръжка, съответно повреди вследствие на дейности по поддръжка и ремонт, които не са извършени в сервизите на специализираните търговци.

14. Опазване на околната среда



Окосената трева не бива да се изхвърля на боклука, а трябва да се компостира.

Опаковките, уредът и принадлежностите са произведени от материали, които подлежат на рециклиране, и трябва да се изхвърлят по съответния начин.

Разделното и екосъобразно изхвърляне на остатъчните материали подпомага повторната употреба на вторични суровини. Затова след изтичане на обичайния му срок на използване уредът трябва да се предаде на вторични суровини. При изхвърляне обърнете внимание на информацията в глава „Изхвърляне“ (⇒ 4.9).

Обърнете се към Вашия център за рециклиране или към Вашия специализиран търговец, за да научите как да изхвърляте правилно отпадните продукти.

15. Обичайни резервни части

Нож за косене:
6311 702 0100

Болт на ножа:
9018 321 1800

Захващащо приспособление:
6311 702 0600



При смяна на ножа подменяйте болта на ножа и захващащото приспособление. Резервни части могат да се закупят от специализираните търговци на STIHL.

16. Декларация за съответствие

16.1 ЕС декларация за съответствие косачка STIHL RME 235.0

STIHL Tirol GmbH
Hans Peter Stihl-Straße 5
6336 Langkampfen
Австрия

декларира, поемайки пълна отговорност, че

- Модел: Електрическа косачка
- Фабрична марка: STIHL
- Тип: RME 235.0
- Ширина на косене: 33 см
- Сериен номер: 6311

отговаря на съответните разпоредби на Директивите 2006/42/ЕС, 2000/14/ЕС, 2014/30/EU и 2011/65/EU и е разработена и произведена в съответствие с актуалните към датата на производство версии на следните стандарти: EN 60335-1, EN 60335-2-77, EN 55014-1, EN 55014-2, EN 61000-3-2 und EN 61000-3-3.

Нотифициран орган:
TÜV Rheinland LGA Products GmbH
Tillystraße 2
90431 Nürnberg, DE

За установяване на измереното и гарантираното ниво на шума беше приложена Директива 2000/14/ЕС, приложение VIII.

- Измерено ниво на шума: 92,1 dB(A)
- Гарантирано ниво на шума: 93 dB(A)

Техническата документация се съхранява в STIHL Tirol GmbH.

Годината на производство и машинният номер са посочени върху косачката.

Лангкампфен, 29.04.2021 г.

STIHL Tirol GmbH

По зам.

Matthias Fleischer, завеждащ отдел „Научноизследователска дейност и разработка на нови продукти“

По зам.

Sven Zimmermann, завеждащ отдел „Качество“

17. Технически данни

Тип	RME 235.0
Сериен номер	6311
Двигател, модел	Електродвигател
Тип двигател	АС
	Универсален двигател
Напрежение	230 V~
Получена мощност	1200 W
Честота	50 Hz
Защитно устройство	5 A
Клас на защита	II
Вид защита	IPX 4
Съоръжение за рязане	Ножодържач
Ширина на косене	33 см
Честота на въртене на съоръжението за рязане	3200 об/мин
Съгласно 2000/14/ЕС/S.I. 2001/1701:	
Гарантирано ниво на шума L_{WA}	93 dB(A)
Коефициент на неопределеност K_{WA}	0,8 dB(A)
Измерване съгласно EN 60335-2-77:	
Ниво на шума на работното място L_{pA}	80 dB(A)
Коефициент на неопределеност K_{pA}	2 dB(A)
Задвижване на ножодържача	постоянно

Тип	RME 235.0
Момент на затягане на болта на ножа	15 - 20 Nm
Предно колело, Ø	140 мм
Задно колело, Ø	170 мм
Вместимост на коша за трева	30 l
Височина на косене	25 - 65 мм
Зададена характеристика на вибрациите съгласно EN 12096:	
Измерена стойност a_{hw}	1,40 м/сек ²
Коефициент на неопределеност K_{hw}	0,70 м/сек ²
Измерване съгласно EN 20643, EN 60335-2-77	
Дължина	127 см
Ширина	37 см
Височина	108 см
Тегло	13 кг
	14 кг (GB)

17.1 REACH

REACH е краткото наименование на Регламент на ЕО относно регистрацията, оценката и разрезаването на химични вещества.

За информация относно изпълнението на изискванията съгласно Регламента REACH (ЕО) 1907/2006 вж. www.stihl.com/reach.

18. Откриване на повреди

✘ евентуално се обърнете към специализиран търговец – STIHL препоръчва своя специализиран търговец.

Неизправност:

Електродвигателят не стартира

Възможна причина:

- Няма мрежово напрежение
- Неизправен захранващ кабел/щепсел, съответно щепселно съединение или прекъсвач
- Бутонът за стартиране не е натиснат
- Електродвигателят е претоварен поради косене на прекалено висока или влажна трева
- Защитата на електродвигателя е активирана
- Корпусът на косачката е запушен
- Предпазителят в щепсела е неизправен (версия за Великобритания)

Отстраняване:

- Проверете защитното устройство (⇒ 10.1)
- Проверете кабела/щепсела/прекъсвача и ако е необходимо, ги подменете (⇒ 10.1)
- Натиснете бутона за стартиране (⇒ 10.3)
- Не включвайте електродвигателя във висока трева, коригирайте височината на косене (⇒ 7.4)
- Оставете уреда да изстине (⇒ 8.4)
- Почистете корпуса на косачката (⇒ 11.2)
- Сменете предпазителя в щепсела (✘)

Неизправност:

Често задействащи се предпазители

Възможна причина:

- Неподходящ захранващ кабел
- Претоварване на мрежата
- Уредът е претоварен поради косене на прекалено висока или влажна трева

Отстраняване:

- Използвайте подходящ захранващ кабел (⇒ 10.1)
- Свържете уреда към друга токова верига
- Съобразете височината и скоростта на косене с условията на косене (⇒ 7.4)

Неизправност:

Силни вибрации по време на работа

Възможна причина:

- Болтът на ножа е хлабав
- Ножът не е балансиран

Отстраняване:

- Затегнете болта на ножа (⇒ 11.6)
- Заточете (балансирайте) или подменете ножа (⇒ 11.7)

Неизправност:

Некачествено косене, тревата пожълтява

Възможна причина:

- Ножът за косене е тъп или износен
- Скоростта на водене на уреда е много голяма за избраната височина на косене

Отстраняване:

- Заточете ножа за косене или го подменете (⇒ 11.7)

- Намалете скоростта на водене на уреда и/или изберете правилната височина на косене (⇒ 7.4)

Неизправност:

Затруднено включване или отслабване мощността на електродвигателя

Възможна причина:

- Косене на прекалено висока или влажна трева
- Корпусът на косачката е запушен

Отстраняване:

- Съобразете височината и скоростта на косене с условията за косене (⇒ 7.4)
- Почистете корпуса на косачката (преди почистване извадете щепсела от контакта) (⇒ 11.2)

Неизправност:

Каналът за изхвърляне е запушен

Възможна причина:

- Ножът е износен
- Косене на прекалено висока или влажна трева

Отстраняване:

- Подменете ножа за косене (⇒ 11.7)
- Съобразете височината и скоростта на косене с условията за косене (⇒ 7.4)

19. Сервизен план

19.1 Потвърждение за предаване

Модел:	_____
Сериен номер:	<input type="text"/> <input type="text"/> <input type="text"/> <input type="text"/> <input type="text"/> <input type="text"/> <input type="text"/> <input type="text"/>
дата:	<input type="text"/> <input type="text"/> <input type="text"/> <input type="text"/> <input type="text"/> <input type="text"/> <input type="text"/> <input type="text"/>
	
Следващ сервиз	
дата:	<input type="text"/> <input type="text"/> <input type="text"/> <input type="text"/> <input type="text"/> <input type="text"/> <input type="text"/> <input type="text"/>

19.2 Потвърждение за извършена сервизна поддръжка



Дайте тази инструкция за експлоатация на вашия специализиран търговец на STIHL при извършване на дейности по поддръжката. Той ще потвърди изпълнението на сервизните дейности в полетата на формуляра.



Сервизната поддръжка е извършена на



Дата на следваща сервизна поддръжка

Любі клієнти та клієнтки,

ми раді, що Ви обрали компанію STIHL. Ми розробляємо та виробляємо нашу продукцію з найвищою якістю та у відповідності із потребами наших клієнтів. Так виникають товари, що мають високу надійність також при екстремальному навантаженні.

Компанія STIHL також гарантує найвищу якість сервісного обслуговування. Наші спеціалізовані дилери забезпечують компетентну консультацію та інструктаж, а також повне технічне обслуговування.

Ми вдячні Вам за Вашу довіру та бажаємо Вам задоволення від придбаного Вами продукту STIHL.



Доктор Nikolas Stihl

**ВАЖЛИВО! ПЕРЕД
ВИКОРИСТАННЯМ ПРОЧИТАТИ ТА
ЗБЕРЕГТИ.**

1. Зміст

Пояснення до цього посібника	164	Термозахист електродвигуна від перенавантаження	173
Загальні відомості	164	Робоча зона користувача	173
Поради щодо читання посібника з експлуатації	164	Захисні механізми	173
Варіанти для різних країн	165	Захисні механізми	173
Опис приладу	165	Обслуговування двома руками	174
Техніка безпеки	165	Механізм гальмування електродвигуна	174
Загальні відомості	165	Введення приладу в експлуатацію	174
Увага! Небезпека ураження електричним струмом!	166	Підключення приладу до електромережі	174
Одяг та засоби захисту	167	Фіксатор для зменшення зусилля розтягу	174
Транспортування приладу	167	Увімкнення газонокосарки	174
Перед початком роботи	167	Вимкнення газонокосарки	175
Під час роботи	168	Спорожнення кошика для трави	175
Технічне обслуговування, чищення, ремонт і зберігання	170	Обслуговування	175
Зберігання при довгих перервах у роботі	171	Загальні відомості	175
Утилізація	171	Чищення приладу	175
Опис позначень	171	Електричний двигун і колеса	175
Підготовка приладу до експлуатації	171	Верхня частина ручки керування	175
Збирання косарки	171	Догляд за ножем косарки	175
Пристрої керування	172	Монтаж і демонтаж ножа косарки	176
Кошик для трави	172	Заточування ножа косарки	176
Індикатор рівня заповнення	172	Зберігання (зимовий період)	176
Ручка керування	172	Транспортування	177
Центральний механізм регулювання висоти скошування	172	Транспортування	177
Вказівки щодо роботи	173	Зведення зносу до мінімуму та запобігання пошкодженням	177
Загальні відомості	173	Захист довкілля	178
Припустиме навантаження електродвигуна	173	Замінювані запчастини	178
Якщо ніж газонокосарки блокується	173	Декларація виробника про відповідність	178
		Декларація виробника про відповідність газонокосарки STIHL RME 235.0	178
		Знак відповідності	179

Встановлена тривалість використання	179
Штаб-квартира STIHL	179
Дочірні компанії STIHL	179
Представники STIHL	179
Імпортери STIHL	179
Технічні характеристики	180
REACH	180
Усунення несправностей	181
План технічного обслуговування	182
Підтвердження передачі	182
Підтвердження про надання технічного обслуговування	182

2. Пояснення до цього посібника

2.1 Загальні відомості

Цей посібник з експлуатації є **оригінальним посібником з експлуатації** виробника відповідно до директиви ЄС 2006/42/ЄС.

Компанія STIHL постійно працює над розширенням і вдосконаленням асортименту своєї продукції. Можливі зміни комплекту постачання щодо форми, оснащення чи технічних характеристик. З цієї причини наведені в посібнику дані і малюнки не можуть слугувати підставою для пред'явлення будь-яких претензій.

Цей посібник з експлуатації може містити описи моделей, які доступні не в усіх країнах.

Цей посібник з експлуатації захищено авторським правом. Усі права захищено, особливо права на відтворення, переклад і обробку електронними системами.

2.2 Поради щодо читання посібника з експлуатації

Малюнки та текст описують певні дії.

Тлумачення всіх символів на приладі можна знайти в посібнику з експлуатації.

Напрямок погляду

У посібнику з експлуатації вказується напрямок погляду під час використання: «вліво» та «вправо». Користувач стоїть позаду приладу лицем у напрямку руху.

Посилання на розділи

Відповідні розділи та підрозділи з подальшими поясненнями позначені стрілками. Ось приклад посилання на розділ: (⇒ 3.)

Маркування в текстовій частині

Наведені інструкції позначено, як у прикладах нижче.

Маніпуляції, які повинен виконувати користувач:

- Послабте гвинт (1) викруткою, приведіть важіль (2) в дію.

Загальні вказівки:

- використання приладів у спортивних заходах та інших змаганнях

Тексти з додатковим значенням

Маленькі тексти з додатковим значенням виділено наведеними нижче символами, щоб додатково виділити їх у посібнику.



Небезпека!

Попередження про небезпеку нещасного випадку або важких травм. Наведеного правила необхідно дотримуватися.



Попередження

Попередження про небезпеку травмування. Наведене правило дає змогу запобігти можливим або ймовірним нещасним випадкам.



Застереження

Застереження про можливість легких травм і пошкоджень майна. Наведене правило дає змогу їх уникнути.



Указівка

Поради з оптимального використання приладу та застереження від можливих помилок в експлуатації.

Тексти з малюнками

Малюнки, які пояснюють використання приладів, містяться на початку посібника з експлуатації.

Символ камери служить для встановлення зв'язку між малюнками та відповідними параграфами тексту в посібнику з експлуатації.



2.3 Варіанти для різних країн

Компанія STIHL надає різні штекери та перемикачі залежно від країни, у яку постачається прилад.

На малюнках зображені прилади з Євроштекерами. Під'єднання приладів до мережі за допомогою інших штекерів відбувається так само.

3. Опис приладу



- 1 Верхня частина ручки керування
- 2 Ручка зупинки двигуна
- 3 Барашковий гвинт
- 4 Клапан викидача
- 5 Ручка для транспортування
- 6 Капот двигуна
- 7 Переднє колесо
- 8 Корпус
- 9 Заднє колесо
- 10 Нижня частина ручки керування
- 11 Затискач для кабелю
- 12 Кошик для трави
- 13 Кабельний блок
- 14 Індикатор рівня заповнення
- 15 Кнопка запуску
- 16 Гніздо підключення до мережі
- 17 Фіксатор для зменшення зусилля розтягу
- 18 Важіль регулювання висоти

4. Техніка безпеки

4.1 Загальні відомості



Працюючи з приладом, обов'язково дотримуйтеся наведених правил техніки безпеки.



Перед першим використанням приладу уважно прочитайте весь посібник з експлуатації.

Дбайливо зберігайте посібник з експлуатації для подальшого використання.

Ці заходи дуже важливі для вашої безпеки. Використовуйте прилад дбайливо та відповідально, пам'ятайте, що відповідальність за безпеку інших осіб чи їхнього майна несе користувач.

Ознайомтеся з елементами керування та правилами експлуатації приладу.

Прилад дозволяється використовувати лише тим особам, які прочитали посібник з експлуатації та ознайомилися із правилами його використання. Кожен користувач перед першим запуском приладу повинен отримати практичні поради фахівців. Зверніться до продавця чи до іншого фахівця з приводу пояснення щодо безпечного поводження із приладом.

Ці вказівки особа повинна вислухати дуже уважно та розуміти, що для роботи з цим приладом потрібна особлива точність і концентрація.

Навіть якщо Ви експлуатуєте цей прилад належним чином, не варто забувати про можливість виникнення залишкових ризиків.



Небезпека задихнутися!

Граючись із пакувальним матеріалом, діти можуть задихнутися. Тримайте пакувальний матеріал подалі від дітей.

Прилад разом із будь-яким приладдям може бути наданий для використання тільки тій особі, яка має досвід роботи з цією моделлю. Прилад не можна надавати в користування без Посібника з експлуатації.

Використовуйте прилад відпочивши, коли ви у гарному фізичному стані та гуморі. Якщо ви маєте порушення здоров'я, порадьтеся обов'язково з вашим лікарем щодо використання приладу. Заборонено працювати з приладом після вживання алкоголю, наркотичних речовин і медикаментів, які погіршують здатність до реагування.

Переконайтеся, що фізичні, сенсорні та розумові здібності користувача дозволяють йому керувати приладом і працювати з ним. Якщо через фізичні, сенсорні та розумові здібності користувач може виконувати ці дії з обмеженнями, то він може працювати з приладом лише під наглядом або після інструктажу відповідальної особи.

Переконайтеся, що користувач досяг повноліття, або, якщо цього вимагає місцеве законодавство, здобув професійну освіту під наглядом.

Прилад розраховано на використання в домашньому господарстві.

Увага – стережіться нещасного випадку!

Прилад призначено лише для косіння газонів. Застосування для іншої мети неприпустиме й може становити небезпеку для здоров'я людини та стану приладу.

Через небезпеку травмування користувача заборонено застосовувати прилад (зокрема, але не виключно):

- для підстригання кущів, живоплотів і чагарників;
- для обрізання повзучих рослин;
- для догляду за газонами на дахах будівель або в ящиках на балконі;
- для січення та подрібнення обрізків дерев і живоплоту;
- для чищення пішохідних доріжок (всмоктування бруду, продування);
- для вирівнювання поверхні (наприклад, прибирання кротовиння);
- для транспортування скошеної трави (не в призначеному для цього кошику для трави).

З міркувань безпеки заборонено самостійно робити будь-які зміни в оснащенні приладу, виймати запчастини та знімати приладдя, установлене компанією STIHL. Це також веде до переривання гарантії. Інформацію щодо додаткового оснащення можна отримати у офіційного дилера STIHL.

Особливо заборонені дії з приладом, які змінюють його потужність або число обертів двигуна внутрішнього згорання чи електродвигуна.

Заборонено транспортувати прилад разом з іншими речами, тваринами чи людьми, особливо дітьми.

При використанні у громадських місцях, парках, спортивних майданчиках, на вулицях, на сільськогосподарських та лісових підприємствах необхідна особлива обережність.



Увага! Стережіться негативного впливу вібрацій на здоров'я!

Надмірне навантаження внаслідок вібрації може призвести до проблем із кровообігом і нервовою системою, особливо в людей із порушеннями кровообігу. Якщо з'являться симптоми, котрі можуть бути спричинені вібраційним навантаженням, зверніться до свого лікаря.

Ці симптоми з'являються переважно в пальцях, руках і суглобах рук. Серед них (зокрема, але не виключно):

- втрата чутливості,
- біль,
- слабкість м'язів,
- зміна кольору шкіри,
- неприємне свербіння.

Під час експлуатації утримуйте ручку керування обома руками в передбачених місцях, не докладаючи значних зусиль.

Сплануйте робочий час таким чином, щоб можна було уникати надмірних навантажень тривалий час.

4.2 Увага! Небезпека ураження електричним струмом!



Увага! Небезпека ураження електричним струмом!

Зверніть особливу увагу на мережевий кабель, штекер, вмикач / вмикач і з'єднувальний кабель. Щоб запобігти ураженню електричним струмом, не використовуйте пошкоджені кабелі, муфти й штепселі, а також відповідні з'єднувальні кабелі, які не відповідають чинним вимогам.



Регулярно перевіряйте з'єднувальний кабель на наявність пошкодження або ознак старіння (ламкості).

Прилад дозволено використовувати, лише якщо мережевий кабель повністю розмотано.

Користуючись кабельним барабаном, пильнуйте, щоб мережевий кабель був повністю розмотаний.

Ніколи не використовуйте пошкоджений кабель-подовжувач. Замініть пошкоджений кабель на новий. Ніколи не ремонтуйте кабель-подовжувач.

Не можна використовувати прилад із пошкодженими чи зношеними кабелями. Особливо уважно необхідно перевіряти на пошкодження й ознаки зносу з'єднувальний мережевий кабель.

Техобслуговування й ремонт мережевих кабелів можуть виконувати лише працівники, які мають спеціальну освіту.

Небезпека ураження електричним струмом!

Не підключайте пошкоджений кабель до мережі та не торкайтеся пошкодженого кабелю, доки не від'єднаєте його від мережі.

Небезпека ураження електричним струмом!

Забораються використовувати пошкоджені кабелі, муфти та штепселі, а також з'єднувальні кабелі, які не відповідають чинним вимогам.

Торкатися ріжучих блоків (ножів) можна, лише коли прилад від'єднано від мережі.

Завжди слідкуйте за тим, щоб мережеві кабелі були достатньо захищені.



Хоча електродвигун захищений від бризок води, з приладом заборонено працювати під дощем і в умовах підвищеної вологості.

Для роботи приладу за межами приміщення слід використовувати лише спеціальні кабелі-подовжувачі з гідроізоляцією (⇒ 10.1).

Слідкуйте, щоб під час косіння кабель був на безпечній відстані від ножа.

Від'єднуючи з'єднувальний кабель від розетки, не тягніть за кабель.

Якщо прилад підключено до генератора струму, слідкуйте за тим, щоб коливання струму не пошкодили садовий подрібнювач.

Підключайте прилад лише до електромережі із системою захисту від аварійного струму (зі струмом вимикання не більше 30 мА). Щоб отримати докладніші відомості, зверніться до електрика.

З міркувань безпеки електрокабель завжди має бути прикріплений до ручки керування належним чином.

4.3 Одяг та засоби захисту



Для роботи завжди взувайте тверде взуття на неслизькій підшві. Не працюйте босоніж або, наприклад, у легких сандалях.



Для технічного обслуговування, чищення та транспортування приладу необхідно завжди вдягати міцні захисні рукавиці та збирати довге волосся (під хустину, шапку тощо).



Для гостріння ножа газонокосарки слід одягати спеціальні захисні окуляри.

Користуватися приладом можна лише в довгих штанах і вузькому прилягаючому одязі.

У жодному разі не можна працювати у вільному одязі, який може зачепитися за рухомі частини (важіль керування), а також у прикрасах, краватці чи шарфі.

4.4 Транспортування приладу

Працювати слід тільки в рукавичках, щоб не травмуватися гострими та гарячими деталями приладу.

Перед транспортуванням вимкніть прилад, витягніть мережевий кабель і дайте ножеві повністю зупинитися.

Перевозити прилад слід лише з охолодженим електродвигуном.

Зважаючи на вагу приладу, за потреби використовуйте відповідні вантажні пристрої (вантажні платформи, підйомні пристрої).

Зафіксуйте прилад і його інші деталі (наприклад, кошик для трави) на вантажній платформі кріпильними засобами достатніх розмірів (ременями, канатами тощо).

Під час піднімання та перенесення уникайте контакту з ножем газонокосарки.

Дотримуйтесь вказівок, наведених у розділі «Транспортування». Там описано, як піднімати та кріпити прилад. (⇒ 12.1)

Під час транспортування приладу дотримуйтесь регіональних приписів, зокрема тих, що стосуються безпеки завантаження та перевезення предметів на вантажній платформі.

4.5 Перед початком роботи

Обов'язково переконайтеся, що особи, які працюватимуть із приладом, ознайомилися з Посібником із експлуатації.

Дотримуйтеся встановлених місцевими органами влади вимог щодо часу експлуатації садових приладів із двигуном внутрішнього згорання.

Перед косінням уважно огляньте ділянку і винесіть із неї каміння, палиці, дріт, кістки та інші сторонні предмети, які прилад може підкидати вгору. Перешкоди (наприклад, пеньки, коріння) легко не помітити у високій траві.

Тому перед роботою з приладом позначте на ділянці газону всі приховані об'єкти (перешкоди), які не можна прибрати.

Перед початком роботи з приладом обов'язково замініть усі дефектні, зношені та пошкоджені частини. Зношені або пошкоджені надписи з попередженнями на корпусі приладу необхідно замінити. Усі необхідні наклейки та запасні частини можна придбати у офіційного дилера STIHL.

Прилад можна використовувати тільки в належному технічному стані. Перед кожним введенням в експлуатацію виконуйте описані нижче перевірки.

- Перевірте, чи належним чином зібрано прилад.
- Перевірте, чи в робочому стані тип ножа і весь ріжучий блок (ніж газонокосарки, кріпильні елементи, корпус косильного механізму). Особливо уважно слід перевіряти, чи надійно їх установлено, чи не мають вони ознак пошкодження або зносу (щербин або тріщин).
- Перевірте, чи захисні механізми (наприклад, клапан викидача, корпус, ручка керування, ручка зупинки двигуна) перебувають у бездоганному стані та правильно функціонують.
- Перевірте, чи не пошкоджено та чи повністю встановлено кошик для трави (пошкоджений кошик для трави використовувати не можна).
- Перевірте, чи працює механізм гальмування електродвигуна.

За потреби виконайте всі необхідні роботи або зверніться до сервісної служби. Компанія STIHL рекомендує звертатися до офіційного дилера STIHL.

Дотримуйтеся даних, наведених у розділі «Небезпека: електричний струм» (⇒ 4.2).

Ніколи не вмикайте електродвигун без відповідно встановленого ножа. Це може призвести до перегрівання електродвигуна!

4.6 Під час роботи



Не використовуйте прилад, якщо поблизу знаходяться інші люди (особливо діти) чи тварини.

Заборонено знімати та змінювати встановлені на приладі вимикачі й захисні механізми. Зокрема, ніколи не фіксуйте ручку зупинки двигуна на ручці керування (наприклад, прив'язуванням).

Ручка керування має завжди бути правильно встановлена. Її конструкцію не можна змінювати. Ніколи не працюйте з приладом зі складеною ручкою керування.

Ніколи не закріплюйте на ручці керування сторонні предмети (наприклад, робочий одяг). Кабелі-подовжувачі не можна намотувати на ручку керування.

Працюйте лише при денному світлі або при належному штучному освітленні.

Заборонено працювати, якщо температура навколишнього середовища нижча +5°C.

Заборонено працювати з приладом під дощем, у грозу та особливо при можливості ураження блискавкою.

На вологій поверхні зростає загроза травмування через зменшення стійкості приладу.

Будьте особливо обережні працюючи, щоб не підсковзнутись. Якщо це можливо, не використовуйте прилад на вологій поверхні.

Не залишайте прилад під дощем.

Увімкнення приладу

Вмикайте прилад обережно, дотримуючись порад із розділу «Введення приладу в експлуатацію». (⇒ 10.)

Пильнуйте, щоб тип ножа перебував на достатній відстані від ніг.

Під час увімкнення прилад має стояти на рівній поверхні.

Перед увімкненням і під час нього заборонено перекидати прилад.

Не запускайте електродвигун, якщо викидний отвір не закрито клапаном викидача або кошиком для трави.

Уникайте надто частого вмикання приладу протягом короткого проміжку часу; не «грайтеся» кнопкою увімкнення. Це може призвести до перегрівання електродвигуна!

Робота на схилах

Схили потрібно завжди обробляти в поперечному напрямку, а не в повздовжньому.

Якщо під час косіння в повздовжньому напрямку користувач утратить контроль, він може потрапити під прилад, який працює.

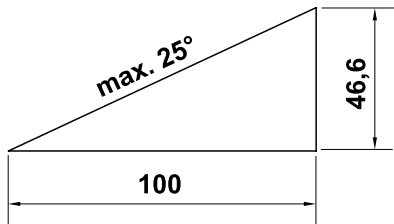
Будьте особливо обережні, коли змінюєте напрямок руху на схилі.

Займайте надійне положення для роботи на схилах, не косіть на дуже крутих схилах.

З міркувань безпеки заборонено використовувати прилад на схилах із кутом нахилу більше 25° (46,6 %).

Небезпека травмування!

Кут нахилу 25° відповідає вертикальному підйому в 46,6 см на 100 см горизонтальної поверхні.



Процес роботи:



Увага! Небезпека травмування!

Ніколи не наближайте руки чи ноги до рухомих частин і не ставте їх під ними. Не торкайтеся ножа, коли він обертається. Тримайтеся на безпечній відстані від отвору викидача. Завжди дотримуйтеся безпечної відстані, заданої ручкою керування.



Намагайтеся не перевіряти ніж під час експлуатації приладу. Не відкривайте клапан викидача та/або не знімайте кошик для трави, коли ніж газонокосарки працює. Стережіться поранення ножом, який обертається.

Ведіть прилад повільно. Ніколи не біжіть. При швидкому переміщенні приладу зростає небезпека поранення у випадку спотикання, ковзання тощо.

Будьте особливо пильні, повертаючи прилад або підтягаючи його до себе.

Не спіткніться!

Не піднімайте та не переносьте прилад, якщо працює електродвигун або підключено мережевий кабель.

Розміщені в луговому дерені об'єкти (оприскувачі для газонів, стовпці, водяні крани, фундаменти, електропроводку тощо) слід оминати. Ніколи не переїжджайте такі сторонні об'єкти.

З особливою обережністю використовуйте прилад під час роботи на схилах і краях ділянки, поблизу ям і дамб. Особливо стежте за тим, щоб не надто наблизитися до цих небезпечних місць.

Якщо тип ножа або прилад наштотхнулися на якусь перешкоду або сторонній предмет, вимкніть електродвигун, від'єднайте від мережі й ретельно огляньте прилад.



Обережно! Тип ножа продовжує обертатись протягом декількох секунд після вимкнення приладу.

Електродвигун слід вимикати в таких випадках:

- якщо під час транспортування прилад потрібно перевезти через будь-яку іншу поверхню, крім трави;
- під час транспортування приладу до площі косіння й назад;
- перш ніж знімати кошик для трави;
- перед регулюванням висоти скошування.



Вимкніть електродвигун, витягніть мережевий штекер із розетки та переконайтеся, що ріжучий інструмент

повністю зупинився, в описаних нижче випадках:

- Перед усуненням блокування чи засмічення викидного отвору.
 - Якщо ріжучий інструмент зіткнувся зі стороннім предметом. Необхідно перевірити ріжучий інструмент на наявність пошкоджень. Заборонено користуватися приладом із пошкодженим або погнутим ножовим валом чи валом електродвигуна.
- #### **Небезпека поранення несправними частинами!**
- Перш ніж перевіряти, чистити прилад або виконувати інші роботи на ньому (наприклад, налаштовувати висоту скошування, розкласти чи скласти ручку керування).
 - Перш ніж залишити прилад без нагляду.
 - Перш ніж піднімати чи переносити прилад.
 - Перед транспортуванням.
 - Якщо прилад наштотхнувся на сторонній предмет або почав сильно вібрувати. У цьому разі перевірте прилад, особливо ріжучий блок (ніж, ножовий вал, кріплення ножа), на наявність пошкоджень. Перш ніж знову запустити прилад і почати роботу, зверніться до фахівців для проведення необхідного ремонту.



Небезпека травмування!

Зазвичай сильне вібрування свідчить про несправність. Не експлуатуйте прилад із пошкодженим або погнутиим ножовим валом чи ножом газонокосарки.

Якщо ви не володієте потрібними знаннями, необхідний ремонт має провести спеціаліст. Компанія STIHL рекомендує скористатися послугами фахівців сервісної служби STIHL.

Коливання напруги, спричинені приладом під час розгону, за несприятливого стану мережі можуть призвести до збоїв у роботі інших приладів, підключених до того самого електричного кола. У такому випадку потрібно вжити відповідних заходів (наприклад, підключити прилад до іншого електричного кола або до кола з нижчим значенням повного опору).

4.7 Технічне обслуговування, чищення, ремонт і зберігання



Перед виконанням на приладі будь-яких робіт, його регулюванням, чищенням і перевіркою з'єднувального кабелю на наявність пошкоджень або вузлів вимкніть прилад і від'єднайте мережевий штекер.

Перед технічним обслуговуванням, чищенням приладу або його розміщенням для зберігання в закритих приміщеннях дайте приладу повністю охолонути.

Чищення

Уважно чистьте увесь прилад після застосування. (⇒ 11.2)

Залишки трави зніміть за допомогою дерев'яної палички. Чистьте нижню частину газонокосарки за допомогою щітки з водою.

Для чищення приладу не використовуйте системи з високим тиском води та не мийте прилад під струменем води (наприклад, із садового шлангу). Не використовуйте активні очисні засоби. Вони можуть пошкодити пластик і метал, а відтак можуть завадити безпечній роботі приладу STIHL.

Щоб зменшити ризик пожежі, слідкуйте за тим, щоб у зону охолоджувальних отворів між капотом електродвигуна та корпусом не потрапляли трава, солома, мох, листя чи жир.

Технічне обслуговування

Дозволяється виконувати лише такі роботи з технічного обслуговування, про які йдеться в посібнику з експлуатації. Усі інші роботи повинні проводити тільки працівники сервісних центрів.

Якщо Вам не вистачає необхідної інформації та допоміжних засобів, це все **завжди** можна отримати у працівника сервісного центру. Для технічного обслуговування та ремонту приладів компанія STIHL рекомендує звертатися до офіційного дилера STIHL.

Спеціалісти офіційних дилерських центрів STIHL регулярно проходять навчання та отримують технічний інструктаж.

Застосовуйте лише інструменти, приладдя чи навісні пристрої, допущені компанією STIHL до використання із цим приладом. Інакше існує загроза

нешасних випадків, які можуть призвести до поранень і пошкодження приладу. Якщо у Вас виникли запитання, обов'язково зверніться до офіційного дилера.

Оригінальні інструменти, навісне приладдя та запасні частини STIHL за своїми властивостями оптимально підходять для приладу та вимог користувача. Оригінальні запчастини STIHL можна визначити за номером запчастини, написом STIHL і маркуванням на запчастині компанії STIHL (за потреби). На запчастині малого розміру може бути присутній лише знак маркування.

Підтримуйте попереджувальні та вказівні наклейки чистими, щоб їх можна було прочитати. Пошкоджені або загублені наклейки слід замінювати новими оригінальними наклейками, які можна придбати у офіційного дилера STIHL. Якщо деталь потрібно замінити на нову, зверніть увагу, щоб нова деталь мала аналогічну наклейку.

Роботи з ножом газонокосарки можна проводити лише у цупких робочих рукавицях та з надзвичайною обережністю.

Для підтримання приладу в робочому стані міцно закручуйте всі гайки, болти та гвинти, особливо гвинт кріплення ножа.

Регулярно перевіряйте весь прилад і кошик для трави, особливо перед зберіганням (наприклад, зимовим періодом), на наявність зносу та пошкоджень. З огляду на техніку безпеки відразу міняйте зношені чи пошкоджені деталі, щоб пристрій завжди був у надійному робочому стані.

Зняті для проведення технічного обслуговування конструктивні елементи й захисні механізми необхідно негайно встановити відповідно до чинних вимог.

Потрібно регулярно перевіряти, чи надійно встановлено ніж газонокосарки та чи не має він ознак пошкодження або зносу.

4.8 Зберігання при довгих перервах у роботі

Коли прилад охолоне, його слід зберігати в сухому закритому приміщенні.

Переконайтеся щодо захищеності приладу від некомпетентних осіб (наприклад, дітей).

Дбайливо очистьте прилад перед збереженням (наприклад, зимова пауза).

Зберігайте прилад у технічно безпечному стані.

4.9 Утилізація

Подбайте про відповідну утилізацію приладу, термін експлуатації якого минув. Перед утилізацією розберіть прилад. Щоб уникнути нещасних випадків, насамперед слід від'єднати мережевий кабель і кабель електродвигуна.

Небезпека травмування типом ножа!

Ніколи не залишайте несправний прилад без нагляду. Подбайте про те, щоб прилад, а особливо тип ножа, не знайшли діти.

5. Опис позначень



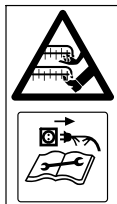
Увага!

Перед введенням пристрою в експлуатацію прочитайте посібник з експлуатації та дотримуйтеся правил техніки безпеки.



Небезпека травмування!

Не допускайте сторонніх осіб у небезпечну зону.



Небезпека травмування!

Не наближайте руки та ноги до ножів. Поводьтесь обережно з гострим ножом газонокосарки. Ніж газонокосарки продовжує обертатися протягом кількох секунд після вимкнення (гальмування двигуна/ножа). Перед маніпуляціями з ріжучим інструментом, технічним обслуговуванням і чищенням, перед перевіркою з'єднувального кабелю (на пошкодження та вузли), а також залишаючи прилад без нагляду, необхідно вимкнути двигун і витягти мережевий штекер.



Небезпека ураження електричним струмом!

З'єднувальний кабель має перебувати на безпечній відстані від ріжучого інструмента.



Не працюйте під дощем й у вологій місцевості.



Увімкніть електродвигун.

6. Підготовка приладу експлуатації

6.1 Збирання косарки



Небезпека травмування

Дотримуйтеся відповідних правил, наведених у розділі «Техніка безпеки». (⇒ 4.)

- Збирайте прилад на рівній і міцній горизонтальній поверхні. Перед монтажем перевірте комплект постачання.



- Зберіть кошик для трави та встановіть нижню частину ручки керування (D), дотримуючись належного моменту затягування.



- На потрібній висоті розмістіть і утримуйте верхню частину ручки керування на нижній частині ручки керування. (⇒ 7.3)

- Установіть верхню частину ручки керування. Як показано на малюнку, прокладіть кабель крізь кабельний блок (J) і закріпіть його затискачами (K) на ручці керування.
- Навісьте кошик для трави. (⇒ 7.1)



7. Пристрої керування

7.1 Кошик для трави

Навішування

- Відкрийте й тримайте клапан викидача (1).
- Щоб навісити кошик для трави (2), вставте фіксатори в заглиблення (3) на задній стороні приладу.
- Закрийте клапан викидача (1).

Знімання

- Відкрийте й тримайте клапан викидача (1).
- Підніміть кошик для трави (2) і зніміть його в напрямку назад.
- Закрийте клапан викидача (1).

7.2 Індикатор рівня заповнення

Потік повітря, створюваний ножем, піднімає індикатор рівня заповнення (1). Якщо кошик для трави заповнено, потік повітря припиняється. Якщо потік повітря замалий, індикатор рівня заповнення (1) повертається в стан простоювання. Це вказує на необхідність спорожнити кошик для трави.



Нормальне функціонування індикатора рівня заповнення можливе лише в разі оптимального потоку повітря. Зовнішні фактори, такі як волога, густа чи висока трава, низькі рівні висоти скошування, забруднення тощо, можуть вплинути на потік повітря та функціонування індикатора рівня заповнення.

A Кошик для трави заповнюється

B Кошик для трави заповнено

- Спорожніть наповнений кошик для трави (⇒ 10.5).

7.3 Ручка керування



Небезпека защемлення!

Коли барашкові гвинти ослаблено, верхня частина ручки керування може скластися. Тому під час відкручування барашкових гвинтів тримайте рукою верхню частину ручки керування (2) в найвищому положенні.

I Складання верхньої частини ручки керування

Положення для транспортування (для компактного транспортування та зберігання).

- Барашкові гвинти (1) відкрутіть так, щоб вони могли вільно рухатися та щоб верхню частину ручки керування (2) можна було скласти вперед. При цьому слідкуйте, щоб не пошкодити електрокабель.

Робоча позиція (для переміщення приладу).

- Верхню частину ручки керування (2) відкиньте назад і притримуйте рукою.

- Закрутіть барашкові гвинти (1).

2 Налаштування висоти

Верхню частину ручки керування можна зафіксувати у 2 положеннях висоти.

- Ослабте барашкові гвинти (1) і вийміть гвинти (3).
- Розташуйте верхню частину ручки керування (2) на потрібній висоті: свердловина **A** – верхнє положення; свердловина **B** – нижнє положення.
- Вставте гвинти (3) у свердловини на нижній і верхній частинах ручки керування та закрутіть барашкові гвинти (1).

7.4 Центральний механізм регулювання висоти скошування



Можна встановити **п'ять** різних положень висоти скошування.

Значення 1:

найменша висота скошування (25 мм)

Значення 5:

найбільша висота скошування (65 мм)

Регулювання висоти скошування

- Натисніть назовні й утримуйте важіль фіксування (1).
- Відрегулюйте бажану висоту скошування, рухаючи прилад угору чи вниз.
- Відпустіть важіль фіксування (1) і закріпіть його.

8. Вказівки щодо роботи

8.1 Загальні відомості



Небезпека травмування!

Негайно розплутайте кабель, якщо він заплутався.

Під час косіння з'єднувальний кабель має проходити позаду вас. З'єднувальний кабель можна випадково розрізати під час косіння або спіткнутися об нього. Це створює високий ризик нещасних випадків. Косити слід таким чином, щоб з'єднувальний кабель завжди проходив по скошеній ділянці та був видимий.

Щоб трава на газоні була гарною та густою, косить її часто, не допускаючи відростання.

У гарячому й сухому кліматі не скошуйте газон надто коротко, бо сонце випалить траву й зробить газон непривабливим.

Гострота ножа безпосередньо впливає на малюнок на газоні, тому ніж слід регулярно заточувати. Для цього зверніться до офіційного дилера STIHL.

8.2 Припустиме навантаження електродвигуна

Не вмикайте газонокосарку у високій траві та коли встановлено найменшу висоту скошування.

Завантажуйте газонокосарку так, щоб не викликати значного зниження кількості обертів електродвигуна.

У випадку зменшення швидкості обертання двигуна встановіть більшу висоту скошування та/або знизьте швидкість переміщення.

8.3 Якщо ніж газонокосарки блокується

Негайно вимкніть електродвигун і витягніть мережевий штекер. Далі усуньте причину несправності.

8.4 Термозахист електродвигуна від перенавантаження

У випадку перенавантаження автоматично спрацьовує вбудований механізм термозахисту від перенавантаження, електродвигун вимикається.

Причини перенавантаження:

- трава зависока, або встановлено замалу висоту скошування;
- зависока швидкість переміщення;
- засмічення вентиляційної решітки (отворів для всмоктування повітря);
- ніж газонокосарки тупий або зношений;
- невідповідний або задовгий з'єднувальний кабель – спад напруги (⇒ 10.1).

Повторний запуск

Після фази охолодження тривалістю приблизно 20 хв. (залежно від температури навколишнього середовища) повторно запустіть прилад; він повернеться у звичайний режим експлуатації (⇒ 10.).

8.5 Робоча зона користувача



- З міркувань безпеки під час роботи електромотора користувач повинен завжди перебувати в робочій зоні позаду ручки керування. Завжди дотримуйтеся безпечної відстані, заданої рукою керування.
- газонокосаркою повинна керувати лише одна особа. Сторонніх осіб не можна допускати в небезпечну зону. (⇒ 4.)

9. Захисні механізми

Прилад оснащено багатьма запобіжними механізмами для безпечного користування та захисту від неправильного використання.



Небезпека травмування!

Якщо виявлено несправність запобіжного механізму, приладом користуватися не можна. Зверніться до офіційного дилера. Компанія STIHL рекомендує звертатися до офіційного дилера STIHL.

9.1 Захисні механізми

Газонокосарка оснащена захисними механізмами, які запобігають невідповідному контакту з ножем газонокосарки та скошеною травою, яка викидається.

До них належать корпус, клапан викидача, кошик для трави й правильно встановлена ручка керування.

9.2 Обслуговування двома руками

Електродвигун можна ввімкнути тільки тоді, коли права рука натискає та утримує кнопку ввімкнення, а ліва притискає ручку зупинки двигуна до ручки керування.

9.3 Механізм гальмування електродвигуна

Після відпускання ручки зупинки двигуна ніж газонокосарки зупиниться менш ніж через 3 секунди.

Вбудований механізм гальмування електродвигуна скорочує час гальмування ножів.



Після ввімкнення електродвигуна ніж починає обертатися й виникає шум від повітряного потоку. Робота за інерцією триває, доки чути шум повітряного потоку після вимкнення електродвигуна. Час роботи за інерцією можна виміряти за допомогою секундоміра.

10. Введення приладу в експлуатацію

10.1 Підключення приладу до електромережі



Небезпека ураження електричним струмом!

Дотримуйтеся відповідних правил, наведених у розділі «Техніка безпеки» (⇒ 4.2).

Користуючись кабельним барабаном, пильнуйте, щоб з'єднувальний кабель був повністю розмотаний, інакше можлива втрата потужності й перегрів двигуна через високий електричний опір.

Дозволено використовувати лише з'єднувальні кабелі, вага яких не менша ваги кабелю в гумовій трубіці **H07 RN-F DIN/VDE 0282**.

Мінімальна площа поперечного розрізу:

за довжини до 25 м: 3 x 1,5 мм²
за довжини до 50 м: 3 x 2,5 мм²

Муфти на з'єднувальному кабелі мають бути виготовлені з гуми або мати гумове покриття та відповідати стандарту **DIN/VDE 0620**.

Напруга та частота мережі мають збігатися з даними, указаними на заводській табличці або в розділі «Технічні дані» (⇒ 17.).

З'єднувальний мережевий кабель слід захистити запобіжником достатнього номіналу (⇒ 17.).

Цей прилад призначено для експлуатації в мережі з повним опором системи $Z_{\text{макс}}$ у пункті розподілу (будинкового відгалуження) з максимальним значенням **0,49 Ом** (при 50 Гц).

Користувач повинен забезпечити експлуатацію приладу лише за наявності електричної мережі, яка відповідає вказаним умовам. За потреби повний опір системи можна з'ясувати в місцевій службі електропостачання.

10.2 Фіксатор для зменшення зусилля розтягу



Під час роботи фіксатор для зменшення зусилля розтягу запобігає випадковому висмикуванню з'єднувального кабелю та можливого пошкодженню елементів підключення приладу до електромережі.

Тому з'єднувальний кабель слід прокладати через цей фіксатор.

- Згорніть з'єднувальний кабель (1) у петлю та протягніть її крізь отвір (2).
- Накиньте петлю на гачок (3) і зафіксуйте.

10.3 Увімкнення газонокосарки



Не запускайте електродвигун у високій траві та коли встановлено найменшу висоту скошування: це створює додаткові труднощі під час запуску.

- Натисніть і утримайте кнопку ввімкнення (1). Ручку зупинки двигуна (2) підтягніть до ручки керування та тримайте.
- Кнопку ввімкнення (1) можна відпустити після переміщення ручки зупинки двигуна (2).

10.4 Вимкнення газонокосарки



- Відпустіть ручку зупинки двигуна (1). Електродвигун і ножі газонокосарки повністю зупиняться за короткий час гальмування.

10.5 Спорожнення кошика для трави



Небезпека травмування!

З міркувань безпеки перед зніманням кошика для трави необхідно зупинити електродвигун.

- Зніміть кошик для трави. (⇒ 7.1)
- Відкрийте кошик для трави за допомогою язичка (1). Відкрийте й утримуйте Кришку кошика для трави (2). Переверніть кошик для трави та викиньте скошену траву.
- Закрийте кошик для трави.
- Навісьте кошик для трави. (⇒ 7.1)

11. Обслуговування

11.1 Загальні відомості



Небезпека травмування!

Дотримуйтеся відповідних правил, наведених у розділі «Техніка безпеки» (⇒ 4.).

Щорічне технічне обслуговування у офіційного дилера

Один раз на рік газонокосарку повинен перевіряти спеціаліст. Компанія STIHL рекомендує звертатися до офіційного дилера STIHL.

11.2 Чищення приладу



Інтервал технічного обслуговування: після кожного використання

- Установіть косарку на рівній і твердій горизонтальній поверхні.
- Зніміть кошик для трави. (⇒ 7.1)
- Для чищення нижньої частини косарки (1) переверніть її на бік.
- Для чищення приладу використовуйте лише воду й щітку або ганчірку. Залишки трави зніміть за допомогою дерев'яної палички. За потреби використовуйте спеціальний засіб для чищення (наприклад, марки STIHL).
- Заборонено мити вимикачі, компоненти двигуна, прокладки та підшипники струменем води під тиском.

11.3 Електричний двигун і колеса

Двигун не потребує технічного обслуговування.

Підшипники коліс не потребують технічного обслуговування.

11.4 Верхня частина ручки керування

Інтервал технічного обслуговування: перед кожним використанням

Перевірте верхню частину ручки керування на наявність пошкоджень – вона вкрита ізоляцією. У випадку її пошкодження не користуйтеся косаркою, доки не заміните верхню частину ручки керування.

11.5 Догляд за ножем косарки




Інтервал технічного обслуговування: перед кожним використанням



Небезпека травмування!

Перед кожним використанням переконайтеся, що ніж не пошкоджений. Ніж необхідно замінити, якщо є видимі щербини, тріщини, коли досягнуто чи перевищено межі зносу.

- Переверніть косарку на бік. (⇒ 11.2)
- Почистьте ніж косарки (1) та перевірте на наявність пошкоджень (щербин або тріщин) і зносу; якщо необхідно, замінить.

- Перевірте **товщину ножа**  у кількох місцях за допомогою штангенциркуля. Особливо важливо виміряти товщину біля крильця ножа. > 1,6 мм
- Прикладіть лінійку (2) до переднього краю ножа та виміряйте **заднє лезо**. < 5 мм

11.6 Монтаж і демонтаж ножа косарки



Небезпека травмування!

Щоб не поранитися під час виконання будь-яких робіт із ножем, одягайте захисні рукавички.

- Для виконання робіт із ножем переверніть косарку на бік. (⇒ 11.2)

Демонтаж

- Тримайте ніж косарки (1) однією рукою.
- Викрутіть гвинт кріплення ножа (2) та зніміть його разом із поводком (3) і ножем косарки (1).

2 Монтаж



Небезпека травмування!

Перед монтажем перевірте стан ножа (наявність пошкоджень, зносу); за потреби замініть його. (⇒ 11.5)

Ніж косарки можна встановлювати лише так, як показано на малюнку, тобто повернувши його відігнутими крильцями вгору (у напрямку до приладу). Точно дотримуйтеся вказаного моменту затягування гвинта кріплення ножа. Це необхідно для надійної фіксації ріжучого інструмента. Для додаткової фіксації гвинта кріплення ножа використовуйте засіб **Loctite 243**.

Гвинт кріплення ножа та поводок замінійте щоразу, коли замінюєте ніж.

- Почистьте поверхню прилягання ножа, його втулку та поводок.
- Монтуйте ніж косарки (1) на втулку ножа, спрямувавши відігнуті крильця вгору. Вставте напрямні штифти (4) втулки ножа в пази ножа косарки.
- Тримайте ніж косарки (1) однією рукою та встановіть поводок (3).
- Закрутіть гвинт кріплення ножа (2) і затягніть його.
Момент затягування гвинта кріплення ножа:
15 - 20 нм

11.7 Заточування ножа косарки

Компанія STIHL рекомендує для заточування ножа косарки звернутися до спеціаліста. Неправильно заточений

ніж (неправильний кут заточування, нерівномірність тощо) погіршує роботу приладу.

Поради щодо заточування

- Зніміть ніж косарки. (⇒ 11.6)
- Під час заточування охолоджуйте ніж косарки (наприклад, водою). Не слід допускати, щоб поверхня ножа набула синюватого кольору, оскільки це скоротить термін його служби.
- Щоб запобігти вібрації через дисбаланс, заточуйте ножі рівномірно.
- Кут заточування має становити 30°.
- За потреби відшліфуйте ріжучі краї дрібнозернистим шліфувальним папером.

11.8 Зберігання (зимовий період)

Прилад слід зберігати в сухому закритому приміщенні з малим вмістом пилу. Переконайтеся, що до приладу не матимуть доступу діти.

Зберігайте газонокосарку лише в надійному робочому стані, за потреби складіть ручку керування.

Усі гайки, болти та гвинти мають бути затягнуті. Замініть попереджувальні написи на приладі, які стерлись, перевірте всю машину на наявність зносу та пошкоджень. Замініть зношені й пошкоджені деталі.

Готуючи прилад до зберігання, слід усунути можливі несправності.

Ставлячи газонокосарку на тривале зберігання (зимовий період), дотримуйтеся наведених нижче правил.

- Старанно почистьте всі зовнішні деталі приладу.
- Добре змажте рухомі компоненти приладу мастилом або жиром.

12. Транспортування

12.1 Транспортування



Небезпека травмування!

Під час транспортування дотримуйтеся правил, наведених у розділі «Техніка безпеки».
(⇒ 4.)

Для транспортування завжди одягайте відповідний захисний одяг (захисне взуття, міцні рукавиці).

Перед підніманням і транспортуванням обов'язково від'єднайте мережевий кабель.

Перенесення приладу

- Переносьте косарку, узявшись однією рукою за ручку для транспортування (1), а другою – за корпус (2). Завжди витримуйте достатню дистанцію від ножів косарки до тіла, зокрема ступнів і ніг.

Інший варіант

- Переносьте косарку однією рукою за ручку для транспортування (1).

Закріплення приладу

- Закріпіть косарку та кошик для трави на вантажній платформі відповідними кріпильними засобами.
- Закріпіть канат або ремінь на ручці для транспортування (1) та нижній частині ручки керування (3).

13. Зведення зносу до мінімуму та запобігання пошкодженням

Важлива інформація про догляд і технічне обслуговування для продукції типу

ручна газонокосарка з живленням від мережі (STIHL RME)

Компанія STIHL не несе відповідальності за травмування людей і пошкодження майна, спричинені недотриманням наведених у посібнику з експлуатації вимог, у першу чергу інструкцій з експлуатації та обслуговування, а також правил техніки безпеки, або застосування недозволеного навісного обладнання і запасних частин.

Обов'язково дотримуйтеся наведених нижче інструкцій, щоб запобігти пошкодженням і надмірному зносу вашого приладу STIHL.

1. Швидкозношувані деталі

Окремі деталі приладів STIHL навіть за умови належної експлуатації зношуються. Їх, залежно від тривалості та способу використання, потрібно своєчасно замінювати.

Зокрема, до них належать :

- ножі.

2. Дотримання вимог, наведених у цьому посібнику з експлуатації

Під час експлуатації, технічного обслуговування та зберігання приладів STIHL необхідно ретельно виконувати наведені в цьому посібнику вказівки. Відповідальність за всі пошкодження, які виникли в результаті недотримання

інструкцій із техніки безпеки, експлуатації та техобслуговування, несе користувач.

Насамперед ідеться про:

- використання недостатнього (за площею поперечного перерізу) кабелю живлення;
- неправильне підключення до мережі (з невідповідною напругою);
- недозволені компанією STIHL зміни в конструкції приладу;
- використання недозволеного, невідповідного або неякісного інструменту та приладдя;
- використання приладу не за призначенням;
- використання приладу у спортивних заходах та інших змаганнях;
- пошкодження приладу в результаті експлуатації з дефектними компонентами.

3. Технічне обслуговування

Усі роботи, перелічені в розділі «Обслуговування», потрібно виконувати регулярно.

Якщо користувач не в змозі виконати необхідні роботи самостійно, йому слід звернутися до офіційного дилера.

Для технічного обслуговування та ремонту приладів компанія STIHL рекомендує звертатися до офіційного дилера STIHL.

Спеціалісти офіційних дилерських центрів STIHL регулярно проходять навчання та отримують технічний інструктаж.

У випадку невиконання робіт із техобслуговування можливі пошкодження приладу, відповідальність за які несе користувач.

Зокрема, йдеться про такі пошкодження:

- пошкодження електродвигуна в результаті засмічення вентиляційних прорізів (отворів для всмоктування повітря);
- корозія та інші пошкодження в результаті неправильного зберігання;
- пошкодження приладу через використання неякісних запчастин;
- пошкодження внаслідок несвоєчасного/недостатнього техобслуговування або виконання ремонту чи техобслуговування не в майстерні спеціалізованого сервісного центру.

14. Захист довкілля



Скошену газонну траву слід не викидати на сміття, а використовувати для удобрення компостом.

Упаковку, прилад і додаткове приладдя виготовлено з матеріалів, які підлягають переробці; їх слід належно утилізувати.

Екологічно правильна роздільна утилізація сприяє повторному використанню вторсировини. Тому, коли мине термін служби приладу, здайте його в пункт прийому вторсировини. Під час утилізації дотримуйтеся вказівок, наведених у розділі «Утилізація». (⇒ 4.9)

Зверніться до центру утилізації або сервісного центру, щоб дізнатися, як правильно утилізувати відходи.

15. Замінювані запчастини

Ніж косарки:
6311 702 0100

Гвинт кріплення ножа:
9018 321 1800

Поводок:
6311 702 0600



Гвинт кріплення ножа та поводок потрібно замінити щоразу під час заміни ножа. Запасні частини можна придбати в офіційного дилера STIHL.

16. Декларація виробника про відповідність

16.1 Декларація виробника про відповідність газонокосарки STIHL RME 235.0

STIHL Tirol GmbH
Hans Peter Stihl-Straße 5
6336 Langkampfen (Лангкампфен)
Австрія

заявляє під власну відповідальність, що

- Тип конструкції: електрична газонокосарка
- Марка: STIHL
- Тип: RME 235.0
- Ширина скошування: 33 см
- Серійний ідентифікатор: 6311

відповідає релевантним положенням Директив 2006/42/EC, 2000/14/EC, 2014/30/EU і 2011/65/EU, було розроблено та виготовлено відповідно до версій зазначених нижче стандартів, чинних на дату виробництва: EN 60335-1, EN 60335-2-77, EN 55014-1, EN 55014-2, EN 61000-3-2 та EN 61000-3-3.

Партнерська організація:
TÜV Rheinland LGA Products GmbH
Tillystraße 2
90431 (Нюрнберг, Німеччина)

Вимірний і гарантований рівень звукової потужності було визначено відповідно до Директиви 2000/14/EC, Додаток VIII.

- Вимірний рівень звукової потужності: 92,1 дБ(А)
- Гарантований рівень звукової потужності: 93 дБ(А)

Технічна документація зберігається в компанії STIHL Tirol GmbH.

Рік випуску та серійний номер вказано на газонокосарці.

Лангкампфен, 29.04.2021

STIHL Tirol GmbH

в. о.

Матіас Фляйшер, керівник відділу досліджень і розробки



Свен Цімерман, керівник відділу якості

16.2 Знак відповідності



Інформація щодо сертифікатів та заяв про відповідність вимогам ЕАС, які підтверджують виконання технічних Директив та вимог Митного Союзу є на сайтах www.stihl.ru/eac або її можна замовити по телефону у відповідному національному представництві STIHL.



Технічні Директиви та вимоги України виконуються.

16.3 Встановлена тривалість використання

Повна встановлена тривалість використання становить до 30 років.

Встановлена тривалість використання передбачає регулярне технічне обслуговування та догляд відповідно до вимог інструкції з використання.

16.4 Штаб-квартира STIHL

ANDREAS STIHL AG & Co. KG
Badstrasse 115
71336 Waiblingen
Німеччина

16.5 Дочірні компанії STIHL

РОСІЙСЬКА ФЕДЕРАЦІЯ

ООО «АНДРЕАС ШТИЛЬ МАРКЕТИНГ»
вул. Тамбовська, буд. 12, літ. В, офіс 52
192007 Санкт-Петербург, Росія
Гаряча лінія: +7 800 4444 180
E-mail: info@stihl.ru

УКРАЇНА

ТОВ «Андреас Штіль»
вул. Антонова 10, с. Чайки
08135 Київська обл., Україна
Телефон: +38 044 393-35-30
Факс: +380 044 393-35-70
E-mail: info@stihl.ua
www.stihl.ua
Гаряча лінія: +38 0800 501 930

16.6 Представники STIHL

БІЛАРУСЬ

Представництво
ANDREAS STIHL AG & Co. KG
вул. К. Цеткін, 51-11а
220004 Мінськ, Білорусь
Гаряча лінія: +375 17 200 23 76

КАЗАХСТАН

Представництво
ANDREAS STIHL AG & Co. KG
вул. Шагабутдінова, 125А, оф. 2
050026 Алмати, Казахстан
Гаряча лінія: +7 727 225 55 17

16.7 Імпортери STIHL

РОСІЙСЬКА ФЕДЕРАЦІЯ

ООО "ШТИЛЬ ЗЮДВЕСТ"
350000, Российская Федерация,
г. Краснодар, ул. Западный обход, д.
36/1

ООО "ФЛАГМАН"

194292, Российская Федерация,
г. Санкт-Петербург, 3-ий Верхний
переулок, д. 16 литер А, помещение 38

ООО "ПРОГРЕСС"

107113, Российская Федерация,
г. Москва, ул. Маленковская, д. 32, стр.
2

ООО "АРНАУ"

236006, Российская Федерация,
г. Калининград, Московский проспект, д.
253, офис 4

ООО "ИНКОР"

610030, Российская Федерация,
г. Киров, ул. Павла Корчагина, д. 1Б

ООО "ОПТИМА"

620030, Российская Федерация,
г. Екатеринбург, ул. Карьерная д. 2,
Помещение 1

ООО "ТЕХНОТОРГ"

660112, Российская Федерация,
г. Красноярск, ул. Парашютная, д. 15

ООО "ЛЕСОТЕХНИКА"
664540, Российская Федерация,
с. Хомутово, ул. Чапаева, д. 1, оф. 39

УКРАЇНА

ТОВ «Андреас Штіль»
вул. Антонова 10, с. Чайки
08135 Київська обл., Україна

БІЛОРУСЬ

ООО «ПИЛАКОС»
ул. Тимирязева 121/4 офіс 6
220020 Минск, Беларусь

УП «Беллесэкспорт»
ул. Скрыганова 6.403
220073 Минск, Беларусь

КАЗАХСТАН

ИП «ВОРОНИНА Д.И.»
пр. Райымбека 312
050005 Алматы, Казахстан

КИРГИЗСТАН

ОсОО «Муза»
ул. Киевская 107
720001 Бишкек, Киргизия

ВІРМЕНІЯ

ООО «ЮНИТУЛЗ»
ул. Г. Парпеци 22
0002 Ереван, Армения

17. Технічні характеристики

Тип	RME 235.0
Серійний ідентифікатор	6311
Двигун, тип конструкції	Електродвигун
Тип двигуна	Універсальний двигун змінного струму
Напруга	230 В~
Споживана потужність	1200 Вт
Частота	50 Гц
Запобіжник	5 А
Клас захисту	II
Тип захисту	IPX 4
Ріжучий пристрій	Ножова траверса
Ширина скошування	33 см
Частота обертання ріжучого пристрою	3200 об/хв
Відповідно до стандарту 2000/14/EC / S.I. 2001/1701:	
Гарантований рівень звукової потужності, L_{WA}	93 дБ(А)
Похибка K_{WA}	0,8 дБ(А)
Вимірювання відповідно до стандарту EN 60335-2-77:	
Рівень гучності на робочому місці, L_{pA}	80 дБ(А)
Похибка, K_{pA}	2 дБ(А)
Привод ножової траверси	постійний

Тип	RME 235.0
Момент затягування гвинта кріплення ножа	15 - 20 Н·м
Діаметр переднього колеса	140 мм
Діаметр заднього колеса	170 мм
Об'єм кошика для трави	30 л
Висота скошування	25 - 65 мм
Параметри вібрації вказано відповідно до стандарту EN 12096:	
Вимірне значення a_{hw}	1,40 м/с ²
Похибка, K_{hw}	0,70 м/с ²
Вимірювання відповідно до стандарту EN 20643, EN 60335-2-77	
Довжина	127 см
Ширина	37 см
Висота	108 см
Вага	13 кг
	14 кг (Велика Британія)

17.1 REACH

REACH – це постанова ЄС про реєстрацію, оцінювання та допускання хімічних речовин.

Для отримання інформації про виконання постанови REACH (EG) № 1907/2006 перейдіть на веб-сторінку www.stihl.com/reach

18. Усунення несправностей

- ✘ Якщо вам потрібна кваліфікована допомога, рекомендуємо звернутися до офіційного дилера STIHL.

Несправність

Не запускається електродвигун.

Можлива причина

- Немає напруги в мережі.
- Пошкоджено з'єднувальний кабель/вилку, штепсельну муфту або вимикач.
- Не натиснуто пускову кнопку.
- Електродвигун перевантажено через косіння зависокої або вогкої трави.
- Спрацював запобіжний вимикач електродвигуна.
- Забився корпус газонокосарки.
- Пошкоджений запобіжник у штекері (версія GB).

Усунення

- Перевірте запобіжник (⇒ 10.1).
- Перевірте й за потреби замініть кабель, вилку або вимикач (⇒ 10.1).
- Натисніть пускову кнопку (⇒ 10.3).
- Не запускайте електродвигун у високій траві, відрегулюйте висоту скошування (⇒ 7.4).
- Зачекайте, доки прилад охолоне (⇒ 8.4).
- Почистьте корпус газонокосарки (⇒ 11.2).
- Замініть запобіжник у штекері (✘).

Несправність

Часто спрацьовує мережевий запобіжник.

Можлива причина

- Неправильно підібраний з'єднувальний кабель.
- Перенавантаження мережі.
- Трава занадто висока або занадто вогка.

Усунення

- Виберіть відповідний з'єднувальний кабель (⇒ 10.1)
- Підключіть прилад до іншого електричного кола
- Відкоригуйте висоти скошування та швидкість руху відповідно до умов косіння (⇒ 7.4)

Несправність

Прилад сильно вібрає під час роботи.

Можлива причина

- Ослаб гвинт кріплення ножа.
- Ніж не збалансований.

Усунення

- Затягніть гвинт кріплення ножа (⇒ 11.6)
- Наточіть (збалансуйте) або замініть ніж (⇒ 11.7)

Несправність

Неохайний зріз, газон після скошування жовкне.

Можлива причина

- Ніж газонокосарки тупий або зношений.
- Швидкість руху зavelика для встановленої висоту скошування.

Усунення

- Наточіть або замініть ніж газонокосарки (⇒ 11.7)

- Зменште швидкість руху та/або відрегулюйте висоту скошування (⇒ 7.4)

Несправність

Електродвигун важко запускається, або його потужність через деякий час зменшується.

Можлива причина

- Трава зависока або надто мокра для косіння.
- Забився корпус газонокосарки.

Усунення

- Відкоригуйте висоту скошування та швидкість руху відповідно до умов косіння (⇒ 7.4).
- Прочистьте корпус газонокосарки (попередньо витягнувши мережевий штекер) (⇒ 11.2).

Несправність

Забився викидний отвір.

Можлива причина

- Зносився ніж газонокосарки.
- Трава зависока або надто мокра для косіння.

Усунення

- Замініть ніж (⇒ 11.7)
- Відкоригуйте висоту скошування та швидкість руху відповідно до умов косіння (⇒ 7.4)

19. План технічного обслуговування

19.1 Підтвердження передачі

Модель: _____

Серійний номер:
□ □ □ □ □ □ □ □ □ □

Дата: □ □ □ □ □ □ □ □ □ □



A line drawing of a rectangular stamp with a rounded top and a small knob on top.


Наступне обслуговування


Дата: □ □ □ □ □ □ □ □ □ □

19.2 Підтвердження про надання технічного обслуговування



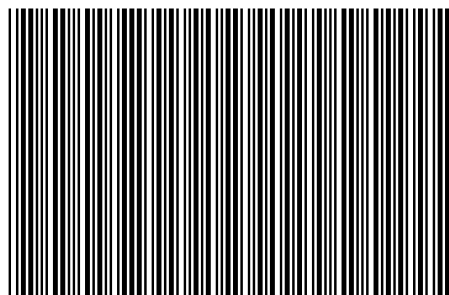
Під час технічного обслуговування надайте цей посібник з експлуатації офіційному дилеру STIHL. На заздалегідь надрукованих полях він зробить запис про проведення технічного обслуговування.

 Дата проведення обслуговування

 Дата проведення наступного обслуговування

STIHL RME 235

STIHL



0478 121 9804 B

B

INT 2