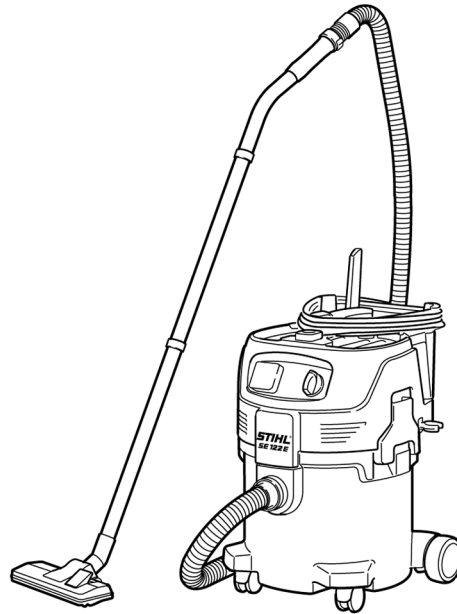
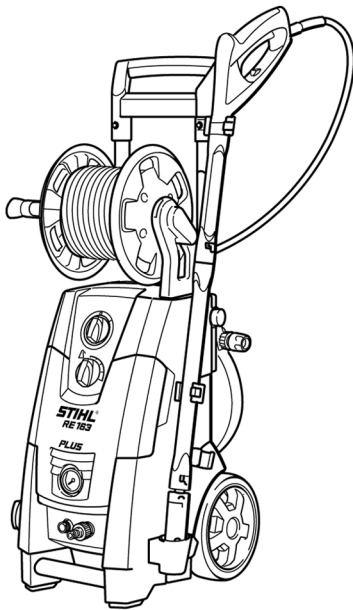


Cleaning Systems Safety Manual

Instruction Manual



Contents

Safety Precautions and Working Techniques	2
Safety Precautions and Working Techniques	6
Safety Precautions and Working Techniques	9
Maintenance and Care	12
Maintenance and Care	13
Maintenance and Care	14
Main Parts	15
Main Parts	17
Main Parts	19

This brochure contains the safety precautions and working techniques described in the Instruction Manuals for STIHL cleaning systems. This enables even longtime cleaning system owners to familiarize themselves, in their own interest, with the latest knowledge regarding how to use the cleaning system safely.

Note that the illustrations in the chapter "Main Parts of the Machine" show the RE 108, RE 118, RE 128 PLUS, RE 521, RE 551 PLUS, and RE 581 PLUS high-pressure cleaners and the SE 122 vacuum cleaner as examples.

Other types of cleaning systems may have different operating elements.

Moreover, this brochure contains references to chapters in the Instruction Manuals for the specific machines.

Of course, this means that the reader must always also consult the Instruction Manual for the respective cleaning system.

If you still have questions after reading this brochure, please contact your STIHL dealer.



Safety Precautions and Working Techniques



The high water pressure generated and the power connection are particular sources of danger.



It is important that you carefully read the entire Instruction Manual before using the machine for the first time and keep it in a safe place for future reference. Non-compliance with the Instruction Manual may cause serious or even fatal injury.



Warning!

- Minors should never be allowed to use the high-pressure cleaner – except for young trainees over the age of 16 when working under supervision.
- The machine should only be provided or loaned to people familiar with this model and its operation. The instruction manual should always be handed over with the machine.
- Do not use the machine if anyone not wearing protective clothing is in the working area.
- Before starting any work on the machine, e. g., cleaning, servicing, replacement of parts – **unplug the power plug!**

Observe the national safety regulations issued, for example, by the employers' liability insurance association, social security institutions, occupational safety and health authorities or other organizations.

When not using the machine, it must be put down in such a way that it does not endanger anyone. Ensure that the machine cannot be used without authorization, unplug the power cord.

The user is responsible for accidents or risks involving third parties or their property.

If using the machine for the first time: Have your STIHL dealer or another expert show you how to use it safely.

In some countries, operation of machines that emit noise may be restricted by municipal regulations. Observe national regulations.

Unsuitable extension cords may be dangerous. When working outdoors, use only extension cords that are approved for this use and correspondingly marked and have a sufficient cross-section.

Never touch the power plug, power cord and extension cord and electrical plug connections with wet hands.

Always check that the machine is in good working order before starting work. Pay particular attention to the power cord, mains plug, high-pressure hose, spray attachment and safety mechanisms.

Never operate the machine with a defective high-pressure hose – ensure that it is replaced immediately.

The machine may only be used when all parts are in perfect working order.

The high-pressure hose must not be driven over, pulled, buckled or twisted.

Never pull the high-pressure hose or the power cord in order to move the machine.

The high-pressure hose must be approved for the permissible excess pressure of the machine.

The permissible excess pressure, the maximum permitted temperature and the date of manufacture are stated on the cladding of the high-pressure hose. The permissible pressure and date of manufacture are specified on the fittings.

Accessories and spare parts



Warning!

- High-pressure hoses, fittings and couplings are important for machine safety. Only high-pressure hoses, fittings, couplings and other accessories which have been approved by STIHL for this machine or technically equivalent parts may be mounted on the machine. Contact a servicing dealer if in doubt. Use only high-quality accessories, in order to avoid the risk of accidents or damage to the machine.
- STIHL recommends the use of genuine STIHL parts and accessories. These have been optimized for the product and the user's requirements.

Never modify the machine in any way, as this could be extremely dangerous. STIHL excludes all liability for personal injury and damage to property caused while using unauthorized attachments.

Physical suitability

The machine may only be operated by people who are fit, in good physical health and in good mental condition. If you have any condition that might be aggravated by strenuous work, check with your doctor before operating a machine.

Anyone who has consumed alcohol, medicines affecting their ability to react or drugs must not operate the machine.

Applications

The high-pressure cleaner can be used to clean motor vehicles, machines, tanks, facades or stables and to remove rust without dust or sparks.

Other uses are not permitted and may lead to accidents or damage to the machine.

Clothing and equipment

Wear shoes with non-slip soles.



Wear goggles and protective clothing. STIHL recommends that a boilersuit be worn in order to reduce the risk of injury due to accidental exposure to the high-pressure jet.

Transporting the machine

When transporting the machine in or on a vehicle, it must be secured, e.g. with straps, so that it cannot slip or tip over.

Antifreeze is recommended if the machine and accessories are to be transported at temperatures near or below 0° C (32 °F) – see "Storing the Machine".

Detergents



Warning!

- Unsuitable detergents can cause damage to health, as well as to the machine and the object to be cleaned. Contact a servicing dealer if in doubt.
- STIHL recommends the use of genuine STIHL detergents. Follow the instructions for use.
- Chemical detergents may contain physiologically harmful (toxic, caustic, irritant), flammable or explosive substances. In the event of skin or eye contact with detergent, flush the affected body parts with plenty of clean water immediately. If detergent is swallowed, seek medical attention immediately. **Note the manufacturer's safety data sheets!**

Detergents should always be used in the proportions specified by the manufacturer.

Before starting work



Do not connect the high-pressure cleaner directly to the drinking water main.

Only connect the high-pressure cleaner to the drinking water main in conjunction with a backflow preventer – see "Special accessories".

 **Warning!**

- If drinking water has passed through the backflow preventer, it can no longer be regarded as drinking water.

Do not use the machine with dirty water.

If there is a risk that dirty water will occur (e. g., flowing sand), an appropriate water filter must be used.

Inspecting the high-pressure cleaner

 **Warning!**

- The high-pressure cleaner should only be used if it is in full working order – **risk of accident!**
- It must be possible to move the switch to the **0** position easily
- The switch must be in the **0** position
- Inspect the high-pressure hose, spray attachment and safety mechanisms for damage
- High-pressure hose and spray attachment in good condition (clean, moving easily) and correctly assembled
- For good control of the machine, the handles should be clean and dry with no oil or dirt on them
- Never attempt to modify the controls or safety devices

Electrical connection

 **Warning!**

Minimize the risk of electrical shock:

- Voltage and frequency of the machine (see rating plate) must match the voltage and frequency of the mains supply
- Examine the power cord, power plug and extension cord for damage. Damaged cords, couplings and plugs or power cords that do not comply with the regulations must not be used
- Only connect the machine to a correctly installed power socket
- The insulation on the power cord and any extension cord, the plug and the coupling must be fully intact

 **Warning!**

Route the power cord and extension cord properly:

- Observe the minimum cross-section of the individual cords – see "Connecting the machine to the power supply"
- Route and mark the power cord so that it cannot become damaged and no one is endangered – **danger of stumbling!**
- The connector and coupling of the extension cord must be waterproof or routed in such a way that they cannot come into contact with water – the connector and coupling of the extension cord must not lie in water
- don't let the cord rub against edges or pointed or sharp objects
- don't squeeze the cord under doors or windows

- if cords become snarled – unplug the power plug and unsnarl the cord
- always unroll the power cord from the cable drum completely to avoid risk of fire due to overheating

During work

 **Warning!**

- Never draw in fluids containing solvents or undiluted acids and solvents (e. g., gasoline, heating oil, paint thinner or acetone). These substances damage the materials used in the machine. The spray is highly combustible, explosive and poisonous.



Never direct the high-pressure jet or water hose against the machine itself or against other electrical appliances and equipment – **danger of short-circuiting!**



Never direct the high-pressure jet or water hose against electrical equipment, connections and power cords – **danger of short-circuiting!**



Never direct the high-pressure jet against yourself or other people, not even to clean clothing or shoes – **risk of injury!**

Ensure you always have a firm and safe footing.

Beware of **slipping** on ice, water, snow or uneven ground!

Keep the high-pressure cleaner as far away as possible from the object being cleaned.

The machine may only be operated in an upright position. Do not cover the machine and ensure adequate motor ventilation.



The plug must be disconnected immediately if the cord is damaged – **danger of electrocution!**

Do not direct the high-pressure jet against animals.

Do not direct the high-pressure jet onto places you cannot see.

Children, animals and bystanders must remain at a distance.

Hazardous substances (e. g., asbestos or oil) must not be allowed to escape into the environment unchecked when working with the machine. The applicable environmental regulations must be observed without fail.

Surfaces of asbestos cement must never be cleaned with a high-pressure jet. Hazardous, breathable asbestos fibers may be released in addition to the dirt. The danger is greatest when the washed surface has dried.

Delicate parts made of rubber, fabric or similar materials must not be cleaned with a pencil jet, e. g., from the rotary nozzle. Maintain a sufficient distance between the high-pressure hose and the surface when cleaning to avoid any damage to the surface being cleaned.

The trigger on the spray gun must move easily and automatically return to its starting position when released.

Hold the spray attachment firmly with both hands in order safely to withstand the kickback force and additional torque produced when using spray attachments with angled spray lance.

Ensure that the power cord and the high-pressure hose are not damaged by being driven over, squashed or pulled; protect them against heat and oil.

Do not touch the power cord with the high-pressure jet.

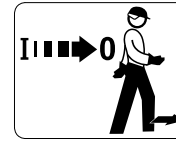
If the machine is subjected to unusually high loads for which it was not designed (e.g., heavy impact or a fall), always check that it is in good condition before continuing work - refer also to the chapter "Before starting work". Also make certain that the safety mechanisms are working properly. Never continue using a machine that is not in perfect working order. Consult a servicing dealer if in doubt.

Before leaving the machine: Switch off the machine – unplug the power cord.

Safety equipment

When the safety equipment is activated, excessive pressure is returned to the intake side of the pump via a safety valve. This safety feature has been set by the manufacturer and must not be adjusted.

After finishing work



Switch off the machine before leaving it!

- Unplug the power plug from the socket
- Disconnect water intake hose between machine and water supply

Never unplug the power plug by pulling on the cord: always grip the plug itself.

Safety Precautions and Working Techniques



The high water pressure generated and the power connection are particular sources of danger.



It is important that you carefully read the entire Instruction Manual before using the machine for the first time and keep it in a safe place for future reference. Non-compliance with the Instruction Manual may cause serious or even fatal injury.

Observe the national safety regulations issued, for example, by the employers' liability insurance association, social security institutions, occupational safety and health authorities or other organizations.

When not using the machine, it must be put down in such a way that it does not endanger anyone. Ensure that the unit cannot be used without authorization, unplug the power cord.

The user is responsible for accidents or risks involving third parties or their property.

Anyone using a high-pressure cleaner for the first time: Have your STIHL dealer or another expert show you how to use it safely.

Minors should never be allowed to use the machine – except for young trainees over the age of 16 when working under supervision.

Do not use the machine if anyone not wearing protective clothing is in the working area.

The machine should only be provided or loaned to people familiar with this model and its operation. The instruction manual should always be handed over with the machine.

In some countries, operation of machines that emit noise may be restricted by municipal regulations. Observe national regulations.

Unsuitable extension cords may be dangerous. When working outdoors, use only extension cords that are approved for this use and correspondingly marked and have a sufficient cross-section.

Never touch the power plug, power cord and extension cord and electrical plug connections with wet hands.

Always check that the machine is in good working order before starting work. Pay particular attention to the power cable, mains plug, high-pressure hose, spray attachment and safety mechanisms.

Never operate the machine with a defective high-pressure hose – ensure that it is replaced immediately.

The high-pressure hose must not be driven over, pulled, buckled or twisted.

Never pull the high-pressure hose or the extension cord in order to move the machine.

The high-pressure hose must be approved for the permissible excess pressure of the machine.

The permissible excess pressure, the maximum permitted temperature and the date of manufacture are stated on the cladding of the high-pressure hose. The permissible pressure and date of manufacture are specified on the fittings.

Accessories and spare parts

High-pressure hoses, fittings and couplings are important for machine safety. Only high-pressure hoses, fittings, couplings and other accessories which have been approved by STIHL for this machine or technically equivalent parts may be mounted on the machine. Contact a dealer if in doubt. Use only high-quality accessories, in order to avoid the risk of accidents or damage to the machine.

STIHL recommends the use of genuine STIHL parts and accessories. These have been optimized for the product and the user's requirements.

Never modify the machine in any way, as this could be extremely dangerous. STIHL excludes all liability for personal injury and damage to property caused while using unauthorized attachments.

Physical suitability

The machine may only be operated by people who are fit, in good physical health and in good mental condition. If you have any condition that might be aggravated by strenuous work, check with your doctor before operating a machine.

Anyone who has consumed alcohol, medicines affecting their ability to react or drugs must not operate the machine.

Applications

The high-pressure cleaner can be used to clean motor vehicles, machines, tanks, facades or stables and to remove rust without dust or sparks.



For reasons of hygiene, the machine is not suitable for cleaning surfaces that come into contact with foodstuffs.

Other uses are not permitted and may lead to accidents or damage to the machine.

Clothing and equipment

Wear shoes with non-slip soles.



Wear goggles and protective clothing. STIHL recommends that a boilersuit be worn in order to reduce the risk of injury due to accidental exposure to the high-pressure jet.

Transporting the machine

When transporting the machine in or on a vehicle, it must be secured, e.g. with straps, so that it cannot slip or tip over and the brake must be engaged.

Antifreeze is recommended if the machine and accessories are to be transported at temperatures near or below 0° C (32 °F) – see “Storage”.

Detergent

Unsuitable detergents can cause damage to health, as well as to the machine and the object to be cleaned. Contact a dealer if in doubt.

STIHL recommends the use of genuine STIHL detergents. Follow the instructions for use.

Chemical detergents may contain physiologically harmful (toxic, caustic, irritant), flammable or explosive substances. **Note the manufacturer's safety data sheets!**

Detergents should always be used in the proportions specified by the manufacturer.

Before starting work

Do not use the machine with dirty water.

If there is a risk that dirty water will occur (e. g., flowing sand), an appropriate water filter must be used.

Switch off the machine before filling with fuel.

The fuel tank may only be filled when the machine is switched off and the heat exchanger is cold. Do not smoke and keep the machine away from naked lights.

Inspecting the high-pressure cleaner

The high-pressure cleaner should only be used if it is in full working order – **risk of accident!**

- It must be possible to move the switch to the **0** position easily
- The switch must be in the **0** position
- Inspect the high-pressure hose, spray attachment and safety mechanisms for damage
- High-pressure hose and spray attachment in good condition (clean, moving easily) and correctly assembled
- For good control of the machine, the handles should be clean and dry with no oil or dirt on them
- Check the oil level
- Never attempt to modify the controls or safety devices

Electrical connection

Minimize the risk of electrical shock:

- Voltage and frequency of the machine (see rating plate) must match the voltage and frequency of the mains supply
- Examine the power cord, power plug and extension cord for damage. Damaged cords, couplings and plugs or power cords that do not comply with the regulations must not be used
- Only connect the machine to a correctly installed power socket
- The insulation on the power cord and any extension cord, the plug and the coupling must be fully intact

Route the power cord and extension cord properly:

- Observe the minimum cross-section of the individual cords – see "Connecting the machine to the power supply"
- Route and mark the power cord so that it cannot become damaged and no one is endangered – **danger of stumbling!**
- The connector and coupling of the extension cord must be waterproof or routed in such a way that they cannot come into contact with water – the connector and coupling of the extension cord must not lie in water
- don't let the cord rub against edges or pointed or sharp objects
- don't squeeze the cord under doors or windows
- if cords become snarled – unplug the power plug and unsnarl the cord
- always unroll the power cable from the cable drum completely to avoid risk of fire due to overheating

During work

Ensure you always have a firm and safe footing.

Beware of **slipping** on ice, water, snow or uneven ground!

Keep the high-pressure cleaner as far away as possible from the object being cleaned.

Do not cover the machine and ensure adequate motor ventilation.

No smoking when working with or near the machine - **risk of fire!** The fuel tank may give off inflammable vapors.

In hot-water operation, do not touch metal parts of the spray attachment and the heat exchanger – **Danger of burns!**

Do not lean over the exhaust gas outlet and keep all parts of the body well clear of the exhaust gas outlet. Do not cover the exhaust gas outlet – **Risk of burns and explosions!**



Toxic exhaust gases are produced in hot-water operation; these gases may be odorless and invisible. Never operate the machine in enclosed or poorly ventilated rooms.



The plug must be disconnected immediately if the cord is damaged – **danger of electrocution!**



Never direct the high-pressure jet or water hose against the machine itself or against other electrical appliances and equipment – **danger of short-circuiting!**



Never direct the high-pressure jet or water hose against electrical equipment, connections and power cables – **danger of short-circuiting!**



Never direct the high-pressure jet against yourself or other people, not even to clean clothing or shoes – **risk of injury!**

Do not direct the high-pressure jet against animals.

Do not direct the high-pressure jet onto places you cannot see.

Children, animals and bystanders must remain at a distance.

Hazardous substances (e. g., asbestos or oil) must not be allowed to escape into the environment unchecked when working with the machine. The applicable environmental regulations must be observed without fail.

Surfaces of asbestos cement must never be cleaned with a high-pressure jet. Hazardous, breathable asbestos fibers may be released in addition to the dirt. The danger is greatest when the washed surface has dried.

Never draw in fluids containing solvents or undiluted acids and solvents (e. g., gasoline, heating oil, paint thinner or acetone). These substances damage the materials used in the machine. The spray is highly combustible, explosive and poisonous.

Delicate parts made of rubber, fabric or similar materials must not be cleaned with a pencil jet, e. g., from the rotary nozzle. Maintain a sufficient distance between the high-pressure hose and the surface when cleaning to avoid any damage to the surface being cleaned.

The trigger on the spray gun must move easily and automatically return to its starting position when released.

Hold the spray attachment firmly with both hands in order safely to withstand the kickback force and additional torque produced when using spray attachments with angled spray lance.

Ensure that the power cable and the high-pressure hose are not damaged by being driven over, squashed or pulled; protect them against heat and oil.

Do not touch the power cord with the high-pressure jet.

Safety equipment

When the safety equipment is activated, excessive pressure is returned to the intake side of the pump via a safety valve. This safety feature has been set by the manufacturer and must not be adjusted.

After finishing work

Never unplug the power plug by pulling on the cord: always grip the plug itself.

If the machine is subjected to unusually high loads for which it was not designed (e. g., heavy impact or a fall), always check that it is in good condition before continuing work - refer also to the chapter "Before starting work".

In particular, make certain that the safety mechanisms are working properly. Never use the machine if it is not in good condition. Consult a servicing dealer if in doubt. STIHL recommends STIHL servicing dealers.

Before leaving the machine:

- Switch off machine
- Unplug the power plug from the socket
- Disconnect water intake hose between machine and water supply

Safety Precautions and Working Techniques



Special safety precautions are necessary when using this machine. The power connection is a particular source of danger.



It is important that you carefully read the entire Instruction Manual before using the machine for the first time and keep it in a safe place for future reference. Non-compliance with the Instruction Manual may cause serious or even fatal injury.

Observe the national safety regulations issued, for example, by the employers' liability insurance association, social security institutions, occupational safety and health authorities or other organizations.

Minors should never be allowed to use the machine.

Children, animals and bystanders must remain at a distance.

When not using the machine, it must be put down in such a way that it does not endanger anyone. Ensure that the machine cannot be used without authorization, unplug the power cord.

The user is responsible for accidents or risks involving third parties or their property.

Do not let the machine run unattended.

The machine should only be provided or loaned to people familiar with this model and its operation. The instruction manual should always be handed over with the machine.

Connect only electric power tools to the socket outlet – see "Connecting the machine to the power supply" and "Operation".

Unsuitable extension cords may be dangerous. When working outdoors, use only extension cords that are approved for this use and correspondingly marked and have a sufficient cross-section.

Never touch the power plug, power cord and extension cord and electrical plug connections with wet hands.

Inspect the power cord regularly for signs of damage and aging. Never use the machine if the power cord is damaged – **Danger of electrocution!**

The machine may only be used when all parts are in perfect working order.

Before starting any work on the machine, e. g., cleaning, servicing, replacement of parts – **unplug the power plug!**

Do not use high-pressure cleaners to clean the machine. The hard water jet can damage parts of the machine.

Never spray the upper part of the vacuum cleaner with water – **Danger of short-circuiting!**

Accessories and spare parts

Only use parts or accessories which have been approved by STIHL for this machine or which are technically

equivalent. Contact a dealer if in doubt. Only use high-quality parts and attachments. in order to avoid the risk of accidents or damage to the machine.

STIHL recommends the use of genuine STIHL parts and accessories. These have been optimized for the product and the user's requirements.

Never modify the machine in any way, as this could be extremely dangerous. STIHL excludes all liability for personal injury and damage to property caused while using unauthorized attachments.

Applications

Vacuuming of dry, non-flammable materials (dust, dirt, broken glass, wood or metal shavings, sand, etc.) and non-flammable liquids (dirty water, spilled juices, etc.)



Never use the machine to vacuum hot materials (hot ash, flammable explosive dust, glowing cigarette butts, etc.) or combustible liquids (gasoline, thinner, etc.) as well as aggressive liquids (acids, lye) – **Danger of fire or explosion!**

The machine is not suitable for vacuuming toxic dust.

Other uses are not permitted and may lead to accidents or damage to the machine. The machine must not be modified in any way – this may also lead to accidents or damage to the machine.

Transporting the machine

When transporting the machine in or on a vehicle, it must be secured, e.g. with straps, so that it cannot slip or tip over.

Do not tilt the machine if there is liquid in the container.

Close all latches on the container before transport.

Before starting work

Check the machine

The machine should only be used if it is in good working order – **risk of accident!**

- It must be possible to move the switch to the **0** position easily.
- The switch must be in the **0** position.

Remove the filter bag and check correct operation of the float before vacuuming liquids or wet materials. Never work without the filter element.

Never attempt to modify the controls or safety devices

Electrical connection

Minimize the risk of electrical shock:

- Voltage and frequency of the machine (see rating plate) must match the voltage and frequency of the mains supply
- Examine the power cord, power plug and extension cord for damage. Damaged cords, couplings and plugs or power cords that do not comply with the regulations must not be used

- Only connect the machine to a correctly installed power socket
- Use only extension cords that comply with the specifications for the respective application.
- The insulation on the power cord and any extension cord, the plug and the coupling must be fully intact

Route the power cord and extension cord properly:

- Observe the minimum cross-section of the individual cords – see "Connecting the machine to the power supply"
- Route and mark the power cord so that it cannot become damaged and no one is endangered – **danger of stumbling!**
- The connector and coupling of the extension cord must be waterproof or routed in such a way that they cannot come into contact with water – the connector and coupling of the extension cord must not lie in water
- don't let the cord rub against edges or pointed or sharp objects
- don't squeeze the cord under doors or windows
- if cords become snarled – unplug the power plug and unsnarl the cord
- always unroll the power cord from the cable drum completely to avoid risk of fire due to overheating

During work



If the power cord is damaged, unplug it immediately – **danger of electrocution!**

Ensure that the power cord is not damaged by being driven over, squashed or pulled, etc.

Never unplug the power plug by pulling on the cord: always grip the plug itself.

The power cord and power plug must never be touched with wet hands.

Never spray electrical devices with water – **Danger of short-circuiting!**

In the event of imminent danger or in an emergency – move switch to **0**.

Never let the machine run unattended.

Do not leave the machine standing in the rain.

The machine may only be operated in an upright position. Do not cover the machine and ensure adequate motor ventilation.

Ensure that the filter element is always undamaged.

If foam develops or liquid escapes, stop work immediately, unplug the power cord, and empty the container.

If the machine is subjected to unusually high loads for which it was not designed (e.g., heavy impact or a fall), always check that it is in good condition before continuing work - refer also to the chapter "Before starting work". Also make certain that the safety mechanisms are working properly.

Never continue using a machine that is not in perfect working order. Consult a servicing dealer if in doubt.

Before leaving the machine: Switch off the machine – unplug the power cord.

After finishing work

Unplug the power plug from the socket

Never unplug the power plug by pulling on the cord: always grip the plug itself.

Clean the machine to remove dust and dirt – do not use degreasing agents.

Maintenance and Care

The following maintenance intervals apply in normal operating conditions. The specified intervals must be shortened accordingly for longer daily working hours. If the machine is only used occasionally, the intervals can be extended accordingly.		before starting work	at the end of work and/or daily	monthly	if damaged	as required
Complete machine	visual inspection (condition, leaks)	X				
	clean		X			X
Connectors on high-pressure hose	clean		X			X
	grease					X
Plug-type coupling of the spray lance and the coupling sleeve of the spray gun	clean	X				X
Water intake screen in the high-pressure inlet	clean			X		X
	replace				X	
High pressure nozzle	clean		X			
	replace				X	
Ventilation openings	clean					X
Machine supports	check					X
	replace				X	

Maintenance and Care

The following maintenance intervals apply in normal operating conditions. The specified intervals must be shortened accordingly for longer daily working hours. If the machine is only used occasionally, the intervals can be extended accordingly.		Whenever tank is refilled	at the end of work and/or daily	weekly or every 40 hours of operation	monthly	quarterly or every 200 hours of operation	every six months or every 500 hours of operation	if faulty	if damaged	as required
Complete machine	Visual inspection (condition, leaks)	X								
	clean		X							X
Oil level of the high-pressure pump	check			X						
Oil of the high-pressure pump	change						X			
Connectors on high-pressure hose	clean		X							X
	grease									X
Plug-type coupling of the spray lance and the coupling sleeve of the spray gun	clean	X								X
Clean ignition system, transformer, cable, electrodes, flame sensor (if present)	clean ¹⁾						X			
Fuel tank	clean ¹⁾						X			
Replace	clean						X			X
	replace						X			X
Solenoid valve	clean ¹⁾						X			
Fuel nozzles	replace						X			
Screens in water tank / high-pressure inlet	clean									X
High pressure nozzle	clean									X
	replace								X	
Ventilation openings	clean									X
Heat exchanger	clean ¹⁾					X				
Descale ^{1) 2)}		When working pressure in hot-water operation is exceeded by more than 10 bar								

¹⁾ This work may only be undertaken by a servicing dealer – STIHL recommends STIHL servicing dealers

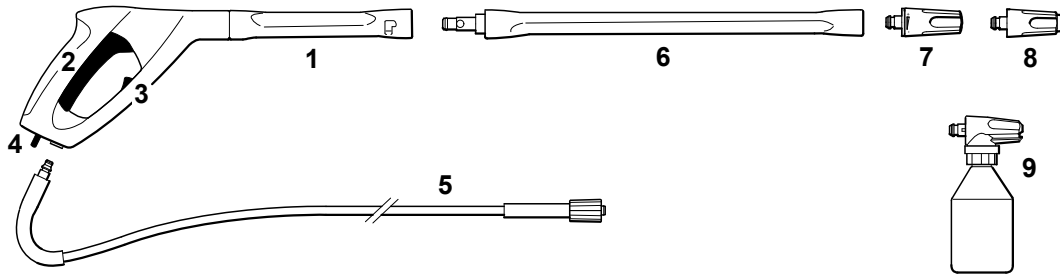
²⁾ Under normal operating conditions it is not necessary to descale the machine if STIHL scale inhibitor is used consistently

Maintenance and Care

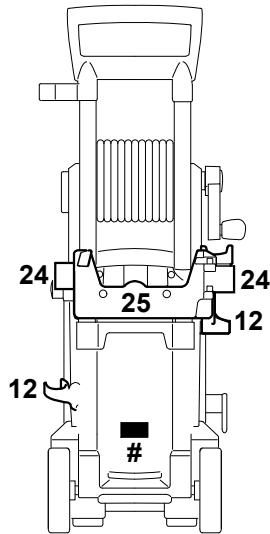
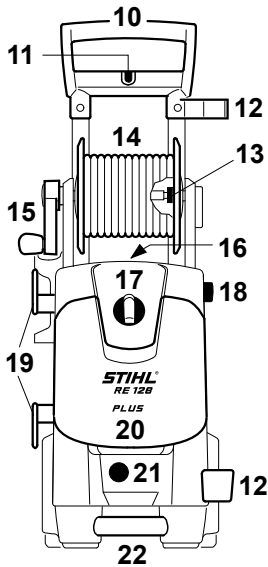
The following maintenance intervals apply in normal operating conditions. The specified intervals must be shortened accordingly when working for longer than normal or under difficult cutting conditions (extensive dust, etc.).		before starting work	at the end of work and/or daily	Weekly	monthly	if faulty	if damaged	as required
Complete machine	visual inspection (condition)	X						
	clean		X					
Connecting cable	check	X						
	have them replaced by a specialist dealer ¹⁾						X	
Switch	check operation	X						
	have them replaced by a specialist dealer ¹⁾					X	X	
Ventilation slots in motor housing	clean							X
Filter bag	change							X
Filter element	clean							X
	replace						X	
Container	empty		X					
All accessible screws, nuts and bolts	retighten							X
Safety information sticker	replace						X	

¹⁾ STIHL recommends STIHL servicing dealers

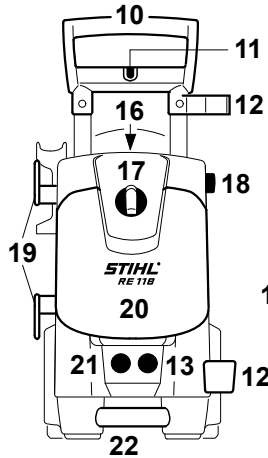
Main Parts



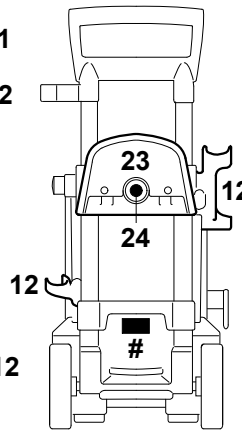
RE 128 PLUS



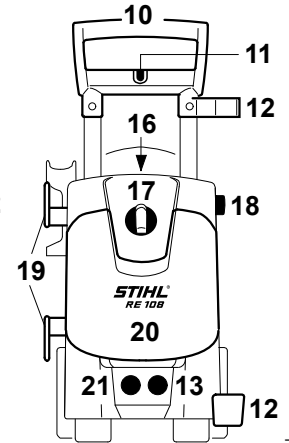
RE 118



RE 108
RE 118



RE 108

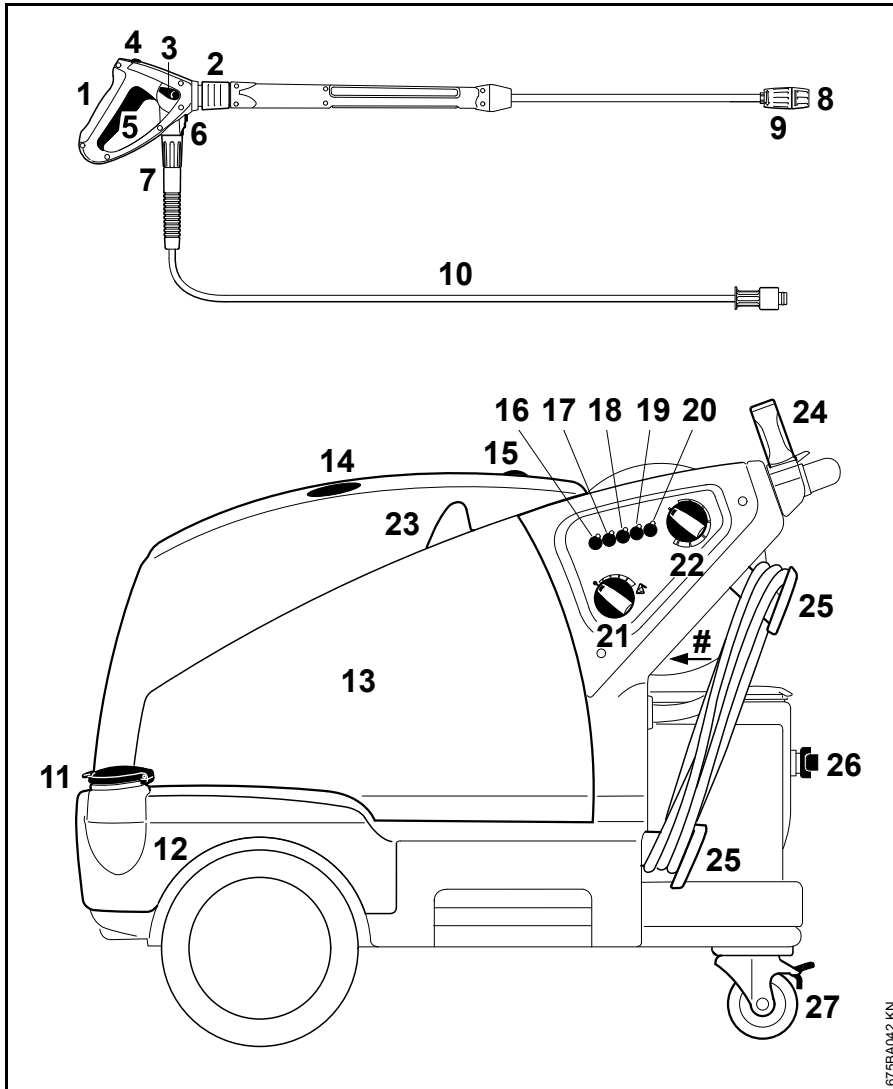


650BA/C28 KN

English

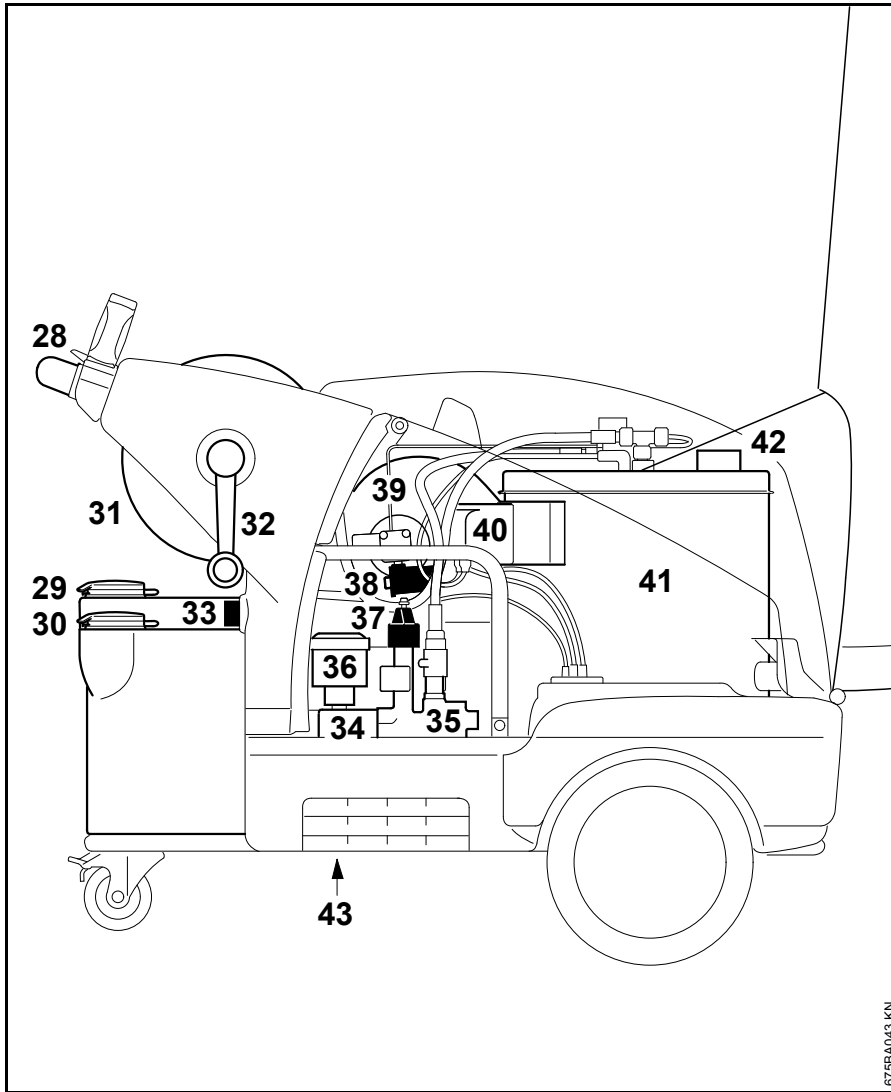
- 1 Spray gun
- 2 Lever
- 3 Safety catch
- 4 Trigger interlock
- 5 High-pressure hose
- 6 Spray lance
- 7 Fan jet nozzle, adjustable
- 8 Rotary nozzle
- 9 Spray set
- 10 Handle
- 11 Bracket for surface washing brush
- 12 Bracket for spray lance
- 13 High-pressure hose connection
- 14 Hose reel
- 15 Crank for hose reel
- 16 Bracket for cleaning pin
- 17 Machine switch
- 18 Button for height adjustment of handle
- 19 Bracket for power cable
- 20 Flap for storage compartment
- 21 Water attachment
- 22 Carrying handle
- 23 Hose holder
- 24 Bracket for spray set
- 25 Holder for flat hose cassette
- # Model plate

Main Parts



- 1 Spray gun
- 2 Coupling for spray lance
- 3 Pressure and flow control setting lever ¹⁾
- 4 Safety catch
- 5 Lever
- 6 Safety latch for high-pressure hose
- 7 Union nut for high-pressure hose
- 8 Nozzle
- 9 Selector sleeve for the working pressure
- 10 High-pressure hose
- 11 Filling port for fuel
- 12 Fuel tank
- 13 Shroud
- 14 Pressure gauge
- 15 Handle on cover
- 16 Operation indicator
- 17 Pump oil indicator ²⁾
- 18 Maintenance indicator
- 19 Scale inhibitor indicator
- 20 Fuel indicator ²⁾
- 21 Detergent metering knob
- 22 Rotary switch / temperature control
- 23 Holder for spray attachment
- 24 Holder for spray attachment
- 25 Bracket for power cord
- 26 Water inlet
- 27 Swivel wheel with brake
- # Model plate

675BA042 KN

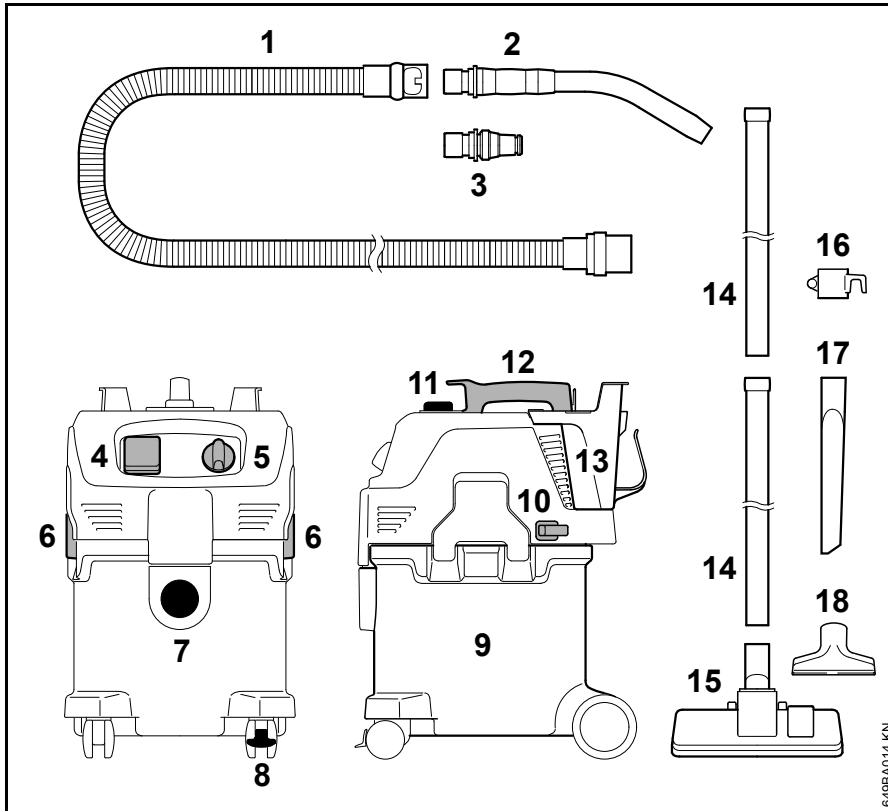


- 28 Push handle
- 29 Filling port for scale inhibitor
- 30 Filling port for antifreeze
- 31 Hose reel
- 32 Crank handle for hose reel
- 33 Connector high-pressure hose (machines without hose reel)
- 34 High-pressure pump
- 35 Regulation valve block
- 36 Expansion tank for oil
- 37 Pressure/quantity control knob
- 38 Fuel filter
- 39 Fan for combustion air
- 40 Ignition transformer
- 41 Heat exchanger
- 42 Exhaust gas outlet
- 43 Oil drain plug

675BA043 KN

-
- 1) RE 581, RE 581 PLUS only
 - 2) not on RE 521

Main Parts



- 1 Suction hose
- 2 Handle tube
- 3 Sleeve for power tools¹⁾
- 4 Socket outlet¹⁾
- 5 Switch
- 6 Latch
- 7 Connector for suction hose
- 8 Caster with brake
- 9 Container
- 10 Extension tube holder
- 11 Filter cleaning button
- 12 Handle
- 13 Hose holder
- 14 Extension tube
- 15 Floor tool
- 16 Extension tube holder
- 17 Crevice tool
- 18 All-purpose tool

¹⁾ only SE 122 E

0457-190-0121

englisch



www.stihl.com



0457-190-0121